

**Installation
And operating
Instructions**

*For Superior's
GHCE and GRDE
Series
Fireplace
Models*

Millivolt

GRDE-8038N,P

GRDE-8043N,P

GHCE-8040N,P

GHCE-8045N,P

Electronic

GRDE-8038NE,PE

GRDE-8043NE,PE

GHCE-8040NE,PE

GHCE-8045NE,PE

FOR USE IN U.S. AND CANADA

This installation manual will help you obtain a safe, efficient, dependable installation for your fireplace and vent system. Please read and understand these installation instructions before beginning your installation.

WARNING: THE GHCE AND GRDE SERIES FIREPLACES ARE VENTED DECORATIVE GAS APPLIANCES. DO NOT BURN WOOD OR OTHER MATERIAL IN THESE APPLIANCES.

Do not attempt to alter or modify the construction of the fireplace or its components. Any modification or alteration of construction may void the warranty, certification and approvals of these units.

WARNING: IMPROPER INSTALLATION, ADJUSTMENT, ALTERATION, SERVICE OR MAINTENANCE CAN CAUSE INJURY OR PROPERTY DAMAGE. REFER TO THIS MANUAL FOR ASSISTANCE OR ADDITIONAL INFORMATION CONSULT A QUALIFIED INSTALLER, SERVICE AGENCY OR THE GAS SUPPLIER.



GHCE-8000 Series

FOR YOUR SAFETY

What to do if you smell gas:

- Do not try to light any appliance.
- Do not touch any electrical switches. Do not use any phone in your building.
- Immediately call your gas supplier from a neighbor's phone. Follow the gas supplier's instructions.
- If you cannot reach your gas supplier, call the fire department.

FOR YOUR SAFETY

Do not store or use gasoline or other flammable vapors or liquids in the vicinity of this or any other appliance.

Due to high temperatures, the appliance should be located out of traffic and away from furniture or drapes.

Do not place clothing or other materials on or near the appliance.

PLEASE RETAIN THIS MANUAL FOR FUTURE REFERENCE.



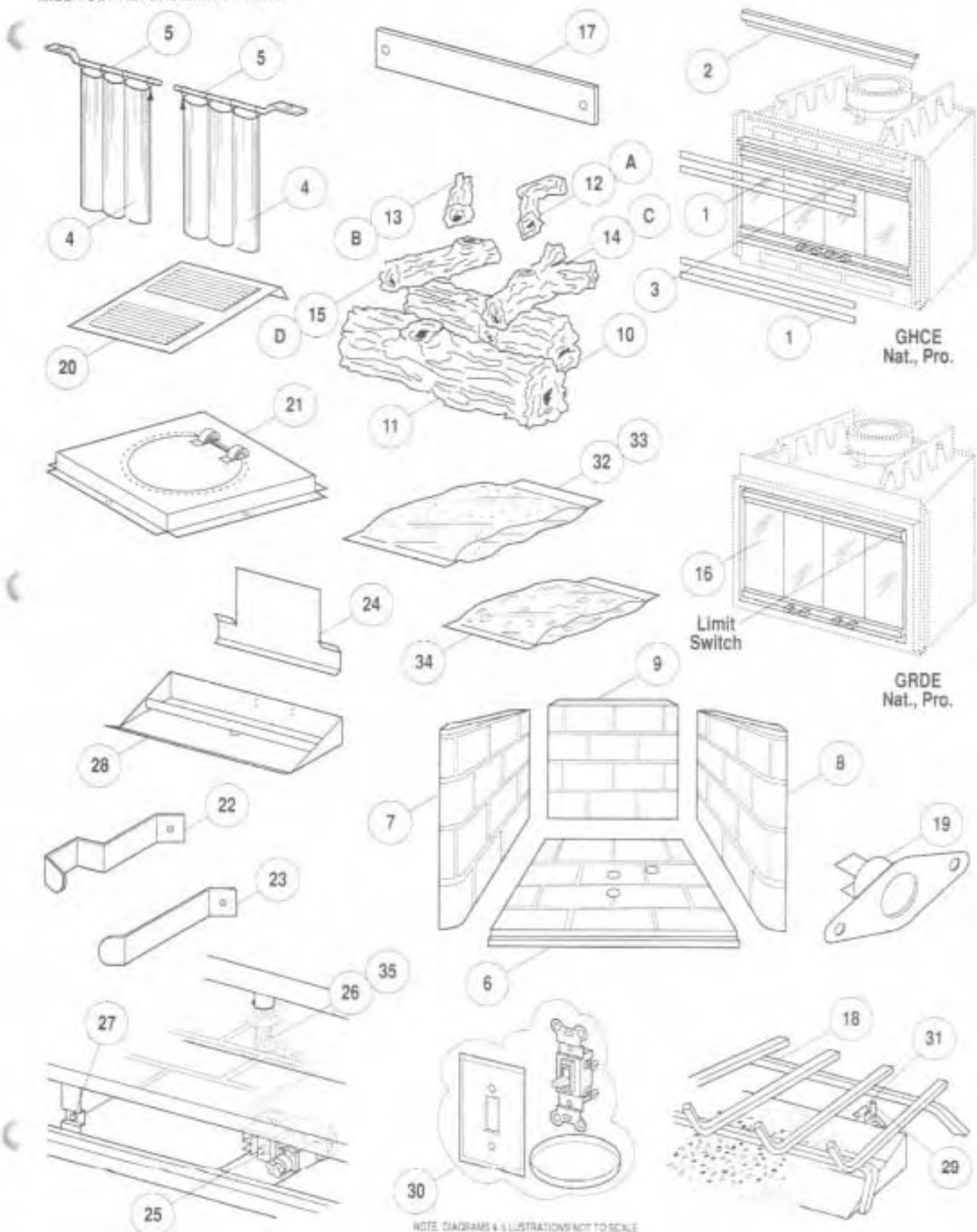
**REPLACEMENT PARTS LIST
MILLIVOLT SYSTEM**

No.	DESCRIPTION	GHCE N/P				GRDE N/P			
		8040		8045		8038		8043	
		Part No.	Qty.	Part No.	Qty.	Part No.	Qty.	Part No.	Qty.
1.	Bar, Lower	024502	4	024503	4	-	-	-	-
2.	Bar, Top	024112	1	024113	1	-	-	-	-
3.	Trim, Upper/Lower	024158	2	024159	2	-	-	-	-
4.	Panel, Screen/Pull	095883	2	095883	2	095883	2	095883	2
5.	Rod, Screen	011386	2	011386	2	011385	2	011385	2
6.	Refractory, Bottom	044441	1	044442	1	044441	1	044442	1
7.	Refractory, Left side	036061	1	036061	1	036061	1	036061	1
8.	Refractory, Right Side	036062	1	036062	1	036062	1	036062	1
9.	Refractory, Rear	036342	1	036343	1	036342	1	036343	1
10.	Log, Rear	041202	1	041202	1	041202	1	041202	1
11.	Log, Front	041205	1	041203	1	041205	1	041203	1
12.	Twig, A	041194	1	041194	1	041194	1	041194	1
13.	Twig, B	041193	1	041193	1	041193	1	041193	1
14.	Twig, C	041192	1	041192	1	041192	1	041192	1
15.	Twig, D	041191	1	041191	1	041191	1	041191	1
16.	Panel, Enclosure Assembly	039826	1	039827	1	039824	1	039825	1
17.	Plate, Cover	-	-	-	-	044541	1	044542	1
18.	Grate, Log	041013	1	041013	1	041013	1	041013	1
19.	Switch, Limit	097629	1	097629	1	097633	1	097633	1
20.	Deflector, Downdraft	044621	1	044621	1	044621	1	044621	1
21.	Damper, Assembly	044981	1	044981	1	044981	1	044981	1
22.	Bar, Extension	045281	1	045281	1	-	-	-	-
23.	Bar, Extension	-	-	-	-	045271	1	045271	1
24.	Valve Cover, Gas	032381	1	032381	1	-	-	-	-

**ROBERTSHAW CONTROLS
MILLIVOLT SYSTEM**

No.	GAS CONTROL DESCRIPTION	GHCE/GRDE N		GHCE/GRDE P	
		Part No.	Qty.	Part No.	Qty.
25.	Valve, Gas (R.S. 7000 MVR/C)	09737	1	09771	1
26.	Orifice, # (Natural), # (Propane)	096915	1	096922	1
27.	Ignitor, Piezo	091301	1	091301	1
28.	Pan, Burner Assembly	045241	1	045243	1
29.	Pilot, Generator, TP-75	097725	1	097725	1
30.	Switch, Wall	025972	1	025972	1
31.	Pilot Assembly	093761	1	093762	1
32.	Sand, Package	041161	1	-	-
33.	Vermiculite, Package	-	-	042961	1
34.	Fiber, Mineral, Package	041171	1	041171	1
35.	Orifice, Densifing Kit	040615	1	040616	1

MILLIVOLT REPLACEMENT PARTS



GHCE
Nat., Pro.

GRDE
Nat., Pro.

Limit
Switch

NOTE: DIAGRAMS & ILLUSTRATIONS NOT TO SCALE

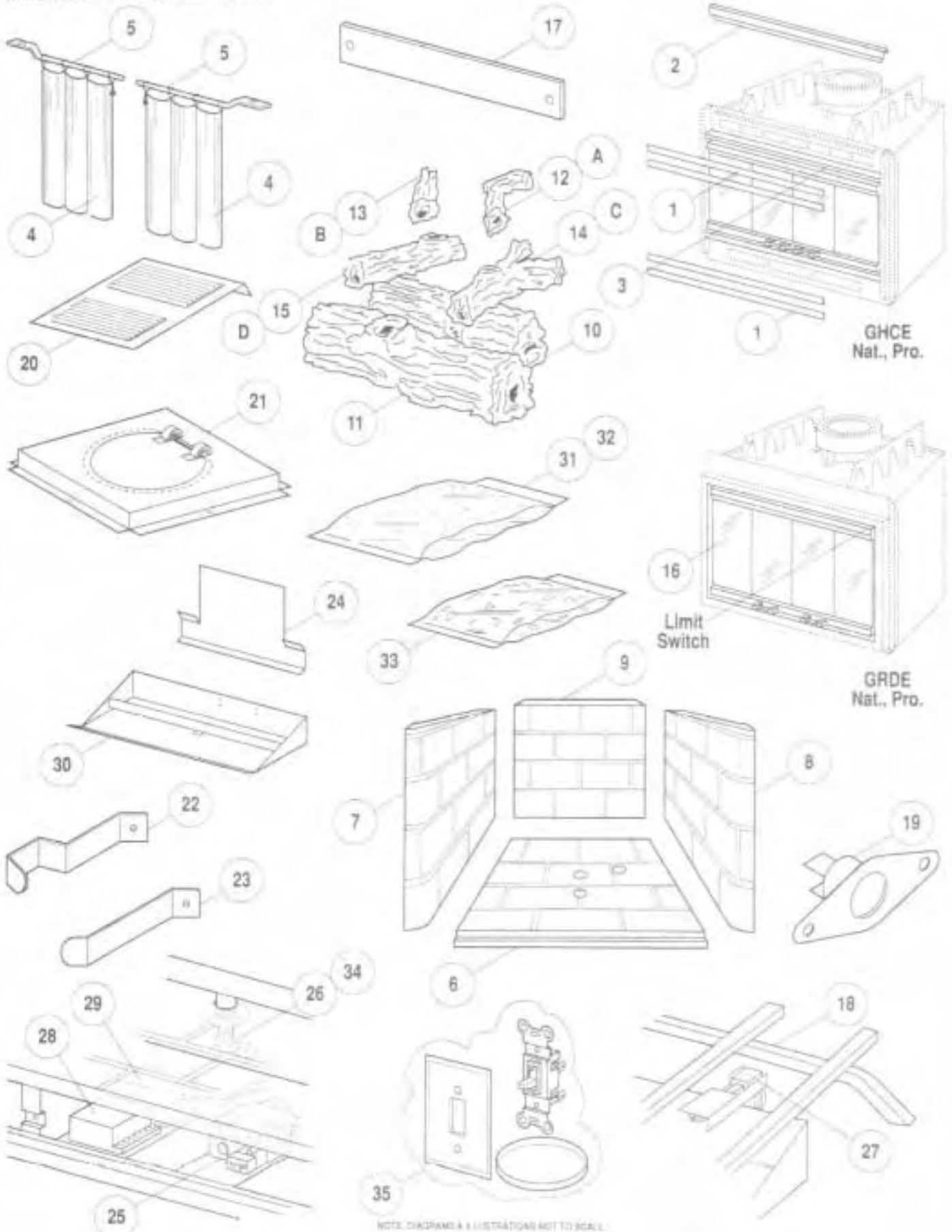
**REPLACEMENT PARTS LIST
ELECTRONIC SYSTEM**

No.	DESCRIPTION	GHCE NE/PE				GRDE NE/PE			
		8040		8045		8038		8043	
		Part No.	Qty.	Part No.	Qty.	Part No.	Qty.	Part No.	Qty.
1.	Bar, Lower	024502	4	024503	4	-	-	-	-
2.	Bar, Top	024112	1	024113	1	-	-	-	-
3.	Trim, Upper/Lower	024158	2	024159	2	-	-	-	-
4.	Panel, Screen Pull	095883	2	095883	2	095883	2	095883	2
5.	Rod, Screen	011386	2	011386	2	011385	2	011385	2
6.	Refractory, Bottom	044441	1	044442	1	044441	1	044442	1
7.	Refractory, Left side	036061	1	036061	1	036061	1	036061	1
8.	Refractory, Right Side	036062	1	036062	1	036062	1	036062	1
9.	Refractory, Rear	036343	1	036343	1	036343	1	036343	1
10.	Log, Rear	041202	1	041202	1	041202	1	041202	1
11.	Log, Front	041205	1	041203	1	041205	1	041203	1
12.	Twig, A	041194	1	041194	1	041194	1	041194	1
13.	Twig, B	041193	1	041193	1	041193	1	041193	1
14.	Twig, C	041192	1	041192	1	041192	1	041192	1
15.	Twig, D	041191	1	041191	1	041191	1	041191	1
16.	Panel, Enclosure Assembly	039826	1	039827	1	039824	1	039825	1
17.	Plate, Cover	-	-	-	-	044541	1	044542	1
18.	Grate, Log	041013	1	041013	1	041013	1	041013	1
19.	Switch, Limit	097629	1	097629	1	097693	1	097693	1
20.	Deflector, Downdraft	044621	1	044621	1	044621	1	044621	1
21.	Damper, Assembly	044381	1	044381	1	044381	1	044381	1
22.	Bar, Extension	045281	1	045281	1	-	-	-	-
23.	Bar, Extension	-	-	-	-	045271	1	045271	1
24.	Valve Cover, Gas	032381	2	032381	2	-	-	-	-

**ROBERTSHAW CONTROLS
ELECTRONIC SYSTEM**

No.	GAS CONTROL DESCRIPTION	GHCE/GRDE NE		GHCE/GRDE PE	
		Part No.	Qty.	Part No.	Qty.
25.	Valve, Gas (R.S. 7200 DEP)	094649	1	096266	1
26.	Orifice, # (Natural), # (Propane)	096915	1	096902	1
27.	Ignitor, Norton #271	097721	1	097721	1
28.	Ignition Control	094648	1	094648	1
29.	Transformer (Cin-Tran-2014)	091401	1	091401	1
30.	Pan Burner, Assembly	045241	1	045243	1
31.	Sand, Package	041161	1	-	-
32.	Vermiculite, Package	-	-	042361	1
33.	Fiber, Mineral, Package	041171	1	041171	1
34.	Orifice, Densifying Kit	040615	1	040616	1
35.	Switch, Wall	025972	1	025972	1

ELECTRONIC REPLACEMENT PARTS



NOTE: DIAGRAMS & ILLUSTRATIONS NOT TO SCALE.