

REVISED STARTING  
SERIAL # 130110169

## PARTS LIST MANUAL

# MODEL C-10

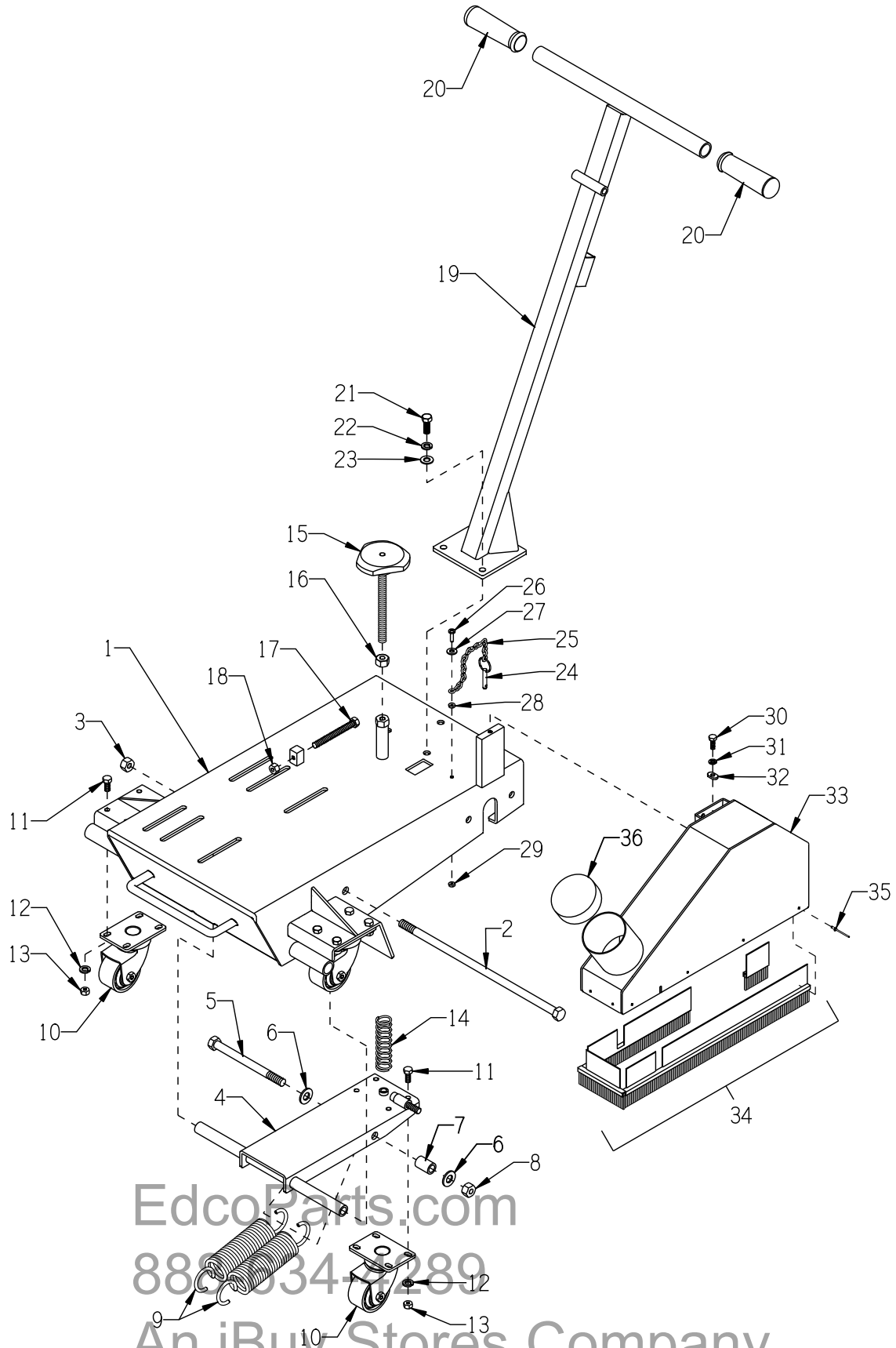


### 8" CRACK CHASING SAWS

SKU #	MODEL #	POWER OPTION
49100	C10-9H	HONDA GASOLINE ENGINE MODEL GX270
49500	C10-11H	HONDA GASOLINE ENGINE MODEL GX340
49600	C10-13H	HONDA GASOLINE ENGINE MODEL GX390
49700	C10-5/230/1	BALDOR ELECTRIC MOTOR 5HP 1-PHASE 60Hz 230V
49400-230	C10-5B/230/3	BALDOR ELECTRIC MOTOR 5HP 3-PHASE 60Hz 230V
49400-460	C10-5B/460/3	BALDOR ELECTRIC MOTOR 5HP 3-PHASE 60Hz 460V

An iBuy Stores Company

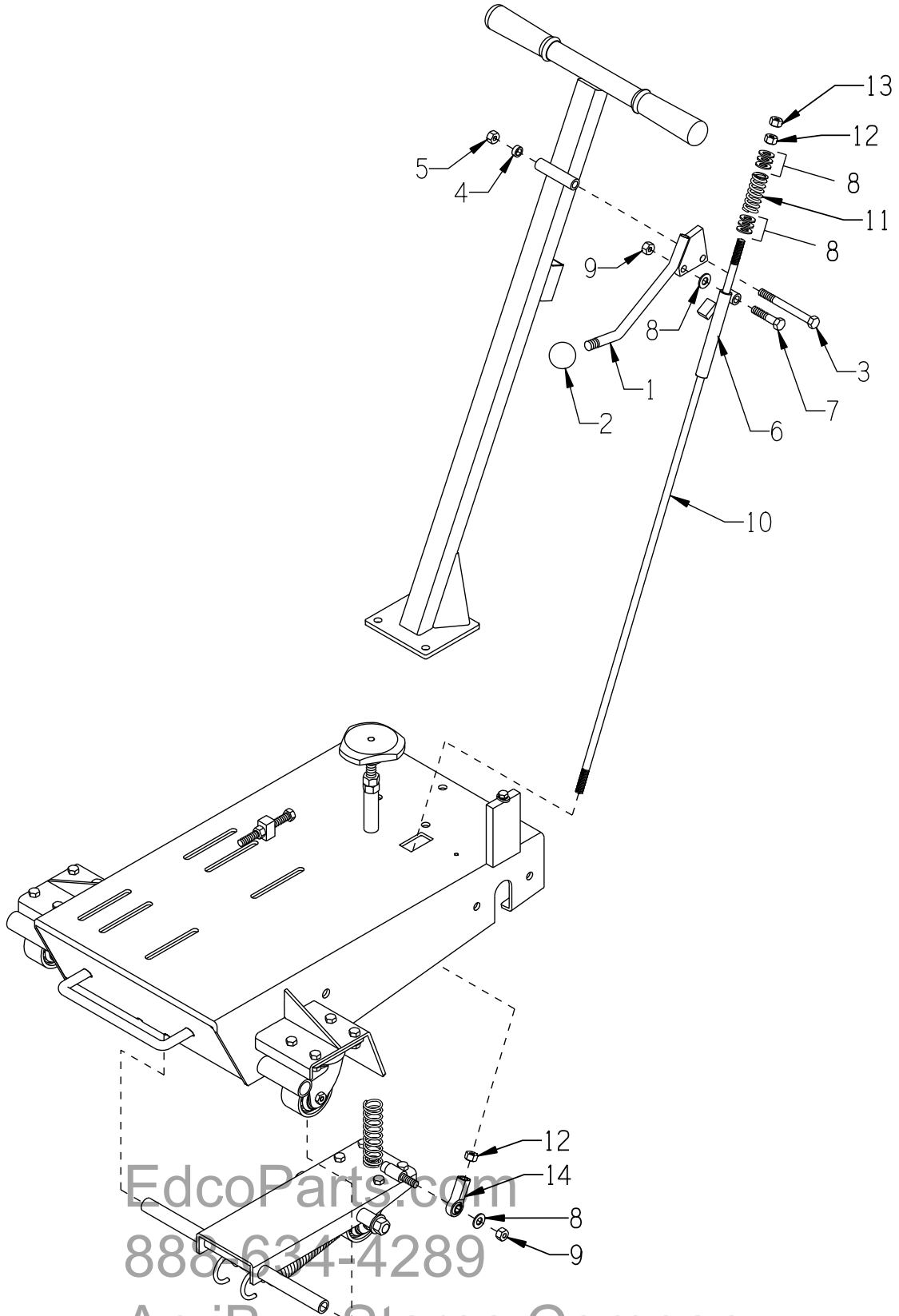
ILLUSTRATION 1: MAIN GROUPING



**PARTS LISTING - ILLUSTRATION 1 : MAIN GROUPING**

ITEM #	PART #	DESCRIPTION	QTY.
1	49001	MAIN FRAME, C-10	1
2	52014	SCREW, HEX HD CAP 1/2-13 X 14	1
3	10407	NUT, HEX LOCK 1/2-13 ZINC	1
4	49002	FORK, C-10	1
5	10329	SCREW, CAP 1/2-20 X 6	1
6	10312	WASHER, FLAT 1/2 SAE ZINC	2
7	40312	SPACER, STEEL 1/2"ID X 1-1/8"L	1
8	10205	NUT, HEX LOCK 1/2-20 ZINC	1
9	41041	SPRING, EXT. 1.75"OD X 8"L	2
10	49003	CASTER, SWIVEL 2-1/2 X 1-1/4, C-10	3
11	10053	SCREW, CAP 5/16-18 X 3/4	12
12	10213	WASHER, FLAT 5/16 SAE ZINC	12
13	10807	NUT, HEX LOCK 5/16-18 ZINC	12
14	10922	SPRING, COMP. 1"OD X 3.75"FL	1
15	49014	KNOB, CONTROL W/ 1/2-13 X 6-3/4"ROD	1
16	10417	NUT, HEX 1/2-13 ZINC	1
17	52015	BOLT, TAP 3/8-16 X 3-1/2(FULL THD.)	1
18	10404	NUT, HEX 3/8-16 ZINC	1
19	49008	HANDLE BAR, C-10	1
20	10608	GRIP, HAND 1" MODEL AT	2
21	10055	SCREW, CAP 3/8-16 X 1	3
22	10811	WASHER, LOCK 3/8 ZINC	3
23	10025	WASHER, FLAT 3/8 SAE ZINC	3
24	49016	PIN, DETENT RING 1/4 X 1 E.L.	1
25	49029	CHAIN FOR DETENT PIN 7" (9 LINKS)	1
26	10833	SCREW, MACHINE 10-32 X 3/4	1
27	10850	WASHER, FLAT #10 SAE ZINC	1
28	10460	NUT, HEX 10-32 ZINC	1
29	10832	NUT, KEPS LOCK 10-32 ZINC	1
30	10018	SCREW, CAP 1/4-20 X 3/4	1
31	10038	WASHER, LOCK 1/4 ZINC	1
32	49013	TAB, BLADE GUARD STOP, C-10	1
33	49011	GUARD, BLADE, C-10 (ONE 3" VACUUM PORT)	1
34	49012	BRUSH SEAL SET, C-10 (SET OF 4 BRUSHES: 16-9/16", 9-9/16", 4" & 2")	1
35	10128	RIVET, BLIND 1/8 X .275L X .250HD	11
36	64030	CAP, END 3" BLUE PLASTIC	1

ILLUSTRATION 2: LEVER & LINKAGE GROUPING



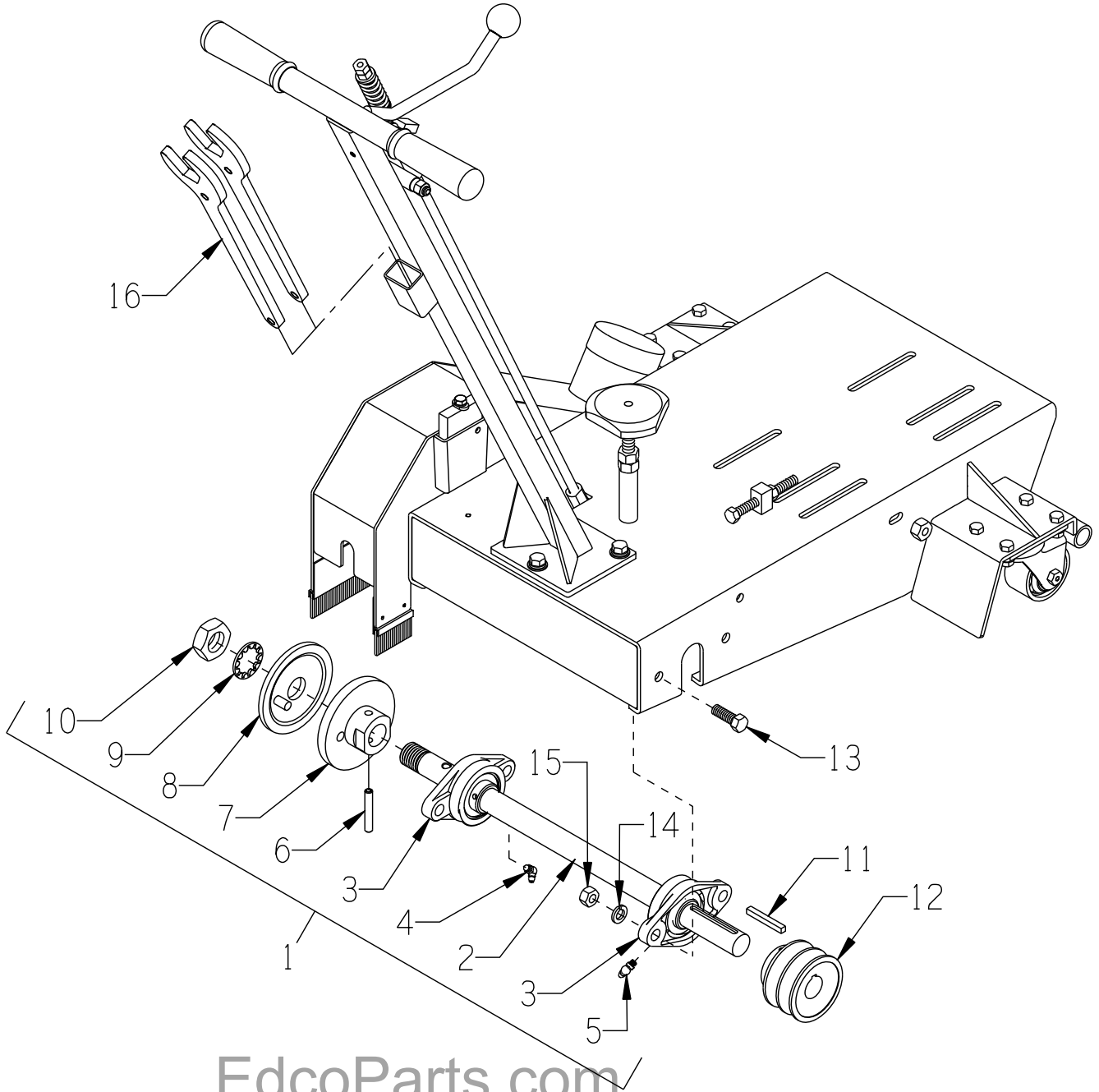
<b>PARTS LISTING - ILLUSTRATION 2: LEVER &amp; LINKAGE GROUPING</b>			
ITEM #	PART #	DESCRIPTION	QTY.
1	49007	LEVER, DISENGAGE, C-10	1
2	14023	KNOB, BALL 1-3/8 W/ 1/2-13THD, BLK.	1
3	10318	SCREW, CAP 3/8-16 X 3-3/4	1
4	10113	SPACER, STEEL 9/16OD X 3/8ID X 7/32	1
5	10156	NUT, HEX NYLON LOCK 3/8-16 ZINC	1
6	49005	LINKAGE SUPPORT, UPPER, C-10	1
7	10029	SCREW, CAP 3/8-24 X 1-3/4	1
8	10025	WASHER, FLAT 3/8 SAE ZINC (* QTY. MAY VARY)	8*
9	10156	NUT, HEX NYLON LOCK 3/8-16 ZINC	2
10	49004	LINKAGE, DISENGAGE 3/8 X 31-1/2"L	1
11	51035	SPRING, COMP. .828"OD X 2"FL	1
12	10014	NUT, HEX 3/8-24 ZINC	2
13	10058	NUT, HEX LOCK 3/8-24 W/ NYLON PATCH	1
14	10919	ROD END, FEMALE 3/8-24 R.H. THREAD	1

EdcoParts.com

888-634-4289

An iBuy Stores Company

**ILLUSTRATION 3: ARBOR ASSEMBLY**



**PARTS LISTING - ILLUSTRATION 3: ARBOR ASSEMBLY**

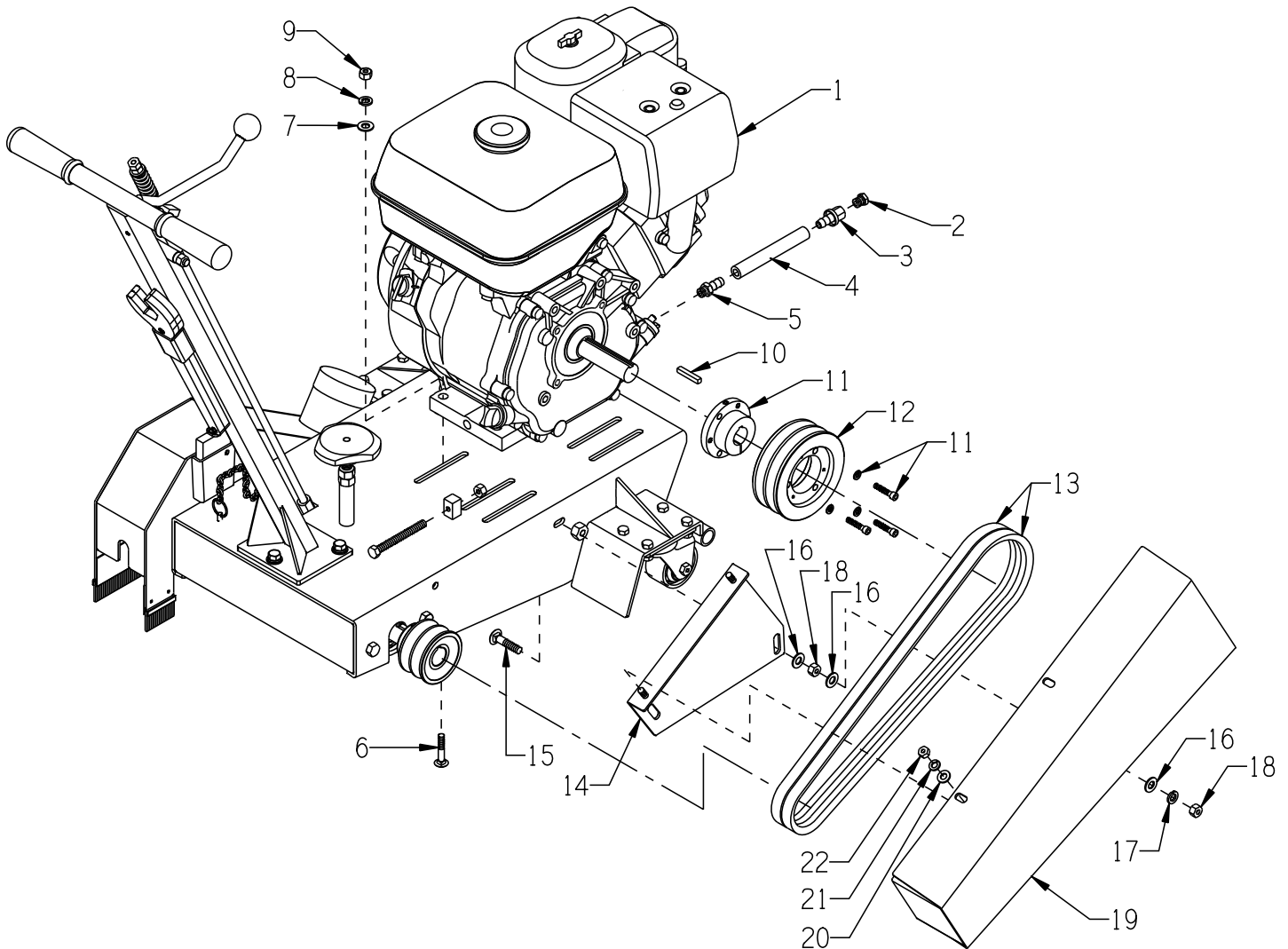
ITEM #	PART #	DESCRIPTION	QTY.
1	69050A	ARBOR ASSY. COMPLETE (INCLUDES ITEMS 2 THRU 10)	1
2	69050	ARBOR SHAFT 19-1/4"L	1
3	62022	BEARING, BALL 1" 2-HOLE FLANGE	2
4	10961	FITTING, GREASE 1/4-28 X 90°	1
5	10960	FITTING, GREASE 1/4-28 X 45°	1
6	10211	PIN, ROLL 5/16 X 2	1
7	56026	ARBOR BACKING PLATE 4"	1
8	56025	ARBOR BLADE CAP 4"OD W/1"HOLE	1
9	55009	WASHER, LOCK, INT. TOOTH 1"	1
10	50019	NUT, HEX JAM 1-14 ZINC GRADE A	1
11	10115	KEY 1/4SQ X 2	1
12	79024	SHEAVE 3"OD X 2GR.B X 1"BORE	1
13	10003	SCREW, CAP 7/16-20 X 1-1/4 ZINC	4
14	10450	WASHER, LOCK 7/16 ZINC	4
15	10481	NUT, HEX 7/16-20 ZINC	4
16	50445	WRENCH, ARBOR, 1-1/2" OPEN END	2

EdcoParts.com

888-634-4289

An iBuy Stores Company

ILLUSTRATION 4: ENGINE & BELT DRIVE GROUPING



EdcoParts.com

888-634-4289

An iBuy Stores Company

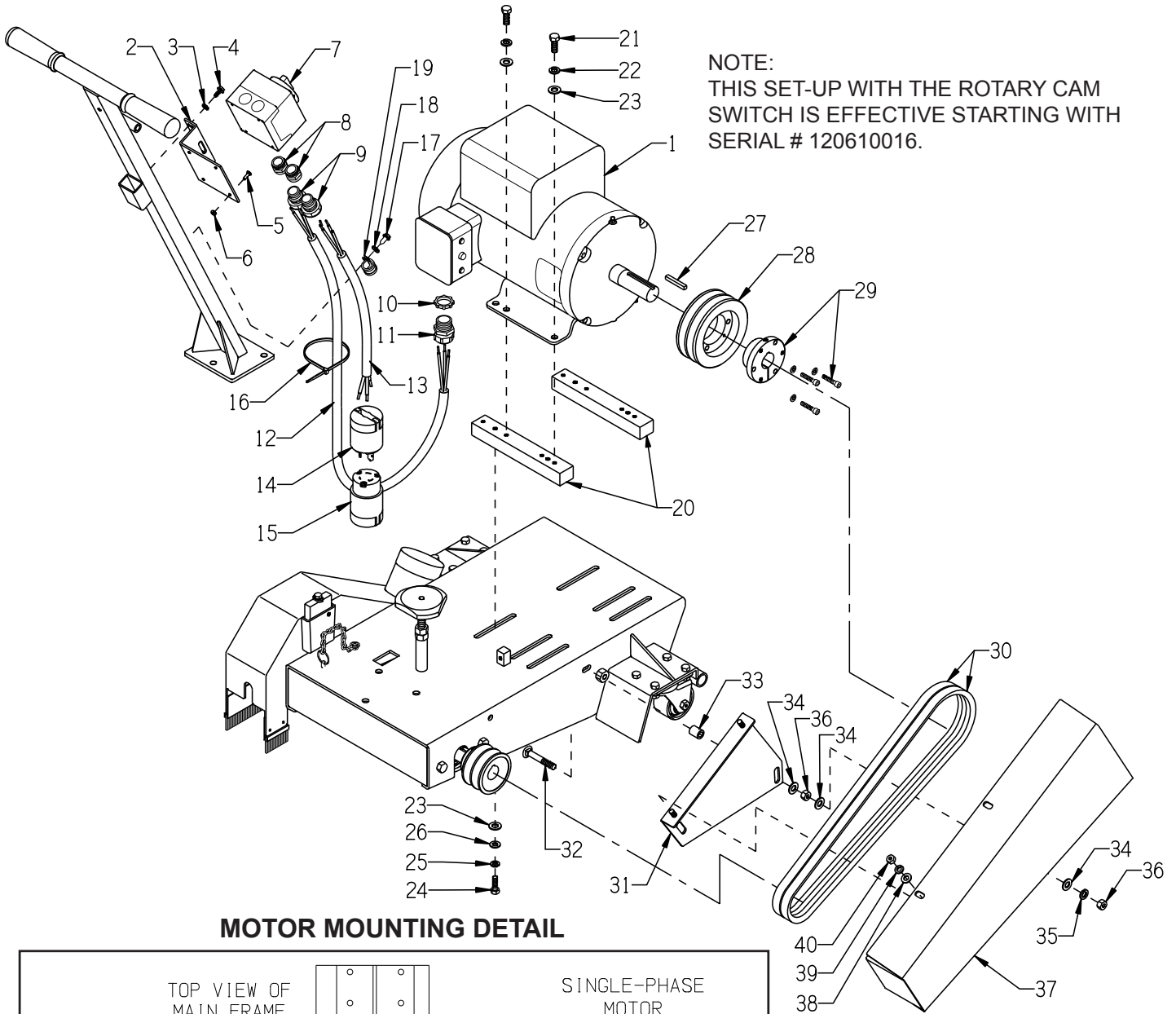
<b>PARTS LISTING - ILLUSTRATION 4: ENGINE &amp; BELT DRIVE GROUPING</b>			
ITEM #	PART #	DESCRIPTION	QTY.
1	15027 79045 15029	ENGINE: HONDA GX270-QXC9 W/ CYCLONE AIR CLEANER HONDA GX340-QXC9 W/ CYCLONE AIR CLEANER HONDA GX390-QXC9 W/ CYCLONE AIR CLEANER	1
2	10776	PIPE PLUG 1/4 NPT (BRASS)	1
3	11544	BARB, PUSH-ON 3/8 HOSE X 1/4FPT	1
4	56226	HOSE, PUSH-ON 3/8"ID X 6"L	1
5	11542	BARB, PUSH-ON 3/8HOSE X M12-1.5MALE	1
6	10918	BOLT, CARRIAGE 5/16-18 X 1-3/4	4
7	10213	WASHER, FLAT 5/16 SAE ZINC	4
8	10801	WASHER, LOCK 5/16 ZINC	4
9	10054	NUT, HEX 5/16-18 ZINC	4
10	-----	KEY 1/4SQ X 1-11/16 (INCLUDED W/ ENGINE)	1
11	10043	BUSHING, SHEAVE SDS X 1"BORE (INCLUDES HARDWARE)	1
12	79032	SHEAVE 5"OD X 2GR.B X SDS	1
13	85028	BELT 5L-440 (21/32" X 44")	2
14	49009	BRACKET, BELT COVER, C-10	1
15	10087 10055	BOLT, CARRIAGE 3/8-16 X 1-3/4 SCREW, CAP 3/8-16 X 1	1 1
16	10025	WASHER, FLAT 3/8 SAE ZINC	4
17	10811	WASHER, LOCK 3/8 ZINC	2
18	10404	NUT, HEX 3/8-16 ZINC	3
19	49010	COVER, BELT, C-10	1
20	10213	WASHER, FLAT 5/16 SAE ZINC	2
21	10801	WASHER, LOCK 5/16 ZINC	2
22	10054	NUT, HEX 5/16-18 ZINC	2

EdcoParts.com

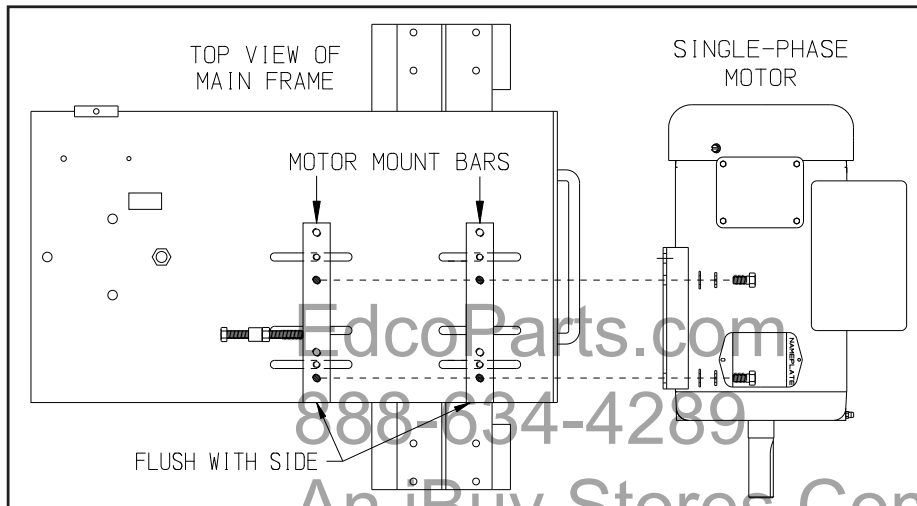
888-634-4289

An iBuy Stores Company

# ILLUSTRATION 5: SINGLE-PHASE MOTOR & BELT DRIVE GROUPING

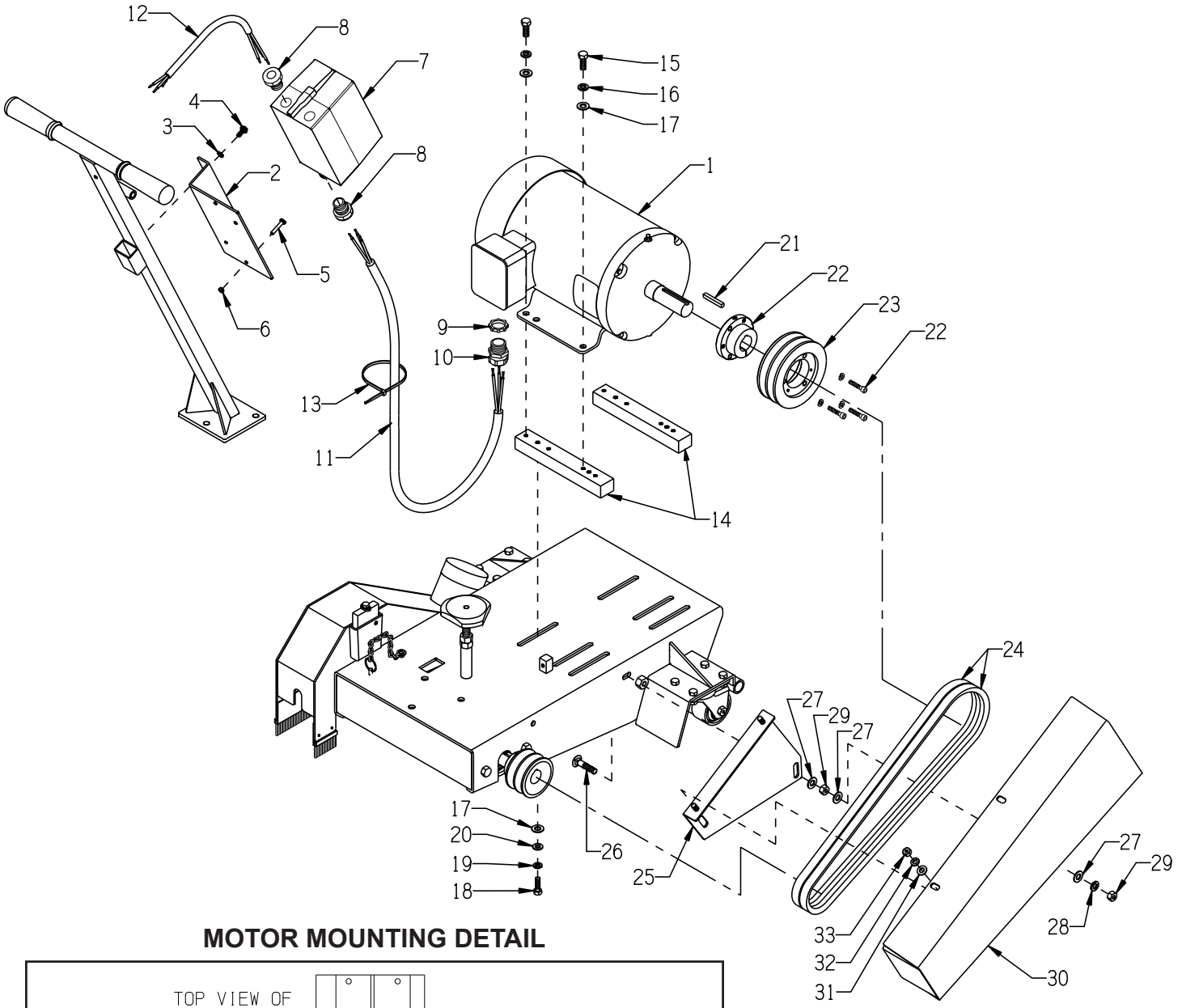


## MOTOR MOUNTING DETAIL

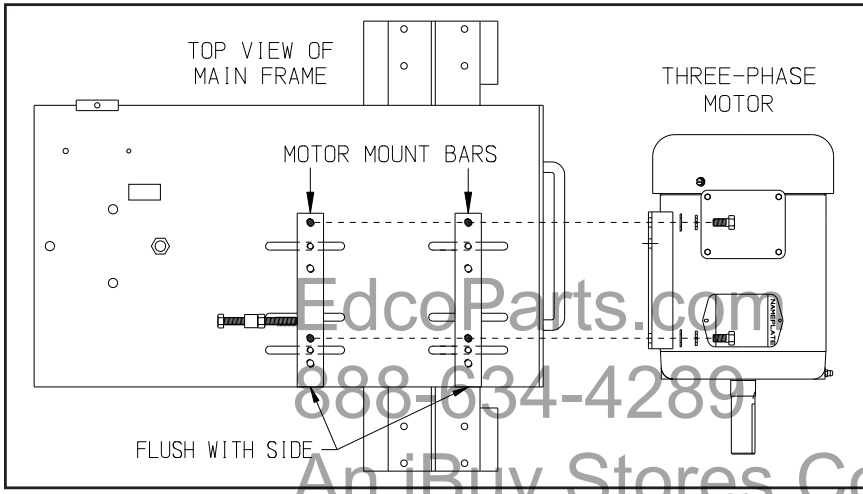


<b>PARTS LISTING - ILLUSTRATION 5: SINGLE-PHASE MOTOR &amp; BELT DRIVE GROUPING</b>			
ITEM #	PART #	DESCRIPTION	QTY.
1	81026	MOTOR, BALDOR 5HP-1PH 60HZ 3450RPM L3608TM	1
	16121	REPLACEMENT PARTS: CAPACITOR, START, EC1161C06, 161-193MFD, 250V	2
	16164	CAPACITOR, RUN, OC3040F09SP, 40MFD, 370V	1
	16540	RESET BUTTON, BALDOR TPBRT25DB	1
2	77042	BRACKET, ROTARY CAM SWITCH	1
3	10038	WASHER, LOCK 1/4 ZINC	2
4	10846	SCREW, CAP STSHW 1/4-20 X 1/2	2
5	11663	SCREW, MACHINE 8-32 X 1/2 RHCD ZINC (LOCATED INSIDE SWITCH BOX)	4
6	10462	NUT, KEPS LOCK 8-32 ZINC	4
7	77043	SWITCH, ROTARY CAM ON/OFF	1
8	77043-1	SWITCH ADAPTER, PG16 TO 1/2"NPT	2
9	41130	STRAIN RELIEF 1/2NPT X .550-.650"	2
10	10740	CONDUIT LOCK NUT 3/4 NP (LOCATED INSIDE JUNCTION BOX)	1
11	10959	STRAIN RELIEF 3/4 NPT X .550-.650"	1
12	49028	WIRE HARNESS 10/3 X 42"LOA, C-10	1
13	86026	WIRE HARNESS 10/3 X 24"LOA	1
14	40037	PLUG, LOCKING 20A/250V L6-20P	1
15	40000	CONNECTOR, LOCKING 20A/250V L6-20C	1
16	10982	TIE, CABLE, BLACK NYLON 11-1/4"	1
17	10877	SCREW, CAP STSHW 10-24 X 1/2	1
18	10831	WASHER, LOCK, INT. TOOTH #10	1
19	11565	CLAMP, LOOM, 5/8" (SAE SIZE 10)	1
20	49021	MOUNT BAR, MOTOR, C-10	2
21	10055	SCREW, CAP 3/8-16 X 1	4
22	10811	WASHER, LOCK 3/8 ZINC	4
23	10025	WASHER, FLAT 3/8 SAE ZINC	8
24	10606	SCREW, CAP 5/16-18 X 1-1/4	4
25	10801	WASHER, LOCK 5/16 ZINC	4
26	10213	WASHER, FLAT 5/16 SAE ZINC	4
27	10101	KEY 1/4SQ X 1-3/4 (INCLUDED WITH MOTOR)	1
28	79032	SHEAVE 5"OD X 2GR.B X SDS	1
29	10558	BUSHING, SHEAVE SDS X 1-1/8"BORE (INCLUDES HARDWARE)	1
30	85028	BELT 5L-440 (21/32" x 44")	2
31	49009	BRACKET, BELT COVER, C-10	1
32	10335	BOLT, CARRIAGE 3/8-16 X 2-1/2	1
	27029	SCREW, CAP 3/8-16 X 1-3/4	1
33	52045	SPACER, STEEL 5/8OD X 3/8ID X 3/4L	2
34	10025	WASHER, FLAT 3/8 SAE ZINC	4
35	10811	WASHER, LOCK 3/8 ZINC	2
36	10404	NUT, HEX 3/8-16 ZINC	3
37	49010	COVER, BELT, C-10	1
38	10213	WASHER, FLAT 5/16 SAE ZINC	2
39	10801	WASHER, LOCK 5/16 ZINC	2
40	10054	NUT, HEX 5/16-18 ZINC	2

# ILLUSTRATION 6: THREE-PHASE MOTOR & BELT DRIVE GROUPING



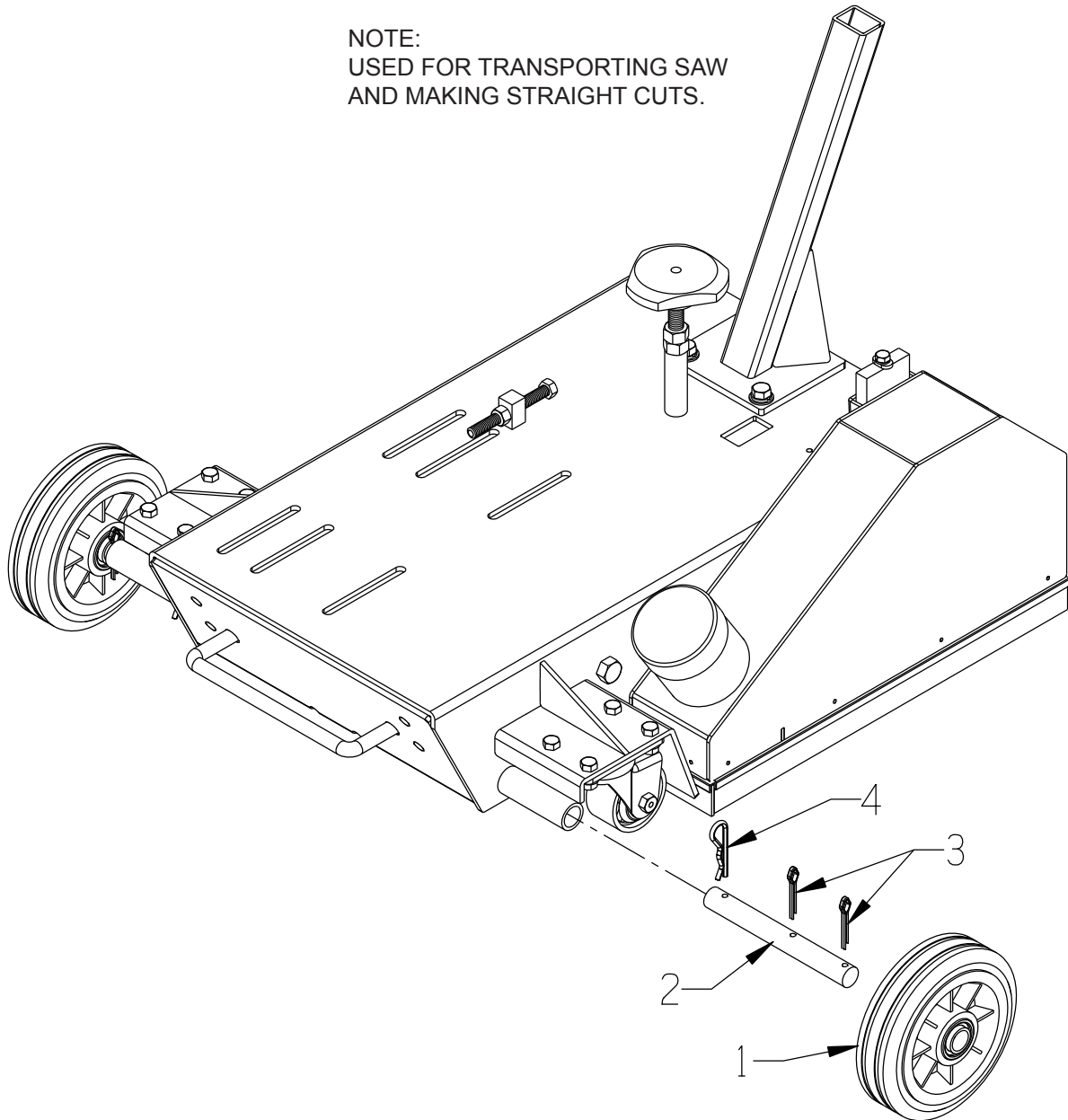
## MOTOR MOUNTING DETAIL



PARTS LISTING - ILLUSTRATION 6: THREE-PHASE MOTOR & BELT DRIVE GROUPING			
ITEM #	PART #	DESCRIPTION	QTY.
1	81022	MOTOR, BALDOR 5HP-3PH-60HZ-230/460V CAT. NO. EM3613T	1
2	86027	MOUNTING BRKT., STARTER	1
3	10038	WASHER, LOCK 1/4 ZINC	2
4	10846	SCREW, CAP STSHW 1/4-20 X 1/2	2
5	11732	SCREW, MACHINE 10-32 X 1-3/4 RHP	2
	10384	SCREW, MACHINE 10-32 X 1 RHP	1
6	10462	NUT, KEPS LOCK 8-32 ZINC	4
7	16405	STARTER ACI #128841 START-STOP 200/240V COIL 11.3-16A O/L	1
	16406	STARTER ACI #128847 START-STOP 440/480V COIL 5.5-7.5A O/L	1
		REPLACEMENT PARTS:	
	16617	STARTER CONT./COIL ACI SK18.310-230	1
	16618	STARTER CONT./COIL ACI SK18.310-460	1
	16622	STARTER AC COIL 200/240V-60HZ	1
	16623	STARTER AC COIL 440/480V-60HZ	1
	16632	STARTER OVERLOAD RELAY 5.5-7.5 AMP	1
	16635	STARTER OVERLOAD RELAY 11.3-16.0 AMP	1
8	41053	STRAIN RELIEF 1/2NPT X .625-.750"	2
9	10740	CONDUIT LOCK NUT 3/4 NP (LOCATED INSIDE JUNCTION BOX)	1
10	10605	STRAIN RELIEF 3/4NPT X .650-.750"	1
11	49027	WIRE HARNESS 12/4 X 34"LOA, C-10	1
12	49026	WIRE HARNESS 12/4 X 22"LOA, C-10	1
13	10982	TIE, CABLE, BLACK NYLON 11-1/4"	1
14	49021	MOUNT BAR, MOTOR, C-10	2
15	10055	SCREW, CAP 3/8-16 X 1	4
16	10811	WASHER, LOCK 3/8 ZINC	4
17	10025	WASHER, FLAT 3/8 SAE ZINC	8
18	10606	SCREW, CAP 5/16-18 X 1-1/4	4
19	10801	WASHER, LOCK 5/16 ZINC	4
20	10213	WASHER, FLAT 5/16 SAE ZINC	4
21	10101	KEY 1/4SQ X 1-3/4 (INCLUDED WITH MOTOR)	1
22	10558	BUSHING, SHEAVE SDS X 1-1/8"BORE (INCLUDES HARDWARE)	1
23	79032	SHEAVE 5"OD X 2GR.B X SDS	1
24	85028	BELT 5L-440 (21/32" x 44")	2
25	49009	BRACKET, BELT COVER, C-10	1
26	10087	BOLT, CARRIAGE 3/8-16 X 1-3/4	1
	10055	SCREW, CAP 3/8-16 X 1	1
27	10025	WASHER, FLAT 3/8 SAE ZINC	4
28	10811	WASHER, LOCK 3/8 ZINC	2
29	10404	NUT, HEX 3/8-16 ZINC	3
30	49010	COVER, BELT, C-10	1
31	10213	WASHER, FLAT 5/16 SAE ZINC	2
32	10801	WASHER, LOCK 5/16 ZINC	2
33	10054	NUT, HEX 5/16-18 ZINC	2

**ILLUSTRATION 7:  
OPTIONAL WHEEL KIT  
PART # 49015**

NOTE:  
USED FOR TRANSPORTING SAW  
AND MAKING STRAIGHT CUTS.



ITEM #	PART #	DESCRIPTION	QTY.
1	80028	WHEEL 6 X 2 X 3/4" BRG.	2
2	49017	AXLE SHAFT 3/4" DIA. X 6-1/2" L, C-10	2
3	10306	PIN, COTTER 3/16 X 1-1/2	4
4	10124	PIN, HAIR COTTER .125" X 1-15/16 OAL	2

An iBuy Stores Company

DECAL SHEET

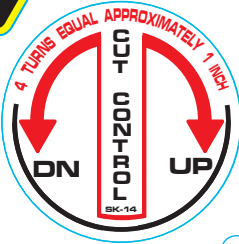


exceeds 85dBA

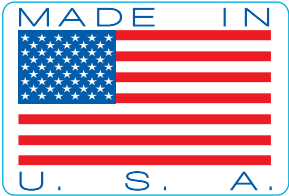
CHECK OIL DAILY



CALIFORNIA PROPOSITION 65 WARNING  
The engine exhaust from this product contains chemicals known to the State of California to cause cancer, birth defects or other reproductive harm.



GREASE BEARINGS DAILY



**⚠ DANGER**  
BEFORE CUTTING INTO ANY SURFACE, INSURE THERE ARE NO BURIED GAS, ELECTRICAL, HIGH PRESSURE AIR, SEWER OR WATER LINES

NOTE: Locate this decal so it is visible from operator's position



YOU MUST READ OPERATOR'S INSTRUCTION MANUAL BEFORE OPERATING



THROTTLE



WARNING  
THERE IS NO OIL IN THIS MACHINE

RENTAL-TOUGH

**DECALS CONTINUED**

STOP RESET

ROTATION NOTATION

RESET

230 VOLTS

SINGLE PHASE

460 VOLTS

THREE PHASE

RESET

Z O

Electric-1 4 x 7  
P/N 92206 Rev. A

**CAUTION**

**GENERATOR SIZE REQUIREMENT**

← →

**RATE GENERATOR AT 3 TIMES  
MOTOR RATED HORSEPOWER**

NOTE: Locate this decal so it is visible from operator's position on all electric machines

**PN: 91326**

**Reset Switch  
P/N 91332**

**P/N 91332**

**IMPORTANT NOTE:**  
Make sure the ON/OFF power switch is in the **OFF** position before pressing the reset button on the motor. Failure to do so could cause bodily harm and damage to the machine and/or work surface.

**NOTE:**  
Locate this decal so it is visible, close to and pointing at the **MANUAL RESET** button located on the motor

888-634-4289

An iBuy Stores Company