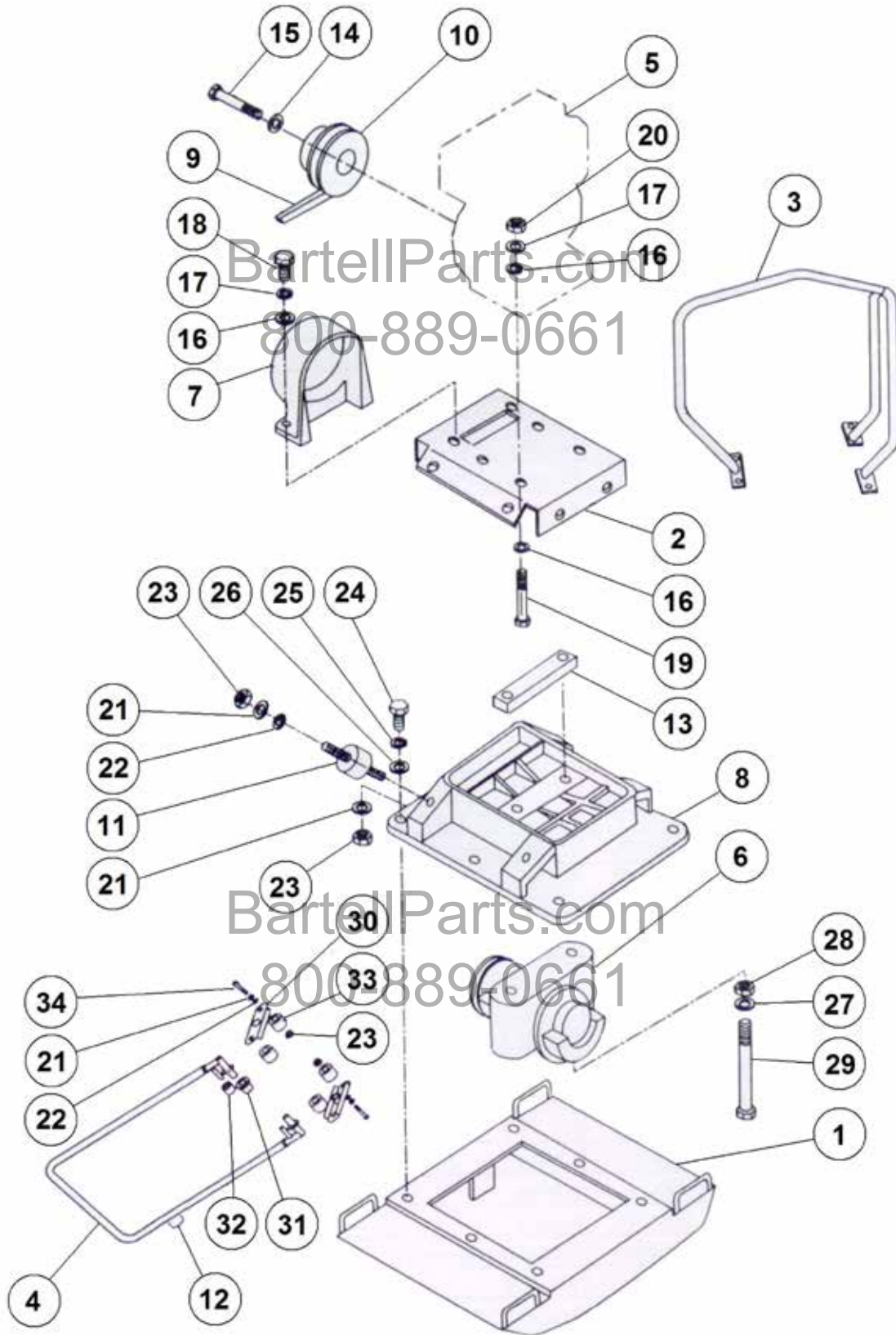


# PARTS LIST 1

## B300

### GENERAL ASSEMBLY



# PARTS LIST 1

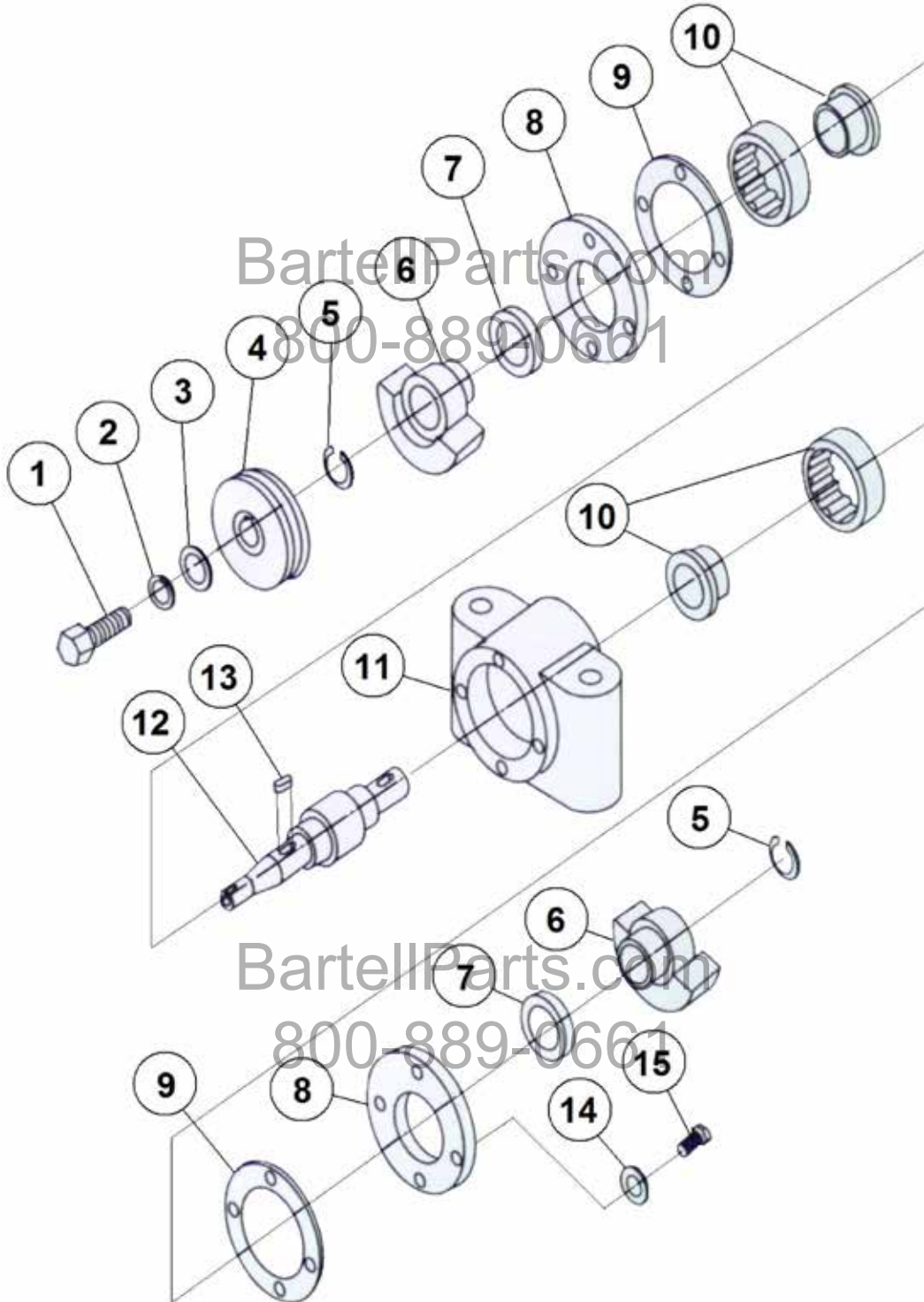
## B300

### GENERAL ASSEMBLY

ITEM NO.	PART NO.	DESCRIPTION	QTY.	REMARK
1	60711	BASE PLATE, B300 COMPACTOR	1	rev 00 - 04/2011
2	60712	BRIDGE, B300 COMPACTOR	1	rev 00 - 04/2011
3	60713	LIFTING FRAME	1	GX160 VERSION
	60740	LIFTING FRAME	1	GC160/B&S 6.5
4	60710	CONTROL HANDLE, RIGID	1	rev 00 - 04/2011
5	21333	ENGINE, HONDA GX160	1	N20006
	21386	ENGINE, VANGUARD 6.5HP	1	N20005
	21388	ENGINE, HONDA GC160	1	N20011
6	60714	EXCITER ASSEMBLY	1	SEE PAGE 6
7	60716	BELT GUARD	1	rev 00 - 04/2011
8	60717	EXCITER SUPPORT PLATE	1	rev 00 - 04/2011
9	60718	DRIVE BELT (13X737Li/AX29)	1	rev 00 - 04/2011
10	60819	CLUTCH ASSEMBLY	1	rev 00 - 04/2011
11	60720	ISOLATION MOUNT, RUBBER	4	rev 00 - 04/2011
12	60854	THROTTLE LEVER AND CABLE	1	rev 01 - 09/2011
13	60721	EXCITER MOUNT BEAM	1	rev 00 - 04/2011
14	30042	CLUTCH RETAINING WASHER	1	rev 00 - 04/2011
15	11256	FHSCS, 5/6" X 1"	1	rev 00 - 04/2011
16	11000	WASHER, FLAT, M8	10	rev 00 - 04/2011
17	10998	WASHER, LOCK, M8	6	rev 00 - 04/2011
18	10997	HHCS, M8 X 20MM	2	rev 00 - 04/2011
19	10452	HHCS, M8 X 40MM	4	rev 00 - 04/2011
20	11615	NUT, HEX, M8	4	rev 00 - 04/2011
21	11621	WASHER, LOCK, M10	12	rev 00 - 04/2011
22	10111	WASHER, FLAT, M10	12	rev 00 - 04/2011
23	60835	NUT, LOCK, M10	12	rev 00 - 04/2011
24	51032	HHCS, M12 X 45MM	6	rev 00 - 04/2011
25	10735	WASHER, LOCK, M12	6	rev 00 - 04/2011
26	10993	WASHER, FLAT, M12	6	rev 00 - 04/2011
27	60832	WASHER, LOCK, M16	2	rev 00 - 04/2011
28	60728	NUT, HEX, M16	2	rev 00 - 04/2011
29	60745	HHCS, M16 X 160MM	2	rev 00 - 04/2011
30	60722	PLATE, HANDLE MOUNT	2	rev 00 - 04/2011
31	60724	HANDLE BUSHING, RUBBER	2	rev 00 - 04/2011
32	60725-1	HANDLE STOPPER, RUBBER	2	rev 00 - 04/2011
33	60723	HANDLE MOUNT, RUBBER	4	rev 00 - 04/2011
34	60726	HHCS, M10 X 80MM	4	rev 00 - 04/2011

# PARTS LIST 2 B300

## EXCITER ASSEMBLY



# PARTS LIST 2

## B300

### EXCITER ASSEMBLY

ITEM NO.	PART NO.	DESCRIPTION	QTY.	REMARK
1	60732	HHCS, M8 X 15MM	1	
2	10998	WASHER, LOCK, M8	1	
3	11000	WASHER, FLAT, M8	1	
4	60734	EXCITER PULLEY	1	
5	60743	CIRCLIP, EXCITER SHAFT	2	
6	60735	ECCENTRIC WEIGHT	2	
7	60742	GREASE SEAL	2	
8	60738	HOUSING COVER	2	
9	60739	COVER GASKET	2	
10	60733	EXCITER BEARING	2	
11	60736	EXCITER HOUSING	1	
12	60737	EXCITER SHAFT	1	
13	11638	KEY, ECCENTRIC WEIGHT	2	
14	14448	WASHER, LOCK, M6	8	
15	60731	SHCS, M6 X 20MM	8	

BartellParts.com  
800-889-0661