

OPERATION AND PARTS MANUAL



MODEL GA6HB/GA6HEB PORTABLE GENERATORS (HONDA GX340R2EDN2/GX340R2EDE2 GASOLINE ENGINES)

Revision #0 (03/13/14)

THIS MANUAL MUST ACCOMPANY THE EQUIPMENT AT ALL TIMES.

TABLE OF CONTENTS

GA6HB/GA6HEB Portable 60 Hz Generator

Table Of Contents.....	3
Safety Information	4-8
Specifications (Generator).....	12
Specifications (Engine).....	11
Dimensions.....	12
Installation	14-15
General Information.....	16
Components (Generator).....	17-1
Inspection/Setup.....	20-21
Operation.....	22-24
Shutdown.....	24
Preparation For Long Term Storage	25
Maintenance	26-30
Generator Wiring Diagram (GA6HB)	32
Generator Wiring Diagram (GA6HEB).....	33
Troubleshooting (Engine).....	34-35
Troubleshooting (Generator).....	36
Explanation Of Code In Remarks Column.....	37
Suggested Spare Parts	38

Component Drawings

Nameplate and Decals Assembly.....	40-41
Generator Assembly	42-43
Control Box Assembly	44-45
Pipe Frame Assembly.....	46-47
Battery Assembly.....	48-49

Honda GX340R2EDE2/ GX340R2EDN2 Gasoline Engines

Muffler Assembly	50-51
Air Cleaner Assembly	52-53
Camshaft Assembly.....	54-55
Carburetor Assembly	56-57
Control Assembly	58-59
Crankcase Cover Assembly	60-61
Crankshaft Assembly.....	62-63
Cylinder Barrel Assembly	64-65
Cylinder Head Assembly	66-67
Fan Assembly	68-69
Flywheel Assembly	70-71
Ignition Coil Assembly.....	72-73
Piston Assembly	74-75
Recoil Starter Assembly	76-77
Starter Motor Assembly	78-79
Solenoid Assembly	80-81
Engine Decals Assembly	82-83
Terms And Conditions Of Sale — Parts	84

SUGGESTED SPARE PARTS

GA6HB/GA6HEB PORTABLE 60 HZ GENERATOR WITH HONDAGX340R2EDN2/GX340R2EDE2 GASOLINE ENGINES

1 to 3 units

Qty.	P/N	Description
1.....	0430430120.....	CAP FUEL TANK
1.....	0605505162.....	FILTER FUEL
2.....	3015419604.....	RUBBER SUSPENSION
2.....	1725419214.....	RUBBER SUSPENSION
3.....	9807955846.....	SPARK PLUG
1.....	35480ZF6003.....	SWITCH ASSY., OIL ALERT
2.....	28462ZV7003.....	ROPE, RECOIL
3.....	17211899000.....	ELEMENT AIR CLEANER

GA6HB/GA6HEB— NAMEPLATE AND DECALS ASSY.

GA6HEB

OPERATING INSTRUCTIONS

1. Before starting check the oil and fuel level.
2. Switch the circuit breaker to the "OFF" position.
3. Open the fuel valve.
4. Pull the choke knob.
5. Turn the operation switch to the "ON" position and push the start button to start the engine.
6. After the engine starts, gradually push in the choke knob.
7. Run the generator for 3-5 minutes without load.
8. Check for any abnormal noise or smell.
9. Switch the circuit breaker to the "ON" position.
10. When stopping, cut-off the load and allow the unit to cool for 2-3 minutes before stopping engine.
11. Turn the operation switch to the "OFF" position.
12. After the engine completely stops, close the fuel valve.

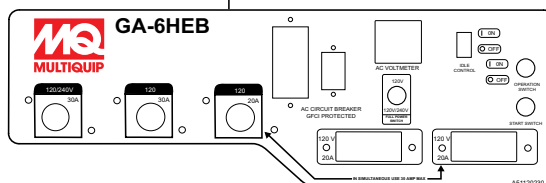
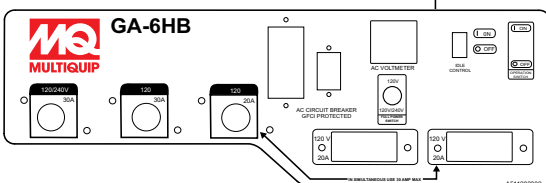
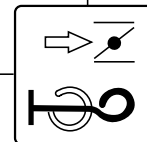
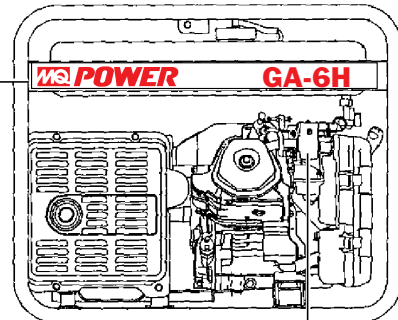
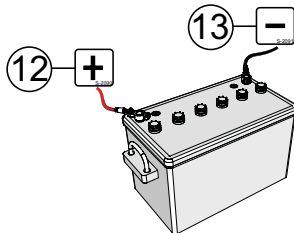
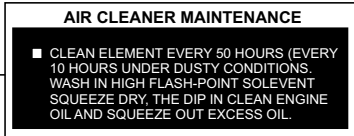
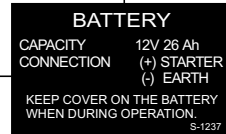
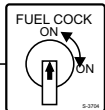
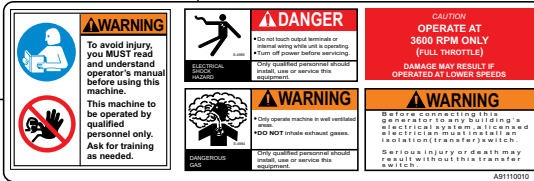
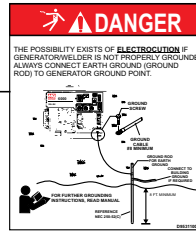
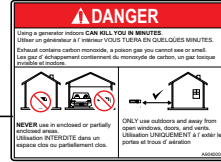
AS1120002

GA6HB

OPERATING INSTRUCTIONS

1. Before starting check the oil and fuel level.
2. Switch the circuit breaker to the "OFF" position.
3. Open the fuel valve.
4. Pull the choke knob.
5. Turn the operation switch to the "ON" position.
6. Pull the recoil starter.
7. After the engine starts, gradually push in the choke knob.
8. Run the generator for 3-5 minutes without load.
9. Check for any abnormal noise or smell.
10. Switch the circuit breaker to the "ON" position.
11. When stopping, cut-off the load and allow the unit to cool for 2-3 minutes before stopping engine.
12. Turn the operation switch to the "OFF" position.
13. After the engine completely stops, close the fuel valve.

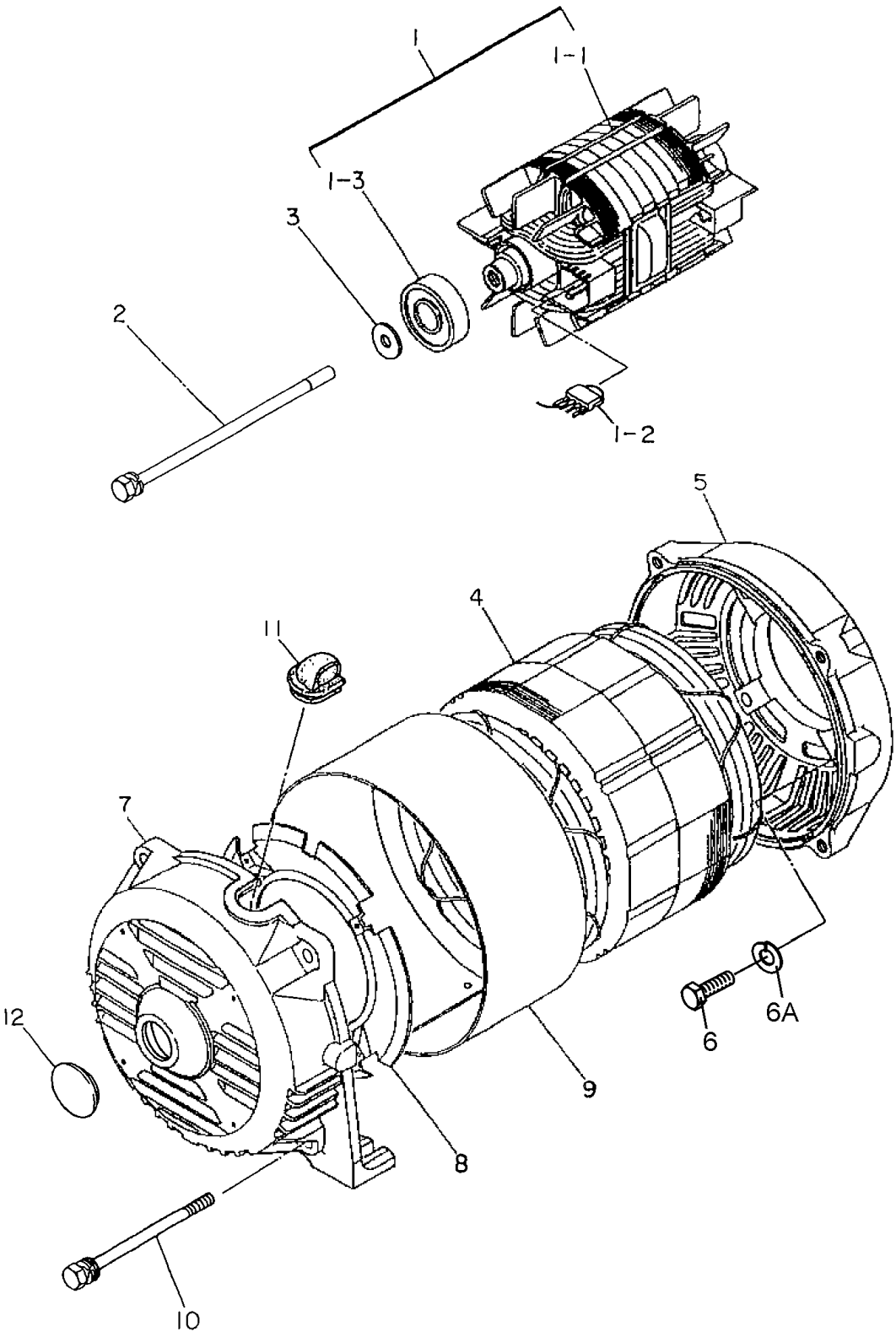
AS1120010



GA6HB/GA6HEB— NAMEPLATE AND DECALS ASSY.

<u>NO.</u>	<u>PART NO.</u>	<u>PART NAME</u>	<u>QTY.</u>	<u>REMARKS</u>
1	A5551000004	DECAL; OPERATING INSTRUCTIONS (HEB)..1.....	1	A55100000
2	A9521200104	DECAL; OPERATING INSTRUCTIONS (HB)1.....	1	A92120010
3	A9504000014	DECAL; DANGER, DANGEROUS GASES1.....	1	A90400001
4	920214100	DECAL; WARNING, START FIRES1.....	1	M90420000
5	D9531100104	DECAL; DANGER, ELECTROCUTION1.....	1	A93110010
6	0800628504	DECAL; GROUND, (S-1123)1.....	1	REPLACES P/N W0800628504
7	A9511100103	DECAL; WARNING1.....	1	A91110010
8	1980680004	DECAL; FUEL COCK.....1.....	1	S-3704
9	0800696804	DECAL; BATTERY (S-1237)1.....	1	REPLACES P/N 0800696604
10	87533ZC0630	DECAL; AIR CLEANER	1	
11	A5561000603	DECAL; MQ POWER, GA-6H	1	
12	0800689404	DECAL; + (POSITIVE)1.....	1	S-2090
13	0800689504	DECAL; - (NEGATIVE).....1.....	1	S-2091
14	87528898620	DECAL; CHOKE	1	
15	A5511202002	DECAL; CONTROL PANEL (HB).....1.....	1	A51120200
16	A5511202302	DECAL; CONTROL PANEL (HEB)1.....	1	A51120230

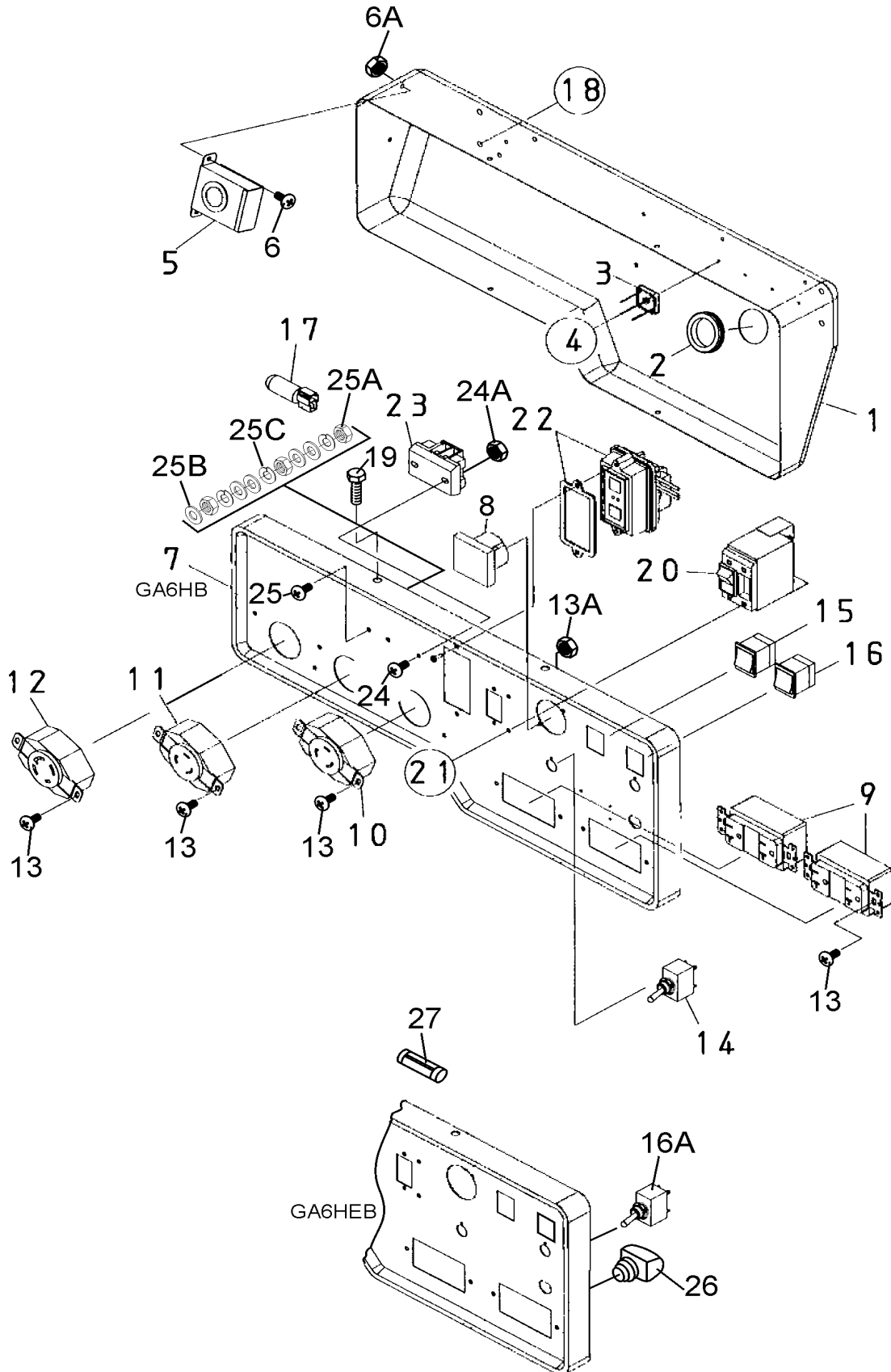
GA6HB/GA6HEB — GENERATOR ASSY.



GA6HB/GA6HEB — GENERATOR ASSY.

<u>NO.</u>	<u>PART NO.</u>	<u>PART NAME</u>	<u>QTY.</u>	<u>REMARKS</u>
1	7901002403	ROTOR ASSY.	1.....	INCLUDES ITEMS W/#
1-1#		FIELD ASSY	1.....	NOT SOLD SEPARATELY
1-2#	0601823213	RECTIFIER D3SB80	2	
	0601822638	SURGE ABSORBER	2	
1-3#	0071706304	BEARING 6304	1	
2	7901017004	SET BOLT, ROTOR	1	
3	0801086104	SET WASHER, BEARING	1	
4	A5135000103	ARMATURE ASSY.	1	
5	7901315502	END BRACKET	1	
6	0013608020	HEX. HEAD BOLT	4	
6A	0040008000	WASHER, LOCK	4	
7	7871315022D	END BRACKET	1.....	REPLACES P/N 7871315022
8	7875021523	GUIDE PANEL, AIR	1	
9	7871331003	COVER	1	
10	7901316004	SET BOLT, STATOR	4	
11	7871329514	GROMMET	1	
12	0601851760	CAP	1	

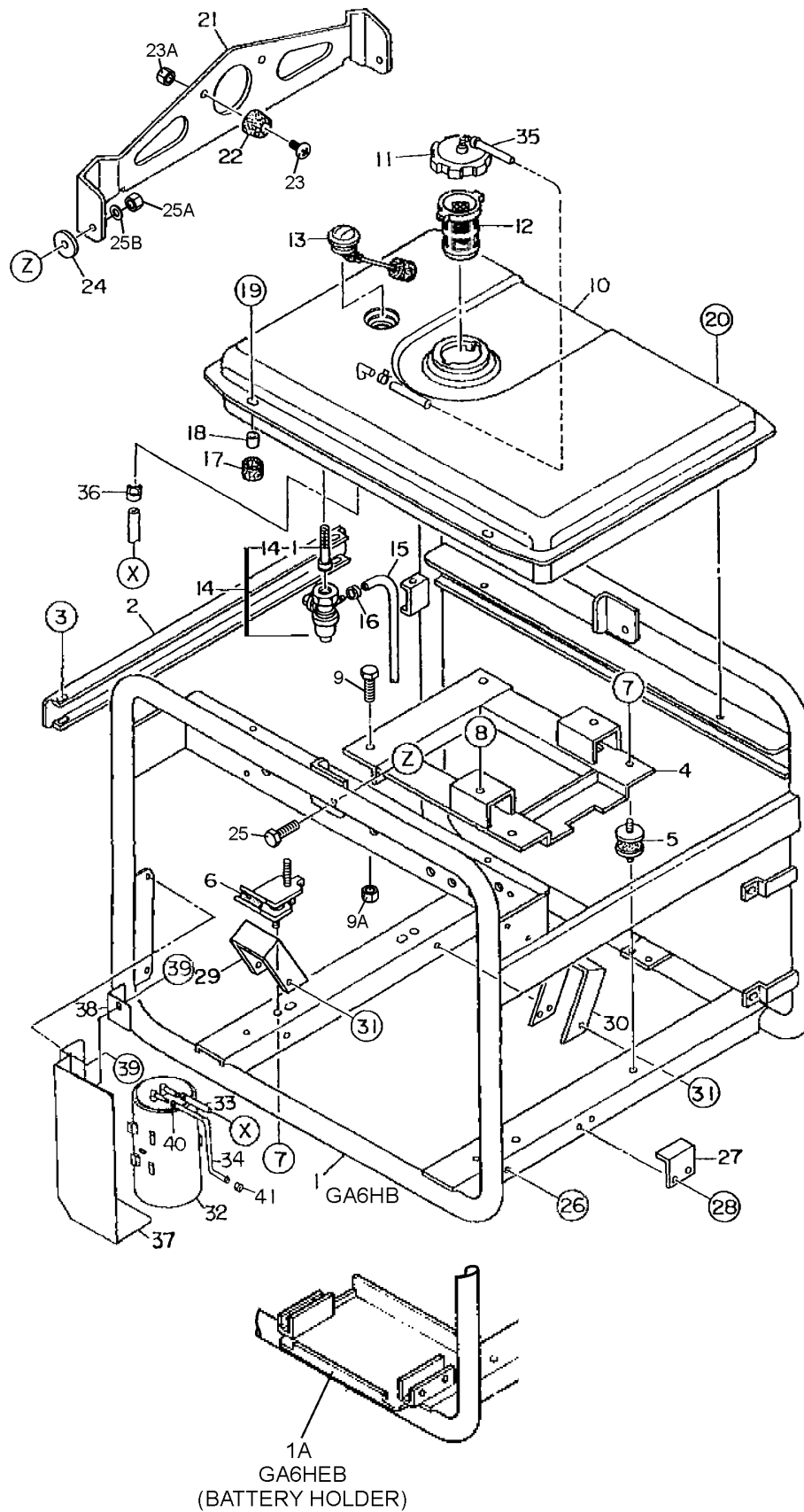
GA6HB/GAGHEB — CONTROL BOX ASSY.



GA6HBGA6HEB — CONTROL BOX ASSY.

<u>NO.</u>	<u>PART NO.</u>	<u>PART NAME</u>	<u>QTY.</u>	<u>REMARKS</u>
1	A3214000103	CONTROL BOX	1	
2	0601850102	GROMMET	1	
3	0601823204	RECTIFIER S5VB60	2	
4	0027103012	MACHINE SCREW	2	
5	0601823853	SLOW DOWN UNIT	1	
6	0027104010	MACHINE SCREW	2	
6A	OEMAA8	HEX. NUT	2	REPLACES P/N 0207004000
7	A3224000303	CONTROL PANEL	1	
8	0601806819	AC VOLTMETER, DE450, 0~240V	1	
9	0601814065	RECEPTACLE, 5-20R DR20 (GFCI)	2	
10	0601811092	RECEPTACLE, L5-20R, 125V, 20A	1	REPLACES P/N 0601812592
11	0601811031	RECEPTACLE, L5-30R, 125V, 30A	1	REPLACES P/N 0601811035
12	0601812529	RECEPTACLE, L14-30R	1	
13	0021004010	MACHINE SCREW	10	
13A	OEMAA8	HEX. NUT	10	REPLACES P/N 0207004000
14	0601830737	FULL POWER SWITCH	1	
15	0601831620	IDLE CONTROL SWITCH	1	
16	0601831620	OPERATION SWITCH	1	
16A	0601830737	OPERATION SWITCH	1	
17	A3262800004	CAPACITOR 50V @1000 F	1	
18	011106015	HEX. HEAD BOLT	4	REPLACES P/N 0017106015
19	0017105010	HEX. HEAD BOLT	4	
20	0601872301	CIRCUIT BREAKER, 23A, 2P @120V	1	
21	0021003005	MACHINE SCREW	4	
22	0601829301	EARTH LEAKAGE RELAY, 120V	1	
23	0601815870	TERMINAL BOARD	1	
24	0021004020	MACHINE SCREW	2	
24A	OEMAA8	HEX. NUT	2	REPLACES P/N 0207004000
25	Y0027004025	MACHINE SCREW	1	
25A	0030004000	HEX. NUT	3	
25B	58042	WASHER, FLAT	5	REPLACES P/N 0041204000
25C	0040004000	WASHER, LOCK	3	
26	0602100102	START SWITCH, GA6HEB	1	
27	0601802137	FUSE, 10A		

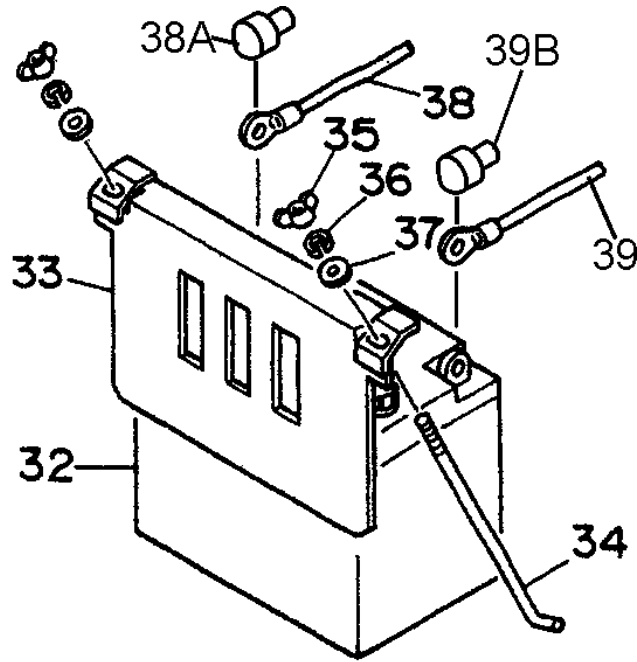
GA6HB/GA6HEB — PIPE FRAME ASSY.



GA6HBGA6HEB — PIPE FRAME ASSY.

<u>NO.</u>	<u>PART NO.</u>	<u>PART NAME</u>	<u>QTY.</u>	<u>REMARKS</u>
1	A5417000702	PIPE FRAME, GA6HB	1	
1A	A5417000802	PIPE FRAME, GA6HEB	1	
2	A3417100004	BRACKET	1	
3	0017106015	HEX. HEAD BOLT	4	
4	7905443003	BASE	1	
5	3015419604	RUBBER SUSPENSION	2	
6	1725419214	RUBBER SUSPENSION	2	
7	0207008000	HEX. NUT	8	REPLACES P/N 0207008000
8	0017108030	HEX. HEAD BOLT	2	
9	0017108040	HEX. HEAD BOLT	2	
9A	020108060	HEX. NUT	2	REPLACES P/N 0207008000
10	A3361000004	FUEL TANK	1	
11	0430430120	CAP, FUEL TANK	1	REPLACES P/N 0605505068
12	0605505162	FUEL FILTER	1	
13	0602125034	FUEL GAUGE	1	
14	16950ZB4015	FUEL STRAINER	1	
14-1	16952KJ9752	SCREEN SET	1	REPLACES P/N 16952ZB4005
15	0605513212	HOSE	1	
16	950024080008	HOSE BAND	2	REPLACES P/N 0605515241
17	7855525514	RUBBER CUSHION	2	
18	7855525604	COLLAR	2	
19	0017108030	HEX. HEAD BOLT	2	
20	011008020	HEX. HEAD BOLT	2	REPLACES P/N 0017108020
21	A9117200103	HANGER	1	
22	0601850097	STOPPER	1	
23	011208025	MACHINE SCREW	1	REPLACES P/N 0021008025
23A	020108060	HEX. NUT	1	REPLACES P/N 0207008000
24	0601851116	PLASTIC WASHER	2	
25	011208025	HEX. HEAD BOLT	2	REPLACES P/N 0011308025
25A	020108060	HEX. NUT	2	REPLACES P/N 0037908000
25B	0042108000	WASHER, FLAT	2	
26	0019206015	HEX. HEAD BOLT	1	
27	7915456004	STOPPER	1	
28	011106015	HEX. HEAD BOLT	2	REPLACES 0017106015
29	7915455103	COVER	1	
30	7855455003	COVER	1	
31	011106015	HEX. HEAD BOLT	6	REPLACES P/N 0017106015
32	0605507002	CANISTER	1	
33	0605513202	HOSE	1	
34	0605513210	HOSE	1	
35	0605513189	HOSE	1	
36	0605515223	HOSE BAND	4	
37	A3261600103	BRACKET	1	
38	A3261600204	STOPPER	1	
39	011106015	HEX. HEAD BOLT	3	REPLACES 0016906015
40	0605515170	HOSE BAND	1	
41	Y0605515229	HOSE BAND	1	

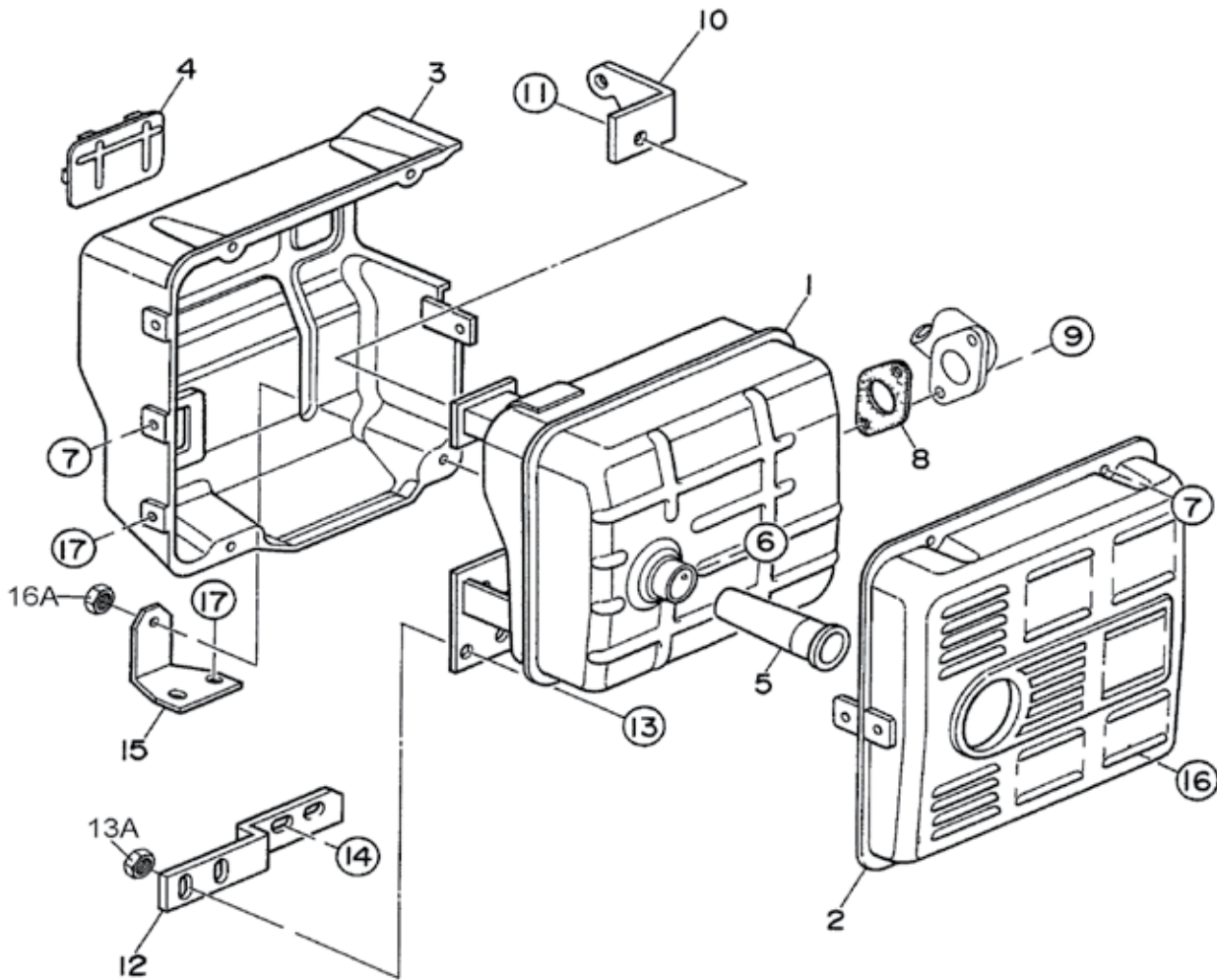
GA6HEB — BATTERY ASSY.



GAGHEB — BATTERY ASSY.

<u>NO.</u>	<u>PART NO.</u>	<u>PART NAME</u>	<u>QTY.</u>	<u>REMARKS</u>
32		BATTERY	1.....	PURCHASE LOCALLY
33	7905458103	BATTERY BAND	1	
34	A5344200004	BATTERY BOLT	2	
35	0037806000	WING NUT	2	
36	0040006000	SPRING NUT	2	
37	0041206000	WASHER, FLAT	2	
38	A5347000504	BATTERY CABLE, NEGATIVE	1	
38A	D1343200604	TERMINAL CAP	1	
39	A5347000004	BATTERY CABLE, POSITIVE	1	
38B	Y0602220643	TERMINAL CAP	1	

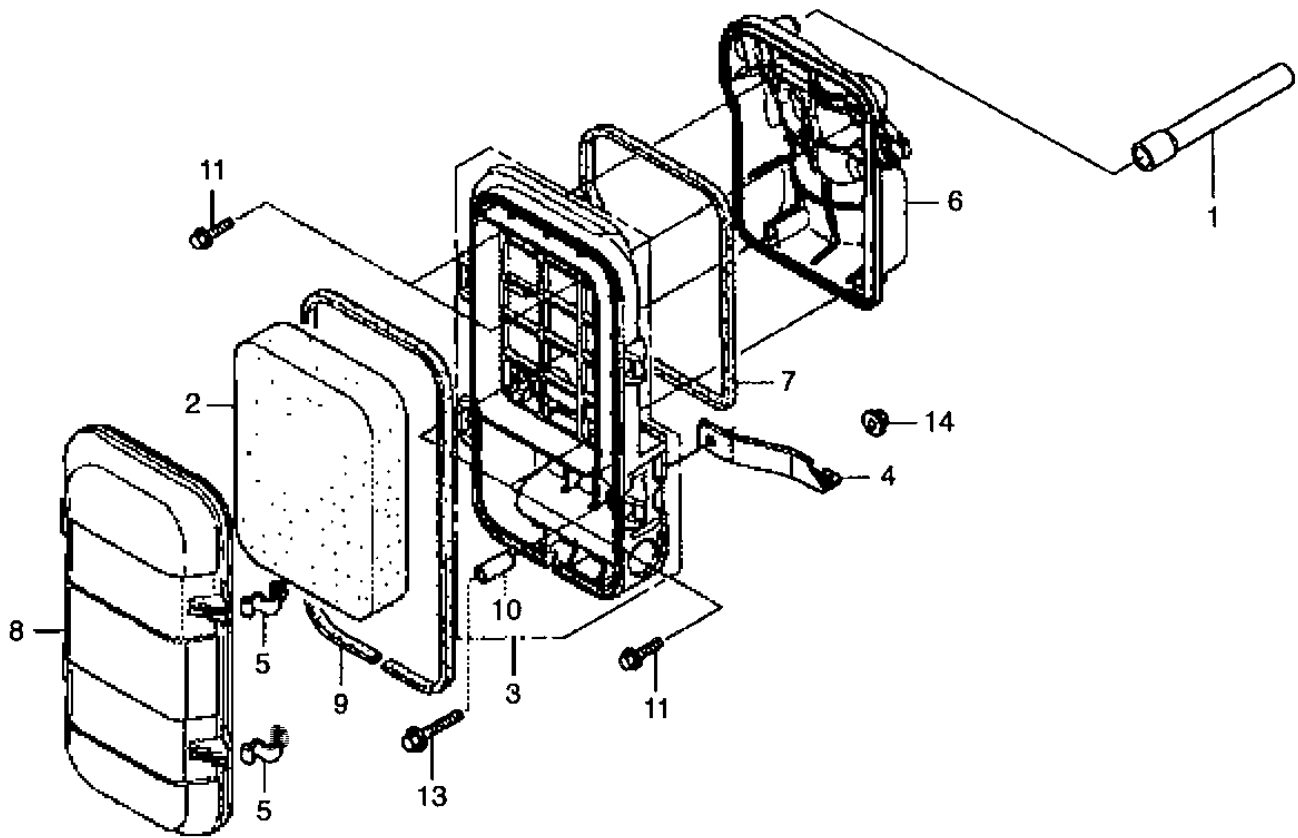
GA6HB/GA6HEB — MUFFLER ASSY.



GA6HB/GA6HEB — MUFFLER ASSY.

<u>NO.</u>	<u>PART NO.</u>	<u>PART NAME</u>	<u>QTY.</u>	<u>REMARKS</u>
1	W7912310003	MUFFLER	1	
2	18320ZC2000	PROTECTOR	1	
3	18325ZB4000	PROTECTOR	1	
4	18329ZB4000	SEAL	2	
5	18355ZB4630	ARRESTOR, SPAR	1	
6	Y0602322011	TAPPPING SCREW	1	
7	0105050616	HEX. HEAD BOLT	5.....	REPLACES P/N 0017106012
8	18333ZB4801	GASKET	1	
9	Y0602322010	HEX. HEAD BOLT	2	
10	W7905461004	BRACKET	1	
11	011008020	HEX. HEAD BOLT	1.....	REPLACES P/N 0017108020
12	W7905460004	BRACKET	1	
13	011208025	HEX. HEAD BOLT	2.....	REPLACES P/N 0017108025
13A	020108060	HEX. NUT	2.....	REPLACES P/N 0207008000
14	011008020	HEX. HEAD BOLT	2.....	REPLACES P/N 0017108020
15	W7905469004	BRACKET	1	
16	011206020	HEX. HEAD BOLT	1.....	REPLACES P/N 0017106020
16A	020108060	HEX. NUT	1.....	REPLACES P/N 0207008000
17	0105050616	HEX. HEAD BOLT	4.....	REPLACES P/N 0017106012

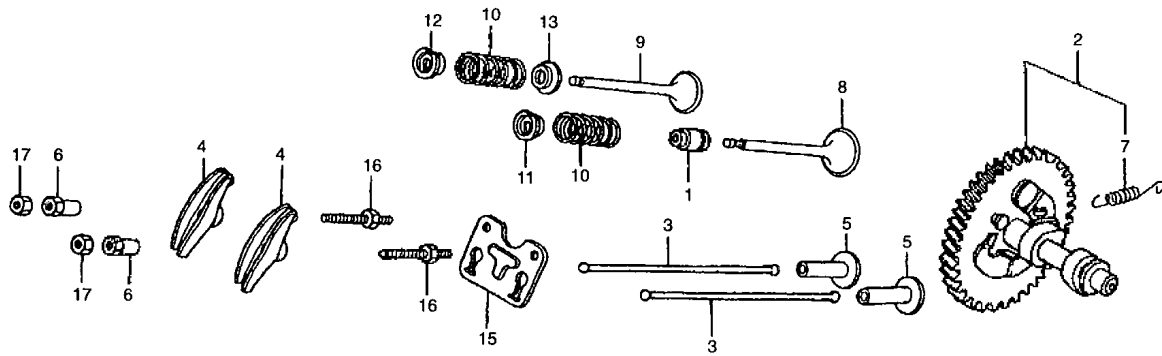
HONDA GX340R2EDE2/EDN2 — AIR CLEANER ASSY.



HONDA GX340R2EDE2/EDN2 — AIR CLEANER ASSY.

<u>NO.</u>	<u>PART NO.</u>	<u>PART NAME</u>	<u>QTY.</u>	<u>REMARKS</u>
1	15721Z23H60	TUBE BREATHER	1	
2	17211899000	ELEMENT, AIR CLEANER	1	
3	17220Z23530	CASE COMP, AIR CLEANER	1	
4	17222Z23H60	STAY, AIR CLEANER	1	
5	17223Z23000	SPRING, AIR CLEANER CASE LID	1	
6	17223Z23S30	BASE COMP, AIR CLEANER	1	
7	17229Z23H60	SEAL AIR CLEANER CASE	1	
8	17231Z23H60	COVER, AIR CLEANER	1	
9	17229Z23H60	SEAL AIR CLEANER COVER	1	
10	17238ZE7710	COLLAR, AIR CLEANER	1	
11	90005ZM3000	BOLT, FLANGE, 5X18	4	
13	957010603208	BOLT, FLANGE, 6X32	1	
13	9405006000	BOLT, FLANGE, 6 MM	1	

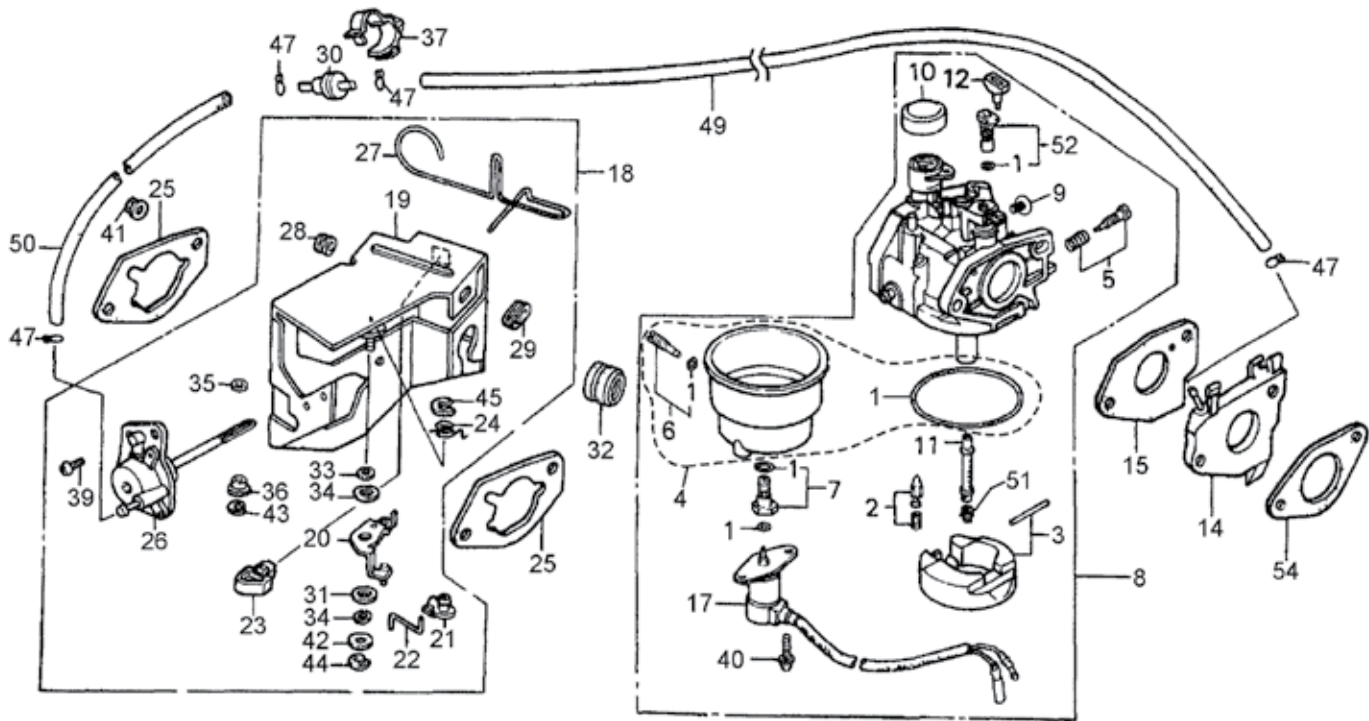
HONDA GX340R2EDE2/EDN2 — CAMSHAFT ASSY.



HONDA GX340R2EDE2/EDN2 — CAMSHAFT ASSY.

<u>NO.</u>	<u>PART NO.</u>	<u>PART NAME</u>	<u>QTY.</u>	<u>REMARKS</u>
1	12209ZE8003	SEAL VALVE STEM	1	
2	14100Z5K810	CAMSHAFT ASSY.....	1	INCLUDES ITEMS W/\$
3	14410ZE3013	ROD, PUSH	2	
4	14431ZE2010	ARM, VALVE ROCKER	2	
5	14441ZE2000	LIFTER VALVE	2	
6	14451ZE1013	PIVOT, ROCKER ARM	2	
7\$	14568ZE1000	SPRING, WEIGHT RETURN	1	
8	14711Z5T000	VALVE, IN.	1	
9	14721Z5T000	VALVE, EX.	1	
10	14751ZE2003	SPRING, VALVE	2	
11	14771ZE2000	RETAINER, INTAKE VALVE SPRING	1	
12	14773ZE2000	RETAINER, EXHAUST VALVE SPRING	1	
13	14775ZE2010	SEAT, VALVE SPRING	1	
14	14781ZE2000	ROTATOR, VALVE	1	
15	14791ZE2010	PLATE, PUSH ROD GUIDE	1	
16	90012ZE0010	BOLT, PIVOT (8MM)	2	
17	90206ZE1000	NUT, PIVOT ADJ.	2	

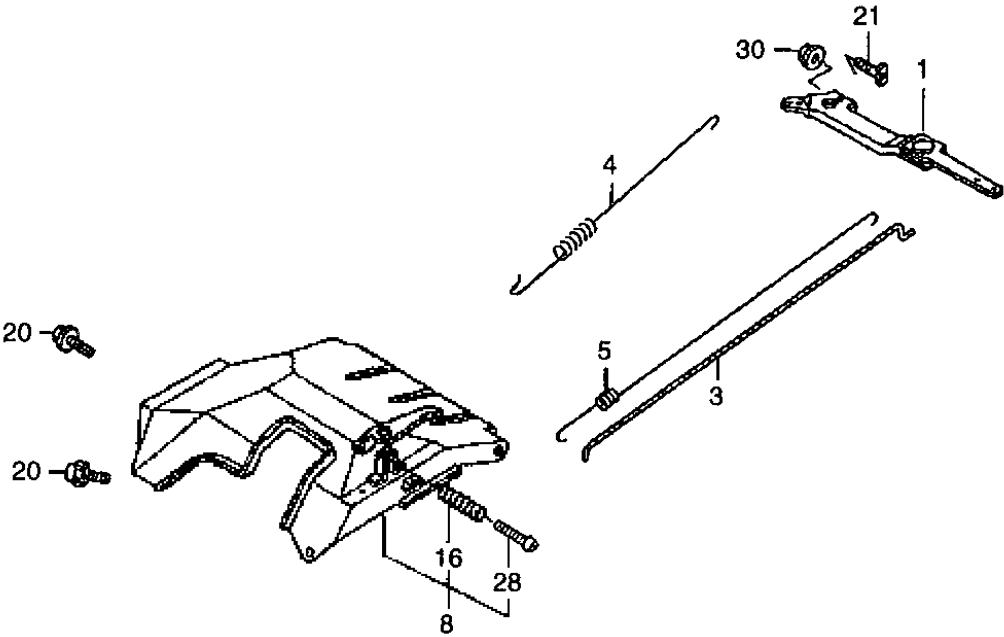
HONDA GX340R2EDE2/EDN2 — CARBURETOR ASSY.



HONDA GX340R2EDE2/EDN2 — CARBURETOR ASSY.

<u>NO.</u>	<u>PART NO.</u>	<u>PART NAME</u>	<u>QTY.</u>	<u>REMARKS</u>
1\$+♦♣@	16010ZE3701	GASKET SET	1	
2\$	16011ZA0931	VALVE SET, FLOAT	1	
3\$	16013Z1C003	FLOAT SET	1	
4\$%	16015ZA0931	CHAMBER SET, FLOAT	1	INCLUDES ITEMS W/@
5\$	16016ZH7W01	SCREW SET	1	
6\$%@	16024124760	SCREW SET, DRAIN	1	INCLUDES ITEMS W/+
7\$%	16028ZA0931	SCREW SET B	1	INCLUDES ITEMS W/♦
8	16100Z8W701	CARBURETOR ASSY.....	1	INCLUDES ITEMS W/\$
9\$	16124ZE0005	SCREW, THROTTLE STOP	1	
10\$	16148141881	CAP, CHOKE LEVER DUST	1	
11\$	16166ZE3F10	NOZZLE, MAIN	1	
12\$	16172ZE3W10	COLLAR, SETTING	1	
14	16211Z9H700	INSULATOR, CARBURETOR	1	
15	16221Z8T000	GASKET, INSULATOR	1	
17\$	16230ZE3702	VALVE ASSY., SOLENOID	1	
18	16260ZE3D22	STAY ASSY., MANUAL CHOKE.....	1	INCLUDES ITEMS W/#
19#	16261ZE2702	STAY, SOLENOID	1	
20#	16262ZE2711	LEVER, CHOKE	1	
21#	16263ZA0000	JOINT, ROD	1	
22#	16264ZE2701	ROD, CHOKE	1	
23#	16265ZE2721	STOPPER, CHOKE ROD	1	
24#	16268ZE2721	SPRING, MANUAL CHOKE	1	
25	16269ZA0800	GASKET, AIR CLEANER	2	
26#	16400ZE2704	DIAPHRAGM ASSY.	1	
27#	16611ZE3D21	ROD, CHOKE CONTROL	1	
28#	16613893000	GROMMET, CHOKE ROD	1	
29#	16615893000	GUIDE, CHOKE ROD	1	
30	36135ZF6D41	VALVE, DASHPOT CHECK	1	
31#	53149964003	BUSH, ARM PIVOT	1	
32	88911MJ3000	GROMMET, FENDER	1	
33#	90431ZE2700	WASHER, CHOKE LEVER	1	
34#	90432ZE2700	SEAL, CHOKE LEVER	2	
35#	90433ZE2700	WASHER, THRUST (2.7X8)	1	
36#	90434ZE2700	COLLAR, LEVER	1	
37	90650SD9003	CLIP, WIRE HARNESS	1	
39#	93500050120A	SCREW, PAN (5X12)	2	
40\$	938920501218	SCREW, WASHER (5X12)	2	
41	9405006000	NUT, FLANGE (6MM)	2	
42#	9410305000	WASHER, FLASH (5MM)	1	
43#	9454002010	E-RING (2MM)	1	
44#	9454004010	E-RING (4MM)	1	
45#	9454007010	E-RING (7MM)	1	
47	9500202070	CLIP, TUBE (B7)	4	
49	950053507510	TUBE (3.5X75)	1	
50	950053513010	TUBE (3.5X130)	1	
51\$	99101ZH80950	JET, MAIN (#95)	1	
51\$	99101ZH80980	JET, MAIN (#98)	1	
52\$	99204ZE00380	JET, SET PILOT MAIN, (#38)	1	INCLUDES ITEMS W/♣
54	16212Z5T000	GASKET, CARBURETOR INSULATOR	1	

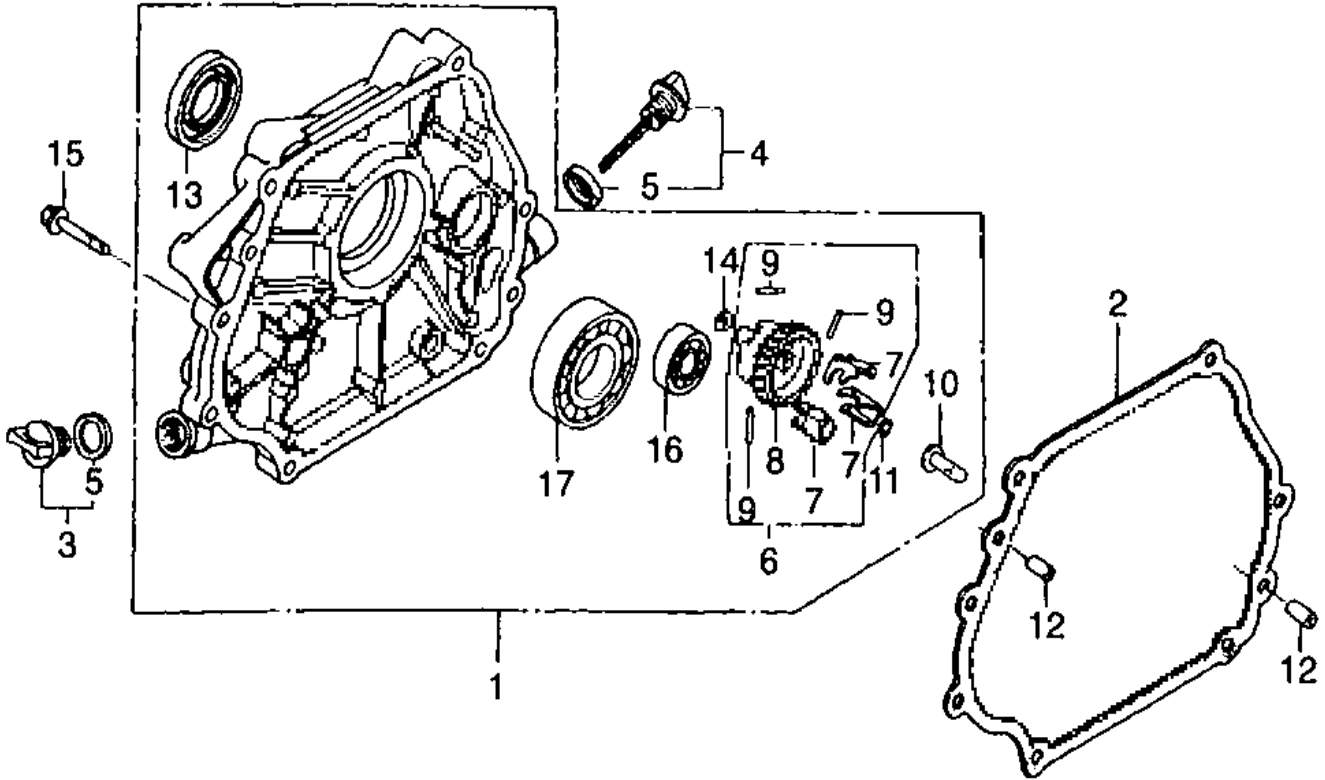
HONDA GX340R2EDE2/EDN2 — CONTROL ASSY.



HONDA GX340R2EDE2/EDN2 — CONTROL ASSY.

<u>NO.</u>	<u>PART NO.</u>	<u>PART NAME</u>	<u>QTY.</u>	<u>REMARKS</u>
1	16550ZE3700	ARM, GOVERNOR	1	
3	16555ZE3000	ROD, GOVERNOR	1	
4	16561ZK6D70	SPRING, GOVERNOR	1	
5	16562ZE3700	SPRING, THROTTLE RETURN	1	
8	16570Z5T880	CONTROL ASSY.....	1	INCLUDES ITEMS W/\$
16\$	16584883300	SPRING, CONTROL ADJUSTING	1	
20	90013883000	BOLT, FLANGE 6X12	2	
21	90015ZE5010	BOLT, GOVERNOR ARM	1	
28\$	93500050350A	SCREW, PAN (5X35)	1	
30	9405006000	NUT, FLANGE (6MM)	1	

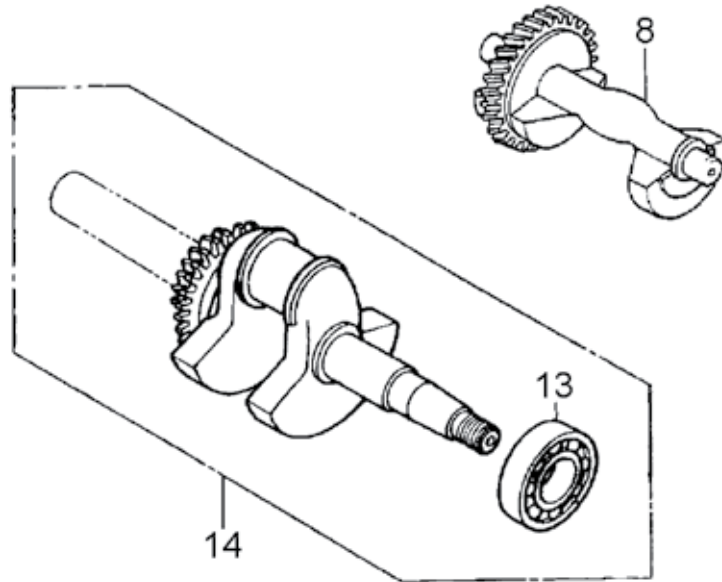
HONDA GX340R2EDE2/EDN2 — CRANKCASE COVER ASSY.



HONDA GX340R2EDE2/EDN2 — CRANKCASE COVER ASSY.

NO.	PART NO.	PART NAME	QTY.	REMARKS
1	11300ZE3040	COVER ASSY., CRANKCASE.....	1.....	INCLUDES ITEMS W/\$
2	11381Z5T000	PACKING CRANKCASE COVER	1	
3	15600ZG4003	CAP ASSY., OIL FILLER	1.....	INCLUDES ITEMS W/%
4	15600735003	CAP ASSY., OIL FILLER	1.....	INCLUDES ITEMS W/@
5%@	15625ZE1003	PACKING, OIL FILTER	2	
6\$	16510ZE3000	GOVERNOR ASSY.....	1.....	INCLUDES ITEMS W/#
7#\$	16511ZE8000	WEIGHT, GOVERNOR	3	
8#\$	16512ZE3000	HOLDER, GOVERNOR WEIGHT	1	
9#\$	16513ZE2000	PIN, GOVERNOR WEIGHT	3	
10\$	16531ZOA000	SLIDER, GOVERNOR	1	
11\$	90602ZE1000	CLIP, GOVERNOR HOLDER	1	
12	90701HC4000	PIN, DOWEL (8X12)	2	
13\$	91201ZE3004	OIL SEAL (35X52X8).....	1.....	REPLACES 92102ZE3004
14\$	9410106800	WASHER, PLAIN (6MM)	1	
15	957010804000	BOLT, FLANGE (8X40)	7	
16\$	961006202000	BEARING, RADIAL BALL (6202)	1	
17\$	961006207000	BEARING, RADIAL BALL (6207)	1	

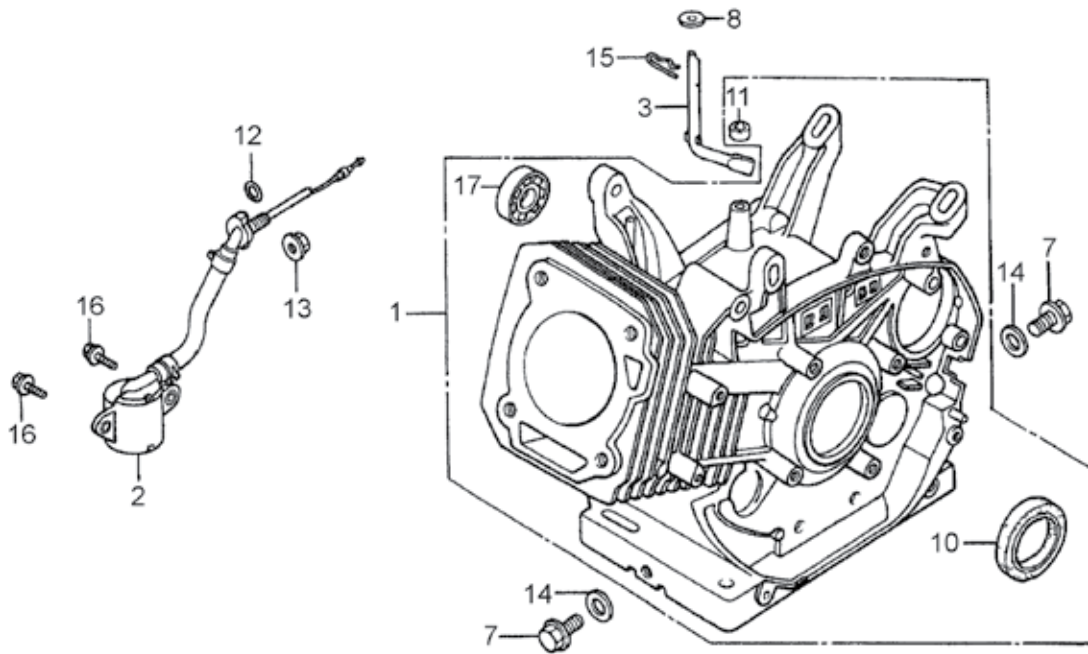
HONDA GX340R2EDE2/EDN2 — CRANKSHAFT ASSY.



HONDA GX340R2EDE2/EDN2 — CRANKSHAFT ASSY.

<u>NO.</u>	<u>PART NO.</u>	<u>PART NAME</u>	<u>QTY.</u>	<u>REMARKS</u>
8	13351ZE3010	WEIGHT, BALANCER	1	
13#	961001ZF6013	BEARING, RADIAL BALL (6207)	1	
14	13310ZF6D42	CRANKSHAFT COMP.....	1.....	INCLUDES ITEM W/#

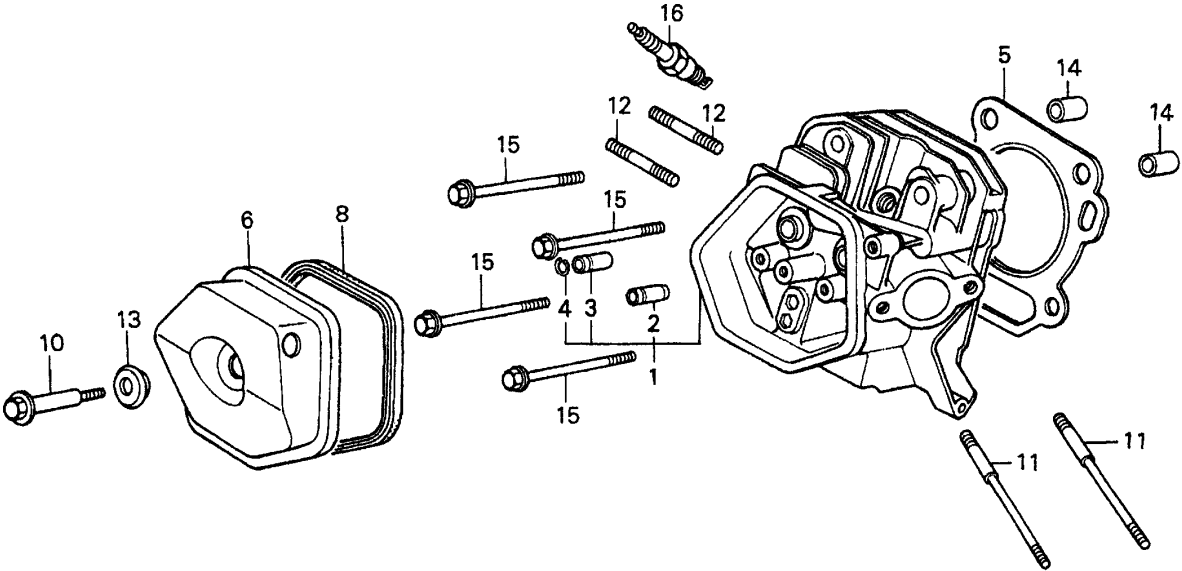
HONDA GX340R2EDE2/EDN2 — CYLINDER BARREL ASSY.



HONDA GX340R2EDE2/EDN2 — CYLINDER BARREL ASSY.

<u>NO.</u>	<u>PART NO.</u>	<u>PART NAME</u>	<u>QTY.</u>	<u>REMARKS</u>
1	12000Z5T405	BARREL ASSY, ELECTRIC START.....	1.....	INCLUDES ITEMS W/\$
1	12000Z5T407	BARREL ASSY, RECOIL START.....	1.....	INCLUDES ITEMS W/#
2	35480ZF6003	SWITCH ASSY., OIL LEVEL	1	
3	16541ZE3010	SHAFT, GOVERNOR ARM	1	
7	90131896650	BOLT, DRAIN PLUG	2.....	REPLACES P/N 90131883000
8	90446KE1000	WASHER (8.2X17X0.8)	1	
10\$#	91201Z1C003	OIL SEAL (35X52X8)	1	
11\$#	91201ZE9003	OIL SEAL (8X14X5).....	1.....	REPLACES P/N 91203952771
12	91353671003	O-RING (13.5X1.5)	1.....	REPLACES P/N 91353671004
13	9405010000	NUT, FLANGE (10MM)	1	
14	031112230	WASHER, DRAIN PLUG (12MM).....	2.....	REPLACES P/N 9410912000
15	9425110000	PIN, LOCK (10MM)	1	
16	957010601200	BOLT FLANGE (6X12)	2	
17\$#	961006202000	BEARING, RADIAL BALL (6202)	1	

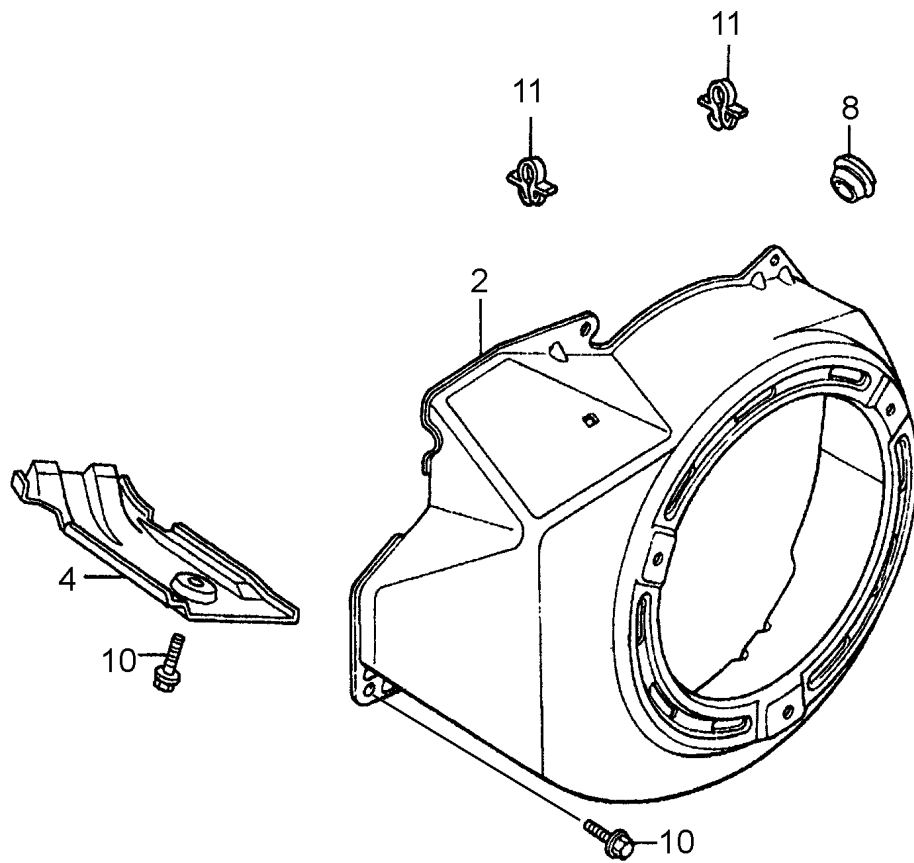
HONDA GX340R2EDE2/EDN2 — CYLINDER HEAD ASSY.



HONDA GX340R2EDE2/EDN2 — CYLINDER HEAD ASSY.

<u>NO.</u>	<u>PART NO.</u>	<u>PART NAME</u>	<u>QTY.</u>	<u>REMARKS</u>
1	12210Z5T406	CYLINDER HEAD.....	1.....	INCLUDES ITEMS W/\$
2\$	12204ZE2306	GUIDE, VALVE (OS) (OPTIONAL)	1	
3\$	12205ZE2305	GUIDE, EX. VALVE (OS) (OPTIONAL)	1	
4\$	12216ZE2300	CLIP, VALVE GUIDE	1	
5	12251Z5T003	GASKET, CYLINDER HEAD	1	
6	12310Z5T000	COVER, CYLINDER HEAD	1	
8	12391ZE2020	GASKET, CYLINDER HEAD COVER	1	
10	90014ZE2000	BOLT, HEAD COVER	1	
11	90042ZK6D70	BOLT, STUD (8X106)	2	
12	92900080320E	BOLT 2, STUD (8X32)	2	
13	90441ZE2010	WASHER, HEAD COVER	1	
14	9430112200	PIN A, DOWEL (12X20)	2	
15	957011008000	BOLT, FLANGE (10X80)	4	
16	9807955846	SPARK PLUG (BPR5ES) (NGK) (OPTIONAL)	1	
16	9807955855	SPARK PLUG (W16EPR-U) (DENSO)	1	

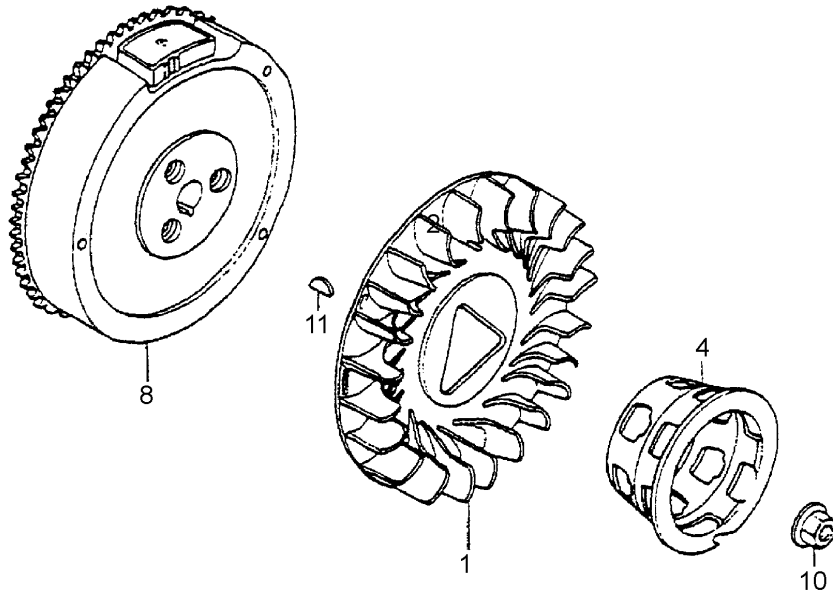
HONDA GX340R2EDE2/EDN2 — FAN COVER ASSY.



HONDA GX340R2EDE2/EDN2 — FAN COVER ASSY.

<u>NO.</u>	<u>PART NO.</u>	<u>PART NAME</u>	<u>QTY.</u>	<u>REMARKS</u>
2	19610Z5T800ZC	COVER, FAN *NH1* (BLACK)	1	
4	19631Z5T000	SHROUD	1	
8	81329567020	GROMMET, DRAIN HOLE	1	
10	90013883000	BOLT, FLANGE (6X12) (CT200)	6	
11	90654SA4003	CLIP, WIRE HARNESS (6MM) (WHITE)	2	

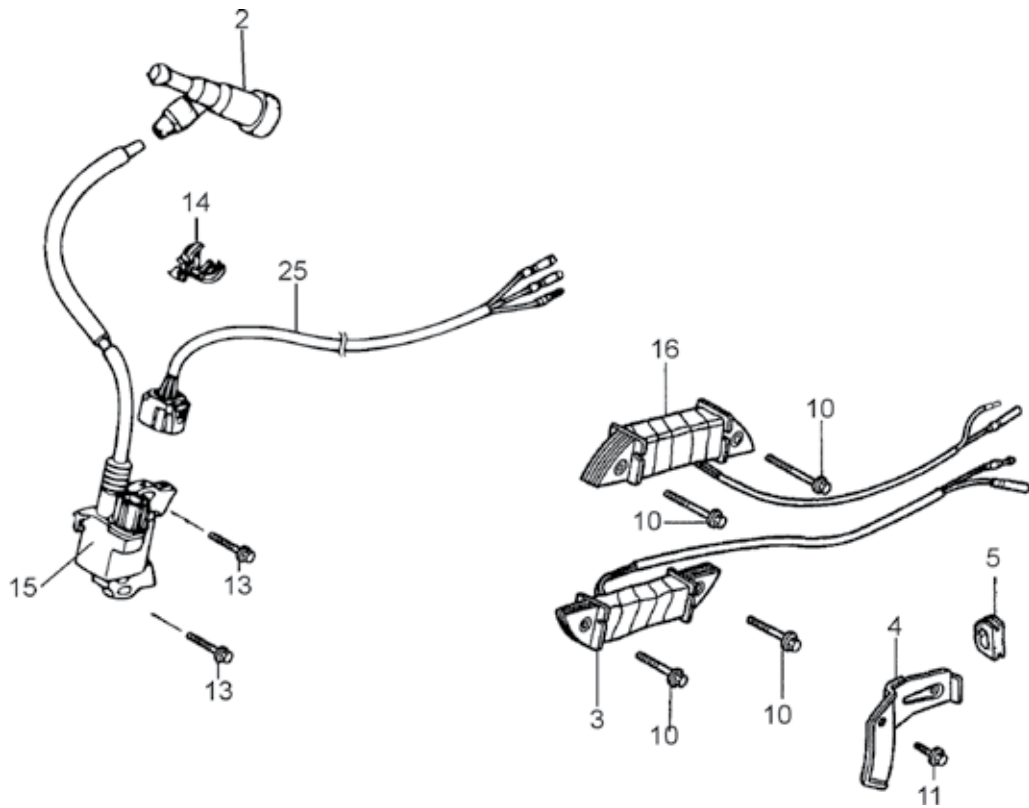
HONDA GX340R2EDE2/EDN2 — FLYWHEEL ASSY.



HONDA GX340R2EDE2/EDN2 — FLYWHEEL ASSY.

<u>NO.</u>	<u>PART NO.</u>	<u>PART NAME</u>	<u>QTY.</u>	<u>REMARKS</u>
1	19511ZE3000	FAN, COOLING	1	
4	28451ZE3W01	PULLEY, STARTER	1	
8	31100Z5T810	FLYWHEEL COMP., (RECOIL STRART)	1	
8	31100Z5T820	FLYWHEEL COMP., ELECTRIC START		
10	90201ZE3790	NUT, SPECIAL 16MM	1	
11	90741ZE2000	KEY, SPECIAL WOODRUFF (25X18)	1	

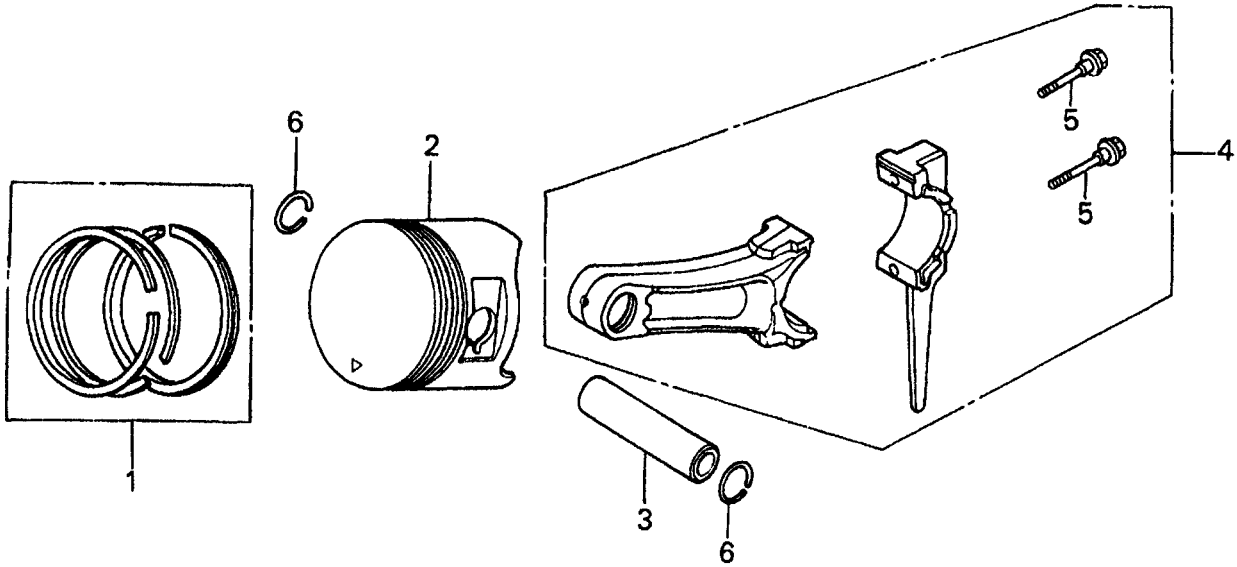
HONDA GX340R2EDE2/EDN2 — IGNITION COIL ASSY.



HONDA GX340R2EDE2/EDN2 — IGNITION COIL ASSY.

<u>NO.</u>	<u>PART NO.</u>	<u>PART NAME</u>	<u>QTY.</u>	<u>REMARKS</u>
2	30700ZE1013	CAP ASSY., NOISE SUPPRESSOR	1	
3	31510ZE3003	COIL ASSY., LAMP (12V/25W)	1	
4	31511ZE3000	CLAMP, WIRE	1	
5	31512ZE2000	GROMMET, WIRE	1	
10	90012888000	BOLT, FLANGE (6X40)	4	
11	90013883000	BOLT, FLANGE (6X12) (CT200)	1	
13	90015883000	BOLT, FLANGE (6X28)	2	
14	90684ZA0601	CLIP, HARNESS, RECOIL START	1	
15	30500Z5R003	COIL ASSY., IGNITION	1	
16	31510ZE1811	COIL ASSY., LAMP (12V/25W)	1	
25	32110Z5K000	HARNESS ASSY., ENGINE WIRE	1	

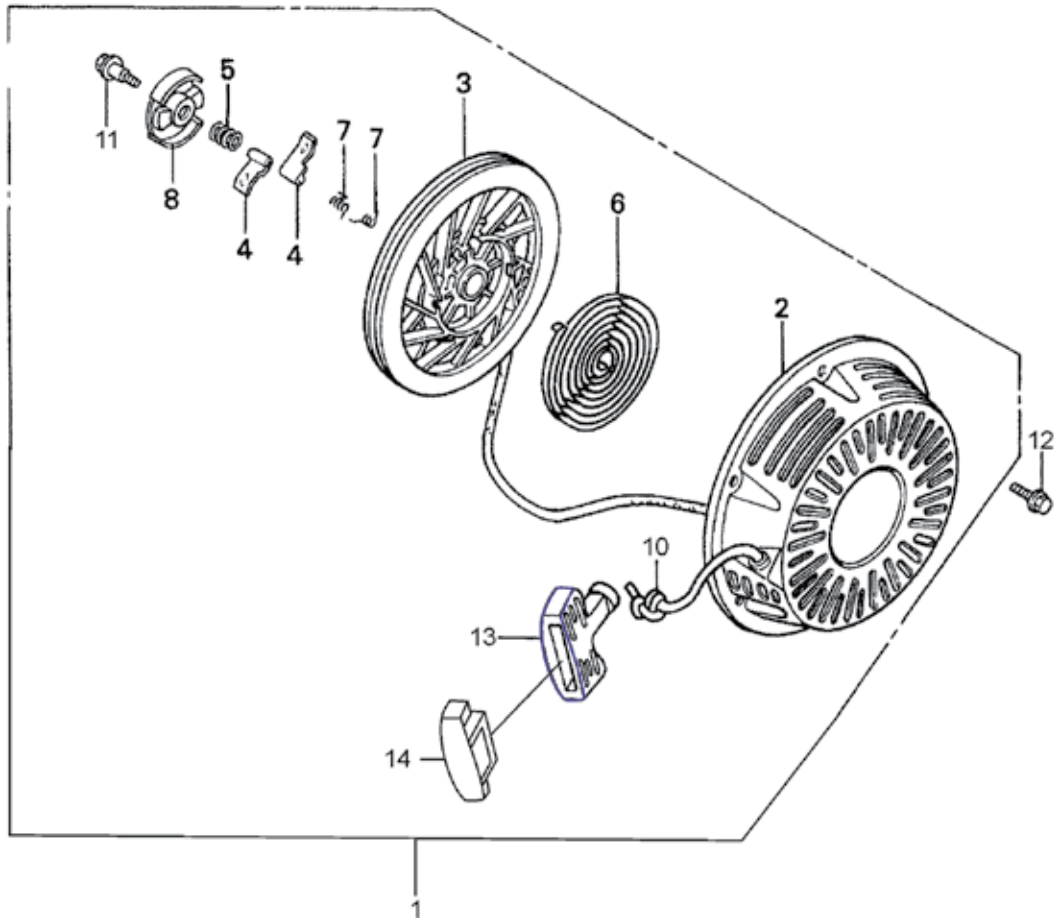
HONDA GX340R2EDE2/EDN2 — PISTON ASSY.



HONDA GX340R2EDE2/EDN2 — PISTON ASSY.

<u>NO.</u>	<u>PART NO.</u>	<u>PART NAME</u>	<u>QTY.</u>	<u>REMARKS</u>
1	13010Z5R004	RING SET, PISTON (STD)	1	
1	13011Z5R004	RING SET, PISTON (OS 0.25) (OPTIONAL)	1	
1	13012Z5R004	RING SET, PISTON (OS 0.50) (OPTIONAL)	1	
1	13013Z5R004	RING SET, PISTON (0.75) (OPTIONAL)	1	
2	13101Z5T800	PISTON (STD)	1	
2	13102Z5T800	PISTON (0.25)	1	
2	13103Z5T800	PISTON (0.50)	1	
2	13104Z5T800	PISTON (0.75)	1	
3	13111Z5T000	PIN, PISTON	1	
4	13200ZE3020	ROD ASSY., CONNECTING (STD)	1.....	INCLUDES ITEMS W/\$
5\$	90001ZE8000	BOLT, CONNECTING ROD	2	
6	90601ZE3000	CLIP, PISTON PIN (20MM)	2	

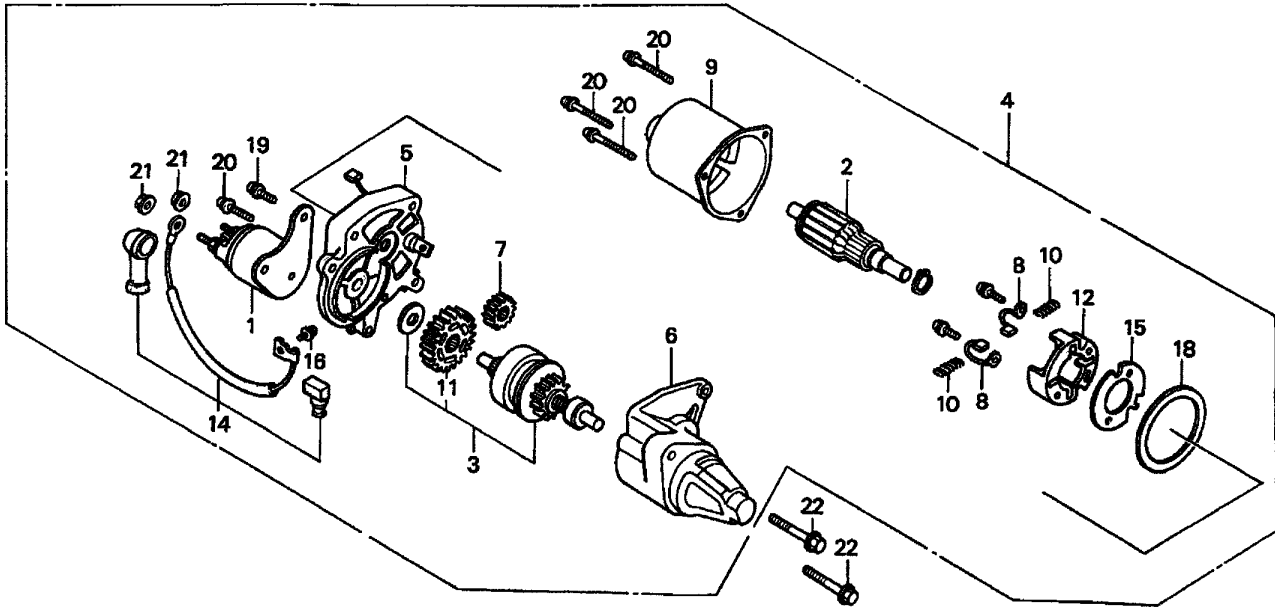
HONDA GX340R2EDE2/EDN2 — RECOIL STARTER ASSY.



HONDA GX340R2EDE2/EDN2 — RECOIL STARTER ASSY.

NO.	PART NO.	PART NAME	QTY.	REMARKS
1	28400Z5T305ZB	STARTER ASSY., RECOIL *NH1* (BLACK)	1.....	INCLUDES ITEMS W/\$ REPLACES P/N 28400Z5T003ZB
2\$	28410ZE3W01ZB	CASE, RECOIL STARTER *NH1* (BLACK)	1	
3\$	28421ZE3W01	PULLEY, RECOIL STARTER	1	
4\$	28422ZE2W01	RATCHET, STARTER	2	
5\$	28441ZE2W01	SPRING, FRICTION	1	
6\$	28442ZE2W01	SPRING, STARTER RETURN	1	
7\$	28443ZE2W01	SPRING, RATCHET	2	
8\$	28444ZE2W01	RETAINER, SPRING	1	
10\$	28462ZV7003	ROPE, RECOIL STARTER	1.....	REPLACES P/N 28462ZE3W01
11\$	90004ZE2W01	SCREW, CENTER	1	
12	90008ZE2003	BOLT, FLANGE (6X10)	3	
13\$	28461Z5T003	GRIP, STARTER	1	
14\$	28463Z5T003	GRIP, REINFORCEMENT	1	

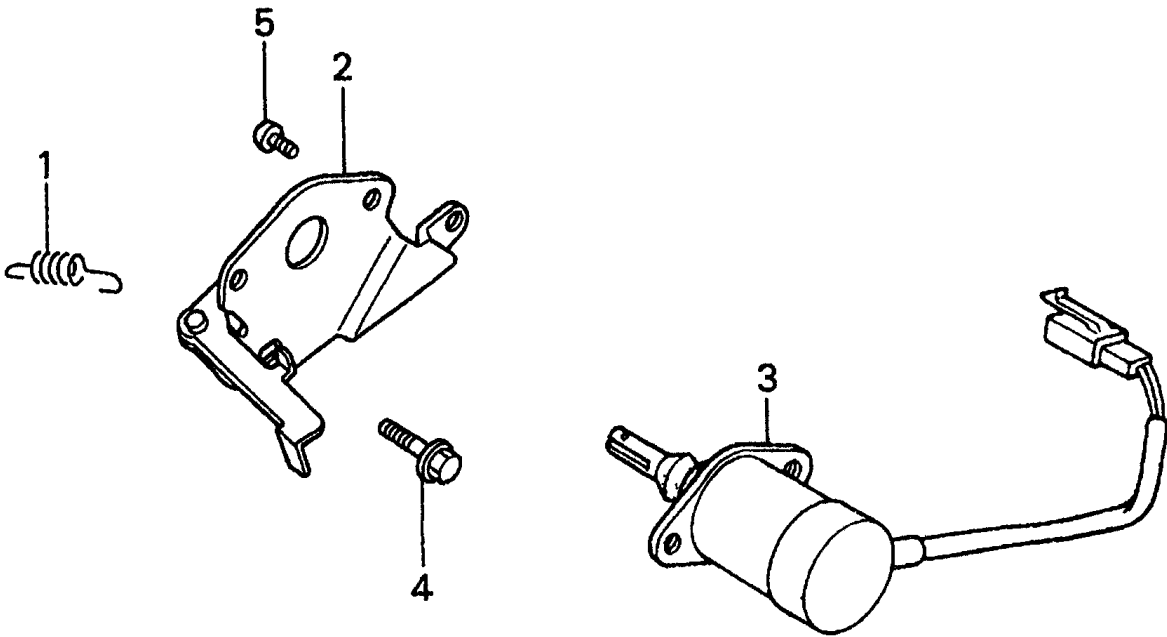
HONDA GX340R2EDE2 — STARTER MOTOR ASSY.



HONDA GX340R2EDE2 — STARTER MOTOR ASSY.

<u>NO.</u>	<u>PART NO.</u>	<u>PART NAME</u>	<u>QTY.</u>	<u>REMARKS</u>
1\$	31204ZA0003	CONTACTOR ASSY.	1	
2\$	31206ZE3003	ARMATURE COMPLETE	1	
3\$	31207ZE3003	CLUTCH, OVERRUNNING.....	1.....	INCLUDES ITEMS W/%
4	31210ZE3023	MOTOR UNIT, STARTER.....	1.....	INCLUDES ITEMS W/\$
5\$	31211ZE2003	BRACKET, CENTER	1	
6\$	31212ZE3003	BRACKET, FRONT	1	
7\$	31213ZE2003	GEAR, DRIVE PINION	1	
8\$	31215ZE2003	BRUSH	2	
9\$	31218ZE3003	YOKE COMPLETE	1	
10\$	31219ZE2003	SPRING, BRUSH RETURN	4	
11\$%	31222ZE3791	GEAR, REDUCTION	1	
12\$	31231ZE2003	HOLDER, BRUSH	1	
14\$	31232ZE3003	WIRE, WATER COVER.....	1.....	INCLUDES ITEMS W/#
15\$	31233ZE2003	INSULATOR	1	
16\$#	90110ZE2003	SCREW, WASHER (4X6)	1	
18\$	91601ZE2003	GASKET	1	
19\$	90007ZE2003	BOLT, WASHER (5X14)	2	
20\$	938920503218	SCREW, WASHER (5X32)	4	
21\$	9407006080	NUT, WASHER (6 MM)	2	
22	957010803508	BOLT, FLANGE (8X35)	2	

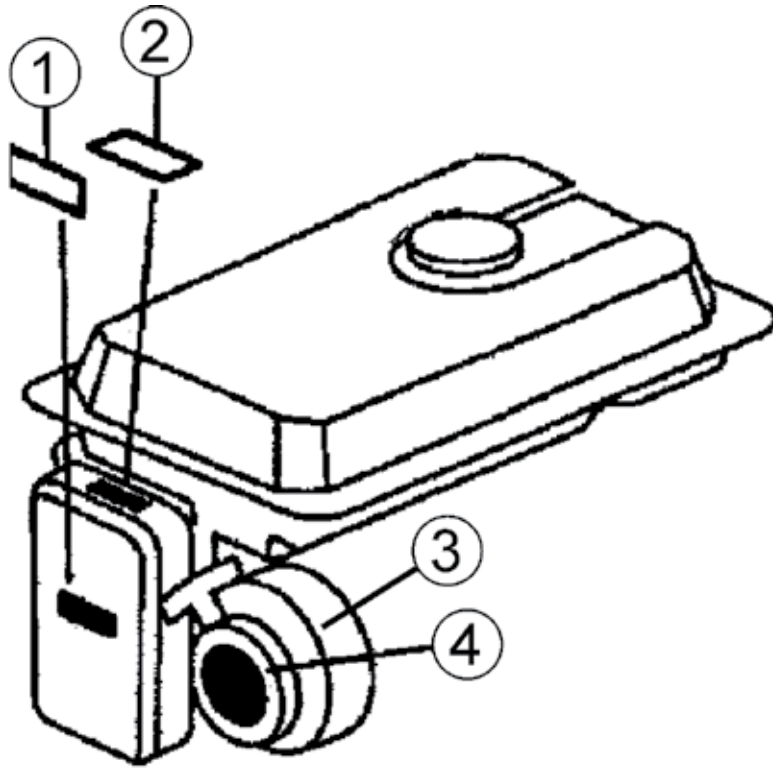
HONDA GX340R2EDE2/EDN2 — SOLENOID ASSY.



HONDA GX340R2EDE2/EDN2 — SOLENOID ASSY.

<u>NO.</u>	<u>PART NO.</u>	<u>PART NAME</u>	<u>QTY.</u>	<u>REMARKS</u>
1	16268893000	SPRING, CHOKE RETURN	1	
2	17850ZD1E30	LEVER, THROTTLE	1	
3	36160ZB4013	SOLENOID ASSY.	1	
4	90013883000	BOLT, FLANGE (6X12)	1	
5	93500050080A	SCREW, PAN (5X8)	2	

HONDA GX340R2EDE2/EDN2 — ENGINE DECALS ASSY.



HONDA GX340R2EDE2/EDN2 — ENGINE DECALS ASSY.

<u>NO.</u>	<u>PART NO.</u>	<u>PART NAME</u>	<u>QTY.</u>	<u>REMARKS</u>
1	87533ZC0630	DECAL, AIR CLEANER	1	
2	87528898620	DECAL, CHOKE	1	
3	87594ZB4A00	MARK, OIL CAUTION	1	
4	87521Z8T000	EMBLEM (GX340)	1	