



SPE20ES 50hz
Operating Manual
V1.02

SPE20ES-1 50hz
Operating Manual



SPARE PARTS BREAKDOWN

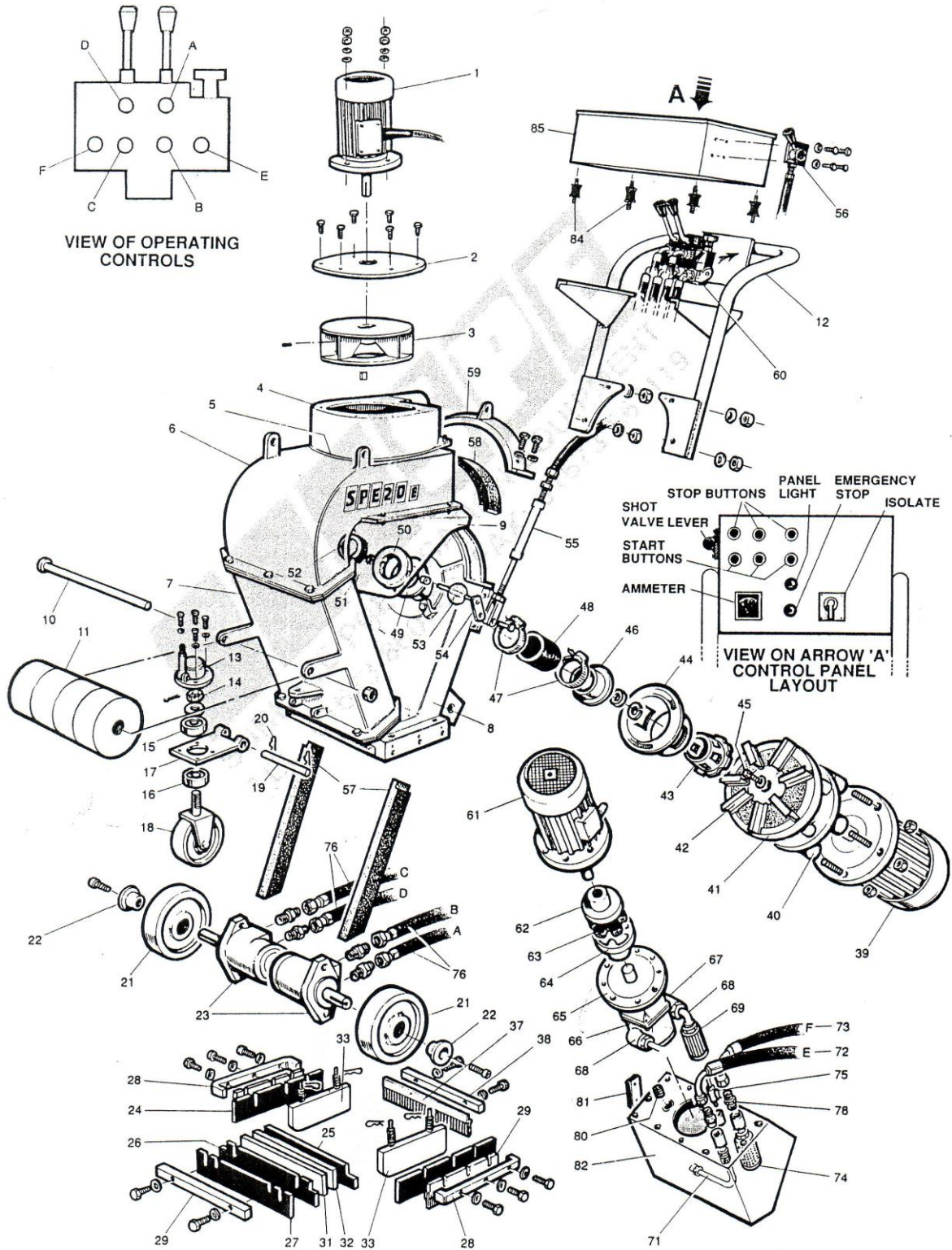
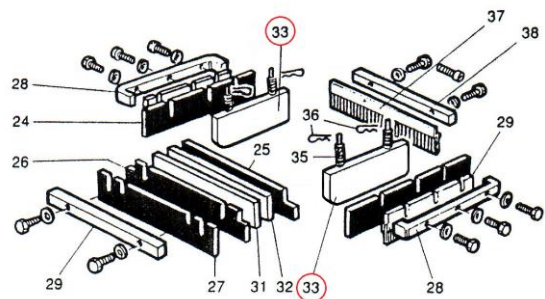
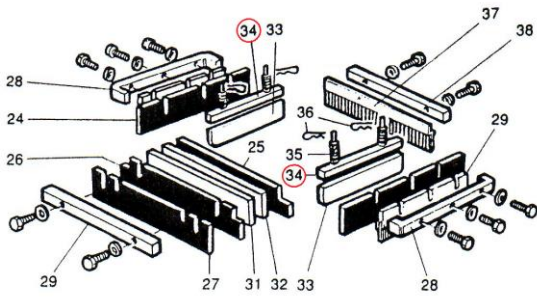


Fig No	Part No	Description
1	10059	Fan motor
2	01031	Fan casing top plate
3	01033	Fan impellor
4	01030	Fan casing
5	01032	Fan casing bottom plate
6	01002	Separator unit
7	01001	Reclaim housing
8	01000	Blast cabinet
9	01003	Abrasive hopper
11	01023	Balance Weights (5)
13	07022	Hub
14	07033	Castellated nut
15	07021	Bearing upper
16	07032	Bearing lower
17	01045	Front wheel support plate
18	07018	Front wheel
18A	07019	Stub axle
19	01046	Support plate pivot pin
20	08051	Retaining clip (2)
21	01025	Drive wheel (2)
22	07035	Retaining hub (2)
23	09009	Wheel motor (2)
24	03007	Side skirt seal (2)
25	03004	Inner front seal
26	03005	Intermediate front seal
27	03006	Outer front seal
28	01015	Side brush & seal retaining bar
29	03010	Side brush (2)
30	01016	Front seal retaining bar (outer)
31	01047	Inner seal retaining bar (drilled)
32	01048	Inner seal retaining bar (plain)
33	03003	Steel side seal (2) - Kit Contains:
34	01013	Tension bar (2) *OBSOLETE
35	01014	Side seal spring (4) - Can be ordered individually
36	08051	Retaining pin (4) - Can be ordered individually
37	03009	Rear brush
38	01049	Rear brush retaining bar
41	02000	Blast wheel
42	02001	Blast wheel blades (7 per set)
43	02003	Impeller
44	02002	Control cage
45	02004	Impellor bolt & spring washer
46	03022	Feed spout (cage end)
47	03026	Hose clip (2)
48	03027	Shot tube
49	03023	Feed spout (hopper end)
50	08046	Shot valve body
51	08047	Oilite bush (2)
52	08045	Shot valve line
53	08044	Shot valve butterfly
54	03025	Shot valve spindle
55	08043	Shot valve control cable

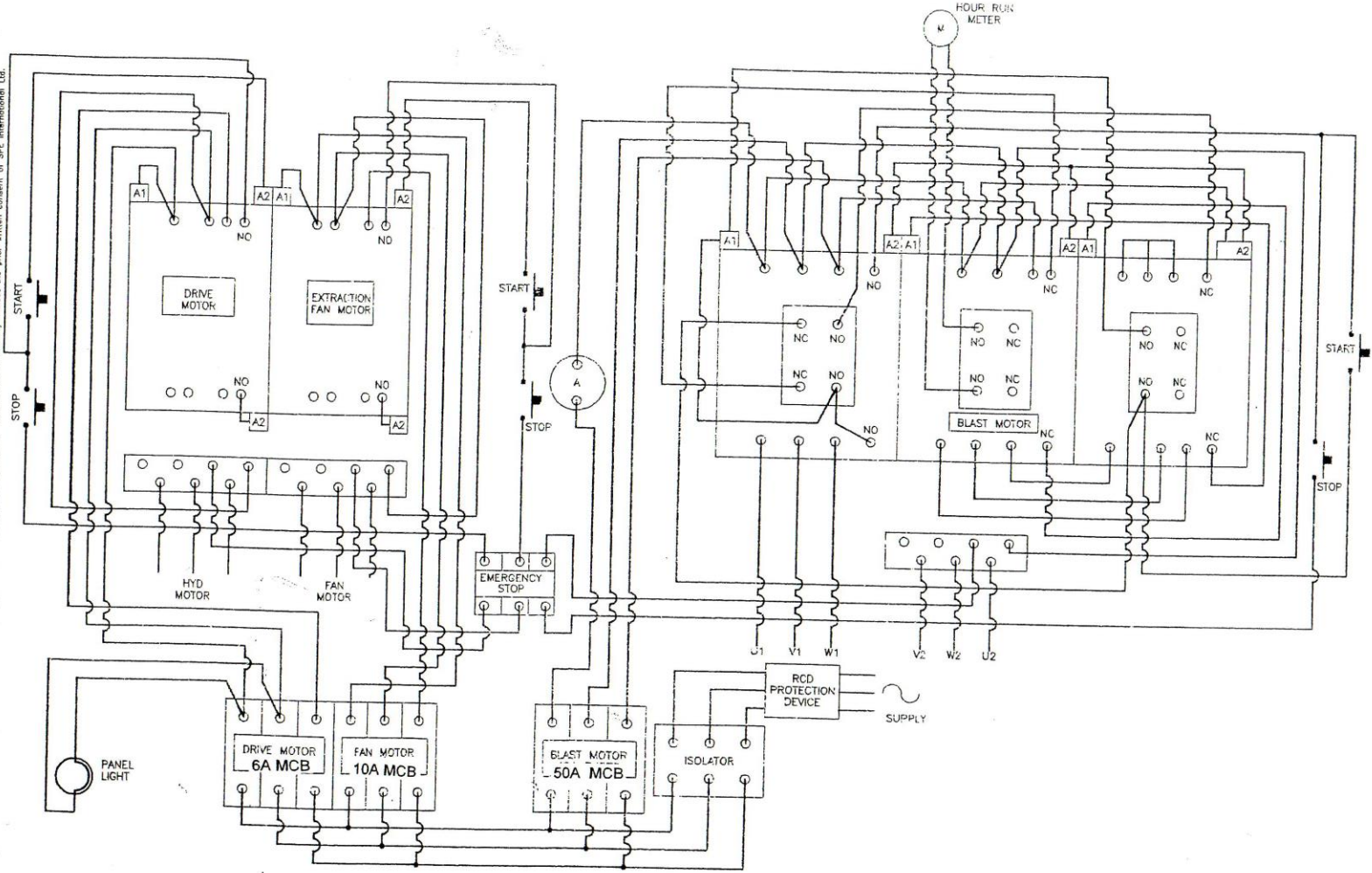
Fig No	Part No	Description
56	08042	Shot valve control lever
57	03000	Side liner (1) R/H---03001Side Liner(1) L/H
58	03002	Hood liner
59	03028	Hood liner cover
60	09010	Steering & speed control valve
61	05006	Pump motor
62	02012	Motor coupling
63	02011	Coupling spider
64	02013	Pump coupling
65	09055	Bell housing
66	09042	Hydraulic pump
67	09056	Port connector (inlet)
68	09057	Port connector (outlet)
69	04006	Filter (in tank suction)
70	04022	Elbow
71	04023	Pipe (port connector to tank lid)
74	09011	Diffuser (in tank return)
75	09008	Tank breather tap
77	09058	1/2" B.S.P M-M adaptor (10)
78	09061	3/4" B.S.P M-M adaptor
79	09059	3/4" x 1/2" B.S.P M-M adaptor
80	04024	Tank filter plug
81	09007	Sight level gauge
82	04025	Hydraulic tank
83	01044	Handle mounting bar
84	05028	Electric panel rubber mount (4)
85	05009	Electric control panel
90	05051	Protection bar
91	05052	Blast motor
92	05053	Blast motor mount plate
93	05054	Blast motor pulley
94	05055	Taper lock bush
95	05056	Drive belt (3)
96	05057	Blast shaft pulley
97	05058	Taper lock bush
98	05059	Bearing housing
99	05060	Housing end plate
100	05061	Housing inner plate (not illustrated)
101	05062	Blast shaft
102	05063	Blast shaft spacer (not illustrated)
103	05064	Bearing (2) (not illustrated)
104	05065	Circlip (not illustrated)
105	05066	Housing mount plate
106	05067	Upper weight bar
107	05068	Weight bar drop arm (2)
108	05069	Lower weight bar
109	05070	Handle
110	05071	Elec. panel enclosure
111	05072	Belt guard
112	05073	Belt guard back plate
113	05074	Hyd. hose LH wheel motor
114	05075	Hyd hose RH wheel motor
115	05076	Hyd hose (tank return)
116	05077	Hyd hose (tank to valve block)

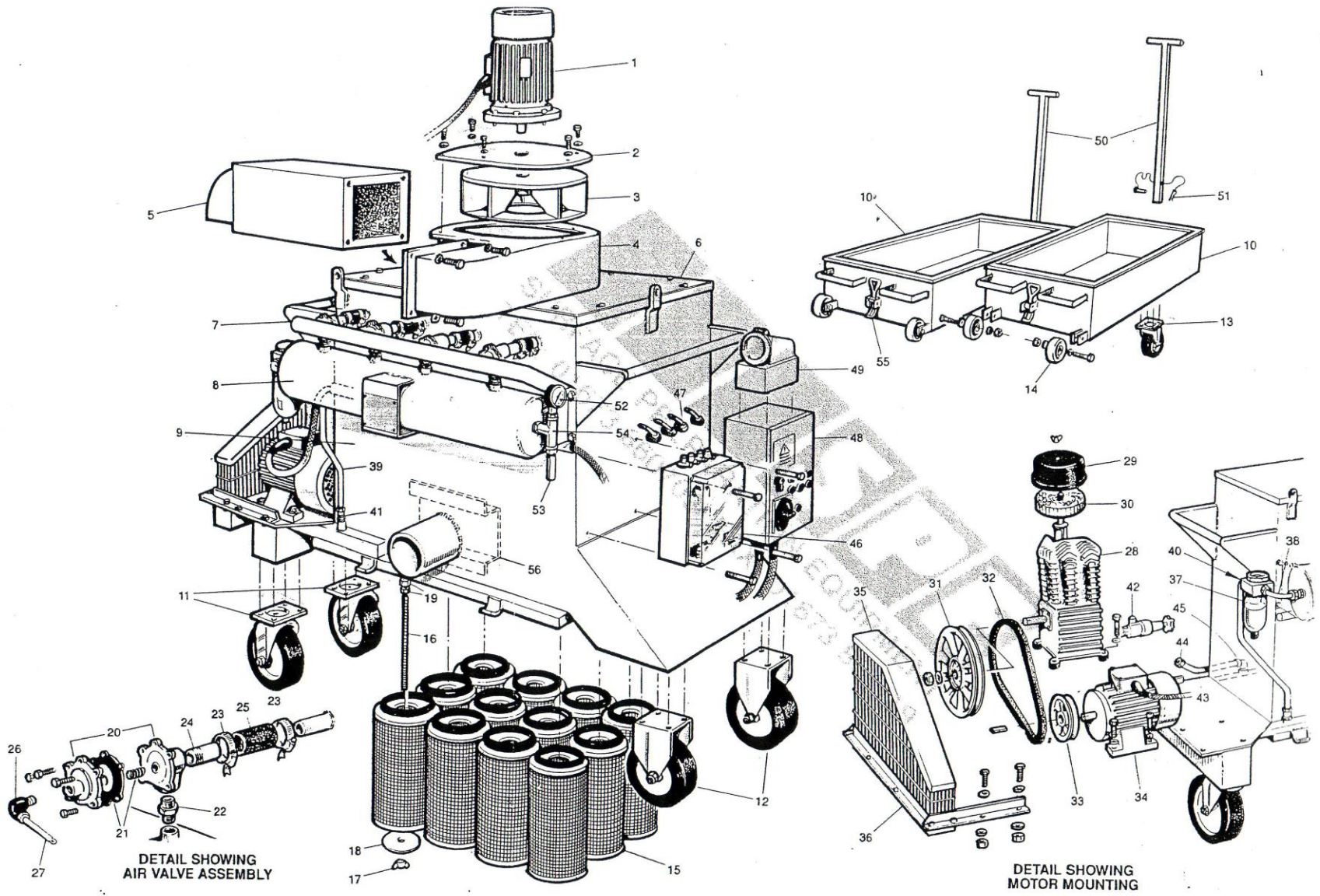
For *OBSOLETE Parts please see next page:

OBSOLETE PARTS



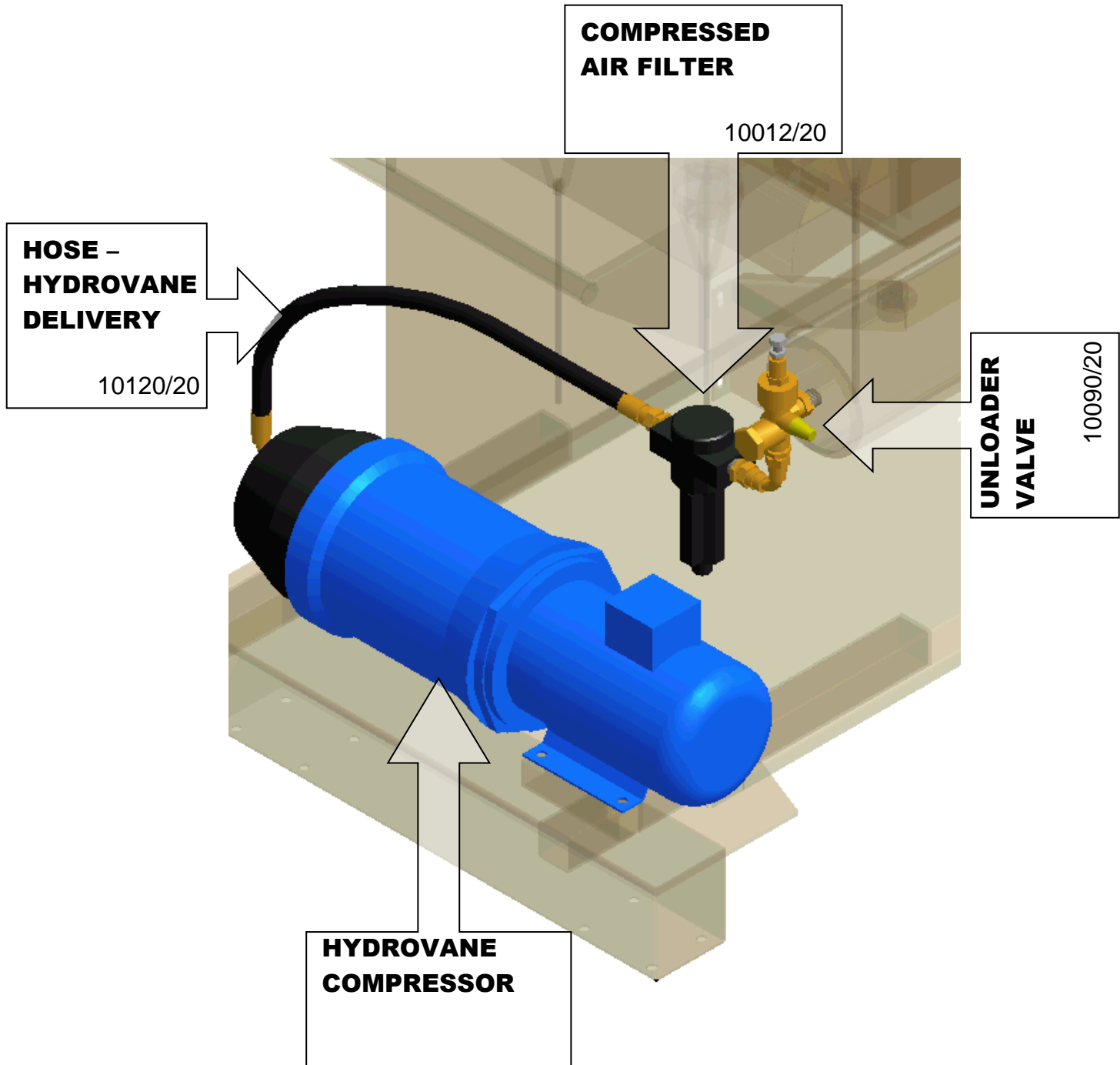
This drawing should not be used, copied, shown or handed to a third party without the prior written consent of SPE International Ltd.





DETAIL SHOWING
 AIR VALVE ASSEMBLY

DETAIL SHOWING
 MOTOR MOUNTING



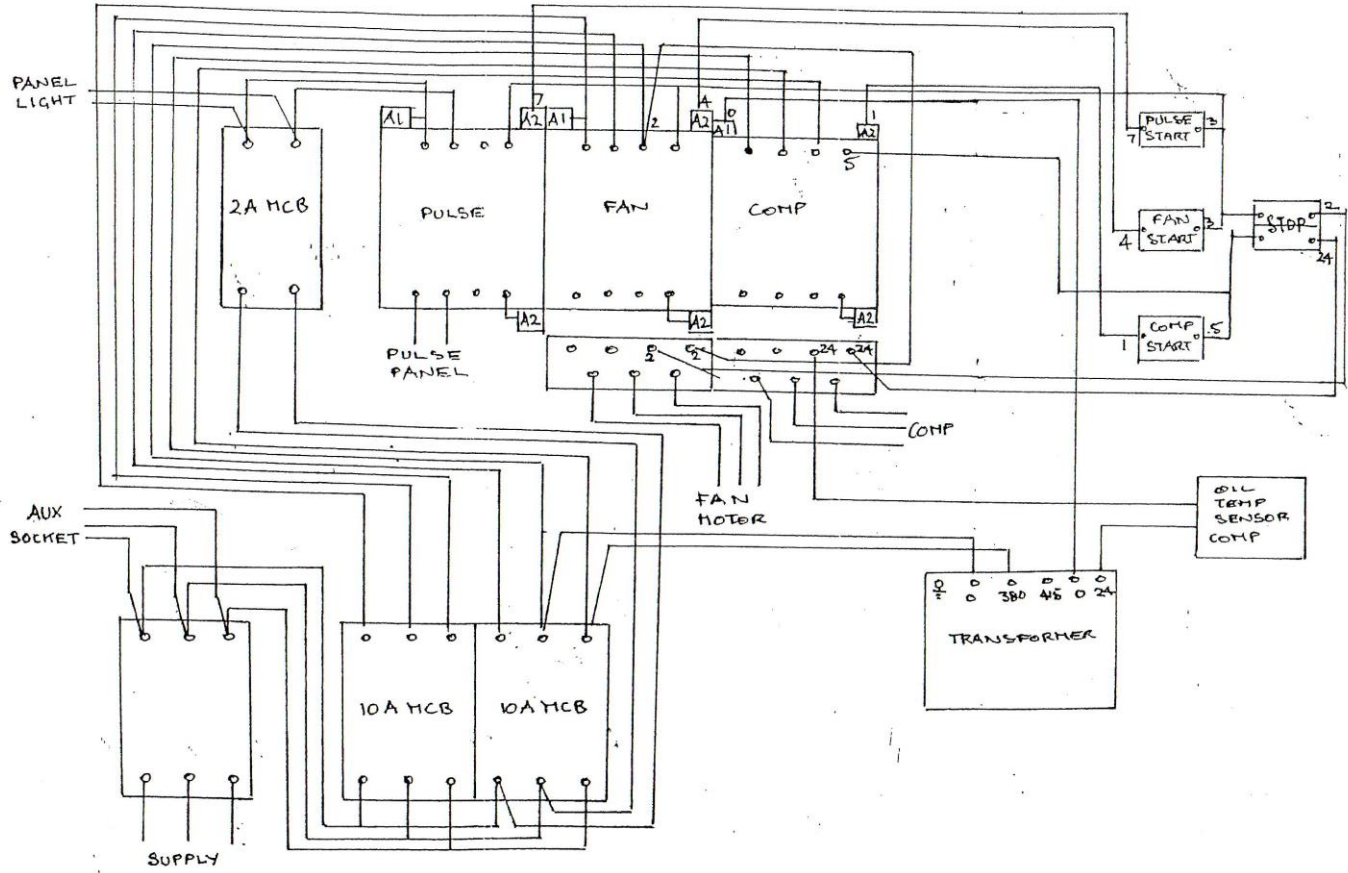
SPE 20 DCCs

Hydrovane Adaptation



20DCCS 50hz

Fig no	Part no	Description	Fig no	Part no	Description
3	10058	Impellor	45	10088	Fitting (pipe to tank)
4	10057	Fan casing	46	10054	Pulse panel
5	10065	Silencer	47	10093	Push-in connector (4)
6	10100	Lid	48	10055	Electric control panel
7	10102	Guard	49	10094	Electric socket
8	10068	Air receiver	50	10112	Handle (2)
9	10103	Main body	51	10096	Pin and clip assy (2)
10	10104	Dust tray (2)	52	10097	Pressure gauge
11	10050	Castor wheel (2)	53	10013	Pressure relief valve
12	10051	Fixed wheel (2)	54	10098	Tee piece
13	10052	Castor wheel (2)	55	10064	Over centre clips (4)
14	06006	Fixed wheel (2)	56	10113	Internal baffle plate
15	10056	Filter element (12)	60	10121	Fan motor
16	10070	Threaded rod (12)	61	10122	Motor mount plate
17	10071	Wing nut (12)	62	10123	Motor packer (not illustrated)
18	10072	Flat washer (12)	63	10124	Fan motor pulley
19	10073	Hex nut (24)	64	10125	Taper lock
20	10036	Diaphragm valve (4)	65	10126	Bearing housing
21	10037	Valve repair kit	66	10127	Bearing (2) (not illustrated)
22	10074	Connector (4)	67	10128	Circlip (2) (not illustrated)
23	10075	Clip (8)	68	10129	Shaft
24	10076	Hose connector (4)	69	10130	Pulley
25	10077	Hose (4)	70	10131	Taper lock
26	10078	Push-in connector (4)	71	10132	Drive belt
27	10079	Semi rigid piping	72	10133	Shaft sleeve (not illustrated)
28	10105	Compressor pump	73	10134	Belt guard
29	10080	Air filter assy	74	10135	Belt guard back plate
30	10081	Filter element			





SPECIFICATION SHEET

Specification 20ES Blast Machine	
Type	Electric 3 Phase
Part No.	SPE 20ES
Standard Blast Motor hp	30
Voltage	380/415
Cycles	60
Cleaning Width (mm)	520
Machine Dimensions (mm)	
Width	597
Height	1448
Length	1511
Weight (kg)	662

Specification 20ES Dust Collector	
Type	Electric 3 Phase
Part No.	SPE 20 D/C
Voltage	380/415
Cycles	60
Machine Dimensions (mm)	
Width	1030
Height	1600
Length	1730
Weight (kg)	400