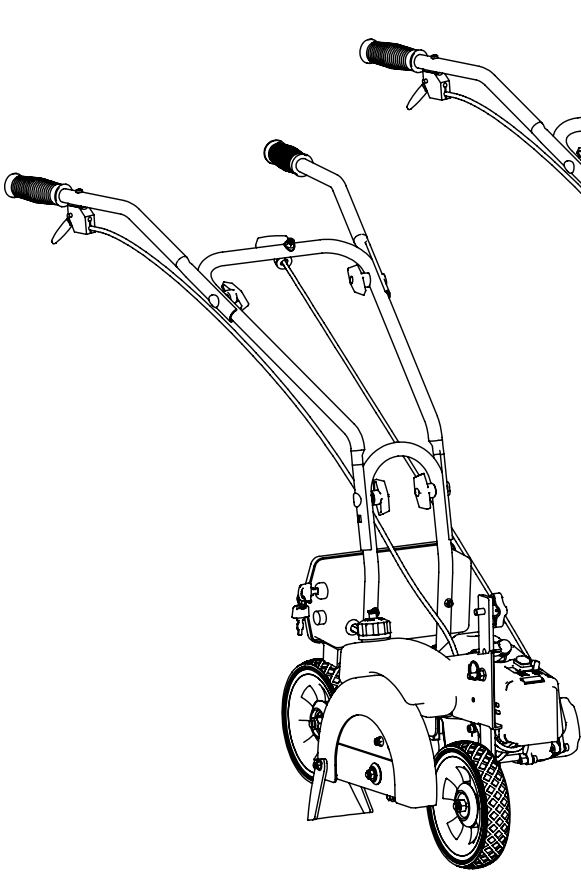
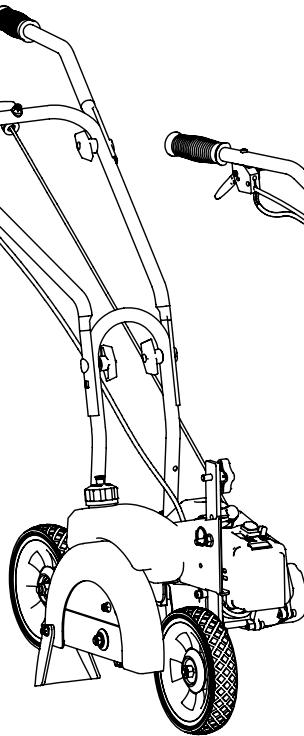




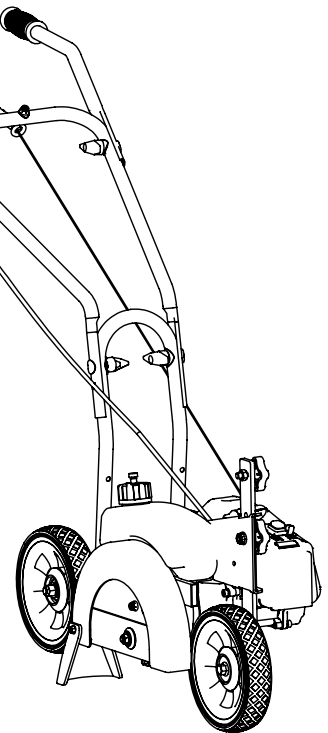
Operator's Manual
Original Operating Instructions
Walk-Behind Edger
WE43 Series



WE43E
(electric start)



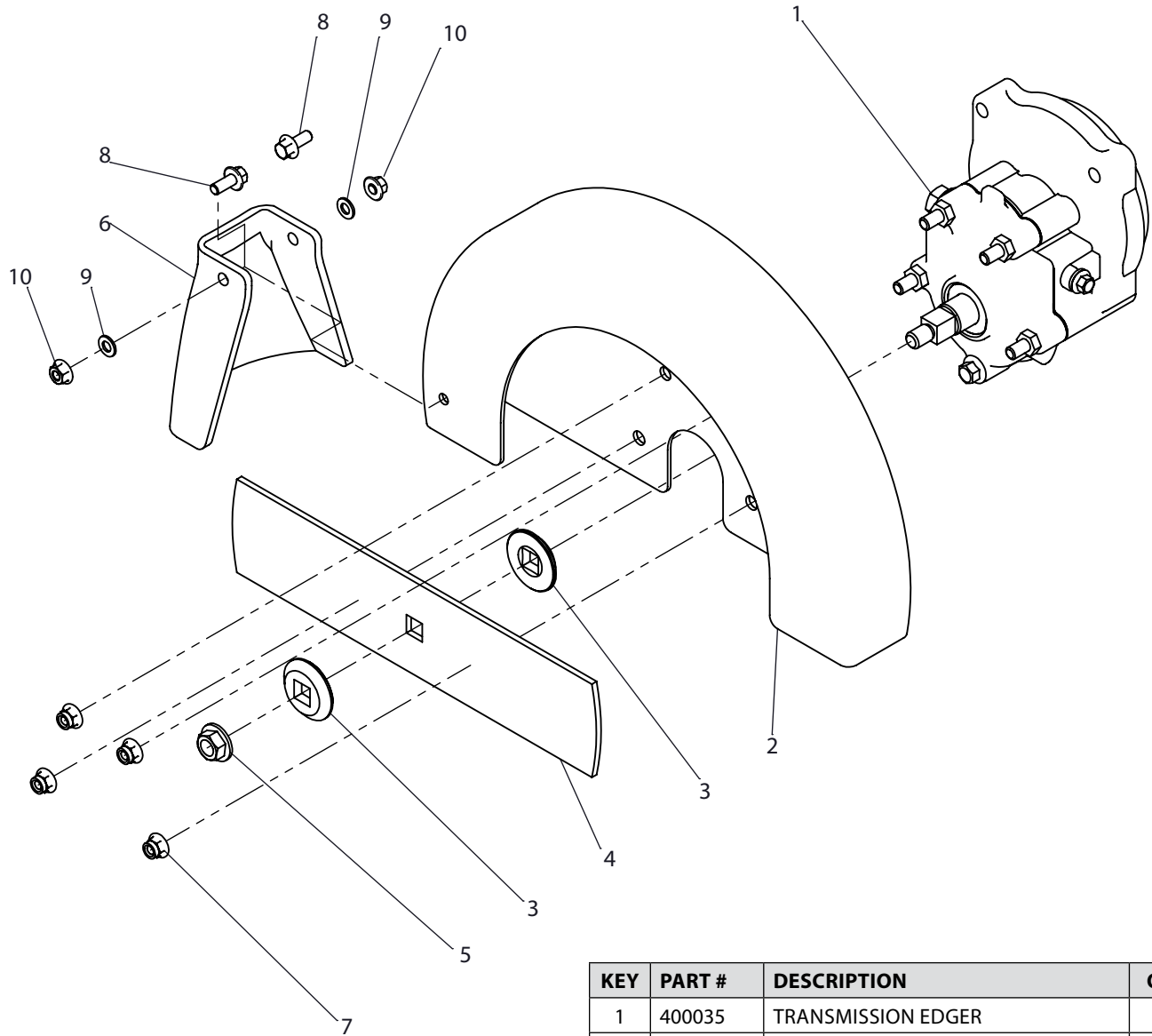
WE43
(manual start)



WE43CE
(European, manual start)

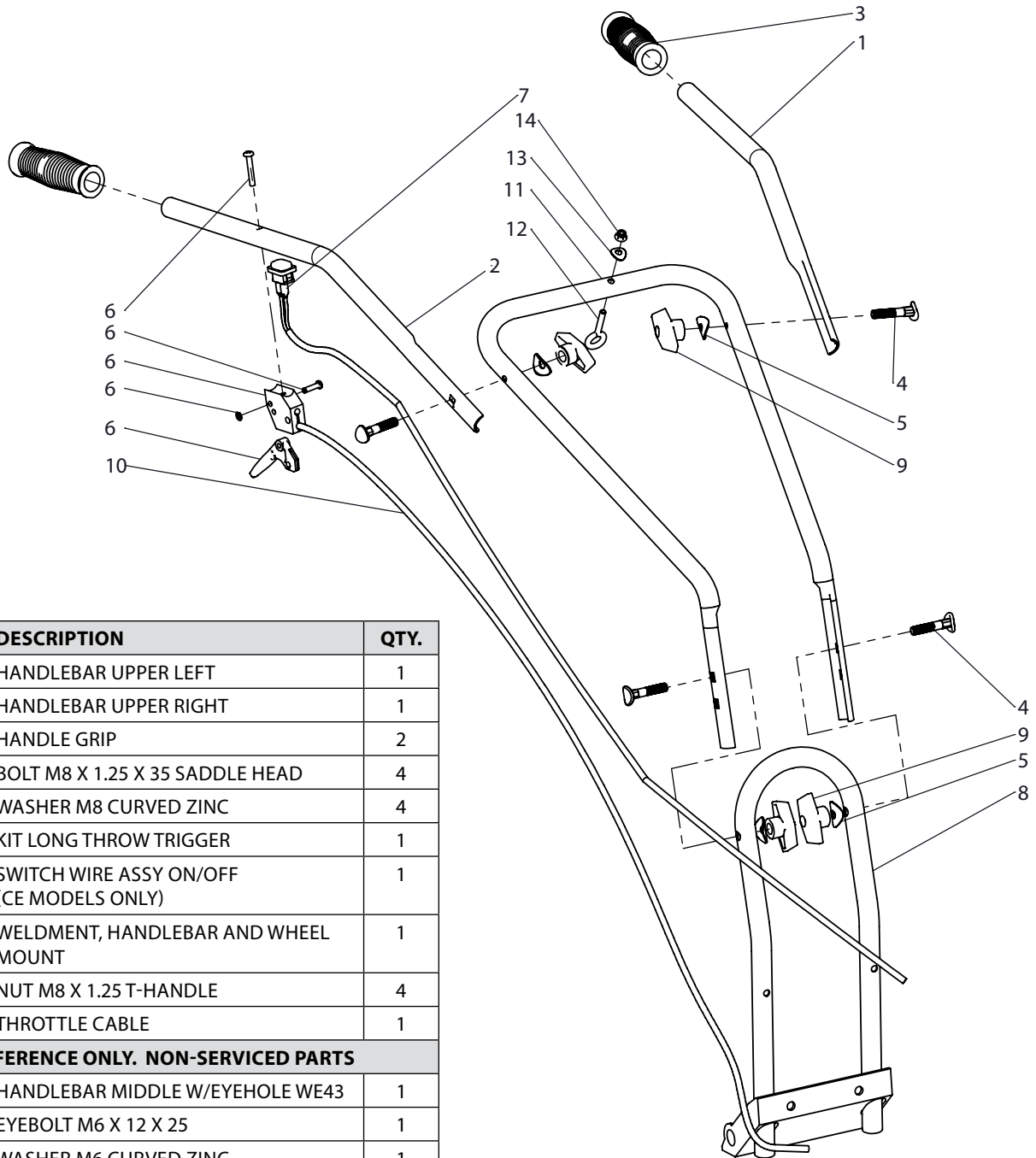
Includes models:
WE43
WE43E
WE43CE

PARTS BREAKDOWN WE43 SERIES TRANSMISSION AND BLADE PARTS EXPLOSION AND LIST



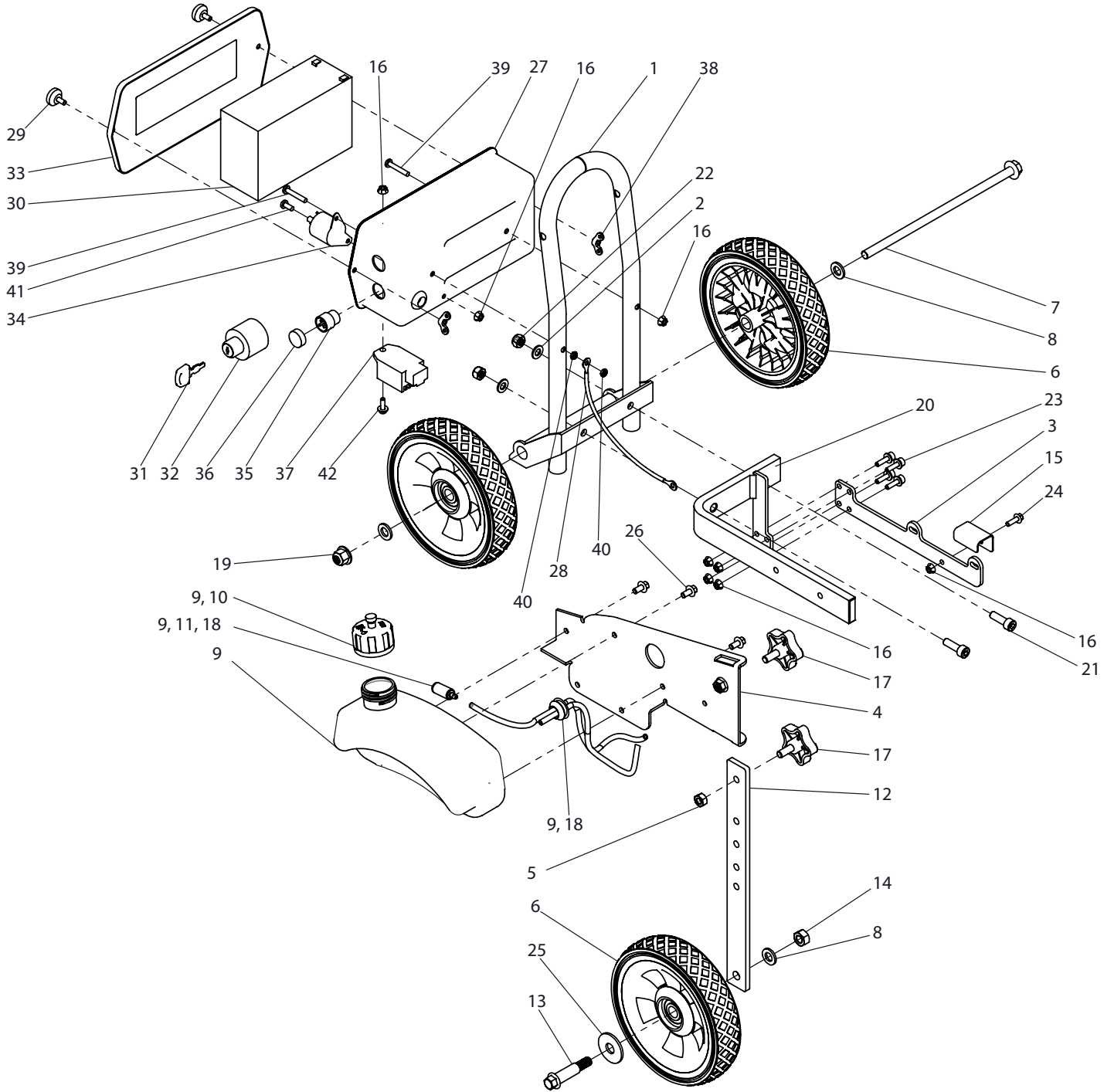
KEY	PART #	DESCRIPTION	QTY.
1	400035	TRANSMISSION EDGER	1
2	400007	GUARD BLADE EDGER	1
3	400014	WASHER CLAMP EDGER BLADE	2
4	400009	BLADE EDGER	1
5	400013	NUT M8 HHF LH GR 8.8 ZN	1
6	4000171	SHIELD DEBRIS RUBBER	1
FOR REFERENCE ONLY. NON-SERVICED PARTS			
7	--	NUT FLANGE LOCK M6	4
8	--	BOLT M5 X 0.8 X 12 HHF GR8.8 ZN	2
9	--	WASHER FLAT M5 53 X 10 X 1.0 ZN	2
10	--	NUT M5 X 0.8 TOPLCK HHF GR8.8 ZN	2

WE43 SERIES HANDLEBAR PARTS EXPLOSION AND LIST



KEY	PART #	DESCRIPTION	QTY.
1	4690	HANDLEBAR UPPER LEFT	1
2	4689	HANDLEBAR UPPER RIGHT	1
3	4639	HANDLE GRIP	2
4	4642	BOLT M8 X 1.25 X 35 SADDLE HEAD	4
5	4641	WASHER M8 CURVED ZINC	4
6	4825	KIT LONG THROW TRIGGER	1
7	1021CE	SWITCH WIRE ASSY ON/OFF (CE MODELS ONLY)	1
8	400008	WELDMENT, HANDLEBAR AND WHEEL MOUNT	1
9	4640	NUT M8 X 1.25 T-HANDLE	4
10	400041	THROTTLE CABLE	1
FOR REFERENCE ONLY. NON-SERVICED PARTS			
11	--	HANDLEBAR MIDDLE W/EYEHOLE WE43	1
12	--	EYEBOLT M6 X 12 X 25	1
13	--	WASHER M6 CURVED ZINC	1
14	--	NUT FLANGE LOCK M6	1

WE43 SERIES CHASSIS PARTS EXPLOSION

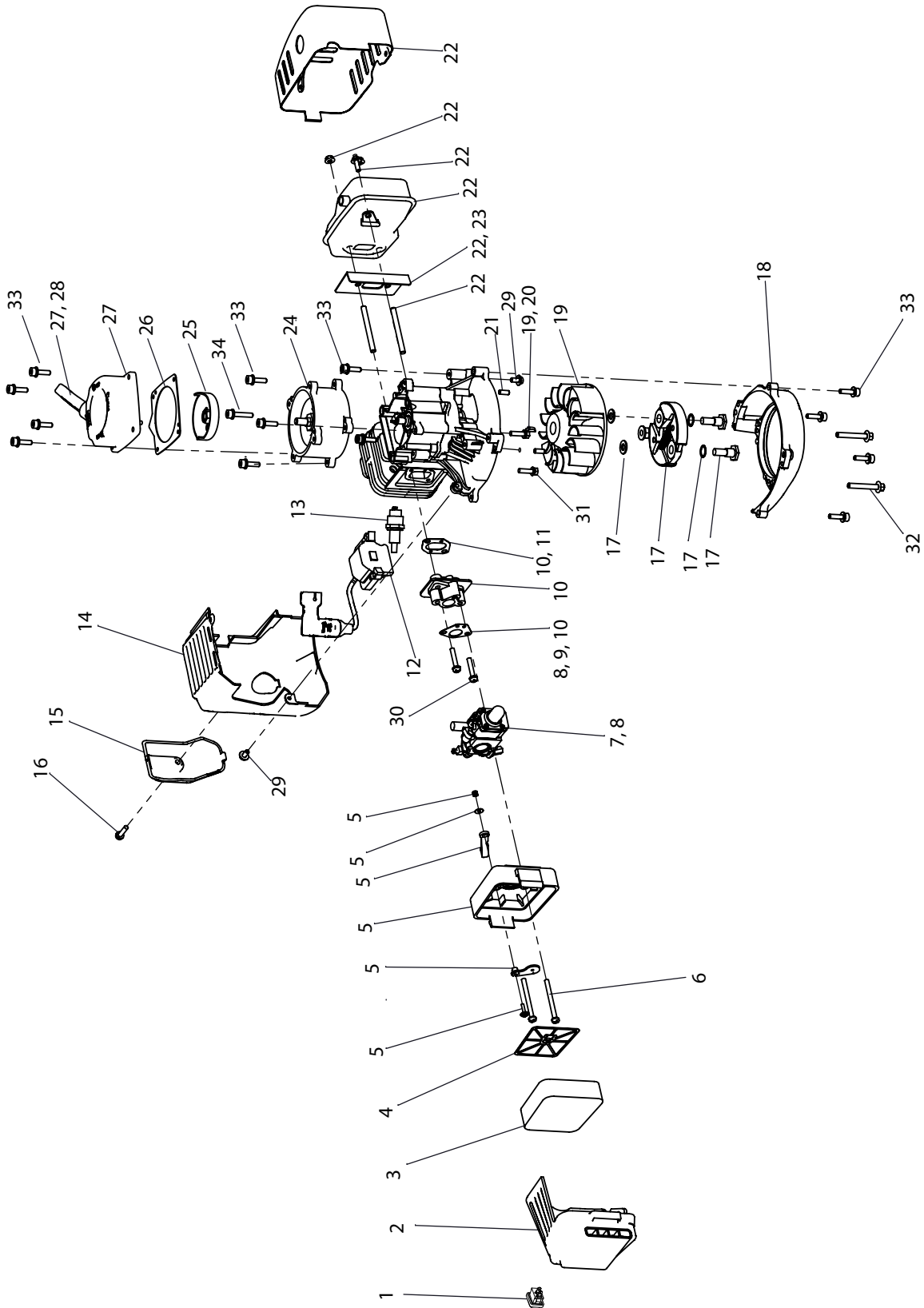


WE43/WE43E CHASSIS PARTS LIST

KEY	PART #	DESCRIPTION	QTY.
1	400008	WELDMENT HANDLE BAR AND WHEEL MOUNT	1
2	400024	WASHER FLAT M8 8.4 X 16 X 1.6 THK GR8.8 ZN	2
3	400006	MOTOR MOUNT LOWER	1
4	400003	BRACKET WHEEL MOUNT EDGER	1
5	W1265V0900	NUT M8 X 1.25 H NYLK GR8.8 ZN	1
6	4634	WHEEL	3
7	4687	BOLT M10 X 1.5 X 225 MM HEX HD	1
8	2431	WASHER FLAT M10 10.5 X 20 X 2 THK GR8.8 ZN	3
9	400037	KIT FUEL TANK EDGER	1
10	300401	GAS CAP VIPER ENGINE SCREW VENT (AVAILABLE SEPARATELY OR AS PART OF FUEL TANK KIT)	1
11	3004103	FUEL FILTER (AVAILABLE SEPARATELY, AS PART OF FUEL TANK KIT, OR AS PART OF THE FUEL LINE KIT)	1
12	400005	MOUNT BAR WHEEL AND HEIGHT ADJUSTER	1
13	400042	BOLT SHOULDER M10 X 55	1
14	W1265V0903	NUT M10 HNYLK GR8.8 ZN	1
15	400017	SHIELD DEBRIS WE43	1
16	--	NUT M5 X 0.8 TOPLCK HHF GR8.8 ZN	8
17	400027	KNOB M8 X 16 HEIGHT ADJUSTER	2
18	11274	KIT FUEL LINES	1
FOR REFERENCE ONLY. NON-SERVICED PARTS			
19	--	NUT M10 HHFCS TOP LCK ZINC	1
20	--	WELDMENT FRAME L SHAPED	1
21	--	BOLT M8 X 1.25 X 25 SHCS GR 8.8 ZN	2
22	--	NUT M8 NYLOCK	2
23	--	BOLT M5 X 20 SHCS GR8.8 ZN	4
24	--	BOLT M5 X 0.8 X 16 MM HHF GR 8.8 ZN	1
25	--	WASHER M12 X 37 X 1.5 WIDE FLAT	1
26	--	BOLT M6 X 1.0 X 12 (8MM) FFH GR8.8 ZN	3

WE43E ELECTRIC START MODEL ONLY			
KEY	PART #	DESCRIPTION	QTY.
27	4656	BATTERY BOX	1
28	300523	WIRE GROUND	1
29	300502	BOLT M5 X 0.8 X 15 THUMB SCREW	2
30	46122	BATTERY 12 V 7A	1
31	46139	KEY FOR KEY SWITCH	1
32	46140	KEY SWITCH	1
33	4657	COVER BATTER BOX	1
34	4660	SOLENOID	1
35	4661	CHARGER PIGTAIL	1
36	4663	CAP CHARGER PIG TAIL	1
37	4659	VOLTAGE RECTIFIER	1
38	300501	NUT M5 X 0.8 MM WING YEL ZINC	2
FOR REFERENCE ONLY. NON-SERVICED PARTS			
39	--	BOLT M5 X 0.8 . 30 MM PH GR 8.8 ZN	2
40	--	NUT M5 X 0.8 HJAM GR 8.8 ZN	2
41	--	BOLT M5 X 0.75 X 12 PPHMS ZN	1
42	--	BOLT M5 X 0.8 X 16 MM PPHMS GR8.8 ZN W/WASHER	1

ENGINE PARTS EXPLOSION



ENGINE PARTS LIST

KEY	PART #	DESCRIPTION	QTY.
1	1021	SWITCH ROCKER (WE43 ONLY)	1
2	3004158	COVER AIR FILTER W/SWITCH HOLE (WE43 ONLY)	1
	3004161	COVER AIR FILTER NO SWITCH HOLE (WE43E, WE43CE)	1
3	3004156	AIR FILTER ELEMENT BLOCK STYLE	1
4	3004157	PLATE REINFORCEMENT AIR FILTER	1
5	3004150	ASSEMBLY AIR FILTER BASE BLOCK STYLE	1
6	300456	BOLT M5 X 50MM W/ WASHER	2
7	300486	CARBURETOR COMPLETE	1
8	3004114	KIT CARBURETOR REPAIR	1
9	300479	GASKET CARBURETOR	1
10	11205	KIT INTAKE MANIFOLD	1
11	300476	GASKET INTAKE	1
12	300472	IGNITION COIL (WE43 ONLY)	1
	11173	ASSY LONG GROUND WIRE COIL CE (WE43CE)	1
	300194	IGNITION COIL (WE43E)	1
13	BM6A	SPARK PLUG (WE43, WE43E)	1
	35906	SPARK PLUG (WE43CE ONLY)	1
14	300482	SHROUD VIPER ENG	1
15	300483	COVER ENGINE SHROUD	1
16	300439	BOLT M5 X 20MM WASHER HD	1
17	11235	KIT CLUTCH VIPER	1
18	300487	COVER ENGINE MOUNTING HP ENG	1
19	11209	KIT FLYWHEEL	1
20	300338	KEY FLYWHEEL VIPER ENG	1
21	300467	PIN LOCATING VIPER ENG	2
22	11198	KIT MUFFLER SIDE EJECTION	1
23	300475	GASKET MUFFLER VIPER ENG	1
24	300496	STARTER ELECTRIC 2 CYCLE	1
25	300491	CUP RECOIL STARTER	1
26	300429	SHIM RECOIL	1
27	400036	ASSEMBLY RECOIL STARTER WE43	1
28	3004121	HANDLE RECOIL STANDARD	1

KEY	PART #	DESCRIPTION
NON-SERVICED PARTS---REFERENCE ONLY		
29	--	BOLT M5 X 0.8 X 12 PPHMS GR 8.8 ZN
30	--	BOLT M5 X 25MM WASHER HD
31	--	BOLT M5 X 20MM VIPER ENG W/WASHER
32	--	BOLT FLANGE M6X40
33	--	BOLT M5 X 20 SHCS GR 8.8 ZN
34	--	BOLT M5 X .8 X 28 MM SHCS GR 8.8 ZN