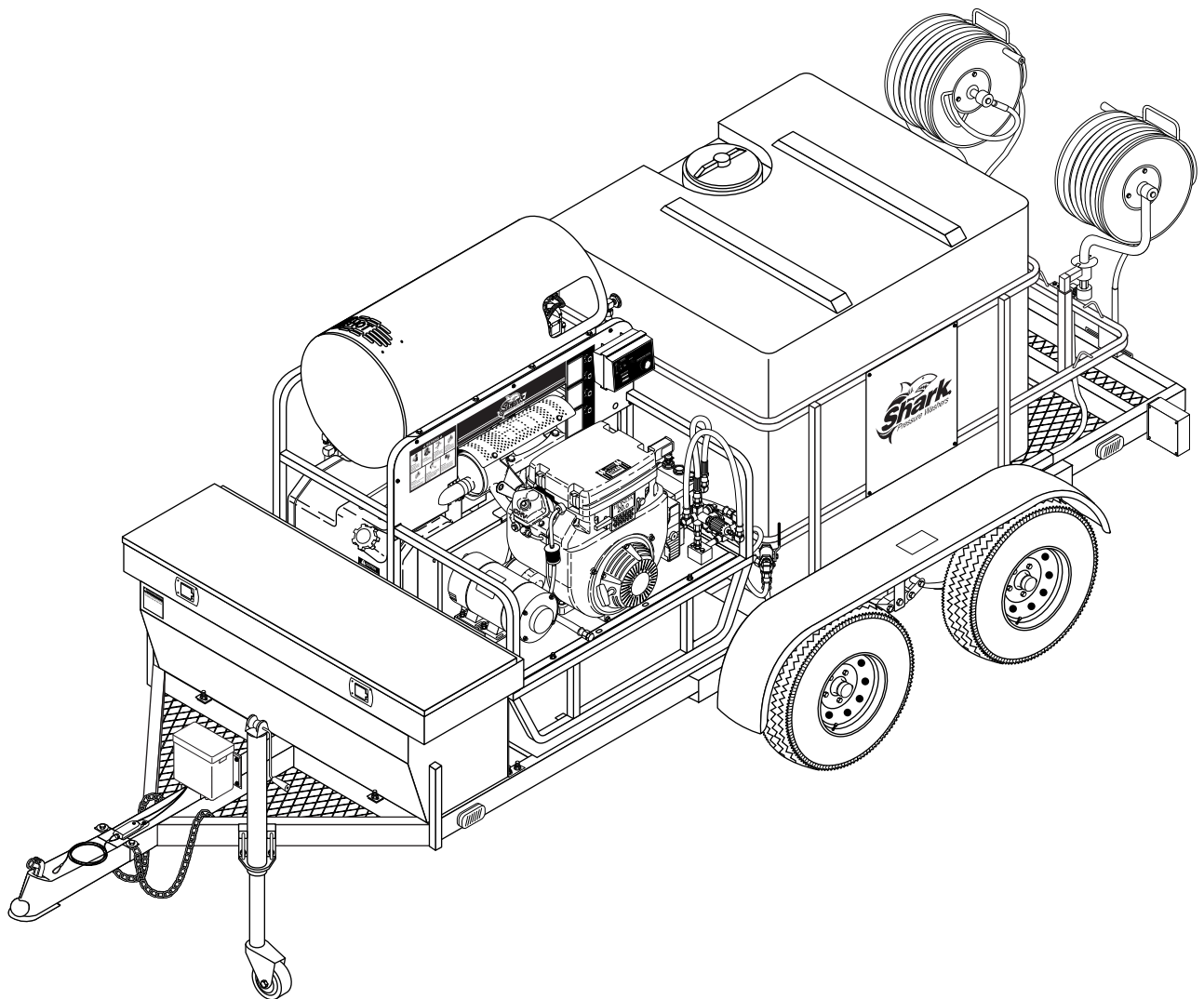




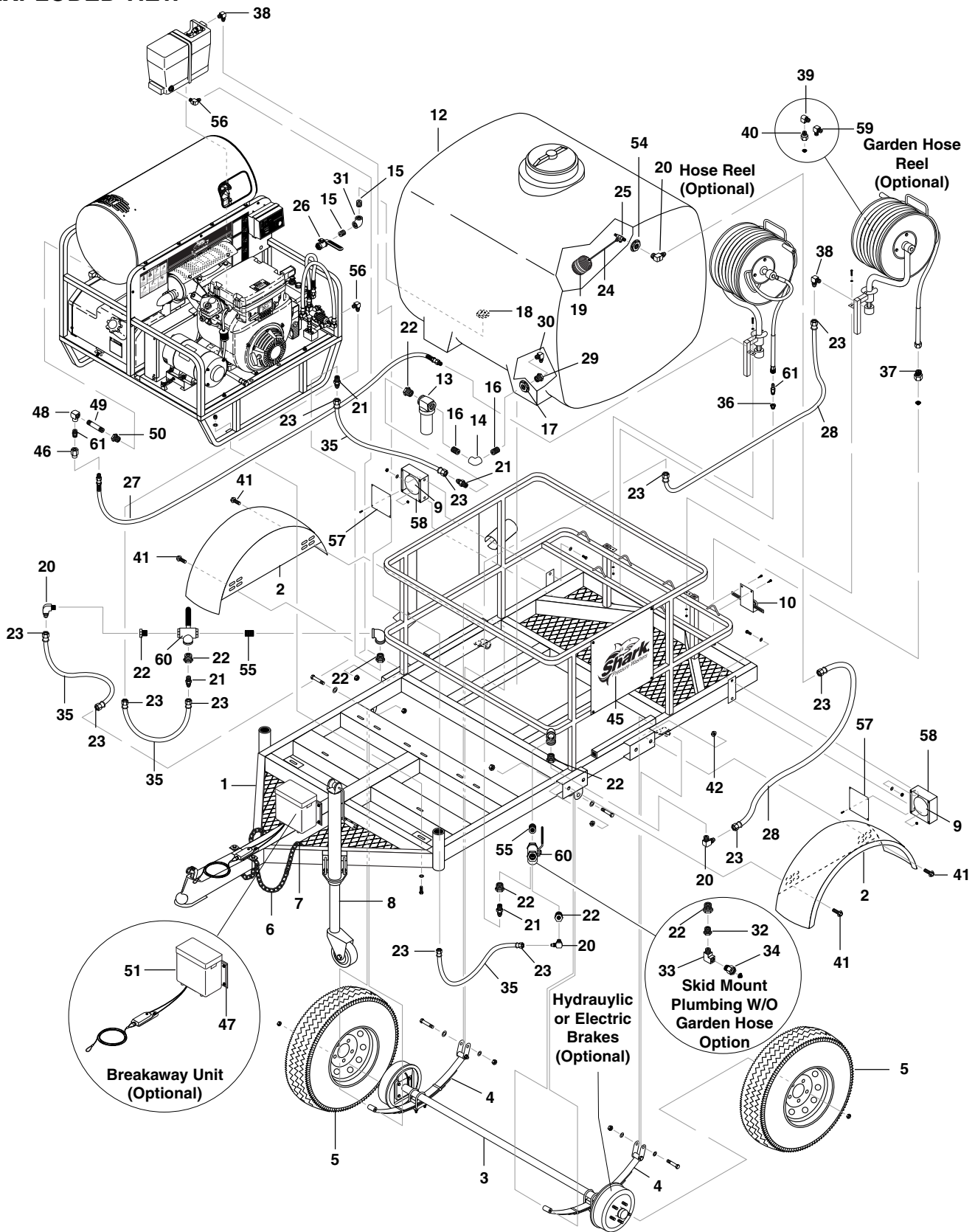
TRAILER OPERATOR'S MANUAL

■ TR-3500

■ TR-6000



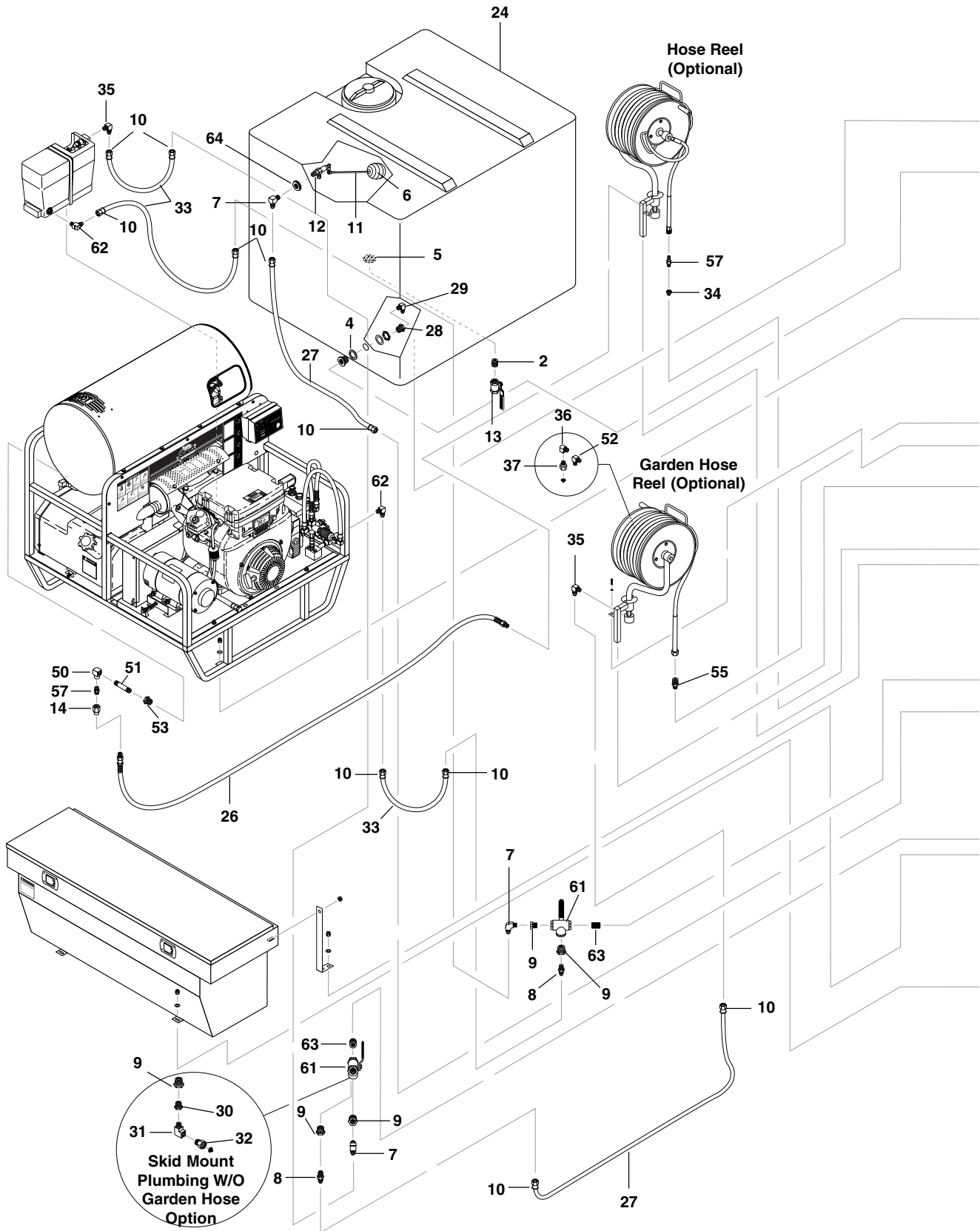
TR-3500 EXPLODED VIEW
EXPLODED VIEW



**TR-3500 EXPLODED VIEW
PARTS LIST**

ITEM	PART NO.	DESCRIPTION	QTY	ITEM	PART NO.	DESCRIPTION	QTY
1	95-07150020	Frame, Assy (3500)	1	30	2-1062	Elbow, 1/2" JIC x 1/2"	1
2	95-07150021	Fender, Single, Assy	2	31	2-01001324	Elbow, 1-1/2" FT x FT	1
3	25-0033	Axle, 3500 lb. 64" Track	1	32	2-1081	Bushing, 3/4" x 1/2" Pipe	1
	25-0034	Axle, 3500 lbs, 64 Track, Elec. Brakes	1	33	2-1024	Elbow, 1/2" Street Brass	1
	25-0035	Axle, 3500 lbs, 64 Track, Hyd. Brakes	1	34	2-10942	Swivel, 1/2" MP x 3/4" W/S	1
4	25-0010	Springs, Leaf, 3500 lb./Pr	1	35	4-02120050	Hose, 3/4" Suction, Push-On	15.33 ft.
5	25-0022	Wheel/Tire Assy, 15" Wheel	2	36	2-1077	Bushing, 1/2" x 3/8" Brass	1
6	25-0028	Chain, 5/16 Zinc Plated	6 ft.	37	2-1092	Fitting, 3/4", Garden, HS x 1/2"	1
	90-10180	▲ Bolt, 3/8" x 1-1/2", NC, HH, SS	2	38	2-10622	Elbow, 3/4" JIC x 3/8"	2
	90-4003	▲ Washer, 7/16" Flat, SAE	2	39	2-00575	Elbow, 3/8" Street, 45°	1
	90-4007	▲ Washer, 3/8" x 1-1/2", Fender	4	40	2-10943	Swivel, 3/8" MP x 3/4" GHF W/S	1
	90-40092	▲ Washer, 3/8", SS, Lock	2	41	90-1996	Screw, 3/8" x 3/4" HH NC, Whiz Loc	12
	90-50057	▲ Nut, 3/8" HEX, NC, SS	2	42	90-20040	Nut, 3/8" Flange, Whiz Loc, NC	12
7	25-0029	▲ Hook "S" 5/16 Zinc	2	43	2-90159	▲ Clamp, Hose	1
8	25-0006	Jack, Swivel/W/Caster 1000 lb.	1	44	90-20231	▲ Nut, Cage, 1/4" x 12 GA	8
9	25-0058	Lamp, Stop/Tail/Turn, Red	2	45	95-07150008	Signate Plate	2
10	25-0060	Lamp, License W/Holder	1	46	2-2002	Coupler, 3/8" Female, Brass	1
11	25-0056	▲ Connector, 7 Prong	1	47	95-07150011	Bracket, Breakaway	1
12	25-0086	Tank, 200 Gal, HDPE Const	1	48	2-0027	Elbow, 3/8" FNPT	1
13	25-0090	Strainer, D1" T Line	1	49	2-00192	Nipple, 3/8" x 3" Pipe	1
14	2-01001325	Elbow, 1" PVC 80	1	50	2-00681	Bushing, 1/2" x 3/8" Steel	1
15	2-01002	Nipple, 1.5" Close PVC 80	2	51	25-0050	Break Away Kit, W/Battery	1
16	2-01003	Nipple, 1" Close PVC 80	2	52	2-0103	▲ Grommet, Rubber, Nozzle Holder	6
17	2-010051	Bulkhead, 1" Poly Pro	1	53	10-4016	▲ Label, CLP Warning, Do Not Stand or Step	2
18	2-010057	Bulkhead, 1-1/2" Poly Pro	1	54	2-010058	Bulkhead, 3/4" Poly Pro	1
19	2-0102	Float, Ball, Black Plastic	1	55	2-00171	Nipple, 1" Black Pipe, Close	2
20	2-10620	Elbow, 3/4" x 3/4" 90°	4	56	2-10630	Elbow, 3/4" JIC x 1/2" 90°	2
21	2-10636	Nipple, 3/4 JIC x 3/4" Pipe	4	57	95-07150006	Cover, Light Bracket	2
22	2-10813	Bushing 1" x 3/4"	7	58	95-07150005	Bracket, Light Tail	2
23	2-11050	Swivel, 3/4" SAE Fem Push On10 (Garden Hose Reel Option)	12	59	2-0031	Elbow, 3/8" Street	1
24	2-1112	Stem, Float 10"	1	60	2-30048	Valve, 3 Way Brass 1"	2
25	2-30110	Valve, 3/4" Brass Float	1	61	2-2007	Nipple, 3/8" x 3/8" Male	2
26	2-303	Valve, 1-1/2" Ball, Polypropylene	1			▲ Not Shown	
27	4-02043510	Hose, 3/8 x 125", 2 Wire Swivel x Swivel	1				
28	4-02120000	Hose, 3/4", Push-On	12.5 ft.				
29	2-10812	Bushing, 1" x 1/2", Black Poly	1				

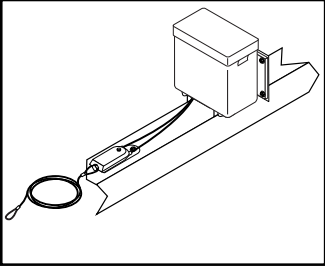
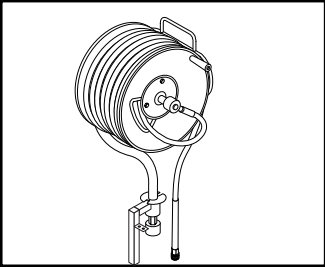
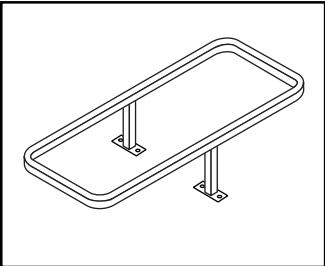
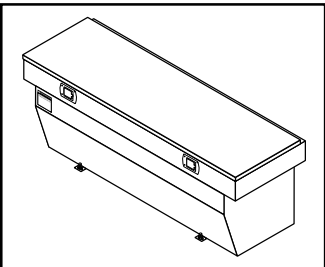
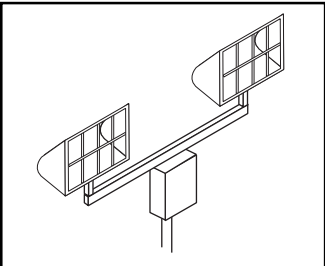
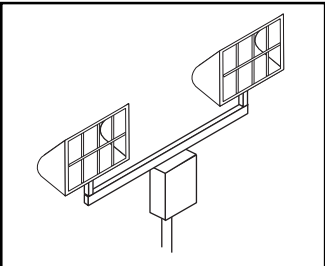
**TR-6000 EXPLODED VIEW
LEFT SIDE**



**TR-6000 EXPLODED VIEW
PARTS LIST**

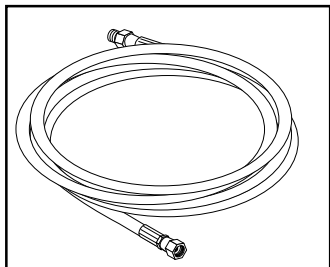
ITEM	PART NO.	DESCRIPTION	QTY	ITEM	PART NO.	DESCRIPTION	QTY
1	2-01001325	Elbow, 1" FIPT x FIPT, PVC 80	1	30	2-1081	Bushing, 3/4" x 1/2" Pipe	1
2	2-01002	Nipple, 1.5 x Close, PVC 80	1	31	2-1024	Elbow, 1/2" Street, Brass	1
3	2-01003	Nipple, 1", PVC 80, Close	2	32	2-10942	Swivel, 1/2"MP x 3/4" GHF W/S	1
4	2-010051	Bulkhead, 1", Polypro, #60427	1	33	4-02120050	Hose, 3/4" Suction, Push-On	15.33 ft.
5	2-010057	Bulkhead, 1-1/2" Polypro #60124	1	34	2-1077	Bushing, 1/2" x 3/8" Brass	1
6	2-0102	Ball, Float, Black Plastic	1	35	2-10622	Elbow, 3/4" JIC x 3/8" MPT	2
7	2-10620	Elbow, 3/4" SAE x 3/4", 90°	4	36	2-00575	Elbow, 3/8" Street 45°	1
8	2-10636	Nipple, 3/4" JIC x 3/4" Pipe	4	37	2-10943	Swivel, 3/8" MP x 3/4" GHF W/S	1
9	2-10813	Bushing, 1" x 3/4"	7	38	2-90159	▲ Clamp, Hose	1
10	2-11050	Swivel, 3/4" SAE Fem, Push-on	12	39	95-07150008	Plate, Signage, Trailers	1
11	2-1112	Stem, 10" Float	1	40	90-1996	Screw, 3/8" x 3/4" HH NC, Whiz Loc	12
12	2-30110	Valve, 3/4" Brass Float	1	41	90-20040	Nut, 3/8", Flange Whiz Loc, NC	12
13	2-303	Valve, 1.5" Ball, FPT x FPT, Poly	1	42	95-07150011	Bracket, Breakaway	1
14	2-2002	Coupler, 3/8" Female, Brass	1	43	90-20231	▲ Nut, Cage, 1/4" x 12 GA	8
15	25-0006	Jack, Swivel W/Caster, 1000 Lb.	1	44	25-0050	Breakaway Kit W/Battery	1
16	25-0010	Springs, Leaf, 3500 Lb./Pr	2	45	95-07150004	Assy, Tandem Fender, TR-6000	2
17	25-0022	Wheel/Tire Assy, 15" Wheel, ST205/75D15 Tire	4	46	95-07150000	Assy, Tandem Axle Frame, TR-6000	1
18	25-0028	Chain, 5/16 Zinc Plated	6 ft.	47	25-0051	Lamp, Side Marker, Red	2
	90-10180	▲ Bolt, 3/8" x 1-1/2", NC, HH, SS	2	48	25-0052	Lamp, Side Marker, Amber	2
	90-4003	▲ Washer, 7/16" Flat, SAE	2	49	25-0053	Lamp, Identification Bar	1
	90-4007	▲ Washer, 3/8" x 1-1/2", Fender	4	50	2-0027	Elbow, 3/8" FNPT	1
	90-40092	▲ Washer, 3/8", SS, Lock	2	51	2-00192	Nipple, 3/8" x 3.0 Pipe	1
	90-50057	▲ Nut, 3/8" HEX, NC, SS	2	52	2-0031	Elbow, 3/8" Street	1
19	25-0029	Hook, "S", 5/16" Zinc Plated	2	53	2-00681	Bushing, 1/2" x 3/8" Street	1
20	25-0036	Axle, 3500 Lb. , 72" Track, Idler	2	54	2-0103	▲ Grommet, Rubber, Nozzle Holder	7
	25-0034	Axle, 3500 lbs, 64 Track, Elec. Brakes	2	55	2-1092	Fitting, 3/4" Garden Hose x 1/2"	1
	25-0035	Axle, 3500 lbs, 64 Track, Hyd. Brakes	2	56	10-4016	Label, CLP Warning, Do Not Stand or Step	2
21	25-0058	Lamp, Stop/Tail/Turn, Red, Flush Mount	2	57	2-2007	Nipple, 3/8" x 3/8" NPT, ST, Male	2
22	25-057	▲ Plug, 7-Prong	1	58	25-0015	Hanger Kit, Tandem Axle	1
23	25-0060	Lamp, License W/Holder	1	59	95-07150005	Bracket Tail Light	2
24	25-0087	Tank, 330 Gal. HDPE Constr.	1	60	95-07150006	Cover, Light Bracket	2
25	25-0090	Strainer, 1" T-Line, Trailers	1	61	2-30048	Valve, 1" Brass	2
26	4-02043510	Hose, 3/8" x 125", 2 Wire, Swivel x Swivel	1	62	2-10630	Elbow, 3/4" JIC x 1/2", 90°	2
27	4-02120000	Hose, 3/4" Push-On	12.5 ft.	63	2-00171	Nipple, 1" Close, Black	2
28	2-10812	Bushing, 1" x 1/2" Black Poly	1	64	2-010058	Bulkhead, 3/4" Polypro	1
29	2-1062	Elbow, 1/2" JIC x 1/2" 90°	1			▲ Not Shown	

TRAILER OPTIONS & ACCESSORIES

	Part No.	Description	Fits These Models
	Brakes		
	25-1000	Kit, Electric Brakes (one axle)	TR-6000
	25-1001	Kit, Surge Brakes (one axle)	TR-6000
	25-1003	Kit, Electric Brakes	TR-3500
	25-1004	Kit, Surge Brakes	TR-3500
	25-0050	Kit, Breakaway, Electric Brakes	All Models
	Mounting Kits		
	25-1020	Kit, Mount & Plumbing	W/Float Tank
	25-1021	Kit, Mount & Plumbing	W/OFloat Tank
	Hose Reel Kits (Hose NOT Included)		
	25-1010	Kit, For 100' of 3/8" High Pressure Hose	All Models
	25-1011	Kit, For 200' of 3/8" High Pressure Hose	All Models
	25-1012	Kit, For 100' of 3/4" Garden Hose	All Models
	Chemical Rack		
	95-07150035	2-5 Gal. Bucket Chemical Rack	TR-3500, TR-6000
	Fuel Tank & Tool Box		
	25-1030	Kit, Fuel & Tool, 45 Gal. Tank	TR-6000
	25-1031	Kit, Fuel & Tool, 24 Gal Tank	TR-6000
	25-0080	Kit, Fuel & Tool Box Only, 45 Gal. Tank	TR-6000
	25-0081	Kit, Fuel & Tool Box, 24 Gal. Tank	TR-6000
	Work Lamp		
	25-0061	Work Lamp, 1000 Watt	All Models

TRAILER OPTIONS & ACCESSORIES
CONTINUED

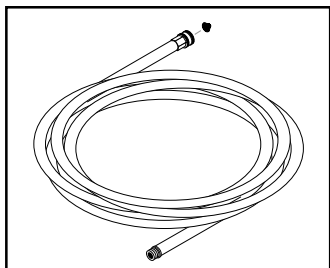
Part No.	Description	Fits These Models
----------	-------------	-------------------



High Pressure Hose

High Pressure Hoses

- | | | |
|-------------|-----------------------------------|--|
| 4-02033498 | 100' x 3/8", 3000 psi | |
| 4-020499 | 100' x 3/8", 5800 psi | |
| 4-020499W | Wearmaster, 100' x 3/8", 4500 psi | |
| 4-02043498G | No Mar, 100' x 3/8", 4500 psi | |



Garden Hose

Garden Hoses

- | | | |
|------------|-------------|--|
| 4-02140050 | 50' x 3/4" | |
| 4-02140075 | 75' x 3/4" | |
| 4-02140099 | 100' x 3/4" | |

Chrome Wheel/Fender

- | | | |
|---------|--|------------|
| 25-1040 | Upgrade to Chrome Wheels (per pair) | All Models |
| 25-1046 | Upgrade to Chrome Fender Assy. Tandem Axle (per pair) | TR-6000 |
| 25-1045 | Upgrade to Chrome Fender Assy., Single Axle (per pair) | TR-3500 |
| 25-0021 | Chrome Wheel with ST205/75R14/C Tire (each) | All Models |

Signage

- | | | |
|---------|---------------|------------|
| 25-1050 | Signage Plate | All Models |
|---------|---------------|------------|