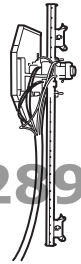


DIMAS

ConstructionParts.com 888-634-4289



IPL, DIMAS WS 345, 2004-44, 531 12 16-36

DIMAS WS 345

Reservdelar

Spare parts

Ersatzteile

Pieces de rechange

Piezas de repuesto

Ricambi

Peças
sobresselente

ConstructionParts.com

ConstructionParts.com

From machine number: 2183

888-634-4289

531 12 16-36

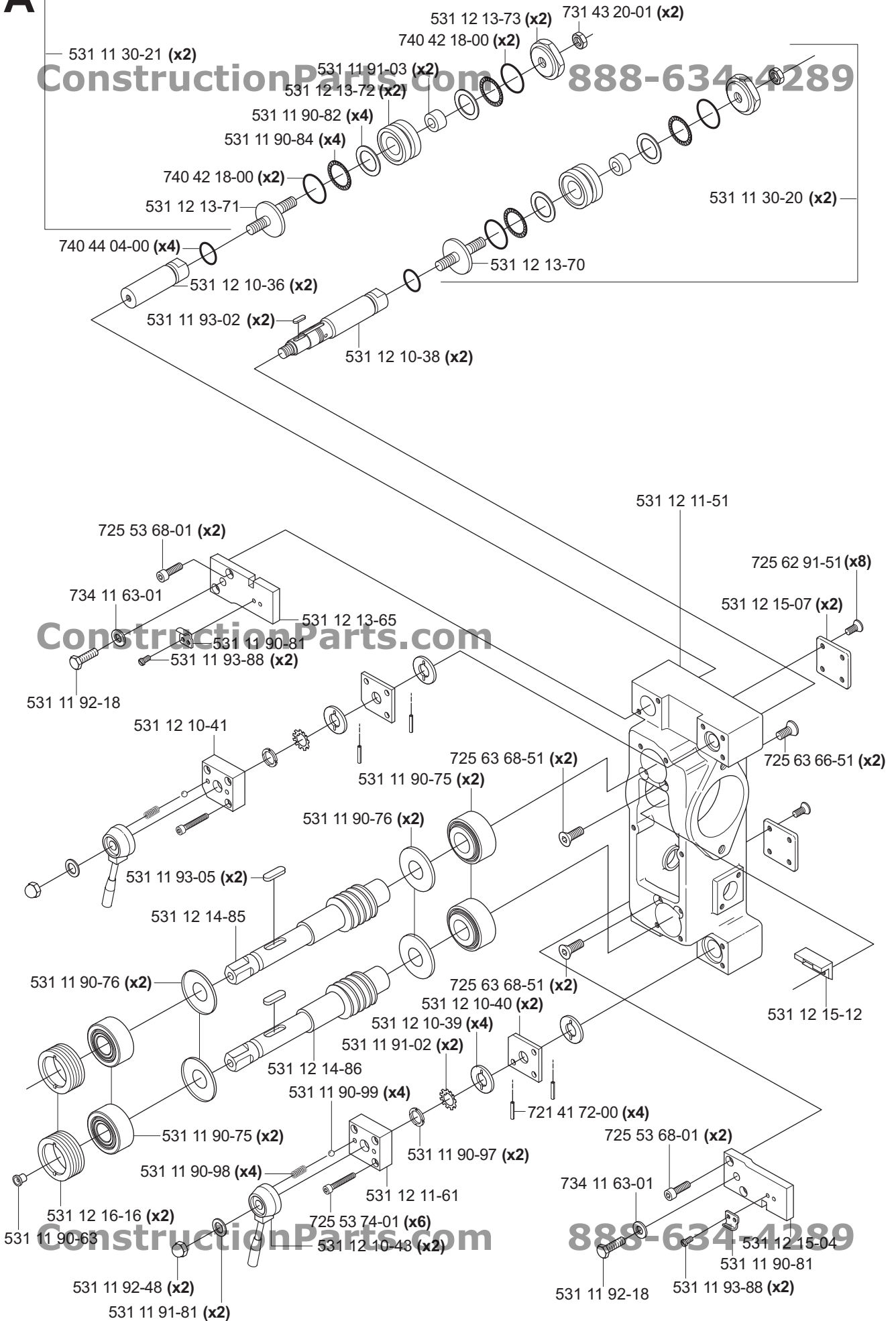
DIMAS

No.	Pos.	Description	No.	Pos.	Description
531 11 10-70	E	Piston	531 11 91-71	D	Shim 68x80x1
531 11 10-72	E	Valve cover	531 11 91-73	B	Radial shaft seal
531 11 30-10	H	Track section 2,3m	531 11 91-79	C	Radial shaft seal
531 11 30-11	H	Track section 1,3m	531 11 91-81	A-EHJKLM	Washer 40,5x22
531 11 30-13	H	Coupling link	531 11 91-83	FH	Washer 13x24x2
531 11 30-18	G	Feed handle	531 11 91-84	H	Spring pin 6x90
531 11 30-20	A	Guide Wheel concentric	531 11 91-85	CE	Sealing ring 1/2"
531 11 30-21	A	Guide Wheel eccentric	531 11 91-98	EJKLM	Screw M6S 10x25
531 11 30-25	E	Valve lever compl	531 11 91-99	H	Screw M6S 10x30
531 11 30-27	J	Flushcutting flange complete	531 11 92-00	JKLM	Screw M6S 10x35
531 11 30-57	L	Blade guard 730 compl	531 11 92-02	H	Screw M6S 12x25
531 11 30-62	L	Blade guard 930 compl	531 11 92-03	CF	Screw M6S 12x30
531 11 31-02	M	Blade guard 1238 compl	531 11 92-07	F	Screw M6S 12x45
531 11 31-15	K	Blade guard 1238 flushcut	531 11 92-09	JKLM	Screw M6S 5x16
531 11 31-25	K	Blade guard 930 flushcut	531 11 92-11	JKLM	Screw M6S 6x16
531 11 31-27	J	Blade guard 730 flush cut	531 11 92-13	KM	Screw M6S 6x22
531 11 31-38	F	Mounting bracket std complete	531 11 92-14	C	Screw M6S 6x25
531 11 31-40	F	Mounting bracket US complete	531 11 92-18	A	Screw M6S 8x25
531 11 31-41	J	Blade guard 730 flush cut middles.	531 11 92-32	H	Screw MC6S 6x14
531 11 31-42	J	Blade guard 730 flush cut backs.	531 11 92-40	JK	Screw MF6S 12x30
531 11 31-43	J	Blade guard 730 flush cut fronts.	531 11 92-48	A	Cap nut M10
531 11 31-44	K	Blade guard 930 flush cut middles.	531 11 92-59	KM	Guide screw
531 11 31-45	K	Blade guard 930 flush cut backs.	531 11 92-70	E	O-ring 24,2x3
531 11 31-46	K	Blade guard 930 flush cut fronts.	531 11 92-83	C	O-ring 44,2x3
531 11 31-47	K	Blade guard 1238 flush cut middles	531 11 92-85	C	O-ring 49,0x1,6
531 11 31-48	K	Blade guard 1238 flush cut backs	531 11 93-02	A	Key 4x4x16
531 11 31-49	K	Bl. guard 1238 flush cut fronts.	531 11 93-05	A	Key 5x5x14
531 11 31-50	E	Hydraulic motor	531 11 93-08	C	Key 6x6x16
531 11 31-51	F	Locking clamp screw	531 11 93-10	C	Key 8x7x25
531 11 31-94	J	Flushcutting flange 1" US/CAN cpl.	531 11 93-19	E	Radial shaft seal
531 11 80-41	E	Coupling	531 11 93-33	D	V-ring VS45
531 11 80-42	E	Coupling	531 11 93-35	JKLM	Wing nut VM8
531 11 80-45	B	Coupling	531 11 93-40	E	Plug VSTI 1/2"
531 11 80-46	B	Coupling	531 11 93-41	E	Plug VSTI 1/4"
531 11 81-13	C	Magnetic plug	531 11 93-48	JKLM	Washer 6,4x22
531 11 81-14	B	Feeding motor	531 11 93-64	F	Spring
531 11 81-15	E	Check valve	531 11 93-88	A	Screw MLC6S 4x8
531 11 81-16	C	Coupling	531 11 94-08	J	Screw UF6S 5/16-18x5/8
531 11 82-00	E	Adapter	531 11 94-11	J	Screw MC6S 12x70
531 11 82-01	B	Adapter	531 12 10-20	C	Pivoting arm shaft
531 11 82-36	C	Quickcoupling male	531 12 10-25	D	Vorm gear
531 11 90-45	E	Ball D20xM5	531 12 10-30	D	Retaining washer
531 11 90-63	A	Grease nipple	531 12 10-36	A	Adjusting spindle
531 11 90-65	G	Wrench 18mm	531 12 10-38	A	Eccentric spindle
531 11 90-70	G	Stop ring 20/32x14	531 12 10-39	A	Bearing washer
531 11 90-71	KM	Toogle fastener	531 12 10-40	A	Support plate
531 11 90-75	A	Bearing 30202	531 12 10-41	A	Interlocking cover,right
531 11 90-76	A	Sealing plate 30202 AV	531 12 10-43	A	Lever
531 11 90-77	BD	Hook	531 12 10-76	C	Sealing Washer
531 11 90-80	JKLM	Toogle fastener	531 12 10-84	H	Guide track section 870mm
531 11 90-81	A	Hook	531 12 10-85	H	Guide track section 510mm
531 11 90-82	A	Washer AS 1226	531 12 10-86	H	Guide track section 420mm
531 11 90-83	C	Washer AS 2035	531 12 11-20	JKLM	Bracket
531 11 90-84	A	Bearing AXK 1226	531 12 11-51	AD	Saw carriage
531 11 90-85	C	Bearing AXK 2035	531 12 11-58	D	Shaft
531 11 90-90	C	Rubber plug	531 12 11-59	D	Spacer sleeve
531 11 90-94	C	Bearing K25x30x26 ZW	531 12 11-60	D	Worm and pinion gear
531 11 90-96	D	Nut KM10	531 12 11-61	A	Interlocking cover,left
531 11 90-97	A	Nut KM3	531 12 12-33	H	End plate
531 11 90-98	AE	Spring	531 12 12-35	JKLM	Guide pin left
531 11 90-99	AE	Ball 6mm	531 12 12-36	JKLM	Guide pin right
531 11 91-01	D	Lock Washer MB10	531 12 12-37	H	Aluminium profile track 2,3m
531 11 91-02	A	Lock Washer MB3	531 12 12-38	H	Aluminium profile track 1,3m
531 11 91-03	A	Bearing NK 12/12	531 12 12-40	H	Gear rack 2,3m
531 11 91-08	G	Grease gun	531 12 12-41	H	Gear rack 1,3m
531 11 91-14	G	Crank handle	531 12 12-42	D	Guide ,right
531 11 91-65	JKLM	Blind rivet 4x12	531 12 12-43	D	Guide ,left
531 11 91-66	C	Shim 40x47x1	531 12 12-86	H	Coupling link
531 11 91-67	C	Shim 42x52x1	531 12 12-88	H	Clamping washer
531 11 91-70	D	Shim 68x80x0,27	531 12 12-93	D	Spacer ring

No.	Pos.	Description	No.	Pos.	Description
531 12 13-34	B	Cover plate feeding	531 12 16-34	F	Mounting bracket US
531 12 13-35	B	Protective plate	531 12 16-38	F	Distance piece
531 12 13-37	B	Driven wheel	531 12 20-51	C	Pivoting arm cover
531 12 13-38	B	Motor wheel	721 41 72-00	A	Spring pin 2x24
531 12 13-41	G	Driving slot	721 42 56-00	G	Spring pin 4x20
531 12 13-44	E	Support wacher	721 42 58-00	EG	Spring pin 4x25
531 12 13-59	G	Feeding rod	721 42 62-00	G	Spring pin 4x32
531 12 13-60	G	Cylindrical pin	723 12 91-01	KM	Screw MCS 4x12
531 12 13-61	G	Cylindrical pin	723 52 97-01	D	Screw MFS 4x25
531 12 13-62	G	Ball and socket joint	723 53 25-01	BEJKLM	Screw MFS 5x10
531 12 13-63	G	Feed handle	725 23 82-51	F	Screw M6S 6x60
531 12 13-65	A	Guide plate	725 24 69-51	C	Screw M6S 8x90
531 12 13-66	KM	Support plate	725 25 46-51	C	Screw M6S 12x70
531 12 13-70	A	Guide wheel bolt concentric	725 53 31-01	B	Screw MC6S 5x20
531 12 13-71	A	Guide wheel bolt eccentric	725 53 40-01	E	Screw MC6S 5x45
531 12 13-72	A	Guide wheel	725 53 68-01	AC	Screw MC6S 6x16
531 12 13-73	A	Nut	725 53 70-01	CH	Screw MC6S 6x20
531 12 13-80	E	Return block 2-speed	725 53 74-01	A	Screw MC6S 6x30
531 12 13-81	E	Valve block	725 53 76-01	DE	Screw MC6S 6x35
531 12 13-82	E	Return tube	725 53 79-01	B	Screw MC6S 6x45
531 12 13-86	C	Blade shaft	725 54 51-01	F	Screw MC6S 8x20
531 12 13-92	C	Blade flange inner	725 54 53-01	B	Screw MC6S 8x25
531 12 13-93	C	Blade flange outer	725 54 59-01	B	Screw MC6S 8x40
531 12 13-96	C	Tubular shaft	725 62 91-51	A	Screw MF6S 4x12
531 12 14-03	E	Valve lever	725 63 66-51	A	Screw MF6S 6x12
531 12 14-06	C	Cap	725 63 68-51	ACD	Screw MF6S 6x16
531 12 14-07	C	Guide sleeve	725 64 49-51	JK	Screw MF6S 8x16
531 12 14-10	JK	Flushcutting flange	728 73 60-05	BC	Stop screw S6SS 6x6
531 12 14-11	C	Sealing cover	729 64 12-01	D	Screw ST 4,8x16
531 12 14-19	JKLM	Hook plate	731 23 20-01	JKLM	Nut M6M M10
531 12 14-20	JKLM	Nut rod	731 43 20-01	A	Nut ML6M M10 low
531 12 14-48	C	Pivoting arm	732 25 16-01	CF	Nut M6 Nylock
531 12 14-49	C	Running shaft	734 11 35-71	KM	Washer 4,3x8
531 12 14-50	C	Axial washer	734 11 46-01	B	Washer 5,3x10x1
531 12 14-51	C	Running wheel	734 11 52-01	CFHJKLM	Washer 6,4x12
531 12 14-52	C	Blade wheel	734 11 63-01	A	Washer 8,4x16
531 12 14-53	C	Primary shaft	735 31 28-10	B	Seeger circlip SGH 16
531 12 14-54	C	Spacer ring	735 31 30-10	E	Seeger circlip SGH 30
531 12 14-68	JKLM	Spacer ring	738 21 06-00	C	Bearing 6006
531 12 14-71	C	Water block	738 21 10-04	D	Bearing 6010-2RS1
531 12 14-85	A	Worm shaft,pivoting arm	738 22 02-24	D	Bearing 6202-2RS1 C2
531 12 14-86	A	Worm shaft,feeding	738 22 04-15	C	Bearing 6204
531 12 14-97	KLM	T-strut	738 23 04-30	C	Bearing 6304
531 12 14-99	JL	T-strut	740 38 15-01	C	Sealing ring M8
531 12 15-04	A	Guide plate	740 38 18-01	B	Sealing ring 1/8"
531 12 15-05	D	Feeding cover	740 38 27-01	B	Sealing ring 1/4"
531 12 15-06	D	Feeding cover	740 42 18-00	AE	O-ring 22,1x1,6
531 12 15-07	A	Bearing cover	740 42 22-00	C	O-ring 32,1x1,6
531 12 15-12	A	Stop head	740 43 06-00	C	O-ring 8,3x2,4
531 12 15-13	D	Key	740 43 07-00	EH	O-ring 9,3x2,4
531 12 15-26	C	Blade shaft 1" US/CAN	740 43 12-00	CE	O-ring 14,3x2,4
531 12 15-27	C	Blade flange inner 1" US/CAN	740 43 13-00	E	O-ring 15,3x2,4
531 12 15-28	J	Flushcutting flange 1" US/CAN	740 44 04-00	AE	O-ring 19,2x3
531 12 15-30	C	Water hose 6x1x52	740 44 09-00	C	O-ring 32,2x3
531 12 15-33	L	Blade guard 730 middlesection	740 51 45-24	C	Radial shaft seal BASL 20x35x7
531 12 15-39	L	Blade guard 730 frontsection			
531 12 15-44	L	Blade guard 730 backsection			
531 12 15-49	L	Blade guard 930 middlesection			
531 12 15-55	L	Blade guard 930 frontsection			
531 12 15-60	L	Blade guard 930 backsection			
531 12 15-65	M	Blade guard 1238 middlesection			
531 12 15-70	M	Blade guard 1238 frontsection			
531 12 15-74	M	Blade guard 1238 backsection			
531 12 16-03	F	Mounting bracket			
531 12 16-05	F	Locking clamp			
531 12 16-07	F	Nut stud			
531 12 16-15	C	Blade flange outer 1" US/CAN			
531 12 16-16	A	Clamping sleeve			
531 12 16-18	F	Supporting bar			
531 12 16-31	G	Handle			

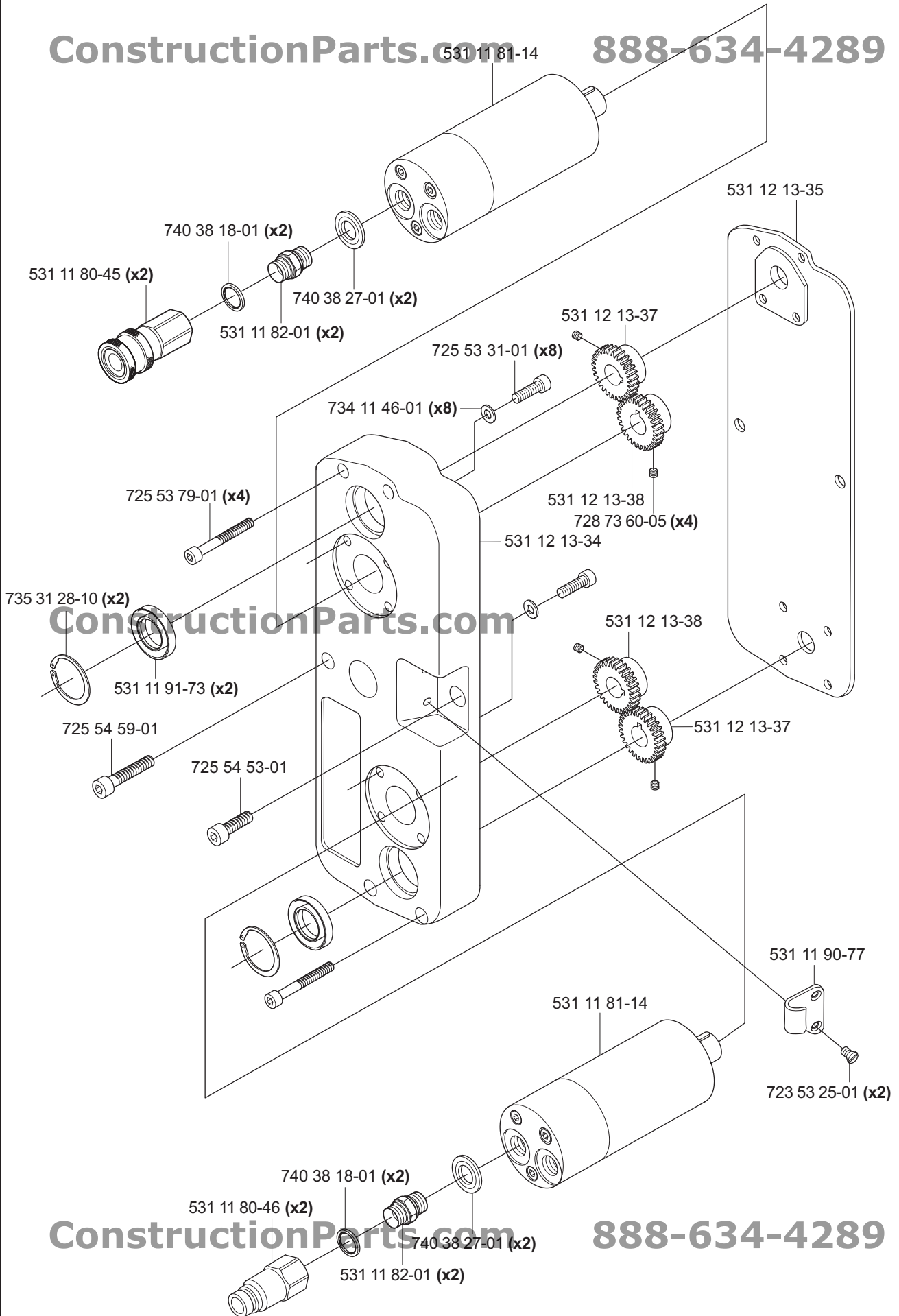
A

WS-345 Saw carriage center part



B WS-345 Saw carriage top part

ConstructionParts.com 888-634-4289



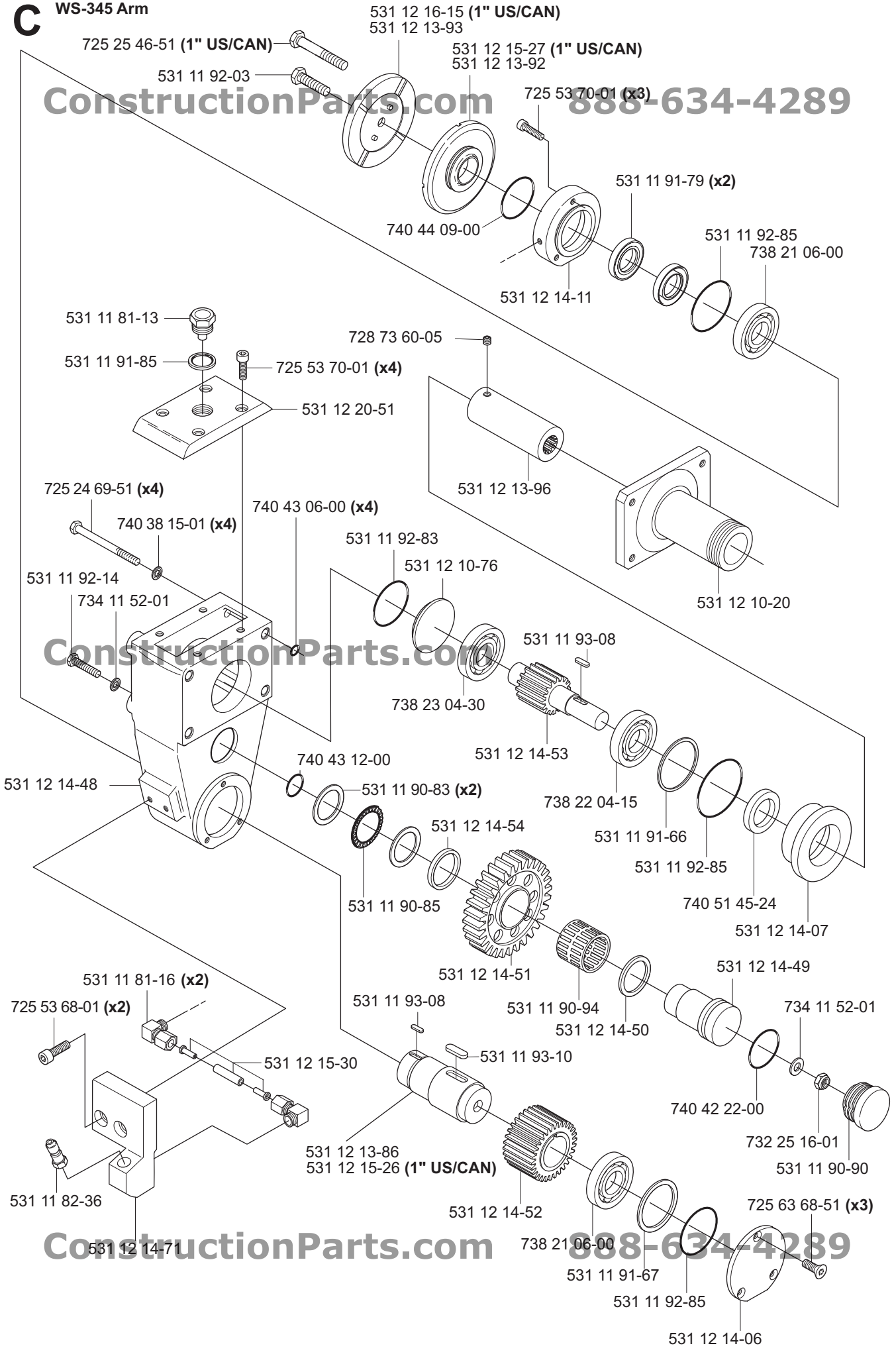
ConstructionParts.com 888-634-4289

C

WS-345 Arm

ConstructionParts.com

888-634-4289

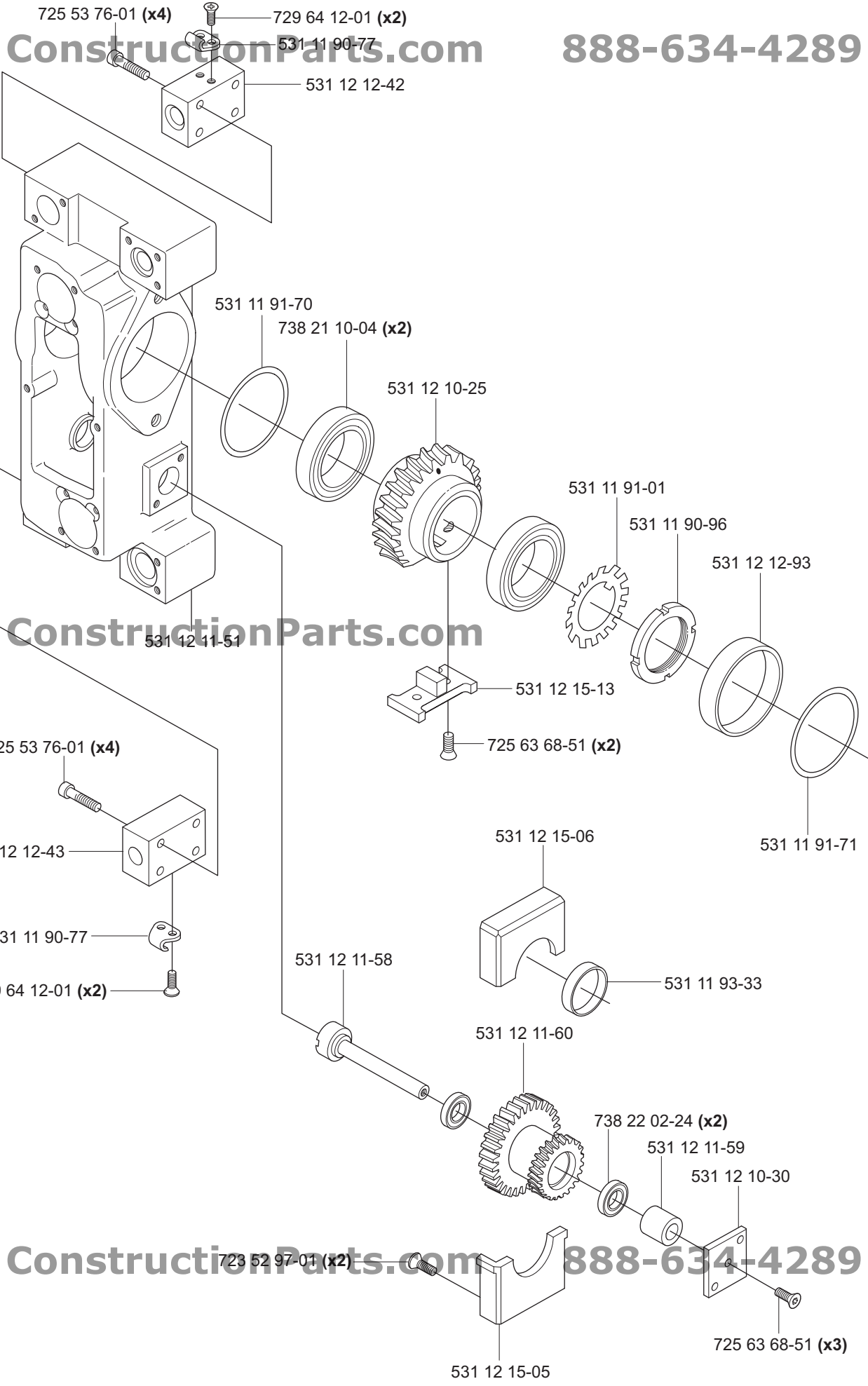


ConstructionParts.com

888-634-4289

D

WS-345 Saw carriage lower part

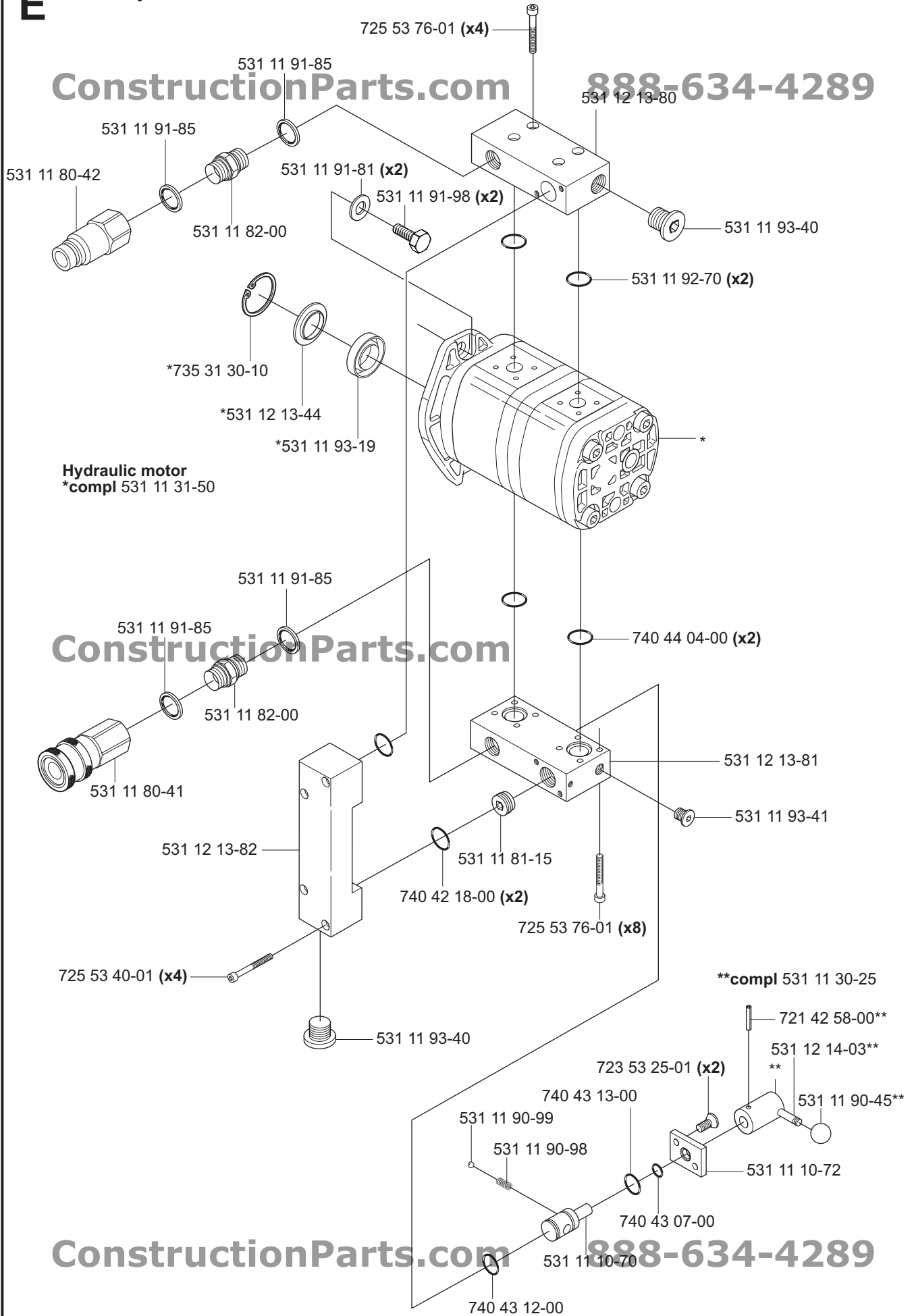


E

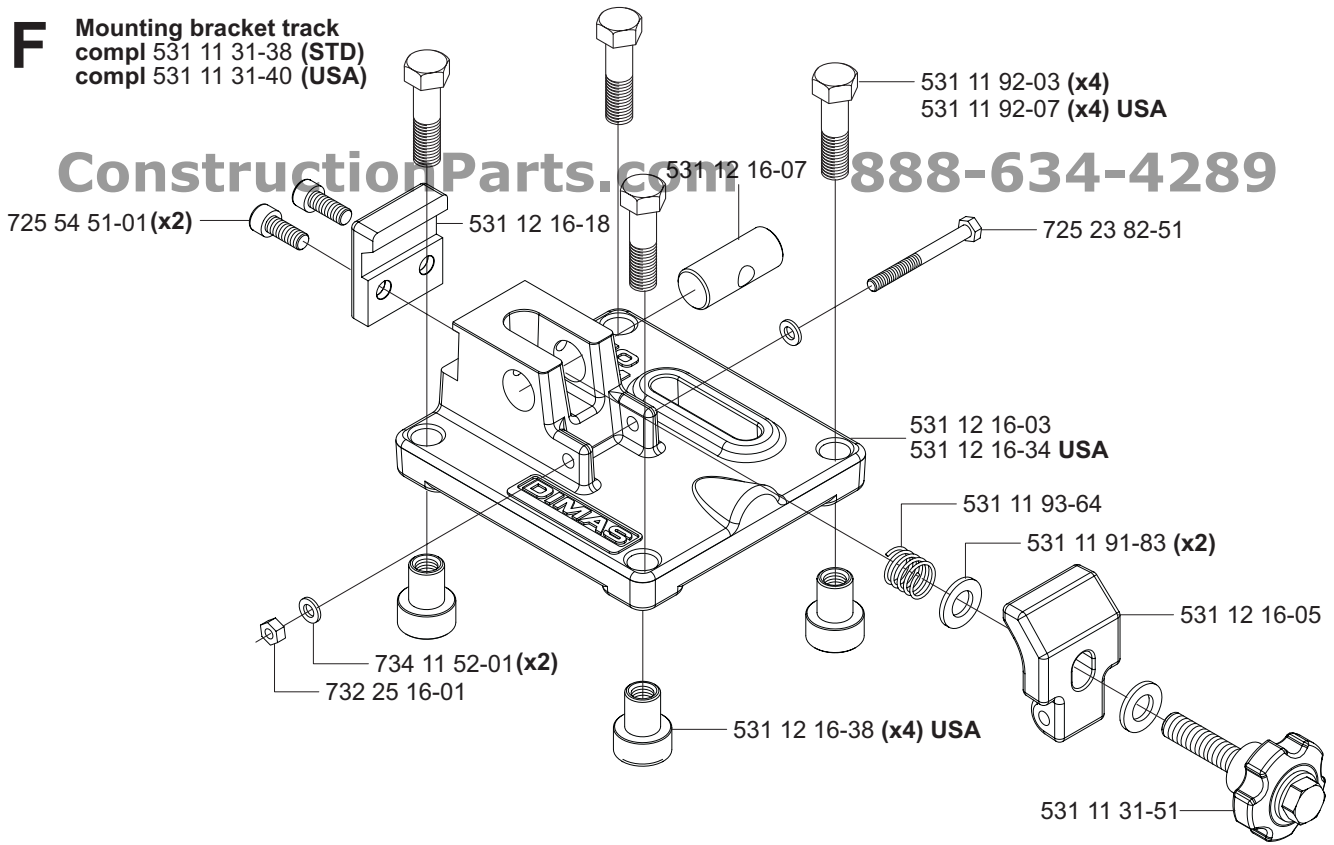
WS-345 Hydraulic motor

ConstructionParts.com

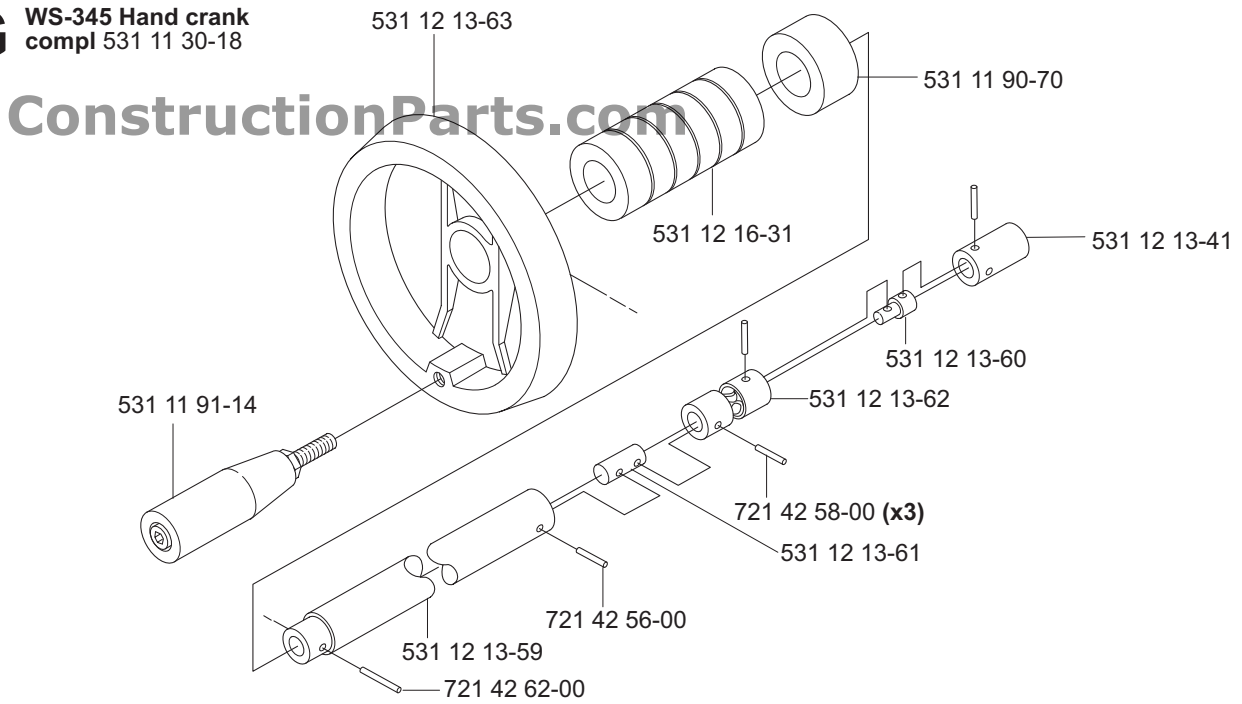
888-634-4289



F Mounting bracket track
 compl 531 11 31-38 (STD)
 compl 531 11 31-40 (USA)

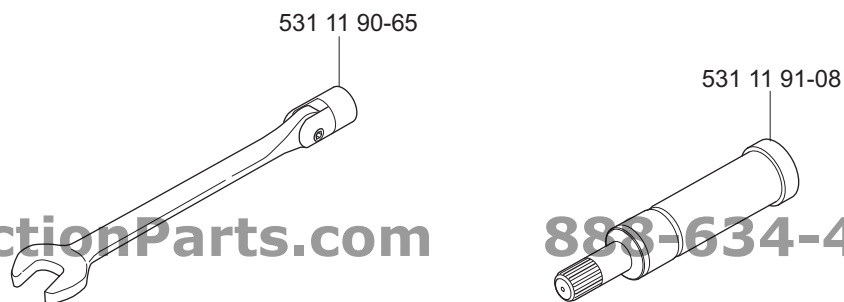


G WS-345 Hand crank
 compl 531 11 30-18



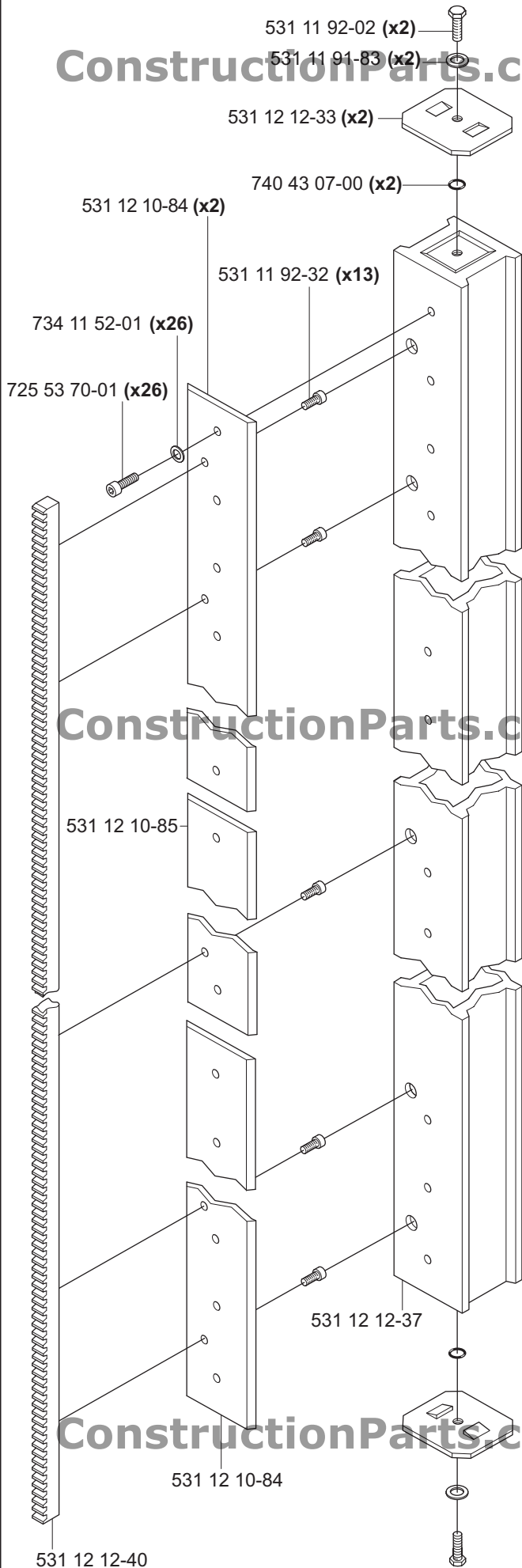
WS-345 Tools

Tillbehör
 Accessories
 Zubehöre
 Accessoires
 Accesorios

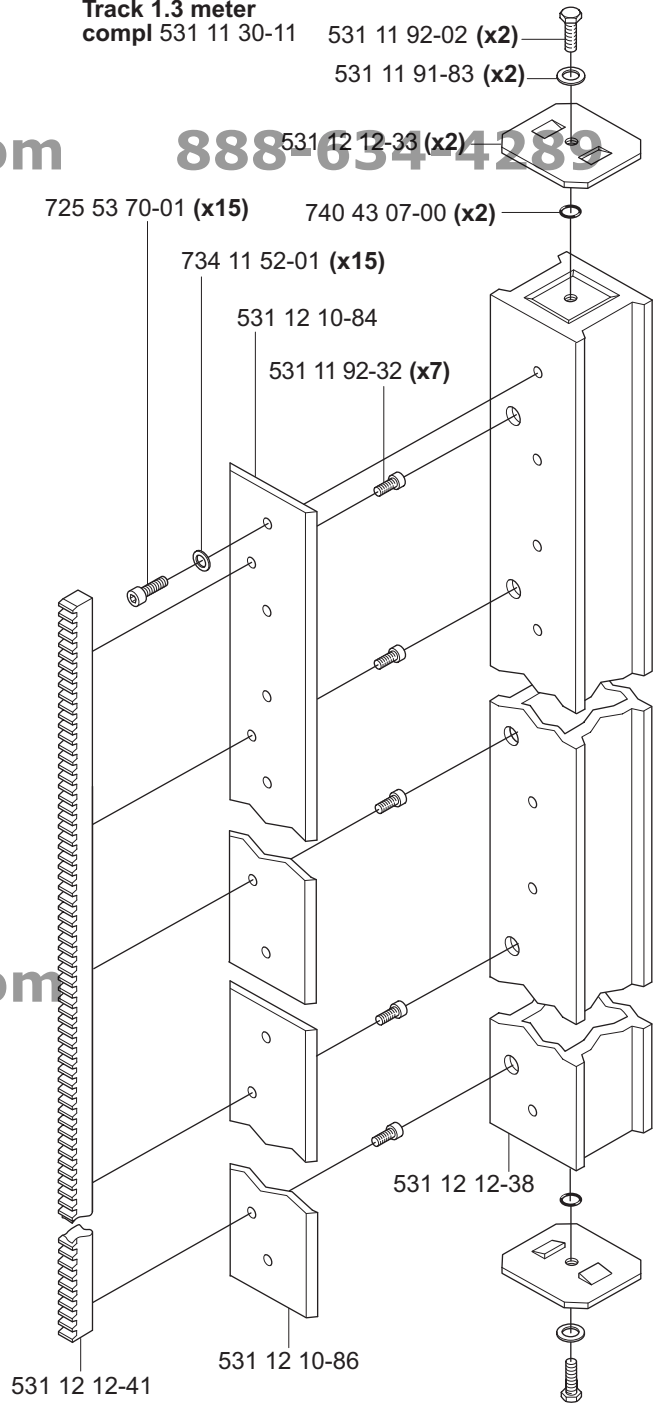


ConstructionParts.com 888-634-4289

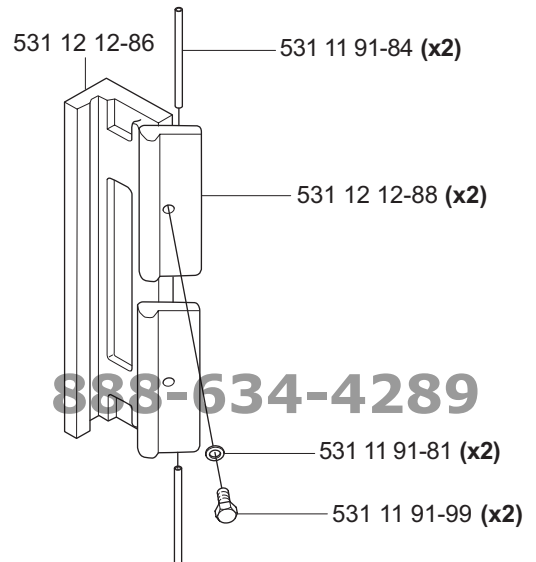
H Track 2.3 meter
compl 531 11 30-10



Track 1.3 meter
compl 531 11 30-11



Coupling link track
compl 531 11 30-13



ConstructionParts.com

888-634-4289

ConstructionParts.com

ConstructionParts.com

888-634-4289

J WS-345 Flush blade guard 730
compl 531 11 31-27

Flush cut flange compl.
**531 11 31-94 (1" US/CAN)
*531 11 30-27

531 12 14-20 (x2)

888-634-4289

**531 11 94-11 (US/CAN)

**531 12 15-28 (US/CAN)
*531 12 14-10

*531 11 92-40

531 11 31-43

**531 11 94-08 (x6 US/CAN)
*725 64 49-51 (x6)

531 11 92-09 (x8)

531 12 14-19 (x2)

723 53 25-01 (x4)

531 11 90-80 (x2)

531 11 91-98 (x2)
531 11 91-81 (x2)

531 11 31-41

531 12 12-36

ConstructionParts.com

531 11 93-35 (x2)

734 11 52-01 (x4)

531 11 92-11 (x4)

731 23 20-01

531 11 92-00

531 12 14-68 (x2)

531 11 93-48 (x2)

531 11 92-11 (x2)

531 12 12-35

531 11 90-80

531 11 91-65

531 12 14-99

531 12 14-20 (x2)

531 12 11-20 (x2)

734 11 52-01 (x4)

ConstructionParts.com

531 11 92-11 (x4)

888-634-4289

531 11 31-42

531 11 92-09 (x8)

531 12 14-19 (x2)

K WS-345 Flush blade guard 930/1238
 compl 531 11 31-25 (930)
 compl 531 11 31-15 (1238)

ConstructionParts.com 888-634-4289

Flush cut flange compl.
 **531 11 31-94 (1"US/CAN)
 *531 11 30-27

**531 11 94-11 (US/CAN)

**531 12 15-28 (US/CAN)
 *531 12 14-10

*531 11 92-40

*725 64 49-51 (x6)
 **531 11 94-08 (x6 US/CAN)

531 11 31-46 (930)
 531 11 31-49 (1238)

531 12 14-19 (x2)

531 11 92-09 (x8)

723 12 91-01 (x2)

723 53 25-01 (x4)

531 11 90-80 (x2)

531 11 91-98 (x2)

531 11 91-81 (x2)

531 11 31-44 (930)
 531 11 31-47 (1238)

531 12 12-36

ConstructionParts.com

531 11 93-35 (x2)

734 11 52-01 (x4)

531 11 92-11 (x4)

731 23 20-01

531 11 92-00

531 12 14-68 (x2)

531 11 93-48 (x2)

531 11 92-11 (x2)

531 12 12-35

531 11 90-80

531 11 91-65

531 11 90-71

723 12 91-01 (x2)

531 11 92-59

531 11 92-13

531 12 14-97

531 12 14-20 (x2)

531 12 13-66

531 12 11-20 (x2)

734 11 52-01 (x4)

723 12 91-01 (x2)

ConstructionParts.com

531 11 92-11 (x4)

888-634-4289

734 11 35-71 (x2)

531 11 31-45 (930)

531 11 31-48 (1238)

531 12 14-19 (x2)

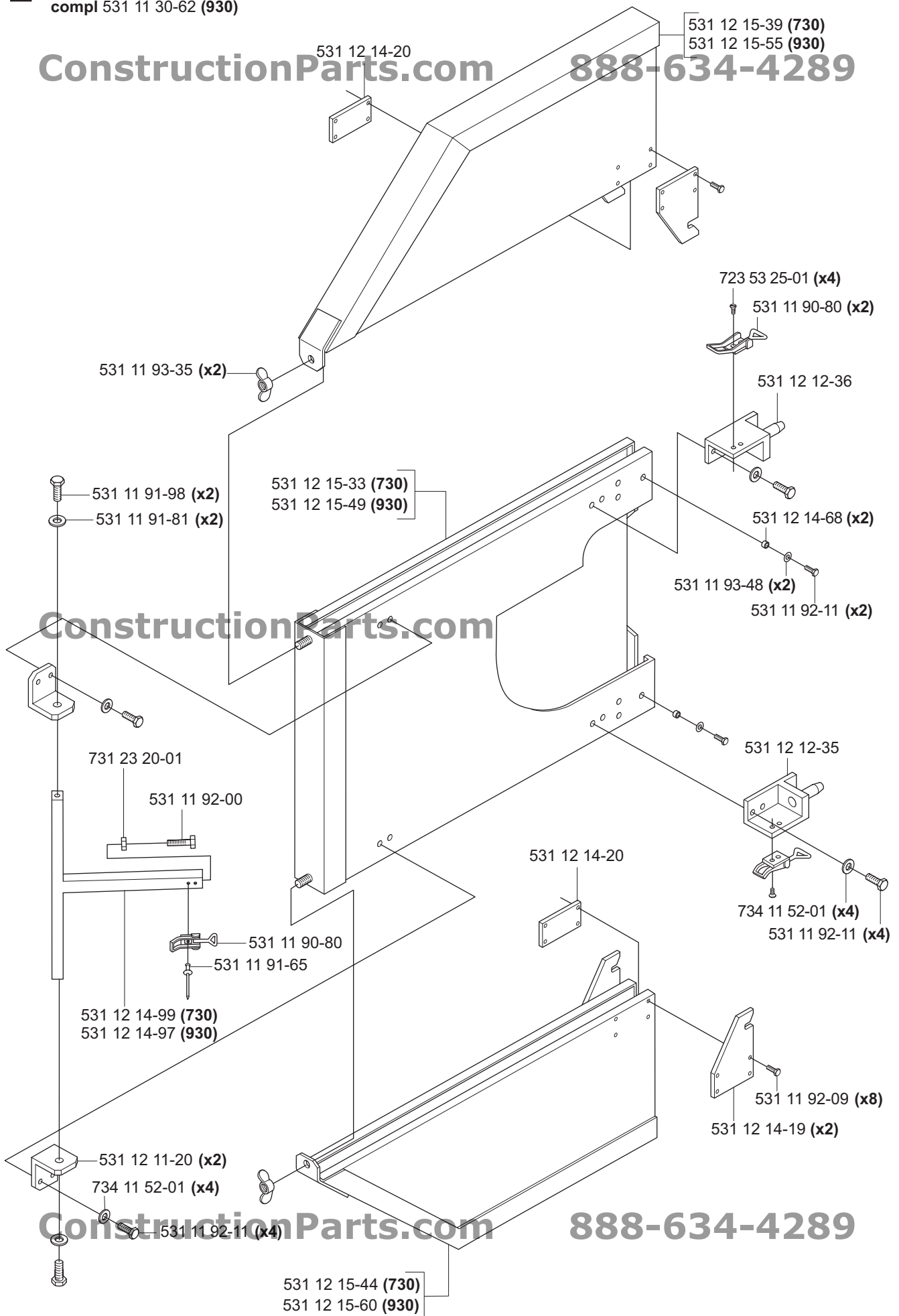
531 11 92-09 (x8)



WS-345 Blade guard 730/930
compl 531 11 30-57 (730)
compl 531 11 30-62 (930)

ConstructionParts.com

888-634-4289



ConstructionParts.com

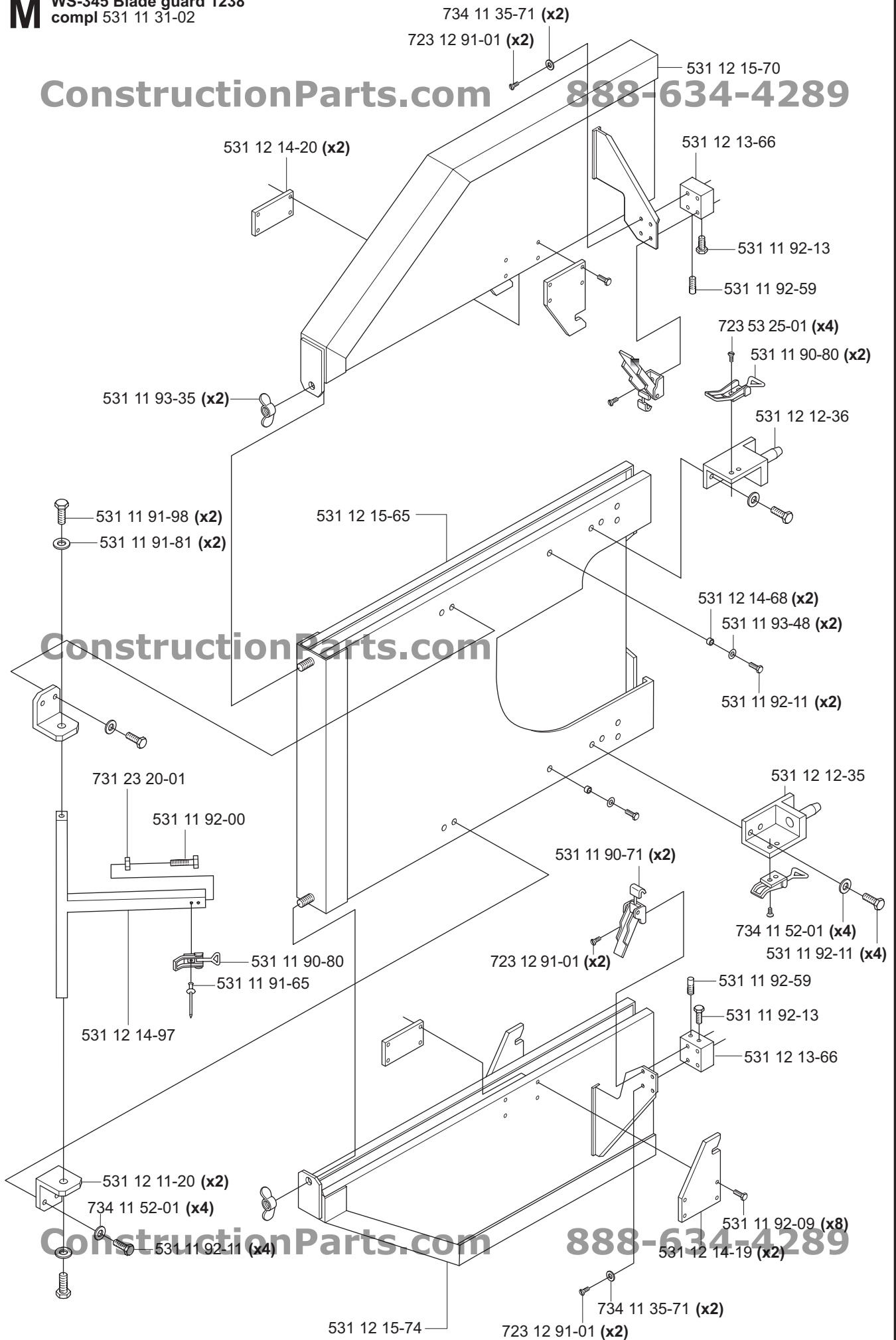
ConstructionParts.com

888-634-4289

M WS-345 Blade guard 1238
compl 531 11 31-02

ConstructionParts.com

888-634-4289



ConstructionParts.com

ConstructionParts.com

888-634-4289