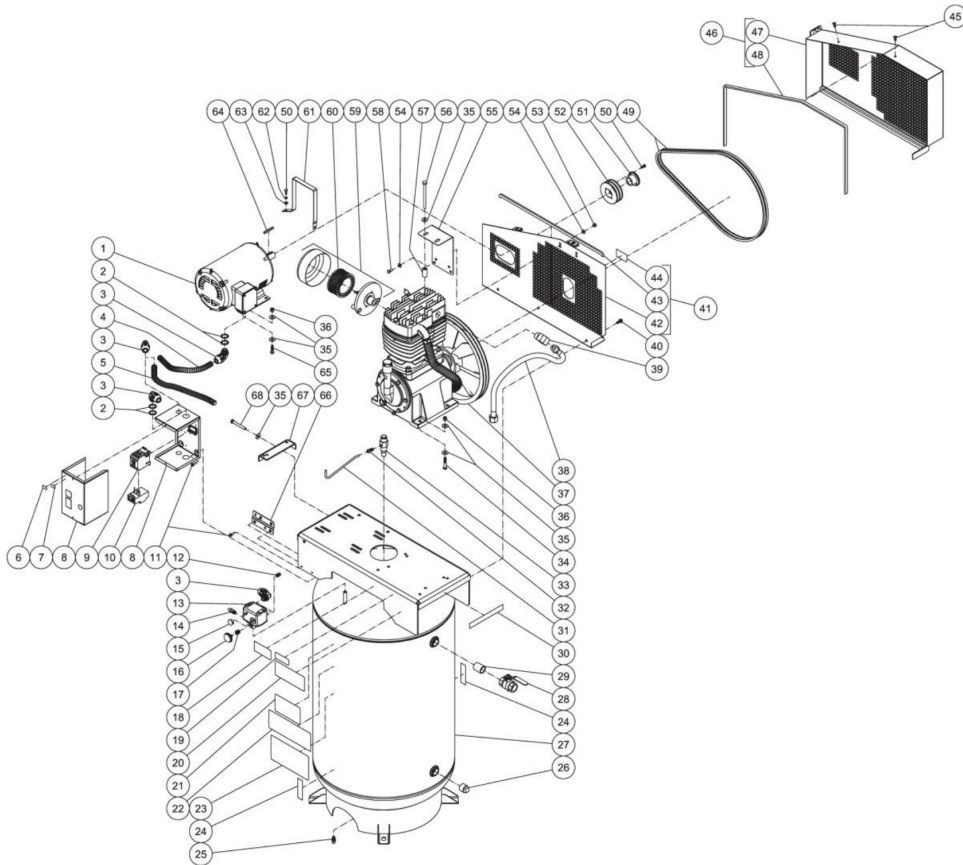




AM2-S375-80M / AM2-S375-80M (sn:0-99999999)

TANK ASSEMBLY



Id	Item #	Description	Quantity
1	2-0167	MOTOR- 7.5 HP	1
2	32-0814	WASHER	4
3	32-0254	CONDUIT ELBOW	4
4	32-0253	CONDUIT FLEX *(THREE FEET REQUIRED)	1
5	32-0253	CONDUIT FLEX *(TWO FEET REQUIRED)	1
6	N/A Sep.	DECAL- 3 PHASE (SEE 34-9016)	1
7	N/A Sep.	DECAL- 230 VOLT (SEE 34-9016)	1
8	32-0890	ELECTRICAL BOX	1
9	32-0235	CONTACTOR	1
10	32-0483	OVERLOAD RELAY	1
11	27-9527	SCREW	5

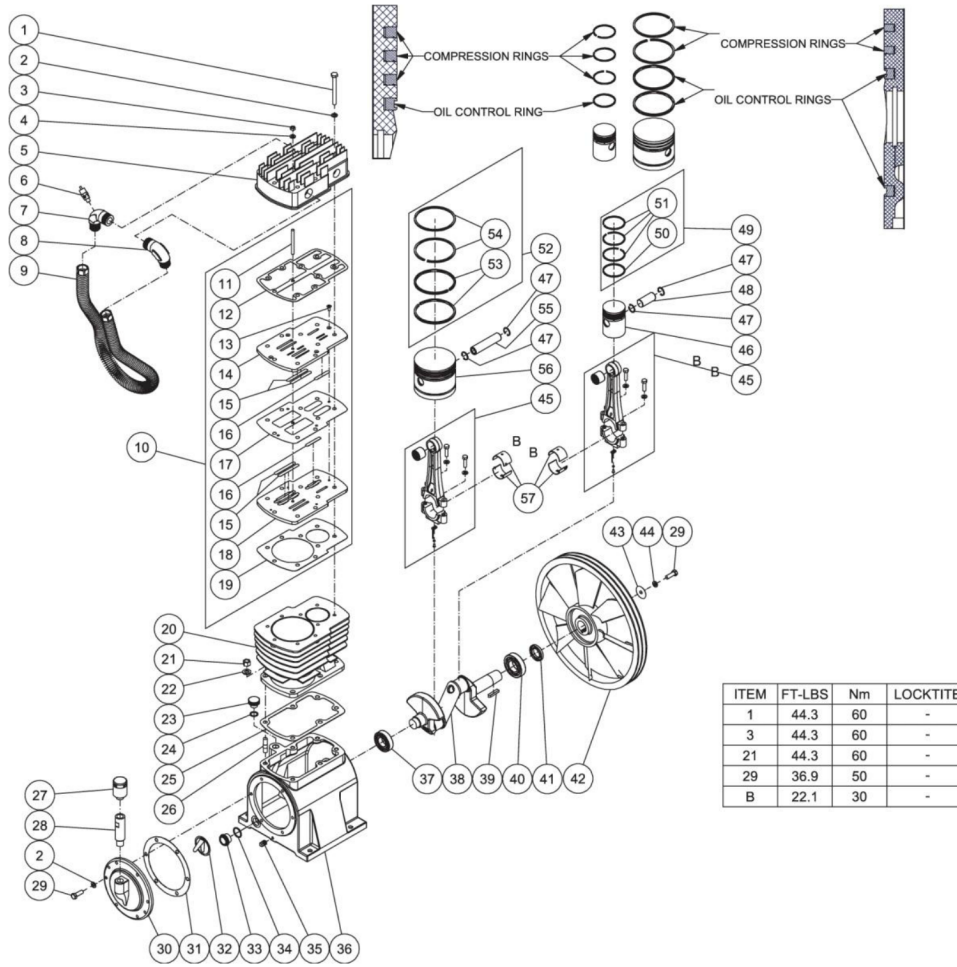
Id	Item #	Description	Quantity
12	24-0009	PLUG	1
13	22-0416	PRESSURE SWITCH	1
14	22-0267	PRESSURE RELIEF VALVE	1
15	39-0014	PLUG	1
16	22-0271	PRESSURE GAUGE	1
17	23-0111	REDUCER	1
18	N/A	DECAL- DATA PLATE	1
19	N/A Sep.	DECAL- WARNING: RISK OF BURNS (SEE 34-9016)	1
20	N/A Sep.	DECAL- OPERATING INSTRUCTIONS (SEE 34-9016)	1
21	N/A Sep.	DECAL- MAINTENANCE INSTRUCTIONS (SEE 34-9016)	1
22	34-0828	DECAL- MI-T-M AIR COMPRESSOR	1
23	N/A Sep.	DECAL- DANGER/WARNING/CAUTION (SEE 34-9016)	1
24	N/A Sep.	DECAL- TANK DRAIN (SEE 34-9016)	1
25	23-0312	PETCOCKS	1
26	24-0219	PLUG	1
27	12-0203A01	TANK ASSEMBLY	1
28	22-0344	BALL VALVE	1
29	24-0200	CLOSE NIPPLE	1
30	N/A Sep.	DECAL- CHECK OIL TAPE (SEE 34-9016)	1
31	54-0034	COPPER TUBE *(ONE FOOT REQUIRED)	1
32	23-0328	ADAPTER	1
33	22-0429	CHECK VALVE	1
34	27-0121	BOLT	1
35	28-0023	FLATWASHER	19
36	30-0159	LOCKNUT	8
37	3-0304	PUMP	1
38	15-0278	HOSE	1
39	23-0081	ELBOW	1
40	27-9524	BOLT	3
41	854-0066	BELTGUARD BACK ASSEMBLY (INC. 42-44)	1
42	N/A Sep.	BELTGUARD BACK (SEE 854-0066)	1
43	33-0020	EDGING *(THREE FEET REQUIRED)	1
44	N/A Sep.	DECAL- WARNING: BELTGUARD IN PLACE (SEE 34-9016)	1
45	33-0197	FASTENER	2
46	854-0067	BELTGUARD FRONT ASSEMBLY (INC. 47-48)	1
47	N/A Sep.	BELTGUARD FRONT PANEL (SEE 854-0067)	1
48	33-0020	EDGING *(FIVE FEET REQUIRED)	1
49	11-0069	DRIVE BELT	2
50	27-0015	BOLT	2

Id	Item #	Description	Quantity
51	9-0010	BUSHING	1
52	10-0067	SHEAVE	1
53	30-0157	LOCKNUT	2
54	28-0003	WASHER	4
55	13-0192A01	ANGLE BRACKET	1
56	27-8074	BOLT	2
57	20-1020A52	SPACER	2
58	27-0066	SCREW	2
59	19-0237	FILTER CANISTER (INC. 60)	1
60	19-0226	FILTER	1
61	6-0126A01	FINGERGUARD	1
62	29-0006	LOCKWASHER	2
63	28-0002	WASHER	2
64	43-0078	KEY	1
65	27-0118	BOLT	1
66	13-0139A01	E-BOX MOUNT	1
67	20-0461A01	BELT TENSIONER PLATE	1
68	27-0576	BOLT	1
	34-9016	DECAL KIT (INC. 7, 19-21, 23-24, 30, 44)	
		*MUST ORDER IN ONE FOOT LENGTHS	



AM2-S375-80M / AM2-S375-80M (sn:0-99999999)

PUMP ASSEMBLY



ITEM	FT-LBS	Nm	LOCKTITE
1	44.3	60	-
3	44.3	60	-
21	44.3	60	-
29	36.9	50	-
B	22.1	30	-

Id	Item #	Description	Quantity
1	27-8072	BOLT	9
2	28-1059	COPPER WASHER	15
3	30-0058	NUT	1
4	28-1011	WASHER	1
5	46-1318	PUMP HEAD	1
6	22-0362	LP SAFETY VALVE	1
7	24-0310	OUTLET ELBOW W/PORT	1
8	24-0311	OUTLET ELBOW	1
9	46-1319	INTERCOOLER TUBE	1
10	70-0505	VALVE PLATE GASKETS/REEDS (INC. 11-19)	1

Id	Item #	Description	Quantity
11	N/A	STUD	1
12	N/A	GASKET	1
13	N/A	SCREW	4
14	N/A	UPPER VALVE PLATE	1
15	N/A	LP REED VALVE	4
16	N/A	HP REED VALVE	2
17	N/A	GASKET	1
18	N/A	LOWER VALVE PLATE	1
19	N/A	GASKET	1
20	46-1320	CYLINDER	1
21	N/A	HEX NUT	6
22	N/A	LOCKWASHER	6
23	46-1281	OIL FILL CAP	1
24	25-0160	O-RING	1
25	N/A	GASKET	1
26	N/A	STUD	6
27	46-1276	BREATHER ASSY	1
28	46-1277	BREATHER PIPE	1
29	N/A	BOLT	7
30	46-1278	REAR CRANKCASE COVER	1
31	N/A	GASKET	1
32	46-1279	OBSTRUCT OIL NET	1
33	46-1280	OIL LEVEL SIGHT GLASS	1
34	25-0150	O-RING	1
35	24-0009	PLUG	1
36	46-1321	PUMP CRANKCASE	1
37	48-0024	BALL BEARING	1
38	46-1322	PUMP CRANKSHAFT	1
39	43-0125	KEY	1
40	48-0014	BALL BEARING	1
41	N/A	OIL SEAL	1
42	10-0141	FLYWHEEL	1
43	N/A	WASHER	1
44	29-0055	LOCKWASHER	1
45	70-0506	KIT - CONNECTING ROD ASSY	2
46	46-1323	HP PISTON	1
47	46-1324	PISTON PIN SNAP RING	4
48	46-1325	HP PISTON PIN	1
49	70-0507	KIT - HP PISTON RINGS	1

Id	Item #	Description	Quantity
50	N/A	OIL RING	1
51	N/A	COMPRESSION RING	3
52	70-0508	KIT - LP PISTON RINGS	1
53	N/A	OIL RING	2
54	N/A	COMPRESSION RING	2
55	46-1326	LP PISTON PIN	1
56	46-1327	LP PISTON	1
57	46-1328	CONNECTING ROD BUSHING	4
KIT	70-0509	PUMP GASKETS KIT (INC. 12, 17, 19, 25, 31)	1