



HEARTH PRODUCTS

P/N 875026M Rev. F 04/2013

This manual is part of a set of two supporting this product.

Refer to P/N 850025M for Installation Instructions.

Ce manuel est disponible en français, simplement

en faire la demande. Numéro de la pièce 875026CF.



OTL Report No. 116-F-07A-5

CARE AND OPERATION INSTRUCTIONS

**EBVST & EBVPF
B-Vent Gas Fireplaces**

ELITE[®] SERIES

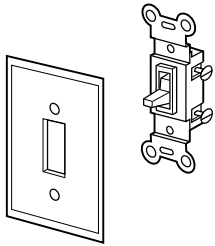
MODELS		
<u>MILLIVOLT:</u>		<u>ELECTRONIC:</u>
EBVSTNM-B	EBVSTPM-B	EBVSTNE-B
EBVPFNM-B	EBVPFPM-B	EBVPFNE-B

Decorative Product: Not for use as a heating appliance.

NOTICE: Fireplace is not to be operated by a thermostat.

ACCESSORY COMPONENTS

Product Reference Information			
Cat. No.	Model	Ship. Weight	Ship. Volume
H7826	EBVSTNM-B	282 lbs.	(36.2 cu.ft.)
H7828	EBVSTNE-B	282 lbs.	(36.2 cu.ft.)
H7827	EBVSTPM-B	282 lbs.	(36.2 cu.ft.)
H7829	EBVPFNM-B	270 lbs.	(36.2 cu.ft.)
H7831	EBVPFNE-B	270 lbs.	(36.2 cu.ft.)
H7830	EBVPFPM-B	270 lbs.	(36.2 cu.ft.)



OFF/ON Wall Switch Kit

The OFF/ON wall switch kit may be used to control the operation of the fireplace burner. Install the OFF/ON wall switch in a convenient location near the fireplace.

White Wall Switch Kit		
Cat. No.	Model No.	Description
85L87	FWSK	OFF/ON Wall Switch Kit



Cost Effective Solution

- Simple On/Off operation
- Works with millivolt and low voltage electronic ignition controls

Kit includes:
Remote and Receiver

G-Fire Remote, Simple On/Off		
Cat. No.	Model No.	Description
H8840	KIT-RC-G-FIRE	Remote Control

Door Frame Kits

A decorative door frame kit is available for use with these appliances. The DTK is designed to attach directly to the front face of the appliance at its extreme edges. The DTK provides a picture frame finish for the appliance. The door frame kit can be retrofitted onto previously installed appliances.

Door Frame Kits Catalog No. / Model No. and Number of Sets				
Unit Model No.	Polished Brass Finish		Brushed Stainless Finish	
	for 24" wide glass door	for 40" wide glass door	for 24" wide glass door	for 40" wide glass door
	88L43 DTK24PB-2	88L45 DTK40PB-2	90L69 DTK24BS	90L71 DTK40BS
EBVST	---	2	---	2
EBVPF	1	2	1	2



Manual or up to 3 hr Countdown Timer modes

- LCD display
- Displays room temp. in °F or °C
- Flame icon and low battery indicator
- Includes batteries
- Wall clip included
- Receiver may be wall mounted or placed in the control compartment
- Includes white face plate
- Flame icon
- Low battery indicator
- Batteries included

Remote, Two Button, Timer, On/Off Or Timer Mode		
Cat. No.	Model No.	Description
H8860	RC-S-1	Remote Control



Wall Control

- 4-button timer with 30/60/120/OFF minutes
- Wall surface mounted
- Connects to wall switch wire
- Perfect for rental and resort applications

Wall Switch, Countdown Timer		
Cat. No.	Model No.	Description
H8863	WS-S-TMR	Wall Switch

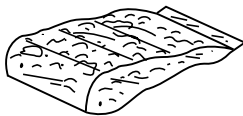
ACCESSORY COMPONENTS CONTINUED



Touch-Up Paint Kits		
Cat. No.	Model No.	Description
90L73	TPK-B	Touch-Up Paint (Black)

Touch-Up Paint Kit

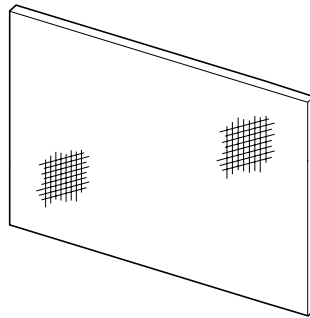
Repair of minor scratches and discoloration of the appliance black painted surfaces may be accomplished with the touch-up paint kit.



Decorative Firebox Accessories		
Cat. No.	Model No.	Description
88L53	FGE	Bag of Glowing Embers
80L42	FDVS	Bag of Decorative Volcanic Stone
H6319	----	Bag of Vermiculite

Bag of Glowing Embers Bag of Volcanic Stone Bag of Vermiculite

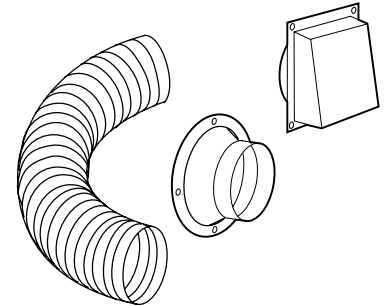
Replacement ember materials, volcanic stone or vermiculite are available for use with these appliances. Order kits as part of the periodic maintenance of the appliance.



Barrier Screen Kits		
Cat. No.	Model No.	Description
98K74	HG24	24" Barrier Screen
96K32	HG40	40" Barrier Screen

Barrier Screen Kits

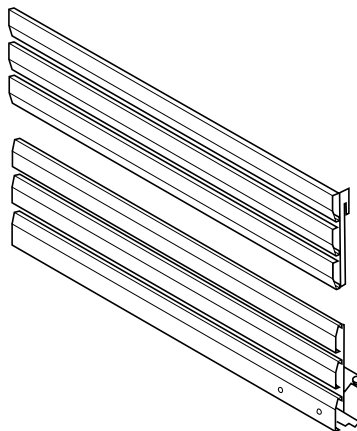
These barrier screen kits create a barrier to prevent direct contact with the hot glass. The screen panel affixes directly to the glass enclosure panel.



Outside Combustion Air Kits		
Cat. No.	Model No.	Description
81L87	FOAK-4	(with duct)
81L88	FOAK-4LD	(without duct)

Outside Air Kits Models FOAK-4 and FOAK-4LD

Outside Air kits are available with duct (FOAK-4) and without duct (FOAK-4LD) for use if outside combustion air is required or desired. If model FOAK-4LD is used it must be used in conjunction with locally purchased, non-combustible Class 1 or Class 0 flexible duct.



Black Finish Louvers Kits

Decorative louvers are available for use with all Multi-Open Series appliances. These louvers are designed to replace the standard radiant panels that are provided with the appliance. These kits include a black finish top 3-piece assembly and a bottom 3-piece assembly. These kits can be retrofitted to previously installed appliances.

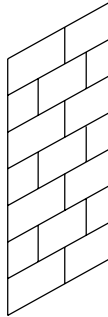
Black Finish Louver Assembly Kits (3-piece Top and 3-piece Bottom Assembly) CATALOG NO. / MODEL NO. AND NUMBER OF SETS

Unit Model No.	Black Finish	
	for 24 in. wide Glass Door	for 40 in. wide Glass Door
	88L23 LVR24C-2	88L25 LVR40C-2
EBVST	-	2
EBVPF	1	2

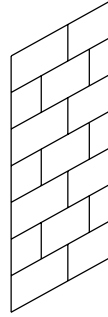
ACCESSORY COMPONENTS CONTINUED

Brickaded Panel Liner Kits	
Model Number	Catalog Number Model Number
EBVPF	H0778 EBLK-PF
EBVST	H0779 EBLK-ST

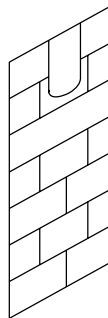
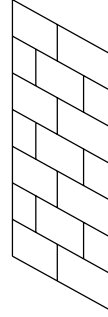
The brickaded liner kits include ceramic panels as shown here. The panels have brick-like features in relief.



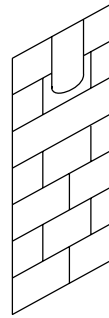
**H0778
(Top Vent)
EBVPF**



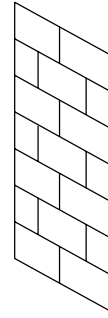
**H0779
(Top Vent)
EBVST**



**H0778
(Rear Vent)
EBVPF**



**H0779
(Rear Vent)
EBVST**



ACCESSORY COMPONENTS CONTINUED

Style View™ Doors

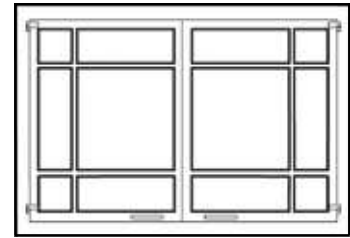
Style View™ doors come in three styles. They are easy to install onto the standard glass door frame. Includes heavy-duty magnetic door latches and functional twin-pane doors. Style View Doors and Grille Kits are not available for the EBVPF model fireplaces.



Arch Design



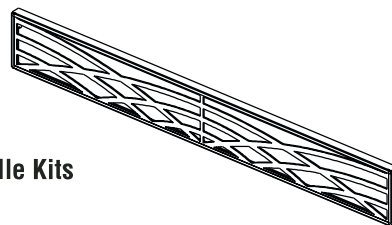
Arch Pane Design



Square Pane Design

ARCH DESIGN KITS			
Cat. No.	Model	Description	Model Series
H8771	AD40B-2	40" Arch Doors, Black	EBVST
H8772	AD40SP-2	40" Arch Doors, Satin Pewter	
ARCH PANE DESIGN KITS			
H8777	APD40C-2	40" Arch Pane Doors, Black	EBVST
H8778	APD40SP-2	40" Arch Pane Doors, Satin Pewter	

SQUARE PANE DESIGN KITS			
Cat. No.	Model	Description	Model Series
H8783	SPD40C-2	40" Sq. Pane Doors, Black	EBVST
H8784	SPD40SP-2	40" Sq. Pane Doors, Satin Pewter	



"Sunrise" Grille Kits

"Sunrise" Grille Kits			
Cat. No.	Model	Description	Model Series
H3573	SUGK40C	40" Sunrise Upper Grille Kit, Black	EBVST
H3575	SUGK40SP	40" Sunrise Upper Grille Kit, Satin Pewter	
H3577	SLGK40C	40" Sunrise Lower Grille Kit, Black	
H3579	SLGK40SP	40" Sunrise Lower Grille Kit, Satin Pewter	

REPLACEMENT PARTS LIST

No.	Description	Natural and Propane		
		Part No.	Qty. EBVST	Qty. EBVPF
1a	Upper Radiant, Black - 24"	H6335	none	1
1b	Upper Radiant, Black - 40"	H6334	2	2
2a	Hood, Black - 24"	98K95	none	1
2b	Hood, Black - 40"	97K52	2	2
3a	Upper Bustle, Black - 24"	H6353	none	1
3b	Upper Bustle, Black - 40"	H6351	2	2
4a	Glass Enclosure Assembly - 24"	H6591	none	1
4b	Glass Enclosure Assembly - 40"	H6365	2	2
5a	Lower Bustle, Black - 24"	H6341	none	1
5b	Lower Bustle, Black - 40"	H6339	2	2
6a	Lower Radiant Assembly, Black - 24"	H6343	none	1
6b	Lower Radiant Assembly, Black - 40"	H6342	2	2
7	Nameplate (Brand)	12L15	2	2
8	Log Set	55M04	1	1
9a	Bag of Vermiculite	H6319	1	1
9b	Bag of Embers - (Rockwool)	88L53	1	1
9c	Bag of Decorative Volcanic Stone	80L42	1	1
10	Magnet, Radiant Panel	H3876	2	4
11	Burner Assembly	H6267	1	1
12	Gasket, Venturi Tube Mounting	43k85	1	1
13	Latch, Glass Enclosure Panel	69L21	2	2
14	Magnet, Latch, Spring-Loaded	69L31	4	4
15	Switch, Rocker	27K30	1	1
16	Limit Switch	62L16	1	1
17	Flex Gas Line Connector	93L32	1	1

Gas Controls — SIT Millivolt					
No.	Description	Natural		Propane	
		Part No.	Qty.	Part No.	Qty.
30	Gas Valve - SIT	H6209	1	88J53	1
31	Piezo Igniter	10K86	1	10K86	1
32	Pilot Assembly	69L17	1	69L18	1
33	Pilot Generator	60J79	1	60J79	1
34	Thermocouple	74L57	1	74L57	1
35	Pilot Tube	74L56	1	74L56	1
36	Electrode and Cable	H6212	1	H6212	1
37	Modesty Panel / Sticker Assembly	H6305	1	H6305	1

Gas Controls — Honeywell Electronic					
No.	Description	Natural		Propane	
		Part No.	Qty.	Part No.	Qty.
40	Gas Valve - Honeywell	62L18	1	62L19	1
41	Pilot Assembly	62L14	1	62L15	1
42	Transformer	42J32	1	42J32	1
43	Igniter Assembly (kit)	87L54	1	87L54	1
44	Modesty Panel/Sticker Assembly	H6304	1	H6304	1
45	Pilot Tube	LB-97487A	1	LB-97487A	1

Gas Orifices, Main — SIT And Honeywell Systems					
No.	Description	Natural		Propane	
		Part No.	Qty.	Part No.	Qty.
50	Gas Orifice - EBVST / EBVPF	37L82	1	H4873	1

Contact a Lennox Hearth Products dealer to obtain any of these parts. Never use substitute materials. Use of non-approved parts can result in poor performance and safety hazards.

WARNING

Failure to position the parts in accordance with these diagrams or failure to use only parts specifically approved with this appliance may result in property damage or personal injury.

AVERTISSEMENT

Risque de dommages ou de blessures si les pièces ne sont pas installées conformément à ces schémas et ou si des pièces autres que celles spécifiquement approuvées avec cet appareil sont utilisées.

REPLACEMENT PARTS

NOTE: EBVPF Shown - see the tables on Page 30 for replacement parts applicable to EBVST fireplaces.

