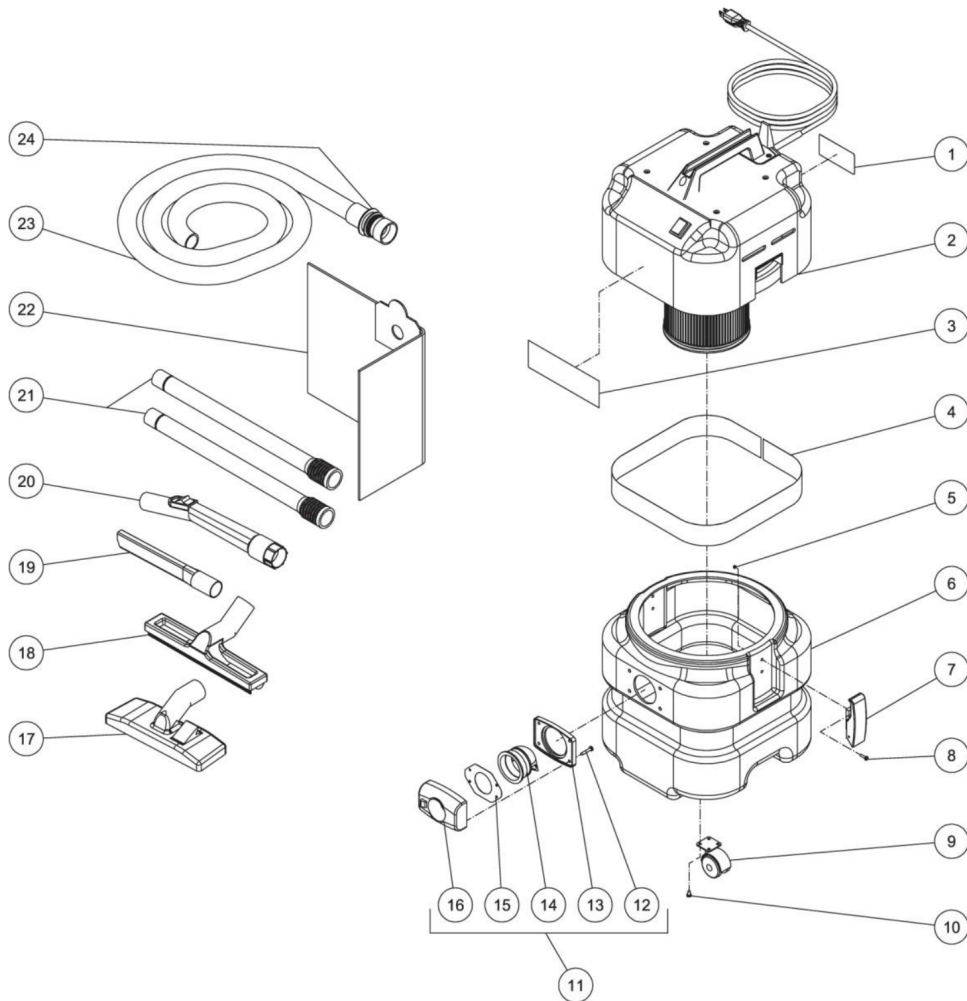




MV-900-0MEV / MV-900-0MEV (sn:0-99999999)

VAC ASSEMBLY

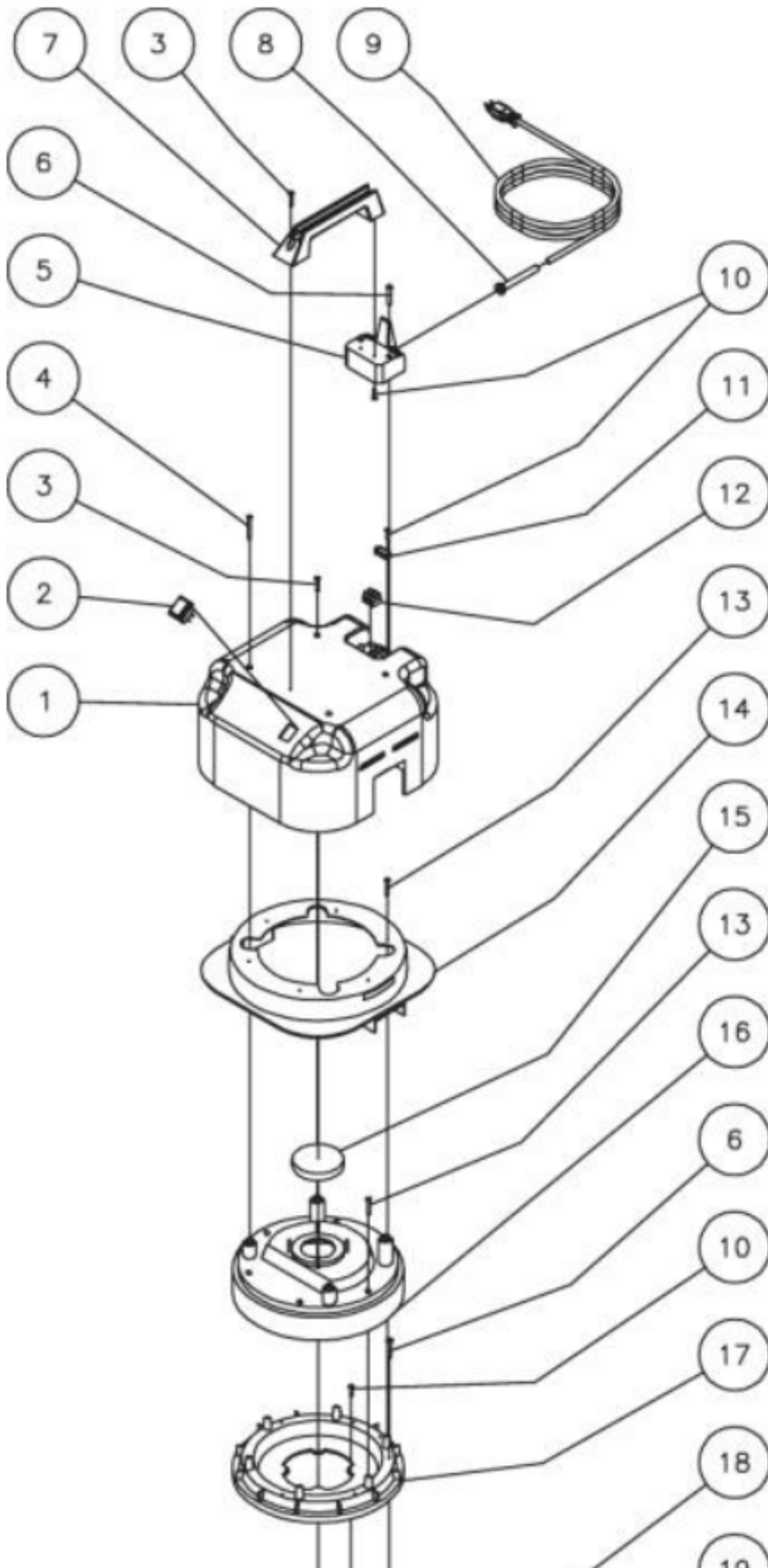


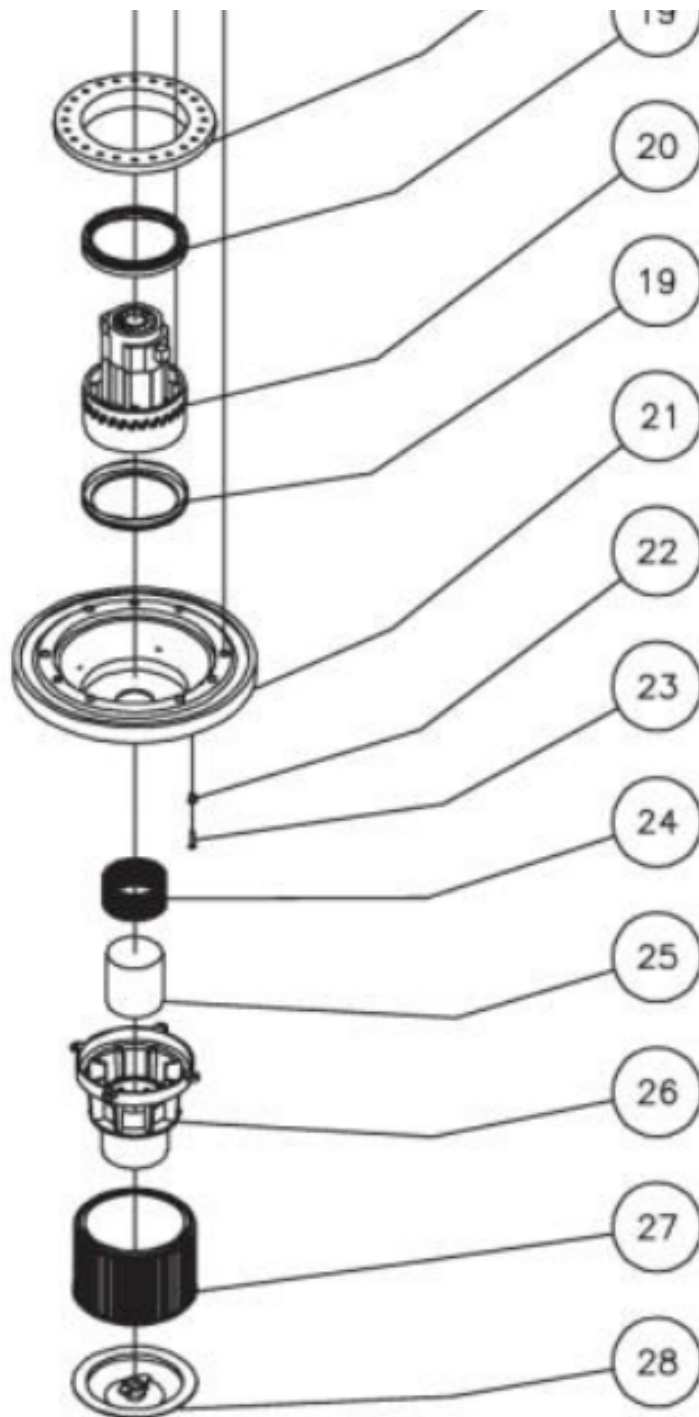
Id	Item #	Description	Quantity	Rev	Comments
1	N/A	DECAL- SILVER STICKER	1		
2	3-0239	POWER HEAD ASSEMBLY	1		
3	34-1414	DECAL - MI-T-M	1		
4	34-1291	DECAL - MI-T-M STRIPE	1		
5	30-0053	HEX NUT	4		
6	62-0147	BOTTOM CANISTER	1		
7	33-0416	LATCH	2		
8	27-8942	SCREW	4		
9	14-0093	CASTER WHEEL	4		

Id	Item #	Description	Quantity	Rev	Comments
10	27-3262	SCREW	12		
11	70-0368	VACUUM INLET	1		
12	N/A	SCREW	4		
13	N/A	RECEIVER FLANGE	1		
14	N/A	DEFLECTOR ELBOW	1		
15	N/A	GASKET	1		
16	N/A	HOSE RECEIVER	1		
17	33-0411	COMBO FLOOR TOOL	1		
18	33-0410	FLOOR SQUEEGEE	1		
19	33-0412	CREVICE TOOL	1		
20	16-0403	CURVED WAND	1		
21	16-0402	EXTENSION WAND	2		
22	19-0222	FILTER BAG	1		
23	15-0242	HOSE *(TEN FEET REQUIRED)	1		
24	50-0178	INLET CUFF	1		

*MUST ORDER IN ONE FOOT LENGTHS

VAC POWER HEAD ASSEMBLY





Id	Item #	Description	Quantity	Rev	Comments
1	62-0151	TOP CANISTER	1		
2	32-0789	ROCKER SWITCH	1		
3	27-9552	SCREW	3		
4	27-9553	SCREW	2		
5	62-0157	HANDLE BASE	1		
6	27-9555	SCREW	8		
7	62-0158	HANDLE	1		
8	32-0788	STRAIN RELIEF	1		
9	32-0792	CORD ASSEMBLY	1		
10	27-9551	SCREW	8		

Id	Item #	Description	Quantity	Rev	Comments
11	32-0787	CORD CLAMP	1		
12	32-0790	TERMINAL BLOCK	1		
13	27-9554	SCREW	6		
14	62-0152	CHAMBER DIVIDER	1		
15	26-0275	GASKET FILTER	1		
16	62-0153	MOTOR RETAINER TOP	1		
17	62-0154	MOTOR RETAINING HEAD BOTTOM	1		
18	26-0277	MOTOR BOTTOM GASKET	1		
19	26-0224	MOTOR GASKET	2		
20	2-0140	MOTOR- 1.3 HP	1		
21	62-0155	CANISTER BASE	1		
22	62-0156	FILTER HOUSING SPACER	4		
23	27-9556	SCREW	4		
24	19-0229	SCREEN	1		
25	62-0161	FLOAT	1		
26	62-0159	FILTER HOUSING	1		
27	19-0221	FILTER	1		
28	62-0160	FILTER RETAINING CLIP	1		