



HEARTH PRODUCTS

	⚠ WARNINGS
	<ul style="list-style-type: none"> • Hot! Do not touch! The glass and surfaces of this appliance will be hot during operation and will retain heat for a while after shutting off the appliance. Severe burns may result. • Carefully supervise children in the same room as appliance.
<ul style="list-style-type: none"> • If small children are present in the home, it is recommended that this appliance be fitted with a screen door or screen panel kit. See <i>Page 11</i> for ordering information. 	

INSTALLER: Leave this manual with the appliance.
CONSUMER: Retain this manual for future reference.

INSTALLATEUR: Laissez cette notice avec l'appareil.
CONSOMMATEUR: Conservez cette notice pour consultation ultérieure.

WARNING: IF THE INFORMATION IN THIS MANUAL IS NOT FOLLOWED EXACTLY, A FIRE OR EXPLOSION MAY RESULT CAUSING PROPERTY DAMAGE, PERSONAL INJURY OR LOSS OF LIFE.

Do not store or use gasoline or other flammable vapors or liquids in the vicinity of this or any other appliance.

WHAT TO DO IF YOU SMELL GAS:

- Do not light any appliance.
- Do not touch any electrical switch; no not use any phone in your building.
- Immediately call your gas supplier from a neighbor's phone. Follow your gas suppliers instructions.
- If your gas supplier cannot be reached, call the fire department.

Installation and service must be performed by a qualified installer, service agency or the gas supplier.

CARE AND OPERATION INSTRUCTIONS

DIRECT VENT MERIT™ PLUS SERIES

VENTED GAS FIREPLACE HEATERS - DIRECT VENT MODELS
P/N 875,036M REV. B 08/2009

MODELS

Millivolt Models

MPLDV-30NM
MPLDV-30PM
MPLDV-35NM-2
MPLDV-35PM-2
MPLDV-40NM
MPLDV-40PM
MPLDV-45NM
MPLDV-45PM

Electronic Models

MPLDV-30NE
MPLDV-35NE-2
MPLDV-40NE
MPLDV-45NE



OTL Report No. 116-F-47-5

AVERTISSEMENT: ASSUREZ-VOUS DE BIEN SUIVRE LES INSTRUCTIONS DONNÉES DANS CETTE NOTICE POUR RÉDUIRE AU MINIMUM LE RISQUE D'INCENDIE D'EXPLOSION OU POUR ÉVITER TOUT DOMMAGE MATÉRIEL, TOUTE BLESSURE OU LA MORT.

Ne pas entreposer ni utiliser d'essence ni d'autre vapeurs ou liquides inflammables dans le voisinage de cet appareil ou de tout autre appareil.

QUE FAIRE SI VOUS SENTEZ UNE ODEUR DE GAZ:

- Ne pas tenter d'allumer d'appareil.
- Ne touchez à aucun interrupteur. Ne pas vous servir des téléphones se trouvant dans le bâtiment où vous vous trouvez.
- Appelez immédiatement votre fournisseur de gaz depuis un voisin. Suivez les instructions du fournisseur.
- Si vous ne pouvez rejoindre le fournisseur de gaz, appelez le service des incendies.

L'installation et l'entretien doivent être assurés par un installateur ou un service d'entretien qualifié ou par le fournisseur de gaz.

WARNING: THIS APPLIANCE IS NOT MEANT TO BURN WOOD. ANY ATTEMPT TO DO SO COULD CAUSE IRREPARABLE DAMAGE TO YOUR APPLIANCE AND PROVE HAZARDOUS TO YOUR SAFETY.

WARNING: THE SIZE AND POSITION OF THE LOG SET WAS ENGINEERED TO GIVE YOUR APPLIANCE A SAFE, RELIABLE AND ATTRACTIVE FLAME PATTERN. ANY ATTEMPT TO USE A DIFFERENT LOG SET IN THE FIREPLACE WILL VOID THE WARRANTY AND WILL RESULT IN INCOMPLETE COMBUSTION, SOOTING, AND POOR FLAME QUALITY.

Volcanic Stones Placement

Refer to the detailed placement instructions provided in the **LOG PLACEMENT GUIDE** accompanying this document.

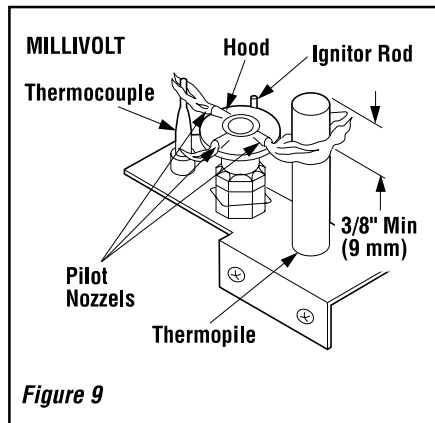
Ceramic Panel Placement

Refer to the detailed ceramic panel placement instructions provided in the **LOG PLACEMENT GUIDE** accompanying this document.

Millivolt Appliance Checkout

The pilot flame should be steady, not lifting or floating. Flame should be blue in color with traces of orange at the outer edge.

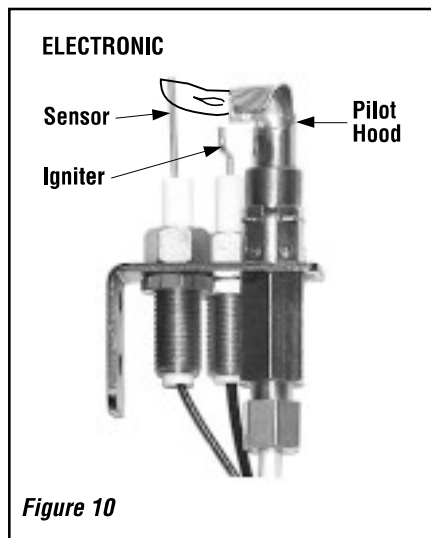
The top 3/8" (10 mm) at the pilot generator (thermopile) and the top 1/8" min (tip) of the quick drop out thermocouple should be engulfed in the pilot flame. The flame should project 1" (25 mm) beyond the hood at all three ports. See **Figure 9**. To light the burner, refer to the lighting instructions on **pages 12 and 13**.



Electronic Appliance Checkout

To light the burner, refer to the lighting instructions on **page 14 and 15**. Ensure the ignitor lights the pilot. The pilot flame should engulf the flame sensor as shown in **Figure 10**.

With proper care and maintenance, your appliance will provide many years of enjoyment. If you should experience any problem, first refer to the trouble shooting guide in this manual. If problem persists, contact your Lennox distributor.



Installing Optional Decorative Style View Doors

Decorative Style View doors are optional with these fireplaces. When installing Style View doors on any of these models remove, retain and store away the bottom panel from the control compartment accessway. The bottom of the Style View doors provide coverage for this area. If the doors are installed, the unit mounted On/Off switch, if used, must be relocated to the bracket provided with the door. Refer to the detailed instructions provided with the doors.

ACCESSORY COMPONENTS



Remote Control System (Standard) H0249 RCL

Standard Remote Control System

The Model RCL (Standard) Remote Control System, features a simple On/Off control function for the fireplace. This model includes a hand-held transmitter, a remote receiver with wall-mount coverplate and all hardware required to install the unit. The remote receiver can be wall or hearth mounted.

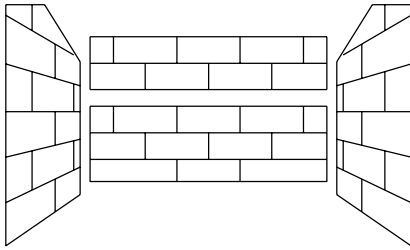


Remote Control System (Deluxe) H0251 RCL-T

Deluxe Remote Control System

The Model RCL-T (Deluxe) Remote Control System has all of the features of the standard system along with an added easy to read LCD screen which presents access to many enhancements, including: battery power level indicator, timer, mode of operation, thermostatic display including room temperature in either metric or English units, flame indicator and clock. Fully programmable, the Model RCL-T allows for command over nearly all operational and temperature variables, using the hand held remote control transmitter.

ACCESSORY COMPONENTS CONTINUED



Brick Liner Kits		
Model No.	Catalog No. Model No.	Description
MPLDV30	H6086 BLKT-MPLDV30	Buff Rustic
MPLDV30	H6087 BLKTR-MPLDV30	Red Rustic
MPLDV35	H6088 BLKT-MPLDV35	Buff Rustic
MPLDV35	H6089 BLKTR-MPLDV30	Red Rustic
MPLDV40	H6090 BLKT-MPLDV40	Buff Rustic
MPLDV40	H6091 BLKTR-MPLDV40	Red Rustic
MPLDV45	H6092 BLKT-MPLDV45	Buff Rustic
MPLDV45	H6093 BLKTR-MPLDV45	Red Rustic

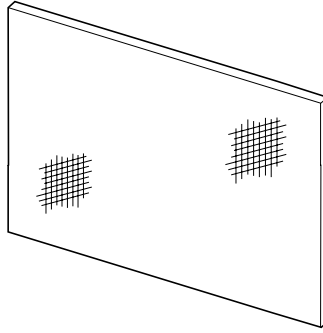
The brick panel liner kits include ceramic panels of the side walls, the rear and the baffle of the fireplace. The panels have brick-like features in relief.



Touch-Up Paint (Black) Kit 70K99 FTK-B

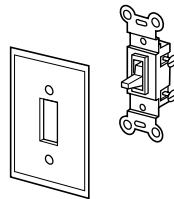
Touch-Up Paint Kit

Repair of minor scratches and discoloration of the appliance charcoal painted surfaces may be accomplished with the touch-up paint kit.



Screen Panel Kits		
Model No.	Catalog No. Model No.	Description
MPLDV30	H6094 30MSPK	30" Screen Panel Kit
MPLDV35	H6095 35MSPK	35" Screen Panel Kit
MPLDV40	H3989 40LSPK	40" Screen Panel Kit
MPLDV45	H3990 45LSPK	45" Screen Panel Kit

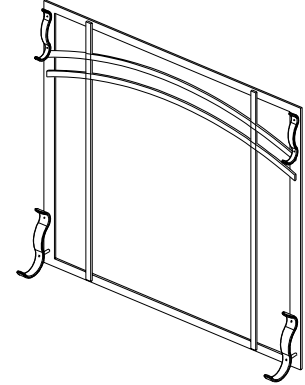
These screen panels can be installed on the glass enclosure panel to provide protection from the hot glass surface. The screen panel kits cannot be used in conjunction with either of the arch door kits or door frame kits.



ON/OFF Wall Switch Kit 85L87 FWSK

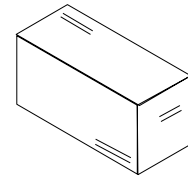
ON/OFF Wall Switch Kit

The ON/OFF wall switch kit may be used to control the operation of the fireplace burner as an alternative to the modesty panel mounted ON-OFF switch. Install the ON/OFF wall switch in a convenient location near the fireplace.



Dual Arch Screen Kits	
Model No.	Catalog No. Model No.
MPLDV40	H4689 DASK-DV40
MPLDV45	H4690 DASK-DV45

These screen kits can be installed on the glass enclosure panel to provide protection from the hot glass surface.



Pine Cones and Wood Bits 91L05 FPCK

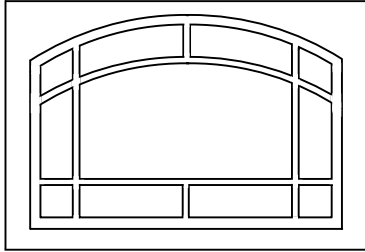
Twelve Piece Ember Kit

A twelve piece ember kit (model FPCK) has been developed to provide a means of enhancing the already impressive log presentation of this fireplace. This kit contains three (3) ceramic fiber pine cones and nine (9) ceramic fiber debris wood bits. All twelve elements will not be consumed in the flames and may be placed within the presentation area (without impinging any of the lofting flames) to add realism and enhance the rustic look and appeal of the fire.

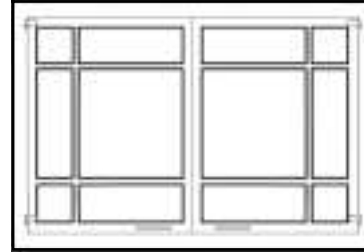
ACCESSORY COMPONENTS CONTINUED

Style View™ Doors and Facades-

These Style View Doors and Facades are easy to install and will not require hardware to attach them to the standard glass door frame. The doors (for 35", 40" and 45" models) include heavy duty magnet door latches and functional twin-pane doors. Facades for 30" MPLDV Models are non-operable.



Arch Pane Design (Facade Shown)



Square Pane Design (Door Shown)

ARCH PANE DESIGN KITS			Model Series
Cat. No.	Model	Description	
H6104	APDML30C	30" Arch Pane Facade, Charcoal	MPLDV30
H6105	APDML30SP	30" Arch Pane Facade, Satin Pewter	
H6106	APDML35C	35" Arch Pane Door, Charcoal	MPLDV35
H6107	APDML35SP	35" Arch Pane Door, Satin Pewter	
H6108	APDML40C	40" Arch Pane Door, Charcoal	MPLDV40
H6109	APDML40SP	40" Arch Pane Door, Satin Pewter	
H6110	APDML45C	45" Arch Pane Door, Charcoal	MPLDV45
H6111	APDML45SP	45" Arch Pane Door, Satin Pewter	

SQUARE PANE DESIGN KITS			Model Series
Cat. No.	Model	Description	
H6096	SPDML30C	30" Square Pane Facade, Charcoal	MPLDV30
H6097	SPDML30SP	30" Square Pane Facade, Satin Pewter	
H6098	SPDML35C	35" Square Pane Door, Charcoal	MPLDV35
H6099	SPDML35SP	35" Square Pane Door, Satin Pewter	
H6100	SPDML40C	40" Square Pane Door, Charcoal	MPLDV40
H6101	SPDML40SP	40" Square Pane Door, Satin Pewter	
H6102	SPDML45C	45" Square Pane Door, Charcoal	MPLDV45
H6103	SPDML45SP	45" Square Pane Door, Satin Pewter	

REPLACEMENT PARTS LIST

No.	DESCRIPTION	MPLDV30		MPLDV35		MPLDV40		MPLDV45	
		Part No.	Qty.	Part No.	Qty.	Part No.	Qty.	Part No.	Qty.
	Gas Fireplace Assembly	-	-	-	-	-	-	-	-
1.	Enclose, Door Assembly	H6127	1	H6128	1	H4654	1	H4655	1
2.	Log Set	H6129	1	H6971	1	H6130	1	H6131	1
3.	Burner Assembly	H6132	1	H6133	1	H6133	1	H6133	1
4.	Gasket - Venturi	43K85	1	43K85	1	43K85	1	43K85	1
5.	Venturi	13M28	1	13M28	1	13M28	1	13M28	1
6.	Bottom Panel	H6134	1	H4661	1	H4662	1	H4663	1
7.	Latch	H6135	2	H6135	2	H6135	2	H6135	2
8.	Grate Assembly	H6136	1	H6137	1	H6137	1	H6137	1
9.	Burner Baffle	N/A	1	H6138	1	H6138	1	H6138	1
10.	Flex Gas Line	H7231	1	H7231	1	H7231	1	H4829	1
11.	Gas Line Tubing - Millivolt	H6139	1	H6141	1	H6141	1	H6141	1
11.	Gas Line Tubing - Electronic	H6140	1	H6142	1	H6142	1	H6142	1
12.	Orifice - Natural Gas	35M90	1	39L66	1	21L79	1	69L96	1
12.	Orifice - Propane Gas	35M91	1	99K78	1	99K79	1	39L10	1
13.	On/Off Control Switch	80L41	1	80L41	1	80L41	1	80L41	1
14.	Volcanic Stone (not illustrated)	74L76	1	74L76	1	74L76	1	74L76	1
15.	Gas Supply Access Plate	H4827	1	H4827	1	H4827	1	H4827	1
16.	Gasket, Access Plate, Gas	H4828	1	H4828	1	H4828	1	H4828	1
17.	Eyebrow	H6143	1	H6144	1	H6145	1	H6146	1
18.	Top Front Face	H6147	1	H6148	1	H6149	1	H6150	1

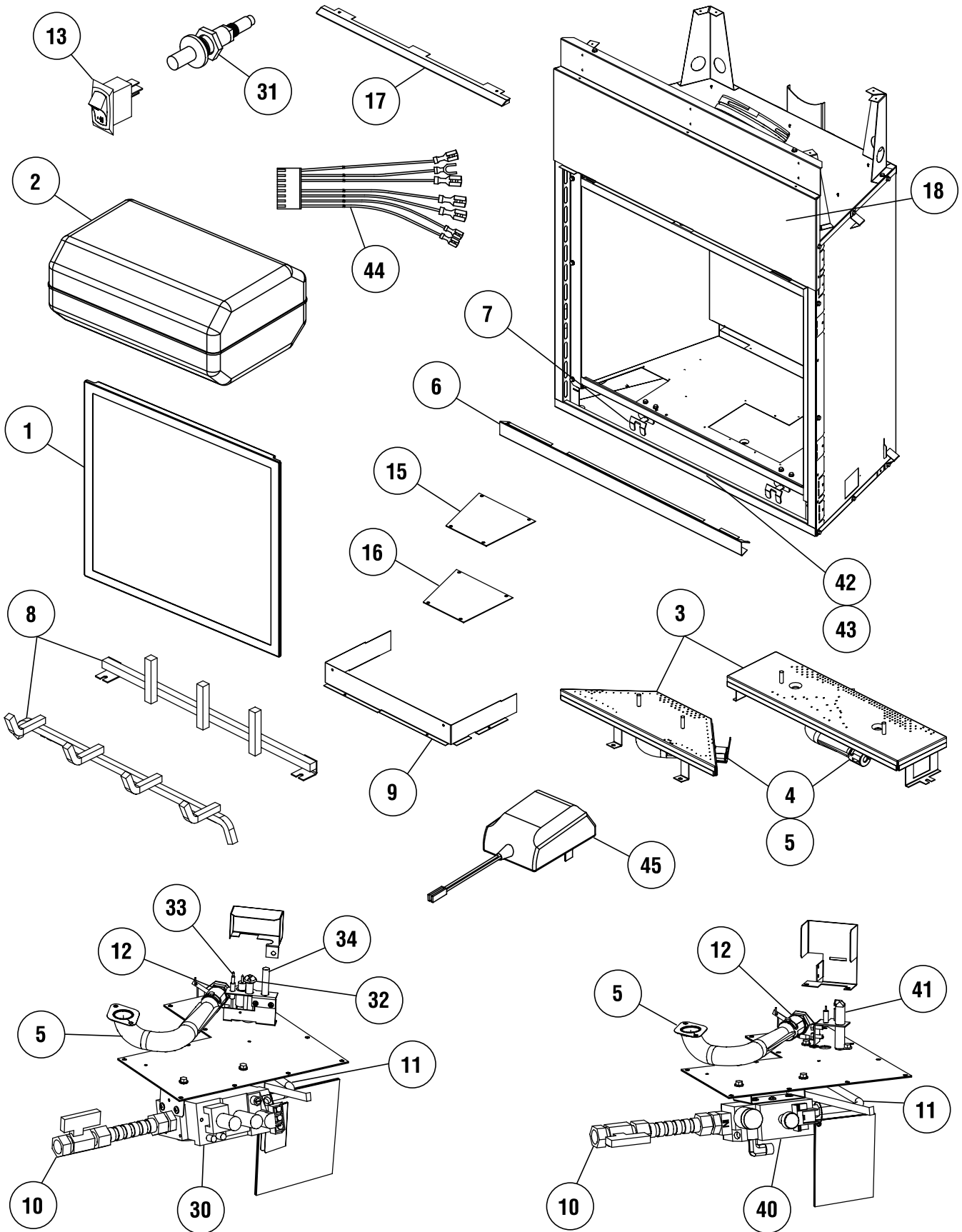
GAS CONTROLS — SIT MILLIVOLT

No.	DESCRIPTION	Natural		Propane	
		Part No.	Qty.	Part No.	Qty.
30.	Gas Valve - SIT	43K07	1	88J53	1
31.	Piezo Igniter	10K86	1	10K86	1
32.	Pilot Assembly	69L17	1	69L18	1
33.	Pilot Generator	60J79	1	60J79	1
34.	Thermocouple	74L57	1	74L57	1
35.	Pilot Tube (not illustrated)	74L56	1	74L56	1
36.	Electrode And Cable (not illustrated)	74L58	1	74L58	1

GAS CONTROLS — DEXEN ELECTRONIC

No.	DESCRIPTION	Natural	
		Part No.	Qty.
40.	Gas Valve - Dexen	H4681	1
41.	Pilot Assembly	H4673	1
42.	Ignitor Module	H4674	1
43.	Battery Holder	H4675	1
44.	Wire Harness	H4676	1
45.	Adapter	H4677	1

REPLACEMENT PARTS



NOTE: DIAGRAMS & ILLUSTRATIONS NOT TO SCALE.