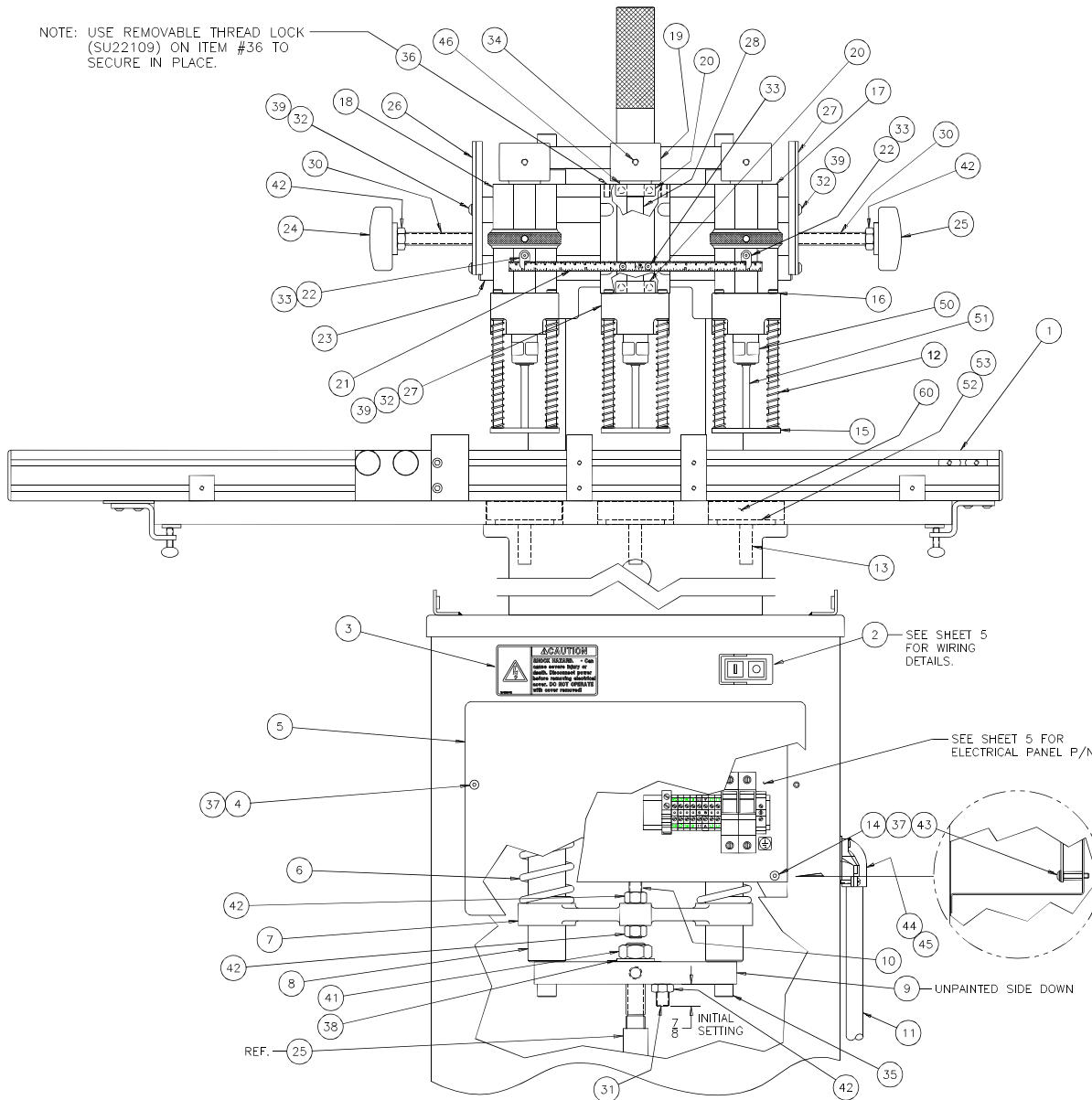


# 9.0 Parts Lists & Schematics

## 9.1 Main Assembly – Front View – A-5846-10 Sh't. 1 of 5 Rev. A

S/N 085279 to 105487

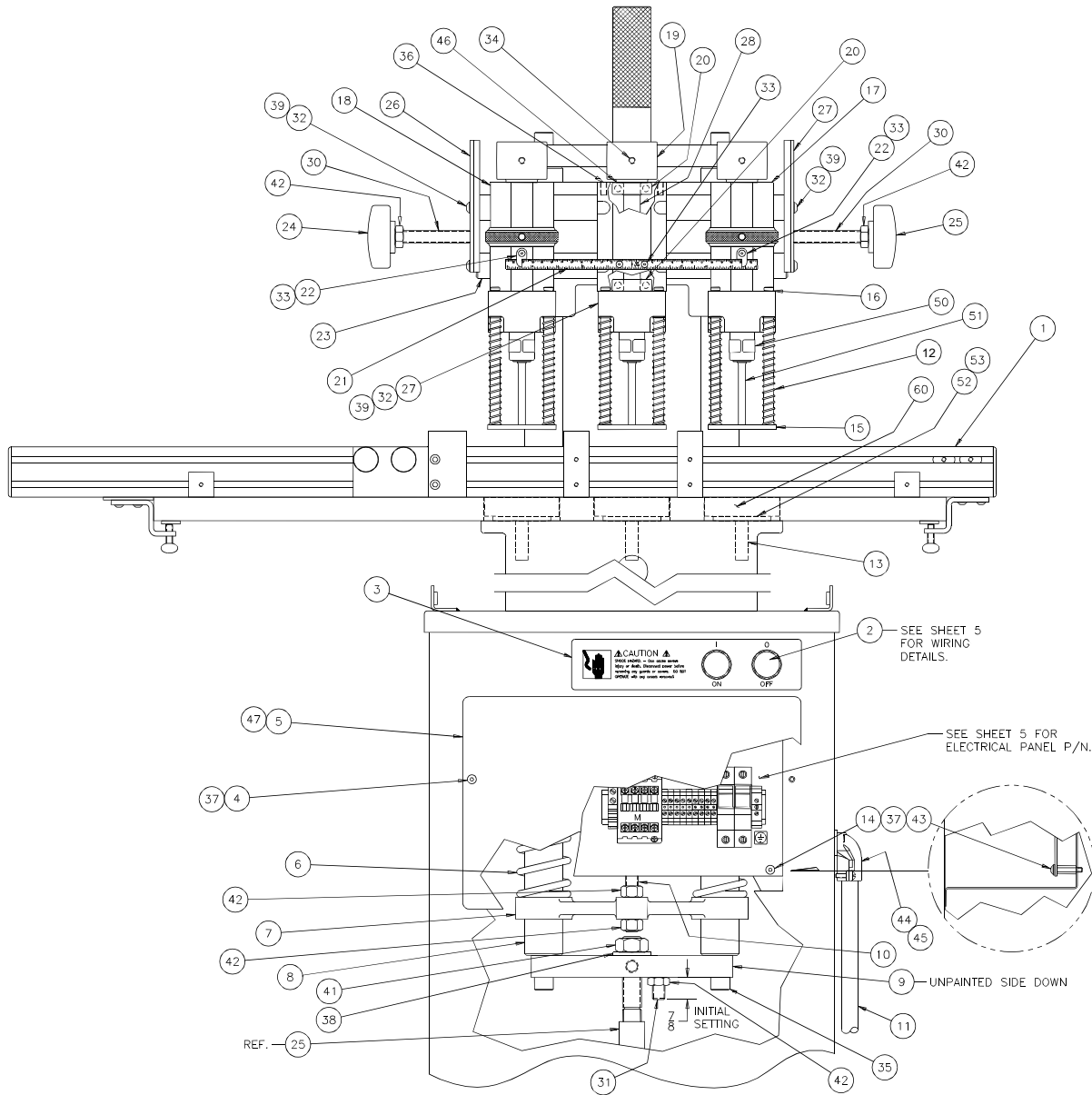


## Main Assembly – Front View, Parts list

NO.	PART NO.	DESCRIPTION OF ACCESSORIES	QTY
1	5700	BACKGAUGE ASM.	1
2	E-3255	SWITCH – ELECTROMAGNETIC ON/OFF	1
3	S-1781-11	LABEL – SHOCK HAZARD, COVER REMOVAL	1
4	S-1864-2	CAPTIVE RETAINING DEVICE	2
5	K-480-3	FRONT GRILL	1
6	K-250-8	SPRING	2
7	K-249	LIFT SPRING BRACKET	1
8	KK-440-16	GUIDE BAR ASM	2
9	K-836-4	GUIDE ROD BRACKET	1
10	K-251-3	ROD – LIFT SPRING	1
11	EE-2889	CABLE ASSEMBLY – POWER	1
12	4629-1	SPRING – PRESSURE FOOT	6
13	KK-281-2	CUT STICK KNOCK OUT	3
14	E-1152-61	STANDOFF – 3/4"	4
15	A-4626-7	PRESSURE FOOT ASM.	3
16	S-1518-37	RETAINING RING	6
17	<b>A-5847-1-6R</b>	SPINDLE BLOCK ASM. – R.H.	1
18	<b>A-5862-1-6R</b>	SPINDLE BLOCK ASM. – L.H.	1
19	4693-1	PULLEY	1
20	S-706	BEARING	2
21	5859	SCALE – SPINDLE LOCATION	1
22	5858	INDICATOR	2
23	5856	SHAFT – SPINDLE BLOCK GUIDE	2
24	5710	ADJ. SCREW KNOB	2
25	16541-2	HYDRAULIC POWER UNIT ASM.	REF.
26	5716-2	GUARD – L.H.	1
27	5717-2	GUARD – R.H.	1
28	K-16-4	SPINDLE	1
29	K-57-19	CHIP CHUTE – CENTER	1
30	5711	ADJ. SCREW	2
31	H-6953-828	SCREW – 1/2-13 X 1-3/4 OVAL PT. SOC SET	1
32	H-6910-406	SCREW – 1/4-20 X 3/4 BUT. HD. CAP	6
33	H-6910-63203	SCREW – #6-32 X 3/8 BUT. HD. CAP	4
34	H-6938-408	SCREW – 1/4-20 X 3/8 SET	1
35	H-6918-814	SCREW – 1/2-13 X 1-3/4 SOC. CAP	2
36	H-6938-404	SCREW – 1/4-20 X 1/4 SOC. SET	4
37	H-6910-102403	SCREW – #10-24 X 3/8 BUT. HD. CAP	6
38	H-7321-12	WASHER – 3/4 USS FLAT	1
39	H-7327-8	WASHER – 1/4 MEDIUM LOCK	4
40	H-7327-16	WASHER – 1/2 MEDIUM LOCK	4
41	H-5239-12	NUT – 3/4 LIGHT FLEX LOCK	1
42	H-6424-8	NUT – 1/2 HEX JAM	5
43	H-7324-#10	WASHER – #10 INT. TOOTH	4
44	E-519	NUT – 1/2 CONDUIT LOCK	1
45	S-887	CONNECTOR – CABLE STRAIN RELIEF	1
46	H-7321-10	WASHER – 5/8 FLAT	1

# 9.2 Main Assembly – Front View – A-5846-10 Sh't. 1 of 5 Rev. D

S/N 105488 and Up

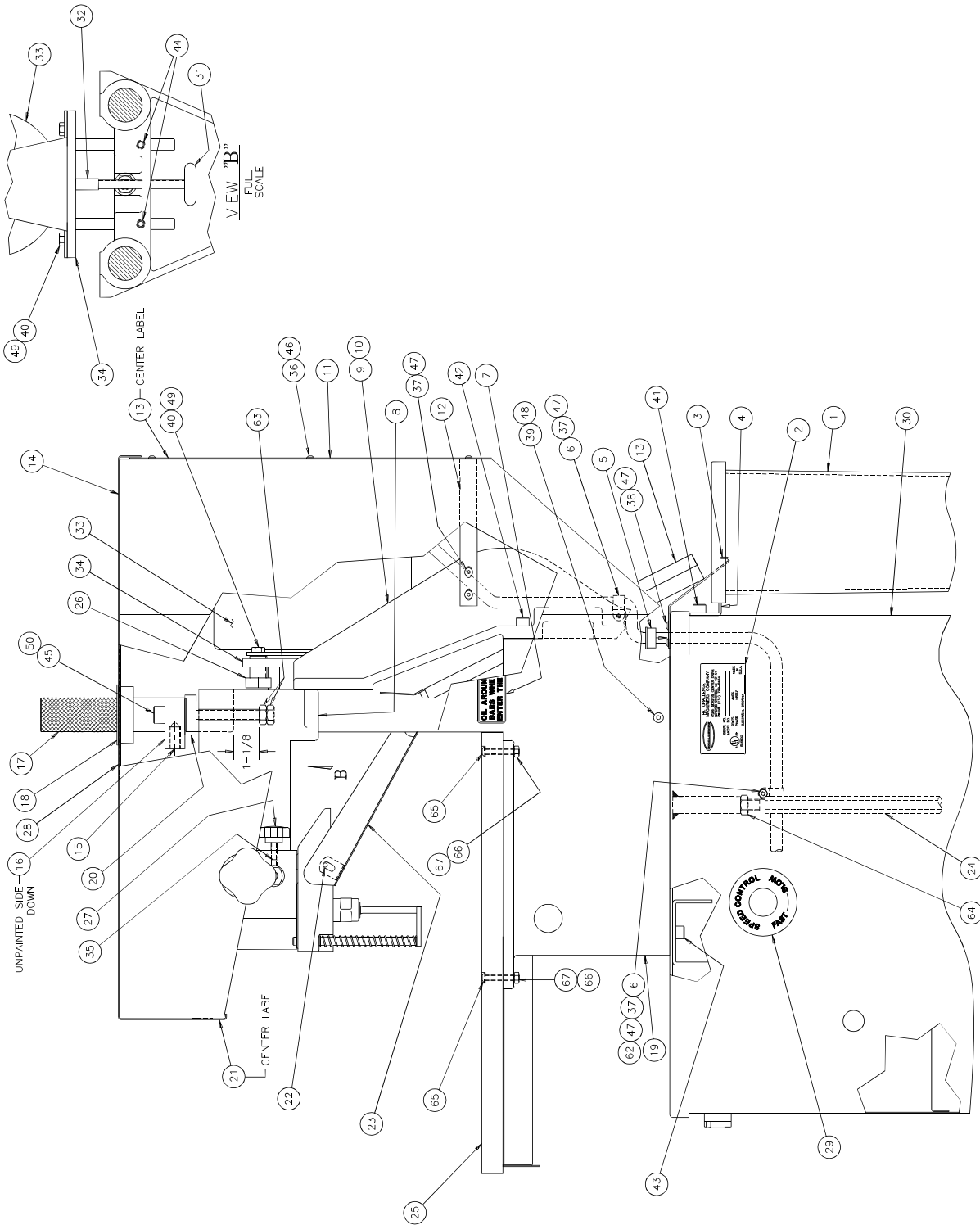


## Main Assembly – Front View, Parts list rev. “D”

NO.	PART NO.	DESCRIPTION OF ACCESSORIES	QTY
1	5700	BACKGAUGE ASM.	1
2	E-3073-( )	SWITCH - START AND STOP	REF.
3	5712	LABEL - SHOCK HAZARD, COVER REM., ON/OFF	1
4	S-1864-2	CAPTIVE RETAINING DEVICE	2
5	K-480-3	FRONT GRILL	1
6	K-250-8	SPRING	2
7	K-249	LIFT SPRING BRACKET	1
8	KK-440-16	GUIDE BAR ASM	2
9	K-836-4	GUIDE ROD BRACKET	1
10	K-251-3	ROD - LIFT SPRING	1
11	EE-2889	CABLE ASSEMBLY - POWER	1
12	4629-1	SPRING - PRESSURE FOOT	6
13	KK-281-2	CUT STICK KNOCK OUT (S/N: 125781 & UP)	3
	KK-281-5	CUT STICK KNOCK OUT (S/N: 125780 & BELOW)	
14	E-1152-61	STANDOFF - 3/4"	4
15	A-4626-7	PRESSURE FOOT ASM.	3
16	S-1518-37	RETAINING RING	6
17	A-5847-1-6R	SPINDLE BLOCK ASM. - R.H.	1
18	A-5862-1-6R	SPINDLE BLOCK ASM. - L.H.	1
19	4693-1	PULLEY	1
20	S-706	BEARING	2
21	5859	SCALE - SPINDLE LOCATION	1
22	5858	INDICATOR	2
23	5856	SHAFT - SPINDLE BLOCK GUIDE	2
24	5710	ADJ. SCREW KNOB	2
25	16541-2	HYDRAULIC POWER UNIT ASM.	REF.
26	5716-2	GUARD - L.H.	1
27	5717-2	GUARD - R.H.	1
28	K-16-4	SPINDLE	1
29	K-57-19	CHIP CHUTE - CENTER	1
30	5711	ADJ. SCREW	2
31	H-6953-828	SCREW - 1/2-13 X 1-3/4 OVAL PT. SOC SET	1
32	H-6910-406	SCREW - 1/4-20 X 3/4 BUT. HD. CAP	6
33	H-6910-63203	SCREW - #6-32 X 3/8 BUT. HD. CAP	4
34	H-6938-408	SCREW - 1/4-20 X 3/8 SET	1
35	H-6918-814	SCREW - 1/2-13 X 1-3/4 SOC. CAP	2
36	H-6938-404	SCREW - 1/4-20 X 1/4 SOC. SET	4
37	H-6910-102403	SCREW - #10-24 X 3/8 BUT. HD. CAP	6
38	H-7321-12	WASHER - 3/4 USS FLAT	1
39	H-7327-8	WASHER - 1/4 MEDIUM LOCK	4
40	H-7327-16	WASHER - 1/2 MEDIUM LOCK	4
41	H-5239-12	NUT - 3/4 LIGHT FLEX LOCK	1
42	H-6424-8	NUT - 1/2 HEX JAM	5
43	H-7324-#10	WASHER - #10 INT. TOOTH	4
44	E-519	NUT - 1/2 CONDUIT LOCK	1
45	S-887	CONNECTOR - CABLE STRAIN RELIEF	1
46	H-7321-10	WASHER - 5/8 FLAT	1
47	S-1781-188	LABEL - POWER CONNECTION PROCEDURE	1
50	K-85	COVER - DRIFT HOLE	3
51	CD-4-2-1/2	DRILL - 1/4" X 2-1/2	3
	CD-5-2-1/2	DRILL - 5/16" X 2-1/2	3
52	5841	SHIM - 26 GAGE	3
53	5841-1	SHIM - 20 GAGE	3
54	4687	DRILL DRIFT (NOT SHOWN)	1
55	4688	DRILL EASE STICK (NOT SHOWN)	1
56	S-1615	CORK - FOR DRILL CLEANER (NOT SHOWN)	1
57	W-130	3/16" HEX ALLEN WRENCH (NOT SHOWN)	1
58	W-137	5/32" HEX ALLEN WRENCH (NOT SHOWN)	1
59	W-141	1/8" HEX ALLEN WRENCH (NOT SHOWN)	1
60	KK-473-3	1 DOZEN WOOD DRILL BLOCKS	1
61	A-4950-2	DRILL SHARPENER/CHIP REMOVER (NOT SHOWN)	1

### 9.3 Main Assembly – Upper Right View – A-5846-10 Sh't. 2 of 5 Rev. A

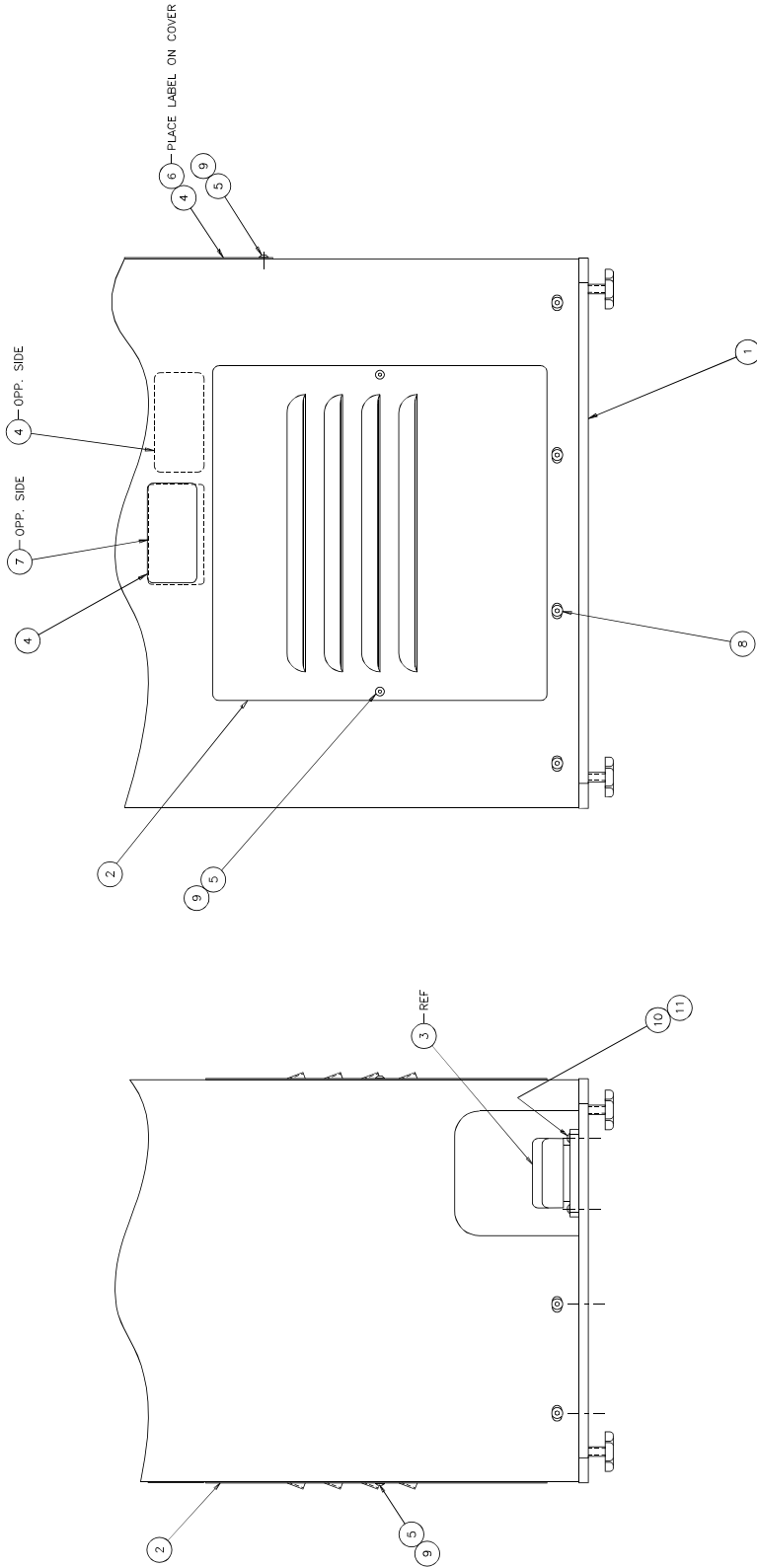
REV "C"



**Main Assembly – Upper Right View, Parts List REV. "C"**

NO.	PART NO.	DESCRIPTION OF ACCESSORIES	QTY
1	5739	WASTE BIN	1
2	41130	SERIAL PLATE	1
3	5886	HINGE	1
4	5870	HOOK - CHIP BAG	2
5	E-1172-4	SNAP IN BUSHING	1
6	E-968-4	CLAMP - 3/8" CABLE	3
7	S-1880	LABEL - OIL	2
8	K-2-24	SPINDLE BRACKET	1
9	K-478-3	BRACE - R.H. GUIDE	1
10	K-479-4	BRACE - L.H. GUIDE	1
11	5725	BACK COVER	1
12	5733	HOOD SUPPORT	1
13	S-1781-16	LABLE - CAUTION	2
14	5720-3	HOOD ASM.	1
15	S-2021	SPRING PLUNGER	1
16	K-836-4	GUIDE ROD BRACKET	1
17	K-780-2	SPINDLE ADJ. ROD	1
18	E-1172-11	SNAP IN BUSHING	1
19	K-1-33	FRAME	1
20	S-1818-2	THREADED COLLAR	1
21	5729-1	LABEL - FRONT PANEL	1
22	H-21S-187-0500	PIN - 3/16 X 1/2 ROLL	2
23	A-5878-1	CHIP CHUTE SWING ASM.	1
24	5715	JACK SCREW	1
25	5734	TABLE ASM.	1
26	5738	ADJUSTING SCREW	2
27	S-1602	KNOB - SPINDLE LOCK	2
28	S-1781-86	LABEL - DRILL DEPTH ADJ.	1
29	S-1684	LABEL - SPEED CONTROL	1
30	KK-289-34	STAND ASM.	1
31	AA-6098	BELT ADJ. ASM.	1
32	16075	SPACER - MOTOR BELT ADJ.	1
33	E-1600-69	MOTOR - SPINDLE, 60 HZ	1
	E-1600-70	MOTOR - SPINDLE, 50 HZ	
34	KK-265-4	MOTOR BRACKET ASM.	1
35	5857	PLUG	2
36	H-6910-83204	SCREW - #8-32 X 1/2 BUT. HD. CAP	8
37	H-6910-102404	SCREW - #10-24 X 1/2 BUT. HD. CAP	6
38	H-6910-102403	SCREW - #10-24 X 3/8 BUT. HD. CAP	1
39	H-6910-404	SCREW - 1/4-20 X 1/2 BUT. HD. CAP	4
40	H-6913-504	SCREW - 5/16-18 X 1/2 HEX HD. CAP	4
41	H-6918-606	SCREW - 3/8-16 X 3/4 SOC. HD. CAP	2
42	H-6918-610	SCREW - 3/8-16 X 1-1/4 SOC. HD. CAP	4
43	H-6918-608	SCREW - 3/8-16 X 1" SOC. HD. CAP	4
44	H-6951-612	SCREW - 3/8-16 X 3/4 NYLOC SOC. SET	2
45	H-6918-814	SCREW - 1/2-13 X 1-3/4 SOC. HD. CAP	2
46	H-7324-#8	WASHER - #8 INT. TOOTH	8
47	H-7324-#10	WASHER - #10 INT. TOOTH	6
48	H-7324-8	WASHER - 1/4 INT. TOOTH	4
49	H-7322-5	WASHER - 5/16" PLAIN	4
50	H-7327-16	WASHER - 1/2 MED. LOCK	2
52	H-6423-#10	NUT - #10-24 HEX	1
53	H-6433-8	NUT - 1/2-13 HEX JAM, L.H. THREAD	2
54	H-6424-8	NUT - 1/2-13 HEX JAM	1
55	H-6910-416	SCREW - 1/4-20 X 2" BUTTON HD.	REF
56	H-7324-8	WASHER - 1/4 INT. TOOTH	REF
57	H-6423-4	NUT - 1/4-20 HEX	REF

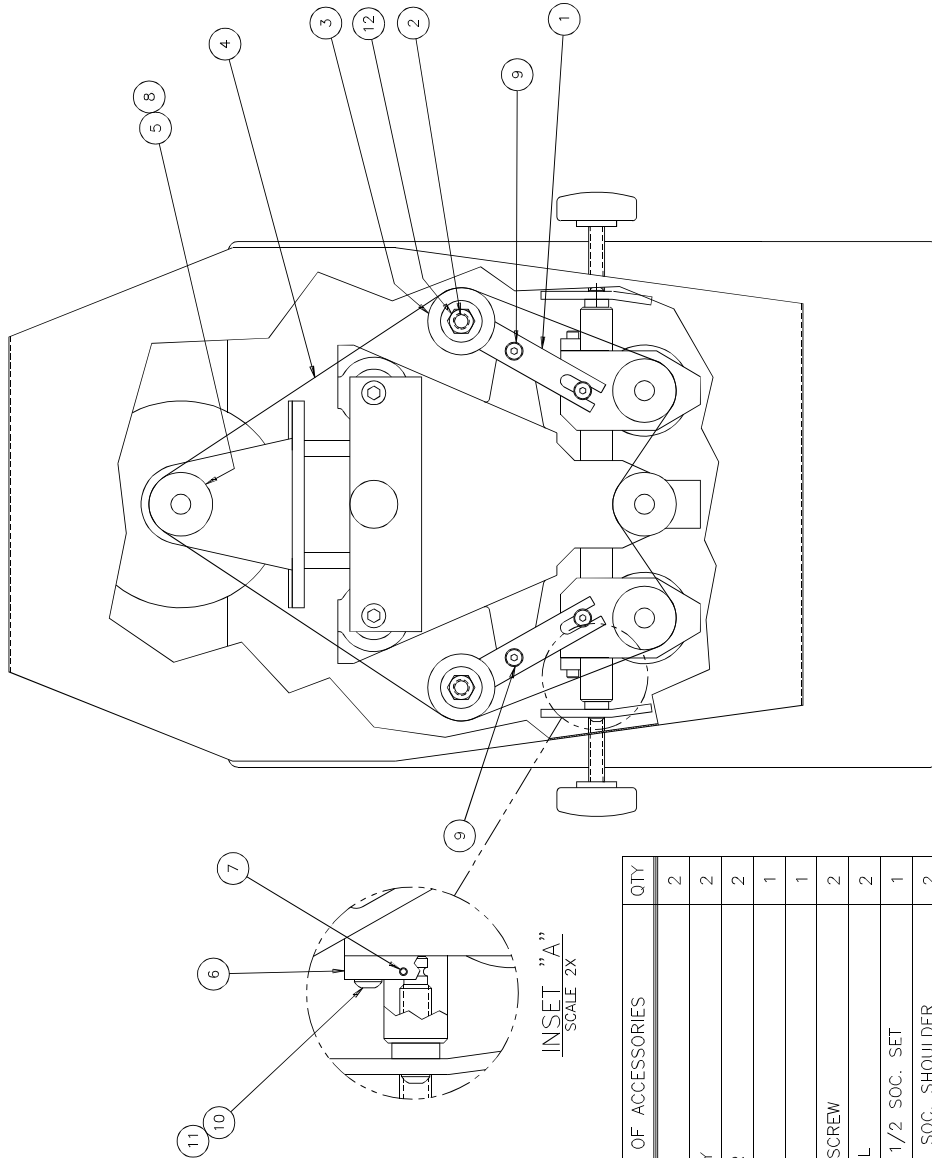
9.4 Main Assembly – Lower Right View – A-5846-10 Sh't. 3 of 5 Rev. A



NO.	PART NO.	DESCRIPTION OF ACCESSORIES	QTY
1	16541-3	HYD. POWER UNIT ASM	1
2	K-480-2	COVER - SIDES	2
3	EE-3259	FOOTSWITCH ASSEMBLY - FROM POWER PANEL	REF
4	S-1781-16	LABEL - CAUTION	3
5	S-1864-2	CAPTIVE RETAINING DEVICE	6
6	K-480-3	COVER	1
7	S-1842	LABEL - HYD. FLUID	1
8	H-6894-405	SCREW - 1/4-20 X 5/8 WHIZ LOCK	14
9	H-6910-102403	SCREW - #10-24 X 3/8 BUT. HD. SOC.	6
10	H-6910-102406	SCREW - #10-24 X 3/4 BUT. HD. SOC.	2
11	H-7324-#10	WASHER - #10 INT. TOOTHLOCK	2
12			

### 9.5 Main Assembly – Top View – A-5846-10 Sh't. 4 of 5 Rev. A

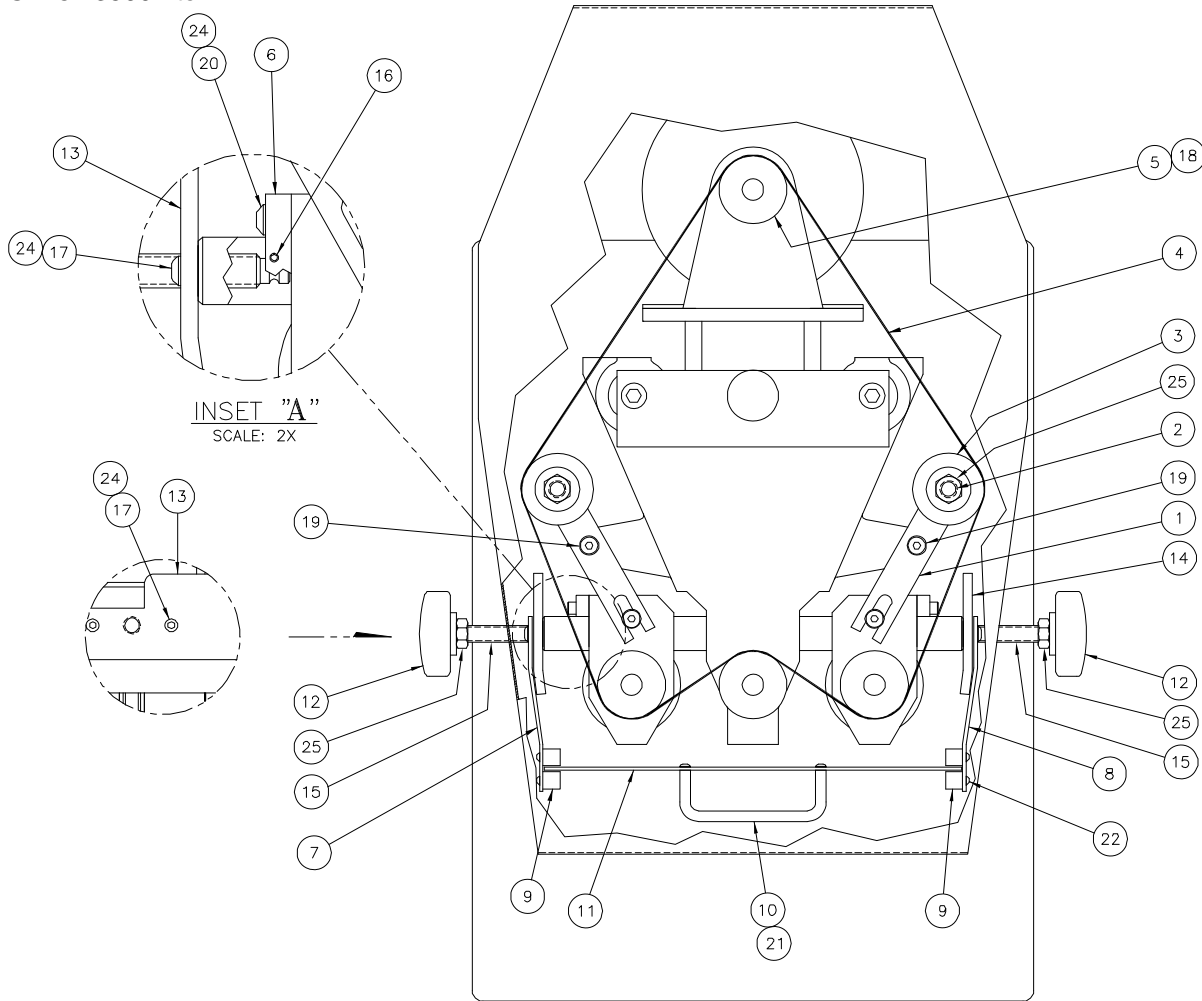
S/N's 085279 to 135900



NO.	PART NO.	DESCRIPTION OF ACCESSORIES	QTY
1	5861-1	ARM - IDLER PULLEY	2
2	5889	STUD - IDLER PULLEY	2
3	A-5887-1	PULLEY ASM. - IDLER	2
4	S-1661-1	BELT - FLAT	1
5	S-694-4	PULLEY - MOTOR	1
6	5852	BLOCK - ADJUSTING SCREW	2
7	H-21S-125-1000	PIN - 1/8 X 1" ROLL	2
8	H-6938-408	SCREW - 1/4-20 X 1/2 SOC. SET	1
9	H-5254-604	SCREW - 3/8 X 1/2 SOC. SHOULDER	2
10	H-6910-406	SCREW - 1/4-20 X 3/4 BUT. HD.	4
11	H-7327-8	WASHER - 1/4 MEDIUM LOCK	4
12	H-6424-8	NUT - 1/2-13 HEX JAM	2

### 9.6 Main Assembly – Top View – A-5846-10 Sh't. 4 of 5 Rev. B

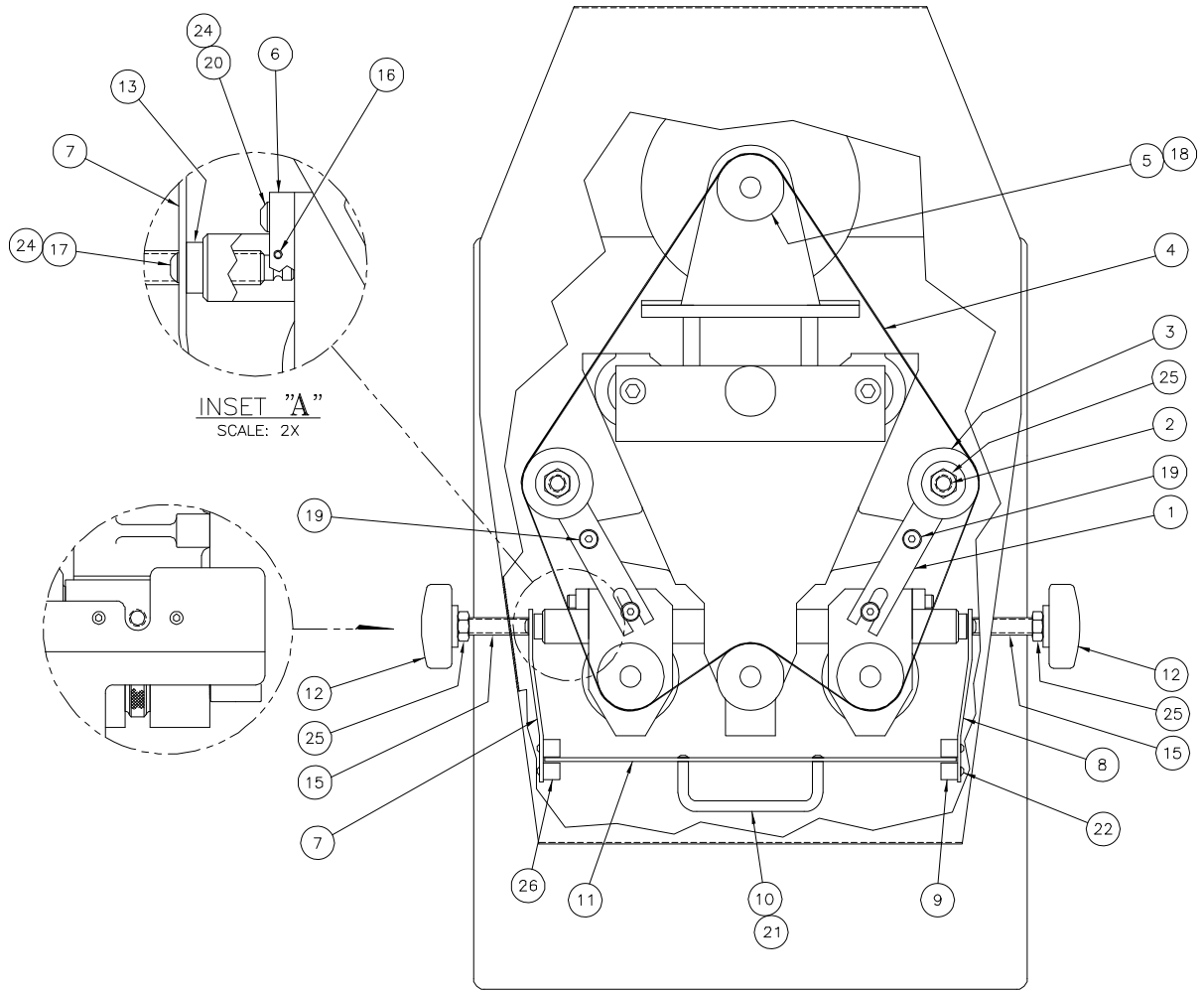
S/N's 135901 to 14xxxx



NO.	PART NO.	DESCRIPTION OF ACCESSORIES	QTY
1	5861-1	ARM - IDLER PULLEY	2
2	5889	STUD - IDLER PULLEY	2
3	A-5887-1	PULLEY ASM. - IDLER	2
4	S-1661-1	BELT - FLAT	1
5	S-694-4	PULLEY - MOTOR	1
6	5852	BLOCK - ADJUSTING SCREW	2
7	48001-1	BRACKET - SHIELD, L.H.	1
8	48001-2	BRACKET - SHIELD, R.H.	1
9	48002-1	GUIDE - SHIELD	4
10	13940	HANDLE	1
11	48003-1	SHIELD	1
12	5710	ADJ. SCREW KNOB	2
13	5716-2	GUARD - LH	1
14	5717-2	GUARD - RH	1
15	5711	ADJ. SCREW	2
16	H-21S-125-1000	PIN - 1/8 X 1" ROLL	2
17	H-6910-406	SCREW - 1/4-20 X 3/4 BUT. HD. CAP	6
18	H-6938-408	SCREW - 1/4-20 X 1/2 SOC. SET	1
19	H-5254-604	SCREW - 3/8 X 1/2 SOC. SHOULDER	2
20	H-6910-406	SCREW - 1/4-20 X 3/4 BUT. HD.	4
21	H-6910-83202	#8-32 X 1/4 BUTTON HD CAP SCREW	2
22	S-1088-3	#6 X 3/8 PN HD S.M. SCREW	8
23			
24	H-7327-8	WASHER - 1/4 MEDIUM LOCK	8
25	H-6424-8	NUT - 1/2-13 HEX JAM	4

### 9.7 Main Assembly – Top View – A-5846-10 Sh't. 4 of 5 Rev. C

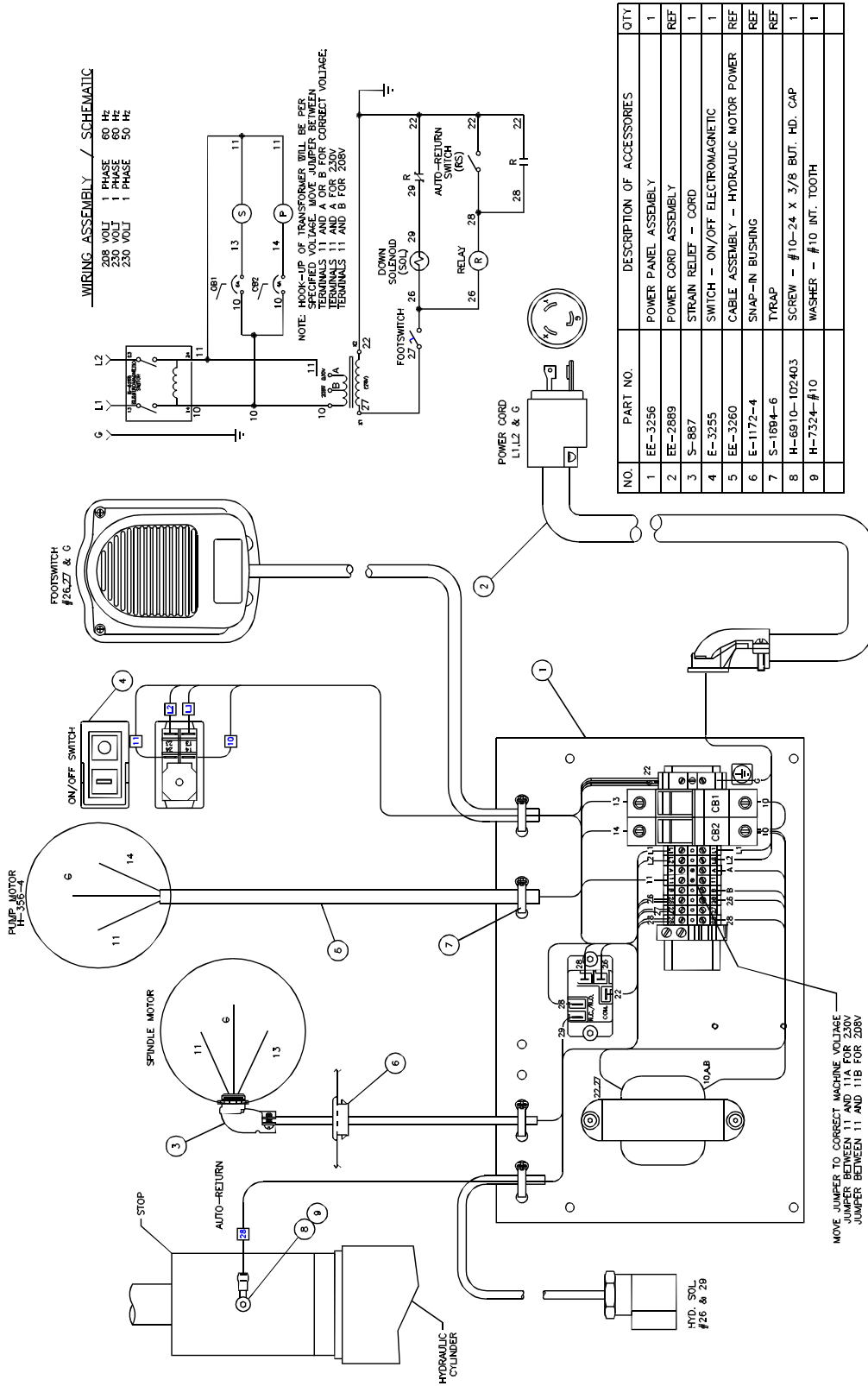
S/N's 14xxxx and Up (ECN 13N070)



NO.	PART NO.	DESCRIPTION OF ACCESSORIES	QTY
1	5861-1	ARM - IDLER PULLEY	2
2	5889	STUD - IDLER PULLEY	2
3	A-5887-1	PULLEY ASM. - IDLER	2
4	S-1661-1	BELT - FLAT	1
5	S-694-4	PULLEY - MOTOR	1
6	5852	BLOCK - ADJUSTING SCREW	2
7	48001-3	BRACKET - SHIELD, L.H.	1
8	48001-2	BRACKET - SHIELD, R.H.	1
9	48002-1	GUIDE - SHIELD	2
10	13940	HANDLE	1
11	48003-1	SHIELD	1
12	5710	ADJ. SCREW KNOB	2
13	5851	ADJ. SCREW PLATE	2
15	5711	ADJ. SCREW	2
16	H-21S-125-1000	PIN - 1/8 X 1" ROLL	2
17	H-6910-406	SCREW - 1/4-20 X 3/4 BUT. HD. CAP	6
18	H-6938-408	SCREW - 1/4-20 X 1/2 SOC. SET	1
19	H-5254-604	SCREW - 3/8 X 1/2 SOC. SHOULDER	2
20	H-6910-406	SCREW - 1/4-20 X 3/4 BUT. HD.	4
21	H-6910-83202	#8-32 X 1/4 BUTTON HD CAP SCREW	2
22	S-1088-3	#6 X 3/8 PN HD S.M. SCREW	8
24	H-7327-8	WASHER - 1/4 MEDIUM LOCK	8
25	H-6424-8	NUT - 1/2-13 HEX JAM	4
26	48002-2	LEFT GUIDE - SHIELD	2

# 9.8 Main Assembly – Wiring Detail – A-5846-10 Sh't. 5 of 5 Rev. A

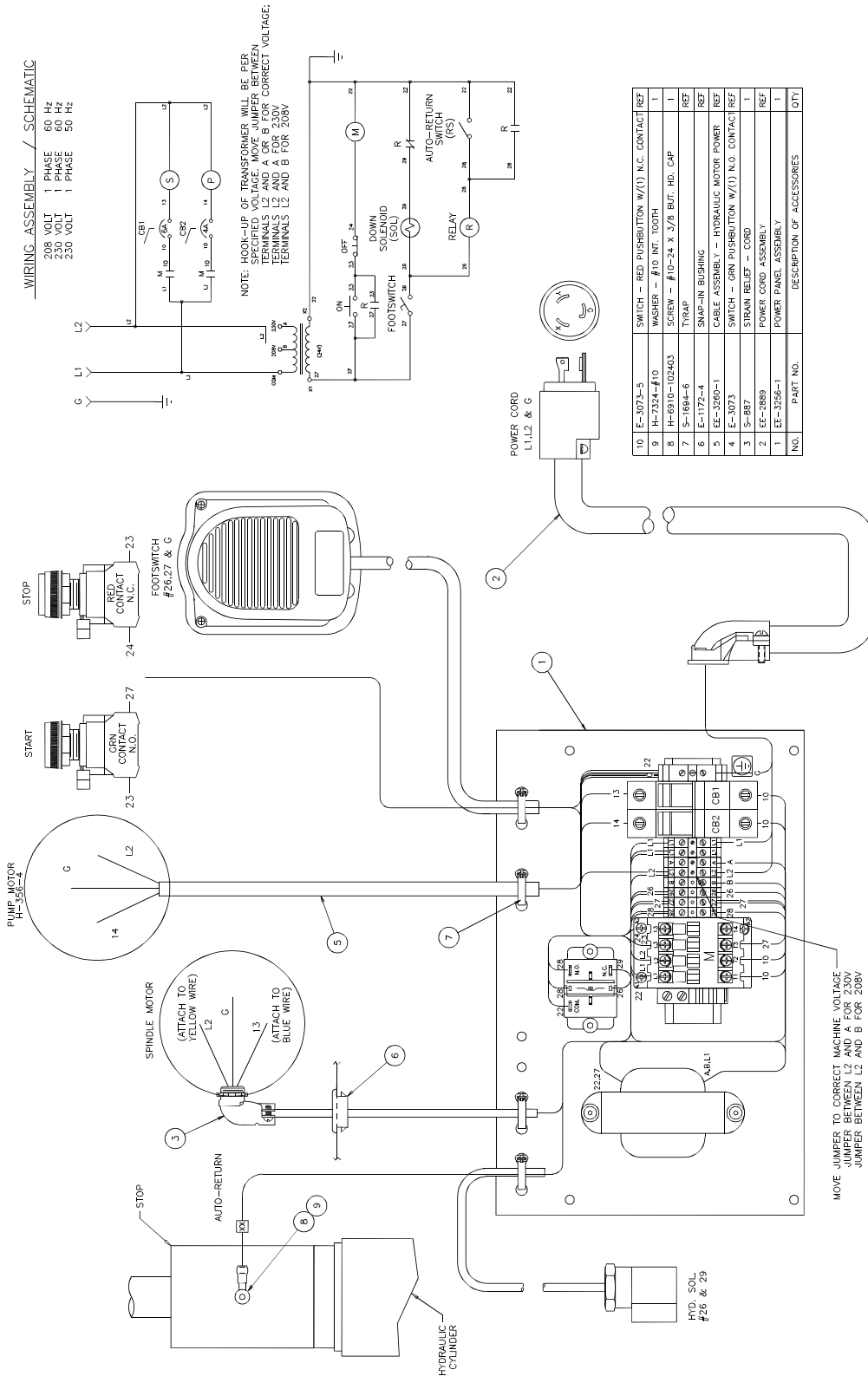
S/N 085279 to 105487



NO.	PART NO.	DESCRIPTION OF ACCESSORIES	QTY.
1	EE-3256	POWER PANEL ASSEMBLY	1
2	EE-2889	POWER CORD ASSEMBLY	REF
3	S-887	STRAIN RELIEF - CORD	1
4	E-3255	SWITCH - ON/OFF ELECTROMAGNETIC	1
5	EE-3260	CABLE ASSEMBLY - HYDRAULIC MOTOR POWER	REF
6	E-1172-4	SNAP-IN BUSHING	REF
7	S-1884-6	TYRAP	REF
8	H-8910-102403	SCREW - #10-24 X 3/8 BUT. HD. CAP	1
9	H-7324-#10	WASHER - #10 INT. TOOTH	1

# 9.9 Main Assembly – Wiring Detail – A-5846-10 Sh't. 5 of 5 Rev. B

S/N 105488 and Up





## Power Panel Assembly – Parts List – EE-3256 Rev. C

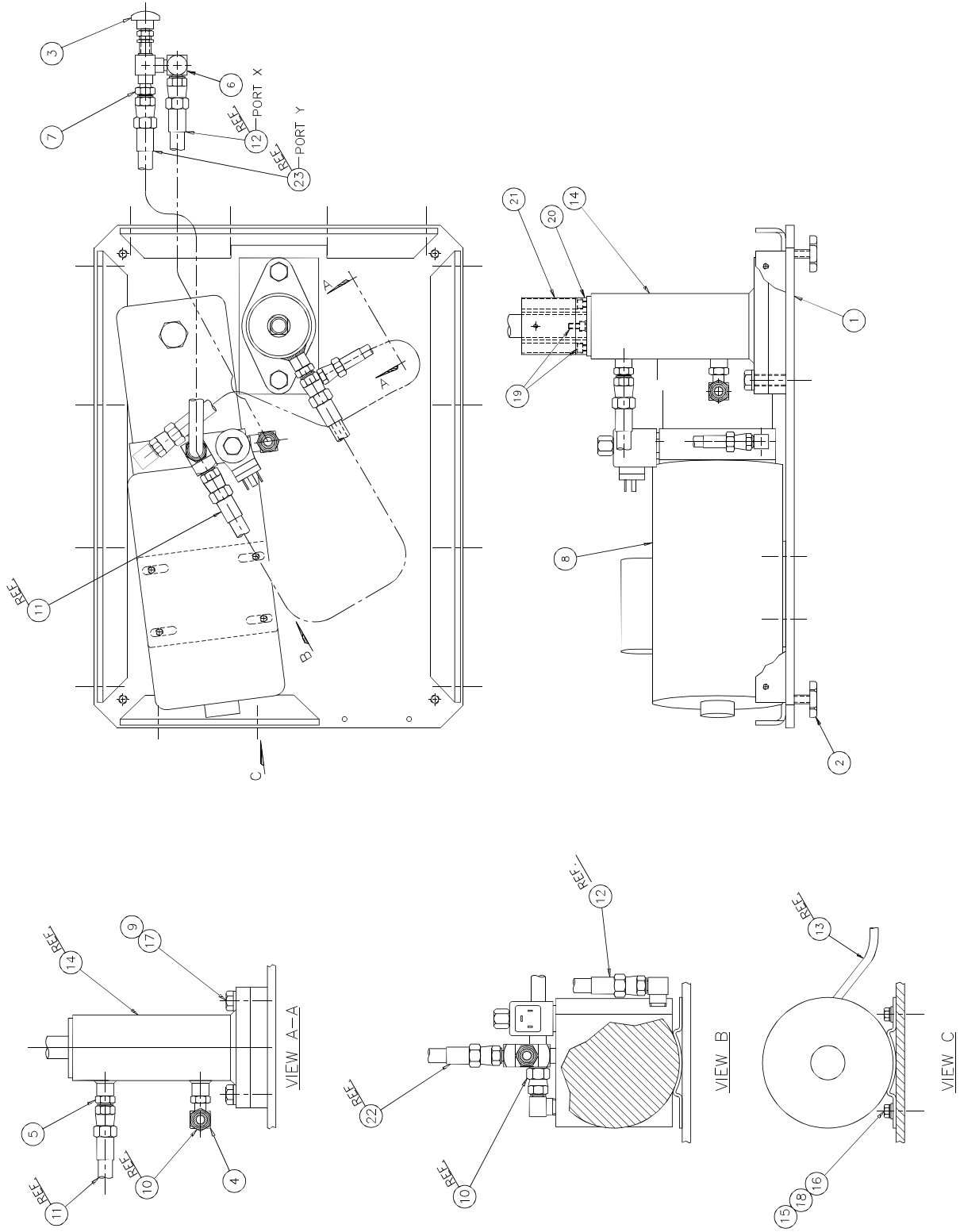
NO.	PART NO.	DESCRIPTION OF ACCESSORIES	QTY
1	E-3257	PANEL - ELECTRICAL	1
2	E-2232-1	RELAY	1
3	E-2742-13	TRANSFORMER, 50VA - 230V PRIM./24V SEC.	1
4	E-1977-23	MOUNTING RAIL - TERMINAL BLOCK 5" LONG	1
5	E-3264-7	CIRCUIT BREAKER - TRIP 6A (CB1)	1
6	E-3264-5	CIRCUIT BREAKER - TRIP 4A (CB2)	1
7	E-3255	SWITCH - ON/OFF ELECTROMAGNETIC	REF
8	E-2068-8	TERMINAL BLOCK - 10GA FEED THRU	8
9	E-2068-3	TERMINAL BLOCK - GROUNDING	1
10	E-2070-1	END BLOCK - TERMINAL BLOCK	1
11	E-2507-2	FIXED BRIDGE - 2 POLE	1
12	E-1356-()	MARKING STRIP - TERMINAL BLOCK	2
13	E-1214-51	CONNECTOR - 3/16 FULLY INS. Q.D.	2
14	E-1214-8	CONNECTOR - #10 INS. RING (16-22GA)	1
15	E-1214-49	CONNECTOR - 1/4" FULLY INS. Q.D. (16-14GA)	4
16	E-1214-65	CONNECTOR - 1/4" FULLY INS. Q.D. (18-22GA)	2
17	E-709-R	WIRE, #18 GA. RED MTW 82" TOTAL	1
18	E-849-R	WIRE, #16 GA. RED MTW 68" TOTAL	1
19	EE-2354-1	CABLE ASSEMBLY - SOLENOID	1
20	EE-3258	CABLE ASSEMBLY - SPINDLE MOTOR POWER	1
21	EE-3259	CABLE ASSEMBLY - FOOTSWITCH	1
22	S-1781-197	LABEL - GROUND SYMBOL, PRIMARY	1
23	S-1694	TYRAP (NOT SHOWN)	5
24	S-1694-6	TYRAP	4
25	H-6910-83203	SCREW, #8-32NC X 3/8" BUT HD CAP	2
26	H-7324-#8	WASHER, #8 INT. TOOTH	2
27	H-6910-102403	SCREW, #10-24NC X 3/8" BUT HD CAP	4
28	H-7324-#10	WASHER, #10 INT. TOOTH	4



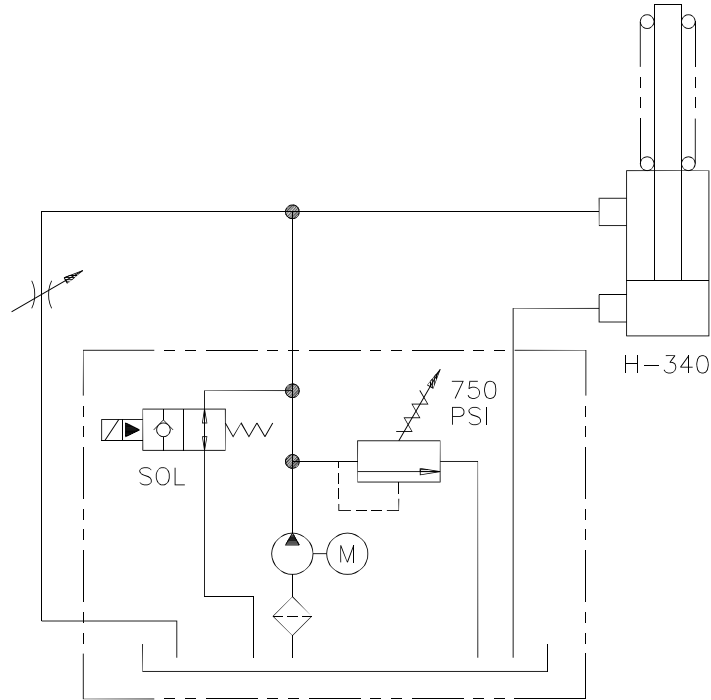
## Power Panel Assembly – Parts List – EE-3256-1 Rev. B

NO.	PART NO.	DESCRIPTION OF ACCESSORIES	QTY
1	E-3257	PANEL - ELECTRICAL	1
2	E-2232-1	RELAY	1
3	E-2742-13	TRANSFORMER, 50VA - 230V PRIM./24V SEC.	1
4	E-1977-18	MOUNTING RAIL - TERMINAL BLOCK 6-1/2" LONG	1
5	E-3264-7	CIRCUIT BREAKER - TRIP 6A (CB1)	1
6	E-3264-5	CIRCUIT BREAKER - TRIP 4A (CB2)	1
7	E-2805	STARTER - CONTACTOR	1
8	E-2068-8	TERMINAL BLOCK - 10GA FEED THRU	9
9	E-2068-3	TERMINAL BLOCK - GROUNDING	1
10	E-2070-1	END BLOCK - TERMINAL BLOCK	1
11	E-2507-2	FIXED BRIDGE - 2 POLE	2
12	E-1356-()	MARKING STRIP - TERMINAL BLOCK	2
13	E-1214-51	CONNECTOR - 3/16 FULLY INS. Q.D.	2
14	E-1214-8	CONNECTOR - #10 INS. RING (16-22GA)	1
15	E-1214-65	CONNECTOR - 1/4" FULLY INS. Q.D. (18-22GA)	2
16	E-3073	SWITCH - GRN PUSHBUTTON W/(1) N.O. CONTACT	1
17	E-709-R	WIRE, #18 GA. RED MTW 148" TOTAL	1
18	E-1213-B	WIRE, #10 GA. BLACK MTW 32" TOTAL	1
19	EE-2354-1	CABLE ASSEMBLY - SOLENOID	1
20	EE-3258-1	CABLE ASSEMBLY - SPINDLE MOTOR POWER	1
21	EE-3259	CABLE ASSEMBLY - FOOTSWITCH	1
22	S-1781-197	LABEL - GROUND SYMBOL, PRIMARY	1
23	S-1694	TYRAP (NOT SHOWN)	5
24	S-1694-6	TYRAP	4
25	H-6910-83203	SCREW, #8-32NC X 3/8" BUT HD CAP	2
26	H-7324-#8	WASHER, #8 INT. TOOTH	2
27	H-6910-102403	SCREW, #10-24NC X 3/8" BUT HD CAP	4
28	H-7324-#10	WASHER, #10 INT. TOOTH	4
29	E-3073-5	SWITCH - RED PUSHBUTTON W/(1) N.C. CONTACT	1
30	E-2864-1	SEPERATOR PLATE - TERMINAL BLOCK	1

### 9.12 Main Assembly – Hydraulic Power Unit – 16541-3 Rev. A



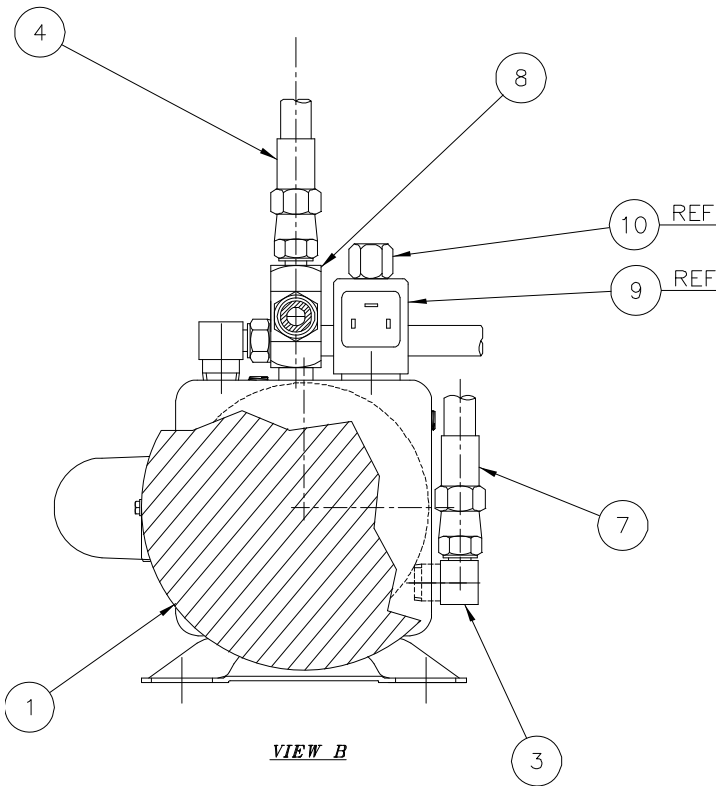
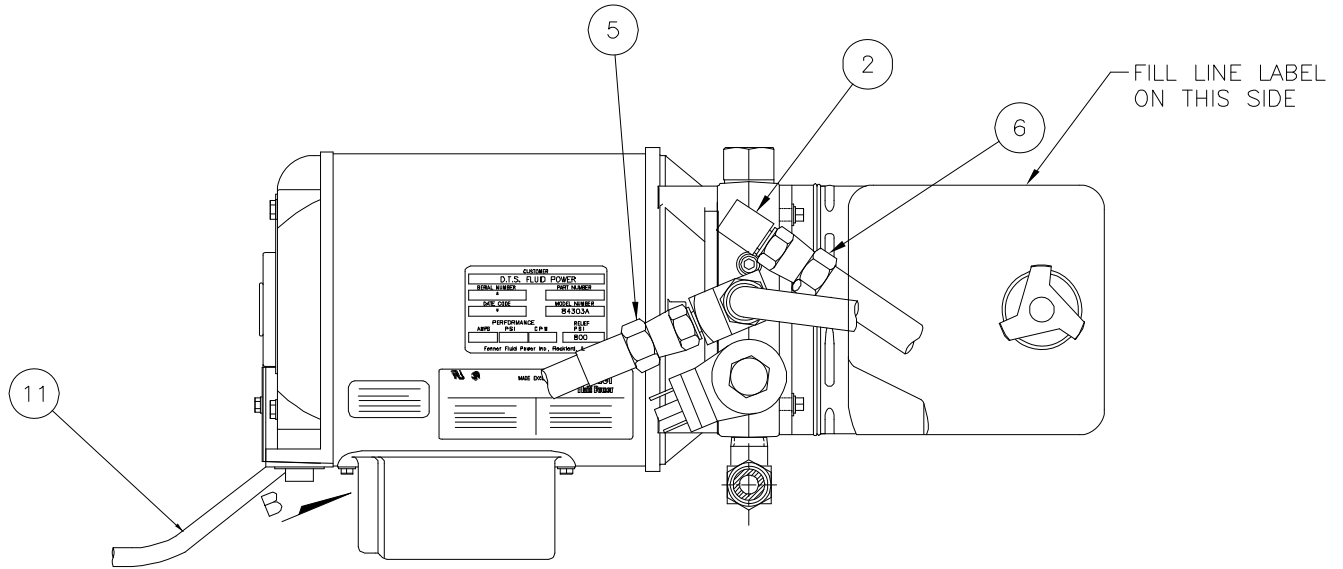
## Hydraulic Power Unit Assembly – Parts List/Hydraulic Schematic



HYDRAULIC SCHEMATIC

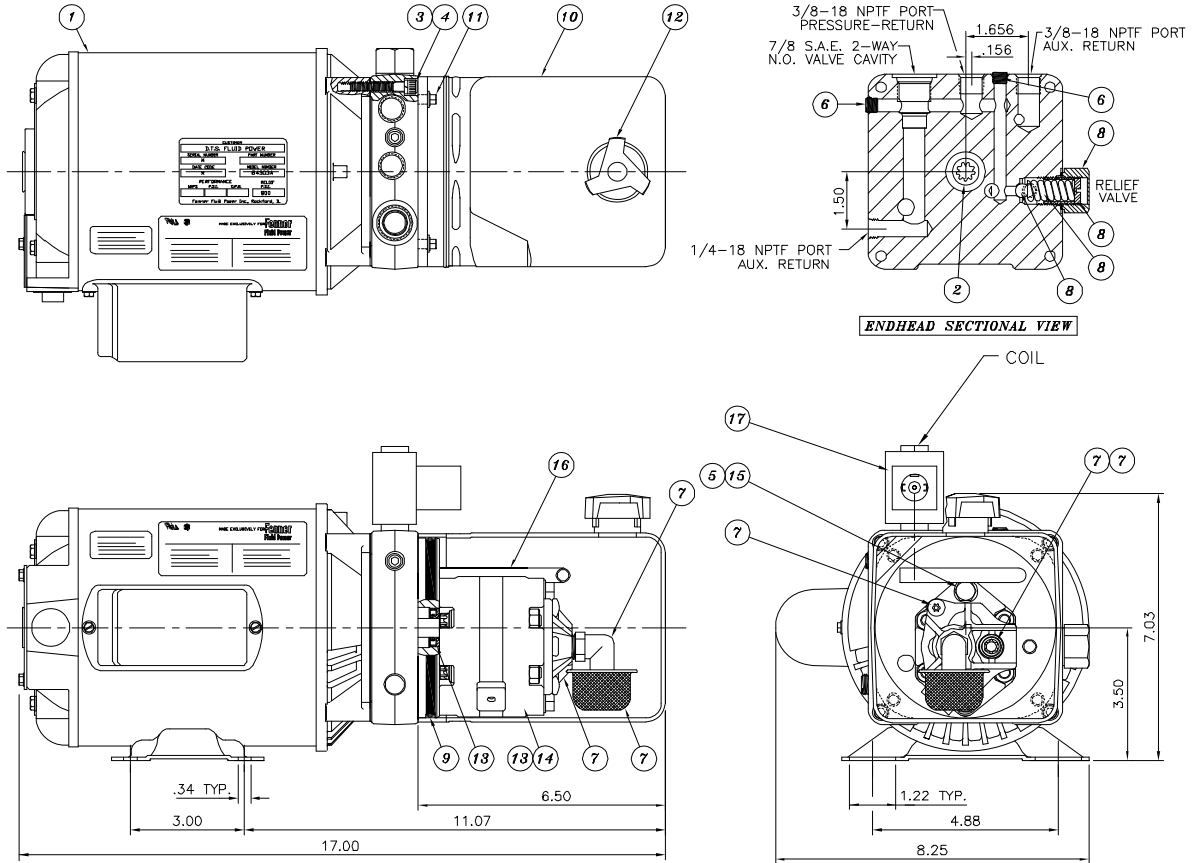
NO.	PART NO.	DESCRIPTION OF ACCESSORIES	QTY
1	16540-1	WELDMENT – POWER PACK BASE	1
2	16543	FOOT – BASE	4
3	4771-1	VALVE – NEEDLE	1
4	H-230-5	ELBOW – 7/16 O-RING TO 7/16 TUBE	1
5	H-236-5	ADAPTER – 7/16 O-RING TO 9/16 TUBE	1
6	H-237-5	ELBOW – 1/8 NPT TO 9/16 TUBE	1
7	H-241-5	ADAPTER – 1/8 NPT TO 9/16 TUBE	1
8	H-356-4	HYD. POWER UNIT – 115/208/230V 50/60C 1PH	1
9	H-7327-16	LOCKWASHER – 1/2 MEDIUM	2
10	H-242-32	HOSE ASSEMBLY – 18" LONG	REF.
11	H-242-2	HOSE ASSEMBLY – 15" LONG	REF.
12	H-242-42	HOSE ASSEMBLY – 30" LONG	REF.
13	EE-3260	CABLE ASSEMBLY – HYD. MOTOR	REF.
14	H-340	CYLINDER – HYDRAULIC	1
15	H-7327-10	LOCKWASHER – 5/16 MEDIUM	4
16	H-6913-505	SCREW – 5/16-18 X 5/8 HEX	4
17	H-6913-812	SCREW – 1/2-13 X 1-1/2 HEX	2
18	H-7321-5	WASHER – 5/16 PLAIN	4
19	H-6918-405	SCREW – 1/4-20 X 5/8 SOC. HD. CAP	4
20	5719	ISOLATOR	1
21	5718-1	STOP	1
22	H-242-41	HOSE ASSEMBLY – 25" LONG	REF.
23			

### 9.13 Hydraulic Power Unit Assembly – H-356-4 Rev. B



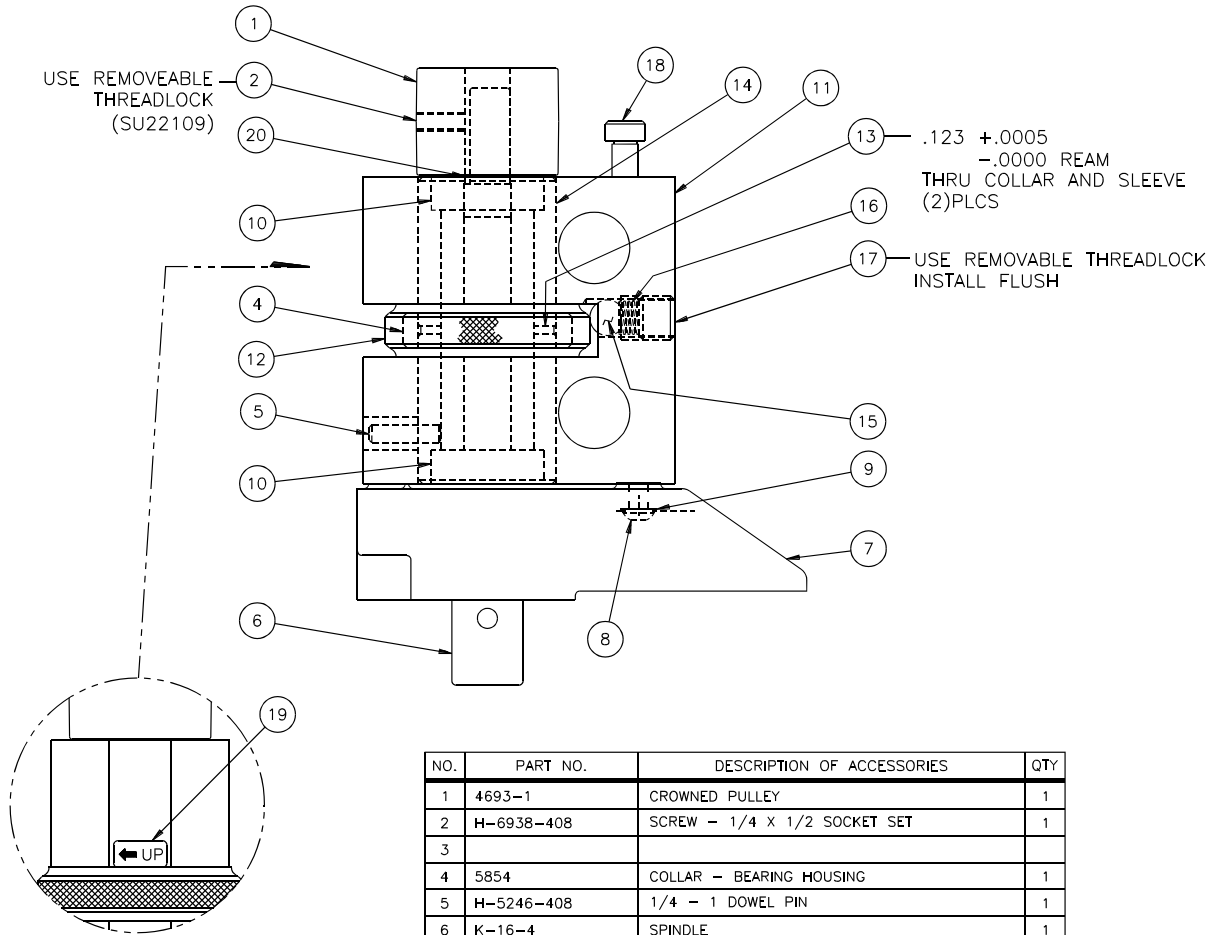
NO.	PART NO.	DESCRIPTION OF ACCESSORIES	QTY
1	H-372-5	HYD. POWER UNIT – 115/208/230V 50/60C 1PH	1
2	H-237-3	ELBOW – 3/8-18 NPT X 7/16-20 TUBE	1
3	H-237-4	ELBOW – 1/4 NPT X 9/16-18 TUBE	1
4	H-242-41	HOSE ASSEMBLY – 25" LONG	1
5	H-242-2	HOSE ASSEMBLY – 15" LONG	1
6	H-242-32	HOSE ASSEMBLY – 18" LONG	1
7	H-242-42	HOSE ASSEMBLY – 30" LONG	1
8	H-263-2	TEE – 3/8-18 NPT X 9/16-18 TUBE	1
9	E-1069-17	24 V. COIL	REF.
10	H-200-5	CARTRIDGE SOLENOID	REF.
11	EE-3260-1	CABLE ASM. – HYD. MOTOR POWER	1

### 9.14 Hydraulic Power Unit – H-372-5



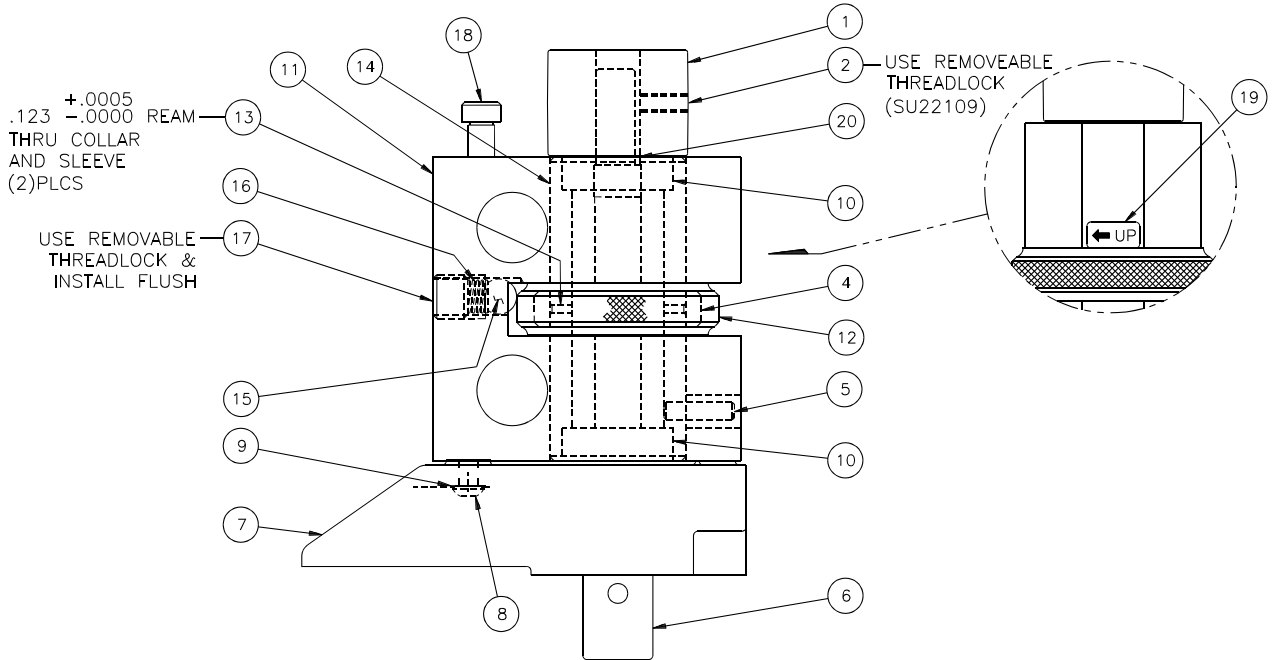
NO.	CMC P/N	DESCRIPTION OF ACCESSORIES	QTY
1	H-531	MOTOR AC 115/208-230	1
2	H-532	COUPLING	1
3	N/A	1/4 LOCKWASHER	4
4	N/A	M6x1.0 35MM SHCS	4
5	H-533	WASHER	2
6	H-534	PLUG 1/8 N.P.T.	2
7	H-535	INLET PLUMBING KIT	1
8	H-536	ADJ. RELIEF VALVE ASM.	1
9	H-537	RESERVOIR O-RING	1
10	H-538	RESERVOIR	1
11	H-539	RESERVOIR SCREW	4
12	H-540	BREATHER	1
13	H-541	PUMP O-RING KIT	1
14	H-542	PUMP ASSEMBLY	1
15	H-543	PUMP MOUNTING BOLT	2
16	H-544	3/8 RETURN TUBE	1
17	E-1069-17	24 V. COIL	1
18	H-200-5	CARTRIDGE-SOLENOID (N/S)	1
19	H-545	ADAPTER – DAYCO (NOT SHOWN)	1
20	H-546	TEE – DAYCO (NOT SHOWN)	1

9.15 R.H. Spindle Block Assembly A-5847-1-6R Rev. B



NO.	PART NO.	DESCRIPTION OF ACCESSORIES	QTY
1	4693-1	CROWNED PULLEY	1
2	H-6938-408	SCREW - 1/4 X 1/2 SOCKET SET	1
3			
4	5854	COLLAR - BEARING HOUSING	1
5	H-5246-408	1/4 - 1 DOWEL PIN	1
6	K-16-4	SPINDLE	1
7	5872-2	CHIP CHUTE RH	1
8	H-6910-406	1/4 X 3/4 BUT HD CAP SCREW	2
9	H-7327-8	1/4 MED LOCK WASHER	2
10	S-706	6693 BALL BEARING	2
11	5848-1-6	SPINDLE BLOCK RH	1
12	5855-1	ADJUSTMENT NUT	1
13	H-5254-204	1/8 X 1/2 DOWEL PIN	2
14	5853	SLEEVE - BEARING HOUSING	1
15	5737	1/2" DIA. STEEL BALL	1
16	35048-2	SPRING	1
17	H-6938-1004	SCREW - 5/8-11 X 1/2 SOC SET	1
18	H-5254-604	SCREW - 3/8 X 1/2 SHOULDER	1
19	S-1781-87	LABEL - DRILL DEPTH ADJ.	1
20	H-7321-10	WASHER - 5/8 FLAT	1

9.16 L.H. Spindle Block Assembly A-5862-1-6R Rev. B



NO.	PART NO.	DESCRIPTION OF ACCESSORIES	QTY
1	4693-1	CROWNED PULLEY	1
2	H-6938-408	SCREW - 1/4 X 1/2 SOCKET SET	1
3			
4	5854	COLLAR - BEARING HOUSING	1
5	H-5246-408	1/4 - 1 DOWEL PIN	1
6	K-16-4	SPINDLE	1
7	5873-2	CHIP CHUTE LH	1
8	H-6910-406	1/4 X 3/4 BUT HD CAP SCREW	2
9	H-7327-8	1/4 MED LOCK WASHER	2
10	S-706	6693 BALL BEARING	2
11	5863-1-6	SPINDLE BLOCK LH	1
12	5855-1	ADJUSTMENT NUT	1
13	H-5246-204	1/8 X 1/2 DOWEL PIN	2
14	5853	SLEEVE - BEARING HOUSING	1
15	5737	1/2" DIA. STEEL BALL	1
16	35048-2	SPRING	1
17	H-6938-1004	SCREW - 5/8-11 X 1/2 SOC SET	1
18	H-5254-604	SCREW - 3/8 X 1/2 SHOULDER	1
19	S-1781-87	LABEL - DRILL DEPTH ADJ.	1
20	H-7321-10	WASHER - 5/8 FLAT	1