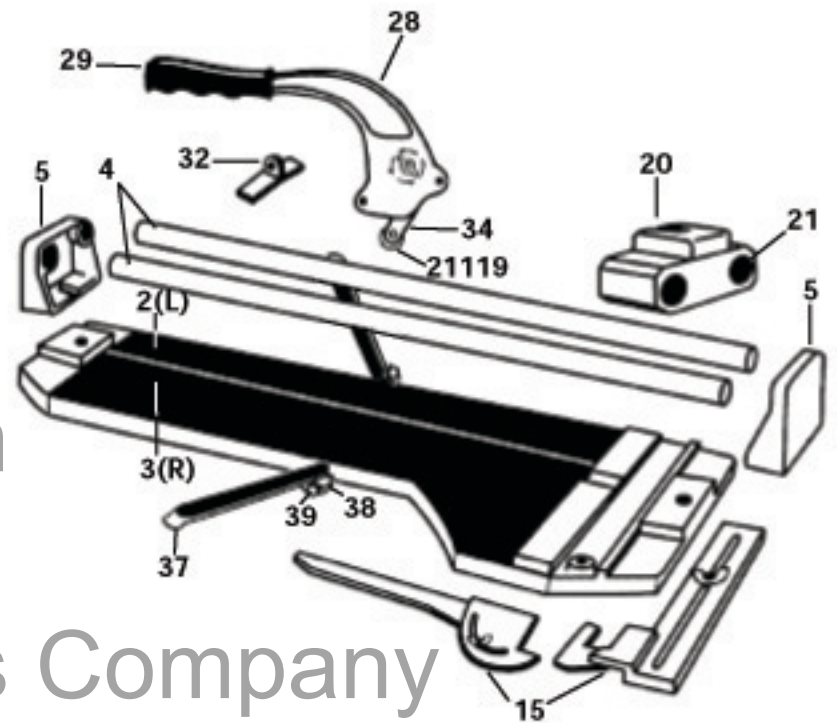




No. 10520 20" Big Clinker Tile Cutter

ORDER NO. DESCRIPTION

10520*	Box
10520-2/3	Replacement Pads (2)
10520-4	Rail Bars (2)
10520-5	End Bracket
10520-15	Guide (Complete)
10520-20	Slide Assembly
10520-21	Slide Assembly Bearings
10520-28	Handle
10520-29	Grip
10520-32	Breaker Bar
10520-34	Holder for Ball Bearing Wheel
10520-36	Handle Complete with Holder for Ball Bearing Wheel, Breaker Bar, & Slide Assembly with Bearings (20, 21, 28, 32, 34)
10520-37	12" Aluminum Arm (2)
10520-38	Aluminium Connector & Hardware
10520-39	White Round Head Screw
21119	7/8" Tungsten Carbide Ball Bearing Cutting Wheel



QEPParts.com
 888-634-4289
 An iBuy Stores Company