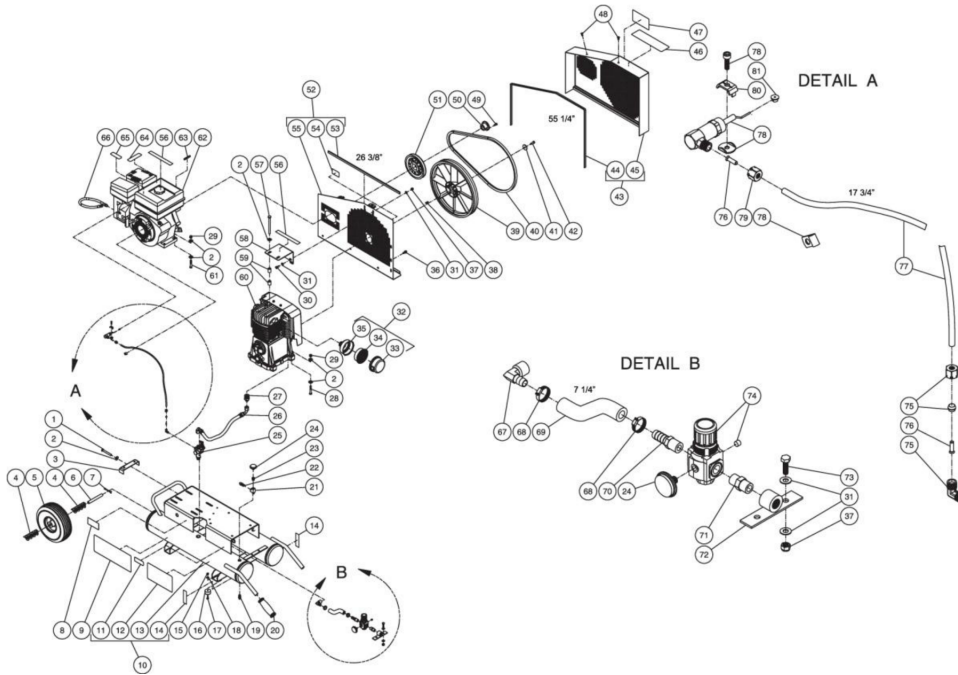




AC2-PR09-08M / AC2-PR09-08M (sn:20024260-99999999)

TANK ASSEMBLY



Id	Item #	Description	Quantity	Rev	Comments
1	27-0576	BOLT	1		
2	28-0023	FLATWASHER	19		
3	20-0650A01	BELT TENSIONER PLATE	1		
4	28-0008	WASHER	8		
5	14-0017	WHEEL	1		
6	20-0420	AXLE	1		
7	43-0092	COTTER PIN	2		
8	N/A	DECAL- DATA PLATE	1		
9	34-0814	DECAL- MI-T-M COMPRESSOR	1		
10	854-0051	AIR TANK ASSEMBLY (INC. 11-14)	1		
11	N/A Sep.	DECAL- WARNING: RISK OF BURNS (SEE 34-9016)	2		
12	N/A Sep.	DECAL- DANGER/WARNING/CAUTION (SEE 34-9016)	1		
13	N/A Sep.	AIR TANK (SEE 854-0051)	1		
14	N/A Sep.	DECAL- DRAIN TANK (SEE 34-9016)	2		
15	30-0155	LOCKNUT	4		

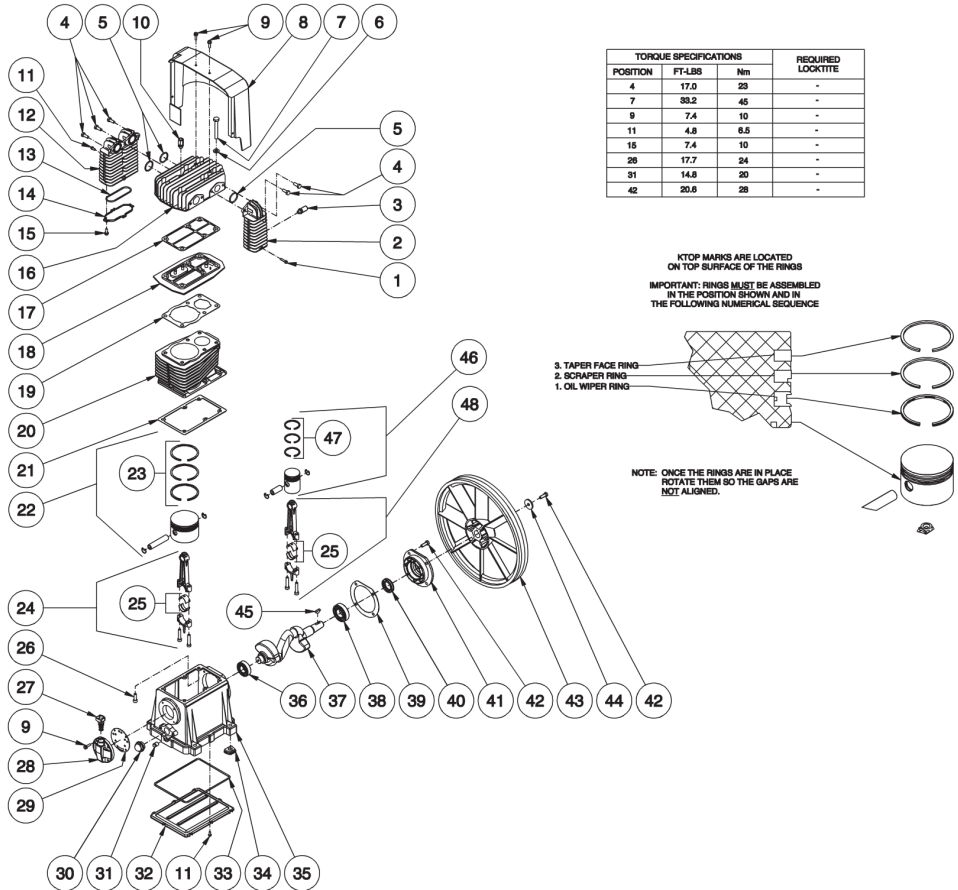
Id	Item #	Description	Quantity	Rev	Comments
16	14-0069	ISOLATOR	4		
17	27-0015	BOLT	4		
18	28-0002	WASHER	4		
19	23-0312	PETCOCK	1		
20	7-0059	HANDLE GRIP	2		
21	23-0127	TEE	1		
22	22-0267	PRESSURE RELIEF VALVE	1		
23	23-0111	REDUCER	1		
24	22-0271	PRESSURE GAUGE	2		
25	22-0270	PILOT VALVE	1		
26	15-0188	HOSE	1		
27	24-0160	ADAPTER	1		
28	27-0122	BOLT	4		
29	30-0159	LOCKNUT	8		
30	27-0066	BOLT	2		
31	28-0003	WASHER	8		
32	19-0219	AIR FILTER ASSEMBLY (INC. 33-35)	1		
33	N/A Sep.	FRONT AIR FILTER HOUSING (SEE 19-0219)	1		
34	19-0220	AIR FILTER ELEMENT	1		
35	N/A Sep.	REAR AIR FILTER HOUSING (SEE 19-0219)	1		
36	27-9524	BOLT	3		
37	30-0157	LOCKNUT	4		
38	43-0102	KEY	1		
39	10-0130	FLYWHEEL	1		
40	11-0062	DRIVE BELT	1		
41	28-1032	WASHER	1		
42	27-8033	BOLT	1		
43	854-0026	BELTGUARD ASSEMBLY (INC. 44-45)	1		
44	33-0020	EDGING *(FIVE FEET REQUIRED)	1		
45	N/A Sep.	BELTGUARD COVER (SEE 854-0026)	1		
46	N/A Sep.	DECAL- OPERATING INSTRUCTIONS (SEE 34-9016)	1		
47	N/A Sep.	DECAL- MAINTENANCE INSTRUCTIONS (SEE 34-9016)	1		
48	33-0197	FASTENER	2		
49	27-0017	BOLT	2		
50	9-0005	BUSHING	1		
51	10-0014	SHEAVE	1		
52	854-0024	BACK BELTGUARD ASSEMBLY (INC. 53-55)	1		
53	33-0020	EDGING *(THREE FEET REQUIRED)	1		
54	N/A Sep.	DECAL- WARNING: BELTGUARD IN PLACE (SEE 34-9016)	1		

Id	Item #	Description	Quantity	Rev Comments
55	N/A Sep.	BACK BELTGUARD (SEE 854-0024)	1	
56	N/A Sep.	DECAL- CHECK OIL (SEE 34-9016)	2	
57	27-8074	BOLT	2	
58	20-0818A01	SUPPORT BRACKET	1	
59	33-0425	SPACER	4	
60	3-0174	COMPRESSOR PUMP	1	
61	27-0121	BOLT	4	
62	1-0134	ENGINE- 9.0 HP SUBARU	1	
63	43-0078	KEY	1	
64	N/A Sep.	DECAL- ENGINE FUEL (SEE 34-9016)	1	
65	N/A Sep.	DECAL- MUFFLER HOT (SEE 34-9016)	1	
66	70-0380	DRAINZIT DRAIN ASSEMBLY	1	
67	23-0418	ELBOW	1	
68	42-0011	HOSE CLAMP	2	
69	15-0007	HOSE *(ONE FOOT REQUIRED)	1	
70	23-0105	HOSE BARB	1	
71	24-0010	NIPPLE	1	
72	20-0421A01	REGULATOR MOUNTING BRACKET	1	
73	27-0067	BOLT	2	
74	22-0231	ADJUSTABLE REGULATOR	1	
75	23-0316	ELBOW	1	
76	23-0425	TUBE SUPPORT INSERT	2	
77	15-0238	TUBE *(TWO FEET REQUIRED)	1	
78	33-0394	THROTTLE CONTROL	1	
79	23-0315	COMPRESSION NUT	1	
80	45-0084	ENGINE THROTTLE CLIP	1	
81	62-0126	THROTTLE CONTROL ADAPTER	1	
	34-9016	SAFETY DECAL KIT (INC. 11-12, 14, 46-47, 54, 56, 64-65)		
		*MUST ORDER IN ONE FOOT LENGTHS		



AC2-PR09-08M / AC2-PR09-08M (sn:20024260-99999999)

SINGLE STAGE COMPRESSOR



TORQUE SPECIFICATIONS			REQUIRED LOCKTITE
POSITION	FT-LBS	Nm	
4	17.0	23	-
7	33.2	45	-
9	7.4	10	-
11	4.8	6.5	-
15	7.4	10	-
28	17.7	24	-
31	14.8	20	-
42	20.6	28	-

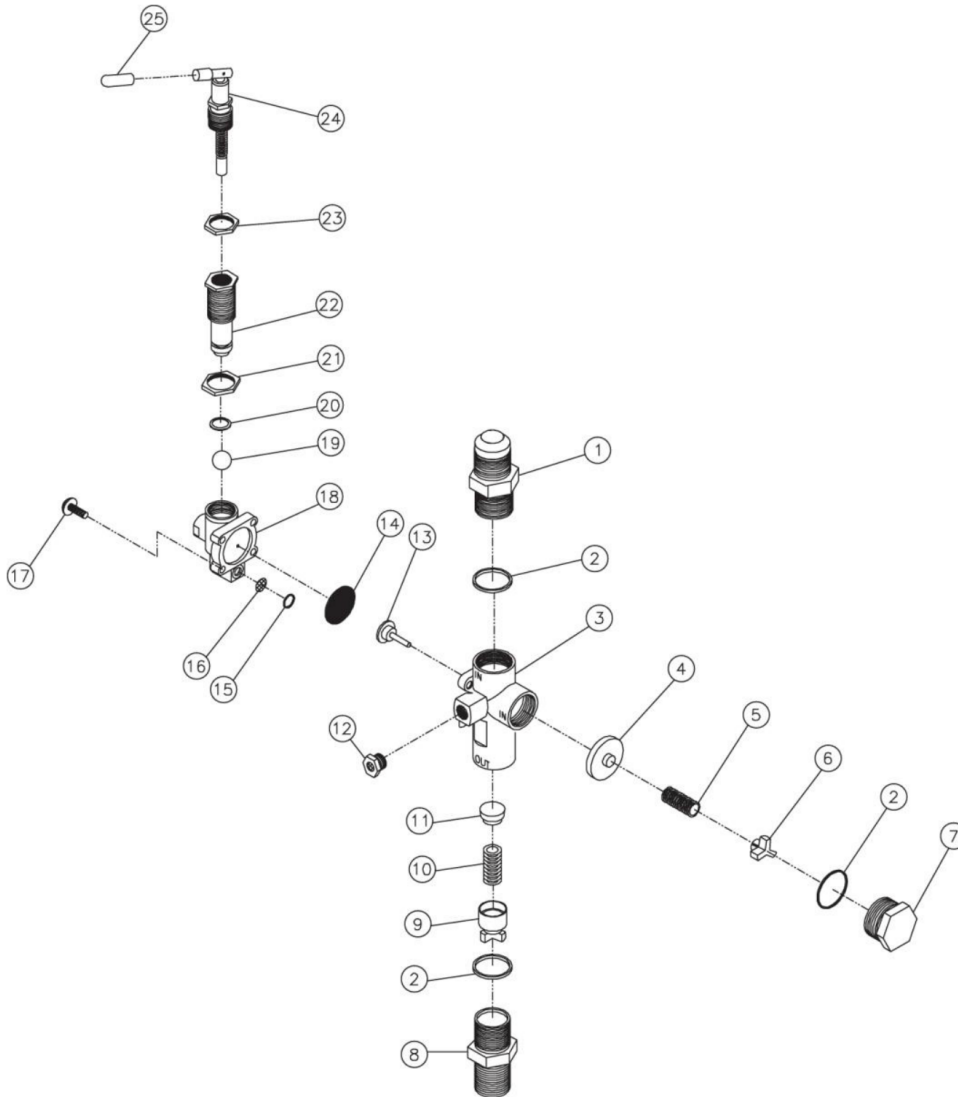
Id	Item #	Description	Quantity	Rev	Comments
1	27-8807	BOLT	1		
2	46-1156	AFTER COOLER	1		
3	22-0385	SAFETY VALVE	1		
4	27-8032	BOLT	5		
5	25-0439	O-RING	3		
6	28-1021	WASHER	6		
7	27-8934	BOLT	6		
8	N/A	AIR SHROUD	1		
9	27-8002	BOLT	6		
10	22-0386	SAFETY VALVE	1		
11	27-9575	SCREW	9		

Id	Item #	Description	Quantity	Rev	Comments
12	46-1157	INTER COOLER	1		
13	25-0440	O-RING	1		
14	46-0816	INTER COOLER COVER	1		
15	27-8906	SCREW	4		
16	46-1158	PUMP HEAD	1		
17	N/A Sep.	HEAD GASKET (SEE 70-0240)	1		
18	22-0283	VALVE PLATE ASSEMBLY	1		
19	N/A Sep.	CYLINDER GASKET (SEE 70-0240)	1		
20	46-0817	CYLINDER	1		
21	N/A Sep.	CRANKCASE GASKET (SEE 70-0240)	1		
22	N/A	COMPLETE PISTON	1		
23	70-0238	RING SET KIT	1		
24	N/A	CONNECTING ROD	1		
25	N/A	CONNECTING ROD BEARING	2		
26	27-8194	SCREW	6		
27	46-0818	CRANKCASE FILL HOLE PLUG W/ O-RING	1		
28	46-0819	OIL FILL END CAP	1		
29	N/A Sep.	OIL FILL END CAP GASKET (SEE 70-0240)	1		
30	46-0820	OIL LEVEL SIGHT GLASS W/ O-RING	1		
31	39-0106	OIL DRAIN PLUG	1		
32	N/A	OIL PAN	1		
33	N/A Sep.	OIL PAN O-RING (SEE 70-0240)	1		
34	46-0821	ISOLATOR	4		
35	N/A	CRANKCASE	1		
36	48-0060	BALL BEARING	1		
37	N/A	PISTON CRANKSHAFT	1		
38	48-0024	BALL BEARING	1		
39	N/A Sep.	FRONT END CAP GASKET (SEE 70-0240)	1		
40	26-0208	CRANKSHAFT SEAL	1		
41	46-0822	FRONT END CAP	1		
42	27-8033	BOLT	5		
43	10-0130	FLYWHEEL	1		
44	28-1032	WASHER	1		
45	43-0102	KEY	1		
46	N/A	COMPLETE PISTON	1		
47	70-0239	RING SET KIT	1		
48	N/A	CONNECTING ROD	1		
KIT	70-0240	GASKET KIT (INC. 5, 13, 17, 19, 21, 29, 33, 39)			



AC2-PR09-08M / AC2-PR09-08M (sn:20024260-99999999)

PILOT VALVE



Id	Item #	Description	Quantity	Rev	Comments
1	N/A	INLET PORT FITTING	1		
2	N/A Sep.	O-RING (SEE 70-0241)	3		
3	N/A	MAIN BODY	1		
4	N/A Sep.	PISTON ASSEMBLY-UNLOADER VALVE (SEE 70-0241)	1		
5	N/A Sep.	SPRING-UNLOADER VALVE (SEE 70-0241)	1		
6	N/A	SPRING SEAT-UNLOADER VALVE	1		
7	N/A	CAP	1		

Id	Item #	Description	Quantity	Rev	Comments
8	N/A	DISCHARGE PORT FITTING	1		
9	N/A	SPRING SEAT ASSEMBLY-CHECK VALVE	1		
10	N/A Sep.	SPRING-CHECK VALVE (SEE 70-0241)	1		
11	N/A Sep.	PISTON-CHECK VALVE (SEE 70-0241)	1		
12	23-0419	MUFFLER	1		
13	N/A Sep.	STEM UNLOADER (SEE 70-0241)	1		
14	N/A Sep.	DIAPHRAM (SEE 70-0241)	1		
15	N/A Sep.	O-RING (SEE 70-0241)	1		
16	N/A Sep.	SCREEN (SEE 70-0241)	1		
17	N/A	SCREW W/WASHER	4		
18	N/A	PILOT BODY	1		
19	N/A Sep.	BALL (SEE 70-0241)	1		
20	N/A Sep.	O-RING (SEE 70-0241)	1		
21	N/A	DIFFERENTIAL ADJUSTING LOCKNUT	1		
22	N/A	DIFFERENTIAL ADJUSTING NUT	1		
23	N/A	PRESSURE ADJUSTING LOCKNUT	1		
24	N/A Sep.	PRESSURE ADJUSTING TOGGLE ASSEMBLY (SEE 70-0241)	1		
25	N/A	RED TOGGLE COVER	1		
KIT	70-0241	REPAIR KIT (INC. 2 EACH 3, 4-5, 10-11, 13-16, 19-20, 24			