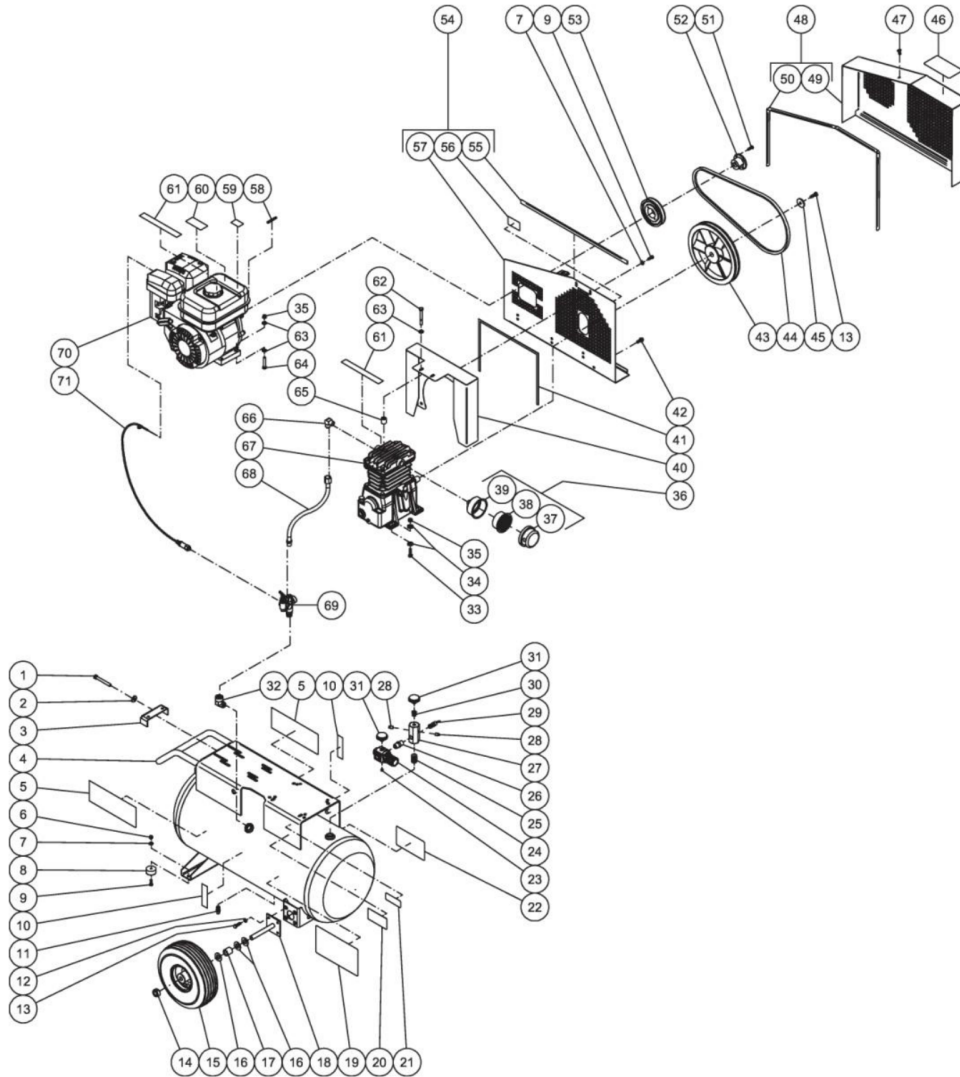




AC1-PR06-20M / AC1-PR06-20M (sn:20035391-99999999)

TANK ASSEMBLY



Id	Item #	Description	Quantity
1	27-0576	BOLT	1
2	28-0023	FLATWASHER	1
3	20-0614A01	BELT TENSION BRACKET	1
4	N/A	AIR TANK ASSEMBLY	1
5	34-0828	DECAL- LOGO	2
6	30-0155	LOCKNUT	2
7	28-0008	WASHER	6

Id	Item #	Description	Quantity
8	14-0069	ISOLATOR	2
9	27-0015	SCREW	8
10	N/A Sep.	DECAL- TANK DRAIN (SEE 34-9016)	2
11	23-0312	PETCOCK	1
12	29-0007	LOCKWASHER	8
13	27-0067	BOLT	9
14	33-0351	COLLAR / SHAFT	2
15	14-0017	WHEEL	2
16	28-0008	WASHER	6
17	62-0188	AXLE SPACER	2
18	20-0670A01	AXLE STUB BRACKET	1
19	N/A Sep.	DECAL- DANGER/WARNING/CAUTION (SEE 34-9016)	1
20	N/A	DECAL- DATA PLATE	1
21	N/A Sep.	DECAL- WARNING: RISK OF BURNS (SEE 34-9016)	1
22	N/A Sep.	DECAL- MAINTENANCE INSTRUCTIONS (SEE 34-9016)	1
23	24-0082	REGULATOR PLUG	1
24	22-0231	ADJUSTABLE REGULATOR	1
25	24-0174	NIPPLE	1
26	24-0010	NIPPLE	1
27	24-0264	MANIFOLD BLOCK	1
28	24-0082	PLUG	2
29	22-0228	SAFETY VALVE	1
30	23-0111	REDUCER	1
31	22-0257	PRESSURE GAUGE	2
32	24-0041	ELBOW	1
33	27-0068	BOLT	4
34	28-0022	WASHER	8
35	30-0157	LOCKNUT	8
36	19-0083	AIR FILTER ASSEMBLY (INC. 37-39)	1
37	19-0084	FRONT FILTER HOUSING	1
38	19-0082	REPLACEMENT FILTER	1
39	N/A Sep.	REAR FILTER HOUSING (SEE 19-0083)	1
40	20-0612A01	AIR SHROUD	1
41	26-0240	GASKET *(ONE FOOT REQUIRED)	1
42	27-9524	BOLT	3
43	10-0115	FLYWHEEL W/COMPRESSOR	1
44	11-0011	DRIVE BELT	1
45	28-1032	FLATWASHER	1
46	N/A Sep.	DECAL- OPERATING INSTRUCTIONS (SEE 34-9016)	1

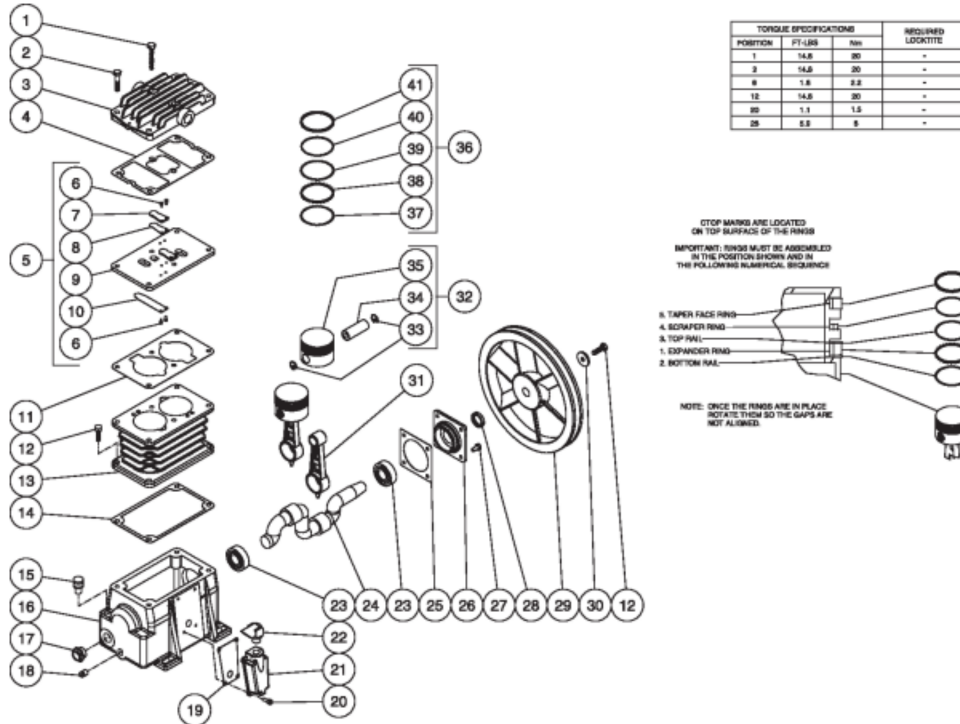
Id	Item #	Description	Quantity
47	33-0197	FASTENER	1
48	854-0009	BELTGUARD ASSEMBLY (INCLUDES 49, 50)	1
49	N/A Sep.	BELTGUARD COVER (SEE 854-0009)	1
50	33-0020	EDGING *(FOUR FEET REQUIRED)	1
51	27-0015	BOLT	2
52	9-0009	BUSHING	1
53	10-0101	DRIVE PULLEY	1
54	854-0007	BELTGUARD BACK ASSEMBLY (INCLUDES 55-57)	1
55	33-0020	EDGING *(TWO FEET REQUIRED)	1
56	N/A Sep.	DECAL- WARNING: BELTGUARD IN PLACE (SEE 34-9016)	1
57	N/A Sep.	BELTGUARD BACK (SEE 854-0007)	1
58	43-0073	KEY	1
59	N/A Sep.	DECAL- WARNING: HOT SURFACE (SEE 34-9016)	1
60	N/A Sep.	DECAL- CAUTION: ALLOW TO COOL (SEE 34-9016)	1
61	N/A Sep.	DECAL- CHECK OIL TAPE (SEE 34-9016)	2
62	27-0074	BOLT	2
63	28-0003	WASHER	10
64	27-0070	BOLT	4
65	33-0358	SPACER	2
66	15-0426	ELBOW	1
67	3-0215	PUMP	1
68	15-0235	HOSE	1
69	22-0346	PILOT VALVE	1
70	1-0132	ENGINE- 6.0HP SUBARU	1
71	33-0401	THROTTLE CONTROL	1
	34-9016	SAFETY DECAL KIT (INC. 10, 19, 21, 22, 46, 56, 59-61)	

*MUST ORDER IN ONE FOOT LENGTHS



AC1-PR06-20M / AC1-PR06-20M (sn:20035391-99999999)

SINGLE STAGE COMPRESSOR



Id	Item #	Description	Quantity
1	27-0071	SCREW	2
2	27-0069	SCREW	4
3	46-1199	CYLINDER HEAD	1
4	N/A Sep.	HEAD GASKET (SEE 70-0326)	1
5	46-0952	VALVE PLATE ASSEMBLY (INC. 6-10)	2
6	N/A Sep.	VALVE SCREW (SEE 70-0327)	8
7	N/A Sep.	VALVE STOP (SEE 70-0327)	2
8	N/A Sep.	OUTLET REED VALVE (SEE 70-0327)	2
9	N/A	VALVE PLATE	1
10	N/A Sep.	INLET REED VALVE (SEE 70-0327)	2
11	N/A Sep.	CYLINDER VALVE PLATE GASKET (SEE 70-0326)	1
12	27-0067	SCREW	5
13	46-0953	CYLINDER	1
14	N/A Sep.	CYLINDER TO CRANKCASE GASKET (SEE 70-0326)	1

Id	Item #	Description	Quantity
15	46-1144	OIL FILL PLUG	1
16	46-1194	CRANKCASE	1
17	46-1145	OIL SIGHT GLASS	1
18	24-0082	PLUG	1
19	26-0292	GASKET	1
20	27-8885	BOLT	4
21	46-1195	COVER	1
22	46-1196	ELBOW	1
23	48-0016	BEAR BALL	2
24	46-0955	CRANKSHAFT	1
25	N/A Sep.	FLANGE GASKET (SEE 70-0326)	1
26	46-0957	FLANGE	1
27	27-0014	SCREW	4
28	26-0246	SHAFT OIL SEAL	1
29	10-0115	FLYWHEEL	1
30	N/A Sep.	WASHER W/CRANKSHAFT (SEE 46-0955)	1
31	46-0958	CONNECTING ROD	2
32	70-0329	PISTON KIT (INC. 33-35)	2
33	N/A Sep.	SNAP RING (SEE 70-0329)	4
34	N/A Sep.	WRIST PIN (SEE 70-0329)	2
35	N/A Sep.	PISTON (SEE 70-0329)	2
36	70-0328	PISTON SEALS KIT (INC. 37-41)	2
37	N/A Sep.	BOTTOM RAIL (SEE 70-0328)	2
38	N/A Sep.	EXPANDER RING (SEE 70-0328)	2
39	N/A Sep.	TOP RAIL (SEE 70-0328)	2
40	N/A Sep.	SCRAPER PISTON RING (SEE 70-0328)	2
41	N/A Sep.	TAPER FACE PISTON RING (SEE 70-0328)	2
KIT	70-0326	GASKET KIT (INC. 4, 11, 14, 25)	
KIT	70-0327	VALVE PLATE KIT (INC. 6-8, 10)	
KIT	70-0328	PISTON SEALS KIT (INC. 37-41)	
KIT	70-0329	PISTON KIT (INC. 33-35)	