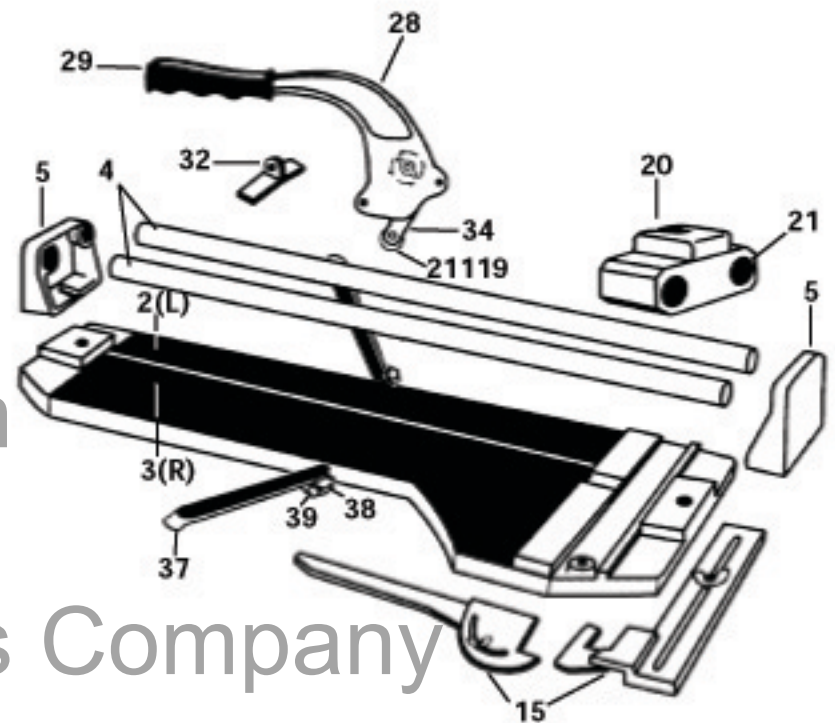




# No. 10500 20" Big Clinker Tile Cutter

ORDER NO.	DESCRIPTION
10500*	Box
10500-2/3	Replacement Pads (2)
10500-4	Rail Bars (2)
10500-5	End Bracket
10500-15	Guide (Complete)
10500-20	Slide Assembly
10500-21	Bearing Assembly Only
10500-28	Handle with Grip
10500-29	Grip
10500-32	Breaker Bar
10500-34	Holder for Ball Bearing Wheel
10500-36	Handle Complete with Holder for Ball Bearing Wheel, Breaker Bar, & Slide Assembly with Bearings (20, 21, 28, 32, 34)
10500-37	12" Aluminum Arm (2)
10500-38	Aluminium Connector & Hardware
10500-39	White Round Head Screw
21123	7/8" Tungsten Carbide Ball Bearing Cutting Wheel



Parts.com  
 888-634-4289  
 An iBuy Stores Company