

# **BE**

---

## ***30 GALLON AIR COMPRESSOR***

**USER MANUAL**

---

**BEPOWEREQUIPMENT**

**.COM**

**Introduction**

- 4 Using the Operator's Manual

**Product Identification**

- 5 Record Identification Numbers

**Safety**

- 6 Safety Precautions and Warnings

**Troubleshooting**

- 7 Troubleshooting Chart

**Compressor Maintenance**

- 9 Maintenance

- 10 Storage

**Adjustments & Alignment**

- 11 Adjusting Belt Tension

- 11 Pulley Alignment

**Unit Description**

- 12 What is a reciprocating compressor?

- 12 Description of Cooling

- 12 Description of Controls

**Pre-Operation**

- 13 Receiving and uncrating of your compressor

- 13 Compressor Installation

- 13 Location

- 13 Mounting

- 14 Induction System

- 14 Noise

- 14 Piping Fitup

- 14 Safety Valves

- 15 Pressure Vessels

- 15 Manual Relief and Shutoff Valves

- 16 Guards

- 16 Drives

**Start Up Preparation**

- 17 Start Up Preparation

**Stopping for Maintenance**

- 18 Stopping for Maintenance or Service

**Maintenance**

- 19 Safety Procedures

- 19 Daily

- 19 Weekly

- 19 Every 3 Months

**Parts Breakdown**

- 20 Parts Breakdown

- 21 Parts Breakdown Description

- 22 CA1 and CA1U

- 23 CA1 and CA1U Parts Breakdown



**Attention: Read through the complete manual prior to the initial use of your Compressor**

### **Using the Operator's manual**

The operating manual is an important part of your Compressor. It should be read thoroughly before initial use, and referred to often to make sure adequate safety and service concerns are being addressed.

Reading the owner's manual thoroughly will help avoid any personal injury or damage to your pump. By knowing how best to operate this machine you will be better positioned to show others who may also operate the unit.

You can refer back to the manual at any time to help troubleshoot any specific operating functions, so store it with the machine at all times.

**WARNING:** This product can expose you to chemicals including lead, which is known to the State of California to cause cancer and birth defects or other reproductive harm. For more information, go to [www.P65Warnings.ca.gov](http://www.P65Warnings.ca.gov). Wash hands after handling.

### **Record Identification Numbers**

#### **COMPRESSOR**

If you need to contact an Authorized Dealer or Customer Service line (1-866-850-6662) for information on servicing, always provide the product model and identification numbers.

You will need to locate the model and serial number for the pump and record the information in the places provided below.

**Date of Purchase:**

**Dealer Name:**

**Dealer Phone:**

#### **Product Identification Numbers**

**Model Number:**

**Serial Number:**

### Safety Precautions and Warnings

Listed are some, but not all safety precautions that must be observed with compressors. Failure to follow any of these warnings may result in severe personal injury, death, property damage and/or compressor damage.

- Air from this compressor will cause severe injury or death if used for breathing or food processing.
- Air used for these processes must meet OSHA 29 CFR 1910 or FDA 21 178.3570 regulations.
- This compressor is designed for use in the compression of normal atmospheric air only. No other gases, vapors or fumes should be exposed to the compressor intake, nor processed through the compressor.
- Disconnect all power supplies to the compressor plus any remote controllers prior to servicing the unit.
- Relieve all pressure internal to the compressor prior to servicing.
- Do not depend on check valves to hold system pressure.
- A properly sized safety valve must be installed in the discharge piping ahead (upstream) of any shutoff valve (block valve), heat exchanger, orifice or any potential blockage point. Failure to install a safety relief valve could result in rupturing or explosion of some compressor or safety component.
- Do not change the pressure setting of the safety relief valve, restrict the function of the safety relief valve, or replace the safety valve with a plug.
- Over pressurization of some system or compressor component can occur, resulting in severe personal injury, death and property damage.
- Never use plastic pipe, rubber hose, or soldered joints in any part of the compressors. Failure to ensure system compatibility with compressor piping is dangerously unsound.
- Never use a flammable or toxic solvent for cleaning the air filter or any parts.
- Do not attempt to service any part while the compressor is operating.
- Do not operate the compressor at pressures in excess of its rating.
- Do not remove any guards while the compressor is operating.
- Observe gauges daily to ensure compressor is operating properly.
- Follow all maintenance procedures and check all safety devices on schedule.
- Compressed air is dangerous, do not play with it.
- Use the correct lubricant at all times.

### Troubleshooting

#### TROUBLESHOOTING CHART

NOTE: Troubleshooting problems may have similar causes and solutions. Make sure drive engine battery is disconnected before any maintenance or repair.

**ALWAYS MAKE SURE COMPRESSOR DRIVE ENGINE KEY SWITCH IS OFF AND REMOVED FROM THE COMPRESSOR**

You should always contact an authorized service center before attempting to fix or repair your air compressor.

Problem	Possible Cause	Solutions
Compressor stalls and dies	<ol style="list-style-type: none"> <li>1. Drive engine low on fuel.</li> <li>2. Compressor check valve not functioning.</li> <li>3. Compressor Pilot valve not functioning.</li> <li>4. Spark Plug in engine is bad.</li> <li>5. Drive engine low on oil.</li> </ol>	<ol style="list-style-type: none"> <li>1. Check fuel level in drive engine.</li> <li>2. Inspect compressor check valve.</li> <li>3. Check drive engine spark plug.</li> <li>4. Check oil level on compressor drive engine.</li> <li>5. Check oil on compressor pump.</li> </ol>
Compressor is running but is not compressing air	<ol style="list-style-type: none"> <li>1. Compressor pilot valve is actuated.</li> <li>2. Compressor pilot valve is malfunctioning.</li> <li>3. Compressors pump head unloaders stuck engaged.</li> </ol>	<ol style="list-style-type: none"> <li>1. Check pilot valve to make sure it is in the proper position.</li> <li>2. Replace compressor pilot valve.</li> <li>3. Check and clean compressor pump head unloaders.</li> </ol>
Compressor does not idle up for compression	<ol style="list-style-type: none"> <li>1. Throttle control valve (bullwhip) not engaging.</li> <li>2. Throttle control valve cable broken.</li> <li>3. Drive engine throttle linkage damaged.</li> </ol>	<ol style="list-style-type: none"> <li>1. Check throttle control valve (bullwhip) for proper function.</li> <li>2. Replace throttle control valve.</li> <li>3. Check drive engine throttle linkage.</li> </ol>
Compressor pump knocking	<ol style="list-style-type: none"> <li>1. Loose motor pulley or compressor flywheel.</li> <li>2. Low oil level in compressor pump.</li> <li>3. Carbon build up on valve and piston.</li> </ol>	<ol style="list-style-type: none"> <li>1. Tighten pulley or flywheel.</li> <li>2. Keep oil level at recommended level for proper operation.</li> <li>3. Only use factory recommended oil.</li> </ol>

Problem	Possible Cause	Solutions
Excessive oil discharge in air (All Compressors have a small amount of oil carry over in compression)	<ol style="list-style-type: none"> <li>1. Worn piston rings or cylinder.</li> <li>2. Restricted air intake.</li> <li>3. Oil level to high.</li> <li>4. Compressor has exceeded its duty cycle.</li> </ol>	<ol style="list-style-type: none"> <li>1. Clean or replace air filters.</li> <li>2. Reduce oil level to recommended amount.</li> <li>3. Reduce compressor duty cycle (repair leaks or add another unit to handle the excess demand).</li> </ol>
Compressor Overheating	<ol style="list-style-type: none"> <li>1. Poor ventilation.</li> <li>2. Dirty cooling surfaces.</li> <li>3. Compressor is out of its operating duty cycle.</li> </ol>	<ol style="list-style-type: none"> <li>1. Relocate compressor to any area with better ventilation (at least 18 inches from the nearest wall).</li> <li>2. Clean all cooling surfaces.</li> <li>3. Reduce compressor duty cycle (repair leaks or add another unit to handle the excess demand).</li> </ol>
Excessive belt wear	<ol style="list-style-type: none"> <li>1. Pulley out of alignment.</li> <li>2. Improper belt tension.</li> <li>3. Pulley damaged or loose.</li> </ol>	<ol style="list-style-type: none"> <li>1. Realign pulley with flywheel.</li> <li>2. Readjust belt tension.</li> </ol>
Compressor won't start in cold weather	<ol style="list-style-type: none"> <li>1. Bad check valve.</li> <li>2. Compressor has wrong grade oil.</li> <li>3. Control lines frozen.</li> </ol>	<ol style="list-style-type: none"> <li>1. Use IS 100 (30W) compressor oil for cold weather conditions.</li> <li>2. Move compressor to a warmer location.</li> <li>3. Put a heat lamp on compressor to maintain above freezing temperatures.</li> </ol>
Compressor has excessive vibration	<ol style="list-style-type: none"> <li>1. Compressor is not properly mounted on vibration isolation pads.</li> <li>2. Compressor pulley is out of alignment.</li> <li>3. Engine is low on fuel or throttle is out of adjustment.</li> </ol>	<ol style="list-style-type: none"> <li>1. Properly mount compressor on vibration isolation pads.</li> <li>2. Re-align pulleys.</li> <li>3. Check drive engine oil and fuel level.</li> <li>4. Re-adjust engine throttle control (bull whip).</li> </ol>

### Compressor Maintenance

<b>⚠ WARNING</b>
To avoid personal injury, always turn drive engine key off and remove from compressor, relieve all air pressure from the system, also disconnect the battery power connections before starting any service or maintenance on the compressor.

#### DAILY:

Drain the receiver. Condensation will accumulate in the tank daily, and should be drained at least once a day. This is done to reduce corrosions of the tank from the inside. Always wear protective eye wear when draining the tank.

Check pump oil level. All units have a sight glass the oil level non running units should be no lower than 1/2 way on the sight glass if it is lower then you need to add oil until it is at least 1/2 way up the sight glass.

Check unit for any unusual noise or vibrations.

#### WEEKLY:

Clean air filter to ensure that no dirt or heavy particulate makes its way into the compressors valve assemblies.

Clean external parts of compressor and electric motor, this helps to ensure proper cooling and prevents rust and corrosion on critical parts.

Check safety valves to ensure they are not stuck in place and are operating properly.

Elite units check auto tank drain for proper function.

#### MONTHLY:

Inspect complete air system for leaks to make sure the compressor does not get out of its duty cycle due to air leak in the system.

Inspect oil for contamination to ensure that harmful deposits do not build up in the oil.

Check belt tension, to ensure the belts do not fail pre-maturely. Tighten them as needed to ensure they do not slip. If belts are loose, tighten per instructions on next page. Failure to tighten can cause pre-mature belt failure.

### EVERY 3 MONTHS:

Change oil to ensure that the compressor has proper oil level and that the oil in the machine does not deteriorate past factory specifications.

Inspect valve assemblies to prevent premature failure and clean out and carbon that can form in older valves.

\*Elite units clean auto tank drain strainer and check for proper function.

Inspect pressure switch for proper function.

Inspect check valve for proper function and remove any carbon accumulation to prevent premature failure.

\*Clean belt guard coolers (if equipped).

### STORAGE OF COMPRESSOR:

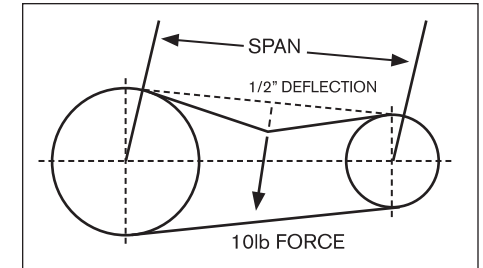
Before storing the compressor for a prolonged period of time, use a blow gun to clean all debris from compressor. Shut OFF main power and turn OFF disconnect. Drain tank pressure, clean air filter, drain old oil and replace with new oil. Cover the unit to prevent dust and moisture from collecting on the unit.

### Adjustments & Alignment

#### ADJUSTING BELT TENSION

Proper belt tension and pulley alignment must be maintained for maximum drive efficiency and for maximum belt life. The correct tension exists if a deflection of 1/2 inch occurs by placing 10lbs of force midway between the motor pulley and the compressor flywheel. This deflection can be adjusted by the following procedure. The pulley should be carefully aligned with the flywheel and set screws should be kept tight.

1. Remove the belt guard.
2. Loosen the motor mounting bolts.
3. Shift the motor to the point where the correct deflection exists.
4. Retighten the motor mounting belts.
5. Check to ensure that the tension remain correct after tightening.
6. Re-install the belt guard. All moving parts must be guarded.

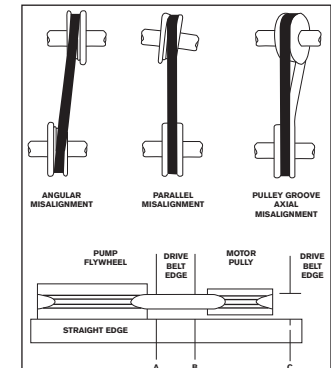


NOTE: Drive belt tension and pulley alignment are done at the same time. They are discussed separately for clarity.

#### PULLEY ALIGNMENT

The figure to the side shows 3 examples of misaligned pulleys. To check pulley alignment, remove the belt guard and place a straightedge against the compressor flywheel, measure and record the distance from the straightedge to the edge of the drive belt. Then measure the distance to the edge of the drive belt on the motor pulley at the same edge. As long as both points measure the same distance the pulleys will be aligned if not you will need to move the pulley until its in alignment this may take a few tries. To re-align the pulley follow the steps below.

1. Loosen the motor mounting bolts.
2. Remove the belt guard.
3. Loosen the set screw on the motor pulley.
4. Align the motor pulley with the compressor flywheel.
5. Re-tighten the motor pulley set screws.
6. Adjust the proper belt tension.
7. Re-tighten the motor mounting bolts.
8. Re-install the belt guard.



## Description

### WHAT IS A RECIPROCATING COMPRESSOR?

A reciprocating compressor is a piston type pump which develops pressure from the action of a piston moving through a cylinder. The cylinder, or cylinders, may be vertical, horizontal or angular.

When air is drawn in from the atmosphere and compressed to its final pressure in a single stroke, the compressor is referred to as a "single stage" pump. Single stage units normally are used in the 90 to 125 PSI range and are available as single or multi-cylinder (twin cylinder) compressors.

When the air drawn from the atmosphere is compressed first to an intermediate pressure, and then further compressed to a higher pressure, it is done in a "two stage" pump. These cylinders are unequal in size and the first stage always takes place in the larger, low pressure cylinder. From there it passes through the inner cooler to the smaller, high pressure cylinder. The cycle is completed as the air then moves through the after cooler and discharge line into the tank. Two stage compressors are generally used for pressure ranges from 100 to 175 PSI and deliver more air per horsepower at these pressures. This increase in efficiency is partially due to the heat dissipated as the air passes through the inner cooler.

### DESCRIPTION OF COOLING

Our compressors are cooled by fan blades, incorporated into the driven sheave (pulley), blowing air across the intercooler, after cooler, and cylinder head.

### DESCRIPTION OF CONTROLS

Stop/Start Receiver or plant air system pressure is controlled within limits by a pressure switch automatically stopping and starting the compressor as the air pressure reaches a maximum preset pressure (cut out) and then drops to a minimum pressure (cut in).

## Pre-Operation

### RECEIVING AND UNCRATING OF YOUR COMPRESSOR

Before uncrating the compressor the following steps should be taken.

1. Immediately upon receipt of the equipment, it should be inspected for damage that may have occurred during shipment. If any damage is found, demand an inspection immediately by an inspector from the carrier. Ask him how to file a claim for damages. (See Appendix "A" for Details).
2. Insure that adequate lifting equipment is available for moving the machinery.
3. Read the compressor nameplate to be sure the compressor is the model and size ordered.
4. Read the motor nameplate to be sure the motor is compatible with your electrical conditions. (Volts-Phase-Hertz).

**IMPORTANT:** Compressor drive engine comes with its own manual refer to drive engine manual for any specifications or troubleshooting issues with the drive engine of the air compressor.

### WARNING

Improper lifting can result in component or system damage or personal injury. Follow good shop practices and safety procedures.

## Compressor Installation

### LOCATION

Locate the compressor in an area that is clean, dry, well lighted, and well ventilated, with sufficient space for safe and proper inspection and maintenance. Ambient temperatures should not exceed 110 degrees F or fall below 30 degrees unless. Inspection and maintenance checks are required daily, therefore, ample space is required around the compressor.

The compressor must not be installed closer than fifteen inches from a wall or other solid structure to allow ample circulation of air across the compressor cylinders and head, and through the coolers if they are part of the system. Additional safety can be achieved by locating the pulley guard next to the wall or solid structure.

### MOUNTING

We recommend the use of rubber pads or isolators between the tank legs and the floor. If a shim is required to level the unit, place it between the pad and floor. If you bolt the unit to the floor, use the bolts as guide pins and do not tighten the bolts. The rubber pads are used to absorb machine vibration and cannot work effectively if bolted tightly.

### INDUCTION SYSTEM

Do not locate the compressor where it could ingest or ignite toxic, explosive or corrosive vapors, ambient air temperatures exceeding 110 degrees F, water or extremely dirty air. Ingestion of any of the above noted atmospheres by the compressor could jeopardize the performance of the equipment and all personnel exposed to the total compressor.

Destructive pulsations can be induced by reciprocating compressors that will damage walls and break windows. Pulsation can be minimized by adding a pulsation dampener on the inlet side of the compressor.

#### WARNING

Under no circumstances should a compressor be placed in an area that may be exposed to a toxic, volatile or corrosive atmosphere nor should toxic, volatile or corrosive agents be stored near the compressor.

### NOISE

Noise is a potential health hazard that must be considered. There are local and federal laws specifying maximum acceptable noise levels that must not be exceeded. Most of the noise from a reciprocating compressor originates from the air inlet point. Excessive noise can be greatly reduced by installing an intake noise silencer.

### PIPING FITUP

Care must be taken to avoid assembling the piping in a strain with the compressor. It should line up without having to spring or twist into position. Adequate expansion loops or bends should be installed to prevent undue stresses at the compressor resulting from the changes between hot and cold conditions. Pipe support should be mounted independently of the compressor and anchored as necessary to limit vibration and prevent expansion strains.

### SAFETY VALVES

Safety valves are pressure relief valves and should be sized and purchased with a pressure setting to protect the weakest link in the system. Never change the pressure setting, only the safety valve manufacturer is qualified to make a change.

Safety valves are to be placed ahead of any potential blockage point which included but is not limited to, shutoff valves, heat exchangers, pulsation dampeners, and discharge silencers.

#### DANGER

Safety valves are to protect system integrity in accordance with ASME Codes & ANSI B19.3 safety standards. Failure to use safety valves of the proper capacity and pressure will cause severe personal injury or death.

### PRESSURE VESSELS

Air receiver tanks and other pressure containing vessels such as, but not limited to, pulsation bottles, heat exchangers, moisture separators and traps, shall be in accordance with ASME Boiler and Pressure Vessel Code Section VIII and ANSI B19.3 Safety Standards.

#### DANGER

Failure to properly size, set & install pressure relief valves can be fatal.

#### CAUTION

ASME coded pressure vessels must not be modified, welded, repaired, reworked or subjected to operation conditions outside the nameplate ratings. Such actions will negate code status, affect insurance status and may cause severe personal injury, death, and property damage.

### MANUAL RELIEF AND SHUTOFF VALVES

Install a manual relief valve to vent the compressor to atmosphere. In those instances where the air receiver tank services a single compressor, the manual relief valve can be installed on the receiver. When a manual shut-off valve, and a safety relief valve installed upstream from the manual relief valve. These valves are to be designed and installed as to permit maintenance to be performed in a safe manner. Never substitute a check valve for a manual shut-off valve (block valve) if the purpose is to isolate the compressor from a system for servicing.

#### CAUTION

Relieve compressor and system air pressure by opening the appropriate manual relief valve prior to servicing. Failure to relieve all system pressure may result in severe personal injury, death & property damage.

**GUARDS**

All mechanical action or motion is hazardous in varying degrees and needs to be guarded. Guarding shall be in compliance with OSHA Safety and Health Standards 29 CFR 1910.219 in OSHA manual 2206 and any state or local code.

**⚠ CAUTION**

Guards must be fastened in place before starting the compressor and never removed before cutting off & locking out the main power supply.

**DRIVES**

It is important that the compressor and motor pulleys are aligned properly and the V belt is correctly tensioned. Improper pulley alignment and belt tension are causes for motor overloading, excessive vibration, and premature belt and/or bearing failure.

**⚠ CAUTION**

Excessive speed of the compressor or driver can be lethal. Never operate the compressor beyond the manufacturer's recommendation. Bursting of the flywheel may be the greatest threat because the normal guard may not contain all the pieces. Crankshaft and connecting rod breakage is a possibility and compressor efficiency, valve life and bearing life will be abnormally reduced.

**⚠ CAUTION**

Removal or painting over safety labels will result in uninformed conditions. This may result in personal injury or property damage. Warning signs and labels shall be provided with enough light to read, conspicuously located and maintained for legibility. Do not remove any warning, caution, or instructional material attached!

Provisions should be made to have the instruction manual readily available to the operator and maintenance personnel. If for any reason any part of the manual becomes illegible or if the manual is lost, have it replaced immediately. The instruction manual should be periodically read to refresh one's memory, it may prevent a serious or fatal accident.

**Start Up****START UP PREPARATION & PROCEDURES**

The following check list shall be adhered to before putting the compressor into operation.

**⚠ CAUTION**

Failure to perform the checks may result in serious injury or death, property damage and/or mechanical failure. Disconnect and lock out power supply.

1. Remove all loose pieces and tools around the compressor installation.
2. Check oil level in crankcase, add as necessary.
3. Check all pressure connections for tightness and leaks.
4. Check to make sure all safety relief valves are in place and operational.
5. Check to be sure all guards are in place and securely mounted.
6. Check fuses, circuit breakers and thermal overloads for proper size.
7. Open all manual shut-off valves (block valves) at and beyond the compressor discharge.

The following procedures should be followed for start-up of a new installation, or after changes have been made to an existing installation, and/or after service repair work has been performed.

1. Instructions in addition to those contained within this manual, supplied by manufacturers of supporting equipment, must also be read and understood before start-up.
2. Check oil level in crankcase.
3. Drain moisture from air receiver and traps.
4. Start compressor and watch for excessive vibration or strange noises. If either is observed, stop the compressor immediately and correct.
5. Check air receiver or system pressure.
6. Manually activated safety relief valves by pulling ring or lever.
7. Check operation of controls.
8. After two days of operation check belt tension, air piping for leaks, and crankcase oil level.

## Stopping for Maintenance or Service

### ⚠ CAUTION

Never assume the compressor is ready for maintenance or service because it is stopped. The automatic stop/start control may start the compressor at any time!

The following procedure should be followed to maximize safety when preparing for maintenance or service.

1. Turn compressor drive engine key switch off and remove key from compressor.
2. Close shut-off valve (block valve) between receiver and compressor, or receiver and air system, to prevent any back-up of air flow into the area to be serviced.
3. Disconnect battery connection to compressor drive engine
4. Lock open manual vent valve and wait for the pressure in the area to be serviced (compressor, receiver, etc.) to be completely relieved before starting service. The Manual vent valve may be the drain valve in the receiver. NEVER remove a plug to relieve the pressure.
5. Open all manual drain valves within the area to be serviced.
6. Wait for the unit to cool before starting service, (temperatures at 125 degrees F can burn the skin), some surface temperatures exceed 400 degrees F when the compressor is working).
7. Clean up all oils spills immediately to prevent slipping.

## Maintenance

### SAFETY PROCEDURES

Adherence to safe working procedures are important to Service personnel at the time of servicing and to those who may, at a later date be around the compressor and the system it serves. Routine maintenance insures trouble free operation and protects your investment. All warranties are void if maintenance is neglected.

### DAILY

**Check the oil level.** Maintain the level at the center of the sight glass with 30w non-detergent.

**Drain the tank.** Turn off the power to the compressor and drain all the moisture from the bottom of the tank.

### WEEKLY

**Clean the oil.** If the oil appears contaminated by moisture or dirt, change immediately.

**Check the V belts.** Turn off the compressor and inspect the belts for damage, excessive wear, and correct tension. Replace if necessary.

**Test the safety valve.** Pull the ring on the safety valve. Air should escape and then reset. In the event the compressor ran over pressure, the safety valve would reduce the tank pressure to a safe level. Never run the unit without this safety valve or attempt to adjust it.

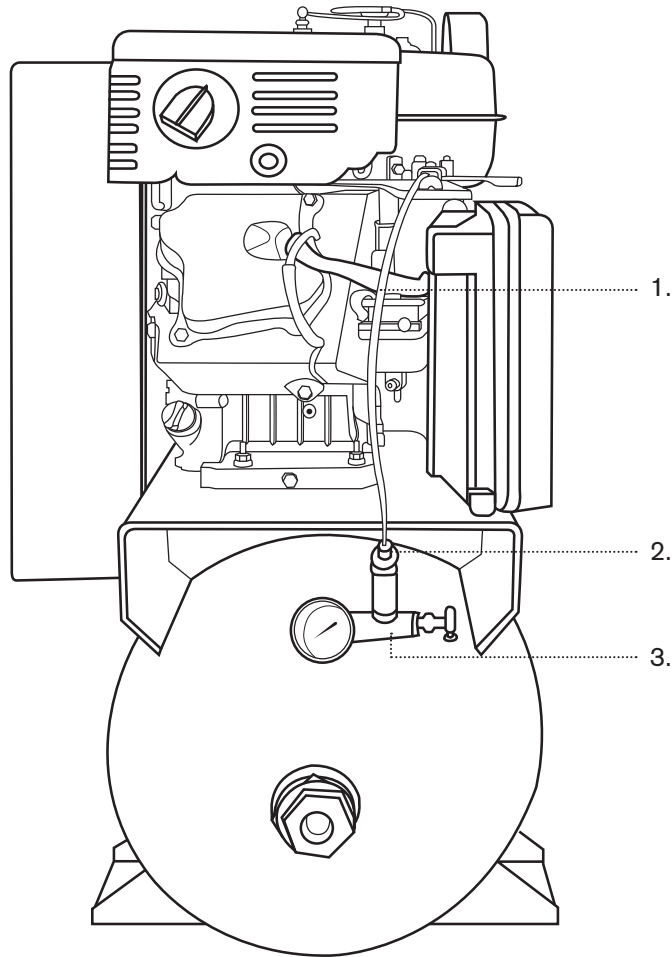
**General inspection.** Check the overall operation of the unit. Tighten any loosen bolts, inspect for air leaks and inspect for any unusual noises or vibrations.

### EVERY 3 MONTHS OR 500 HOURS OF OPERATION

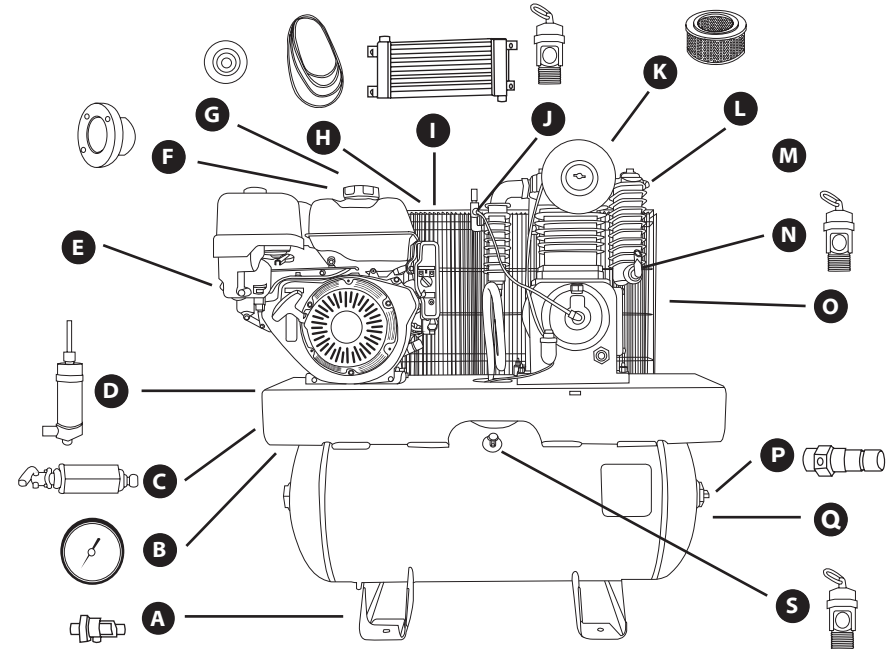
**Change the oil.** Refill with 30w non-detergent oil.

**Inspect compressor valves and plates.** The compressor valves are manufactured from high quality stainless steel for long life. Inspect and clean the valves and valve plates by brushing with a stiff bristle brush. Do not use a steel or wire brush as severe damage to the sealing surfaces may result. Clean safety solvent may also be used to loosen carbon deposits. NEVER use gasoline, thinners or other flammable solutions to clean valves or related parts. Check to be sure the valves are seated against the sealing surface around each port. If the valves are not sealing, compressor capacity will be severely reduced and excessive heat will be generated, resulting in carbon build-up.

**Please Note:** Your unit may differ from the one shown in the following diagrams. For specific model information, please visit **BEPOWEREQUIPMENT.COM**

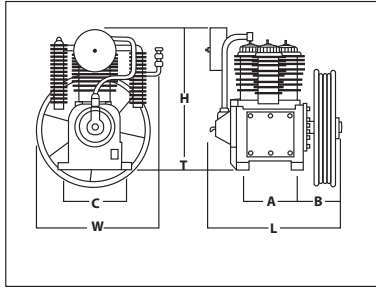
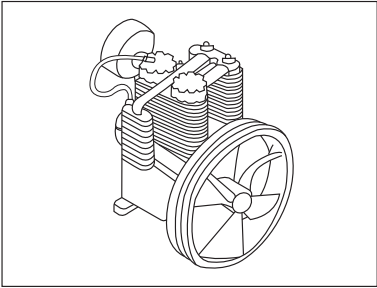


1. Bull Whip Throttle Cable
2. Bull Whip (Throttle Control)
3. Pilot Valve (Air Pressure Control Device)



Description	Part Number
A Auto Tank Drain	A IAT-WV1
B Check Valve	B IAT-CTB34X34
C Pilot/Pressure Control Valve	C IAT-RCB-MHU160/175
D Throttle Control Valve	D IAT-TCLI-36
E Pressure Gauge	E IAT-PSB20
F Gas Engine	F 8HP KOHLER(IAT-PS95108) 8HP HONDA (GX270) 13HP HONDA (IAT-GX390KIQ) 15HP KOHLER (IAT-44502) 10HP DIESEL (IAT-15LD400) 14HP KOHLER (CH-440)
G Motor Pulley	G IAT-LP2B495H
H Belts	H IAT-B72
I Belt guard cooler	I IAT-M15-AL
J Discharge safety valve 250 PSI	J IAT-ST25-250
K 10-15hp Gas/Diesel Pump	K IAT-CA1-U
L Air cleaner Housing L1. Air Filter	L IAT-019-0023, L1. IAT-14
M Belt Guard	M IAT-BG5X18X32X110G
N Intercooler Safety Valve 70 PSI	N IAT-ST25-70
O Battery Box	O IAT-BATTERYBX
P Tank safety valve 200 PSI	P IAT-ST25-200
Q Tank 30 Gallon	Q IAT-300562

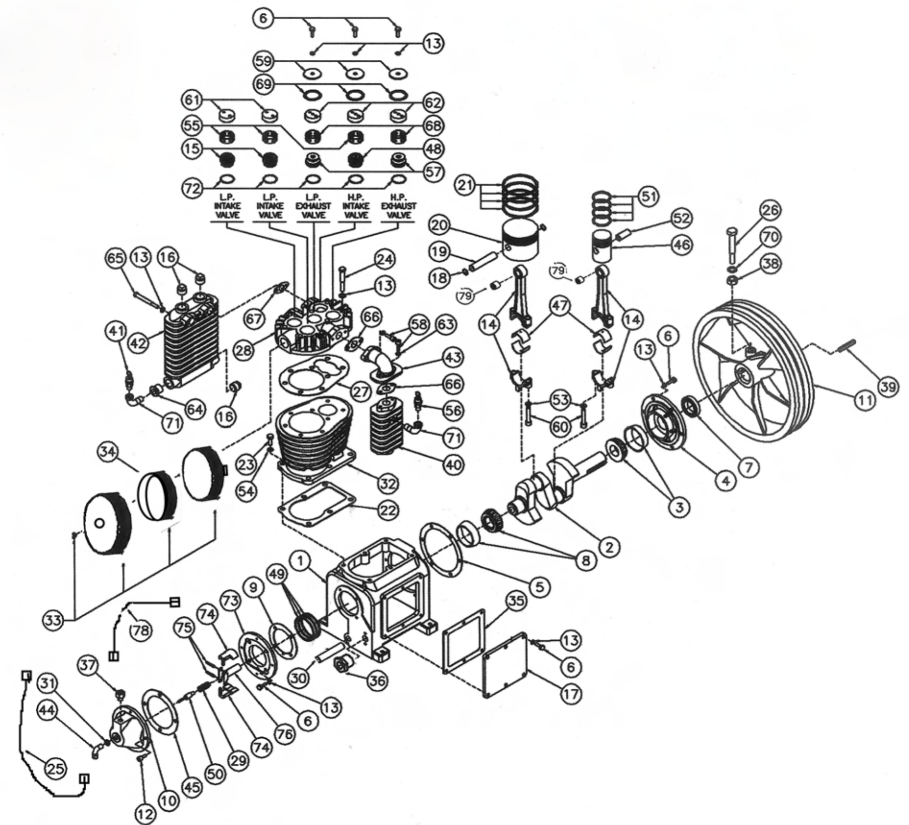
### CA1 and CA1U



Performance			
Motor	HP	7.5	8.5
	KW	5.48	6.10
Pressure	PSI	145	175
	Bar	1.0	1.21
Cylinders		2	2
Piston LP	inch	4.13	4.13
	mm	105	105
Piston HP	inch	2.16	2.16
	mm	55	55
Stroke	inch	3.5	3.5
	mm	89	89
RPM		1100	1400
Displacement	DCFM	29.9	31
	m3/m	.85	.88
Air Delivered	ACFM	21.7	21.7
	m3/m	.62	.62
Efficiency %		72.5	70
Flywheel Dia.	inch	17	17
	mm	430	430
Groove Type		1/B	1/B

Dimensions			
A	inch	7.75	197
	mm		
B	inch	5.63	144
	mm		
C	inch	9.0	229
	mm		
L	inch	18	457
	mm		
W	inch	17	432
	mm		
H	inch	20	508
	mm		
Weight	kg	102	225
	lb		
QTY 20' container		144	
QTY 40' container		216	

### CA1 and CA1U Parts Breakdown



5-7.5 hp Electric  
 8-15 hp Gas/Diesel  
 Two stage  
 Cast iron  
 Model CA1

Item	CAS #	Part	Description	Qty
1	049-0027	708000	Crankcase	1
2	053-0051	709000	Crankshaft	1
3	051-0053	050170	Bearing set front	1
4	045-0044	701000	Front bearing carrier	1
5	046-0168	070163	Gasket front cap	1
6	059-0166	110117	Capscrew hex M8x20	21
7	046-0179	060068	Seal - shaft	1
8	051-0054	050172	Bearing set rear	1
9	046-0227	070172	Gasket rear cap	1
10	077-0071	728004	Centrifugal adapter plate	1
11	044-0037	713002	Flywheel 16 7/8"	1
12	059-0156	110104	Capscrew skt HD M6x20	4
13	060-0061	070201	Gasket copper	14
14	047-0054	705000	Rod connecting aluminum w/bushing	2
15	043-0098	727000	Valve assembly - LP inlet	2
16	062-0006	160004	Plug oil fill 3/4" NPT	4
17	077-0069	020146	Cover crankcase side	1
18	054-0119	200100	Snpring internal	2
19	052-0027	729000	Wristpin - LP piston	1
20	048-0054	720000	Piston LP 105mm	1
21	054-0179	719064	Piston ring set LP	1
22	046-0167	070162	Gasket cylinder to crankcase	1
23	059-0159	110107	Capscrew hex 10 x 25	6
24	059-0167	110111	Capscrew hex 12 x 70	8
25	046-0178	070171	Gasket sight glass	1
26	059-0163	110108	Capscrew hex 16 x 80	1
27	046-0166	070161	Gasket cylinder head	1
28	042-0055	710000	Head cylinder	1
29	055-0051	723003	Spring unloader	1
30	062-0004	160005	Plug oil drain 3/8" NPT	1
31	058-0084	120058	Nut adjustment lock	1
32	050-0030	711000	Cylinder	1
33	019-0097	712000	Filter inlet assembly	1
34	019-0023	712114	Filter element	1
35	046-0169	070164	Gasket side cover	1
36	032-0031	731004	Flanged sight glass	1
37	056-0018	703007	Breather	1
38	058-0086	120060	Nut hex - M16	1
39	146-0015	080029	Key flywheel	1
40	082-0014	706004	Aftercooler	1
41	136-0046	722005	Valve safety 75 PSI	1
42	082-0012	706000	Intercooler	1
43	083-0009	706002	Elbow aftercooler	1
44	031-0057	704000	Elbow valve and unloader	1

45	046-0171	070166	Gasket unloader cover	1
46	048-0081	720002	Piston - HP	1
47	051-0055	050122	Insert rod - bearing half	1
48	043-0100	727001	Valve assembly - HP inlet	A/R
49	046-0177	090095	Shim .015 Brg Adjustment	and/or
49	046-0176	090094	Shim .010 Brg Adjustment	and/or
49	046-0175	090093	Shim .005 Brg Adjustment	and/or
50	078-0011	728003	Plunge unloader	1
51	054-0178	719088	Set HP piston rings	1
52	052-0028	729006	Wristpin HP piston	1
53	060-0063	130060	Lockwasher 10	4
54	060-0063	070203	Gasket copper	6
55	043-0094	727003	Spacer inlet valve	3
56	136-0007	722007	Valve safety 200 PSI ASME	1
57	043-0100	727002	Valve assy HP/LP discharge	2
58	059-0158	110106	Capscrew SKT head 8 x 25	4
59	077-0073	727136	Cover valve	3
60	059-0154	110102	Capscrew SKT head M10 x 45	4
61	058-0082	727134	Retainer inlet valve	2
62	058-0083	737135	Retainer discharge valve	3
63	060-0070	130058	Lockwasher 8	4
64	063-0006	160002	Bushing reducing 3/4" x 1/4" FNPT	1
65	059-0157	110105	Capscrew hex M8 x 85	4
66	046-0172	070167	Gasket aftercooler	2
67	046-0173	070169	Gasket intercooler	2
68	043-0095	727004	Spacer discharge valve	2
69	046-0174	070170	Gasket valve cover	3
70	060-0069	130057	Lockwasher 16	1
71	064-0022	160003	Elbow street 90 degrees 1/4"	2
72	060-0062	070202	Copper valve seat gasket	5
73	077-0070	701029	Cap rear	1
74	096-0009	728000	Weight unloader	2
75	107-0015	100100	Pin - hinge	2
76	114-0012	728002	Holder unloader	1
77	046-0183	070245	Gasket Set	1

**1-866-850-6662**

**Si vous avez besoin  
d'assistance avec l'assemblage  
ou l'opération de ce compresseur,  
s'il vous plaît appelez le**

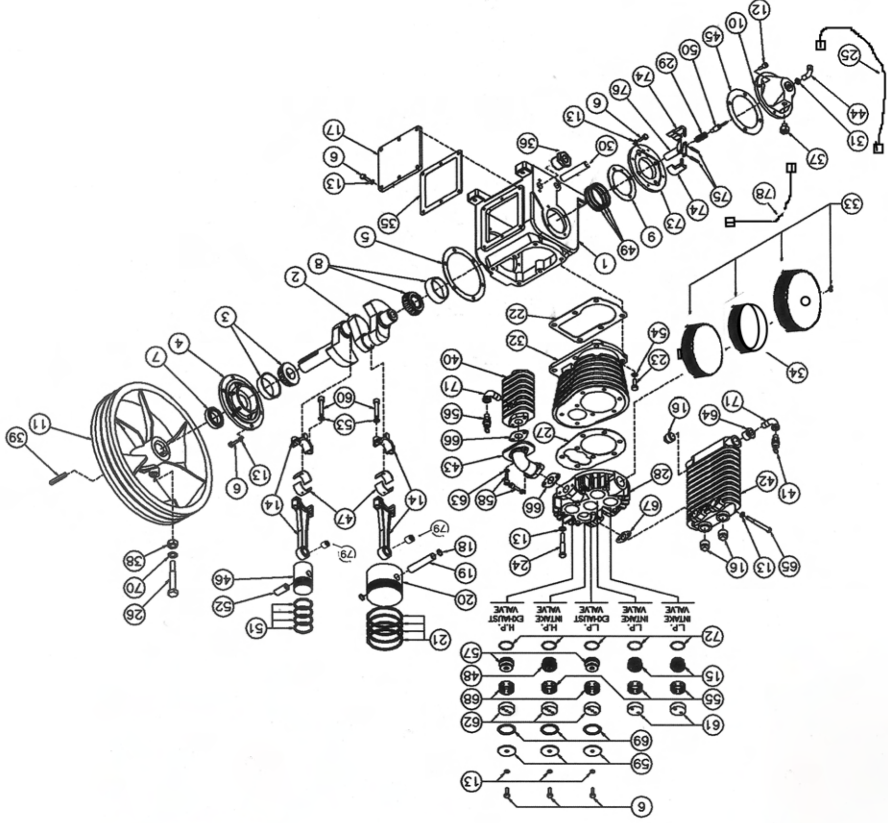
**If you need assistance with the  
assembly or operation of your  
Compressor please call**

**1-866-850-6662**

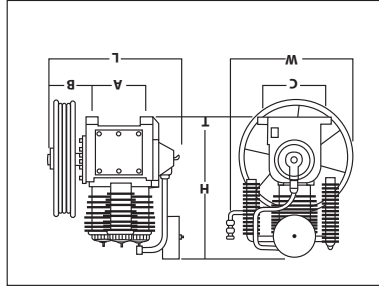
44	031-0057	704000	Soupape et déchargement du coude	1
45	046-0171	070166	Couvercle du déchargeur du joint d'étanchéité	1
46	048-0081	720002	Piston - HP	1
47	051-0055	050122	Tige - demi-coussinet	1
48	043-0100	727001	Soupape - entrée lp	A/R
49	046-0177	090095	Cale ajustement du roulement ,015	and/or
49	046-0176	090094	Cale ajustement du roulement ,010	and/or
49	046-0175	090093	Cale ajustement du roulement ,005	and/or
50	078-0011	728003	Déchargeur de la plongée	1
51	054-0178	719088	Bagues de piston hp	1
52	052-0028	729006	Piston hp d'axe de tige	1
53	060-0063	130060	Rondelle de blocage 10	4
54	060-0063	070203	Joint d'étanchéité en cuivre	6
55	043-0094	727003	Espaceur de soupape d'entrée	3
56	136-0007	722007	Soupape de sûreté 200 psi asme	1
57	043-0100	727002	Soupape hp/décharge lp	2
58	059-0158	110106	Capuchon vis skt tête 8 x 25	4
59	077-0073	727136	Couvercle de soupape	3
60	059-0154	110102	Capuchon vis skt tête m10 x 45	4
61	058-0082	727134	Bague d'arrêt de soupape d'entrée	2
62	058-0083	737135	Soupape de décharge de retenue	3
63	060-0070	130058	Rondelle de blocage 8	4
64	063-0006	160002	Raccordement conique 3/4 po x 1/4 po fntp	1
65	059-0157	110105	Capuchon vis hex m8 x 85	4
66	046-0172	070167	Joint d'étanchéité du refroidisseur final	2
67	046-0173	070169	Joint d'étanchéité du refroidisseur intermédiaire	2
68	043-0095	727004	Espaceur de soupape de décharge	2
69	046-0174	070170	Couvercle de la soupape du joint d'étanchéité	3
70	060-0069	130057	Rondelle de blocage 16	1
71	064-0022	160003	Coude 90 degrés 1/4 po	2
72	060-0062	070202	Joint de siège de la soupape en cuivre	5
73	077-0070	701029	Bouchon arrière	1
74	096-0009	728000	Déchargeur de poids	2
75	107-0015	100100	Tige - charnière	2
76	114-0012	728002	Déchargeur de support	1
77	046-0183	070245	Ensemble de joints d'étanchéité	1

Élément	CAS #	Pièce	Description	Qté
1	049-0027	708000	Carter	1
2	053-0051	709000	Vilbrequin	1
3	051-0053	050170	Roulement avant	1
4	045-0044	701000	Support du roulement avant	1
5	046-0168	070163	Bouchon avant du joint d'étanchéité	1
6	059-0166	110117	Capuchon vis hex m8x20	21
7	046-0179	060068	Joint - tige	1
8	051-0054	050172	Roulement arrière	1
9	046-0227	070172	Bouchon arrière du joint d'étanchéité	1
10	077-0071	728004	Plaque d'adaptation centrifuge	1
11	044-0037	713002	Volant-moteur 16 7/8 po	1
12	059-0156	110104	Bouchon à vis skt hd m8x20	4
13	060-0061	070201	Joint d'étanchéité en cuivre	14
14	047-0054	705000	Tige de liaison aluminium avec douille	2
15	043-0098	727000	Soupape - entrée lp	2
16	062-0006	160004	Bouchon d'huile 3/4 po npt	4
17	077-0069	020146	Couvercle du côté du carter	1
18	054-0119	200100	Anneau élastique interne	2
19	052-0027	729000	Àxe de piston - piston lp	1
20	048-0054	720000	Piston lp 105mm	1
21	054-0179	719064	Bague de piston lp	1
22	046-0167	070162	Cylindre du joint d'étanchéité du carter	1
23	059-0159	110107	Capuchon vis hex 10 x 25	6
24	059-0167	110111	Capuchon vis hex 12 x 70	8
25	046-0178	070171	Verrouillage du joint d'étanchéité	1
26	059-0163	110108	Capuchon vis hex 16 x 80	1
27	046-0166	070161	Joint d'étanchéité de la culasse	1
28	042-0055	710000	Culasse	1
29	055-0051	723003	Déchargeur de ressort	1
30	062-0004	160005	Bouchon d'huile 3/8 po npt	1
31	058-0084	120058	Verrouillage du réglage d'écart	1
32	050-0030	711000	Cylindre	1
33	019-0097	712000	Entrée de filtre	1
34	019-0023	712114	Élément de filtre	1
35	046-0169	070164	Couvercle du joint d'étanchéité	1
36	032-0031	731004	Verre d'observation à brides	1
37	056-0018	703007	Renfillard	1
38	058-0086	120060	Écrou hexagonal - m16	1
39	146-0015	080029	Volant-moteur clé	1
40	082-0014	706004	Refruidisseur final	1
41	136-0046	722005	Soupape de sûreté 75 psi	1
42	082-0012	706000	Refruidisseur intermédiaire	1
43	083-0009	706002	Coude du refroidisseur final	1

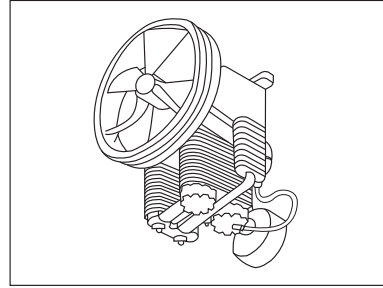
LISTE DES PIÈCES CA1 ET CA1U



5-7.5 hp électrique  
8-15 hp Gaz/diesel  
Deux étapes  
Fonte  
Modèle CA1

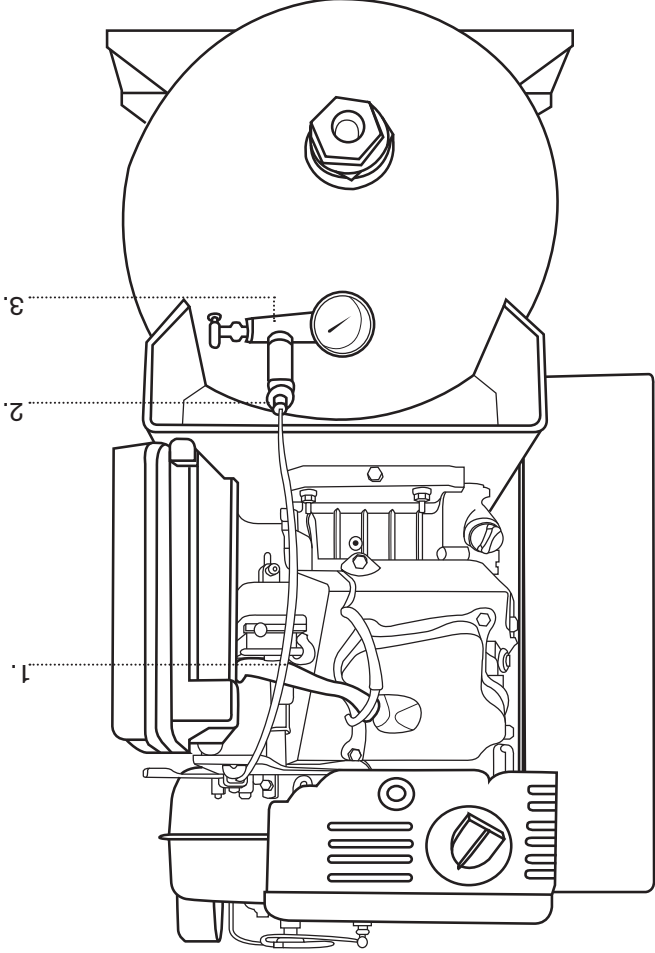


Dimensions		Poids		H	W	L	C	B	A
OTÉ Conteneur	de 20 pi	kg	lb						
144	216	102	225	20	17	18	9,0	5,63	197
de 40 pi	OTÉ Conteneur	508	432	20	17	18	9,0	5,63	197

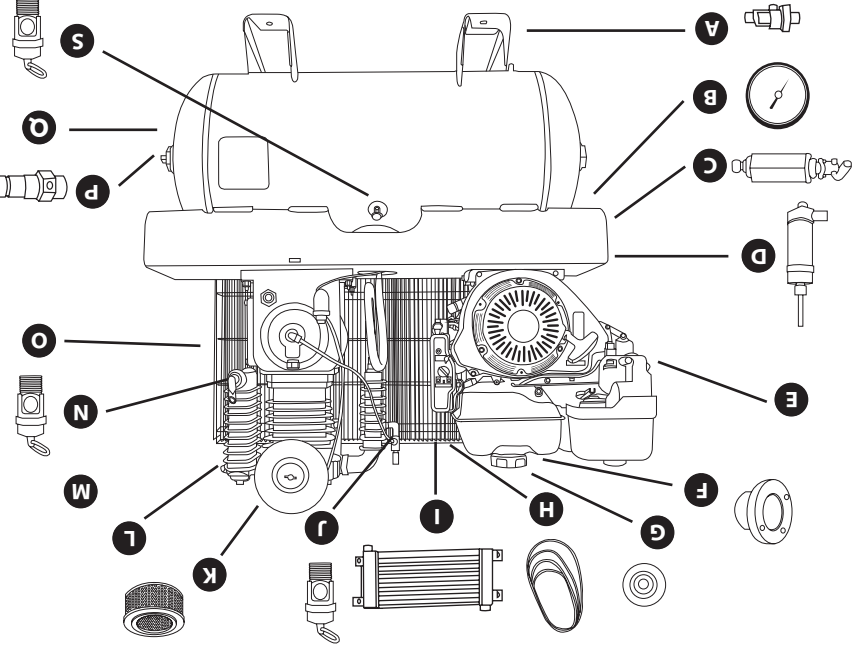


CA1 ET CA1U

Performance		Cylindres	Pression	Piston LP	Piston HP	Temps	TR/MIN	Déplacement	Air livré	Efficacité %	Diamètre du volant-moteur	Type de rainure
HP	KW											
7,5	5,48	2	1,21	105	55	89	1400	31	21,7	72,5	17	1/B
8,5	6,10	2	1,21	105	55	89	1400	31	21,7	72,5	17	1/B
145	175	2	1,21	105	55	89	1400	31	21,7	72,5	17	1/B
1,0	1,21	2	1,21	105	55	89	1400	31	21,7	72,5	17	1/B
5,63	144	2	1,21	105	55	89	1400	31	21,7	72,5	17	1/B
5,63	144	2	1,21	105	55	89	1400	31	21,7	72,5	17	1/B
144	197	2	1,21	105	55	89	1400	31	21,7	72,5	17	1/B
144	197	2	1,21	105	55	89	1400	31	21,7	72,5	17	1/B



1. Câble d'accélérateur du fouet  
 2. Fouet (manette de poussée)  
 3. Soupape pilotée (dispositif de contrôle de pression d'air)



Numéro de pièce	Description
A	Drainage de réservoir automatique
B	Clapet de non-retour
C	Soupape régulatrice de pression
D	Manette de poussée
E	Jauge de pression
F	Moteur à essence
G	Poulie du moteur
H	Courroies
I	Réducteur de garde-courroie
J	Soupape de sûreté de la décharge 250 psi
K	Pompe à essence/diesel de 10-15 hp
L	Filtre à air
M	Protection de la courroie
N	Soupape de sûreté du refroidisseur intermédiaire 70 psi
O	Boîtier de la batterie
P	Soupape de sûreté du réservoir 200 psi
Q	Réservoir 30 gallons
A	IAT-WV1
B	IAT-CTB34X34
C	IAT-RCB-MHU160/175
D	IAT-TCL1-36
E	IAT-PSB20
F	8HP KOHLER(IAT-PS95108) 8HP HONDA (GX270) 13HP HONDA (IAT-GX390K1C) 15HP KOHLER (IAT-44502) 10HP DIESEL (IAT-15LD400) 14HP KOHLER (CH-440)
G	IAT-LP2B495H
H	IAT-B72
I	IAT-M15-AL
J	IAT-ST25-250
K	IAT-CA1-U
L	IAT-019-0023, L1, IAT-14
M	IAT-BG5X18X32X110G
N	IAT-ST25-70
O	IAT-BATTERYBX
P	IAT-ST25-200
Q	IAT-300562

6. Activer manuellement les soupapes de sûreté en tirant l'anneau ou le levier.
7. Vérifier le fonctionnement des contrôles.
8. Après deux jours de fonctionnement, vérifier la tension de la courroie, la tuyauterie d'air pour des fuites, et le niveau d'huile du carter.

### Arrêt pour maintenance ou service

#### **ATTENTION**

Ne jamais supposer que le compresseur est prêt pour un entretien ou une réparation lorsqu'il est à l'arrêt. La commande automatique d'arrêt/démarrage peut démarrer le compresseur à tout moment!

La procédure suivante doit être suivie pour maximiser la sécurité lors de la réparation de l'appareil pour un entretien ou une réparation.

1. Désactiver le commutateur à clé du moteur et retirer la clé du compresseur.
2. Fermer la soupape d'arrêt (vanne d'isolement) entre le récepteur et le compresseur, ou entre le récepteur et le système d'air, pour empêcher tout écoulement d'air dans la zone à réparer.
3. Débrancher la connexion de la batterie au moteur du compresseur.
4. Verrouiller la soupape d'évacuation de l'air dans la position ouverte et attendre que la pression des sections à entretenir (compresseur, récepteur, etc.) Soit complètement soulagée avant de commencer l'entretien. La soupape manuelle d'évacuation de l'air peut être près de la vanne de vidange dans le récepteur. Ne jamais retirer un bouchon pour soulager la pression.
5. Ouvrir toutes les soupapes manuelles d'évacuation de l'air dans la zone à réparer.
6. Attendre que l'unité refroidisse avant de commencer l'entretien, (des températures de 125 degrés f peuvent brûler la peau), certaines températures de surface dépassent 400 degrés f lorsque le compresseur est en marche).
7. Nettoyer les déversements d'huiles immédiatement pour éviter de glisser.

### Entretien

#### PROCÉDURES DE SÉCURITÉ

Le respect des procédures de travail sécuritaires est important pour le personnel de service au moment de l'entretien et pour ceux qui, à une date ultérieure, peuvent être autour du compresseur et du système qu'il sert. L'entretien de routine assure un fonctionnement sans problème et protège votre investissement. Toutes les garanties sont annulées si l'entretien est négligé.

#### TOUS LES JOURS

**Vérifier le niveau d'huile.** Maintenir le niveau au centre de la vitre d'observation avec du non-détergent 30w.

**Egoutter le réservoir.** Couper l'alimentation du compresseur et vidanger toute l'humidité de la partie inférieure du réservoir.

#### CHAQUE SEMAINE

**Nettoyer l'huile.** Si l'huile semble contaminée par de l'humidité ou de la saleté, la changer immédiatement.

**Vérifier les courroies en V.** Désactiver le compresseur et inspecter les courroies pour tout dommage, toute usure excessive et une bonne tension. La remplacer si nécessaire.

**Tester la soupape de sûreté.** Tirer l'anneau sur la soupape de sûreté. L'air doit s'échapper puis se réinitialiser. Dans le cas où le compresseur reçoit plus de pression, la soupape de sûreté permettrait de réduire à un niveau sûr la pression du réservoir. Ne jamais faire fonctionner l'appareil sans cette soupape de sûreté ou tenter de la régler.

**Inspection générale.** Vérifier le fonctionnement général de l'appareil. Serrer les boulons desserrés, inspecter les fuites d'air et vérifier les bruits ou les vibrations inhabituels.

#### TOUS LES 3 MOIS OU 500 HEURES DE FONCTIONNEMENT

**Changer l'huile.** Remplir avec de l'huile non détergente 30w.

**Inspecter les soupapes et les plaques du compresseur.** Les soupapes du compresseur sont fabriquées en acier inoxydable de haute qualité pour une longue durée. Inspecter et nettoyer les soupapes et les plaques de soupape avec une brosse à poils durs. Ne pas utiliser une brosse en acier ou métallique, car cela peut causer des dommages sérieux aux surfaces d'étanchéité. Un solvant de sûreté propre peut également être utilisé pour détacher les dépôts de carbone. Ne jamais utiliser de l'essence, de diluant ou d'autres solutions inflammables pour nettoyer les vanes ou les parties qui y sont reliées. Vérifier que les vanes sont assises contre la surface d'étanchéité autour de chaque port. Si les soupapes ne sont pas étanchées, la capacité du compresseur sera fortement réduite et de la chaleur excessive sera générée, ce qui entraîne une accumulation de carbone.

sectionnement) si le but est d'isoler le compresseur du système, lors de l'entretien.

Éliminer la pression du compresseur et du système d'air en ouvrant la soupape de décharge manuelle appropriée avant l'entretien. Ne pas éliminer la pression du système peut entraîner des blessures graves, la mort et des dommages matériels.

**ATTENTION**

**PROTECTIONS**  
Toutes les actions et tous les mouvements mécaniques sont dangereux à des degrés divers et doivent être surveillés. Les protections doivent être conformes aux normes de sécurité et santé osha 29 cfr 1910.219 dans le manuel osha 2206 et tout code local et étatique.

**ATTENTION**

Des protections doivent être en place avant le démarrage du compresseur et elles ne doivent jamais retirées avant de couper et de verrouiller l'alimentation principale.

**ENTRAÎNEMENTS**

Il est important que le compresseur et les poulies du moteur soient correctement alignés et que la courroie soit correctement tendue. Un mauvais alignement des poulies et de la tension de la courroie est une cause de surcharge du moteur, de vibrations excessives et de bris prématuré de la courroie ou du coussinet.

**ATTENTION**

Retirer ou recouvrir les étiquettes de sécurité entraînera des conditions d'utilisation mal informées. Cela peut entraîner des blessures ou des dommages matériels. Des panneaux et des étiquettes d'avertissements doivent être suffisamment éclairés, placés bien en vue et entretenus pour assurer leur lisibilité. Ne pas retirer les avertissements ou les instructions du produit!

Des dispositions devraient être prises pour que le manuel d'instructions soit facilement accessible au personnel d'opération et d'entretien. Si le manuel est perdu, il doit être remplacé immédiatement. Le manuel d'instructions doit être lu régulièrement afin de rester frais dans la mémoire. Ceci peut prévenir un accident grave ou mortel.

La vitesse excessive du compresseur ou du moteur peut être mortelle. Ne jamais faire fonctionner le compresseur au-delà de la recommandation du fabricant. Éclater le volant-moteur peut être la plus grande menace parce que la protection normale peut ne pas contenir tous les morceaux. Le bris du vilebrequin et de la tige est une possibilité et l'efficacité du compresseur, la vie de la vanne et la vie du roulement seront anormalement réduites.

**ATTENTION**

**Préparation et procédures de démarrage**  
La liste de contrôle suivante doit être respectée avant de mettre le compresseur en marche.

Ne pas effectuer les contrôles peut entraîner des blessures graves ou la mort, des dégâts matériels ou une défaillance mécanique. Débrancher et verrouiller l'alimentation.

**ATTENTION**

1. Retirer toutes les pièces et les outils détachés autour du compresseur.
  2. Vérifier le niveau d'huile dans le carter, en ajouter si nécessaire.
  3. Vérifier tous les branchements sous pression pour leur étanchéité.
  4. S'assurer que toutes les soupapes de sûreté sont en place et qu'elles sont opérationnelles.
  5. S'assurer que toutes les protections sont en place et qu'elles sont solidement fixées.
  6. Vérifier que les fusibles, les disjoncteurs et les surcharges thermiques sont de taille appropriée.
  7. Ouvrir toutes les soupapes d'arrêt manuelles (vannes sectionnement) à la sortie du compresseur et au-delà.
- Les procédures suivantes doivent être suivies pour le démarrage d'une nouvelle installation, après que des modifications ont été apportées à une installation existante, ou après une réparation.
1. Les instructions supplémentaires, fournies par les fabricants du matériel de soutien, doivent aussi être lues et comprises avant le démarrage.
  2. Vérifier le niveau d'huile dans le carter.
  3. Expulser l'humidité du réservoir d'air et des pièges.
  4. Démarrer le compresseur et vérifier pour des vibrations excessives ou des bruits étranges. S'ils sont observés, arrêter le compresseur immédiatement et les corriger.
  5. Vérifier le réservoir d'air ou la pression du système.

**LES SOUPAPES DE SÛRETÉ**

Soupapes de sûreté. Les soupapes de sûreté sont des soupapes de pression et doivent être de la bonne dimension et réglées pour protéger le maillon le plus faible du système. Ne jamais modifier le réglage de la pression; seul le fabricant de la soupape de sûreté peut faire ce changement.

Les soupapes de sûreté doivent être placées devant n'importe quel point de blocage potentiel qui inclus, mais sans s'y limiter, les soupapes d'arrêt, les échangeurs de chaleur, les amortisseurs de pulsations et les silencieux.

**DANGER** ⚠

Les soupapes de sûreté doivent protéger l'intégrité du système conformément aux codes asme et aux normes de sécurité ainsi b19.3.

**RÉSERVOIRS À PRESSION**

Les réservoirs de stockage d'air comprimé et d'autres contenants tels que, mais sans s'y limiter, les bouteilles de pulsatation, les échangeurs de chaleur, les séparateurs et les pièges doivent être conformes au code asme de la section VIII concernant les chaudières et les appareils à pression ainsi qu'ansi b19.3.

**DANGER** ⚠

Ne pas installer correctement les soupapes de sûreté, sans les mesurer ni les régler peut être fatal.

**ATTENTION** ⚠

Les appareils sous pression codés asme ne doivent pas être modifiés, soudés, réparés, reformulés ou soumis à des conditions de fonctionnement en dehors de celles indiquées par les plaques signalétiques. Ces actions vont à l'encontre du statut du code, elles affectent le statut d'assurance et elles peuvent causer des blessures graves, la mort et des dégâts matériels.

**SOUPAPE DE DÉCHARGE MANUELLE ET SOUPAPE D'ARRÊT**

Installer une soupape de décharge manuelle pour évacuer le compresseur dans l'atmosphère. Lorsque le réservoir d'air est utilisé pour un seul compresseur, la soupape de décharge manuelle peut être installée sur le récepteur. Quand une soupape d'arrêt manuelle, et une soupape de sûreté-décharge sont installées en amont de la soupape d'arrêt manuelle. Ces soupapes doivent être conçues et installées de manière à permettre que l'entretien soit fait de façon sécuritaire. Ne jamais substituer un clapet de non-retour pour une soupape d'arrêt manuelle (vanne de

**INSTALLATION**

Nous recommandons l'utilisation de patins en caoutchouc ou d'isolateurs entre les pattes du réservoir et le sol. Si une cale est nécessaire pour stabiliser l'appareil, la placer entre le patin et le plancher. Si l'appareil est fixé au sol, utiliser les boulons comme des broches de guidage et ne pas serrer les boulons. Les patins en caoutchouc sont utilisés pour absorber les vibrations de la machine et ne peuvent fonctionner efficacement que s'ils sont solidement boulonnés.

**SYSTÈME D'INDUCTION**

Ne pas placer le compresseur là où il pourrait ingérer ou enflammer des vapeurs toxiques, explosives ou corrosives, des températures d'air ambiant dépassants 110 degrés f, de l'eau ou de l'air très sale. L'ingestion d'une quelconque des atmosphères indiquées ci-dessus par le compresseur pourrait compromettre la performance de l'équipement et les personnes exposées à l'ensemble du système d'air comprimé.

Des pulsations destructrices peuvent être induites par des compresseurs alternatifs qui pourraient endommager les murs et briser les fenêtres. Les pulsations peuvent être minimisées par l'ajout d'un amortisseur de pulsations sur le côté d'entrée du compresseur.

**AVERTISSEMENT** ⚠

Un compresseur ne doit jamais être placé dans une zone qui peut être exposée à une atmosphère toxique, volatile ou corrosive, et les agents toxiques, volatils ou corrosifs ne doivent jamais être stockés à proximité du compresseur.

**BRUIT**

Le bruit est un danger potentiel pour la santé qui doit être considéré. Des lois locales et fédérales spécifient les niveaux de bruit maximaux acceptables à ne pas dépasser. La majeure partie du bruit d'un compresseur alternatif provient du point d'entrée d'air. Le bruit excessif peut être considérablement réduit par l'installation d'un silencieux d'admission.

**TUYAUTERIE**

Il faut prendre soin d'éviter l'assemblage forcé de la tuyauterie avec le compresseur. Il devrait s'aligner sans avoir besoin de le forcer ou tourner en position. Des boucles de dilatation adéquates doivent être installées pour éviter des contraintes excessives au niveau du compresseur causant des changements entre les conditions chaudes et froides. Les supports de tuyau doivent être installés indépendamment du compresseur et ancrés au besoin pour limiter les vibrations et empêcher les pressions d'expansion.

### Avant le fonctionnement

#### RÉCEPTION ET DÉBALLAGE DE VOTRE COMPRESSEUR

Avant de déballer le compresseur, les étapes suivantes devraient être suivies.

1. Dès la réception du matériel, il devrait être inspecté pour tout dommage qui aurait pu se produire pendant le transport. Si des dommages sont constatés, une inspection doit être immédiatement effectuée par un inspecteur du transporteur. Il est important de lui demander comment présenter une demande d'indemnisation. (voir l'annexe « a » pour plus de détails).
2. S'assurer que que l'équipement adéquat est disponible pour déplacer la machine.
3. Lire la plaque signalétique du compresseur pour s'assurer que le compresseur est le modèle et la taille de la commande.
4. Lire la plaque signalétique du moteur pour s'assurer que le moteur est compatible avec vos conditions électriques. (volts-phase-hertz).

**IMPORTANT:** le moteur du compresseur est livré avec son propre manuel. Consulter le manuel du moteur pour les spécifications ou la résolution des problèmes avec le moteur du compresseur d'air.

#### AVERTISSEMENT

Soulever le système incorrectement peut entraîner des dommages aux composants ou au système ou des blessures. Suivre les bonnes pratiques d'atelier et les procédures de sécurité.

### Description

#### QU'EST-CE QU'UN COMPRESSEUR ALTERNATIF?

Un compresseur alternatif est une pompe à piston qui développe la pression à partir de l'action d'un piston se déplaçant dans un cylindre.

Les cylindres peuvent être verticaux, horizontaux ou angulaires.

Lorsque l'air est aspiré de l'atmosphère et comprimé à sa pression finale en un seul coup, le compresseur est désigné comme une pompe à « phase unique ». Les unités à phase unique sont normalement utilisées dans la gamme de 90 à 125 psi et sont disponibles avec des cylindres simples ou multiples (cylindre double).

Lorsque l'air aspiré de l'atmosphère est comprimé d'abord à une pression intermédiaire, et ensuite comprimée à une pression plus élevée, ceci est fait dans une pompe « à deux étapes ». Ces cylindres sont de taille

ingale et la première étape a toujours lieu dans le plus grand cylindre à basse pression. De là, il passe à travers le dispositif de refroidissement interne vers le plus petit cylindre à haute pression. Le cycle est terminé lorsque l'air se déplace ensuite dans le refroidisseur final et la conduite de retour dans le réservoir. Les compresseurs à deux phases sont généralement utilisés pour les pressions comprises entre 100 et 175 psi et ils fournissent plus d'air par cheval-puissance à ces pressions. Cette augmentation de l'efficacité est en partie due à la chaleur dissipée lorsqu'elle passe à travers le refroidisseur interne.

#### DESCRIPTION DU REFOUILLISSEMENT

Nos compresseurs sont refroidis à l'aide de pales de ventilateur, incorporées dans la poulie, soufflant de l'air à travers le refroidisseur intermédiaire, le refroidisseur final et la tête de cylindre.

#### DESCRIPTION DES CONTRÔLES

L'arrêt et le démarrage ou la pression du système d'air sont contrôlés par un commutateur de pression arrêtant et démarrant automatiquement le compresseur lorsque la pression de l'air atteint un niveau maximal prédéterminé, puis tombe à une pression minimum.

### Installation du compresseur

#### EMPLACEMENT

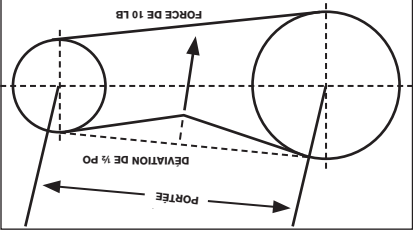
Placer le compresseur dans un endroit propre, sec, bien éclairé et bien ventilé, avec un espace suffisant pour l'inspection et l'entretien. La température ambiante ne doit pas dépasser 110 degrés f ni descendre en dessous de 30 degrés. Des contrôles d'inspection et d'entretien sont nécessaires tous les jours, donc, un large espace est requis autour du compresseur.

Le compresseur ne doit pas être installé à moins de quinze pouces d'un mur ou d'une autre structure solide pour permettre une bonne circulation d'air ou de l'air dans les cylindres et la tête du compresseur, et à travers les refroidisseurs s'ils font partie du système. Une sécurité supplémentaire peut être obtenue en plaçant la protection de poulie à côté de la paroi ou de la structure solide.

**Ajustements et Alignements**

**RÉGLER LA TENSION DE LA COURROIE**

La tension de la courroie et l'alignement des poulies doivent être maintenus pour l'efficacité et la durée de vie maximale de la courroie. La tension est correcte si une déviation de 1/2 pouce se produit en plaçant 10 lb de force à mi-chemin entre la poulie du moteur et le volant-moteur du comp-



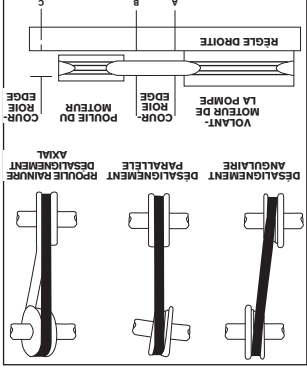
1. Retirer la protection de la courroie.
2. Desserer les boulons de fixation au moteur.

3. Déplacer le moteur de façon à atteindre la bonne déviation.
  4. Resserer les boulons de fixation au moteur.
  5. S'assurer que la tension reste correcte après le serrage.
  6. Réinstaller la protection de la courroie. Toutes les pièces mobiles doivent être protégées.
- Remarque : la tension de la courroie et l'alignement de la poulie sont effectués en même temps. Ils sont examinés séparément pour plus de clarté.

**ALIGNEMENT DE LA POULIE**

La figure ci-contre montre trois exemples de poulies mal alignées. Pour vérifier l'alignement des poulies, retirer la protection de la courroie et placer une règle droite contre le volant-moteur du compresseur, mesurer et enregistrer la distance entre la règle droite et le bord de la courroie. Ensuite, mesurer la distance au bord de la courroie sur la poulie du moteur au même bord. Tant que les deux points sont mesurés à la même distance, les poulies seront alignées. Sinon, il faut déplacer la poulie jusqu'à ce qu'elle soit alignée. Ceci peut nécessiter quelques essais. Pour réaligner la poulie, suivre les étapes ci-dessous.

1. Desserer les boulons de fixation au moteur.
2. Retirer la protection de la courroie.
3. Desserer la vis sur la poulie du volant-moteur du compresseur.
4. Aligner la poulie de moteur avec le volant-moteur du compresseur.
5. Resserer les vis de la poulie du moteur.
6. Régler la tension de la courroie.
7. Resserer les boulons de fixation au moteur.
8. Réinstaller la protection de la courroie.



**Entreposage**

**TOUS LES 3 MOIS**

Changer l'huile pour s'assurer que le niveau d'huile du compresseur est correct et que l'huile dans la machine ne se détériore pas au-delà des spécifications du fabricant.

Inspecter les soupapes pour éviter une défaillance prématurée et nettoyer le carbone qui peut se former dans les soupapes plus vieilles. \* Les unités d'élite nettoient le filtre de la vidange automatique du réservoir et en assurent le fonctionnement correct.

Vérifier que le commutateur de pression fonctionne correctement. Vérifier que le clapet de non-retour fonctionne correctement et retirer toute accumulation de carbone pour éviter la défaillance prématurée. \* Nettoyer les refroidisseurs des protections de la courroie (le cas échéant).

**ENTREPOSAGE DU COMPRESSEUR**

Avant de ranger le compresseur pour une période de temps prolongée, utiliser une soufflette pour nettoyer tous les débris. Couper l'alimentation principale et désactiver le commutateur. Egoutter le réservoir à pression, nettoyer le filtre à air, laisser l'huile s'écouler et la remplacer par de l'huile neuve. Recouvrir l'unité pour empêcher que la poussière et l'humidité ne s'accumulent sur l'appareil.

Entretien du compresseur

<b>⚠ AVERTISSEMENT</b>
<p>Afin d'éviter les blessures, toujours désactiver la clé du moteur et la retirer du compresseur, relâcher toute la pression d'air du système et débrancher les connexions d'alimentation de la batterie avant de commencer l'entretien du compresseur.</p>

**QUOTIDIENNEMENT**

Égoutter le récepteur. De la condensation se forme dans le réservoir tous les jours et elle doit être égouttée au moins une fois par jour. Ceci est fait pour réduire la corrosion de l'intérieur du réservoir à partir. Toujours porter des lunettes de protection lors de la vidange du réservoir. Vérifier le niveau d'huile de la pompe. Toutes les unités ont une vitre d'observation. Le niveau d'huile des unités qui ne sont pas en marche devrait être supérieur à la 1/2 sur la vitre d'observation. S'il est inférieur, il faut ajouter de l'huile jusqu'à ce qu'il soit au moins à la 1/2 de la vitre d'observation.

Vérifier que l'unité n'émet pas de bruits ou de vibrations inhabituels.

**HEBDOMADAIREMENT**

Nettoyer le filtre à air pour s'assurer qu'aucune saleté ou particule lourde ne pénètre dans les soupapes du compresseur. Nettoyer les parties extérieures du compresseur et du moteur électrique. Ceci permet d'assurer le refroidissement et empêche l'apparition de rouille et de corrosion sur les pièces critiques. Vérifier les soupapes de sûreté afin de s'assurer qu'elles ne sont pas collées en place et qu'elles fonctionnent correctement.

**MENSUELLEMENT**

Vérifier que le système d'air n'a pas de fuites pour s'assurer que le compresseur ne sorte pas de son cycle de travail. Vérifier que l'huile n'est pas contaminée pour s'assurer que les dépôts nuisibles ne s'accumulent pas dans l'huile. Vérifier la tension des courroies pour s'assurer qu'elles ne se brisent pas prématurément. Les serrés au besoin pour s'assurer qu'elles ne glissent pas. Si les courroies sont lâches, les serrer en suivant les instructions de la page suivante. Ne pas les serrer peut causer une défaillance prématurée des courroies.

**Problème**      **Possible Cause**      **Solution**

<p>La pompe de compresseur émet un son de trappement.</p>	<p>1. La pompe de volant-moteur sont lâches. 2. Le niveau d'huile dans la pompe du compresseur est bas. 3. Une accumulation de carbone est présente sur la soupape et le piston.</p>	<p>1. Serrer la poulie ou le volant-moteur. 2. Maintenir le niveau d'huile au niveau recommandé pour un bon fonctionnement. 3. Utiliser l'huile recommandée par le fabricant.</p>
<p>Il y a une décharge excessive d'huile dans l'air (tous les compresseurs émettent une petite quantité d'huile résiduelle lors de la compression)</p>	<p>1. La bague de piston ou le cylindre sont usés. 2. L'entrée d'air est restreinte. 3. Le niveau d'huile est trop élevé. 4. Le compresseur a dépassé son cycle de travail.</p>	<p>1. Nettoyer ou remplacer les filtres à air. 2. Réduire le niveau d'huile à la quantité recommandée. 3. Réduire le cycle de travail du compresseur (réparer les fuites ou ajouter une autre unité pour traiter l'excès de la demande).</p>
<p>Le compresseur surchauffe</p>	<p>1. La ventilation est insuffisante. 2. Les surfaces de refroidissement sont sales. 3. Le compresseur est hors de son cycle de travail.</p>	<p>1. Déplacer le compresseur dans une zone mieux ventilée (au moins 18 pouces du mur le plus proche). 2. Nettoyer toutes les surfaces de refroidissement. 3. Réduire le cycle de travail du compresseur (réparer les fuites ou ajouter une autre unité pour traiter l'excès de la demande).</p>
<p>La courroie est excessivement usée.</p>	<p>1. La poulie est désalignée. 2. La tension de la courroie est incorrecte. 3. La poulie est endommagée ou lâche.</p>	<p>1. Réaligner la poulie avec le volant-moteur. 2. Réajuster la tension de la courroie.</p>
<p>Le compresseur ne démarre pas dans des températures froides.</p>	<p>1. Le clapet de non-retour est détectueux. 2. La qualité d'huile du compresseur est incorrecte. 3. Les conduits de commande sont gelés.</p>	<p>1. Utiliser l'huile de compresseur is 100 (30w) par temps froids. 2. Déplacer le compresseur dans un endroit plus chaud. 3. Placer une lampe de chaleur sur le compresseur pour le maintenir au-dessus des températures de congélation.</p>
<p>Le compresseur vibre de façon excessive</p>	<p>1. Le compresseur n'est pas correctement installé sur des patins antivibrations. 2. La poulie du compresseur est désalignée. 3. Le moteur est à court de carburant ou la manette de poussée est déréglée.</p>	<p>1. Installer correctement le compresseur sur des patins antivibrations. 2. Réaligner les poulies. 3. Vérifier les niveaux d'huile et de carburant du moteur. 4. Réajuster la manette de poussée du moteur.</p>

- Suivre toutes les procédures de maintenance et vérifier tous les dispositifs de sécurité comme prévu.
- L'air comprimé est dangereux, il est important de le manipuler avec soin.
- Toujours utiliser le bon lubrifiant.

## Dépannage

### CHARTRE DE DÉPANNAGE

Remarque : les problèmes peuvent avoir des causes et des solutions similaires.

S'assurer que la batterie du moteur est débranchée avant de commencer la maintenance ou la réparation.

**TOUJOURS S'ASSURER QUE LE COMMUTATEUR À CLÉ DU MO-TEUR DU COMPRESSEUR EST DÉACTIVE ET QUE LA CLÉ EST RETIRÉE DU COMPRESSEUR**

Toujours contacter un centre de service autorisé avant de tenter de corriger ou réparer le compresseur d'air.

Solution	Possible Cause	Problème
<ol style="list-style-type: none"> <li>1. Vérifier le niveau de carburant du moteur est bas.</li> <li>2. Inspecter le clapet de non-retour du compresseur.</li> <li>3. Vérifier la bougie d'allumage du moteur.</li> <li>4. Vérifier le niveau d'huile du moteur du compresseur.</li> <li>5. Vérifier l'huile sur la pompe du compresseur.</li> </ol>	<ol style="list-style-type: none"> <li>1. Le niveau de carburant du moteur est bas.</li> <li>2. Le clapet de non-retour du compresseur ne fonctionne pas.</li> <li>3. La soupape pilotée du compresseur ne fonctionne pas.</li> <li>4. La bougie d'allumage du moteur est défectueuse.</li> <li>5. Le niveau d'huile du moteur est bas.</li> </ol>	<p>Le compresseur cale et s'arrête</p>
<ol style="list-style-type: none"> <li>1. Vérifier la soupape pilotée pour s'assurer qu'elle est dans la position appropriée.</li> <li>2. Remplacer la soupape pilotée du compresseur.</li> <li>3. Vérifier et nettoyer les réducteurs de puissance de la tête de pompe du compresseur.</li> </ol>	<ol style="list-style-type: none"> <li>1. La soupape pilotée du compresseur n'est pas activée.</li> <li>2. La soupape pilotée du compresseur est défectueuse.</li> <li>3. Les réducteurs de puissance de la tête de pompe du compresseur ne se désactivent pas.</li> </ol>	<p>Le compresseur fonctionne, mais il ne comprime pas l'air</p>
<ol style="list-style-type: none"> <li>1. Vérifier que la soupape de la manette de poussée fonctionne correctement.</li> <li>2. Remplacer la soupape de la manette de poussée.</li> <li>3. Vérifier la tringlerie de commande des gaz du moteur pour une fuite.</li> </ol>	<ol style="list-style-type: none"> <li>1. La soupape de la manette de poussée ne s'engage pas.</li> <li>2. Le câble de la soupape de la manette de poussée est endommagé.</li> <li>3. La tringlerie de commande des gaz du moteur est endommagée.</li> </ol>	<p>Compresseur ne ralentit pas pour la compression</p>

## Consignes de Sécurité

- Vous trouverez ici une liste non exhaustive de mesures de sécurité qui doivent être observées avec les systèmes d'air comprimé et les compresseurs. Le non-respect de ces avertissements peut entraîner des blessures graves, la mort, et des dommages matériels ou au compresseur.
- L'air de ce compresseur provoquera des lésions graves ou mortelles, s'il est utilisé pour respirer ou pour transformer des aliments.
- L'air utilisé dans ces procédés doit satisfaire aux règlements osha 29 cfr 1910 ou fda 21 178.3570.
- Ce compresseur est conçu pour être utilisé avec de l'air atmosphérique normal seulement. L'entrée d'air du compresseur ne devrait être exposé à aucun autre gaz, vapeur ou fumée; ces substances ne devraient pas être utilisées par le compresseur.
- Débranchez tout bloc d'alimentation du compresseur et des télécommandes avant de commencer l'entretien.
- Libérer toute la pression interne du compresseur avant l'entretien.
- Ne pas dépendre de clapets de retenue pour contenir la pression du système.
- Une soupape de sécurité de taille appropriée doit être installée dans la tuyauterie de retour avant (en amont) de n'importe quelle valve (vanne de sectionnement), échangeur de chaleur, orifice ou à n'importe quel point de blocage potentiel. Ne pas installer une soupape de sécurité pourrait entraîner une rupture ou une explosion de certaines composantes du compresseur ou composantes de sécurité.
- Ne pas modifier le réglage de la pression de la soupape de sûreté, restreindre la fonction de la soupape de sûreté ou remplacer la soupape de sécurité avec un bouchon.
- La surpression de certains systèmes ou composants du compresseur peut se produire et causer des blessures graves, la mort et des dommages matériels.
- Ne jamais utiliser des tuyaux en plastique, des boyaux en caoutchouc ou des joints soudés dans n'importe quelle section du système d'air comprimé. Ne pas assurer la compatibilité du système avec la tuyauterie du compresseur est dangereux.
- Ne jamais utiliser un solvant inflammable ou toxique pour nettoyer le filtre à air ou les pièces.
- Ne pas tenter de réparer une pièce tandis que le compresseur est en marche.
- Ne pas faire fonctionner le compresseur à des pressions dépassant de sa valeur nominale.
- Ne pas retirer pas les protections tandis que le compresseur est en marche.
- Observer les jauges quotidiennement pour s'assurer que le compresseur fonctionne correctement.



Lisez le guide de l'utilisateur entièrement avant d'utiliser l'appareil pour la première fois.

### Utilisation du guide de l'utilisateur

Merci d'avoir choisi notre compresseur! Ce guide de l'utilisateur contient de l'information concernant l'utilisation et l'entretien du compresseur. Assurez-vous de le lire attentivement avant de l'utiliser. Les consignes contenues dans ce guide peuvent aider l'utilisateur à obtenir de meilleurs résultats d'utilisation tout en assurant une utilisation sécuritaire. Tous les informations et diagrammes contenus dans ce guide correspondent aux modèles les plus récents au moment de la publication. Nous mettons beaucoup d'efforts afin que ces informations soient le plus exactes possible. Nous nous gardons le droit de modifier ce guide de l'utilisateur, en tout ou en partie, sans avis préalable ni obligation. Assurez-vous de toujours garder ce guide avec l'appareil, même s'il change de propriétaire.

### Identification du produit

#### COMPRESSEUR

Si vous avez besoin de contacter un Détaillant Autorisé ou le Service à la clientèle (1-866-850-6662) pour de l'information sur l'entretien, veuillez toujours fournir le modèle de l'appareil et les numéros d'identification.

Vous pourrez trouver ces numéros sur l'appareil aux endroits suivants :

#### Date d'achat:

#### Nom du détaillant:

#### Numéro de téléphone du détaillant:

#### Numéro d'identification de produit

#### Numéro de modèle:

#### Numéro de série:

**Introduction**  
4 Utilisation du guide de l'utilisateur

**Spécifications**  
4 Spécifications

**Identification du produit**  
5 Identification du produit

**Dépannage**  
7 Charte de Dépannage

**Entretien du compresseur**  
9 Entretien  
10 Storage

**Ajustements et alignements**  
11 Régler la tension de la courroie  
11 Alignement de la poulie

**Description**  
12 Qu'est-ce qu'un compresseur alternatif?  
12 Description du refroidissement  
12 Description des contrôles

**Avant le fonctionnement**

13 Réception et déballage de votre compresseur

13 Installation du compresseur

13 Emplacement

13 Installation

14 Système d'induction

14 Bruit

14 Tuyauterie

14 Soupapes de sûreté

15 Réservoirs à pression

15 Soupape de décharge manuelle et soupape d'arrêt

16 Protections

16 Entraînements

**Préparation de démarrage**  
17 Préparation de démarrage

**Arrêt pour maintenance**  
18 Arrêt pour maintenance ou service

**Entretien**  
19 Procédures de sécurité  
19 Tous les jours  
19 Chaque semaine  
19 Tous les 3 mois

**Pièces**  
20 Pièces  
21 Description des pièces  
22 CA1 et CA1U  
23 Liste des pièces CA1 et CA1U

GUIDE DE L'UTILISATEUR

**COMPRESSEUR D'AIR  
DE 30 GALLONS**

