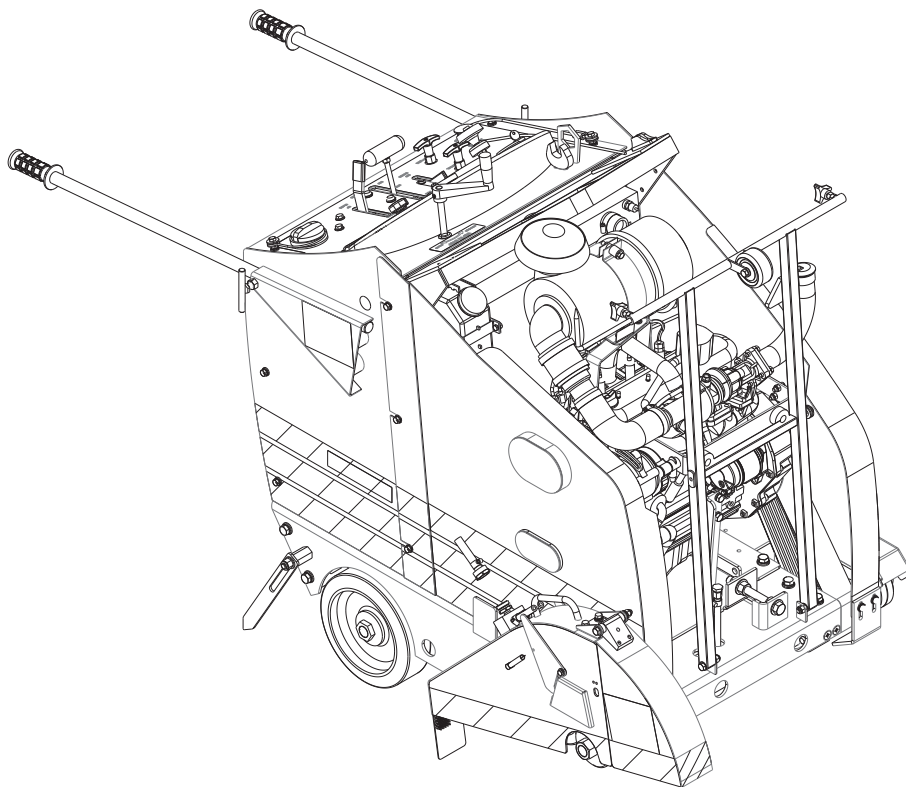


NORTON

clipper

C44 Series 09/2016

**SERVICE SAW SERIES
PARTS LIST
C44 KUBOTA DIESEL SERIES**



Kubota,
Diesel Engine

CAUTION: Read all safety and operating instructions before using this equipment. This manual **MUST** accompany the equipment at all times.

Revision: 104 09/2016
Manual Part# 168498-PM

Congratulations on your purchase of a C44 Series Service Saw. We are certain that you will be pleased with your purchase. Norton Clipper takes pride in producing the finest construction power tools and diamond blades in the industry.

Operated correctly, your C44 Series Service Saw should provide you with years of service. In order to help you, we have included this manual. This owners manual contains information necessary to operate and maintain your C44 Series Service Saw safely and correctly. Please take the time to familiarize yourself with the C44 Series Service Saw by reading and reviewing this manual.

Read and follow all safety, operating and maintenance instructions.



NOTE THIS INFORMATION FOR FUTURE USE:

MODEL NUMBER:	
SERIAL NUMBER:	
PURCHASE PLACE:	
PURCHASE DATE:	

PARTS LIST	PAGE NO.
FIGURE 1 - PARTS LIST: C4420SS CONCRETE SAW - P/N 168498-20	4-5
FIGURE 2 - PARTS LIST: C4420SS CONCRETE SAW - P/N 168498-26	6-7
FIGURE 3 - PARTS LIST: C4420SS CONCRETE SAW - P/N 168498-30	8-9
FIGURE 4 - PARTS LIST: C4420SS CONCRETE SAW - P/N 168498-36	10-11
FIGURE 5 - PARTS LIST: C4400SD CONCRETE SAW - P/N 168498	12-14
FIGURE 6 - PARTS LIST: ASSY, ENGINE, KUBOTA, C44HP - P/N 167507	16-17
FIGURE 7 - PARTS LIST: ASSY, 7" AIR CLEANER - P/N 167509	18
FIGURE 8 - PARTS LIST: ASSY, INSTRUMENT PANEL - P/N 167222-NRT	19
FIGURE 9 - PARTS LIST: ASSY, TRANSMISSION IDLER - P/N 167666	20
FIGURE 10 - PARTS LIST: ASSY, PULLEY, TRANS. BELT, - P/N 167276	21
FIGURE 11 - PARTS LIST: ASSY, C44/48 SUB A - P/N 167197-NRT	22
FIGURE 12 - PARTS LIST: ASSY, C44/48 SUB B - P/N 167197-NRT	23
FIGURE 13 - PARTS LIST: ASSY, C44/48 SUB C - P/N 167197-NRT	24-25
FIGURE 14 - PARTS LIST: ASSY, C44/48 SUB D - P/N167197-NRT	26
FIGURE 15 - PARTS LIST: ASSY, C44/48 SUB E - P/N 167197-NRT	27
FIGURE 16 - PARTS LIST: ASSY, DEPTH STOP - P/N 165710	28
FIGURE 17 - PARTS LIST: ASSY, FUEL TANK - P/N 167210	29
FIGURE 18 - PARTS LIST: ASSY, RADIATOR - P/N 167946-KB	30
FIGURE 19 - PARTS LIST: ASSY, RADIATOR - P/N 169287	31
FIGURE 20 - PARTS LIST: ASSY, RADIATOR - P/N 169287-1	32
FIGURE 21 - PARTS LIST: ASSY, CONTROL PANEL, LESS, INT - P/N 167215-NRT	33
FIGURE 20 - PARTS LIST: ASSY, CONTROLHEAD, FNR - P/N 167226	34
FIGURE 21 - PARTS LIST: ASSY, UP/DOWN CONTROL - P/N 167233	35
FIGURE 22 - PARTS LIST: ASSY, WATER VALVE - P/N 164161	36
FIGURE 23 - PARTS LIST: ASSY, POINTER FRONT - P/N 160931-NRT	37
FIGURE 24 - PARTS LIST: ASSY, REAR POINTER - P/N 163824	38
FIGURE 25 - PARTS LIST: ASSY, SHAFT GUARD - P/N 166056	38
FIGURE 26 - PARTS LIST: ASSY, BLADE SHAFT - P/N 169363	39
FIGURE 27 - PARTS LIST: ASSY, FRAME SUB - P/N 167294	40-41
FIGURE 28 - PARTS LIST: TRUCK, FRONT PIVOT - P/N 165705	42
FIGURE 39 - PARTS LIST: ASSY, HINGE - P/N 163979	43
FIGURE 30 - PARTS LIST: TRANSMISSION - P/N 167198	44-45
FIGURE 31 - PARTS LIST: 20" BLADE GUARD - P/N 168279-20	46-47
FIGURE 32 - PARTS LIST: 26" BLADE GUARD - P/N 168279-26	48-49
FIGURE 33 - PARTS LIST: 30" BLADE GUARD - P/N 168279-30	50-51
FIGURE 34 - PARTS LIST: 36" BLADE GUARD - P/N 168279-36	52-53
FIGURE 35 - PARTS LIST: ASSY, WATER MANIIFOLD 2T - P/N 167624-NRT	54
FIGURE 36 - PARTS LIST: ASSY, WATER MANIIFOLD 4T - P/N 167624-NRT	54

FIGURE 1 - PARTS LIST: C4420SD CONCRETE SAW P/N 168498-20

ITEM NO.	DESCRIPTION	PART #	QTY. REQ.
1	BELT, V, 7/3VX425	138172-7	7
2	NUT, 1-14 RIGHT HAND	138693	1
3	NUT, 1-14 LEFT HAND	138701	1
4	SCREW, SOC HD CAP, 1/4 - 20 X 1	151049	3
5	SCREW, HEX HD 5/16-18 X 3/4	151369	4
6	WASHER, LOCK, SPLIT, 5/16	151747	4
7	WASHER, 5/16 SAE FLAT	151754	4
8	BELT, AX-26	152365	1
9	TAG, SERIAL #, BLANK	157500-RW	2
10	BUSHING, TPR-LOCK, 1615 X 1-3/8	160811	1
11	SCREW, 3/8 - 16 X 1 FLATHEAD MACHINE	162067	4
12	PULLEY, 7/3VX/4.12 X 1615TB	165695	1
13	PLATE, BELT PROTECTOR	165707	1
14	CORNER, FRAME	165871	1
15	ASSY, SHAFT GUARD	166056	1
16	GUARD, ENGINE, LEFT, C44/48	167287-NRT	1
17	SCREW, SOC HD, M10-1.25 X 30MM	167513	6
18	GUARD, ENGINE, RIGHT, C44	167558-NRT	1
19	ASSY, 20" BLADE GUARD	168279-20	1
20	C4400SD CONC SAW, PARENT	168498	1
21	LABEL, C4420SD MODEL	168545-4420	2
22	LABEL, NORTON/CLIPPER LOGO	168546	4
23	ASSY, FLANGE, KEYED, OUTER, 4"	168596-4	2
24	FLANGE, KEYED, INNER, 4"	168598-4	2
25	PULLEY, 7/3VX/3.2 KB	169356-32	1
26	PULLEY, 3VX/4.0, BOLT-ON	169857	1
27	KEY, SQR, 3/8 X 3/4	169371	2

FIGURE 2 - PARTS LIST: C4426SD CONCRETE SAW P/N 168498-26

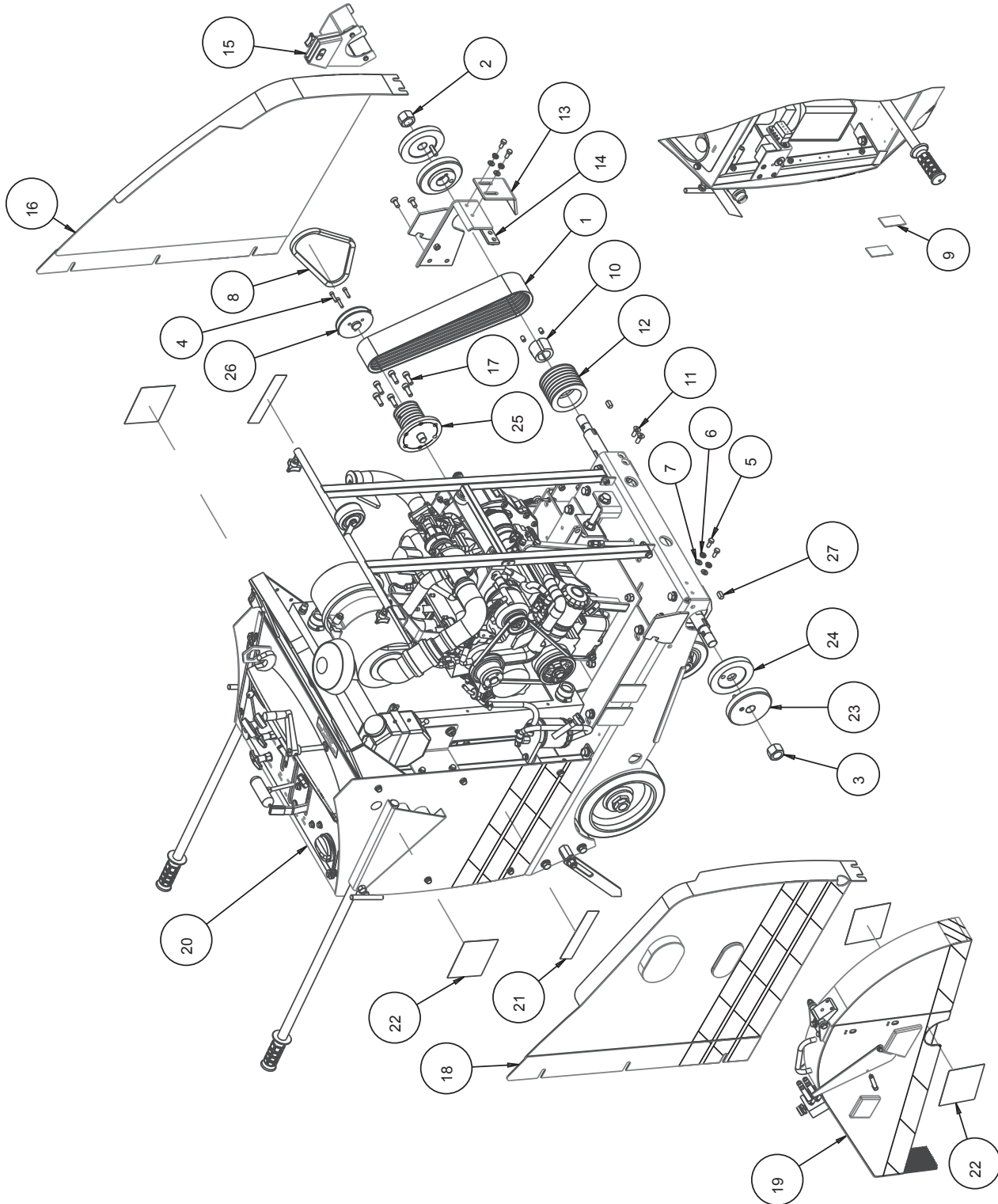


FIGURE 2 - PARTS LIST: C4426SD CONCRETE SAW P/N 168498-26

ITEM NO.	DESCRIPTION	PART #	QTY. REQ.
1	BELT, V, 7/3VX425	138172-7	1
2	NUT, 1-14 RIGHT HAND	138693	1
3	NUT, 1-14 LEFT HAND	138701	1
4	SCREW, SOC HD CAP, 1/4 - 20 X 1	151049	3
5	SCREW, 5/16-18 X 3/4 HEX HEAD MACHINE	151369	4
6	WASHER, LOCK, SPLIT, 5/16	151747	4
7	WASHER, 5/16 SAE FLAT	151754	4
8	BELT, AX-26	152365	1
9	TAG, SERIAL #, BLANK	157500-RW	2
10	BUSHING, TPR-LOCK, 1615 X 1-3/8	160811	1
11	SCREW, 3/8 - 16 X 1 FLATHEAD MACHINE	162067	4
12	PULLEY, 7/3VX/4.12 X 1615TB	165695	1
13	PLATE, BELT PROTECTOR	165707	1
14	CORNER, FRAME	165871	1
15	ASSY, SHAFT GUARD	166056	1
16	GUARD, ENGINE, LEFT, C44/48	167287-NRT	1
17	SCREW, SOC HD, M10-1.25 X 30MM	167513	6
18	GUARD, ENGINE, RIGHT, C44	167558-NRT	1
19	ASSY, 26" BLADE GUARD	168279-26	1
20	C4400SD CONC SAW, PARENT	168498	1
21	LABEL, C4426SD MODEL	168545-4426	2
22	LABEL, NORTON/CLIPPER LOGO	168546	4
23	ASSY, FLANGE, KEYED, OUTER, 5"	168596-5	2
24	FLANGE, KEYED, INNER, 5"	168598-5	2
25	PULLEY, 7/3VX/2.8 KB	169356-28	1
26	PULLEY, 3VX/4.0, BOLT-ON	169857	1
27	KEY, SQR, 3/8 X 3/4	169371	2

FIGURE 3 - PARTS LIST: C4430SD CONCRETE SAW P/N 168498-30

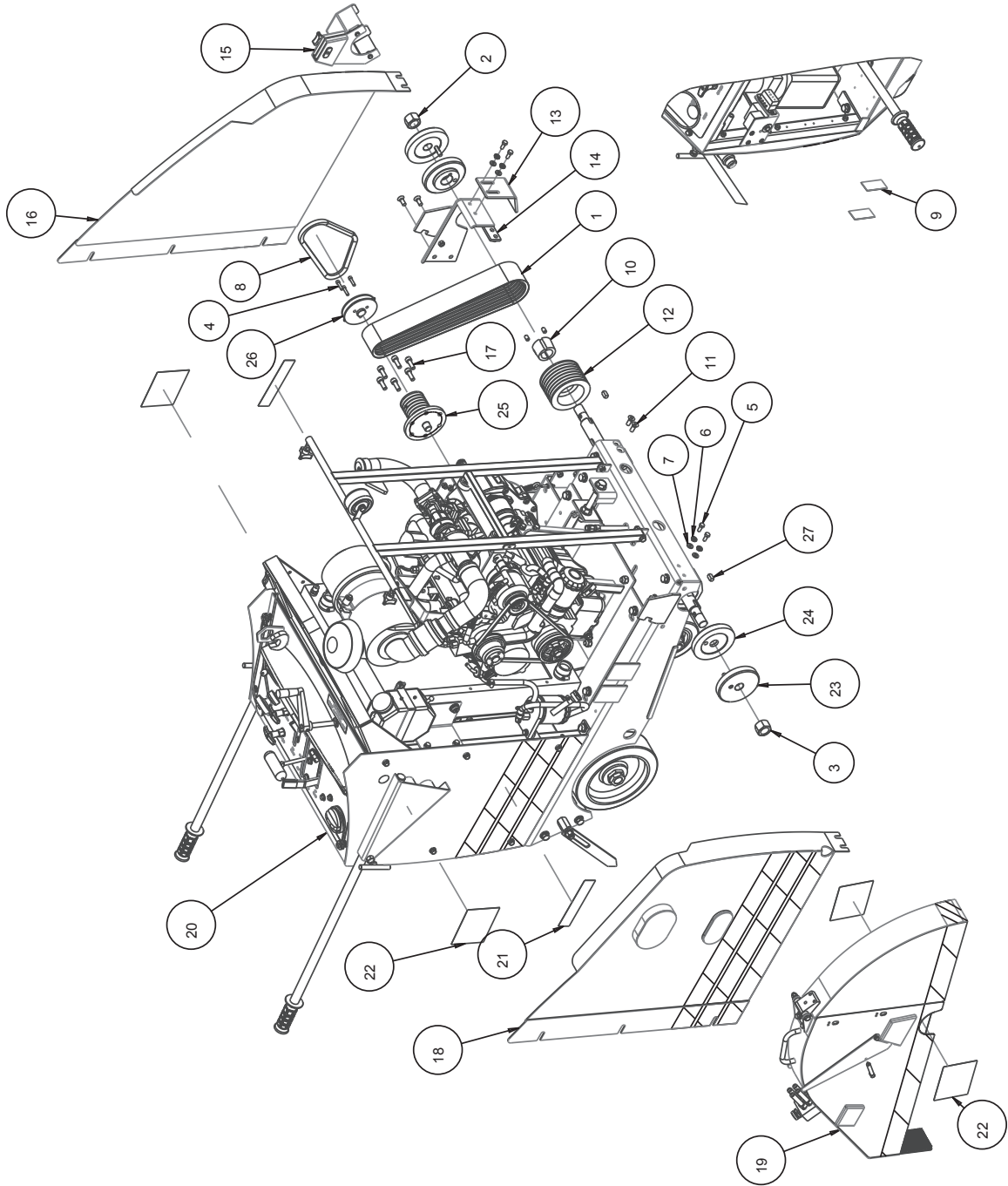


FIGURE 3 - PARTS LIST: C4430SD CONCRETE SAW P/N 168498-30

ITEM NO.	DESCRIPTION	PART #	QTY. REQ.
1	BELT, V, 7/3VX425	138172-7	1
2	NUT, 1-14 RIGHT HAND	138693	1
3	NUT, 1-14 LEFT HAND	138701	1
4	SCREW, SOC HD CAP, 1/4 - 20 X 1	151049	3
5	SCREW, 5/16-18 X 3/4 HEX HEAD MACHINE	151369	4
6	WASHER, LOCK, SPLIT, 5/16	151747	4
7	WASHER, 5/16 SAE FLAT	151754	4
8	BELT, AX-26	152365	1
9	TAG, SERIAL #, BLANK	157500-RW	2
10	BUSHING, TPR-LOCK, 1615 X 1-3/8	160811	1
11	SCREW, 3/8 - 16 X 1 FLATHEAD MACHINE	162067	4
12	PULLEY, 7/3VX/4.12 X 1615TB	165695	1
13	PLATE, BELT PROTECTOR	165707	1
14	CORNER, FRAME	165871	1
15	ASSY, SHAFT GUARD	166056	1
16	GUARD, ENGINE, LEFT, C44/48	167287-NRT	1
17	SCREW, SOC HD, M10-1.25 X 30MM	167513	6
18	GUARD, ENGINE, RIGHT, C44	167558-NRT	1
19	ASSY, 30" BLADE GUARD	168279-30	1
20	C4400SD CONC SAW, PARENT	168498	1
21	LABEL, C4430SD MODEL	168545-4430	2
22	LABEL, NORTON/CLIPPER LOGO	168546	4
23	ASSY, FLANGE, KEYED, OUTER, 5"	168596-5	2
24	FLANGE, KEYED, INNER, 5"	168598-5	2
25	PULLEY, 7/3VX/2.8 KB	169356-28	1
26	PULLEY, 3VX/4.0, BOLT-ON	169857	1
27	KEY, SQR, 3/8 X 3/4	169371	2

FIGURE 4 - PARTS LIST: C4436SD CONCRETE SAW P/N 168498-36

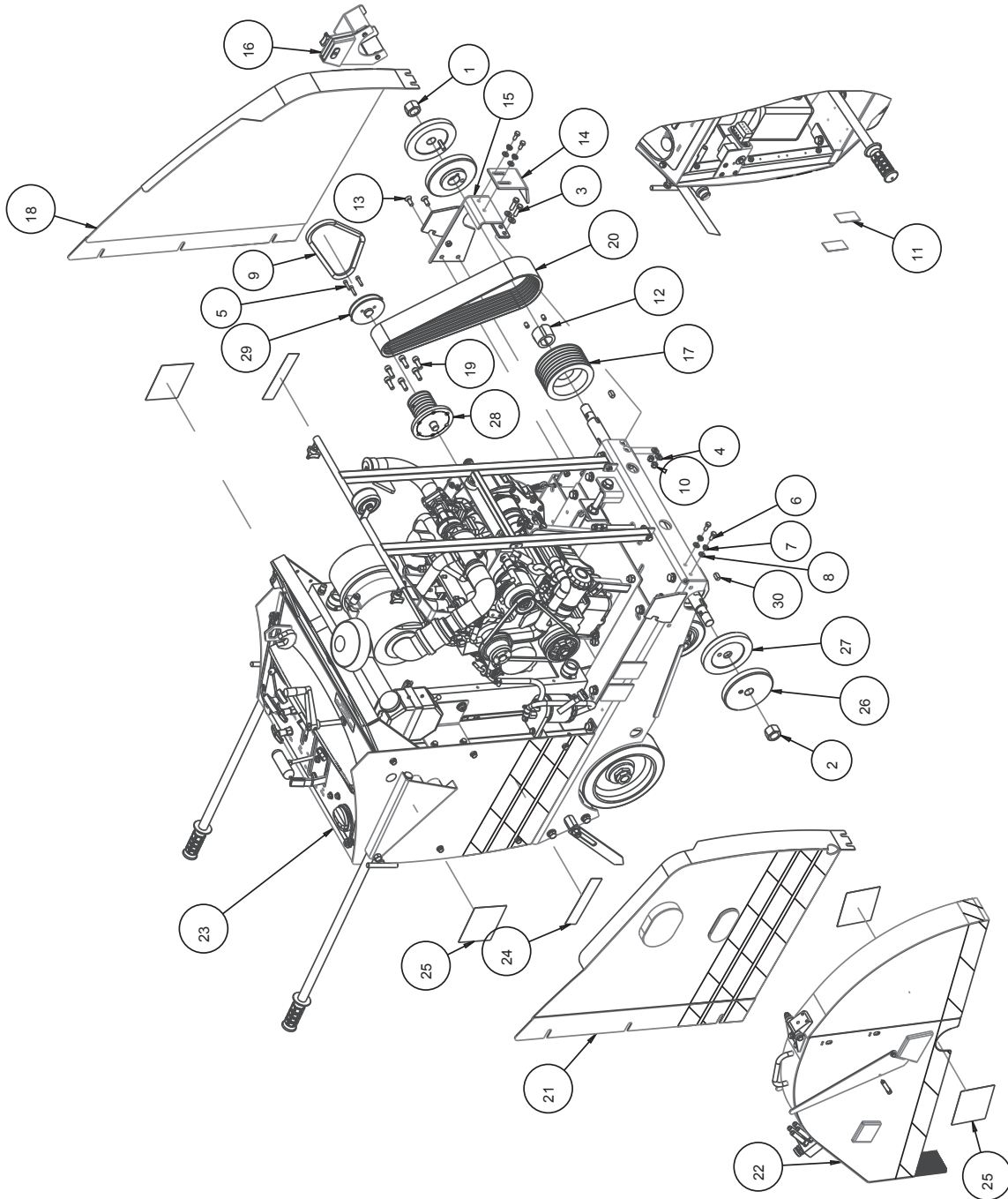
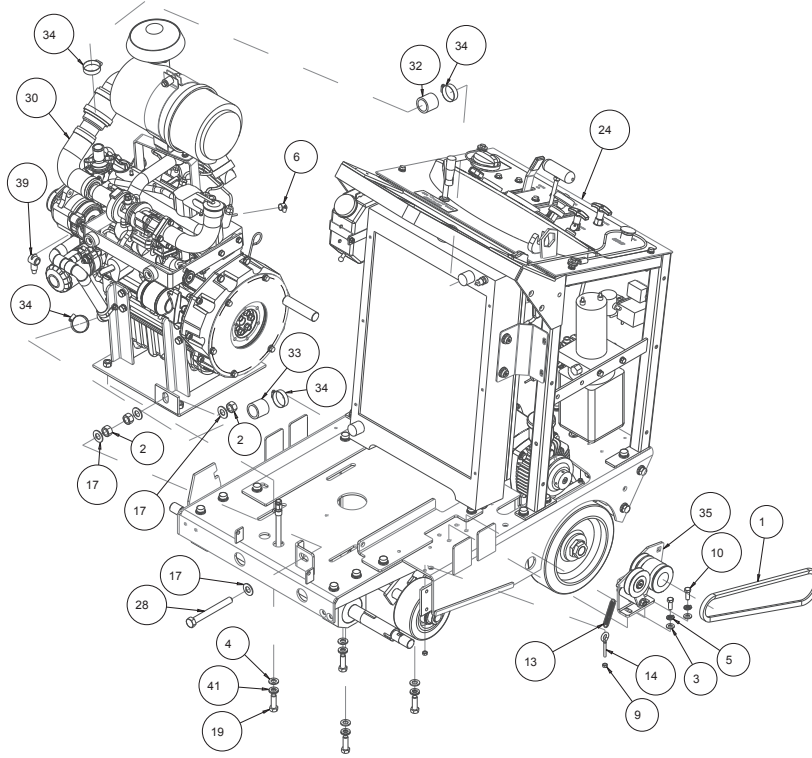


FIGURE 4 - PARTS LIST: C4436SD CONCRETE SAW P/N 168498-36

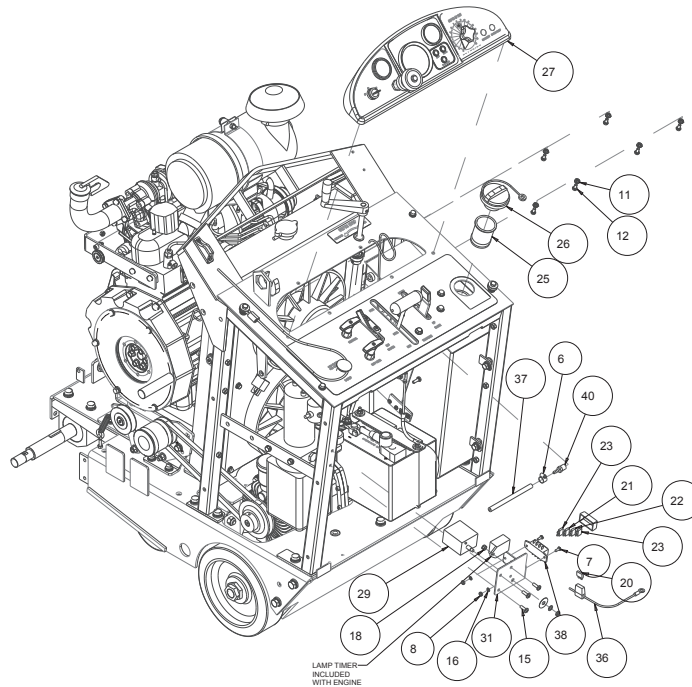
ITEM NO.	DESCRIPTION	PART #	QTY. REQ.
1	NUT, 1-14 RIGHT HAND	138693	1
2	NUT, 1-14 LEFT HAND	138701	1
3	SCREW, 3.8 - 16 X 1- 1/4 HEX HEAD CAP	150774	2
4	WASHER, FLAT, SAE, 3/8	150923	4
5	SCREW, SOC HD CAP, 1/4 - 20 X 1	151049	3
6	SCREW, HEX HD, CAP, 5/16-18 X 3/4	151369	4
7	WASHER, LOCK, SPLIT, 5/16	151747	4
8	WASHER, 5/16 SAE FLAT	151754	4
9	BELT, AX-26	152365	1
10	NUT, HEX, NYLK, 3/8 - 16	152505	2
11	TAG, SERIAL NUMBER, BLANK	157500-RW	2
12	BUSHING, TPR-LOCK, 1615 X 1-3/8	160811	1
13	SCREW, 3/8 - 16 X 1 FLATHEAD MACHINE	162067	4
14	PLATE, BELT PROTECTOR	165707	1
15	CORNER, FRAME 36" BG	165871-36	1
16	ASSY, SHAFT GUARD	166056	1
17	PULLEY, 7/3VX/5.75 X 1615TB	167278	1
18	GUARD, ENGINE, LEFT, C44/48	167287-NRT	1
19	SCREW, SOC HD, M10 - 1.25 X 30MM	167513	6
20	BELT, 7/3VX450	167527-7	1
21	GUARD, ENGINE, RIGHT, C44	167558-NRT	1
22	ASSY, 36" BLADE GUARD	168279-36	1
23	C4400SD CONC SAW, PARENT	168498	1
24	LABEL, C4436SD MODEL	168545-4436	2
25	LABEL, NORTON/CLIPPER LOGO	168546	4
26	ASSY, FLANGE, KEYED, OUTER, 6"	168596-6	2
27	FLANGE, KEYED, INNER, 6"	168598-6	2
28	PULLEY, 7/3VX/2.8 KB	169356-28	1
29	PULLEY, 3VX/4.0, BOLT-ON	169857	1
30	KEY, SQR, 3/8 X 3/4	169371	2

FIGURE 5 - PARTS LIST: C4400SD CONCRETE SAW P/N 168498



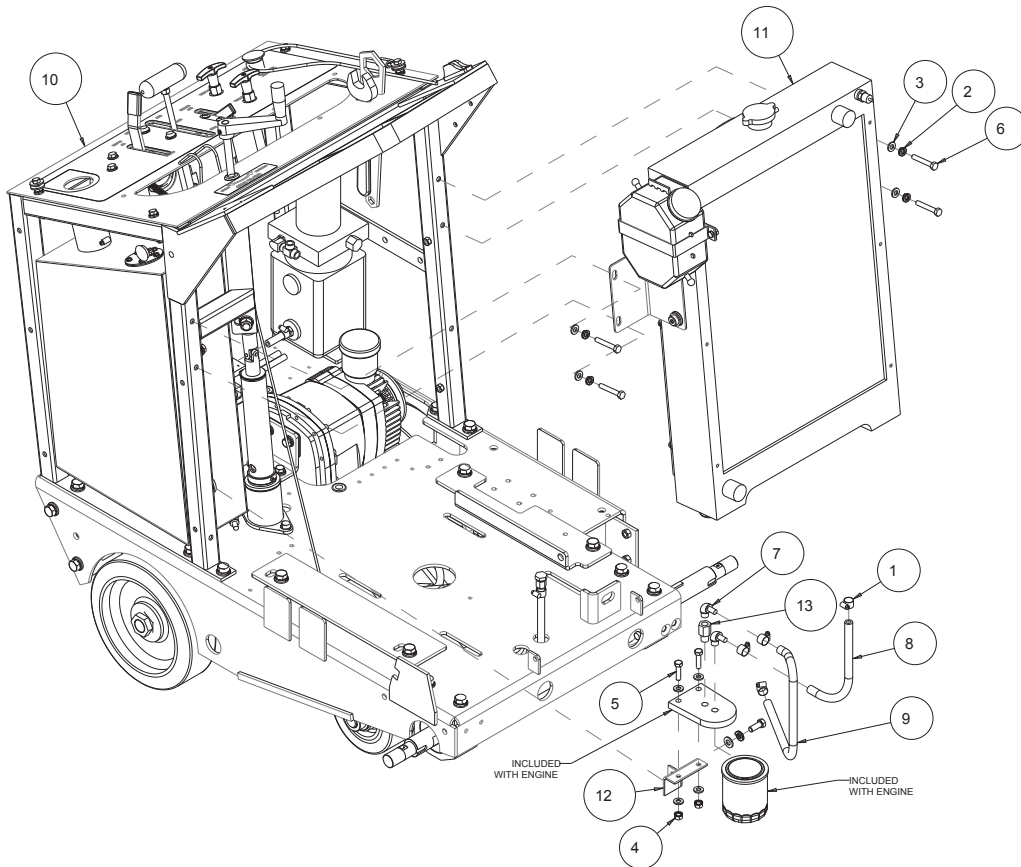
ITEM NO.	DESCRIPTION	PART #	QTY. REQ.
1	BELT, AX-38	133165	1
2	NUT, HEX, 5/8-18	135848	3
3	WASHER, 3/8 SAE FLAT	150923	2
4	WASHER, 1/2 SAE FLAT	150924	4
5	WASHER, 3/8 SPLIT LOCK	150925	2
6	CLAMP, 5/8 HOSE	151198	3
7	SCREW, PAN HD, #10 - 24 X 1/2	151744	2
8	NUT, HEX, 10 -24	151749	2
9	NUT, 1/4-20 HEX	151893	2
10	SCREW, HEX HD CAP, 3/8-16 X 1	152507	2
11	WASHER, 1/4 SPLIT LOCK	152591	6
12	SCREW, 1/4-20 X 1/2 HEX HEAD	152608	6
13	SPRING, 9/16 X 2.5 EXTENSION	153807	1
14	EYEBOLT, 1/4-20 X 2	153887	1
15	SCREW, 1/4-20 X 3/4 PAN HD	157523	3
16	WASHER, LOCK, IT, #10	158336	2
17	WASHER, FLAT, 5/8 SAE	158350	4
18	NUT, 1/4-20 NYLOK	159857	1
19	SCREW, 1/2-13 X 1-1/2 HEX FLANGE HEAD, RIGHT HAND	160819	4
20	FUSE, 40A ATC BLADE	164595	1

FIGURE 5 - PARTS LIST: C4400SD CONCRETE SAW P/N 168498



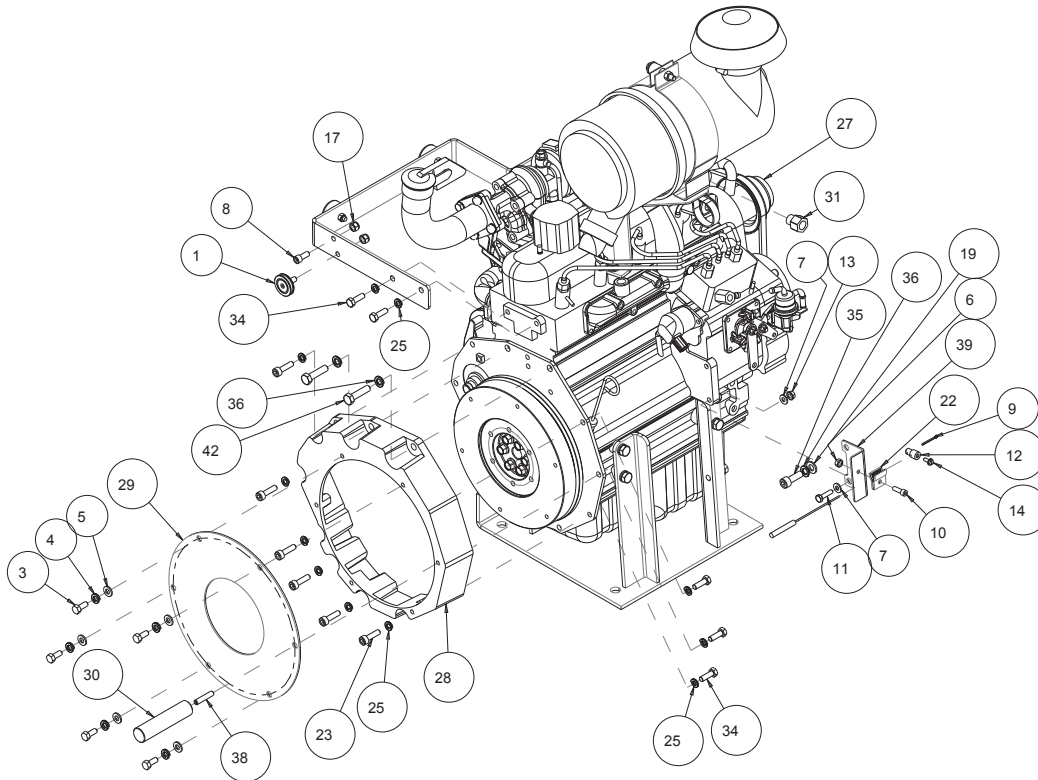
ITEM NO.	DESCRIPTION	PART #	QTY. REQ.
21	FUSE, 20A ATC BLADE	164596	1
22	FUSE, 10A ATC BLADE	164597	1
23	FUSE, 5A ATC BLADE	164598	2
24	ASSY, C44/48 SUB	167197-NRT	1
25	NECK, 2" FUEL FILLER	167219-D	1
26	CAP, 2" FUEL FILLER	167220	1
27	ASSY, INSTRUMENT PANEL	167222-NRT	1
28	SCREW, HEX, TAP, 5/8-11 X 5-1/2	167279	1
29	SWITCH, MAGNETIC, 12/24V, MDL117	167502	1
30	ASSY, ENGINE, 44HP KB	167507	1
31	BRACKET, FUSEBOX, KB	167536	1
32	HOSE, RADIATOR, 1-1/4ID, UPPER, KB	167559	1
33	HOSE, RADIATOR, 1-1/4ID, LOWER, KB	167560	1
34	CLAMP, 1 - 1/16 TO 2 HOSE	167617	4
35	ASSY, TRANS IDLER, KB	167666	1
36	WIRE HARNESS, KB	167672	1
37	HOSE, FUEL, 3/16ID (6.0')	167674	1
38	BLOCK, FUSE, 4 - SLOT	169148	1
39	COVER, 8-4 AWG TERMINAL RED	169355	1
40	FITTING, 1/4 MNPT X 3/16 BARB	169361	1
41	WASHER, CHROMATE, 1/2, PAIR	169691	4

FIGURE 5 - PARTS LIST: C4400SD CONCRETE SAW P/N 168498



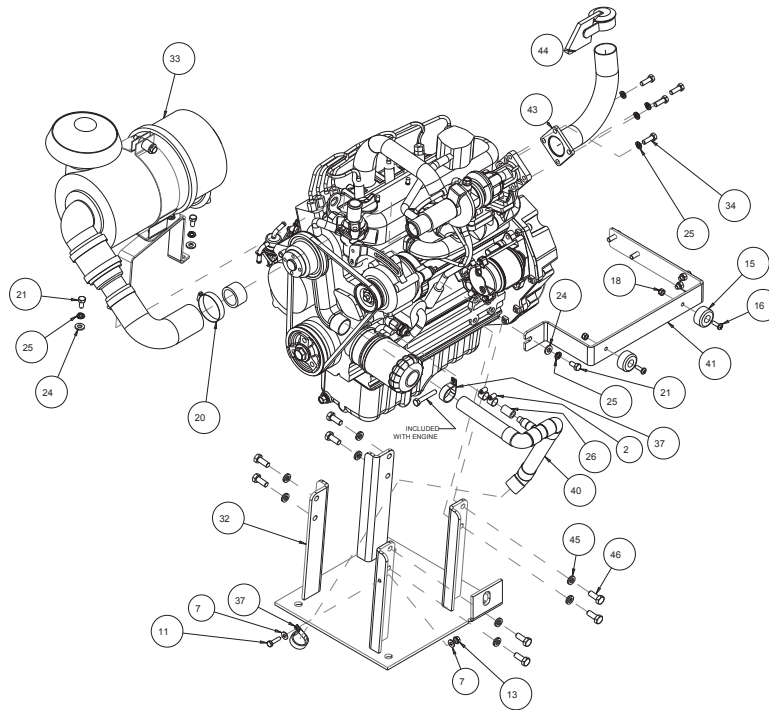
ITEM NO.	DESCRIPTION	PART #	QTY. REQ.
1	CLAMP, 5/8 HOSE	151198	4
2	WASHER, LOCK, SPLIT, 5/16	151747	4
3	WASHER, FLAT, SAE, 5/16	151747	4
4	NUT, HEX, 5/16-18 X 1 -1/4	153950	2
5	SCREW, HEX HD, 5/16 - 18 X 1 - 1/4	153950	2
6	SCREW, 5/16 - 18 X 2 HEX HEAD	155494	4
7	ELBOW, 1/4MNPT X 5/16 BARB, BRASS	164278	2
8	HOSE, 5/16 FUEL, 12"	164958	1
9	HOSE, 5/16 FUEL, 16"	164958	1
10	ASSY, C44/48 SUB	167197-NRT	1
11	ASSY, RADIATOR, KB	167946-KB	1
12	BRACKET, FUEL FILTER, KB	169350	1
13	FITTING, 3/8 MNPT X 1/4 FNPT	169703	1

FIGURE 6 - PARTS LIST: ASSY, ENGINE, KUBOTA 44HP P/N 167507



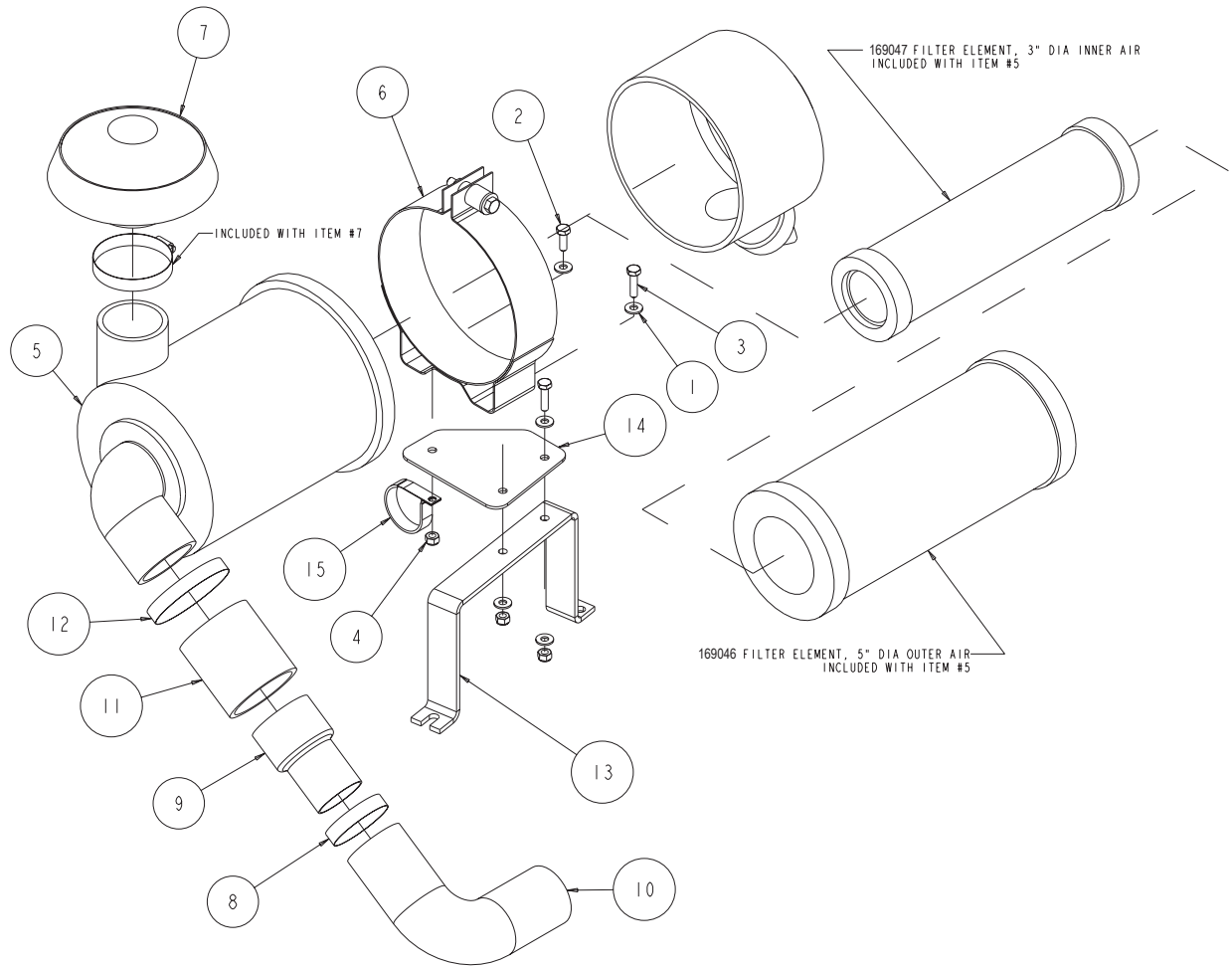
ITEM NO.	DESCRIPTION	PART #	QTY. REQ.
1	WHEEL, CONVEYOR CART	133090	1
2	CLAMP, 5/8 HOSE	151198	2
3	SCREW, 5/16-18 X 3/4 HEX HEAD MACHINE	151369	5
4	WASHER, LOCK, SPLIT, 5/16	151747	6
5	WASHER, 5/16 SAE FLAT	151754	7
6	NUT, 1/4-20 HEX	151893	1
7	WASHER, 1/4 SAE FLAT	151915	4
8	SCREW, SOC HD , 5/16 - 18 X 3/4	152444	1
9	PIN, 1/16 X 3/4 COTTER	152518	1
10	SCREW, 1/4-20 X 3/4 SOCKET HEAD CAP	152587	1
11	SCREW, HEX HD CAP, 1/4-20 X 1	152676	2
12	PIN, WIRE STOP	153842	1
13	NUT, HEX W/WSHR, 1/4-20	153941	2
14	SCREW, HEX HD FL 10-24X 5/16	154172	1
17	BUMPER, 1-1/2 OD X I/4 ID X 3/4	154496	1
18	SCREW, 1/4-20 X 1/2 PAN HEAD PHILLIPS MACHINE	157523	1
19	NUT, 5/16-18 NYLOK HEX	158289	2
20	NUT, 1/4-20 NYLOK	159857	1
21	WASHER, FLAT, N, M10	160203	9
22	CLAMP, 30 SERIES CLAMSHELL CONDUIT	164600	1
23	SCREW, HEX, M8-1.25 X 16MM	164223	2

FIGURE 6 - PARTS LIST: ASSY, ENGINE, KUBOTA 44HP P/N 167507



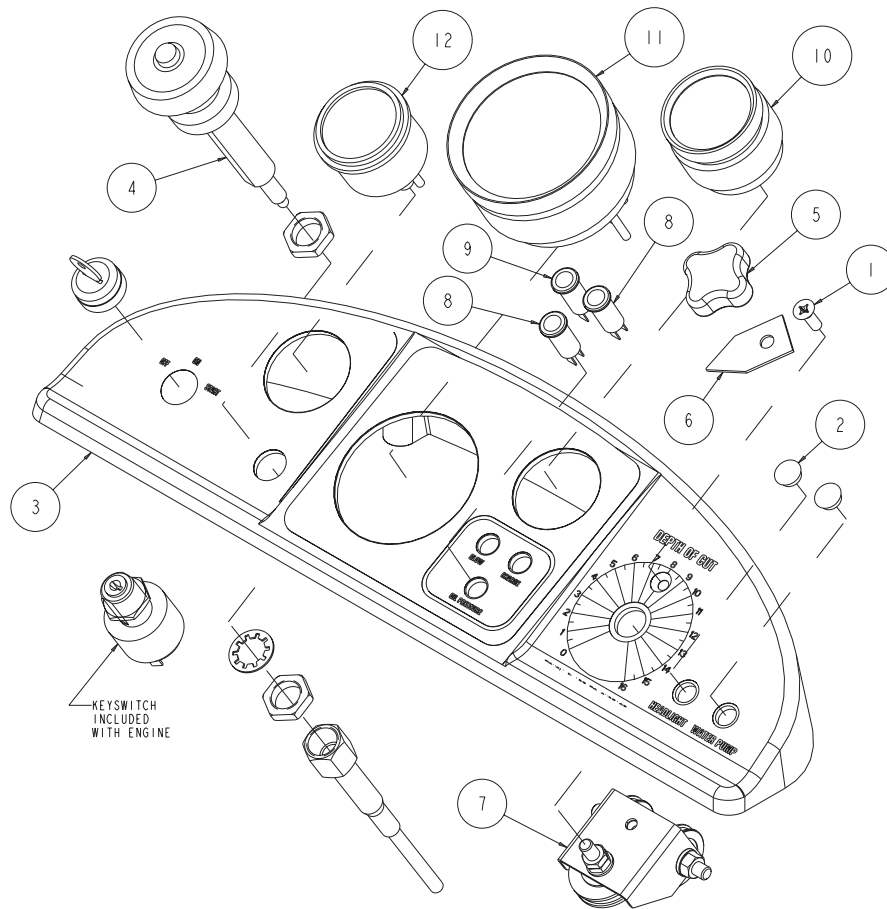
ITEM NO.	DESCRIPTION	PART #	QTY. REQ.
24	WASHER, FLAT, N, M8	164855	2
25	WASHER, LOCK, SPLIT, M8	164860	19
26	HOSE, 3/8 FUEL, 1" LONG	166472	1
27	ENGINE, KUBOTA, 44HP, DIESEL	167291	1
28	CASTING, FLYWHL GRD, KB, COMP	167498	1
29	PLATE, FLYWHLGRD, KB	167499	1
30	STANDOFF, FLYWHLGRD, KB	167500	1
31	ADAPTER, 3/8MNPT X A-BULB TEMP	167503	1
32	MOUNT, ENGINE, 4000KB	167508	1
33	ASSY, 7" AIR CLEANER, KB	167509	1
34	SCREW, HEX, M8 - 1.25 X 25MM	167512	9
35	SCREW, SOC HD, M10 - 1.25 X 25MM	167513	9
36	WASHER, LOCK, SPLIT, M10	167515	3
37	CLAMP, 1 - 1/4 CUSHION LOOP	167523	2
38	SCREW, SOC SET, CPT, 5/16 - 18 X 1 - 1/2	167525	1
39	BRACKET, THROTTLE CABLE, KB	167526	1
40	PIPE, RADIATOR OUTLET, KB	167529	1
41	BRACKET, POINTER STOP, KB	167557	1
42	SCREW, HEX, M10 - 1.25 X 40MM	167613	2
43	PIPE, 1 - 3/4 EXHAUST, KB	168883	1
44	CAP, WEATHER, 1 - 3/4 EXHAUST	168884	1
45	WASHER, CHROMATE, 3/8, PAIR	169692	8
46	SCREW, HEX, M10 - 1.25 X 25MM	170112	8

FIGURE 7 - PARTS LIST: ASSY, 7" AIR CLEANER P/N 167509



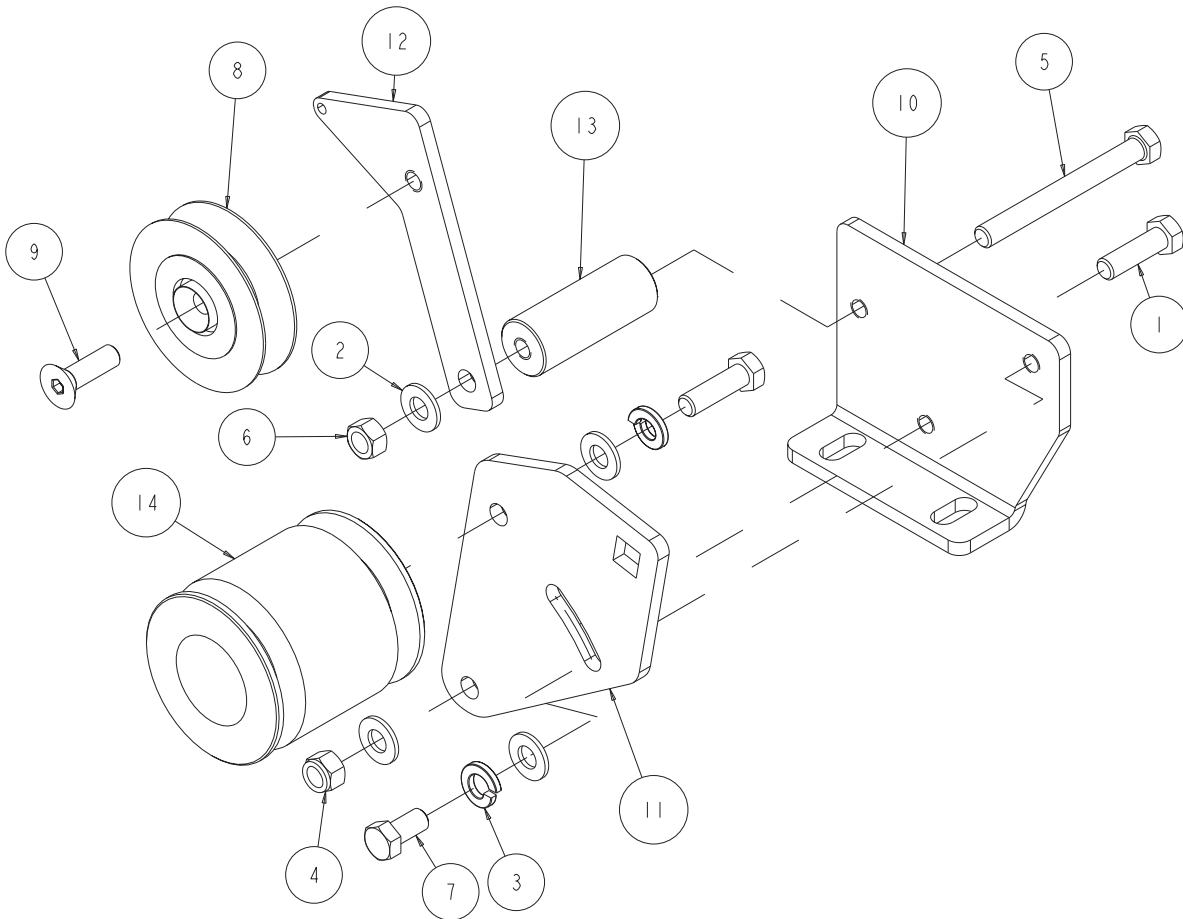
ITEM NO.	DESCRIPTION	PART #	QTY. REQ.
1	WASHER, 1/4 SAE FLAT	151915	5
2	SCREW, 1/4-20 X 3/4 HEX HEAD MACHINE	152370	1
3	SCREW, HEX HD CAP, 1/4-20 X 1	152676	2
4	NUT, 1/4-20 NYLOK	159857	3
5	AIR CLEANER, 7"	162607	1
6	BRACKET, 7" AIR CLEANER	162608	1
7	HOOD, 2.5" INLET	162609	1
8	CLAMP, 1-5/16 TO 2-1/4 HOSE	162816	1
9	ADAPTER, 1-7/800 X 2-1/4 ID TUBE	162857	1
10	HOSE, Ø1-3/4 X 90 INTAKE (COMP)	163985	1
11	HOSE, 2-1/2 ID INTAKE (COMP)	163986	1
12	CLAMP, 2-5/16 TO 3-1/4 HOSE	164242	2
13	BRACKET, AIR CLEANER, KB	167510	1
14	PLATE, AIR CLEANER, KB	167511	1
15	CLAMP, 1-3/4 CUSHION LOOP	167522	1

FIGURE 8 - PARTS LIST: ASSY, INSTRUMENT PANEL P/N 167222-NRT



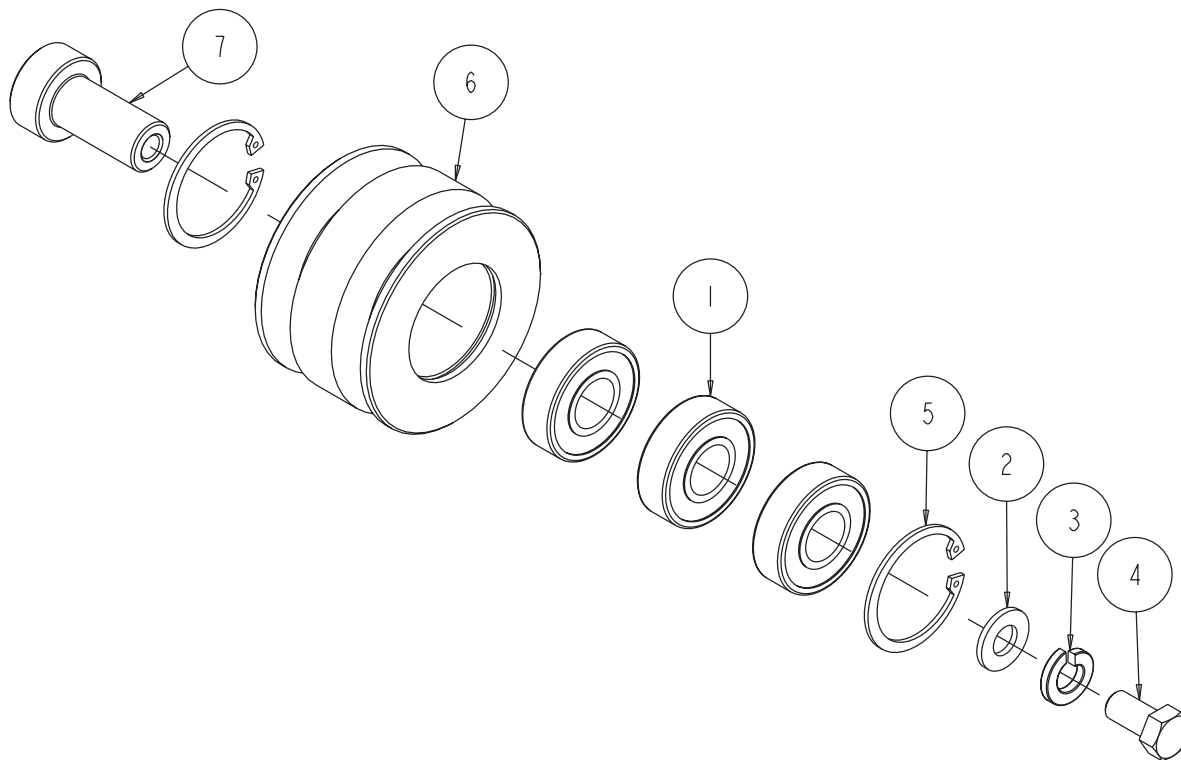
ITEM NO.	DESCRIPTION	PART #	QTY. REQ.
1	SCREW, 1/4-20 X 3/4 FLAT HEAD PHILLIPS MACHINE	154657	1
2	PLUG, 1/2 FLUSH HEAD BUTTON	156779	2
3	PANEL, INSTRUMENT (COMP)	160909	1
4	CONTROL, THROTTLE-COMP	162616	1
5	KNOB, DEPTH INDICATOR (COMP)	162629	1
6	POINTER, DEPTH INDICATOR	162630	1
7	ASSY, DEPTH INDICATOR	162881	1
8	LIGHT, 1/2" DIA, PANEL, RED	163938	2
9	LIGHT, 1/2" DIA, PANEL, GREEN	163939	1
10	GAUGE, FUEL, ANALOG	164151	1
11	GAUGE, TACH, DIESEL	164152	1
12	GAUGE, TEMP, 2"	167501	1

FIGURE 9 - PARTS LIST: ASSY, TRANSMISSION IDLER P/N 167666



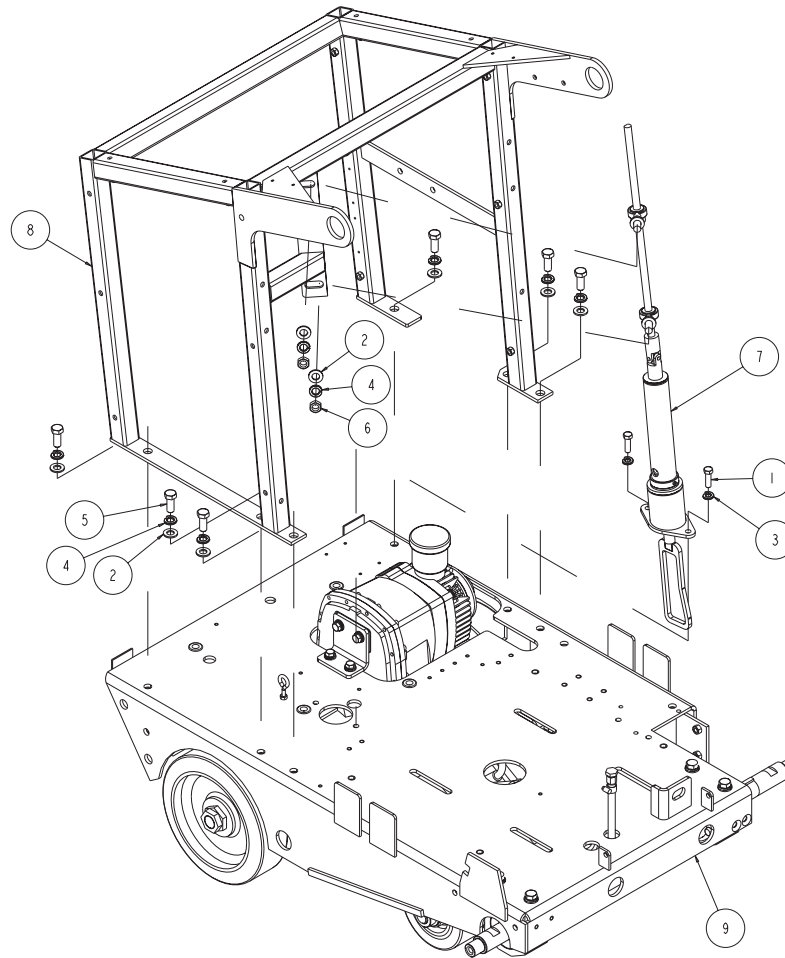
ITEM NO.	DESCRIPTION	PART #	QTY. REQ.
1	SCREW, 3/8-16 X 1-1/4 HEX HEAD CAP	150774	2
2	WASHER, 3/8 SAE FLAT	150923	4
3	WASHER, 3/8 SPLIT LOCK	150925	2
4	NUT, 3/8-16 NYLOK HEX	152505	1
5	BOLT, 3/8-16 X 3-1/2 HEX HEAD TAP	153147	1
6	NUT, 3/8-16 HEX CENTERLOCK	153522	1
7	SCREW, HEX, 3/8-16 X 3/4	153527	1
8	PULLEY, IDLER, BV3001, W/CSINK	153797-CS	1
9	SCREW, 3/8-16 X 1-1/4 FLAT HEAD SOCKET	164193	1
10	BRACKET, IDLER TOWER	165699	1
11	ARM, TRANS BELT TENSIONER	165700	1
12	ARM, TRANS BELT IDLER	165701	1
13	STANDOFF, IDLER ARM, KB	167277	1
14	ASSY, PULLEY, TRANS BELT, KB	167667	1

FIGURE 10 - PARTS LIST: ASSY, PULLEY, TRANSMISSION BELT P/N 167276



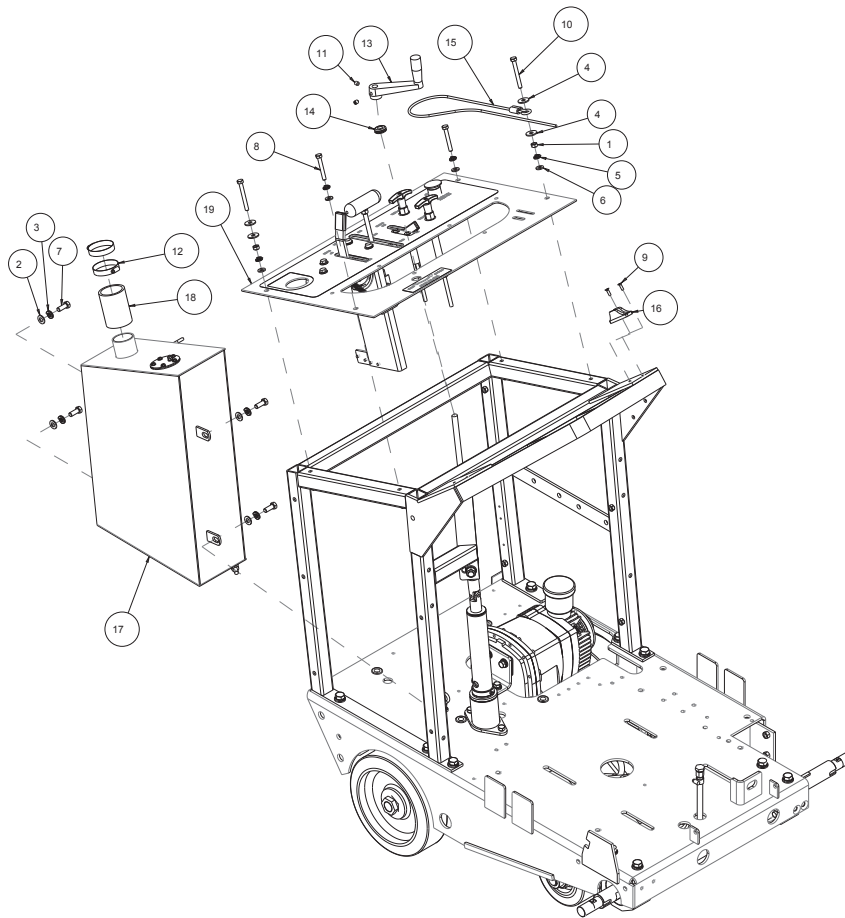
ITEM NO.	DESCRIPTION	PART #	QTY. REQ.
1	BERAING, BALL 17X40X12MM	137711	3
2	WASHER, 3/8 SAE FLAT	150923	1
3	WASHER, 3/8 SPLIT LOCK	150925	1
4	SCREW, HEX, 3/8-16 X 3/4	153527	1
5	RING, 1-9/16 INTERNAL RETAINING	160898	2
6	PULLEY, 2A/3.0 IDLER, HY	165697-HY	1
7	AXLE, 2A/3.0 IDLER PULLEY	165698	1

FIGURE 11 - PARTS LIST: ASSY, C44/48 SUB A P/N 167197-NRT



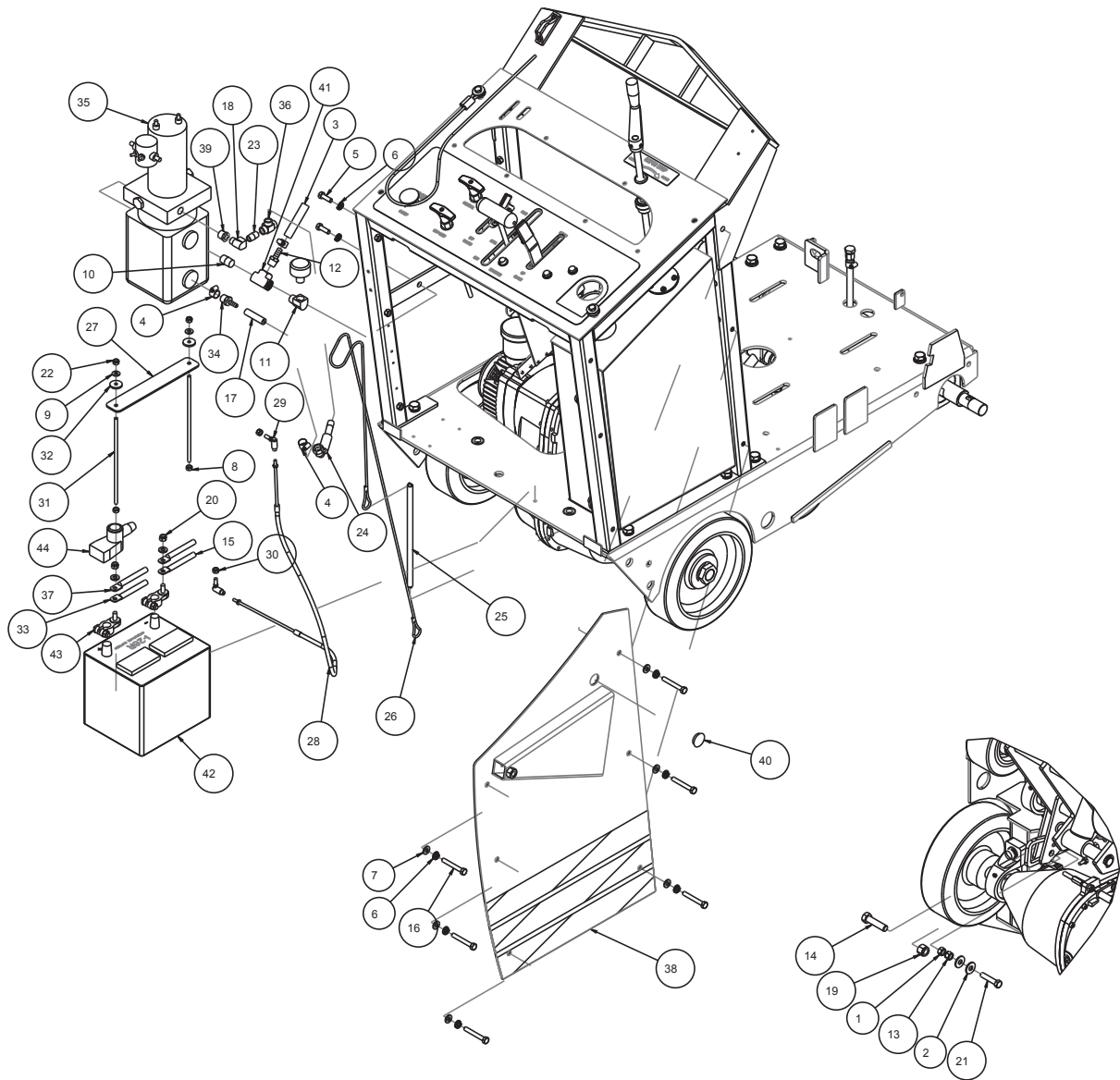
ITEM NO.	DESCRIPTION	PART #	QTY. REQ.
1	SCREW, 3/8-16 X 1-1/4 HEX HEAD CAP	150774	2
2	WASHER, 1/2 SAE FLAT	150924	8
3	WASHER, 3/8 SPLIT LOCK	150925	2
4	WASHER, 1/2 SPLIT LOCK	153524	8
5	SCREW, 1/2-13 X 1-1/4 HEX HEAD CAP	153532	6
6	NUT, 1/2-20 HEX	162586	2
7	ASSY, DEPTH STOP	165710	1
8	TOWER WELDMENT, RADIATOR	167199	1
9	ASSY, FRAME SUB, 4000HY/KB	167294	1

FIGURE 12 - PARTS LIST: ASSY, C44/48 SUB B P/N 167197-NRT



ITEM NO.	DESCRIPTION	PART #	QTY. REQ.
1	NUT, HEX, 5/16 - 18	101196	2
2	WASHER, 3/8 SAE FLAT	150923	4
3	WASHER, 3/8 SPLIT LOCK	150925	4
4	5/16 FENDER WASHER	151053	4
5	WASHER, LOCK, SPLIT, 5/16	151747	4
6	WASHER, FLAT, SAE, 5/16	151754	4
7	SCREW, HEX HD CAP, 3/8 - 16 X 1	152507	4
8	SCREW, HEX, 5/16 - 18 X 2-11/4	153951	2
9	SCREW, FLAT HD 10 - 24 X 5/8	154295	2
10	BOLT, 5/16/ - 18 X 2 - 3/4 HEX HEAD TAP	156974	2
11	SCREW, 5/16 - 18 X 3/8 SOCKET HEAD SET	157083	2
12	CLAMP, 1 - 5/16 TO 2 - 1/4	162816	2
13	HANDLE, DEPTH STOP (COMP)	163987	1
14	GROMMET 1/2 X 1.0	164207	1
15	ASSY, CABLE, POINTER	165739	1
16	CLEAT, 1/8" CABLE	165740	1
17	ASSY FUEL TANK	167210	1
18	HOSE, 2.0 ID FUEL FILL (COMP)	167213	1
19	ASSY, CONTROL PANEL, LESS INST	167215-NRT	1

FIGURE 13 - PARTS LIST: ASSY, C44/48 SUB C P/N 167197-NRT

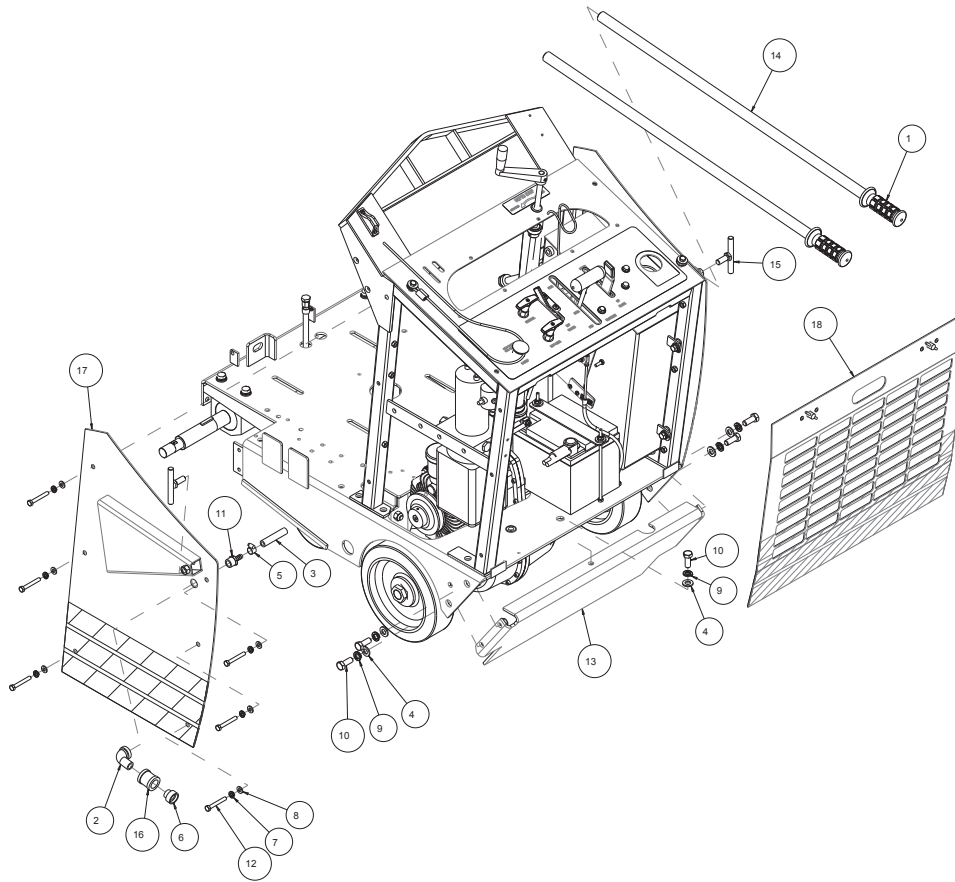


ITEM	DESCRIPTION	PART #	QTY
1	NUT, HEX, 3/8 - 16	101188	1
2	WASHER, FLAT, USS, 3/8	101360	2
3	HOSE, 3/8 X 5/8 VINYL	150845	1
4	CLAMP, 5/8 HOSE	151198	3
5	SCREW, 5/16-18 X 1 HEX HEAD	151743	2
6	WASHER, LOCK, SPLIT, 5/16	151747	8
7	WASHER, FLAT, SAE, 5/16	151754	6
8	NUT, HEX, 1/4 -20	151893	2
9	WASHER 1/4, SAE FLAT	151915	2
10	NIPPLE, 3/8 MNPT X CLOSE	152073	1

FIGURE 13 - PARTS LIST: ASSY, C44/48 SUB C P/N 167197-NRT

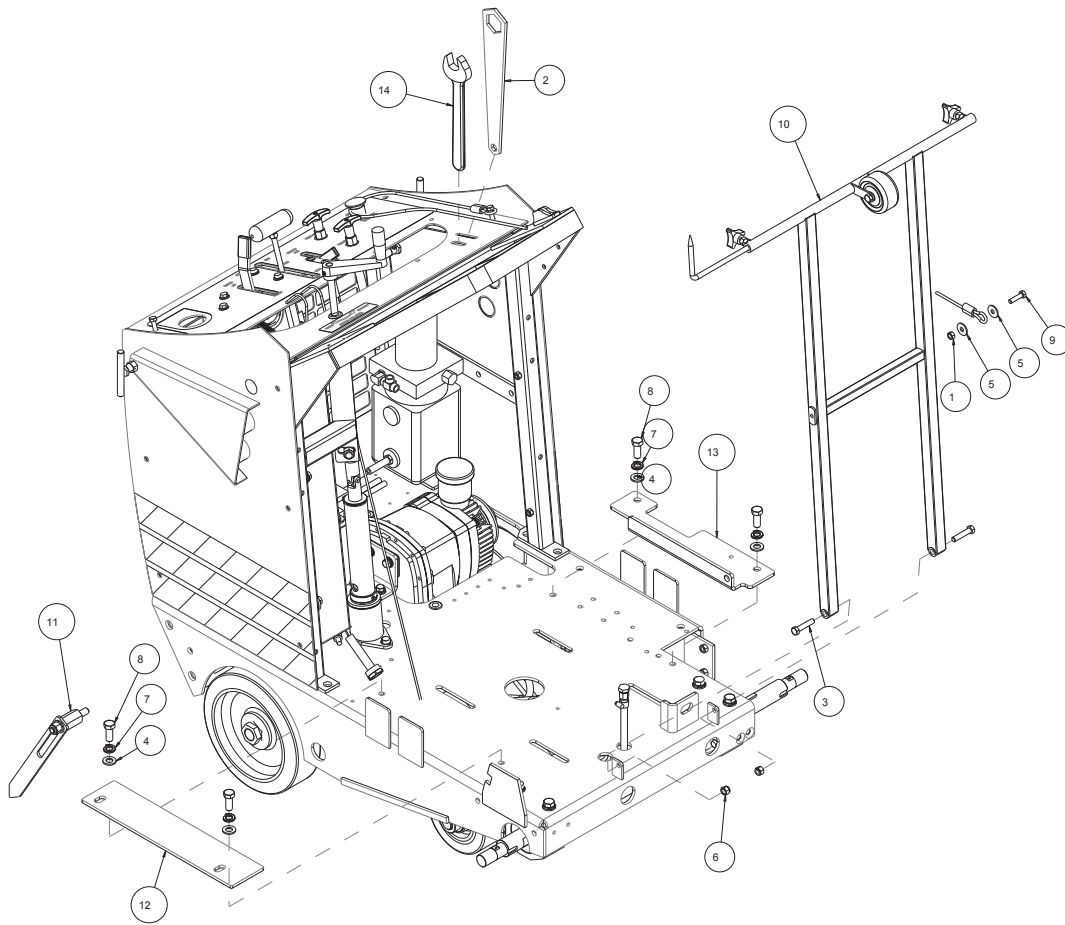
ITEM	DESCRIPTION	PART #	QTY
11	ELBOW, STREET, 3/8 NPT X 90, BRASS	152074	1
12	FITTING, 3/8 MNPT X 3/8 BARB	152076	1
13	NUT, 3/8 - 16 NYLOK HEX	152505	1
14	SCREW, HEX HD 1/2 - 13 X 2	153533	1
15	CABLE, 4GA X 24 BLACK BATTERY	153849	2
16	SCREW, HEX, 5/16 - 18 X 2 - 1/4	153951	6
17	HOSE, 1/4 FUEL, 36" LONG	154163	1
18	ELBOW, 1/4 MNPT STREET	154615	1
19	NUT, 1/2 - 13 NYLOK HEX	155162	1
20	NUT, HEX, NYLK, 5/16-18	158289	2
21	SCREW, 3/8 - 16 X 1 3/4 HEX HD	158398	1
22	NUT, HEX, NYLK, 1/4 - 20	159857	2
23	NIPPLE, 1/4 NPT X CLOSE, BRASS	159905	1
24	HOSE, 1/4 NPT X 9/16JIC90 HYD	162600	1
25	SPRING, .44 X 10.3 X .041 EXTENSION	162627	1
26	CABLE, 52" DEPTH INDICATOR	162628	1
27	BRACKET, BATTERY HOLDDOWN	162647	1
28	CABLE, TRANS CONTROL	162858	1
29	BALL JOINT, 30 SERIES	162859	2
30	NUT, HEX, NYLK, 1/4 - 28	163936	2
31	STUD, 1/4-20 X 8.5	164212	2
32	WASHER, 1/4 RUBBER FENDER	164593	2
33	CABLE, 4GA X 52 RED BATTERY	166050	1
34	FITTING, 3/8 MNPT X 1/4 BARB, BRASS	167239	1
35	PUMP, HYDRAULIC	167271	1
36	FITTING, TEE, 1/4 FNPT, BRASS	167272	1
37	CABLE, 4GA X 29 RED BATTERY	167273	1
38	PANEL, TOWER R/H	167284-NRT	1
39	FITTING, 3/8 MNPT X 1/4 FNPT	167506	1
40	PLUG, HOLE PLASTIC 1.0"	167941	1
41	TEE, 3/8NPT, BRASS	170387	1
42	BATTERY, 12 VOLT 90 AMP-HOUR	170458	1
43	TERMINAL, BATTERY, MARINE POST	170459	2
44	INSULATOR, BATTERY TERM, MARINE	170460	1

FIGURE 14 - PARTS LIST: ASSY, C44/48 SUB D P/N 167197-NRT



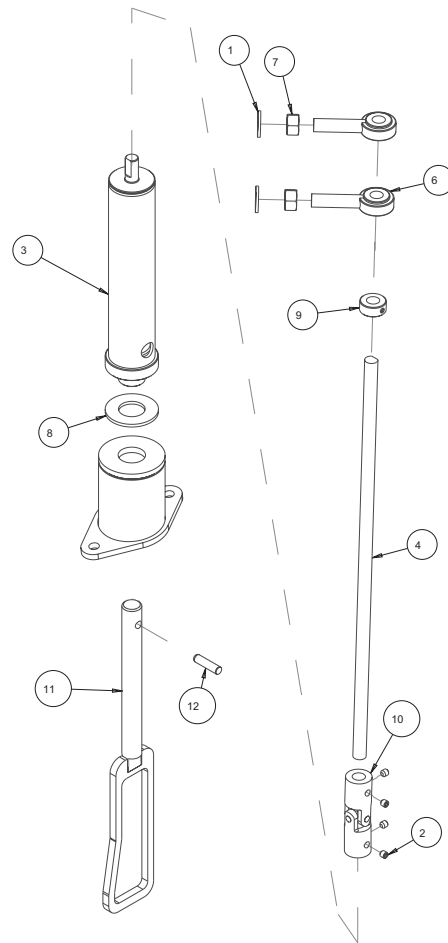
ITEM NO.	DESCRIPTION	PART #	QTY. REQ.
1	GRIP, HANDLE, 1.0 ID	150842	2
2	ELBOW, 1/2 MNPT 90 STREET, GALV	150844	1
3	HOSE, 3/8 X 5/8 VINYL, 18"	150845	1
4	WASHER, 1/2 SAE FLAT	150924	5
5	CLAMP, 5/8 HOSE	151198	1
6	FITTING, 1/2 MNPT X 3/4 FNH	151322	1
7	WASHER, LOCK, SPLIT, 5/16	151747	8
8	WASHER, 5/16 SAE FLAT	151754	10
9	WASHER, 1/2 SPLIT LOCK	153524	5
10	SCREW, 1/2-13 X 1-1/4 HEX HEAD CAP	153532	5
11	FITTING, 1/2 MNPT X 3/8 BARB	153653	1
12	SCREW, HEX, 5/16-18 X 2-1/4	153951	6
13	PLATE, REAR FRAME	161106	1
14	HANDLEBAR	161158	2
15	KNOB, 1/2-13 T-HANDLE	162635	2
16	FITTING, 1/2 NPT COUPLER	164208	1
17	PANEL, TOWER L/H	167285-NRT	1
18	ASSY, BACK PANEL, LATCHING	167505-NRT	1

FIGURE 15 - PARTS LIST: ASSY, C44/48 SUB E P/N 167197-NRT



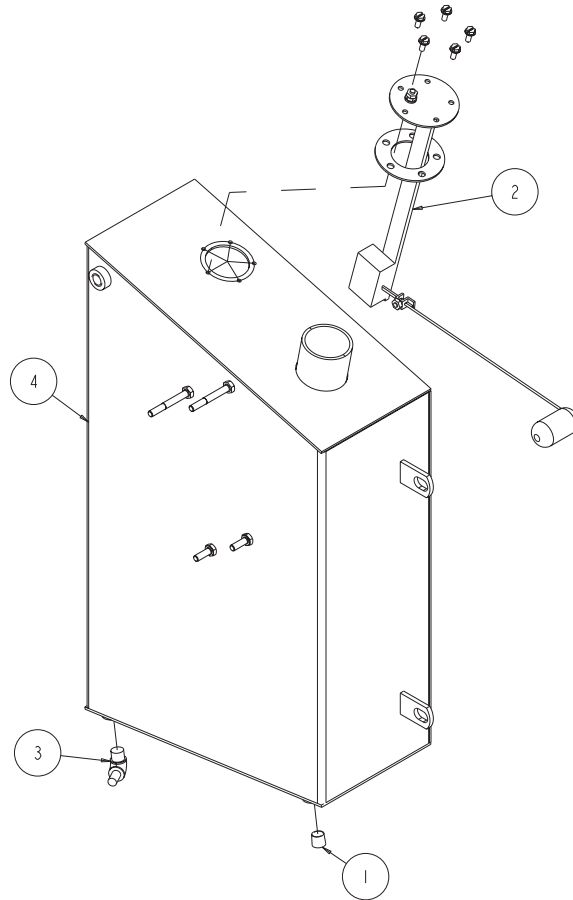
ITEM NO.	DESCRIPTION	PART #	QTY. REQ.
1	NUT, HEX, 5/16-18	101196	2
2	WRENCH, BOX END, 1-1/2 X 9/16	137976	1
3	SCREW, 3/8 - 16 X 1/34 HEX HEAD CAP	150920	2
4	WASHER, 1/2 SAE FLAT	150924	4
5	WASHER 5/16 FENDER	151053	2
6	NUT, 3/8 - 16 NYLOK HEX	152505	2
7	WASHER, 1/2 SPLIT LOCK	153524	4
8	SCREW, 1/2 - 13 X 1-1/4 HEX HEAD CAP	153532	4
9	SCREW, 5/16 - 18 X 1 -1/4 HEX HEAD MACHINE	153950	1
10	ASSY, POINTER, FRONT	160931	1
11	ASSY, REAR POINTER	163824	1
12	BRACKET, ENGINE GUIDE, RIGHT	167242	1
13	BRACKET, ENGINE GUIDE, LEFT	167243	1
14	WRENCH, 1" OPEN END	169382	1

FIGURE 16 - PARTS LIST: ASSY, DEPTH STOP P/N 165710



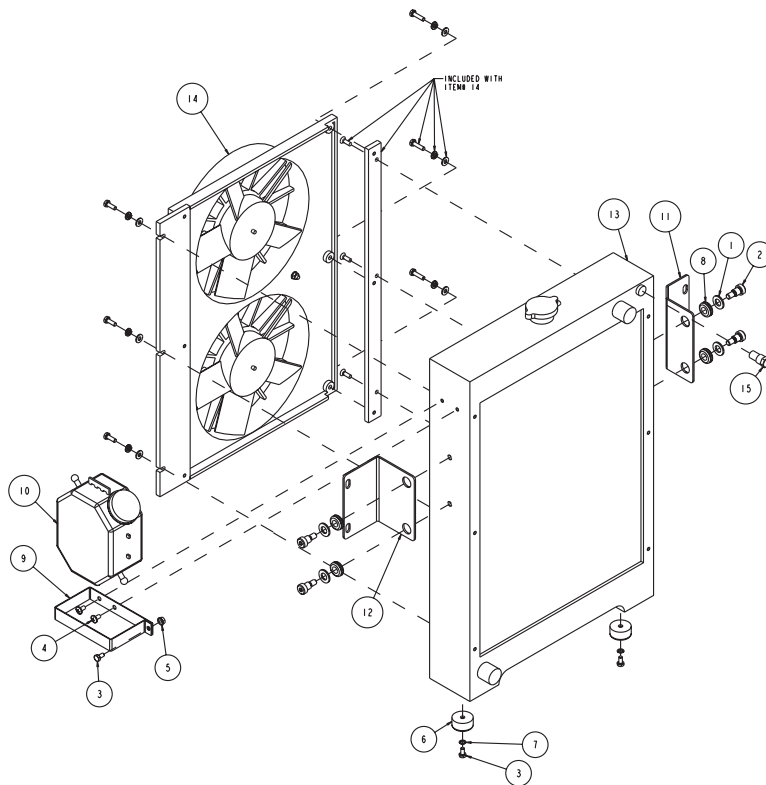
ITEM	DESCRIPTION	PART #	QTY.
1	WASHER, 1/2 SAE FLAT	150924	2
2	SCREW, SET, CUP PT 5/16 - 18 X 1/4	152607	4
3	TUBE, DEPTH STOP	161138	1
4	ARM, DEPTH STOP LINKAGE	161156	1
5	CUP, DEPTH STOP	162582	1
6	ROD END, 1/2" BALL JOINT	162583	2
7	NUT, 1/2 - 20 HEX	162586	2
8	BEARING, 1 X 2 X 1/8 BRONZE THRUST	162623	1
9	COLLAR, SHAFT, 1/2	162633	1
10	U-JOINT, 1.0 OD X 0.5 ID (COMP)	163988	1
11	SCREW, DEPTH STOP	165288	1
12	PIN, 5/16 X 1-1/4 GROOVE	171037	1

FIGURE 17 - PARTS LIST: ASSY, FUEL TANK P/N 167210



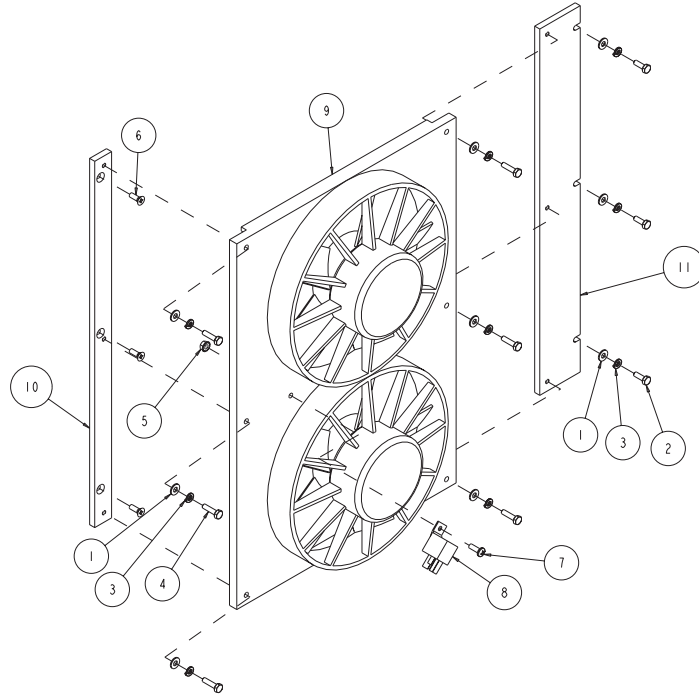
ITEM NO.	DESCRIPTION	PART #	QTY.
1	PLUG, 1/4NPT HEX SOCKET	154679	1
2	SENDER, FUEL	162636	1
3	ELBOW, 1/4MNPT X 5/16BARB, BRASS	164278	1
4	TANK, FUEL	167211	1

FIGURE 18 - PARTS LIST: MK-4000KB RADIATOR P/N 167946-KB



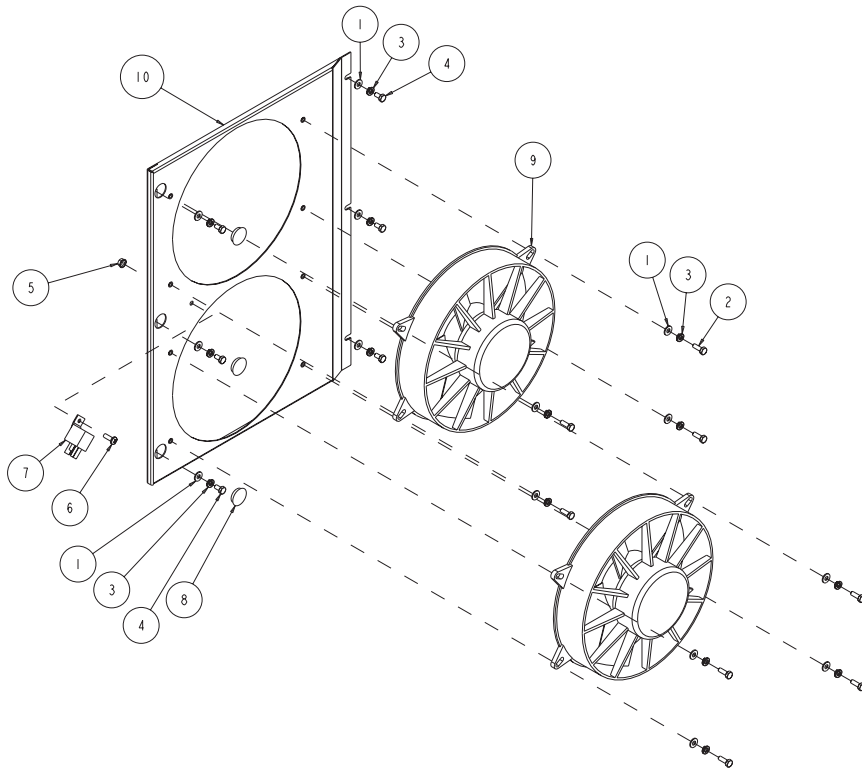
ITEM	DESCRIPTION	PART #	QTY
1	WASHER, 1/2 SAE FLAT	150924	4
2	SCREW, SHOULDER, 1/2X1/2	151753	4
3	SCREW, 1/4 -20 X 1/2 HEX HEAD	152608	3
4	SCREW, 1/4 - 20 1/2 TRUSS HEAD	153880	2
5	NUT, HEX, TW, 1/4 - 20	153941	1
6	BUMPER, 1/4 ID X 1 - 1/2OD X 3/4	154496	2
7	WASHER, LOCK, 1/4 INT TOOTH	162490	2
8	GROMMET 1/2 X 1.0	164207	4
9	BRACKET, RADIATOR BOTTLE	167208	1
10	RESERVOIR, COOLANT	167209	1
11	BRACKET, RADIATOR, LEFT, KB	167942-KB	1
12	BRACKET, RADIATOR, RIGHT, KB	167943-KB	1
13	RADIATOR, 18.25 X 27.5	167945	1
14	FAN, DUAL, 12VDC, COMP	169287	1
15	SWITCH, TEMP, 185DEG, 3/8NPT	169295	1

FIGURE 19 - PARTS LIST: MK-4000KB FAN, DUAL 12VDC P/N 169287



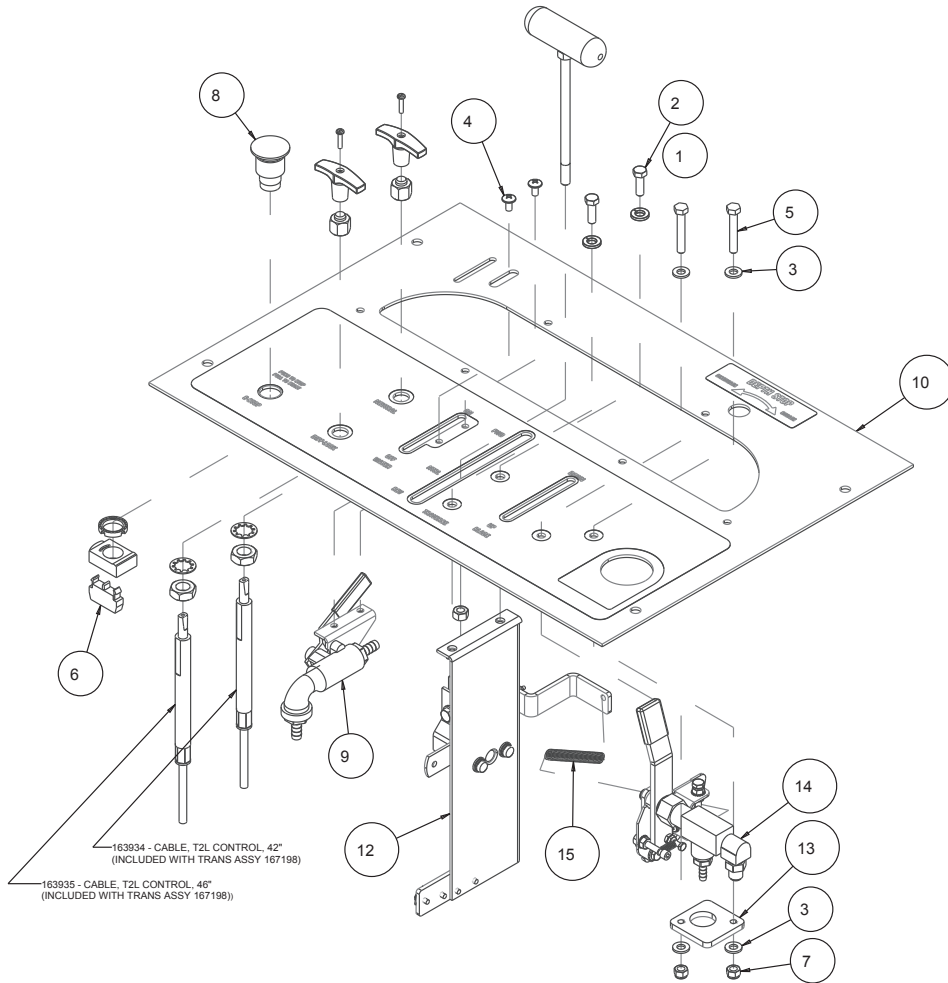
ITEM	DESCRIPTION	PART #	QTY
1	WASHER, 1/4 SAE FLAT	151915	9
2	SCREW, HEX HD, 1/4 - 20 X 3/4	152370	3
3	WASHER, 1/4 SPLIT LOCK	152591	9
4	SCREW, HEX HD CAP, 1/4 - 20 X 1	152676	6
5	NUT, HEX, TW, 1/4 - 20	153941	1
6	SCREW, 1/4 - 20 X 3/4 FLAT HEAD PHILLIPS	154657	3
7	SCREW, PAN HD, 1/4 - 20 X 3/4	157523	1
8	RELAY, 12V, 70A	164969	1
9	FAN, DUAL, 12VDC	169104	1
10	BAR, FAN MOUNT, LEFT	169108	1
11	BAR, FAN MOUNT, RIGHT	169296	1
12	WIRE HARNESS, DUAL FAN	169728	1

FIGURE 20 - PARTS LIST: MK-4000KB FAN, DUAL 12VDC P/N 169287-1



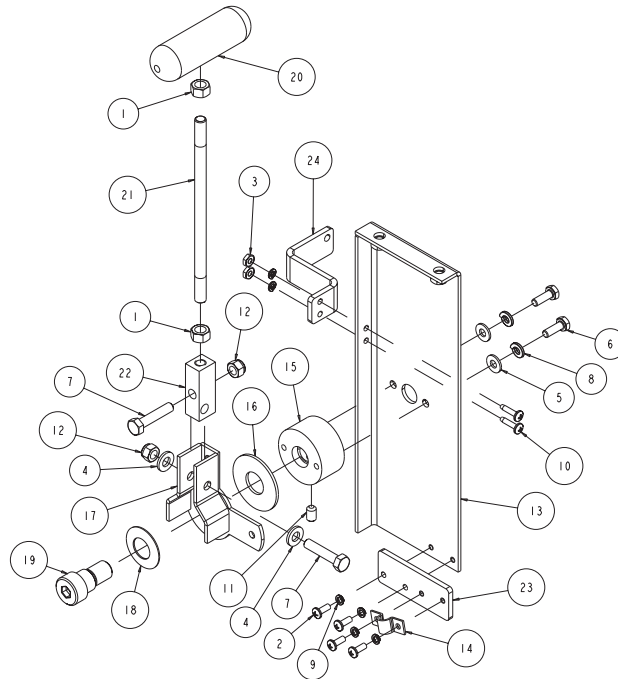
ITEM	DESCRIPTION	PART #	QTY
1	WASHER, 1/4 SAE FLAT	151915	14
2	SCREW, HEX HD, 1/4 - 20 X 3/4	152370	8
3	WASHER, 1/4 SPLIT LOCK	152591	14
4	SCREW, 1/4 - 20 X 1/2 HEX HEAD	152608	6
5	NUT, HEX, TW, 1/4 - 20	153941	1
6	SCREW, PAN HD, 1/4 - 20 X 3/4	157523	1
7	RELAY, 12V, 70A	164969	1
8	PLUG, HOLE PLASTIC 1.0"	167941	3
9	FAN, RADIATOR, 11" DIA. 12VDC	169387	2
10	SHROUD, RADIATOR, 11" FAN	169388	1
11	WIRE HARNESS, DUAL FAN	169728	1

FIGURE 21 - PARTS LIST: ASSY, CONTROL PANEL, LESS INST P/N 167215-NRT



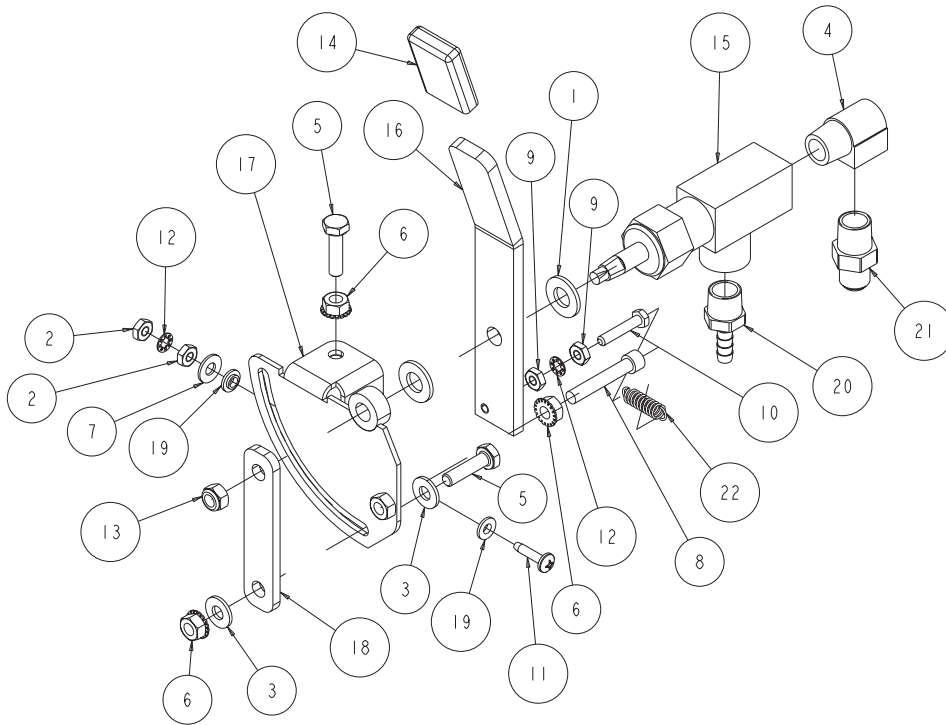
ITEM	DESCRIPTION	PART #	QTY
1	WASHER, 3/8 SPLIT LOCK	150925	2
2	SCREW, HEX HD, 5/16-18 X 1	151743	2
3	WASHER, 5/16 SAE FLAT	151754	4
4	SCREW, 1/4-20 X 1/2 TRUSS HEAD	153880	2
5	SCREW, 5/16-18 X 2 HEX HEAD	155494	2
6	CONTACTS, NC	156204	1
7	NUT, 5/16-18 NYLK HEX	158289	2
8	ASSY, SWITCH BUTTON, GAS	162080	1
9	ASSY, WATER VALVE	164161	1
10	PANEL, CONTROL	167217-NRT	1
11	LABEL, SET, CONTROL PANEL	167218	1
12	ASSY, CONTROLHEAD, FNR	167226	1
13	PLATE, UP/DOWN CONTROL MOUNT	167232	1
14	ASSY, UP/DOWN CONTROL	167233	1
15	SPRING, EXT, 7/160D X .048WD X 3.0L	167270	1

FIGURE 22 - PARTS LIST: ASSY, CONTROLHEAD, FNT SUB P/N 167226



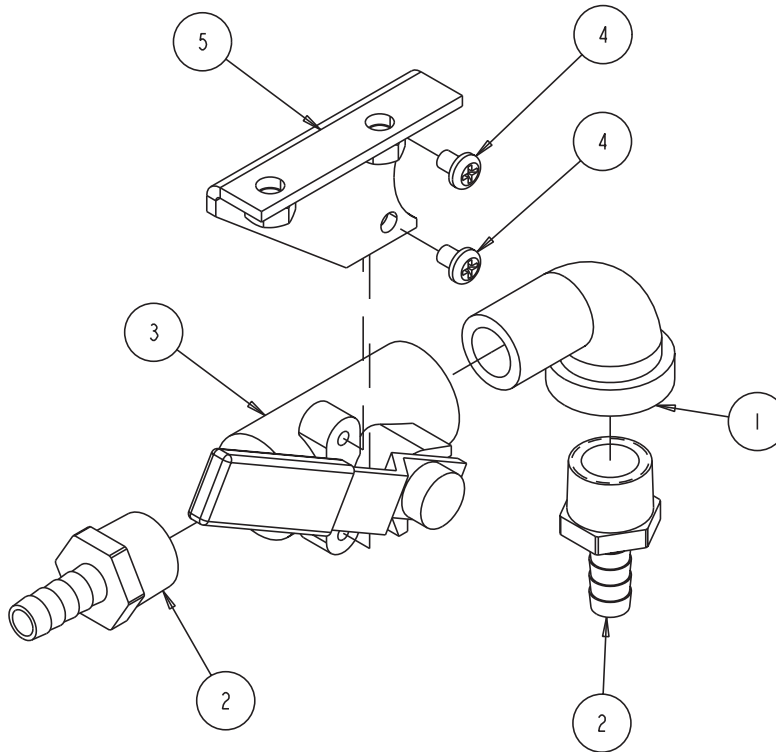
ITEM NO.	DESCRIPTION	PART #	QTY. REQ.
1	NUT, 3/8-16 HEX	101188	2
2	SCREW, 10-24 X 1/2 PAN HEAD PHILLIPS MACHINE	151744	4
3	NUT, 10-24 HEX	151749	2
4	WASHER, 5/16 SAE FLAT	151754	2
5	WASHER, 1/4 SAE FLAT	151915	2
6	SCREW, 1/4-20 X 3/4 HEX HEAD MACHINE	152370	2
7	SCREW, 5/16-18 X 1-1/2 HEX HEAD MACHINE	152467	2
8	WASHER, 1/4 SPLIT LOCK	152591	2
9	WASHER, #10 SPLIT LOCK	153684	6
10	SCREW, PAN HD PHIL MS 10-24X3/4	156641	2
11	SCREW, 5/16 - 18 X 3/8 SOCKET HEAD SET	157084	1
12	NUT, 5/16-18 NYLOK HEX	158289	2
13	BRACKET, FNR CONTROL	162634	1
14	CLAMP, 30 SERIES CONDUIT	162860	1
15	JOURNAL, FNR CONTROL	162889	1
16	WASHER, 2.0 X .812 X .088 NYLON	162890	1
17	BRACKET, FNR PIVOT	162891	1
18	SPRING, 1.50 X .755 X .045, DISK	162892	1
19	SCREW, 3/4 X 1/2 SOCKET HEAD SHOULDER	162893	1
20	HANDLE, FNR GRIP	167227	1
21	BAR, FNR HANDLE	167228	1
22	BLOCK, FNR HANDLE	167229	1
23	PLATE, FNR CABLE	167230	1
24	BRACKET, FNR SPRING	167231	1

FIGURE 23 - PARTS LIST: ASSY, UP/DOWN CONTROL P/N 167233



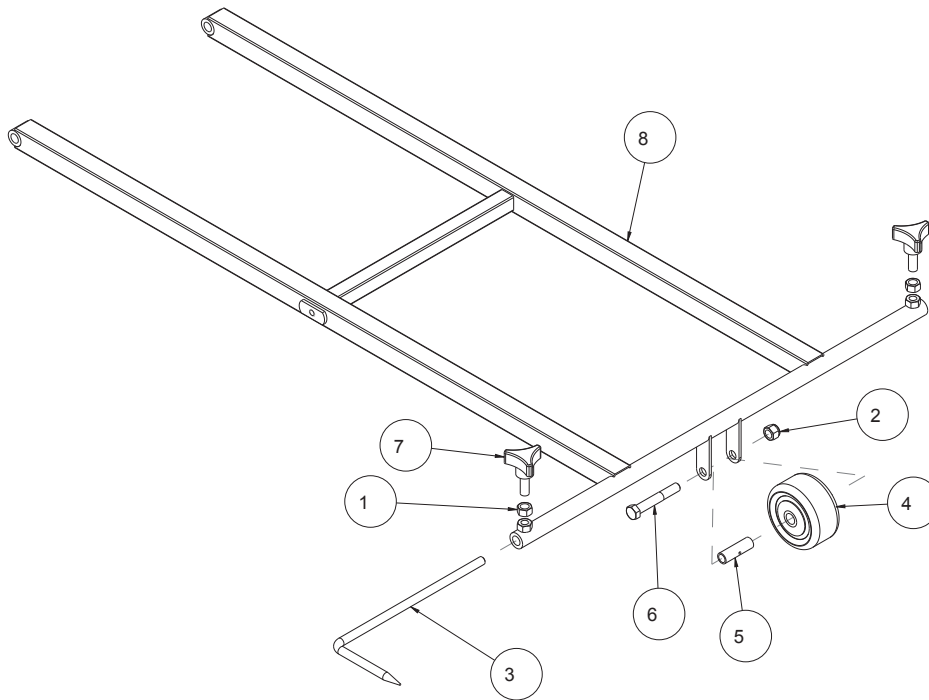
ITEM NO.	DESCRIPTION	PART #	QTY. REQ.
1	WASHER, 3/8 SAE FLAT	150923	2
2	NUT, 10-24 HEX	151749	2
3	WASHER, 1/4 SAE FLAT	151915	2
4	ELBOW, 3/8 NPT STREET	152074	1
5	SCREW, HEX HD CAP, 1/4-20 X 1	152676	2
6	NUT, HEX W/WSHR, 1/4-20	153941	3
7	WASHER, #10 SAE FLAT	154369	1
8	SCREW, SOC HD CAP, 1/4- 20 X 1	154683	1
9	NUT, HEX 10-32	156269	2
10	SCREW, 10-32 X 1 HEX HEAD CAP	156270	1
11	SCREW, PAN HD PHIL MS 10-24X3/4	156641	1
12	WASHER #10, INTERNAL TEETH	158336	2
13	NUT, HEX, NYLK, 1/4-28	163936	1
14	CAP, PUSH-ON, VINYL, 1 X 1/4	167216	1
15	VALVE, 3/8 ANGLE NEEDLE	167234	1
16	HANDLE, UP/DOWN CONTROL	167235	1
17	PLATE, UP/DOWN ADJ	167236	1
18	ARM, DEPTH CONTROL ADJ	167237	1
19	WASHER, 5/16 FLANGED PLASTIC	167238	2
20	FITTING, 3/8 MNPT X 1/4 BARB, BRASS	167239	1
21	FITTING, 3/8 NPT X 3/8 JIC	167240	1
22	SPRING, EXT, .300D X .037WD X 3/4L	167241	1

FIGURE 24 - PARTS LIST: ASSY, WATER VALVE P/N 164161



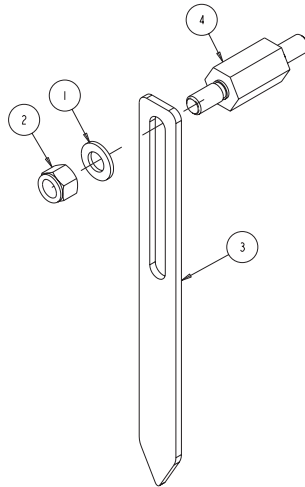
ITEM NO.	DESCRIPTION	PART #	QTY. REQ.
1	ELBOW, 1/2 MNPT 90 STREET, GALV	150844	1
2	FITTING, 1/2 MNPT X 3/8 BARB	153653	2
3	VALVE, BALL 1/2"	153796	1
4	SCREW, PAN HD PHIL 10-24 X 5/16	159494	2
5	BRACKET, WATER VALVE	162650	1

FIGURE 25 - PARTS LIST: ASSY, POINTER, FRONT P/N 160931-NRT



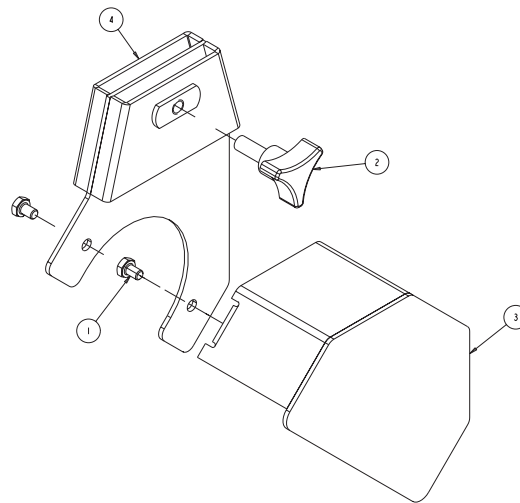
ITEM NO.	DESCRIPTION	PART #	QTY. REQ.
1	NUT, 3/8-16 HEX	101188	2
2	NUT, 3/8-16 NYLOK HEX	152505	1
3	POINTER	155057	1
4	WHEEL, POINTER, 3"	155066	1
5	BUSHING, 3/8 ID X 1-5/8L	155153	1
6	SCREW, 3/8-16 X 2-1/2 HEX HEAD CAP	156030	1
7	KNOB, 3 PRONG 3/8-16 X 1	156175	2
8	POINTER ARM, FRONT	160938	1

FIGURE 26 - PARTS LIST: ASSY, REAR POINTER P/N 163824



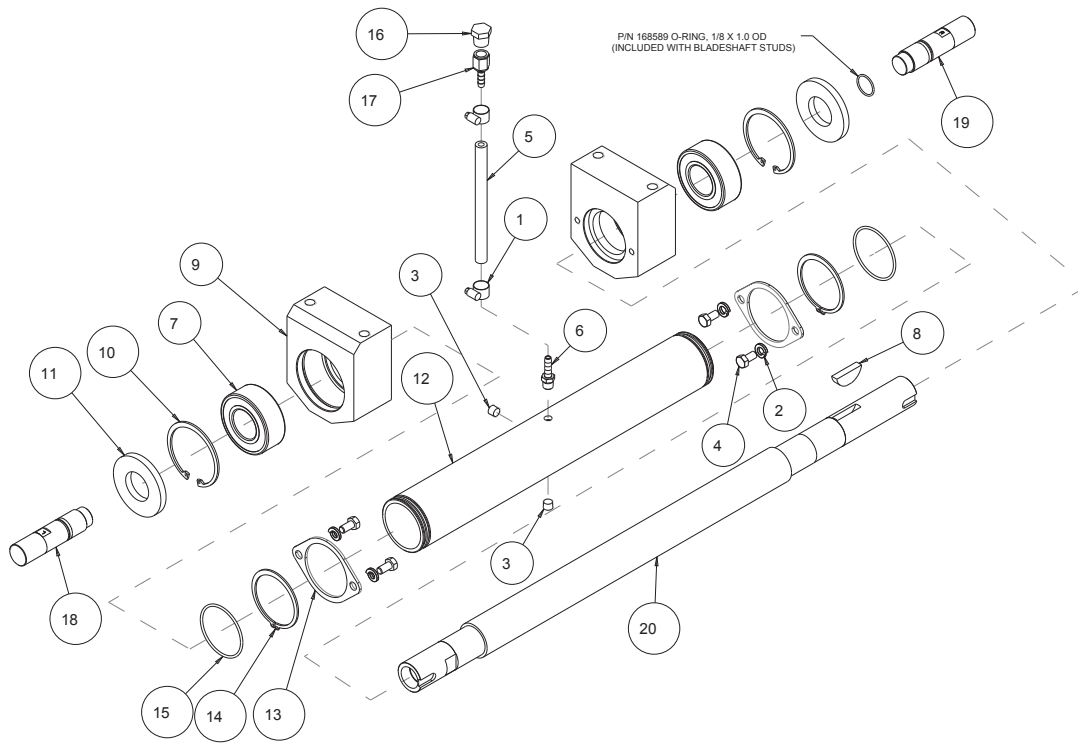
ITEM NO.	DESCRIPTION	PART #	QTY. REQ.
1	WASHER, 1/2 SAE FLAT	150924	1
2	NUT, 1/2 - 13 NYLOK HEX	155162	1
3	ARM, REAR POINTER	160951	1
4	STANDOFF, REAR POINTER	163825	1

FIGURE 27 - PARTS LIST: ASSY, SHAFT GUARD P/N 166056



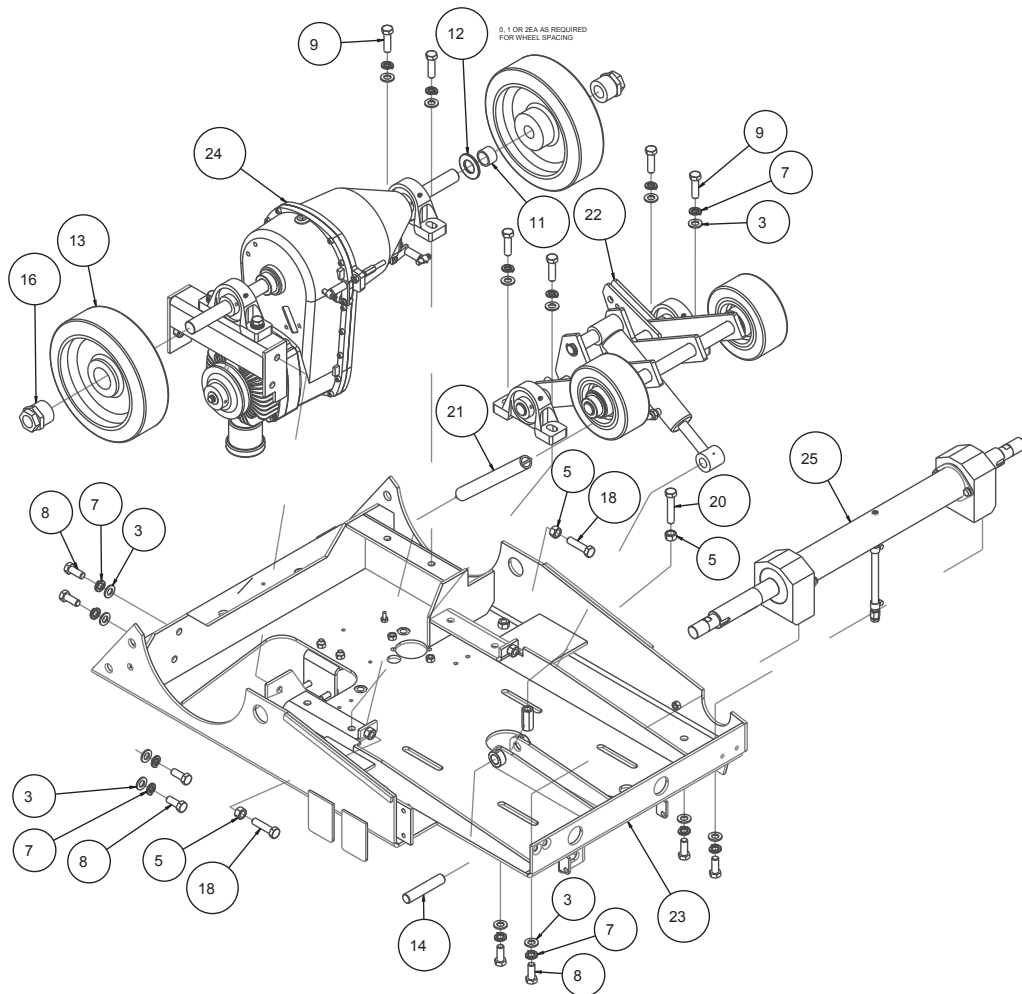
ITEM NO.	DESCRIPTION	PART #	QTY. REQ.
1	SCREW, HEX HD 1/4 - 20 X 3/8	153526	2
2	KNOB, 3 PRONG 3/8 - 16 X 1	156175	1
3	GUARD, SHAFT	161109	1
4	BACK PLATE, SHAFT GUARD	166057	1

FIGURE 28 - PARTS LIST: ASSY, BLADE SHAFT P/N 169363



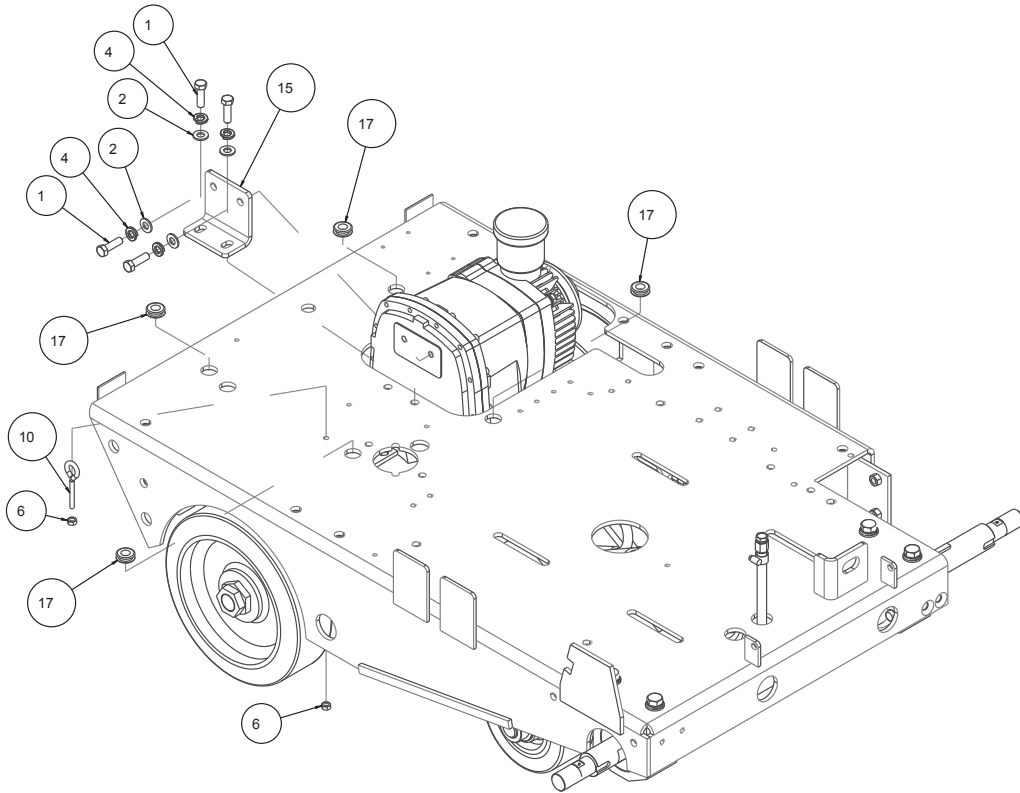
ITEM NO.	DESCRIPTION	PART #	QTY. REQ.
1	CLAMP, 5/8 HOSE	151198	2
2	WASHER, 5/16 SPLIT LOCK	151747	4
3	PLUG, 1/8NPT HEX SOCKET	152472	3
4	SCREW, 5/16-18 X 5/8 HEX HEAD CAP	153949	4
5	HOSE, 1/4 FUEL	154163	1
6	FITTING, 1/8 MNPT X 1/4 BARB	155809	1
7	BEARING, 35X72X27, D-ROW BALL	160810	2
8	KEY, WOODRUFF, 5/16 X 1-1/2	160816	1
9	BLOCK, 72mm BEARING	161199	2
10	RING, 72mm INTERNAL RETAINING	161201	2
11	SEAL, 1-3/8 X 72mm OIL	161202	2
12	TUBE, BLADE SHAFT	161203	1
13	FLANGE, BLADESHAFT TUBE	161205	2
14	RING, RETAINING, 2-1/2 EXTERNAL	161206	2
15	O-RING, 3/32 X 2-1/20D	161207	2
16	PLUG, 3/8NPT BRONZE BREATHER	161209	1
17	FITTING, 1/4 FNPT X 1/4 BARB	162601	1
18	STUD, BLADESHAFT, LH. W/ORING	168587	1
19	STUD, BLADESHAFT, RH. W/ORING	168588	1
20	SHAFT, BLADE, KEYED, 35MM	169364	1

FIGURE 29 - PARTS LIST: ASSY, FRAME SUB P/N 167294



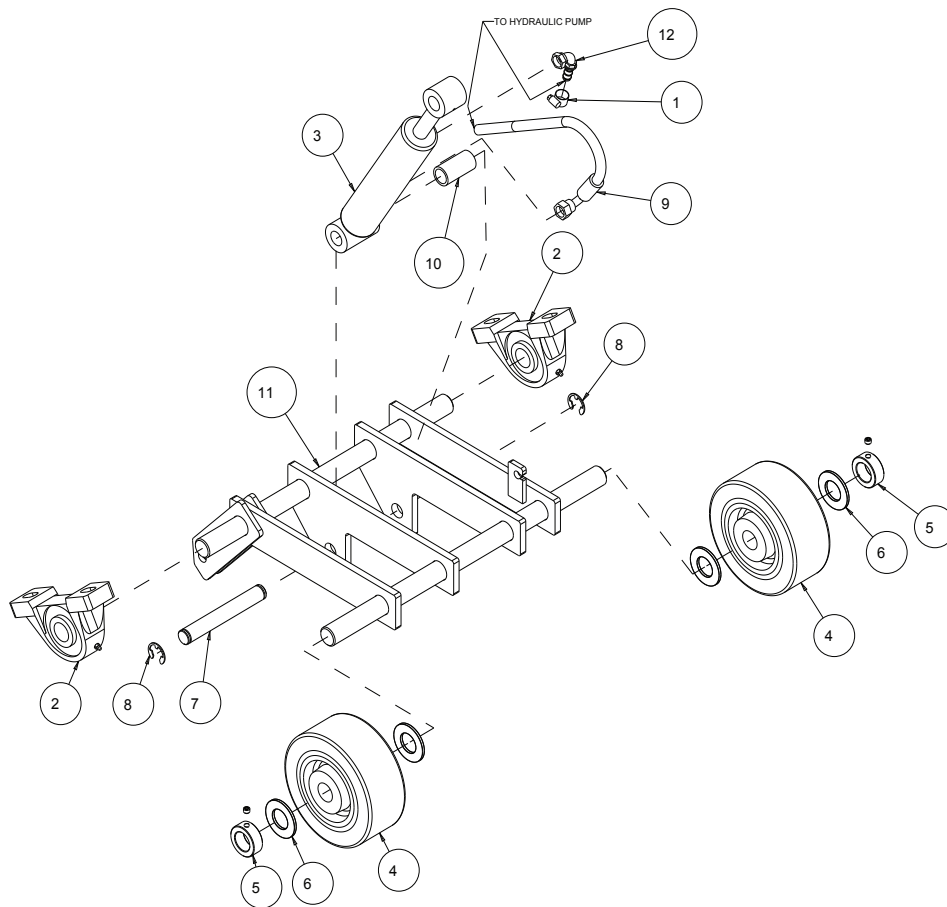
ITEM	DESCRIPTION	PART #	QTY
1	SCREW, 3/8-16 X 1-1/4 HEX HEAD CAP	150774	4
2	WASHER, 3/8 SAE FLAT	150923	4
3	WASHER, 1/2 SAE FLAT	150924	14
4	WASHER, 3/8 SPLIT LOCK	150925	4
5	NUT, 1/2-13 HEX	151282	3
6	NUT, 1/4-20 HEX	151893	2
7	WASHER, 1/2 SPLIT LOCK	153524	14
8	SCREW, 1/2-13 X 1-1/4 HEX HEAD CAP	153532	8
9	SCREW, 1/2-13 X 1-3/4 HEX HEAD CAP	153853	6
10	EYEBOLT, 1/4-20 X 2	153887	1
11	SPACER, 1.25 OD X 1.0 ID X 0.8	157680	1
12	WASHER, 1 SAW FLAT	160851	1
13	WHEEL, 10 X 3 REAR	160960	2

FIGURE 29 - PARTS LIST: ASSY, FRAME SUB P/N 167294



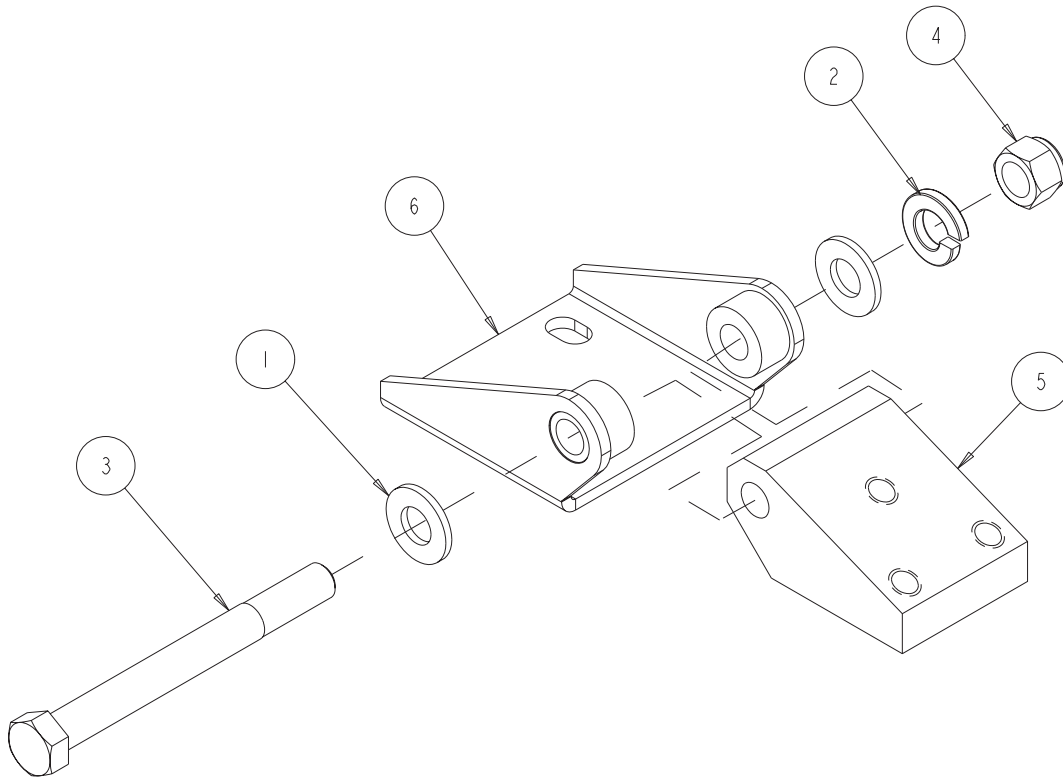
ITEM	DESCRIPTION	PART #	QTY
14	PIN, $\phi 3/4$ X 3-1/2 CLEVIS	161164	1
15	BRACKET, TRANSMISSION	161244	1
16	BUSHING 1" KEYLESS HUB	161244	2
17	GROMMET, 1/2 X 1.0	162493	4
18	BOLT, 1/2-13 X 2.0 HEX HEAD TAP	162598	2
19	GREASE, MOBIL XHP222, 2 OZ	162604	1
20	BOLT, 1/2- 13 X 2- 1/2 HEX HEAD TAP	162605	1
21	SPRING, 1.0 X 7.0 X .135 EXTENTION	162830	1
22	ASSY, TRUCK, FRT PIVOT	165705	1
23	FRAME, WELDMENT MAIN	165706	1
24	ASSY, TRANSMISSION	167198	1
25	ASSY, BLADE SHIFT, KEYED, 35MM	169363	1

FIGURE 30 - PARTS LIST: ASSY, TRUCK, FRT PIVOT P/N 165705



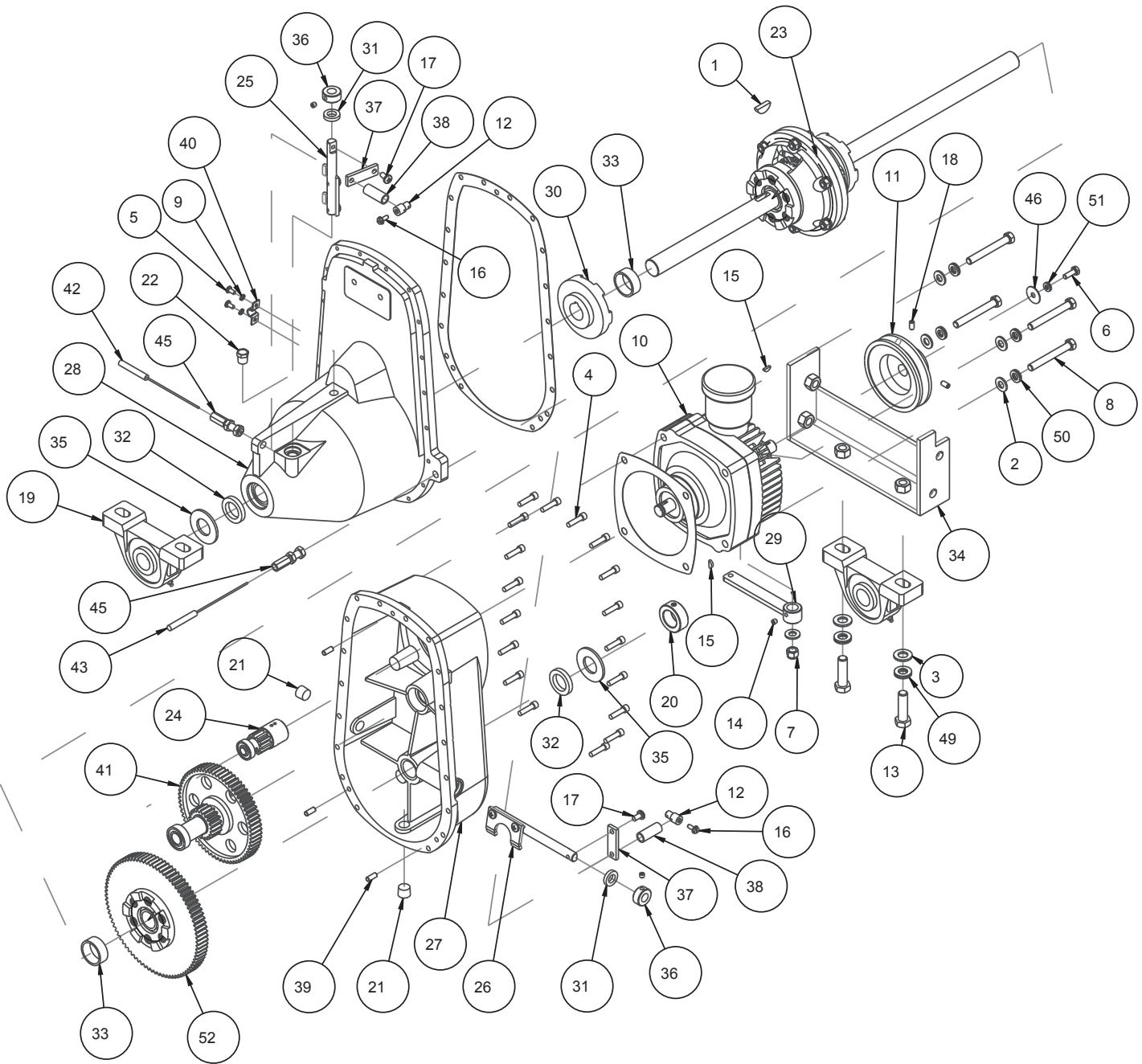
ITEM NO.	DESCRIPTION	PART #	QTY. REQ.
1	CLAMP, HOSE, 5/8	151198	1
2	BEARING, 1.0 ID PILLOW BLOCK	157924	2
3	CYLINDER, 4" HYDRAULIC	160846	1
4	WHEEL, 6 X 2-1/2 X I	160848	2
5	COLLAR, 1.0 SHAFT	160849	2
6	WASHER, 1 SAE FLAT	160851	4
7	PIN, Ø3/4 X 5 CLEVIS	160961	1
8	RING, .75 E-STYLE RETAINING	161163	2
9	HOSE, 1/4NPT X 9/16JIC90 HYD	162600	1
10	SPACER, 1.0 X .75 X 1.94	164046	1
11	TRUCK, FRONT PIVOT	165704	1
12	ELBOW, 3/8 FJIC X 3.8 BARB	170388	1

FIGURE 31 - PARTS LIST: ASSY, HINGE P/N 163979



ITEM NO.	DESCRIPTION	PART #	QTY. REQ.
1	WASHER, 3/8 SAE FLAT	150923	2
2	WASHER, 3/8 SAE LOCK	150925	1
3	SCREW, 38 - 16 X 3-3/4 HEX HD CAP	152504	1
4	NUT, 3/8 - 16 X 3 NYLOK HEX	152505	1
5	PLATE, FRONT HINGE	163977	1
6	PLATE, REAR HINGE	163978	1

FIGURE 32 - PARTS LIST: ASSY, TRANSMISSION P/N 167198



ITEM NO.	DESCRIPTION	PART \$	QTY. REQ.
1	KEY, 1/4 X 1 WOODRUFF	150795	1
2	WASHER, 3/8 SAE FLAT	150923	5
3	WASHER, 1/2 SAE FLAT	150924	2
4	SCREW, SOC HD CAP, 1/4-20 X 1	151049	18
5	SCREW, PAN HD, #10-24 X 3/8	151097	2
6	SCREW, HEX HD, 1/4-20 X 3/4	152370	1

FIGURE 32 - PARTS LIST: ASSY, TRANSMISSION P/N 167198

ITEM NO.	DESCRIPTION	PART \$	QTY. REQ.
7	NUT, 3/8-16 NYLK HEX	152505	1
8	SCREW, 3/8-16 X 3 HEX HEAD CAP	153113	4
9	WASHER, #10 SPLIT LOCK	153684	2
10	PUMP, TRANSMISSION	153783	1
11	PULLEY, A4.0 X 17MM BORE OFFSET	153826	1
12	PIN, WIRE STOP	153842	2
13	SCREW, 1/2-13 X 1-3/4 HEX HEAD CAP	153853	2
14	SCREW, SET CUP PT 1/4 -20 X 1/4	153864	1
15	KEY, WOODRUFF, 1/8 X 1/2	153865	2
16	SCREW, HEX HD FL 10-24X 5/16	154172	2
17	SCREW, PAN HD, CAP 1/4-20 X 1/2	155452	2
18	SCREW, 1/4-20 X 1/2 SOCKET HEAD SET	155804	2
19	BEARING, 1.0 ID PILLOW BLOCK	157924	2
20	COLLAR, 1.0 SHAFT	160849	1
21	PLUG, 3/8 NPT HEX SOCKET, GALV	161208	2
22	PLUG, 1/4 NPT BRONZE BREATHER	161209	1
23	ASSY, DIFFERENTIAL	161232	1
24	ASSY, PUMP PINION	161235	1
25	ASSY, TRANS FORK 2	161236	1
26	ASSY, TRANS FORK I	161237	1
27	ASSY, TRANS CASE I	161248	1
28	ASSY, TRANS CASE 2	161250	1
29	LEVER, TRANS CONTROL	161263	1
30	PLATE, LOCKER, KEYED	161264	1
31	SEAL, OIL, 1/2 X 7/8 X 3/16	161270	2
32	SEAL, 1 X 1-1/2 X 1/4 OIL	161271	2
33	SPRING, I .50D X 1.3 COMPRESSION	161279	2
34	BRIDGE, TRANS BEARING	161311	1
35	BEARING, I X 2 X 1/8 BRONZE THRUST	162623	2
36	COLLAR, 1/2 SHAFT	162633	2
37	LEVER, TRANS FORK	162673	2
38	SPRING, .56 OD X 1.38 COMPRESSION	162829	2
39	PIN, 1/4 X 5/8 DOWEL	162849	3
40	CLAMP, 30 SERIES CONDUIT	162860	1
41	ASSY, CHANGE GEAR	162883	1
42	CABLE, T2L CONTROL, N (COMP)	163934	1
43	CABLE, T2L CONTROL, L (COMP)	163935	1
44	OIL, 80-90 SAE GEAR	164971	1
45	FITTING, THROTTLE CABLE END	169042	2
46	WASHER, FENDER, 1/4 X 1	169049	1
47	GASKET SET, TRANSMISSION	169465	1
48	SEALANT, GASKET, PT#2 (0.5 OZ)	169466	1
49	WASHER, CHROMATE, 1/2, PAIR	169691	2
50	WASHER, CHROMATE, 3/8, PAIR	169692	4
51	WASHER, CHROMATE, 1/4, PAIR	169693	1
52	ASSY, ENGAGEMENT GEAR, STEEL	170395	1

FIGURE 33 - PARTS LIST: ASSY, 20" BLADE GUARD P/N 168279-20

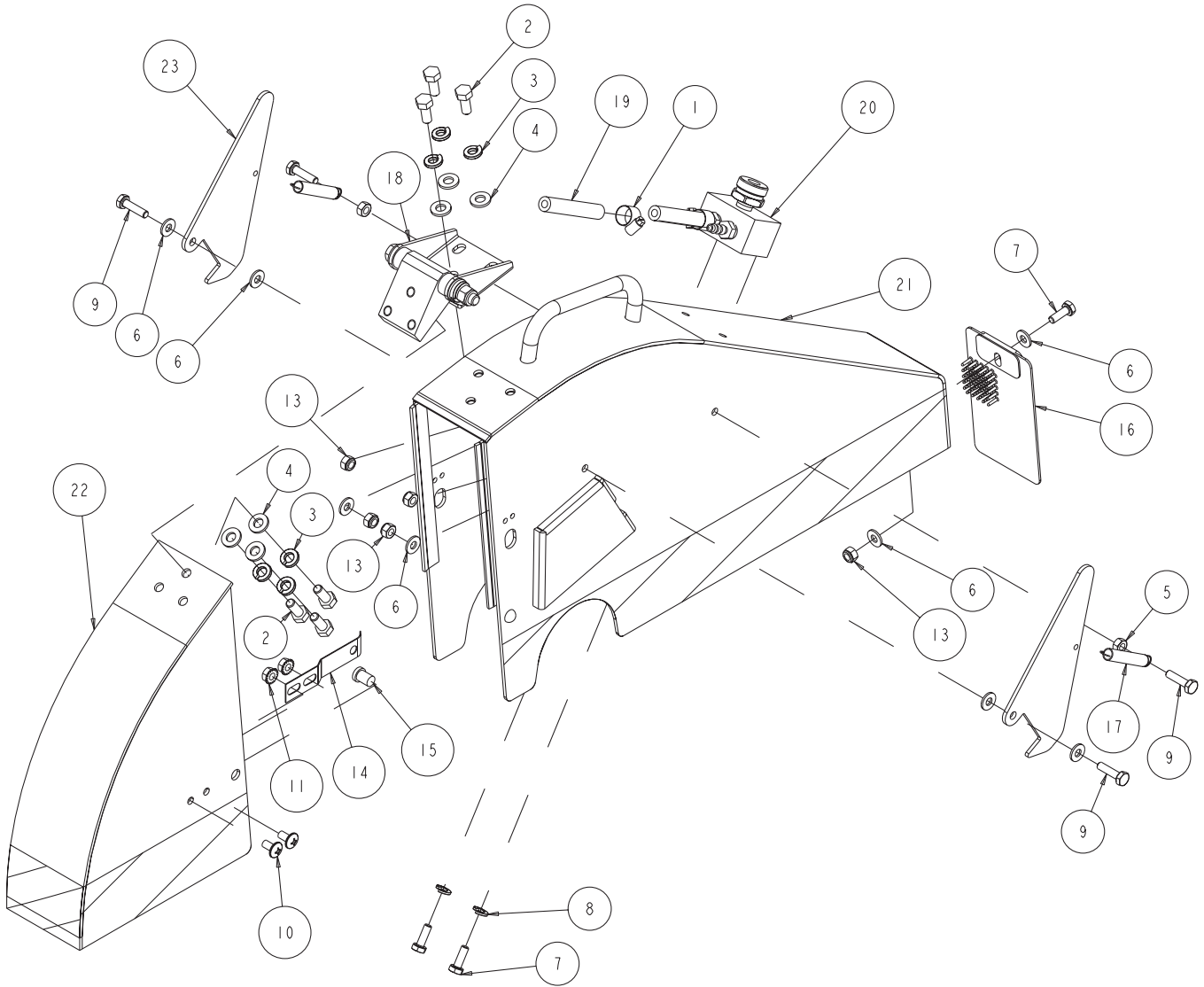


FIGURE 33 - PARTS LIST: ASSY, 20" BLADE GUARD P/N 168279-20

ITEM NO.	DESCRIPTION	PART #	QTY. REQ.
1	CLAMP, 5/8 HOSE	151198	2
2	SCREW, 5/16-18 X 3/4 HEX HEAD MACHINE	151369	6
3	WASHER, LOCK, SPLIT, 5/16	151747	6
4	WASHER, 5/16 SAE FLAT	151754	6
5	NUT, 1/4-20 HEX	151893	2
6	WASHER, 1/4 SAE FLAT	151915	8
7	SCREW, 1/4-20 X 3/4 HEX HEAD MACHINE	152370	3
8	WASHER, 1/4 SPLIT LOCK	152591	2
9	SCREW, HEX HD CAP, 1/4-20 X 1	152676	4
10	SCREW, 1/4-20 X 1/2 TRUSS HEAD	153880	2
11	NUT, HEX W/WSHR, 1/4-20	153941	2
12	TIE, NYLON CABLE, 1/8 X 4, BLACK	158528	2
13	NUT, 1/4-20 NYLOK	159857	5
14	LOCK, BLADE GUARD	159998	1
15	BUTTON, RELEASE	159999	1
16	GUARD, SPLASH, NO LOGO	160310-NL	1
17	SPRING, EXTENSION	160875	2
18	ASSY, HINGE	163979	1
19	HOSE, VINYL, 1/4 X 1/2 (24"L)	167620	2
20	ASSY, WATER MANIFOLD, 2T	167624	1
21	GUARD, 20" FRONT BLADE	168277-20	1
22	GUARD, 20" REAR BLADE	168278-20	1
23	LATCH, 20" BLADE GUARD	168528	2

FIGURE 34 - PARTS LIST: ASSY, 26" BLADE GUARD P/N 168279-26

ITEM NO.	DESCRIPTION	PART #	QTY. REQ.
1	CLAMP, 5/8 HOSE	151198	2
2	SCREW, 5/16-18 X 3/4 HEX HEAD MACHINE	151369	6
3	WASHER, LOCK, SPLIT, 5/16	151747	6
4	WASHER, 5/16 SAE FLAT	151754	6
5	NUT, 1/4-20 HEX	151893	2
6	WASHER, 1/4 SAE FLAT	151915	8
7	SCREW, 1/4-20 X 3/4 HEX HEAD MACHINE	152370	3
8	WASHER, 1/4 SPLIT LOCK	152591	2
9	SCREW, HEX HD CAP, 1/4-20 X 1	152676	4
10	SCREW, 1/4-20 X 1/2 TRUSS HEAD	153880	2
11	NUT, HEX W/WSHR, 1/4-20	153941	2
12	TIE, NYLON CABLE, 1/8 X 4, BLACK	158528	2
13	NUT, 1/4-20 NYLOK	159857	5
14	LOCK, BLADE GUARD	159998	1
15	BUTTON, RELEASE	159999	1
16	GUARD, SPLASH, NO LOGO	160310-NL	1
17	SPRING, EXTENSION	160875	2
18	ASSY, HINGE	163979	1
19	HOSE, VINYL, 1/4 X 1/2 (24"L)	167620	4
20	ASSY, WATER MANIFOLD, 4T	167625	1
21	GUARD, 26" FRONT BLADE	168277-26	1
22	GUARD, 26" REAR BLADE	168278-26	1
23	LATCH, 26" BLADE GUARD	168280	2

FIGURE 35 - PARTS LIST: ASSY, 30" BLADE GUARD P/N 168279-30

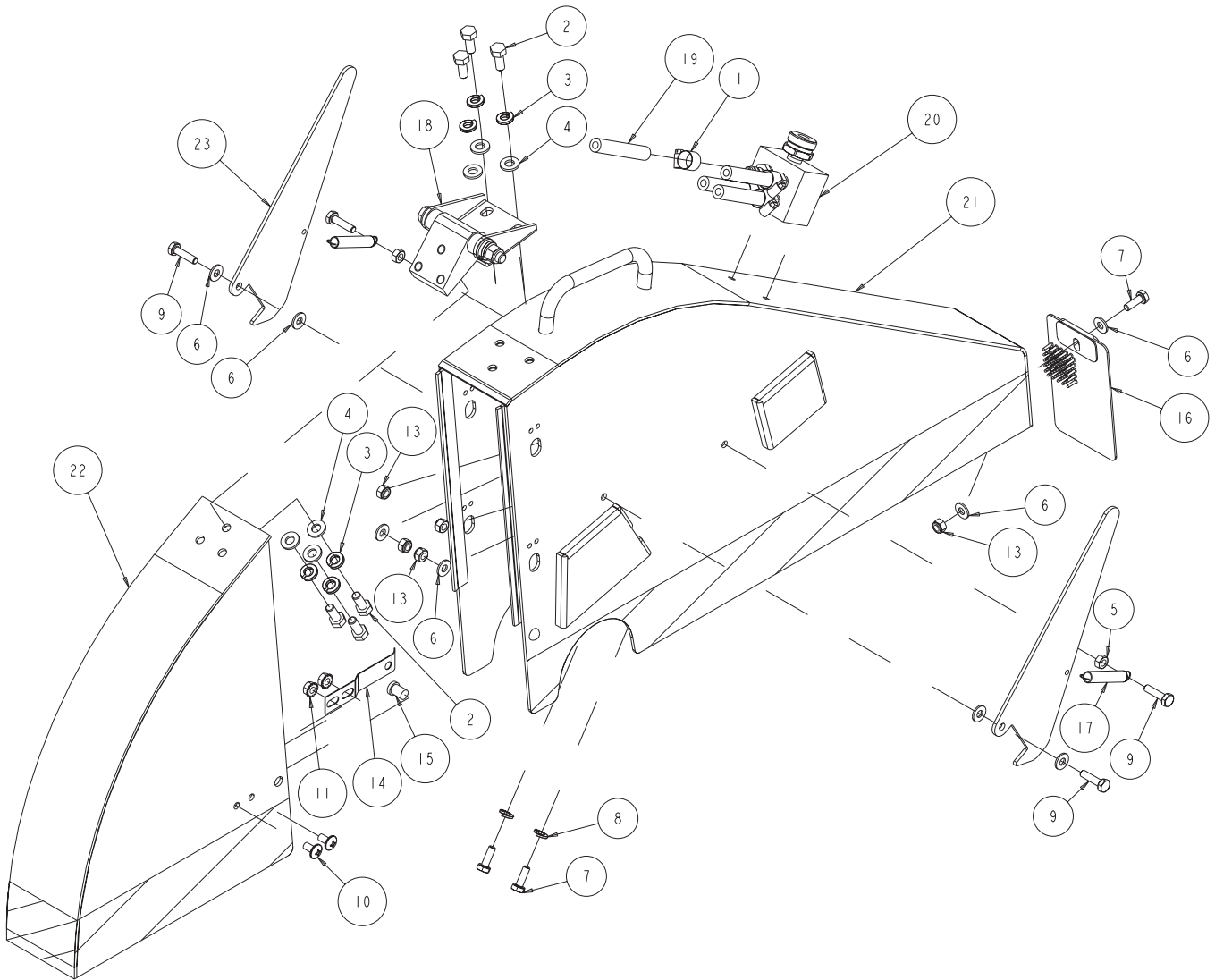


FIGURE 35 - PARTS LIST: ASSY, 30" BLADE GUARD P/N 168279-30

ITEM NO.	DESCRIPTION	PART #	QTY. REQ.
1	CLAMP, 5/8 HOSE	151198	2
2	SCREW, 5/16-18 X 3/4 HEX HEAD MACHINE	151369	6
3	WASHER, LOCK, SPLIT, 5/16	151747	6
4	WASHER, 5/16 SAE FLAT	151754	6
5	NUT, 1/4-20 HEX	151893	2
6	WASHER, 1/4 SAE FLAT	151915	8
7	SCREW, 1/4-20 X 3/4 HEX HEAD MACHINE	152370	3
8	WASHER, 1/4 SPLIT LOCK	152591	2
9	SCREW, HEX HD CAP, 1/4-20 X 1	152676	4
10	SCREW, 1/4-20 X 1/2 TRUSS HEAD	153880	2
11	NUT, HEX W/WSHR, 1/4-20	153941	2
12	TIE, NYLON CABLE, 1/8 X 4, BLACK	158528	2
13	NUT, 1/4-20 NYLOK	159857	5
14	LOCK, BLADE GUARD	159998	1
15	BUTTON, RELEASE	159999	1
16	GUARD, SPLASH	160310	1
17	SPRING, EXTENSION	160875	2
18	ASSY, HINGE	163979	1
19	LATCH, 30" BLADE GUARD	165874	2
20	HOSE, VINYL, 1/4 X 1/2 (24"L)	167620	4
21	ASSY, WATER MANIFOLD, 4T	167625	1
22	GUARD, 30" FRONT BLADE	168277-30	1
23	GUARD, 30" REAR BLADE	168278-30	1

FIGURE 36 - PARTS LIST: ASSY, 36" BLADE GUARD P/N 168279-36

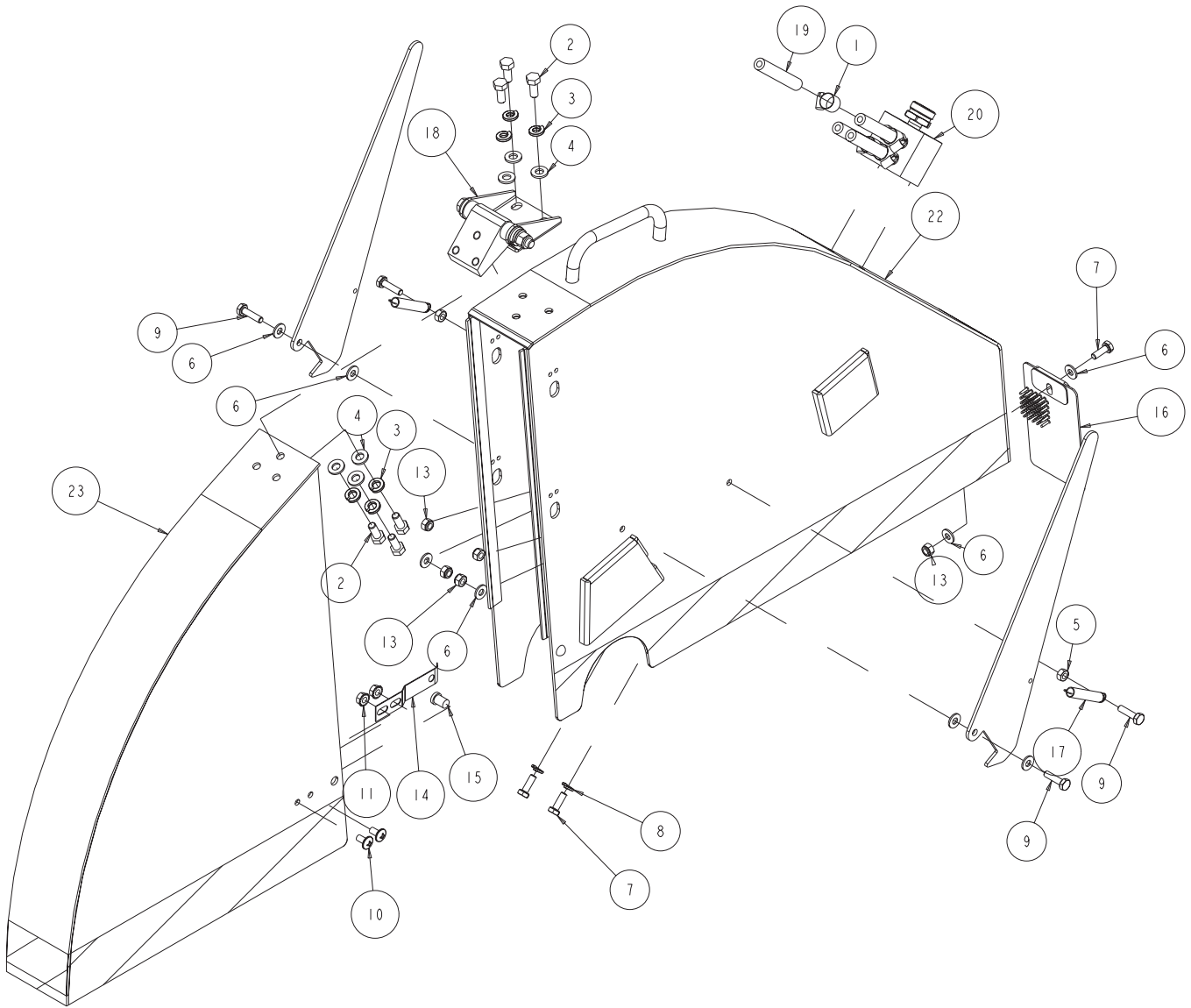
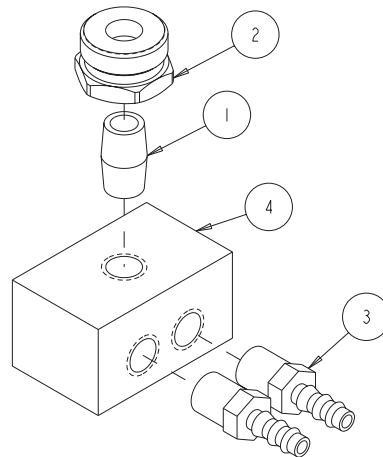


FIGURE 36 - PARTS LIST: ASSY, 36" BLADE GUARD P/N 168279-36

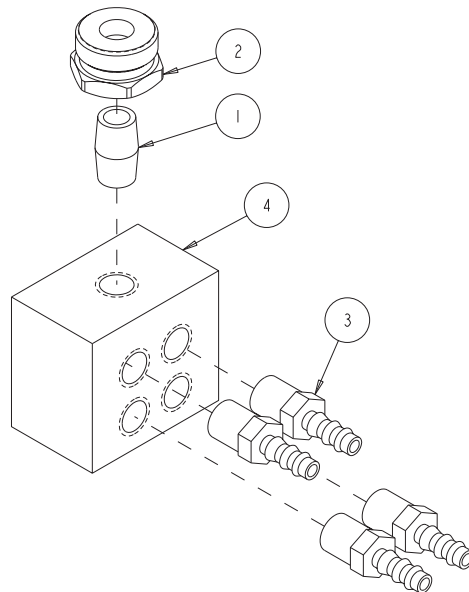
ITEM NO.	DESCRIPTION	PART #	QTY. REQ.
1	CLAMP, 5/8 HOSE	151198	2
2	SCREW, 5/16-18 X 3/4 HEX HEAD MACHINE	151369	6
3	WASHER, LOCK, SPLIT, 5/16	151747	6
4	WASHER, 5/16 SAE FLAT	151754	6
5	NUT, 1/4-20 HEX	151893	2
6	WASHER, 1/4 SAE FLAT	151915	8
7	SCREW, 1/4-20 X 3/4 HEX HEAD MACHINE	152370	3
8	WASHER, 1/4 SPLIT LOCK	152591	2
9	SCREW, HEX HD CAP, 1/4-20 X 1	152676	4
10	SCREW, 1/4-20 X 1/2 TRUSS HEAD	153880	2
11	NUT, HEX W/WSHR, 1/4-20	153941	2
12	TIE, NYLON CABLE, 1/8 X 4, BLACK	158528	2
13	NUT, 1/4-20 NYLOK	159857	5
14	LOCK, BLADE GUARD	159998	1
15	BUTTON, RELEASE	159999	1
16	GUARD, SPLASH, NO LOGO	160310-NL	1
17	SPRING, EXTENSION	160875	2
18	ASSY, HINGE	163979	1
19	HOSE, VINYL, 1/4 X 1/2 (24"L)	167620	4
20	ASSY, WATER MANIFOLD, 4T	167625	1
21	LATCH, 36" BLADE GUARD	167658	2
22	GUARD, 36" FRONT BLADE	168277-36	1
23	GUARD, 36" REAR BLADE	168278-36	1

FIGURE 37 - PARTS LIST: ASSY, WATER MANIFOLD, 2T P/N 167624



ITEM NO.	DESCRIPTION	PART #	QTY. REQ.
1	NIPPLE, 1/4 NPT X CLOSE, BRASS	159905	1
2	FITTING, 3/4 X 11.5 MNH X 1/4 FNPT	163992	1
3	FITTING, PUSH ON HOSE 1/4 X 1/4 MALE	165183	2
4	MANIFOLD, WATER, 2 TUBE	167622	1

FIGURE 38 - PARTS LIST: ASSY, WATER MANIFOLD, 4T P/N 167625



ITEM NO.	DESCRIPTION	PART #	QTY. REQ.
1	NIPPLE, 1/4 NPT X CLOSE, BRASS	159905	1
2	FITTING, 3/4 X 11.5 MNH X 1/4 FNPT	163992	1
3	FITTING, PUSH ON HOSE 1/4 X 1/4 MALE	165183	4
4	MANIFOLD, WATER, 4 TUBE	167623	1