



Operator's Manual
Original Operating
Instructions
Chainsaw
CS3814, CS3816,
CS4116



⚠ WARNING

BEFORE USING OUR PRODUCTS, READ THIS MANUAL CAREFULLY TO UNDERSTAND THE PROPER USE OF YOUR UNIT.

FIGURE 3

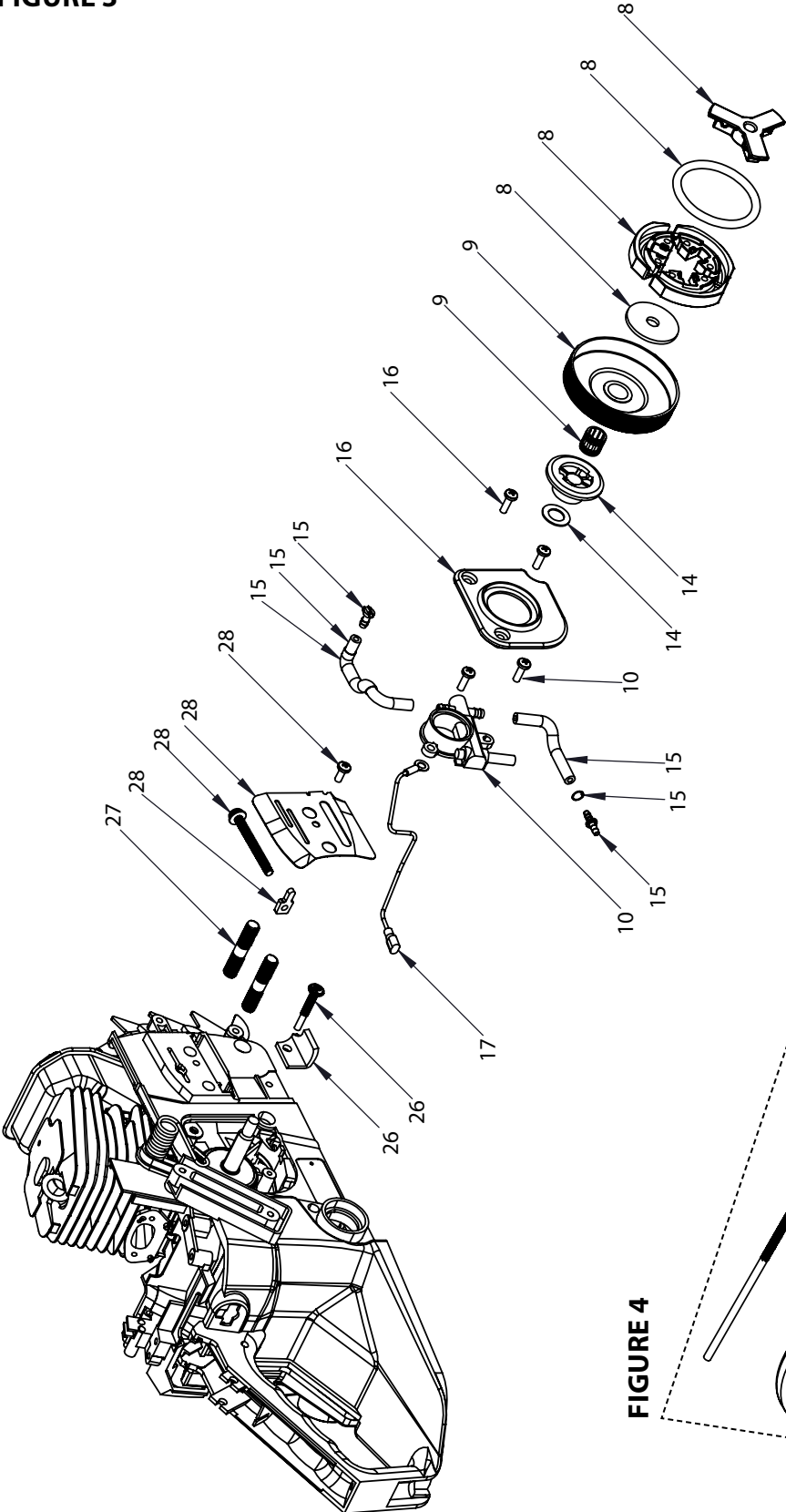
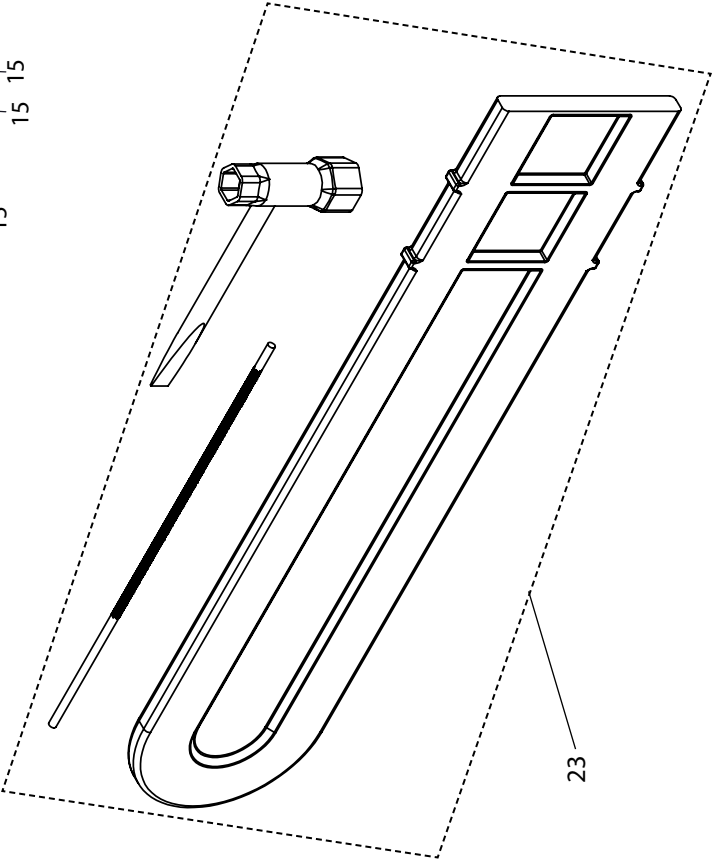


FIGURE 4



**PARTS BREAKDOWN
 CHAINSAW PARTS LIST**

KEY #	PART #	DESCRIPTION	QTY.
1	838108	KIT FORWARD HANDLE 38 AND 41CC	1
2	838106	ASSEMBLY CYLINDER SHROUD 38 AND 41CC	1
3	838136	KIT AIR CLEANER COVER 38 AND 41CC	1
4	838111	ASSEMBLY FUEL CAP 38 AND 41CC	1
5	838112	ASSEMBLY OIL CAP 38 AND 41CC	1
6	838107	KIT RECOIL CHAINSAW 38 AND 41 CC	1
7	838105	AIR FILTER CHAINSAW 38 AND 41 CC	1
8	838113	ASSEMBLY CLUTCH W/ WASHER 38 AND 41CC	1
9	838114	CLUTCH DRUM W/NEEDLE BEARING 38 AND 41CC	1
10	838116	KIT PUMP ADJUSTABLE OIL 38 AND 41CC	1
11	838118	KIT CARBURETOR REPLACEMENT 38 AND 41CC	1
12	3841CSKIT	KIT REPLACEMENT HANDLE AND TANK	1
13	838122	KIT TRIGGER ASSY 38 AND 41CC	1
14	838128	KIT WORM GEAR WITH SHIM 38 AND 41CC	1
15	838129	KIT COMPLETE OIL/FUEL LINES 38 AND 41CC	1
16	838130	KIT OILER COVER PLATE 38 AND 41CC	1
17	838132	KIT COMPLETE ELECTRICAL 38 AND 41CC	1
18	838133	KIT FLYWHEEL REPLACEMENT 38 AND 41CC	1
19	838134	KIT VIBRATION DAMPENING COMPLETE	1
20	838137	KIT MUFFLER COMPLETE 38 AND 41CC	1
21*	--	SHORT BLOCK 38CC CHAINSAW W/CHASIS	1
22*	--	SHORT BLOCK 41CC CHAINSAW W/CHASIS	1
23	10728	KIT CHAINSAW ACCESSORY PACK	1
24	10729	KIT CARBURETOR REPAIR AND ENGINE GASKETS	1
25	838100	ASSY CLUTCH COVER	1
26	838138	KIT CHAIN CATCHER 38 AND 41CC	1
27	838127	BAR STUDS	2
28	10825	KIT GUIDE BAR BASE	1
29	10573	KIT BUCKING SPIKE	1
30	FILTER	FUEL FILTER	1
31	838154	SCREW M4.8-1.6 TYPE B X 25 BLK OX	1
32	35906	SPARK PLUG L7RTC	1

* For ordering information, contact customer service for availability.