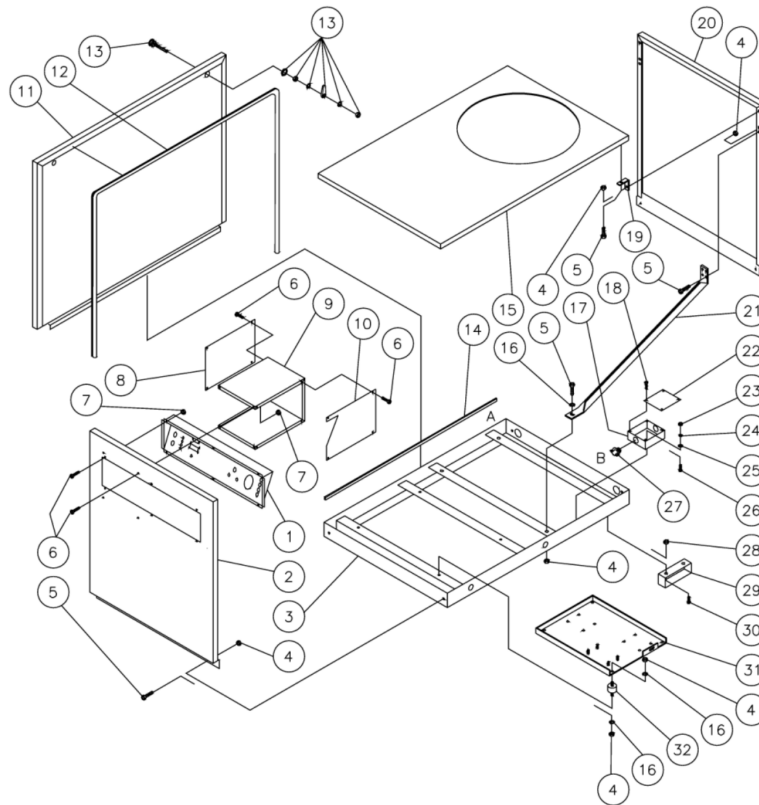




HG-2004-0M30 / HG-2004-0M30 (sn:15001176-99999999)

FRAME ASSEMBLY



| Id | Item # | Description | Quantity | Rev | Comments |
|----|------------|----------------------|----------|-----|----------|
| 1 | 20-0294A01 | CONTROL PANEL | 1 | | |
| 2 | 20-0291A05 | FRONT PANEL | 1 | | |
| 3 | 5-0084A01 | FRAME | 1 | | |
| 4 | 30-0157 | LOCKNUT | 28 | | |
| 5 | 27-0066 | BOLT | 20 | | |
| 6 | 27-2930 | SCREW | 18 | | |
| 7 | 30-0154 | LOCKNUT | 10 | | |
| 8 | 20-0296A01 | ELECTRICAL BOX PANEL | 1 | | |
| 9 | 20-0295A01 | ELECTRICAL BOX | 1 | | |
| 10 | 20-0297A01 | ELECTRICAL BOX PANEL | 1 | | |
| 11 | 20-0290A18 | SIDE PANEL | 2 | | |

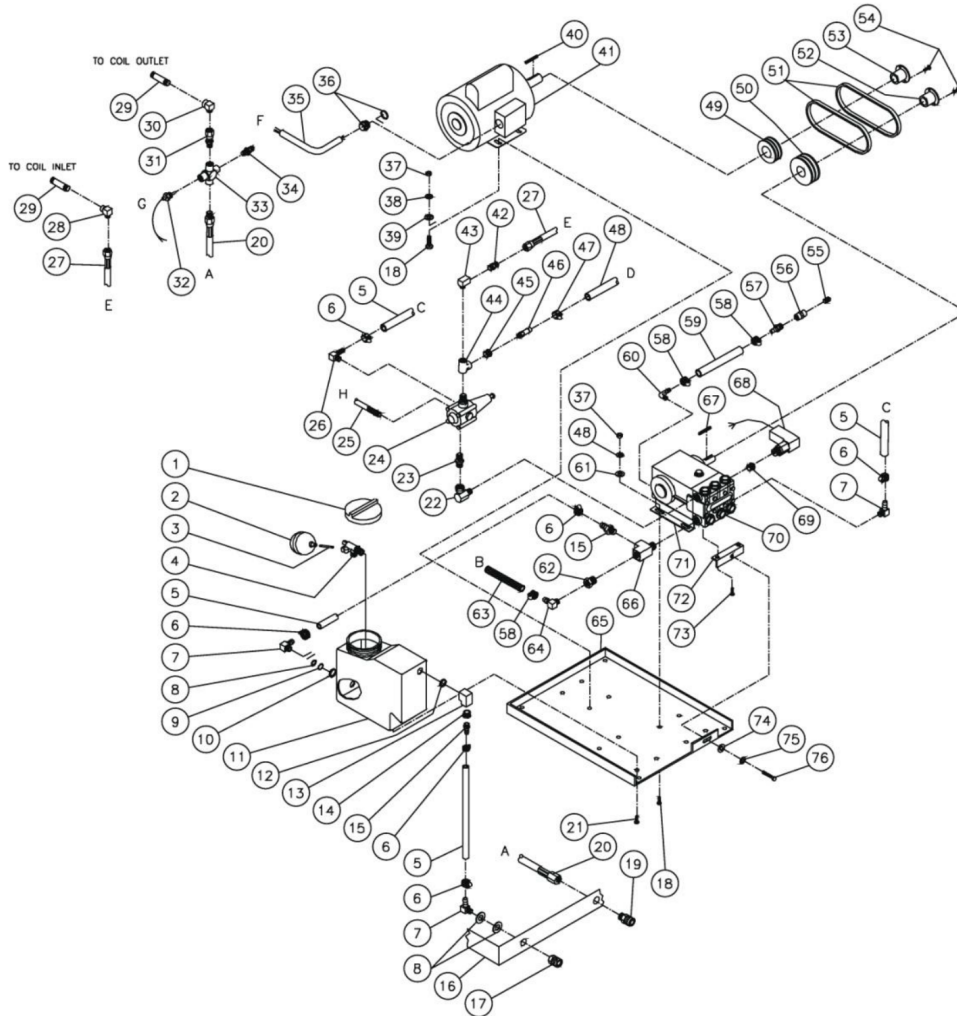
| Id | Item # | Description | Quantity | Rev | Comments |
|----|------------|----------------------------|----------|-----|----------|
| 12 | 33-0129 | EDGING *(19 FEET REQUIRED) | 1 | | |
| 13 | 33-0128 | LATCH | 4 | | |
| 14 | 33-0020 | EDGING *(11 FEET REQUIRED) | 1 | | |
| 15 | 20-0289A18 | TOP PANEL | 1 | | |
| 16 | 28-0003 | WASHER | 12 | | |
| 17 | 32-0310 | ELECTRICAL JUNCTION BOX | 1 | | |
| 18 | N/A | SCREW | 1 | | |
| 19 | 13-0102A01 | ANGLE SUPPORT | 4 | | |
| 20 | 20-0292A05 | BACK PANEL | 1 | | |
| 21 | 13-0103A01 | SUPPORT BRACKET | 4 | | |
| 22 | 33-0017 | COVER | 1 | | |
| 23 | 30-0002 | NUT | 1 | | |
| 24 | 29-0006 | LOCKWASHER | 1 | | |
| 25 | 28-0002 | WASHER | 1 | | |
| 26 | 27-0015 | BOLT | 1 | | |
| 27 | 32-0085 | CONNECTOR | 2 | | |
| 28 | 30-0159 | LOCKNUT | 8 | | |
| 29 | 20-0312A01 | FOOT | 4 | | |
| 30 | 27-0117 | BOLT | 8 | | |
| 31 | 20-0143A01 | PUMP & MOTOR MOUNT PLATE | 1 | | |
| 32 | 33-0028 | VIBRATION PADS | 4 | | |

*MUST ORDER IN ONE FOOT LENGTHS



HG-2004-0M30 / HG-2004-0M30 (sn:15001176-99999999)

MOTOR/PUMP



| Id | Item # | Description | Quantity | Rev | Comments |
|----|---------|---------------------------|----------|-----|----------|
| 1 | 39-0100 | FLOAT TANK CAP | 1 | | |
| 2 | 12-0059 | FLOAT BALL | 1 | | |
| 3 | 31-3318 | FLOAT VALVE ROD | 1 | | |
| 4 | 22-0317 | FLOAT VALVE | 1 | | |
| 5 | 15-0007 | HOSE *(TWO FEET REQUIRED) | 1 | | |
| 6 | 42-0011 | HOSE CLAMP | 6 | | |
| 7 | 23-0053 | ELBOW | 3 | | |
| 8 | 28-0050 | WASHER | 1 | | |

| Id | Item # | Description | Quantity | Rev | Comments |
|----|-----------|--------------------------------------|----------|-----|----------|
| 9 | 26-0001 | GARDEN HOSE GASKET | 1 | | |
| 10 | 30-9506 | NUT | 1 | | |
| 11 | 12-0066 | FLOAT TANK | 1 | | |
| 12 | N/A SEP. | NUT (SEE 12-0066) | 1 | | |
| 13 | 23-0391 | ELBOW | 1 | | |
| 14 | 23-0023 | BUSHING | 1 | | |
| 15 | 23-0045 | HOSE BARB | 1 | | |
| 16 | 5-0084A01 | FRAME | 1 | | |
| 17 | 23-0001 | SWIVEL | 1 | | |
| 18 | 27-0117 | BOLT | 8 | | |
| 19 | 17-0007 | QUICK CONNECT SOCKET | 1 | | |
| 20 | 15-0090 | HOSE | 1 | | |
| 21 | 27-9524 | BOLT | 4 | | |
| 22 | 24-0046 | ELBOW | 1 | | |
| 23 | 24-0002 | NIPPLE | 1 | | |
| 24 | 8-0013 | UNLOADER FOR HG-1505-0M30) | 1 | | |
| 24 | 8-0012 | UNLOADER FOR HG-2004/2205/3004-0M30) | 1 | | |
| 25 | 15-0072 | HOSE | 1 | | |
| 26 | 23-0050 | ELBOW | 1 | | |
| 27 | 15-0089 | HOSE | 1 | | |
| 28 | 24-0006 | ELBOW | 1 | | |
| 29 | 24-0103 | NIPPLE | 2 | | |
| 30 | 24-0011 | ELBOW | 1 | | |
| 31 | 24-0049 | CONNECT | 1 | | |
| 32 | 22-0118 | THERMO PROBE | 1 | | |
| 33 | 24-0001 | CROSS | 1 | | |
| 34 | 32-0303 | HIGH LIMIT TEMPERATURE CONTORL | 1 | | |
| 35 | 32-0023 | CORD *(THREE FEET REQUIRED) | 1 | | |
| 36 | 32-0085 | CONNECTOR | 1 | | |
| 37 | 30-0006 | NUT | 8 | | |
| 38 | 29-0008 | LOCKWASHER | 8 | | |
| 39 | 28-0023 | WASHER | 4 | | |
| 40 | 43-0039 | KEY WITH MOTOR | 1 | | |
| 41 | 2-0011 | MOTOR FOR HG-1505/2004-0M30 | 1 | | |
| 41 | 2-0015 | MOTOR FOR HG-2205/3004-0M30 | 1 | | |
| 42 | 24-0010 | NIPPLE | 1 | | |
| 43 | 24-0105 | ELBOW | 1 | | |
| 44 | 24-0026 | TEE | 1 | | |
| 45 | 23-0017 | BUSHING | 1 | | |

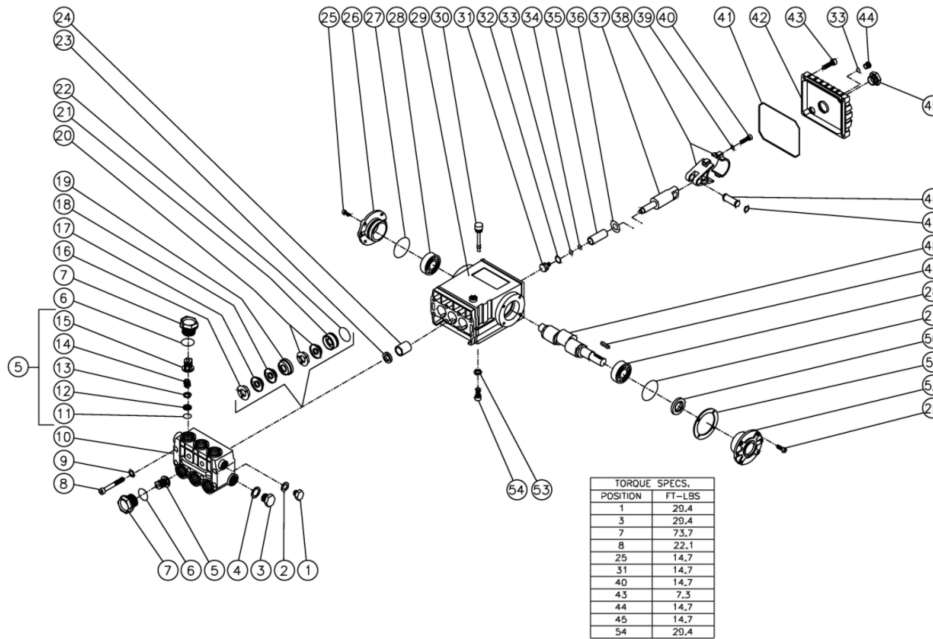
| Id | Item # | Description | Quantity | Rev | Comments |
|----|------------|-------------------------------------|----------|-----|----------|
| 46 | 22-0048 | POP-OFF VALVE | 1 | | |
| 47 | 42-0003 | HOSE CLAMP | 1 | | |
| 48 | 15-0033 | HOSE *(TWO FEET REQUIRED) | 1 | | |
| 49 | 10-0029 | MOTOR SHEAVE FOR HG-1505/2004-0M30 | 1 | | |
| 49 | 10-0030 | MOTOR SHEAVE FOR HG-2205/3004-0M30 | 1 | | |
| 50 | 10-0065 | PUMP SHEAVE FOR HG-1505-0M30 | 1 | | |
| 50 | 10-0026 | PUMP SHEAVE FOR HG-2004-0M30 | 1 | | |
| 50 | 10-0035 | PUMP SHEAVE FOR HG-2205/3004-0M30 | 1 | | |
| 51 | 11-0031 | BELT FOR HG-1505-0M30 | 1 | | |
| 51 | 11-0006 | BELT FOR HG-2004-0M30 | 1 | | |
| 51 | 11-0030 | BELT FOR HG-2205/3004-0M30 | 1 | | |
| 52 | 9-0017 | PUMP BUSHING | 1 | | |
| 53 | 9-0010 | MOTOR BUSHING FOR HG-1505/2004-0M30 | 1 | | |
| 53 | 9-0008 | MOTOR BUSHING FOR HG-2205/3004-0M30 | 1 | | |
| 54 | 27-0015 | BOLT | 1 | | |
| 55 | 24-0009 | PLUG | 1 | | |
| 56 | 23-0002 | CONNECTOR | 1 | | |
| 57 | 23-0069 | HOSE BARB | 1 | | |
| 58 | 42-0004 | HOSE CLAMP | 3 | | |
| 59 | 15-0020 | HOSE *(TWO FEET REQUIRED) | 1 | | |
| 60 | 23-0123 | ELBOW | 1 | | |
| 61 | 28-0030 | WASHER | 4 | | |
| 62 | 23-0056 | REDUCER | 1 | | |
| 63 | 15-0079 | HOSE *(THREE FEET REQUIRED) | 1 | | |
| 64 | 23-0054 | ELBOW | 1 | | |
| 65 | 20-0143A01 | PLATE | 1 | | |
| 66 | 23-0124 | TEE | 1 | | |
| 67 | 43-0048 | KEY WITH PUMP | 1 | | |
| 68 | 22-0243 | PRESSURE SWITCH ASSEMBLY | 1 | | |
| 69 | 23-0056 | REDUCER | 1 | | |
| 70 | 3-0008 | PUMP FOR HG-1505/2004-0M30 | 1 | | |
| 70 | 3-0009 | PUMP FOR HG-2205-0M30 | 1 | | |
| 70 | 3-0011 | PUMP FOR HG-3004-0M30 | 1 | | |
| 71 | 46-0066 | PUMP FOOT | 2 | | |
| 72 | 13-0050A01 | PUMP TIGHTENER | 1 | | |
| 73 | 27-8471 | BOLT WITH PUMP | 4 | | |
| 74 | 28-0003 | WASHER | 1 | | |
| 75 | 29-0007 | LOCKWASHER | 1 | | |
| 76 | 27-0526 | BOLT | 1 | | |

| Id | Item # | Description | Quantity | Rev | Comments |
|----|--------|---------------------------------|----------|-----|----------|
| | | *MUST ORDER IN ONE FOOT LENGTHS | | | |



HG-2004-0M30 / HG-2004-0M30 (sn:15001176-99999999)

PUMP ASSEMBLY

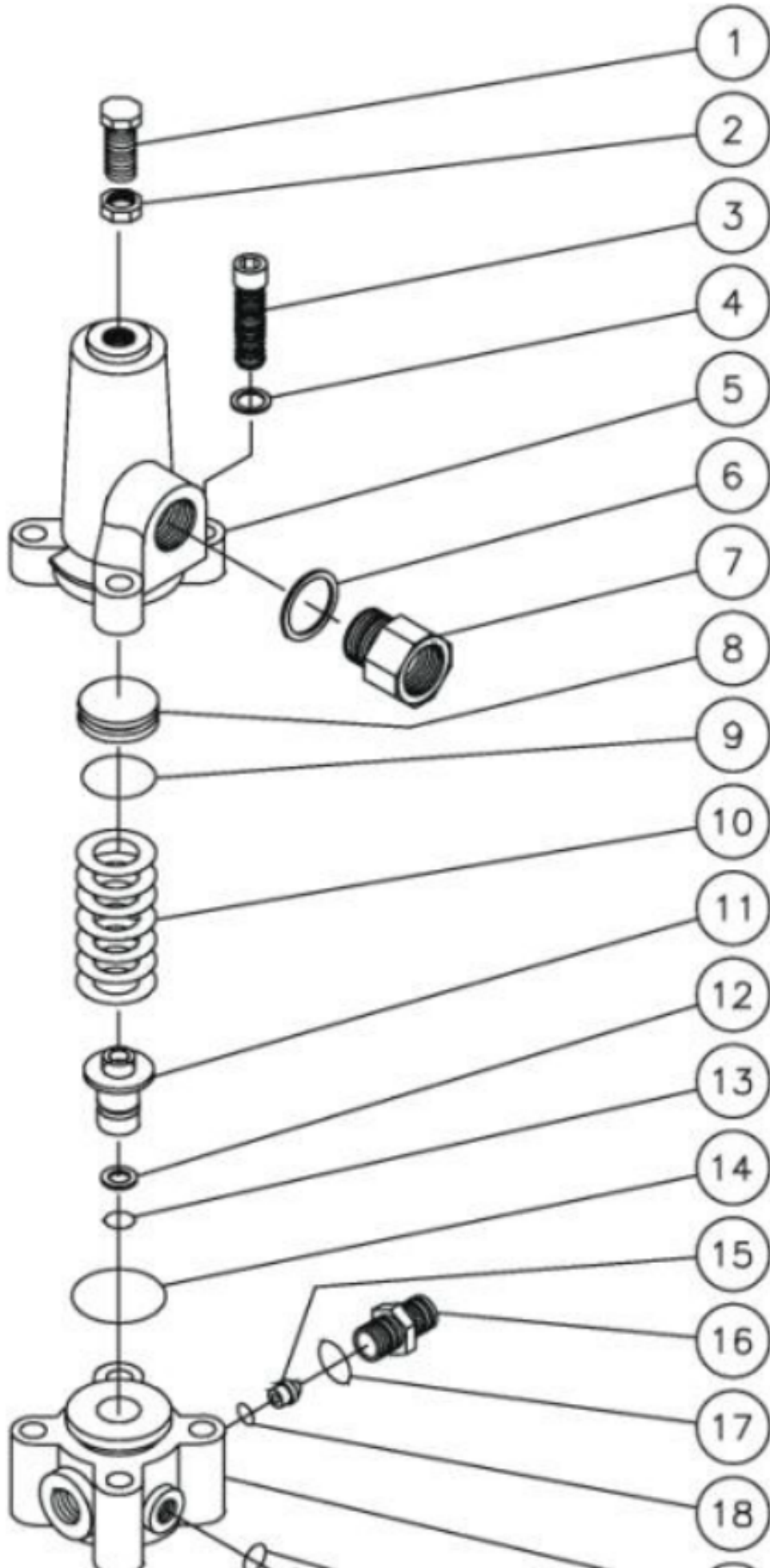


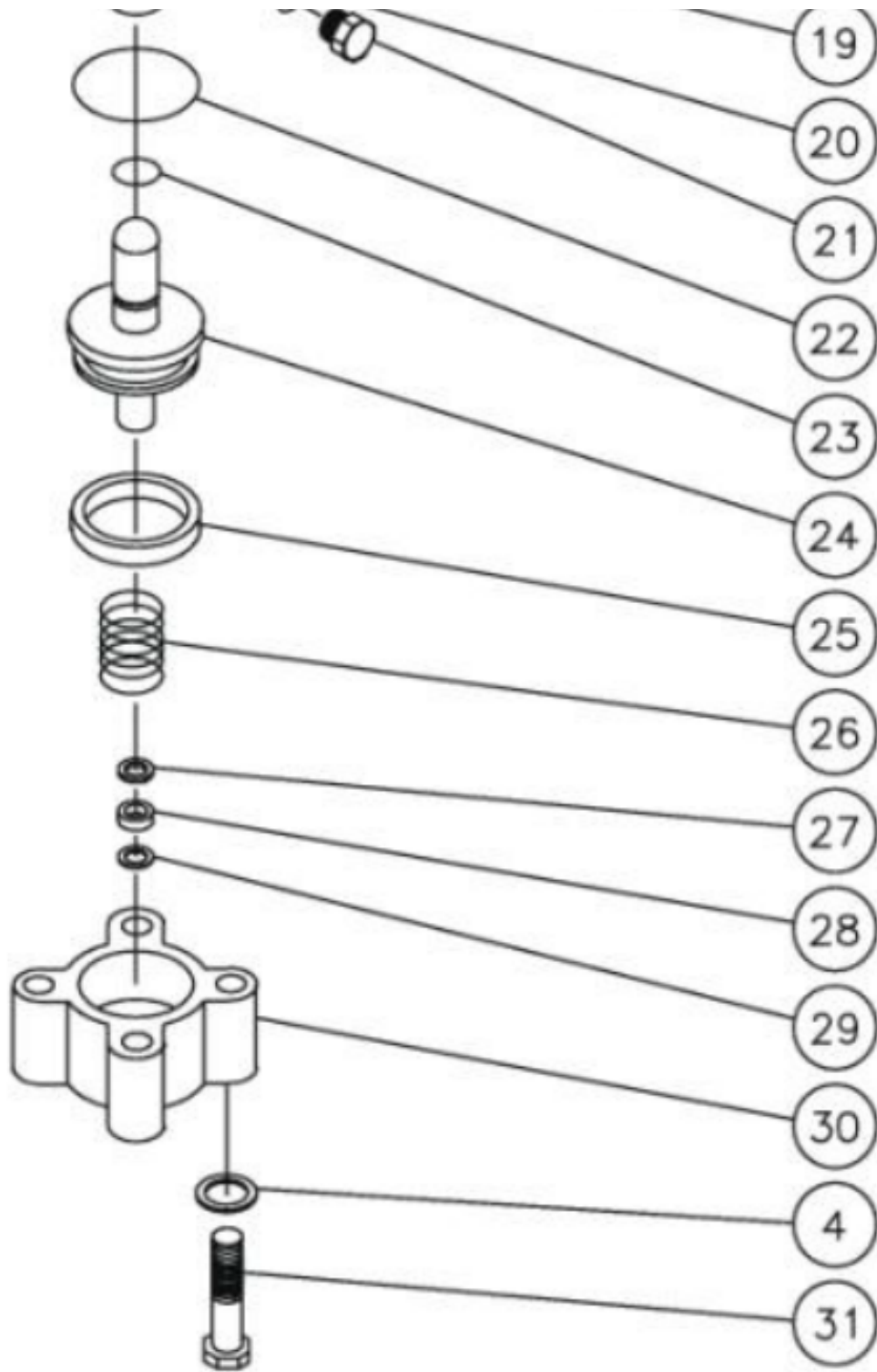
| Id | Item # | Description | Quantity | Rev | Comments |
|----|----------|---|----------|-----|----------|
| 1 | 39-0018 | PLUG | 1 | | |
| 2 | 28-1002 | WASHER | 1 | | |
| 3 | 39-0019 | PLUG | 1 | | |
| 4 | 28-1038 | WASHER | 1 | | |
| 5 | N/A Sep. | VALVE ASSEMBLY (INCLUDES 11-15) (SEE 70-0009) | 6 | | |
| 6 | 25-0012 | O-RING | 6 | | |
| 7 | 39-0020 | VALVE PLUG | 6 | | |
| 8 | 27-8185 | BOLT | 8 | | |
| 9 | 28-1039 | FLATWASHER | 8 | | |
| 10 | 46-0060 | PUMP MANIFOLD | 1 | | |
| 11 | N/A Sep. | O-RING (SEE 70-0009) | 6 | | |
| 12 | N/A SEP. | VALVE SEAT (SEE 70-0009) | 6 | | |
| 13 | N/A SEP. | VALVE PLATE (SEE 70-0009) | 6 | | |
| 14 | N/A Sep. | VALVE SPRING (SEE 70-0009) | 6 | | |
| 15 | N/A SEP. | VALVE CAGE (SEE 70-0009) | 6 | | |

| Id | Item # | Description | Quantity | Rev | Comments |
|----|----------|--|----------|-----|----------|
| 16 | N/A Sep. | HEAD RING (SEE 70-0030, 852-0122) | 3 | | |
| 17 | N/A Sep. | HIGH PRESSURE V-PACKING (SEE 70-0147, 852-0122) | 3 | | |
| 18 | N/A Sep. | RE-STOP V-PACKING SUPPORT (SEE 70-0147, 852-0122, 70-0148) | 3 | | |
| 19 | 46-0659 | HIGH PRESSURE INTERMEDIATE SEAL RETAINER (SEE 70-0148) | 3 | | |
| 20 | N/A SEP. | LOW PRESSURE SEAL (SEE 70-0147, 852-0122) | 3 | | |
| 21 | 46-0057 | LOW PRESSURE SEAL RETAINER | 3 | | |
| 22 | 25-0015 | O-RING (SEE 852-0122) | 3 | | |
| 23 | 26-0047 | OIL SEAL | 3 | | |
| 24 | 9-0029 | BUSHING | 3 | | |
| 25 | 27-8431 | BOLT | 8 | | |
| 26 | 46-0336 | CRANKCASE COVER-CLOSED | 1 | | |
| 27 | 25-0013 | O-RING | 2 | | |
| 28 | 48-0012 | BEARING | 2 | | |
| 29 | 46-0047 | CRANKCASE | 1 | | |
| 30 | 46-0144 | OIL DIPSTICK | 1 | | |
| 31 | 46-0069 | PISTON BOLT | 3 | | |
| 32 | 28-0400 | WASHER | 3 | | |
| 33 | 25-0014 | O-RING | 4 | | |
| 34 | 46-0109 | BACK-UP RING | 3 | | |
| 35 | 46-0052 | PLUNGER | 3 | | |
| 36 | 46-0146 | SLINGER WASHER | 3 | | |
| 37 | 46-0056 | PISTON ROD | 3 | | |
| 38 | 46-0051 | CONNECTING ROD | 3 | | |
| 39 | 29-0154 | LOCKWASHER | 6 | | |
| 40 | 27-8435 | BOLT | 6 | | |
| 41 | 25-0339 | O-RING COVER | 1 | | |
| 42 | 46-0064 | CRANKCASE COVER | 1 | | |
| 43 | 27-8404 | BOLT | 5 | | |
| 44 | 39-0017 | PLUG | 1 | | |
| 45 | 46-0114 | OIL LEVEL INDICATOR | 1 | | |
| 46 | 43-0032 | CONNECTING ROD PIN | 3 | | |
| 47 | 46-0103 | RETAINING RING | 6 | | |
| 48 | 46-0050 | CRANKSHAFT | 1 | | |
| 49 | 43-0048 | KEY | 1 | | |
| 50 | 26-0049 | OIL SEAL | 1 | | |
| 51 | 46-0113 | SHIM | 1 | | |
| 52 | 46-0296 | CRANKCASE COVER-OPEN | 1 | | |
| 53 | 29-0055 | LOCKWASHER | 4 | | |
| 54 | 27-8471 | BOLT | 4 | | |

| Id | Item # | Description | Quantity | Rev | Comments |
|-----------|---------------|---|-----------------|------------|-----------------|
| KIT | 70-0009 | VALVE KIT (INC. 6 EACH OF 5, 11-15) | | | |
| KIT | 70-0030 | HEAD RING KIT (INC. 3 EACH OF 16) | | | |
| KIT | 70-0147 | PACKING KIT (INC. 3 EACH OF 17-18, 20)) | | | |
| KIT | 852-0122 | PACKING ASSEMBLY KIT (INC. 3 EACH OF 16-18, 20, 22) | | | |
| KIT | 70-0148 | INTERMEDIATE RETAINER KIT (INC. 3 EACH OF 18-19) | | | |

UNLOADER ASSEMBLY





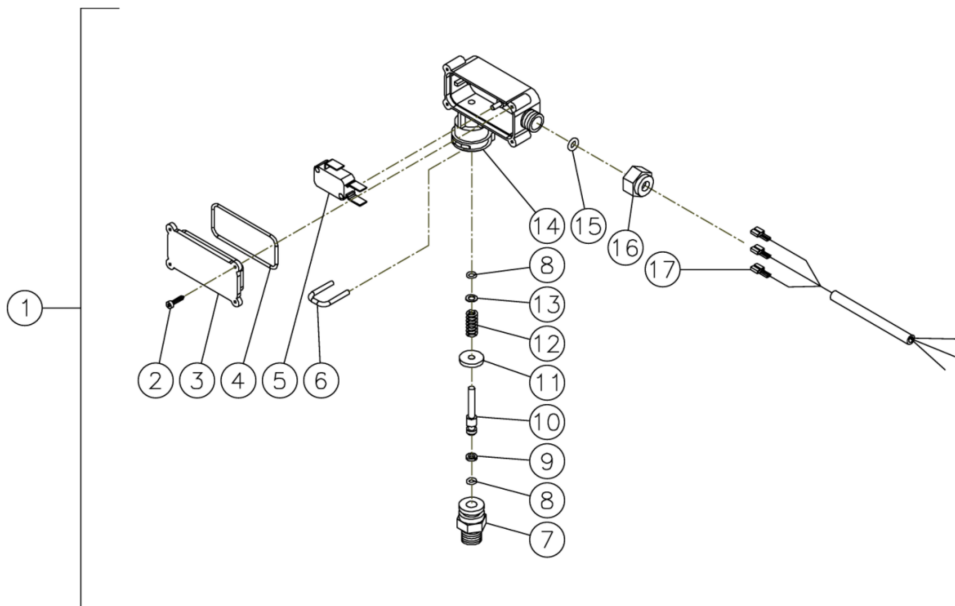
| Id | Item # | Description | Quantity | Rev | Comments |
|----|---------|-----------------------------|----------|-----|----------|
| 1 | 27-8077 | BOLT | 1 | | |
| 2 | 30-3010 | HEX NUT | 1 | | |
| 3 | 27-8434 | BOLT | 4 | | |
| 4 | 29-0154 | LOCKWASHER | 8 | | |
| 5 | 8-0138 | UPPER BODY | 1 | | |
| 6 | 8-0277 | WASHER | 1 | | |
| 7 | 8-0125 | BY-PASS RESTRICTOR (8-0012) | 1 | | |
| 7 | 8-0124 | BY-PASS RESTRICTOR (8-0013) | 1 | | |
| 8 | 8-0135 | SPRING GUIDE | 1 | | |

| Id | Item # | Description | Quantity | Rev | Comments |
|-----|----------|---|----------|-----|----------|
| 9 | 25-0118 | O-RING | 1 | | |
| 10 | 49-0026 | SPRING | 1 | | |
| 11 | 8-0145 | VALVE SEAT | 1 | | |
| 12 | 8-0141 | BACK-UP RING | 1 | | |
| 13 | 25-0121 | O-RING | 1 | | |
| 14 | 25-0117 | O-RING | 1 | | |
| 15 | 8-0126 | FLOW BALANCER FOR 8-0012 | 1 | | |
| 15 | 8-0128 | FLOW BALANCER FOR 8-0013 | 1 | | |
| 16 | 8-0130 | NIPPLE | 1 | | |
| 17 | 25-0052 | O-RING | 1 | | |
| 18 | 25-0119 | O-RING | 1 | | |
| 19 | 8-0137 | MIDDLE BODY | 1 | | |
| 20 | 25-0114 | O-RING | 2 | | |
| 21 | 39-0017 | HEX PLUG | 2 | | |
| 22 | 25-0056 | O-RING | 1 | | |
| 23 | 25-0120 | O-RING | 1 | | |
| 24 | 8-0136 | PISTON ASSEMBLY | 1 | | |
| 25 | 26-0104 | SEAL | 1 | | |
| 26 | 49-0027 | SPRING | 1 | | |
| 27 | 8-0139 | WASHER | 1 | | |
| 28 | 26-0105 | SEAL | 1 | | |
| 29 | 8-0140 | BACK-UP RING | 1 | | |
| 30 | 8-0134 | LOWER BODY | 1 | | |
| 31 | 27-8037 | BOLT | 4 | | |
| KIT | 70-0013 | UNLOADER REPAIR KIT (INC. 9, 11, 13, 14, 17, 18, 20, 22-26, 28, 29) | | | |
| KIT | 852-0015 | UNLAODER ORIFICE KIT (INC. 7, 15, 16) FOR 8-0013 | | | |
| KIT | 852-0014 | UNLAODER ORIFICE KIT (INC. 7, 15, 16) FOR 8-0012 | | | |



HG-2004-0M30 / HG-2004-0M30 (sn:15001176-99999999)

PRESSURE SWITCH



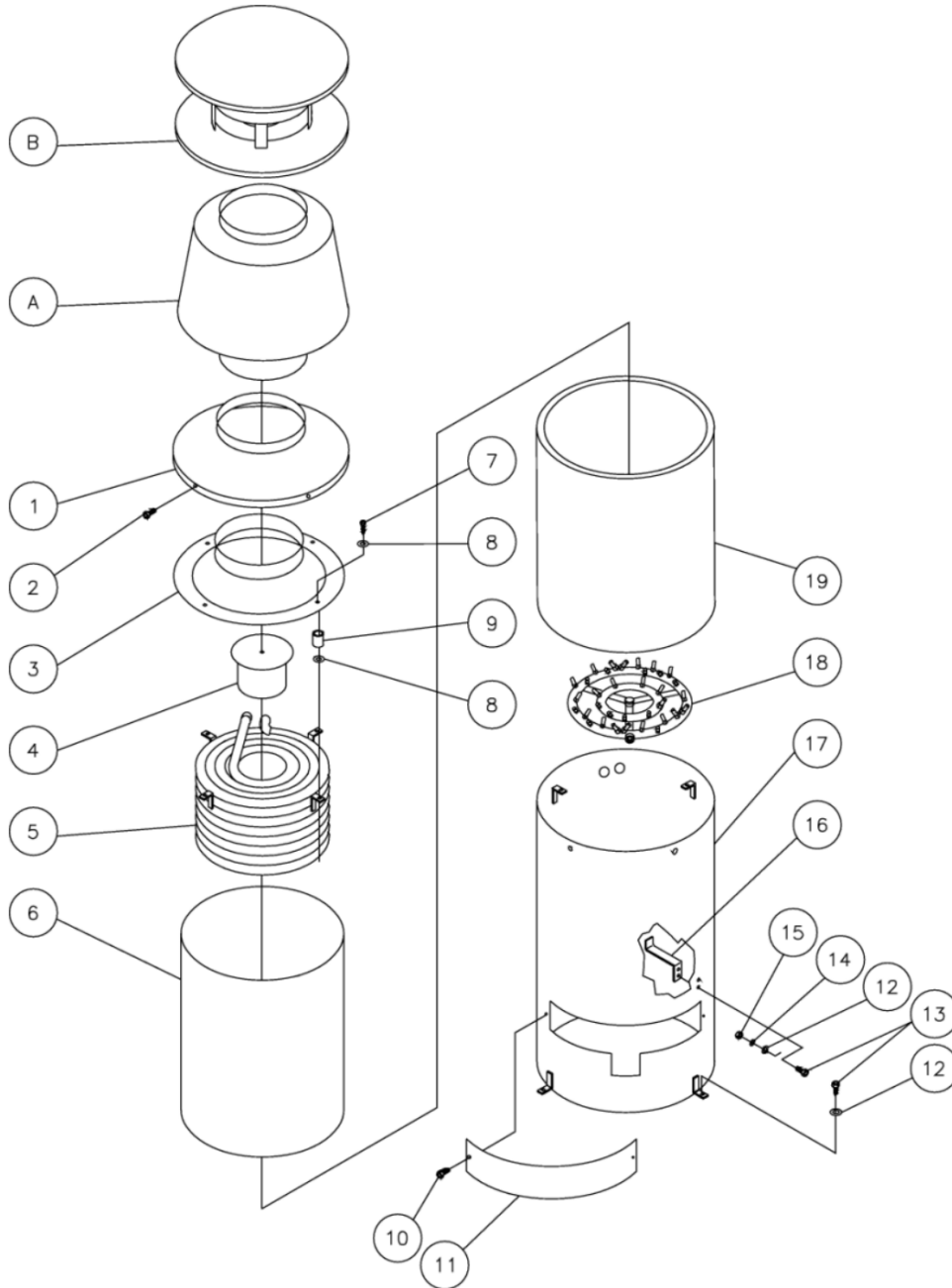
| Id | Item # | Description | Quantity | Rev | Comments |
|----|----------|----------------------------|----------|-----|----------|
| 1 | 22-0171 | PRESSURE SWITCH- 15 BAR | 1 | | |
| 1 | 22-0243 | PRESSURE SWITCH- 25 BAR | 1 | | |
| 2 | N/A | SCREW | 4 | | |
| 3 | N/A | COVER | 1 | | |
| 4 | N/A Sep. | O-RING (SEE 70-0306) | 1 | | |
| 5 | N/A | MICRO SWITCH | 1 | | |
| 6 | N/A | RETAINER CLIP | 1 | | |
| 7 | N/A | BODY | 1 | | |
| 8 | N/A Sep. | O-RING (SEE 70-0306) | 2 | | |
| 9 | N/A Sep. | BACK-UP RING (SEE 70-0306) | 1 | | |
| 10 | N/A | PISTON | 1 | | |
| 11 | N/A | WASHER | 1 | | |
| 12 | 49-0144 | SPRING- 15 BAR | 1 | | |
| 12 | 49-0145 | SPRING- 25 BAR | 1 | | |
| 13 | N/A | WASHER | 1 | | |
| 14 | N/A | PLASTIC HOUSING | 1 | | |

| Id | Item # | Description | Quantity | Rev | Comments |
|-----------|---------------|-------------------------------------|-----------------|------------|-----------------|
| 15 | N/A Sep. | O-RING (SEE 70-0306) | 1 | | |
| 16 | N/A | NUT- 15 BAR | 1 | | |
| 16 | N/A | NUT- 25 BAR | 1 | | |
| 17 | N/A | WIRE ASSEMBLY | 1 | | |
| KIT | 70-0306 | O-RING REPAIR KIT (INC. 4, 8-9, 15) | | | |



HG-2004-0M30 / HG-2004-0M30 (sn:15001176-99999999)

BOILER ASSEMBLY



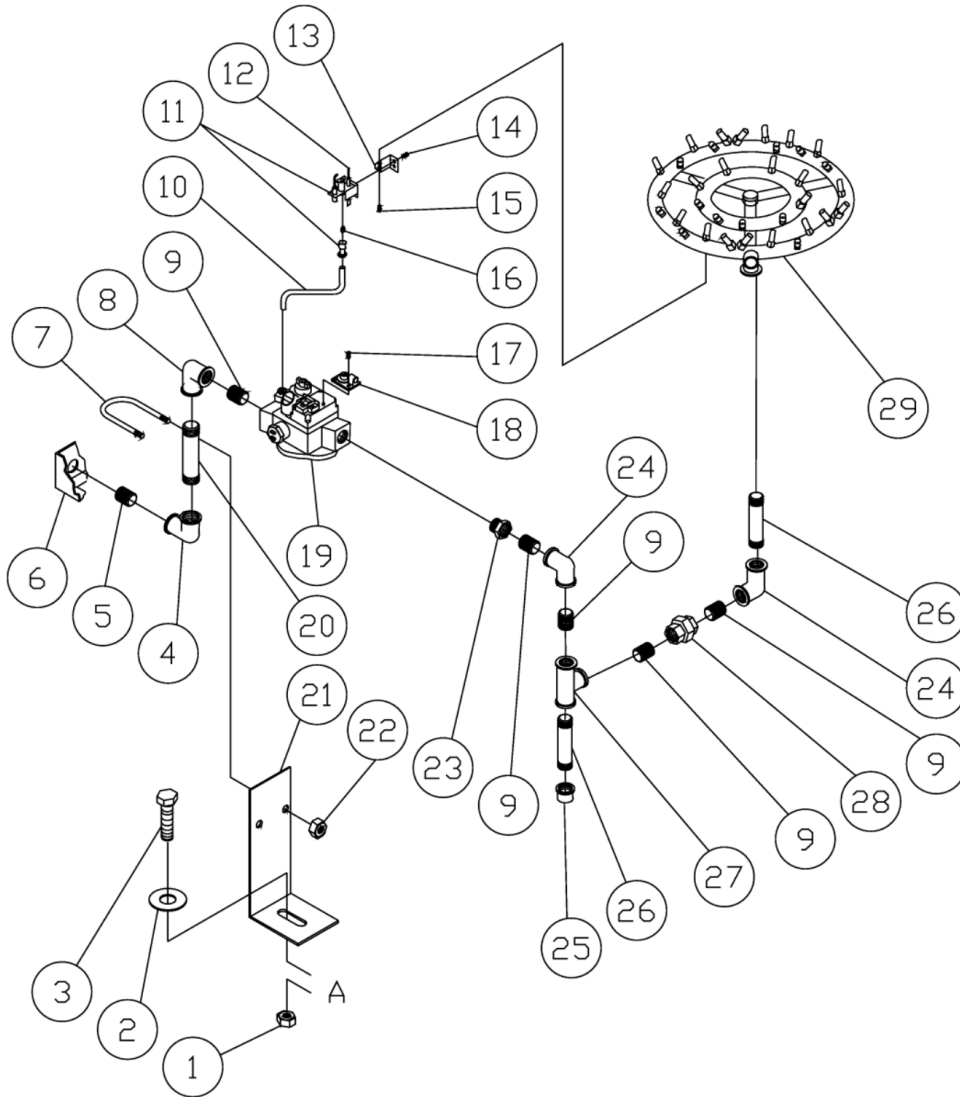
| Id | Item # | Description | Quantity | Rev | Comments |
|----|------------|-------------|----------|-----|----------|
| 1 | 20-0299A01 | SPUN DOME | 1 | | |
| 2 | 27-2930 | SCREW | 4 | | |
| 3 | 20-0302 | SPUN DOME | 1 | | |

| Id | Item # | Description | Quantity | Rev | Comments |
|-----------|---------------|-----------------------|-----------------|------------|-----------------|
| 4 | 20-0300 | TARGET ASSEMBLY | 1 | | |
| 5 | 850-0130 | COIL | 1 | | |
| 6 | 850-0133 | ROLLED INNER WRAP | 1 | | |
| 6 | 57-0028 | INNER WRAP | 1 | | |
| 7 | 27-0069 | BOLT | 4 | | |
| 8 | 28-0023 | WASHER | 8 | | |
| 9 | 21-0082 | SPACER | 4 | | |
| 10 | 27-3062 | BOLT | 2 | | |
| 11 | 20-0301A01 | COVER | 1 | | |
| 12 | 28-0003 | WASHER | 10 | | |
| 13 | 27-0067 | BOLT | 10 | | |
| 14 | 29-0007 | LOCKWASHER | 6 | | |
| 15 | 30-0004 | HEX NUT | 6 | | |
| 16 | 13-0104A01 | BRACKET | 3 | | |
| 17 | 20-0293A01 | OUTER COIL WRAP | 1 | | |
| 18 | 4-0011 | BURNER | 1 | | |
| 19 | 850-0132 | INSULATION BLANKET | 1 | | |
| A | 50-0061 | DRAFT DIVERTER OPTION | | | |
| B | 50-0062 | RAIN CAP OPTION | | | |



HG-2004-0M30 / HG-2004-0M30 (sn:15001176-99999999)

BURNER/PIPING



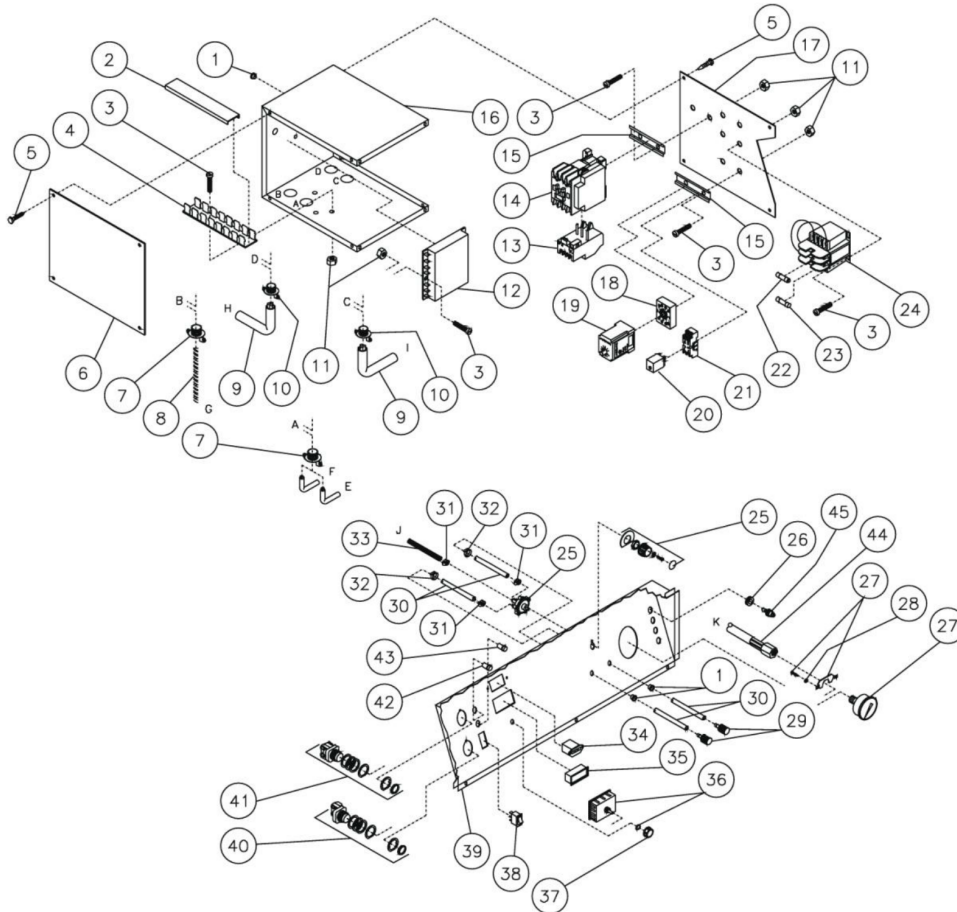
| Id | Item # | Description | Quantity | Rev | Comments |
|----|-----------|-------------|----------|-----|----------|
| 1 | 30-0157 | LOCKNUT | 1 | | |
| 2 | 28-0003 | WASHER | 1 | | |
| 3 | 27-0066 | BOLT | 1 | | |
| 4 | 24-0096 | ELBOW | 1 | | |
| 5 | 24-0012 | NIPPLE | 1 | | |
| 6 | 5-0084A01 | FRAME | 1 | | |
| 7 | 31-2008 | U-BOLT | 1 | | |

| Id | Item # | Description | Quantity | Rev | Comments |
|-----------|---------------|---------------------|-----------------|------------|-----------------|
| 8 | 24-0098 | ELBOW | 1 | | |
| 9 | 24-0095 | NIPPLE | 4 | | |
| 10 | 54-0027 | TUBING | 1 | | |
| 11 | 44-0074 | IGNITOR | 1 | | |
| 12 | 44-0075 | SENSOR | 1 | | |
| 13 | 13-0107A01 | BRACKET | 1 | | |
| 14 | 27-2096 | SCREW | 2 | | |
| 15 | 27-0014 | BOLT | 2 | | |
| 16 | 44-0078 | ORIFICE - NG PILOT | 1 | | |
| 17 | N/A SEP. | SCREW (SEE 70-0078) | 1 | | |
| 18 | 70-0078 | REGULATOR KIT | 1 | | |
| 19 | 22-0144 | GAS REGULATOR | 1 | | |
| 20 | 24-0252 | NIPPLE | 1 | | |
| 21 | 13-0106A01 | BRACKET | 1 | | |
| 22 | 30-0155 | LOCKNUT | 1 | | |
| 23 | 24-0106 | BUSHING | 1 | | |
| 24 | 24-0102 | ELBOW | 2 | | |
| 25 | 24-0099 | CAP | 1 | | |
| 26 | 24-0081 | NIPPLE | 2 | | |
| 27 | 24-0253 | TEE | 1 | | |
| 28 | 24-0101 | UNION | 1 | | |
| 29 | 4-0011 | BURNER | 1 | | |



HG-2004-0M30 / HG-2004-0M30 (sn:15001176-99999999)

CONTROL PANEL



| Id | Item # | Description | Quantity | Rev | Comments |
|----|------------|--|----------|-----|----------|
| 1 | 9-0028 | BUSHING | 3 | | |
| 2 | 32-0318 | DUCT COVER *(1 FOOT REQUIRED) | 1 | | |
| 3 | 27-2930 | SCREW | 11 | | |
| 4 | 32-0317 | DUCT BASE *(1 FOOT REQUIRED) | 1 | | |
| 5 | 27-3062 | BOLT | 8 | | |
| 6 | 20-0296A01 | ELECTRIC BOX PANEL | 1 | | |
| 7 | 32-0076 | CONNECTOR | 2 | | |
| 8 | 32-0114 | WRAP *(3 FEET REQUIRED) | 1 | | |
| 9 | 32-0023 | CORD *(8 FEET REQUIRED) FOR HG-0M30 SERIES | 1 | | |
| 10 | 32-0085 | CONNECTOR | 2 | | |

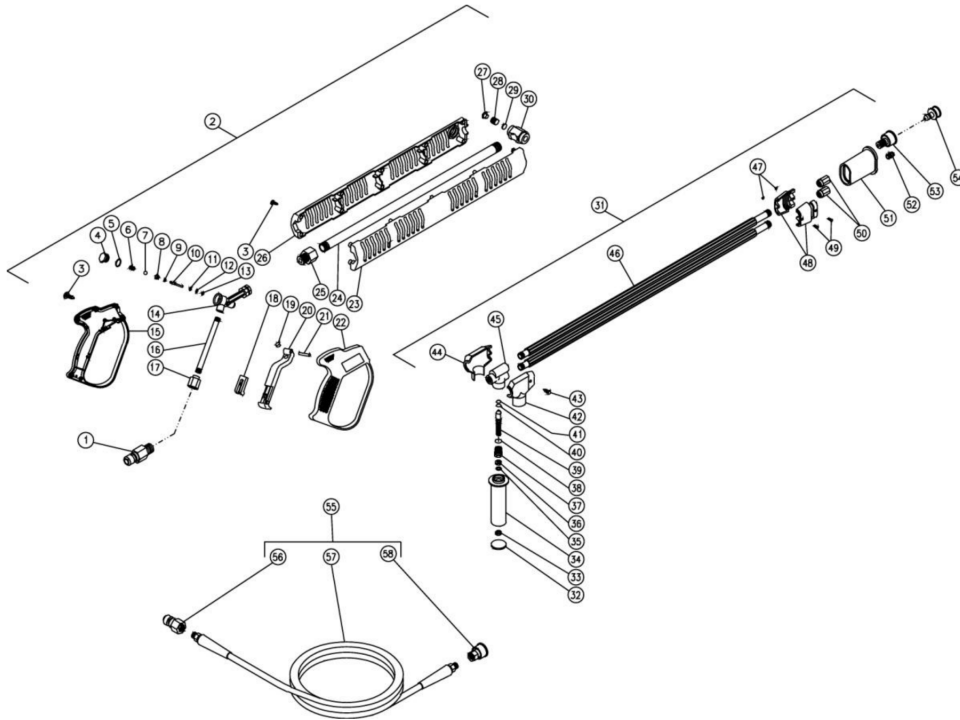
| Id | Item # | Description | Quantity | Rev | Comments |
|-----------|---------------|---------------------------------|-----------------|------------|-----------------|
| 11 | 30-0154 | LOCKNUT | 8 | | |
| 12 | 32-0319 | CONTROLLER | 1 | | |
| 13 | 32-0482 | OVERLOAD FOR HG-1505/2004-0M30 | 1 | | |
| 13 | 32-0483 | OVERLOAD FOR HG-2205/3004-0M30 | 1 | | |
| 14 | 32-0327 | CONTACTOR FOR HG-1505/2004-0M30 | 1 | | |
| 14 | 32-0329 | CONTACTOR FOR HG-2205/3004-0M30 | 1 | | |
| 15 | 32-0316 | DIN RAIL *(1 FOOT REQUIRED) | 1 | | |
| 16 | 20-0295A01 | ELECTRICAL BOX | 1 | | |
| 17 | 20-0297A01 | ELECTRICAL BOX PANEL | 1 | | |
| 18 | 32-0315 | BASE SOCKET | 1 | | |
| 19 | 32-0314 | TIMER | 1 | | |
| 20 | 32-0320 | RELAY | 1 | | |
| 21 | 32-0321 | RELAY SOCKET | 1 | | |
| 22 | 32-0325 | FUSE-PRIMARY | 2 | | |
| 23 | 32-0323 | FUSE-SECONDARY | 1 | | |
| 24 | 32-0313 | TRANSFORMER | 1 | | |
| 25 | 22-0090 | VALVE | 1 | | |
| 26 | 33-0001 | GROMMET | 4 | | |
| 27 | 22-0073 | GAUGE | 1 | | |
| 28 | 30-0202 | HEX NUT | 2 | | |
| 29 | 19-0002 | STRAINER | 2 | | |
| 30 | 15-0021 | HOSE *(10 FEET REQUIRED) | 21 | | |
| 31 | 42-0004 | HOSE CLAMP | 3 | | |
| 32 | 33-0022 | CABLE TIE | 2 | | |
| 33 | 15-0079 | HOSE *(3 FEET REQUIRED) | 1 | | |
| 34 | 32-0431 | HOUR METER | 1 | | |
| 35 | 22-0142 | TEMPERATURE METER | 1 | | |
| 36 | 22-0143 | THERMOSTAT | 1 | | |
| 37 | 7-0054 | KNOB | 1 | | |
| 38 | 32-0309 | SWITCH | 1 | | |
| 39 | 20-0294A01 | CONTROL PANEL | 1 | | |
| 40 | 32-0306 | SWITCH | 1 | | |
| 41 | 32-0305 | SWITCH | 1 | | |
| 41 | 32-0415 | CONTACT BLOCK | 1 | | |
| 42 | 32-0307 | INDICATOR LIGHT | 1 | | |
| 43 | 32-0308 | INDICATOR LIGHT | 1 | | |
| 44 | 15-0072 | HOSE | 1 | | |
| 45 | 18-0112 | NOZZLE - 0 FOR HG-1505 00075 | 1 | | |
| 45 | 18-0003 | NOZZLE - 0 FOR HG-2004 00050 | 1 | | |

| Id | Item # | Description | Quantity | Rev | Comments |
|-----------|---------------|---------------------------------|-----------------|------------|-----------------|
| 45 | 18-0013 | NOZZLE - 0 FOR HG-2205 00060 | 1 | | |
| 45 | 18-0028 | NOZZLE - 0 FOR HG-3004 00040 | 1 | | |
| 45 | 18-0025 | NOZZLE - 15 FOR HG-1505 15075 | 1 | | |
| 45 | 18-0004 | NOZZLE - 15 FOR HG-2004 15050 | 1 | | |
| 45 | 18-0014 | NOZZLE - 15 FOR HG-2205 15060 | 1 | | |
| 45 | 18-0029 | NOZZLE - 15 FOR HG-3004 15040 | 1 | | |
| 45 | 18-0027 | NOZZLE - 25 FOR HG-1505 25075 | 1 | | |
| 45 | 18-0153 | NOZZLE - 25 FOR HG-2004 25055 | 1 | | |
| 45 | 18-0043 | NOZZLE - 25 FOR HG-2205 25050 | 1 | | |
| 45 | 18-0030 | NOZZLE - 25 FOR HG-3004 25040 | 1 | | |
| 45 | 18-0103 | NOZZLE - 40 FOR HG-1505 40075 | 1 | | |
| 45 | 18-0180 | NOZZLE - 40 FOR HG-2004 40050 | 1 | | |
| 45 | 18-0044 | NOZZLE - 40 FOR HG-2205 40060 | 1 | | |
| 45 | 18-0031 | NOZZLE - 40 FOR HG-3004 40040 | 1 | | |
| | | *MUST ORDER IN ONE FOOT LENGTHS | | | |



HG-2004-0M30 / HG-2004-0M30 (sn:15001176-99999999)

DUAL LANCE



| Id | Item # | Description | Quantity | Rev | Comments |
|----|----------|----------------------------------|----------|-----|----------|
| 1 | 17-0005 | QUICK CONNECT PLUG | 1 | | |
| 2 | 850-0179 | GUN W/LANCE ASSEMBLY (INC. 3-30) | 1 | | |
| 3 | 27-8382 | SCREW | 13 | | |
| 4 | N/A Sep. | PLUG (SEE 70-0057) | 1 | | |
| 5 | N/A Sep. | O-RING (SEE 70-0057) | 1 | | |
| 6 | N/A Sep. | SPRING (SEE 70-0057) | 1 | | |
| 7 | N/A Sep. | BALL (SEE 70-0057) | 1 | | |
| 8 | N/A Sep. | SEAT (SEE 70-0057) | 1 | | |
| 9 | N/A Sep. | O-RING (SEE 70-0057) | 1 | | |
| 10 | N/A Sep. | PIN (SEE 70-0057) | 1 | | |
| 11 | N/A Sep. | WASHER (SEE 70-0057) | 1 | | |
| 12 | N/A Sep. | O-RING (SEE 70-0057) | 1 | | |
| 13 | N/A Sep. | BACK-UP RING (SEE 70-0057) | 1 | | |
| 14 | 23-0295 | HOUSING | 1 | | |

| Id | Item # | Description | Quantity | Rev | Comments |
|----|----------|--|----------|-----|----------|
| 15 | 16-0336 | PLASTIC HOUSING (LEFT SIDE) | 1 | | |
| 16 | 21-0095 | PIPE | 1 | | |
| 17 | 23-0174 | NIPPLE | 1 | | |
| 18 | 16-0332 | TRIGGER SAFETY LOCK | 1 | | |
| 19 | 16-0333 | TRIGGER REST | 1 | | |
| 20 | 16-0335 | TRIGGER | 1 | | |
| 21 | 43-0069 | TRIGGER PIN | 1 | | |
| 22 | 16-0334 | PLASTIC HOUSING (RIGHT SIDE) | 1 | | |
| 23 | N/A SEP. | GUARD LANCE (RIGHT SIDE) (SEE 70-0324) | 1 | | |
| 24 | 16-0277 | PIPE | 1 | | |
| 25 | 16-0283 | ADAPTER | 1 | | |
| 26 | N/A SEP. | GUARD LANCE (LEFT SIDE) (SEE 70-0324) | 1 | | |
| 27 | 39-0076 | PLUG | 1 | | |
| 28 | 49-0103 | SCREW | 1 | | |
| 29 | 16-0282 | SPACER | 1 | | |
| 30 | N/A SEP. | LANCE HOLDER (SEE 850-0179) | 1 | | |
| 31 | 850-0186 | DUAL LANCE ASSEMBLY (INC. 32-53) | 1 | | |
| 32 | 16-0312 | HANDLE PLUG | 1 | | |
| 33 | 30-3002 | HEX NUT | 1 | | |
| 34 | 16-0313 | HANDLE | 1 | | |
| 35 | 28-1021 | WASHER | 1 | | |
| 36 | 30-3010 | HEX NUT | 1 | | |
| 37 | 23-0271 | HEX ADAPTER | 1 | | |
| 38 | 25-0351 | O-RING | 1 | | |
| 39 | 16-0314 | STEM PISTON | 1 | | |
| 40 | 25-0352 | BACK-UP RING | 1 | | |
| 41 | 25-0353 | O-RING | 1 | | |
| 42 | 16-0315 | UPPER PROTECTOR | 1 | | |
| 43 | 16-0316 | LOWER PROTECTOR | 1 | | |
| 44 | 23-0272 | BODY | 1 | | |
| 45 | 27-8862 | SCREW | 1 | | |
| 46 | 16-0328 | LANCE W/PROTECTIVE COVER | 2 | | |
| 47 | 30-3060 | HEX NUT | 2 | | |
| 48 | 16-0318 | PIPE CLAMP | 2 | | |
| 49 | 27-8861 | SCREW | 2 | | |
| 50 | 24-0127 | NIPPLE | 2 | | |
| 51 | 16-0319 | NOZZLE PROTECTOR | 1 | | |
| 52 | 18-0110 | DETERGENT NOZZLE | 1 | | |
| 53 | 17-0028 | QUICK CONNECT SOCKET | 1 | | |

| Id | Item # | Description | Quantity | Rev | Comments |
|----|----------|--|----------|-----|----------|
| 54 | 18-0025 | NOZZLE - 15075 FOR HG-1505-0M10 & HG-1505-0M30 | 1 | | |
| 54 | 18-0027 | NOZZLE - 25075 FOR HG-1505-0M10 & HG-1505-0M30 | 1 | | |
| 54 | 18-0103 | NOZZLE - 40075 FOR HG-1505-0M10 & HG-1505-0M30 | 1 | | |
| 54 | 18-0112 | NOZZLE - 00075 FOR HG-1505-0M10 & HG-1505-0M30 | 1 | | |
| 54 | 18-0003 | NOZZLE - 0005 FOR HG-2004-0M10 & HG-2004-0M30 | 1 | | |
| 54 | 18-0004 | NOZZLE - 1505 FOR HG-2004-0M10 & HG-2004-0M30 | 1 | | |
| 54 | 18-0153 | NOZZLE - 2505 FOR HG-2004-0M10 & HG-2004-0M30 | 1 | | |
| 54 | 18-0180 | NOZZLE - 4005 FOR HG-2004-0M10 & HG-2004-0M30 | 1 | | |
| 54 | 18-0013 | NOZZLE - 0006 FOR HG-2205-0M10 & HG-2205-0M30 | 1 | | |
| 54 | 18-0014 | NOZZLE - 1506 FOR HG-2205-0M10 & HG-2205-0M30 | 1 | | |
| 54 | 18-0043 | NOZZLE - 2506 FOR HG-2205-0M10 & HG-2205-0M30 | 1 | | |
| 54 | 18-0044 | NOZZLE - 4006 FOR HG-2205-0M10 & HG-2205-0M30 | 1 | | |
| 55 | 851-0007 | HOSE ASSEMBLY - 3000 PSI (INC. 56-58) | 1 | | |
| 56 | 17-0006 | QUICK CONNECT PLUG | 1 | | |
| 57 | 15-0003 | HOSE ASSEMBLY | 1 | | |
| 58 | 17-0004 | QUICK CONNECT SOCKET | 1 | | |
| | 70-0057 | GUN REPAIR KIT (INC. 1 EACH 3-12) | | | |
| | 70-0143 | O-RING KIT (INC. 1 EACH 45, 47 & 48) | | | |
| | 70-0324 | KIT-PLASTIC HOUSING (INC. 3, 23, 26, 27) | | | |