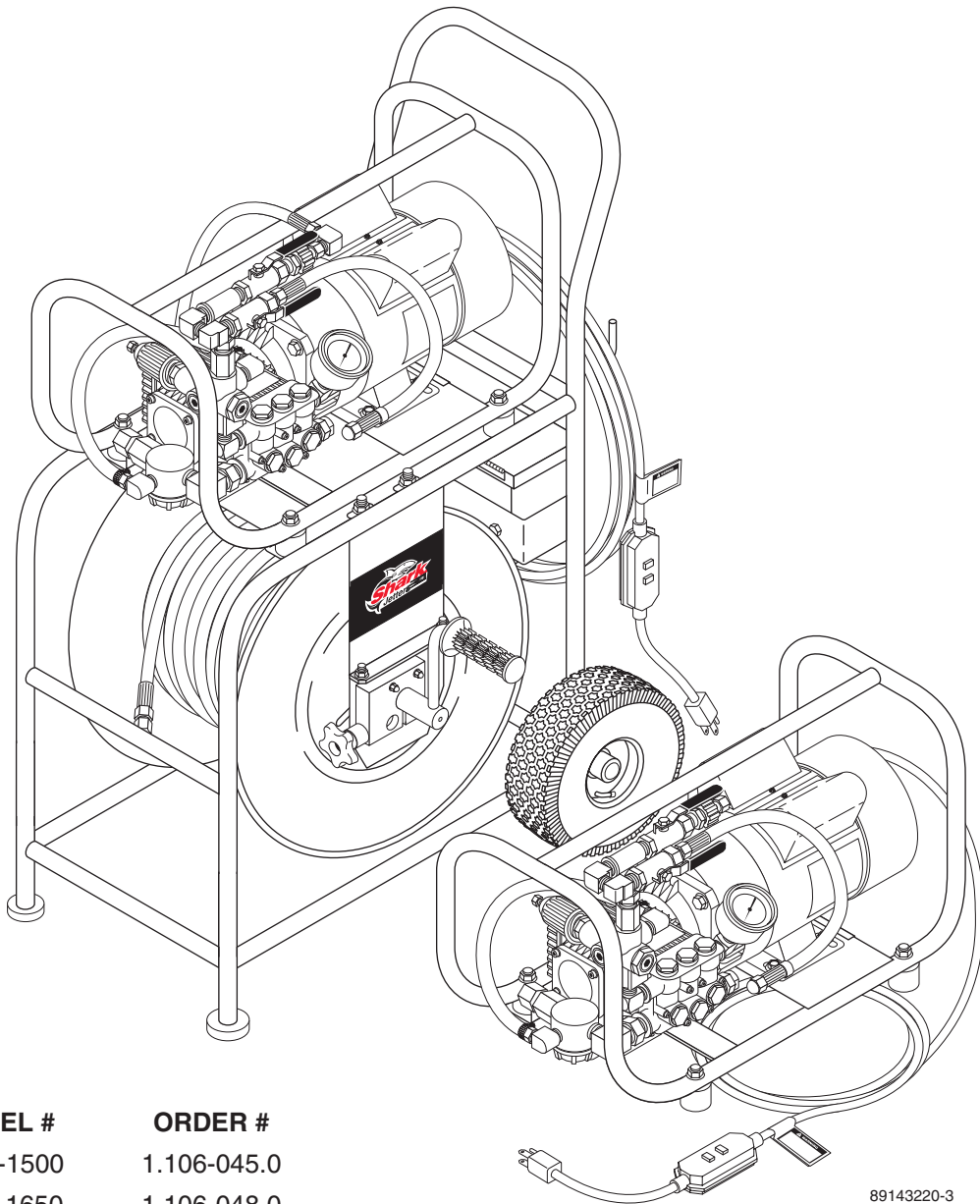




SJHE-1500 SJPE-1650

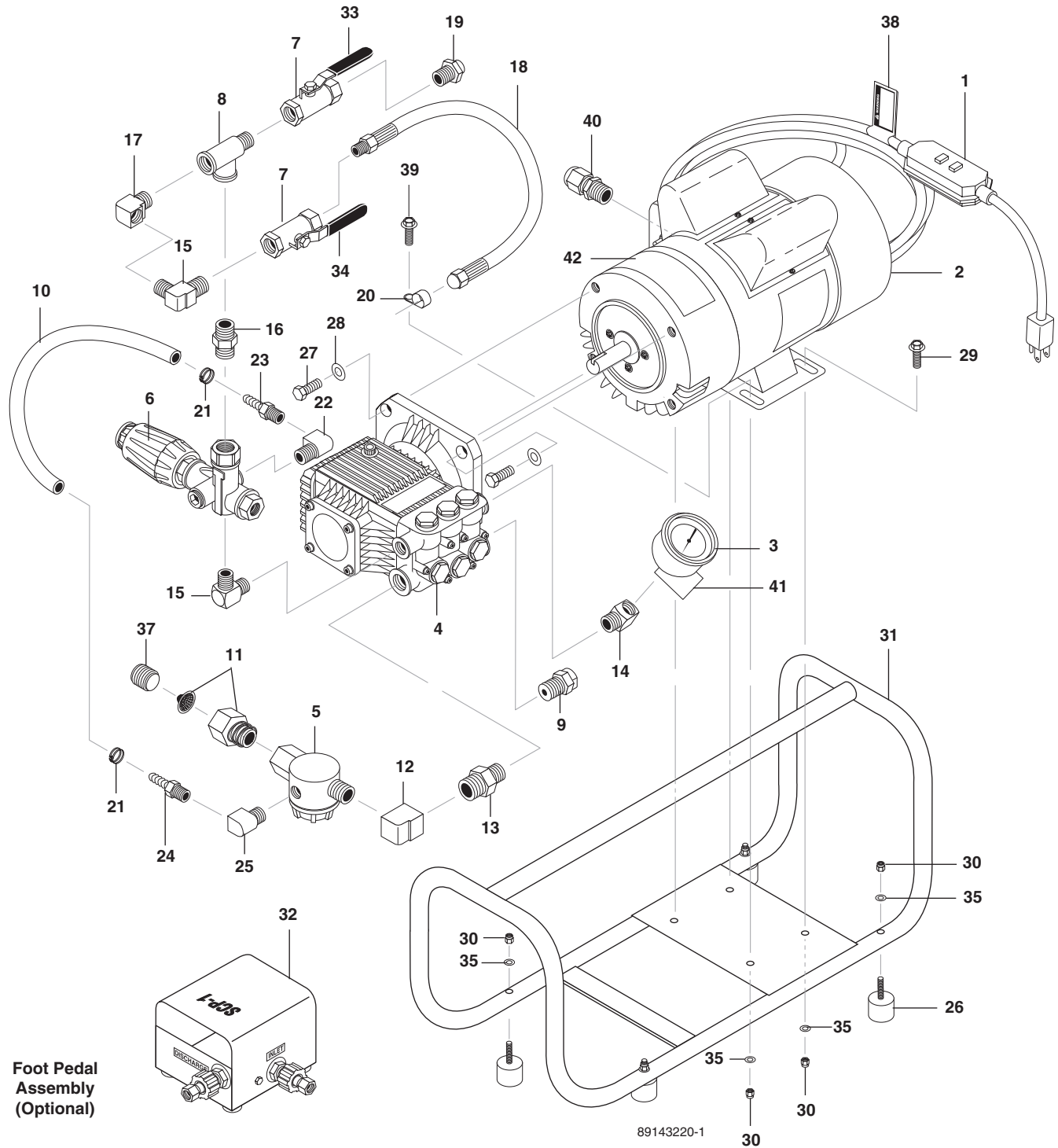
OPERATOR'S MANUAL



MODEL #	ORDER #
SJHE-1500	1.106-045.0
SJPE-1650	1.106-048.0

89143220-3

EXPLODED VIEW
SJHE-1500



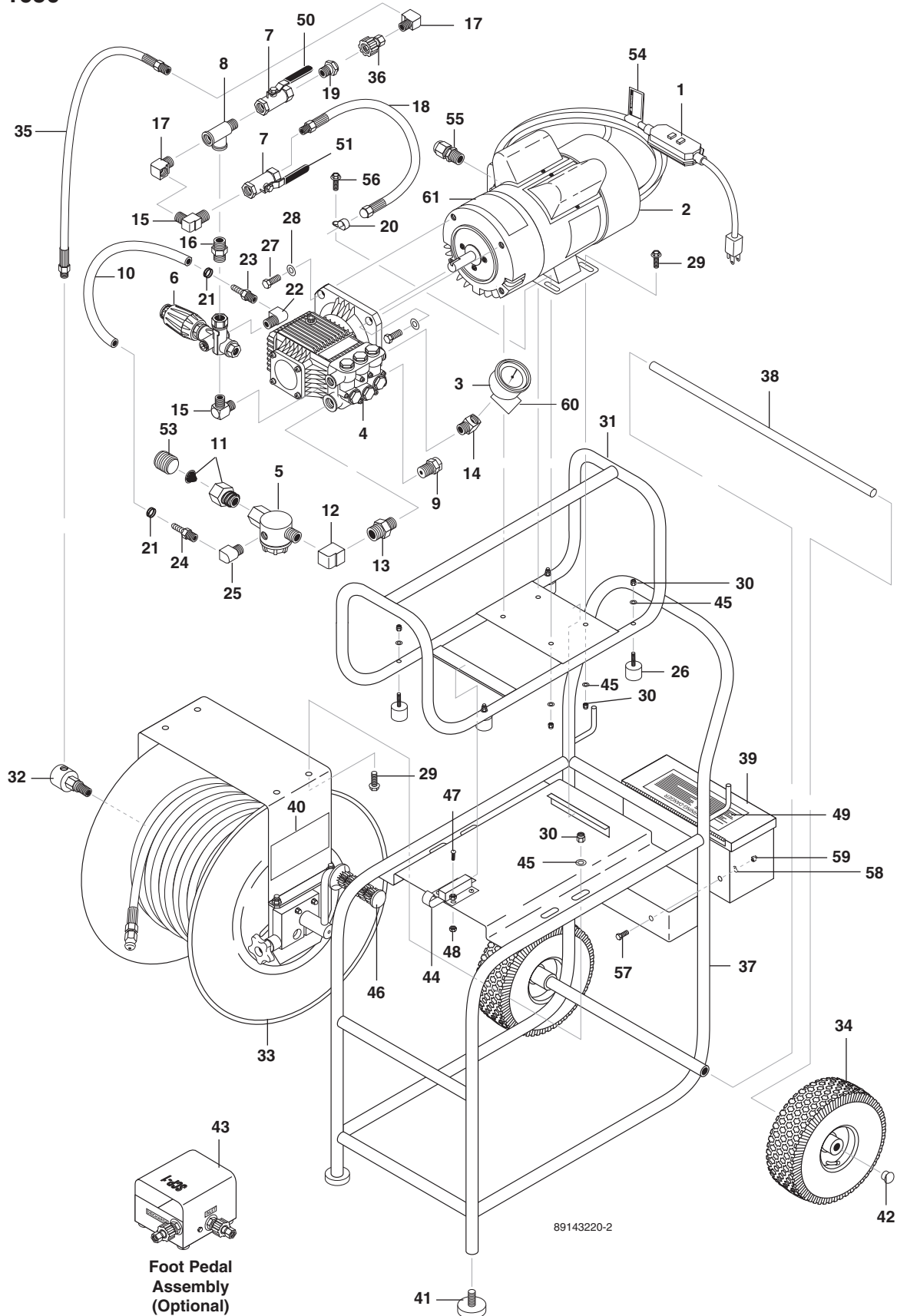
Foot Pedal
Assembly
(Optional)

EXPLODED VIEW PARTS LIST SJHE-1500

ITEM	PART NO.	DESCRIPTION	QTY	ITEM	PART NO.	DESCRIPTION	QTY
1	8.715-944.0	GFCI, 120V 15A W/36' 12-3 Cord	1	20	9.802-207.0	Clip, Round, 0.56 I.D.	1
2	9.804-516.0	Motor, 1.5 HP 1 PH, 1725 RPM, Magnetek TEFC	1	21	9.802-201.0	Clamp, Screw, #6	2
3	8.712-135.0	Gauge, Pressure Panel Mount, 0-2000 PSI	1	22	8.706-828.0	Elbow, 3/8" Street	1
4	8.715-297.0	Pump, AR XTA2G15EBA-F8, Elect 1725 RPM	1	23	8.706-337.0	Hose Barb, 1/2" Barb x 3/8" MNPT, Steel	1
5	8.707-063.0	Strainer, 1/2" Inline	1	24	8.706-338.0	Hose Barb, 1/2" Barb x 1/4" MNPT, Steel	1
6	8.750-297.0	Unloader, VRT 3, 8 GPM @2320 PSI	1	25	8.706-827.0	Elbow, 1/4" Street	1
7	8.707-204.0	Valve, 3/8" Ball, Steel	2	26	9.802-058.0	Bumper, Rubber 1" w/Bolt, 5/16" x 1-1/4"	4
8	8.706-234.0	Tee, 3/8" Street	1	27	9.802-722.0	Bolt, 3/8" x 1", NC HH	4
9	8.707-256.0	Pump Protector, 1/2" ,140°	1	28	9.802-814.0	Washer, 3/8", Lock, Split Ring	4
10	9.802-259.0	Hose, 1/2" Push-On	13"	29	9.803-551.0	Screw, 5/16" x 3/4" Whiz Loc	3
11	9.802-146.0	Swivel, 1/2" MP x 3/4" GHF w/Strainer	1	30	9.802-776.0	Nut, 5/16" Flange, Whiz Loc	8
	9.802-179.0	▲ Valve, Anti-Siphon	1	31	8.911-641.0	Frame, Welded Assy	1
12	8.706-820.0	Elbow, 1/2" Female, Brass	1	32	8.902-986.0	Foot Pedal	1
13	8.706-797.0	Nipple, 1/2" Hex	1	33	8.725-410.0	Cap, Orange, On/Off	1
14	9.803-995.0	Elbow, 3/8" MNPT x 1/4" FNPT, Steel	1	34	8.725-419.0	Cap, On/Off	1
15	8.706-168.0	Elbow, 3/8", Male Pipe	2	35	8.718-980.0	Washer, 5/16" Flat	8
16	8.705-974.0	Nipple, 3/8" Hex Steel	1	36	8.914-322.0	▲ Manual, Shark® Jetters SJHE-1500 and SJPE-1600	1
17	8.706-207.0	Elbow, 3/8" Street	1	37	8.706-742.0	Plug, Garden Hose Adapter	1
18	8.711-803.0	Hose, Pulsation, 24"	1	38	8.932-969.0	Label, Warning, Service Cord	1
19	8.707-185.0	Plug, QDISC 3/8" M x 22 mm	1	39	9.802-756.0	Screw, 5/16" x 1", Whiz Loc	1
				40	9.802-514.0	Strain Relief, Small	1
				41	8.901-120.0	Tag, Water Temp to Pump	1
				42	8.900-862.0	Label, Shark® Jetter	1

▲ Not Shown

EXPLODED VIEW
SJPE-1650

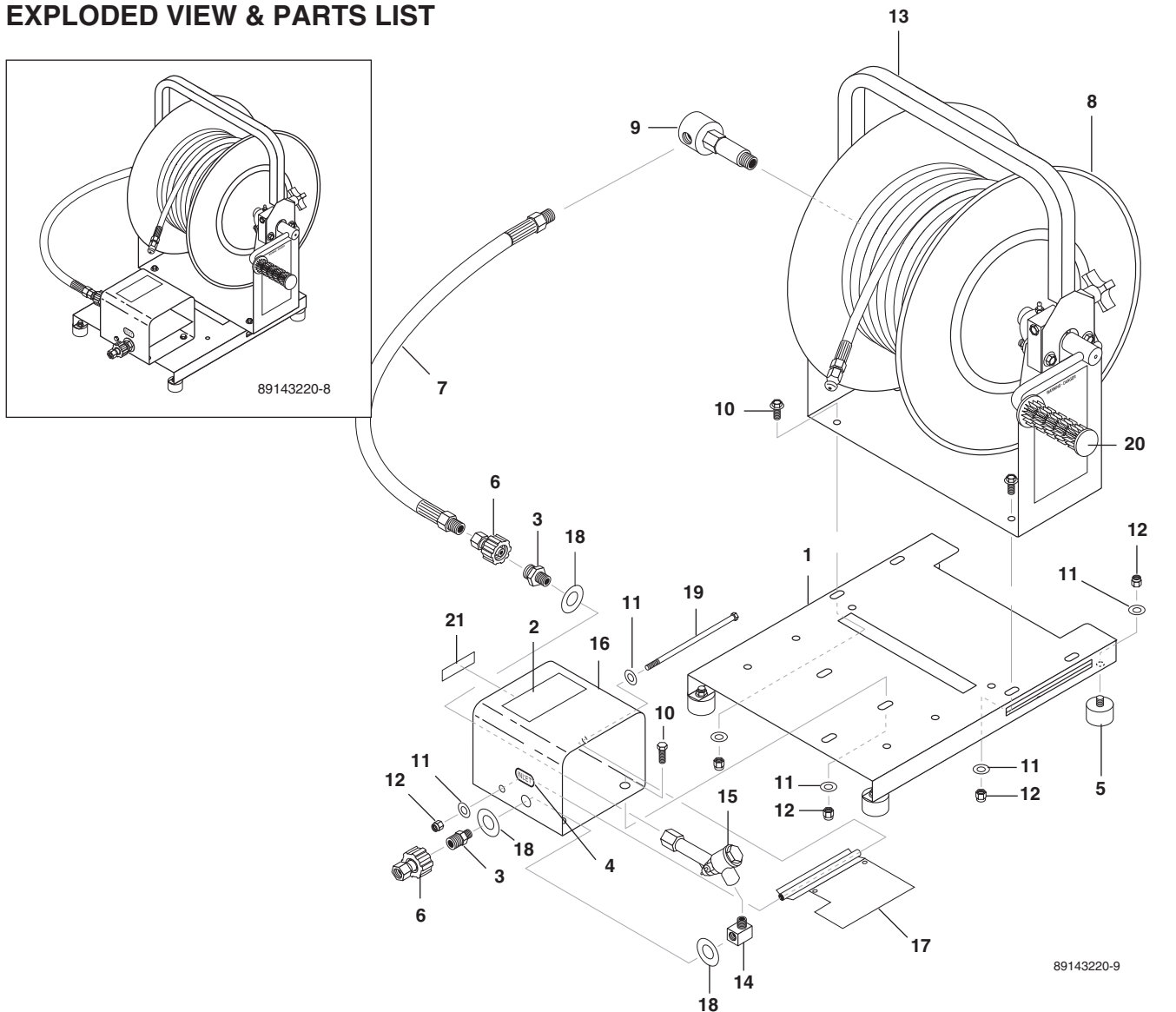


EXPLODED VIEW PARTS LIST SJPE-1650

ITEM	PART NO.	DESCRIPTION	QTY	ITEM	PART NO.	DESCRIPTION	QTY
1	8.715-944.0	GFCI, 120V 15A W/36' 12-3 Cord	1	29	9.803-551.0	Screw, 5/16" x 3/4" Whiz Loc	7
2	9.804-516.0	Motor, 1.5 HP 1 PH 1725 RPM, Magnetek TEFC	1	30	9.802-776.0	Nut, 5/16", ESNA	12
3	8.712-135.0	Gauge, Pressure Panel Mount, 0-2000 PSI	1	31	8.911-641.0	Frame, Welded Assy, SJPE-1600	1
4	8.715-297.0	Pump, AR XTA2G15EBA-F8, Electric 1725 RPM	1	32	8.711-874.0	Swivel, 3/8" x 3/8"	1
5	8.707-063.0	Strainer, 1/2"	1	33	8.711-866.0	Hose Reel, 13", Shark® Jetter	1
6	8.750-297.0	Unloader, VRT 3, 8 GPM @2320 PSI	1	34	4-0303	Wheel & Tire Assy, 4" Tubeless, Silver Rim, 5/8" HUB	2
7	8.707-204.0	Valve, 3/8" Ball, Steel	2	35	8.918-197.0	Hose, 3/8" x 28", 1 Wire, 3/8" MPT x 3" MPTS	1
8	8.706-234.0	Tee, 3/8" Street	1	36	8.707-182.0	Coupler, 3/8" Female Screw-Type 7640	1
9	8.707-256.0	Pump Protector, 1/2" 140°	1	37	8.911-649.0	Assy, Frame, J-1600	1
10	9.802-259.0	Hose, 1/2" Push-On	13'	38	8.911-650.0	Axle, 21.75", J-1600	1
11	9.802-146.0	Swivel, 1/2" MP x 3/4" GHF w/Strainer	1	39	8.911-665.0	Assy, Tool Box, Black	1
	9.802-179.0	▲ Valve, Anti-Siphon	1	40	8.901-068.0	Label, SJPE-1600 w/Pulse Technology	1
12	8.706-820.0	Elbow, 1/2" Female, Brass	1	41	8.706-511.0	Foot, Rubber (Crutch)	2
13	8.706-797.0	Nipple, 1/2" Hex	1	42	9.802-783.0	Cap, 5/8" Axle	2
14	9.803-995.0	Elbow, 3/8 MNPT x 1/4 FNPT, Steel	1	43	8.902-986.0	Foot Pedal	1
15	8.706-168.0	Elbow, 3/8", Male Pipe	2	44	8.719-075.0	Latch, Finger	1
16	8.705-974.0	Nipple, 3/8" Hex Steel	1	45	8.718-980.0	Washer, 5/16", Flat	12
17	8.706-207.0	Elbow, 3/8" Street	2	46	9.802-069.0	Grip, 1", Handle (Waffle)	1
18	8.711-803.0	Hose, Pulsation	2 ft.	47	9.804-566.0	Screw, 10/32" x 1/2", Slot	4
19	8.707-185.0	Plug, Q-Disc, 3/8" x 22mm	1	48	8.718-860.0	Nut, 10/32", ESNA, SS	4
20	9.802-207.0	Clip, Round, 0.56 I.D.	1	49	8.900-865.0	Label, Elec Warning	1
21	9.802-201.0	Clamp, Screw, #6	2	50	8.706-690.0	Cap, On/Off	1
22	8.706-828.0	Elbow, 3/8" Street	1	51	8.725-419.0	Cap, On/Off	1
23	8.706-337.0	Hose Barb, 1/2" Barb x 3/8" MNPT, Steel	1	52	8.914-322.0	▲ Manual, Shark® Jetters SJHE-1500 and SJPE-1650	1
24	8.706-338.0	Hose Barb, 1/2" Barb x 1/4", MNPT Steel	1	53	8.706-742.0	Plug, Garden Hose Adapter	1
25	8.706-827.0	Elbow, 1/4" Street	1	54	8.932-969.0	Label, Warning, Service Cord	1
26	9.802-058.0	Bumper, Rubber 1" w/Bolt, 5/16" x 1-1/4"	4	55	9.802-514.0	Strain Relief, Small	1
27	9.802-722.0	Bolt, 3/8" x 1-1/4", NC HH	4	56	9.802-756.0	Screw, 5/16" x 1", Whiz-Loc	1
28	9.802-814.0	Washer, 3/8", Lock, Split Ring	4	57	9.802-754.0	Screw, 1/4" x 1/2" HH, NC, Whiz Loc	2
				58	9.802-802.0	Washer, 1/4" Flat, SAE	2
				59	90-2000	Nut, 1/4" Esna, NC	2
				60	8.901-120.0	Tag, Water Temp to Pump	1
				61	8.900-862.0	Label, Shark® Jetter	1

▲ Not Shown

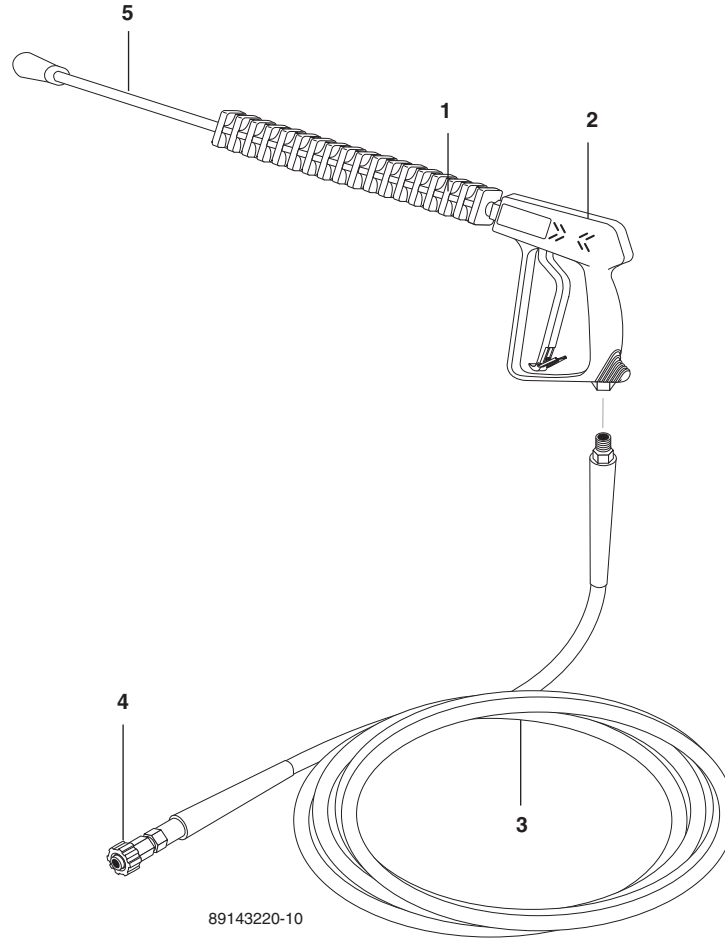
**OPTIONAL SHR-200CP HOSE REEL WITH FOOT PEDAL
EXPLODED VIEW & PARTS LIST**



ITEM	PART NO.	DESCRIPTION	QTY
1	8.911-637.0	Bracket, Hose Reel Mount	1
2	8.940-374.0	Label, SHR-200	1
3	8.707-186.0	Nipple, 1/4" x M22, Twist	2
4	8.940-349.0	Label, Inlet	1
5	8.706-519.0	Foot, Rubber	4
6	8.707-182.0	Coupler, 3/8" Female Screw Type 7640	2
7	8.918-190.0	Hose, 3/8" x 17.5", 1 Wire, 3/8" MNPT(SLD) x 3/8" MNPT(SWL)	1
8	8.711-866.0	Hose Reel, 13"	1
9	8.711-874.0	Swivel, 3/8" x 3/8"	1
10	9.803-551.0	Screw, 5/16" x 3/4" Whiz Loc	7
11	8.718-980.0	Washer, 5/16"	13

ITEM	PART NO.	DESCRIPTION	QTY
12	9.802-776.0	Nut, 5/16" ESNA	12
13	8.911-636.0	Hose Reel Guard	1
14	8.706-827.0	Elbow, 1/4" Street	1
15	8.718-436.0	Valve Assy, Complete	1
16	8.911-654.0	Cover, Welded Assy. Foot Valve	1
17	8.911-655.0	Plate, Foot Valve Assy	1
18	9.802-800.0	Washer, 1/2" Flat	3
19	8.718-640.0	Bolt, 5/16" x 6-1/2" HH, NC	1
20	9.802-069.0	Grip, 1" Handle, Waffle	1
21	8.940-343.0	Label, Discharge	1

HOSE AND SPRAY GUN ASSEMBLY (OPTIONAL) SJHE-1500 & SJPE-1650

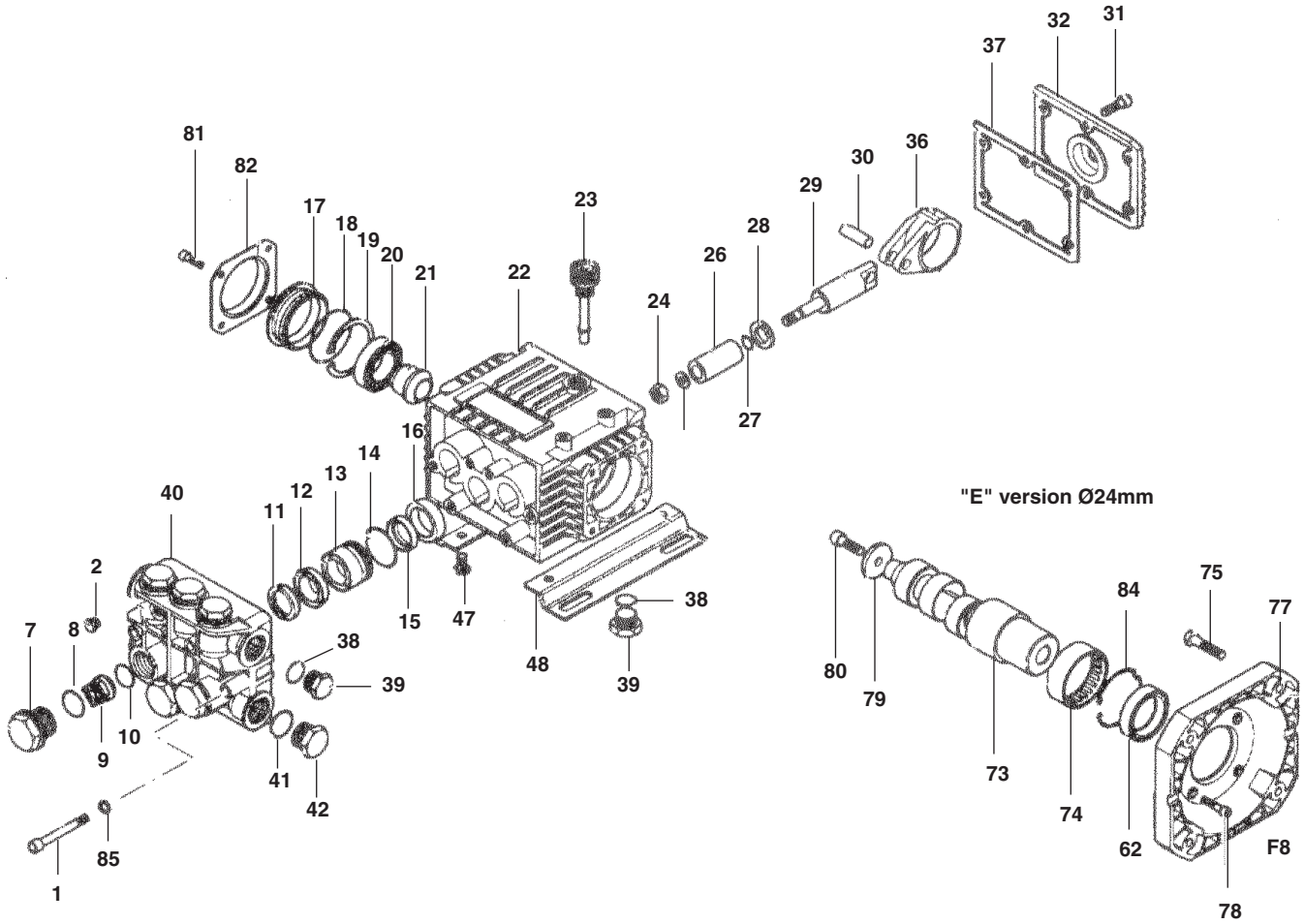


ITEM	PART NO.	DESCRIPTION	QTY
1	8.711-311.0	Lance, 18" Molded Grip AL-3929.11	1
2	8.710-384.0	Gun, ST-1500, 5000 PSI, 10.4 GPM	1
3	8.739-030.0	Hose, 3/8" x 25', 1 Wire, TS, Legacy 50 x SW	1

ITEM	PART NO.	DESCRIPTION	QTY
4	8.707-182.0	Coupler, 3/8" Female Screw Type 7640	1
5	8.712-421.0	Nozzle Holder, Adjustable AL-TR9-4701.12	1
	8.711-368.0	▲ Nozzle Only, SA 1/4", MEG 1502.5	1

▲ Not Shown

PUMP MODEL NO. AR XTVA2G15EBA-F8
JET SET MODEL SJHE-1500& SJPE-1650 PART #8.702-504.0



PUMP MODEL NO. AR XTVA2G15EBA-F8 JET SET MODEL SJHE-1500 & SJPE-1650 PART #8.702-504.0

ITEM	PART NO.	DESCRIPTION	QTY
1	83-680570	Head Bolt TCEI M6x60 Brass	6
2	83-620301	Tap Plug 1/8" G (Optional)	1
7	83-1260160	Valve Cap	6
8	83-960160	O-Ring Ø17.86 x 2.62	6
9	83-1269050	Complete Valve	6
10	83-880830	O-Ring Ø15.54 x 2.62	6
11	83-1260140	Support Ring Ø15	3
12	83-1260130	Packaging Gasket Ø15	3
13	83-1260151	Piston Guide Ø15	3
14	83-1260420	O-Ring Ø26.70 x 1.78	3
15	83-1260440	Packaging Seal Gasket Ø15	3
16	83-1260460	Piston Oil Seal 15 x 24 x 5	3
17	83-1320320	Shaft Side Plug	1
18	83-1320360	O-Ring Ø47.35 x 1.78	1
19	83-1260790	Circlip Ø ₁ 52	1
20	83-1320370	Bearing 25 x 52 x 15 6205	1
21	83-1320330	Bushing	1
22	83-1320010	Pump Body	1
23	83-880130	Dip Stick	1
24	83-1260110	Screw M83	
25	83-1260100	Copper Washer 8 x 13 x 0.5	3
26	83-1260120	Piston Ø15	3
27	83-480480	O-Ring Ø4.48 x 1.78	3
28	83-1260091	Disc Separator	3
29	83-1260070	Piston Guide	3
30	83-1260080	Piston Pin Ø _E 7 x 24	3
31	83-1260760	Screw TCEI M5 x 20	6
32	83-1321030	Rear Cover, Low	1

ITEM	PART NO.	DESCRIPTION	QTY
36	83-1320140	Con Rod, Bronze	3
37	83-1260040	Rear Gasket Cover	1
38	83-740290	O-Ring Ø14 x 178	3
39	83-880530	Oil Drain Tap Bolt 3/8" G	2
40	83-1320020	Pump Head-Without Hole, 18mm Brass	1
41	83-180101	O-Ring Ø17.5 x 2	1
42	83-820360	Head Tap Bolt 1/2"G	1
47	83-1260470	Mounting TE M8 x 10	4
48	83-1263890	Base Plate	2
81	83-1321780	Bolt TCEI M6 x 12	4
82	83-1321420	Side Cover	1
83	83-1260790	Circlip Ø ₁ 52	1

Crankcase Oil Capacity, 14 oz.

E VERSION:

ITEM	PART NO.	DESCRIPTION	QTY
62	83-480671	Seal Ring 40 x 52 x 7	1
73	83-1321110	Shaft 2 GPM Ø5/8"	1
74	83-1321190	Ring Bearing HK 4516	1
75	83-650610	Bolt, 3/8" 16 UNC x 1"	4
77	83-1320060	Type F8 Flange, Nema C	1
78	83-1200430	Bolt/Flange-Motor TCEI M6 x 16	4
79	83-780230	Washer Ø ₁ 6.5 x 28 x 4	1
80	83-780060	Bolt TCEI M6 x 25	1
84	83-1321080	Snap Ring	1

KIT 83-1860 OIL SEALS (E Ver.)		KIT 83-1864 VALVES		KIT 83-1866 WATER SEALS		KIT 83-1866 OIL SEALS	
Pos.	Qty.	Pos.	Qty.	Pos.	Qty.	Pos.	Qty.
16	3	9	6	11	3	16	3
18	1	10	6	12	3	18	1
37	1			14	3	37	1
62	1			15	3	46	1