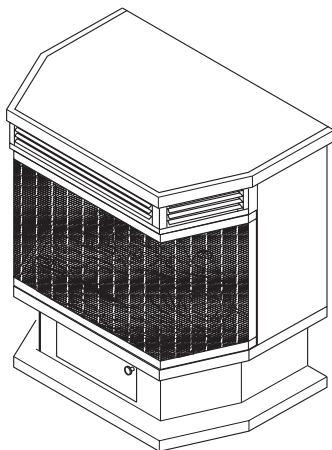


# Comfort Glow®

## VENT-FREE FREESTANDING PEDESTAL STOVE SYSTEM OWNER'S OPERATION AND INSTALLATION MANUAL



### S39PT AND S39NT

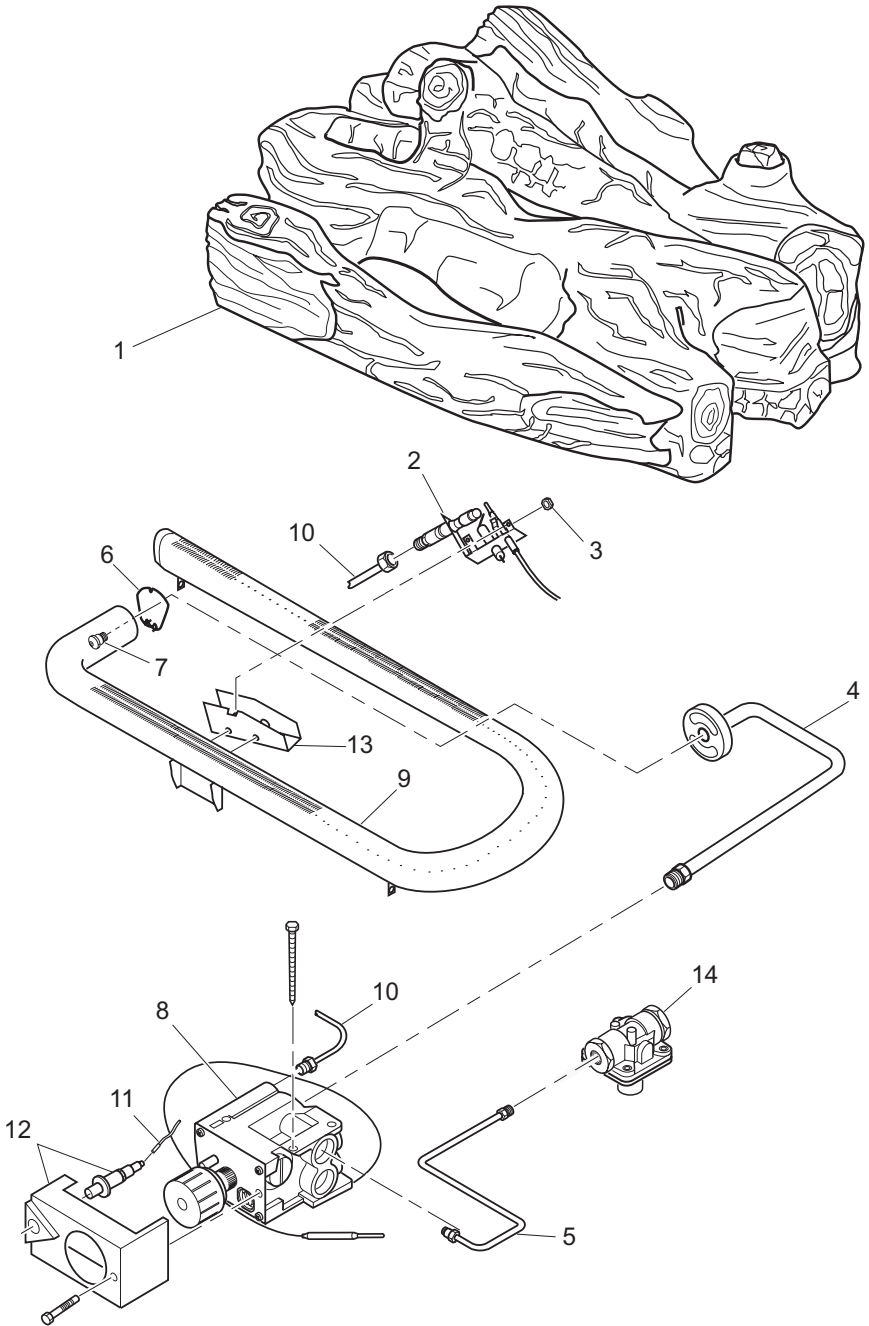
20,000 TO 39,000 BTU/HR THERMOSTATICALLY- CONTROLLED

**WARNING:** If the information in this manual is not followed exactly, a fire or explosion may result causing property damage, personal injury or loss of life.

- Do not store or use gasoline or other flammable vapors and liquids in the vicinity of this or any other appliance.
- **WHAT TO DO IF YOU SMELL GAS**
  - Do not try to light any appliance.
  - Do not touch any electrical switch; do not use any phone in your building.
  - Immediately call your gas supplier from a neighbor's phone. Follow the gas supplier's instructions.
  - If you cannot reach your gas supplier, call the fire department.
- Installation and service must be performed by a qualified installer, service agency or the gas supplier.

# ILLUSTRATED PARTS BREAKDOWN

MODELS S39PT AND S39NT (SHOWN)



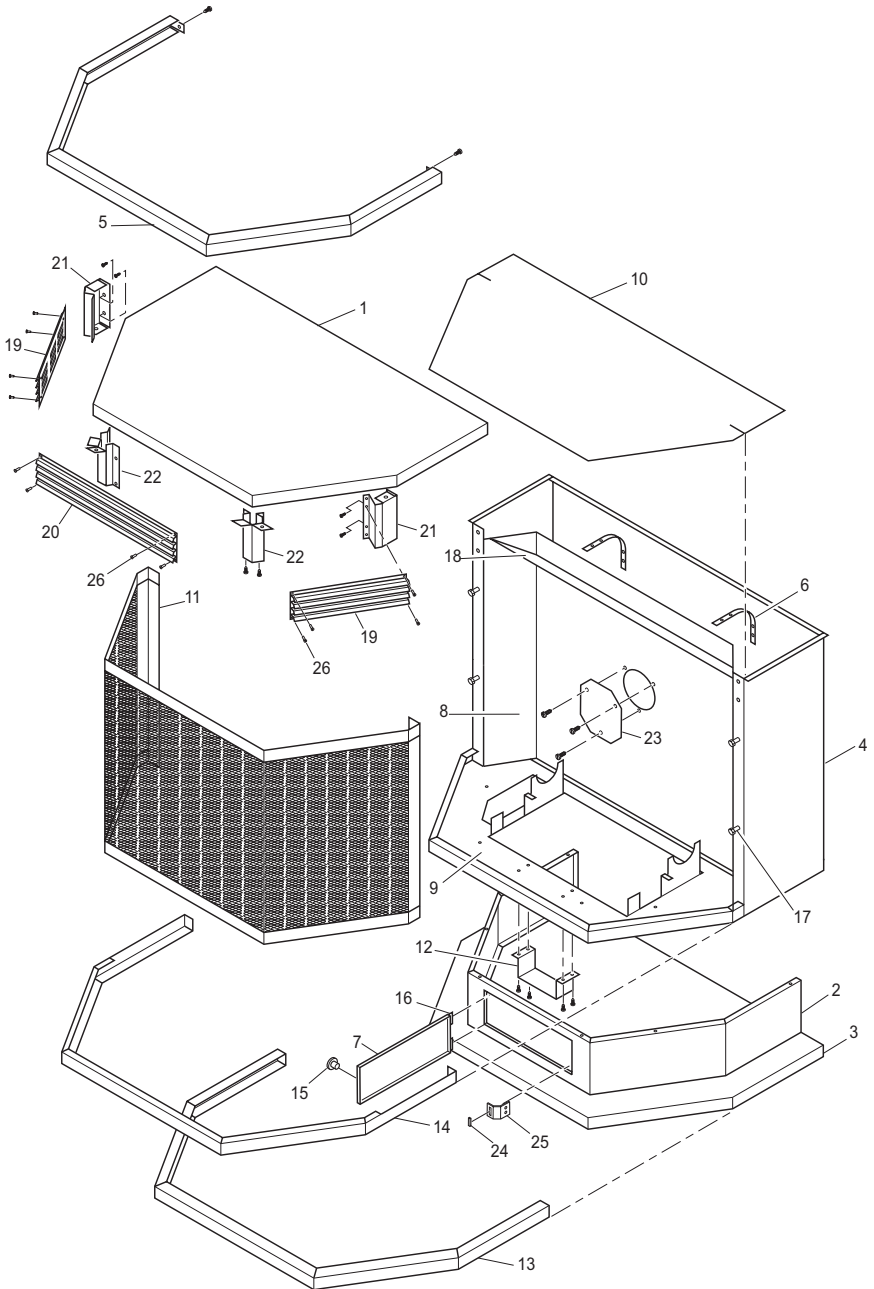
## PARTS LIST

This list contains replaceable parts used in your heater. When ordering parts, follow the instructions listed under *Replacement Parts* on page 20 of this manual.

KEY NO.	PART NUMBER		DESCRIPTION	QTY.
	S39PT	S39NT		
1	107433-01	107433-01	Log Set	1
2	104286-01	104285-01	ODS Pilot	1
3	098249-01	098249-01	ODS Nut	2
4	107090-03	107090-03	Burner Outlet Tube	1
5	107089-01	107089-01	Inlet Tube	1
6	111124-01	111124-01	Burner Retainer Spring	1
7	099056-17	099056-16	Burner Orifice Injector	1
8	101329-19	101329-20	Gas Control Valve	1
9	102772-01	102772-01	Burner	1
10	099387-09	099387-09	Pilot Tube	1
11	098271-10	098271-10	Ignitor Cable	1
12	101381-01	101381-01	Piezo Ignitor and Cover	1
13	—	105990-01	Pilot Shield	1
14	098867-10	098867-09	Regulator	1

# ILLUSTRATED PARTS BREAKDOWN

## STOVE BODY FOR MODELS S39PT AND S39NT



## PARTS LIST

### STOVE BODY FOR MODELS S39PT AND S39NT

This list contains replaceable parts used in your heater. When ordering parts, follow the instructions listed under *Replacement Parts* on page 20 of this manual.

KEY NO.	PART NO.	DESCRIPTION	QTY.
1	107085-01CK	Top Panel, Stove	1
2	**	Pedestal Stove Assembly	1
3	107076-01CK	Stove Base	1
4	**	Stove Back Panel	1
5	107082-01CK	Top Trim	1
6	105657-01	Blower Bracket	2
7	107363-01CK	Door	1
8	**	Firebox Back Panel	1
9	**	Firebox Floor	1
10	**	Firebox Top	1
11	107365-01CK	Screen Assembly	1
12	101382-01	Valve Bracket	1
13	107092-01	Brass Trim, Bottom	1
14	107093-01	Brass Trim, Firebox	1
15	106754-01	Knob	1
16	101386-02	Door Hinge	2
17	099230-02	Shoulder Screw	4
18	107079-01CJ	Heat Deflector	1
19	102455-12	Louver, Small	2
20	102455-13	Louver, Large	1
21	**	Support, End Louver	2
22	**	Support, Center Louver	2
23	101514-01	Blower Sensor Cover	1
24	103158-01	Magnet Catch	1
25	107083-01	Magnet Bracket	1
26	098304-03	Louver Screw	12
<b>PARTS AVAILABLE — NOT SHOWN</b>			
	101054-01	Lighting Instructions Plate	1
	100563-01	Warning Plate	1
	104108-06	Touch-Up Paint Kit	1

\*\* Part not available for field replacement.