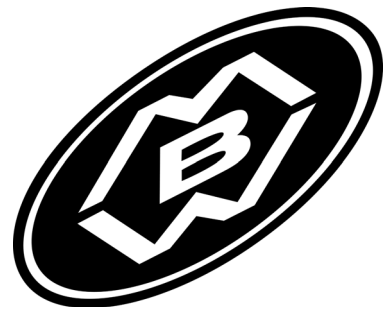


# OPERATOR'S SAFETY AND SERVICE MANUAL



## GP12, GP15, GP18

This manual covers the following serial numbers  
and higher for each model listed:

GP12.....	1121835
GP15.....	1160765
GP18.....	3180001



## VIBRATORY PLATES

**MBW, Inc.**  
250 Hartford Rd • PO Box 440  
Slinger, WI 53086-0440  
Phone: (262) 644-5234  
Fax: (262) 644-5169  
Email: [mbw@mbw.com](mailto:mbw@mbw.com)  
Website: [www.mbw.com](http://www.mbw.com)

**MBW (UK) Ltd.**  
Units 2&3 Cochrane Street  
Bolton BL3 6BN, England  
Phone: 44 (0) 01204 387784  
Fax: 44 (0) 01204 387797  
E-mail: [saleseurope@mbw.com](mailto:saleseurope@mbw.com)  
Website: [www.mbweurope.com](http://www.mbweurope.com)

L20411 / 02.21.X  
©MBW, Inc. 2015  
Printed in the USA

**WARNING**  
 Operating, servicing and maintaining this equipment can expose you to chemicals, including engine exhaust, phthalates and lead, which are known to the state of California to cause cancer and birth defects or other reproductive harm. Avoid breathing engine exhaust. Do not operate equipment in confined areas. For more information go to [www.P65Warnings.ca.gov](http://www.P65Warnings.ca.gov)

21820

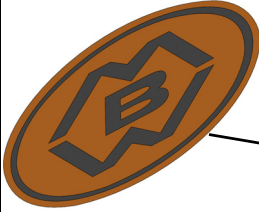
**CAUTION**  
 Unit may fall and cause injury or damage if lifted improperly. Use handles on deck and base plate to lift.

GP12 = 132 lbs (60kg)	AP12 = 152 lbs (69kg)
GP15 = 139 lbs (63kg)	AP15 = 161 lbs (73kg)
GP18 = 161 lbs (73kg)	AP18 = 202 lbs (92kg)

20420

**WARNING**  
 OPERATION OF THIS EQUIPMENT MAY CREATE SPARKS THAT CAN START FIRES AROUND DRY VEGETATION. A SPARK ARRESTER MAY BE REQUIRED. THE OPERATOR SHOULD CONTACT LOCAL FIRE AGENCIES FOR LAWS OR REGULATIONS RELATING TO FIRE PREVENTION

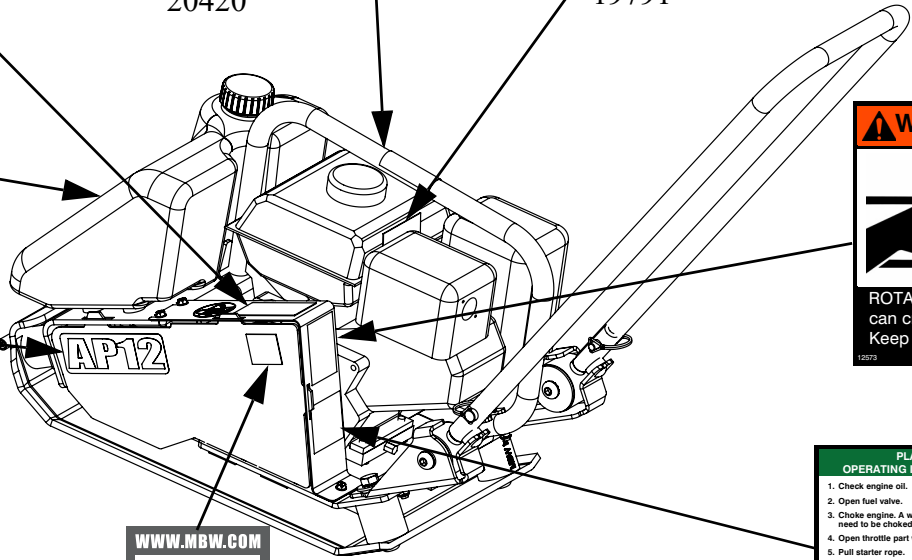
19791



21139

**AP12**

20787-GP15 - 21196-AP15  
 20786-GP12 - 21195-AP12  
 20788-GP18 - 21197-AP18



**WARNING**  
 ROTATING PARTS can crush and cut. Keep hands away!

12573

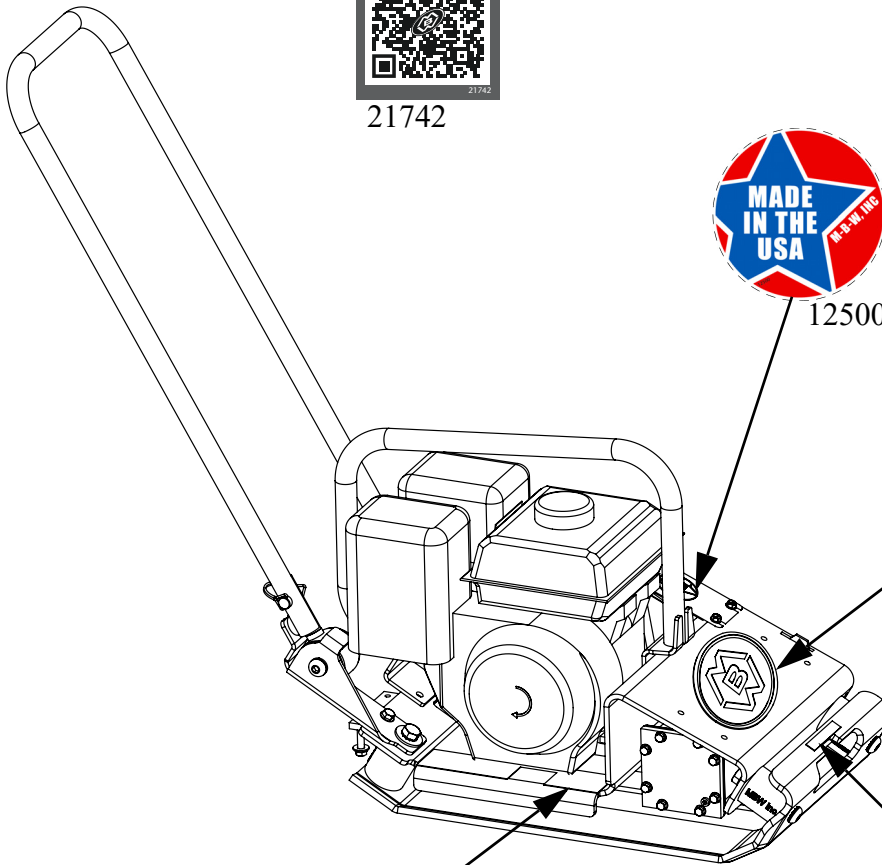


21742

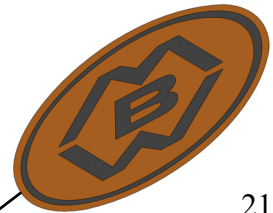
**PLATES OPERATING INSTRUCTIONS**

1. Check engine oil.
2. Open fuel valve.
3. Choke engine. A warm engine may not need to be choked.
4. Open throttle part way.
5. Pull starter rope.
6. After starting: open choke, return throttle to idle position.
7. During operation, when excessive kickback is noticed, maximum compaction has been reached.
8. To stop: Return throttle to idle position, use engine stop switch, close fuel valve.

13482



12500



21139

U.S. PATENT 9,677,240  
 21490 PLATE, 1000 SERIES

21490

**CAUTION**

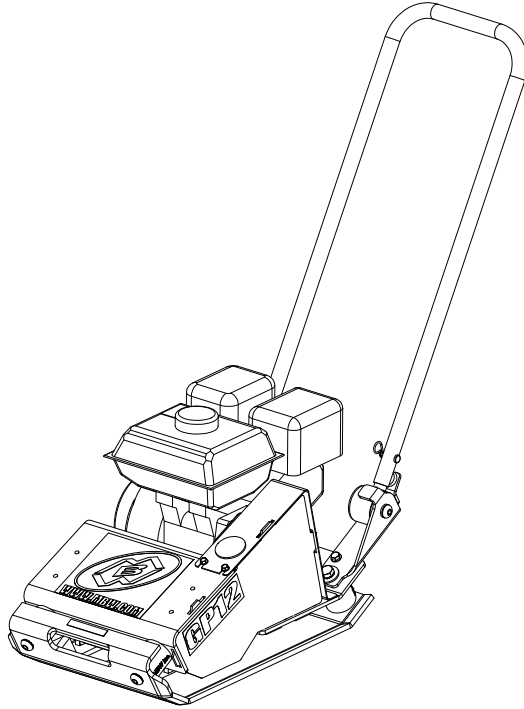
<p>Read the Operating Instructions before operating this piece of equipment.</p> <p>Keep unauthorized and untrained people away from this equipment.</p> <p><b>ROTATING &amp; MOVING PARTS!</b> Make sure all guards and safety devices are in place.</p> <p>Avoid breathing dust from operating machine, wear OSHA specified dust mask/respirator.</p>	<p>Wear approved hearing protection, foot protection, eye protection and head protection.</p> <p><b>SHUT OFF</b> the motor before servicing or cleaning.</p> <p><b>DO NOT RUN</b> in an enclosed area. The engine produces carbon monoxide, a <b>POISONOUS GAS</b>.</p>
---	---

Failure to comply could result in serious bodily injury.

20019

**Safety Decals (Decal Set #12100)**

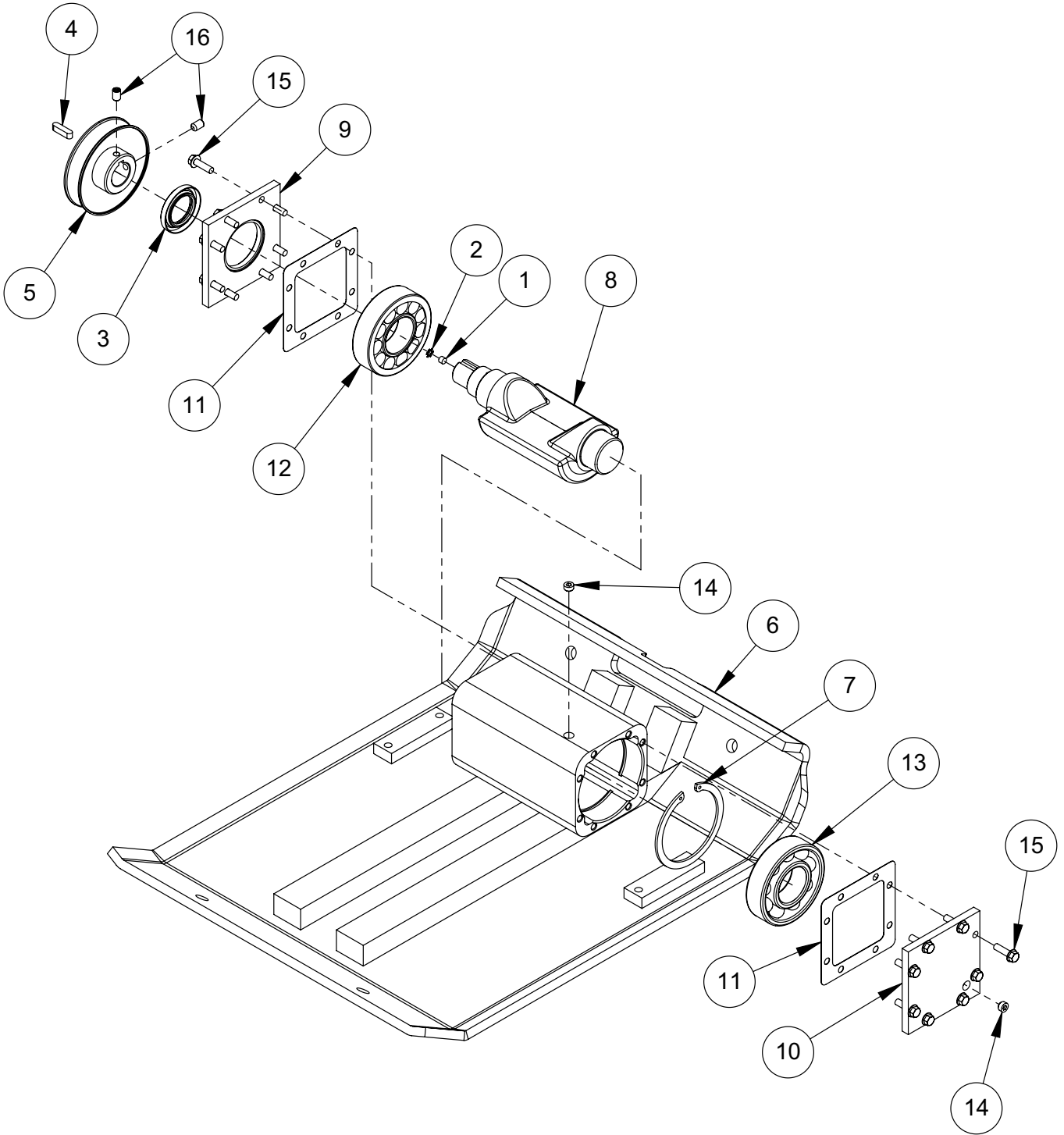
# SPECIFICATIONS



	AP12	GP12	AP15	GP15	AP18	GP18
<b>CENTRIFUGAL FORCE</b>	1920 lbs (873 kg)	1920 lbs (873 kg)	2000 lbs (898 kg)	2000 lbs (898 kg)	2780 lbs (1261kg)	2780 lbs (1261kg)
<b>EXCITER (VPM)</b>	5240	5240	5350	5350	5240	5240
<b>TRAVEL SPEED</b>	83ft./min. (25m/min.)	83ft./min. (25m/min.)	68ft./min. (21m/min.)	68ft./min. (21m/min.)	75ft./min. (23m/min.)	75ft./min. (23m/min.)
<b>COMPACTION DEPTH</b>	10 in. (25 cm)	10 in. (25 cm)	10 in. (25 cm)	10 in. (25 cm)	10 in. (25 cm)	10 in. (25 cm)
<b>WIDTH &amp; LENGTH</b>	13 x 22.5 in. (33 x 57 cm)	13 x 22.5 in. (33 x 57 cm)	16 x 22.5 in. (40 x 57 cm)	16 x 22.5 in. (40 x 57 cm)	18 x 22.5 in. (46 x 57 cm)	18 x 22.5 in. (46 x 57 cm)
<b>OPERATING WEIGHT</b>	134 lbs/61 kg no water 152 lbs/69 kg full water	130 lbs (59 kg)	143 lbs/65 kg no water 161 lbs/73 kg full water	139 lbs (63 kg)	178 lbs/81 kg no water 200 lbs/91 kg full water	174 lbs (79 kg)
<b>ENGINE SPEED (RPM)</b>	3400	3400	3475	3475	3400	3400
<b>WATER TANK CAPACITY</b>	2.3 gal. (8.7 l)		2.3 gal. (8.7 l)		2.3 gal. (8.7 l)	
<b>NOISE LEVEL</b>	84-94 dBA					
<b>ENGINE OPTIONS</b>	HONDA GX120 (118 cm) <sup>3</sup>				HONDA GX160 (163 cm) <sup>3</sup>	

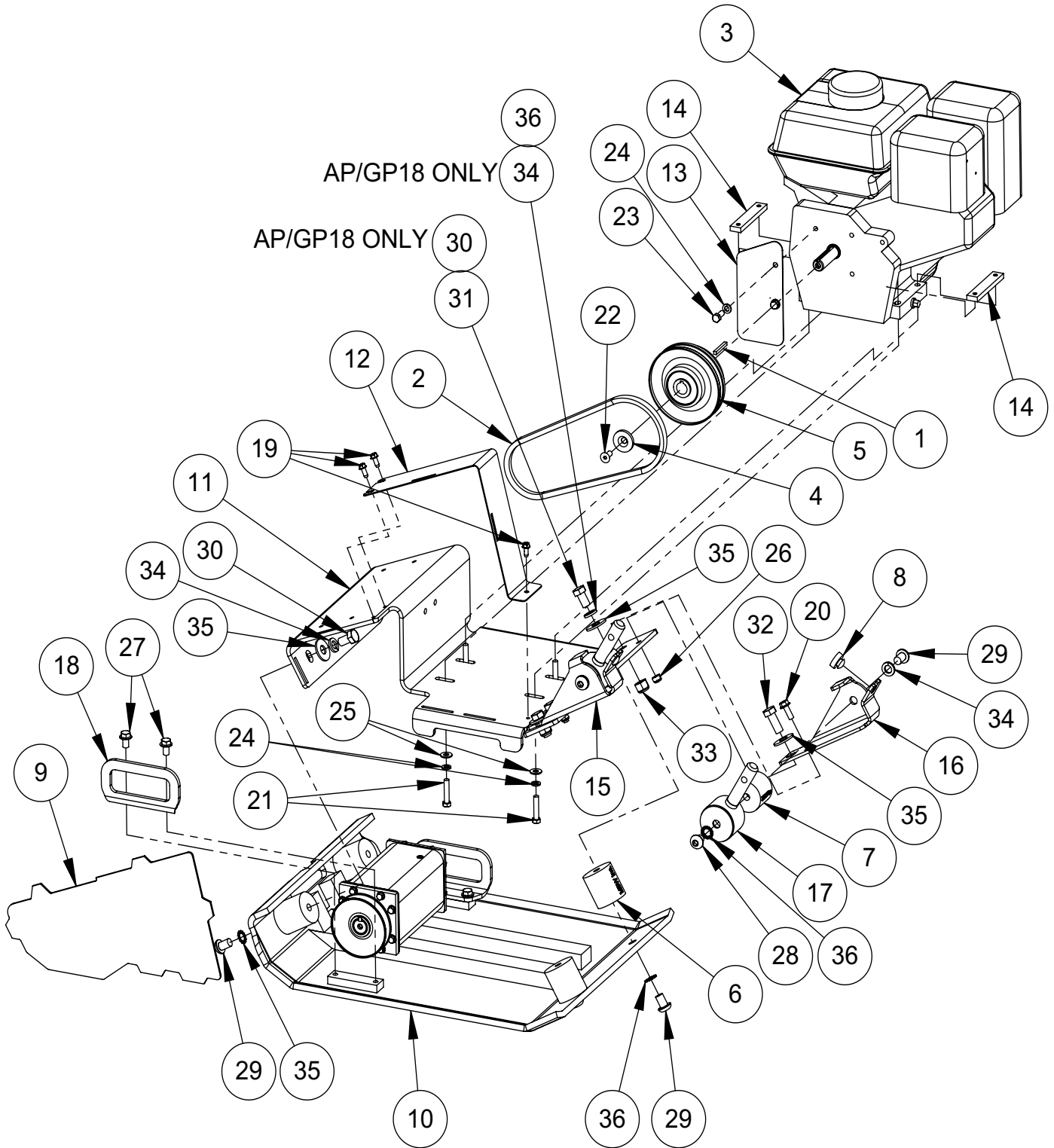
Specifications subject to change without notice

- No universal method or formula has been accepted for determining "Compaction Force". All manufactures employ their own method or formula.



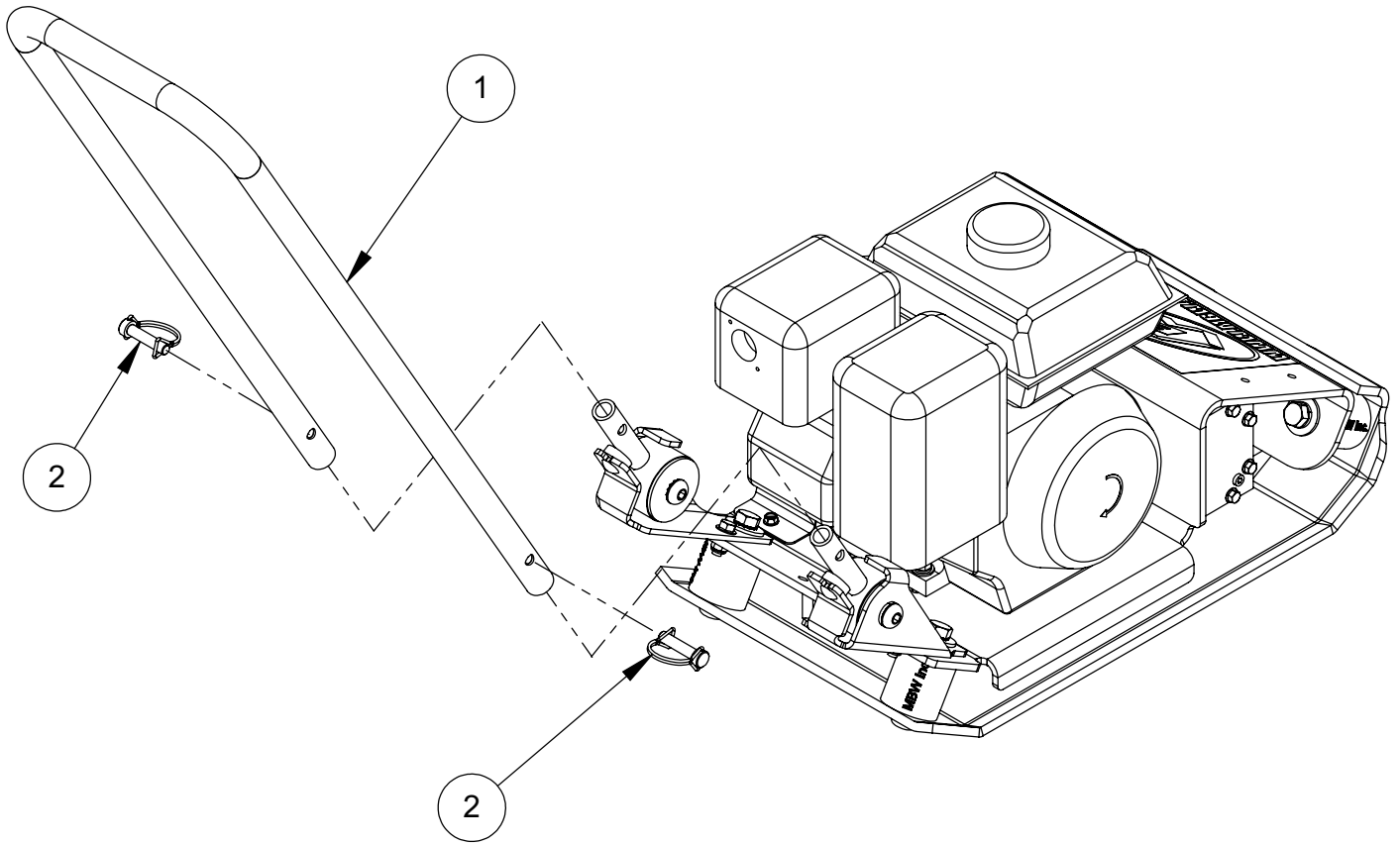
**Exciter Assembly**





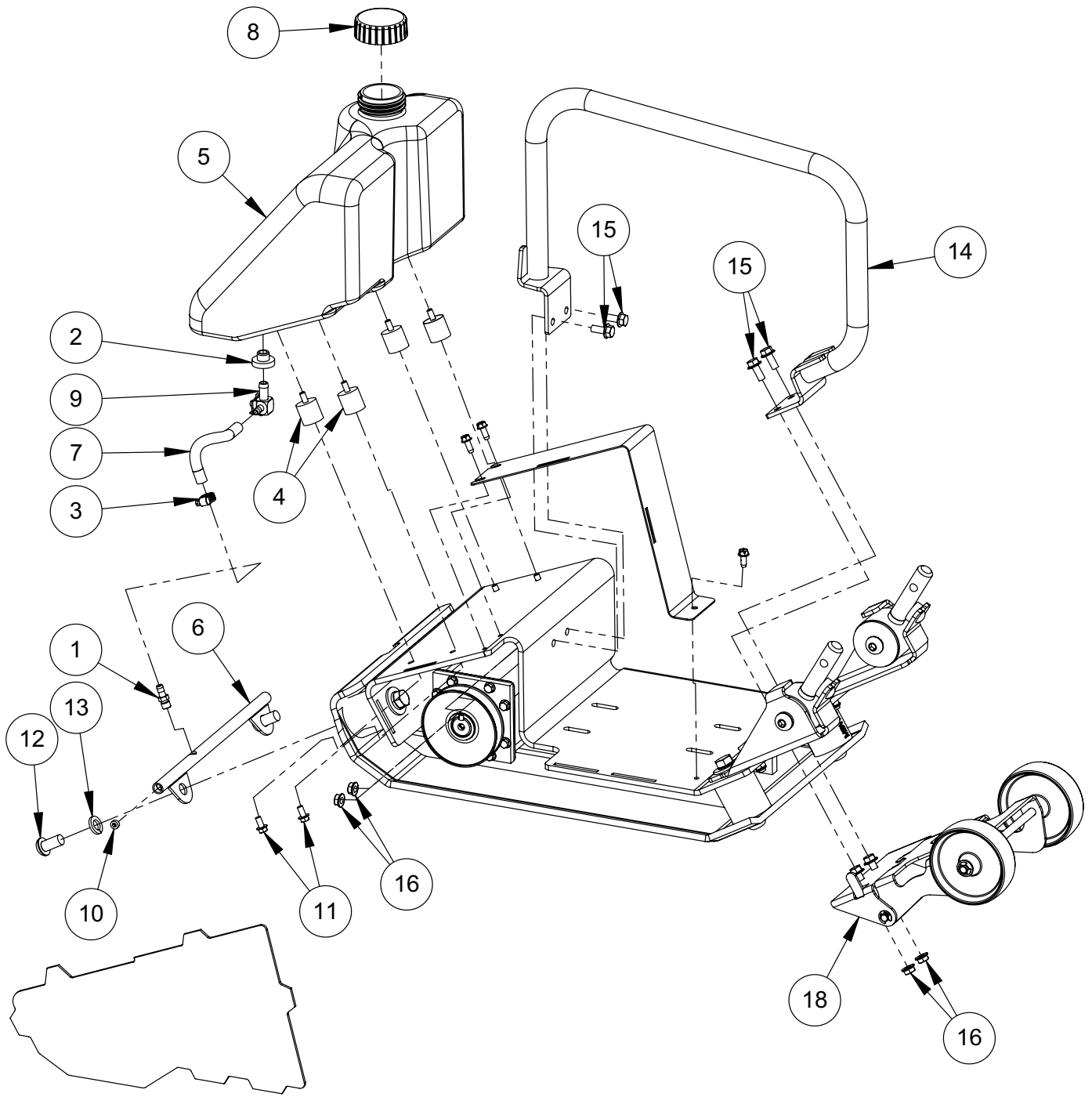
**Main Assembly**

ITEM	PART NO.	DESCRIPTION	GP12	GP15	GP18
1.	00032	KEY, 3/16" SQ. x 1-5/8 LG.	1	1	1
2.	01289	V-BELT (A-27) (AP/GP18 Serial No. #1181585 and lower)	1	1	
	22164	V-BELT (4L295) (AP/GP18 Serial No. #3180001 and above)			1
3.	12860	ENGINE, HONDA, GX120	1	1	
	01444	ENGINE, HONDA, GX160			1
4.	14993	WASHER, COUNTERSUNK	1	1	1
5.	16105	CLUTCH, CENTRIFUGAL	1	1	1
6.	16908	SHOCK MOUNT, 2" OD X 2-1/8" LG	4	4	4
7.	17170	SHOCK MOUNT, 2" OD X 1-3/4" LG	2	2	2
8.	20537	BUMPER, 1" DIA.	2	2	2
9.	20759	BELTGUARD, PLASTIC	1	1	1
10.	20768	BOTTOM PLATE ASSEMBLY (12")	1		
	20426	BOTTOM PLATE ASSEMBLY (15")		1	
	20530	BOTTOM PLATE ASSEMBLY (18")			1
11.	20771	ENGINE DECK (AP/GP18 Serial No. #1181585 and lower)	1	1	
	22170	ENGINE DECK (AP/GP18 Serial No. #3180001 and above)			1
12.	20772	BELT GUARD, PAINTED	1	1	1
13.	20773	GUARD, REAR, PAINTED	1	1	1
14.	20789	ENGINE MOUNTING BAR	2	2	2
15.	21016	HANDLE BRACKET, LEFT	1	1	1
16.	21018	HANDLE BRACKET, RIGHT	1	1	1
17.	21021	HANDLE MOUNTING BRACKET	2	2	2
18.	22174	LIFT HANDLE, (Serial No. #3180001 and above)			2
19.	F042005TCS	THREAD CUTT SCREW, 1/4-20 X 5/8 ZP	3	3	3
20.	F051807FWS	FLANGE WHIZ-LOCK SCREW, 5/16-18x7/8 ZP	2	2	2
21.	F051812HCS	HEX HEAD SCREW, 5/16 -18 X 1-1/2 GR5 ZP	4	4	4
22.	F052406FSS	FLAT HEAD SCREW 5/16-24 x 3/4"	1	1	1
23.	F052406HCS	HHCS 5/16-24 x 3/4 GR5 ZP	2	2	2
24.	F05LW	LOCKWASHER, 5/15 ZP	6	6	6
25.	F05SW	WASHER, 5/16 X 3/4 X 15 GAUGE ZP	4	4	4
26.	F0518ELN	LOCKNUT, 5/16-18 NYLOC ZP	2	2	2
27.	F061605FWS	FLANGE WHIZ-LOCK SCREW, 3/8-16 X 5/8" LG. ZP			4
28.	F081304BCS	BUTTON HEAD SCREW 1/2-13 X 1/2	2	2	2
29.	F081306BCS	BUTTON HEAD SCREW 1/2-13 X 3/4	6	6	6
30.	F081307HCS	HEX HEAD SCREW, 1/2-13 x 7/8 GR5 ZP	2	2	4
31.	F081308HCS	HEX HEAD SCREW, 1/2-13 x1 LG. GR5 ZP	2	2	
32.	F081310HCS	HEX HEAD SCREW, 1/2-13 x1-1/4 LG. GR5 ZP			2
33.	F0813ELN	LOCK NUT, 1/2-13 NYLOC, ZP			2
34.	F08LW	LOCKWASHER, 1/2 ZP	4	4	4
35.	F08SW	FLAT WASHER, 1/2 ZP	4	4	4
36.	M12ETLW	LOCK WASHER, M12, EXTERNAL TOOTH	8	8	8



## Handle Assembly





**Optional Equipment**

ITEM	PART NO.	DESCRIPTION	QTY
		<b>WATER TANK</b>	
1.	05803	PIPE ADAPTER, MALE	1
2.	06192	GROMMET, WATER TANK	1
3.	08442	CLAMP, WORM DRIVE	1
4.	17643	SHOCK MOUNT 1" DIA.	4
5.	20486	WATER TANK, GPX PLATE	1
6.	22261	SPRAY BAR, AP12	1
	22262	SPRAY BAR, AP15	1
	22263	SPRAY BAR, AP18	1
7.	20494	HOSE, 1/4" x 7" LG.Serial No. 1121834, 1160764 & 1181585 and below)	1
	22243	HOSE, 1/4" x 5" LG.Serial No. 1121835, 1160765 & 3180001 and above)	1
8.	20496	CAP, WATER TANK	1
9.	20497	VALVE, WATER TANK	1
10.	F0227SPP	SOCKET PIPE PLUG, 1/8-27	2
11.	F042004FWS	FLANGE HEAD SCREW, 1/4-20 x 1/2 LG.	4
12.	F081308BCS	BUTTON HEAD SCREW, 1/2-13 x 1" LG.	2
13.	F08LW	LOCK WASHER, 1/2" ZP	2
		<b>LIFT CAGE</b>	
14.	20797	LIFT CAGE	1
15.	F051807FWS	FLANGE HEAD SCREW, 5/16-18 x 7/8 LG.	4
16.	F0518FN	FLANGE LOCK NUT, 5/16-18	4
		<b>WHEEL KIT:</b>	
17.	19755	HANDLE BUMPERS	2
18.	20736	WHEEL KIT ASSEMBLY (includes items 15 & 16)	1
19.	F051804FWS	FLANGE HEAD SCREW, 5/16-18 x 1/2 LG.	2
		<b>OPTION KITS:</b>	
	20482	WATER TANK, AP12	
	20483	WATER TANK, AP15	
	20484	WATER TANK, AP18	
	20801	LIFT CAGE, 12 THRU 18	
	21050	PAVER PAD, GP12	
	21051	PAVER PAD, GP15	
	21052	PAVER PAD, GP18	