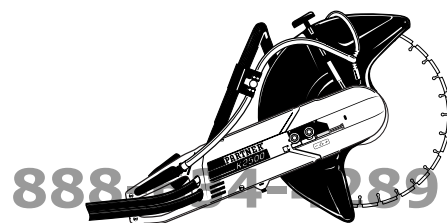


PARTNER

ConstructionParts.com



IPL, K 2500, 2001-10, 106 26 30-62

ConstructionParts.com

K 2500

Reservdelar

Spare parts

Ersatzteile

Pieces de rechange

Piezas de repuesto

Ricambi

Peças

sobresselente

ConstructionParts.com

888-634-4289

106 26 30-62

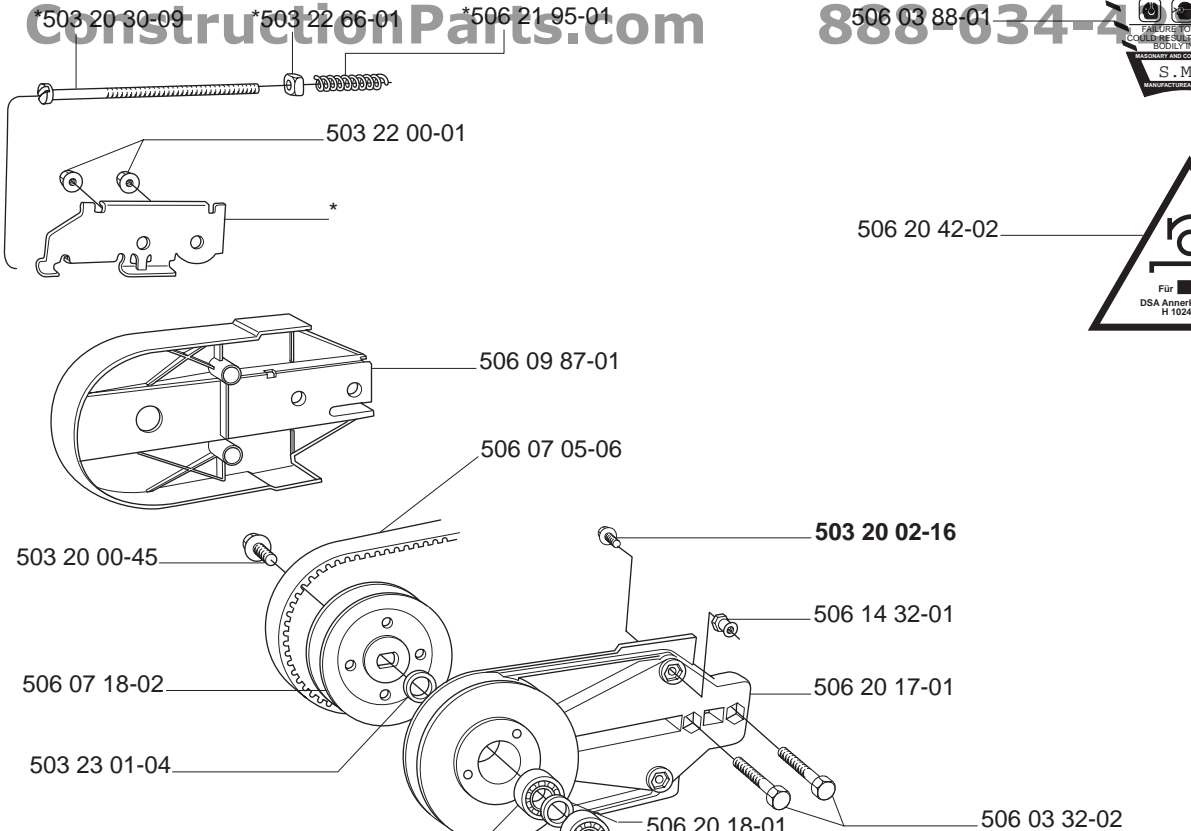
PARTNER[®]

A *compl 506 03 06-02

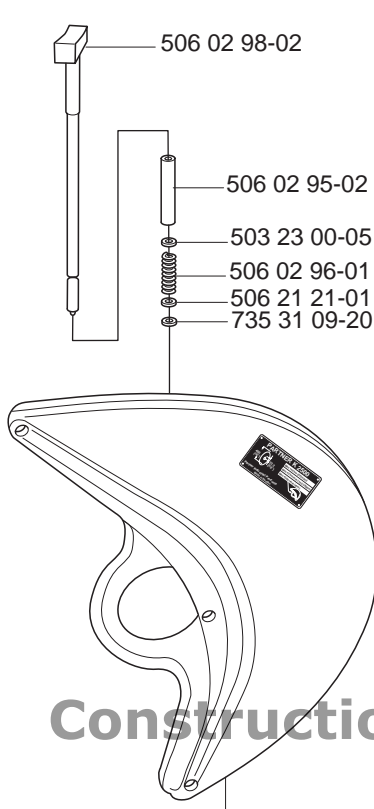
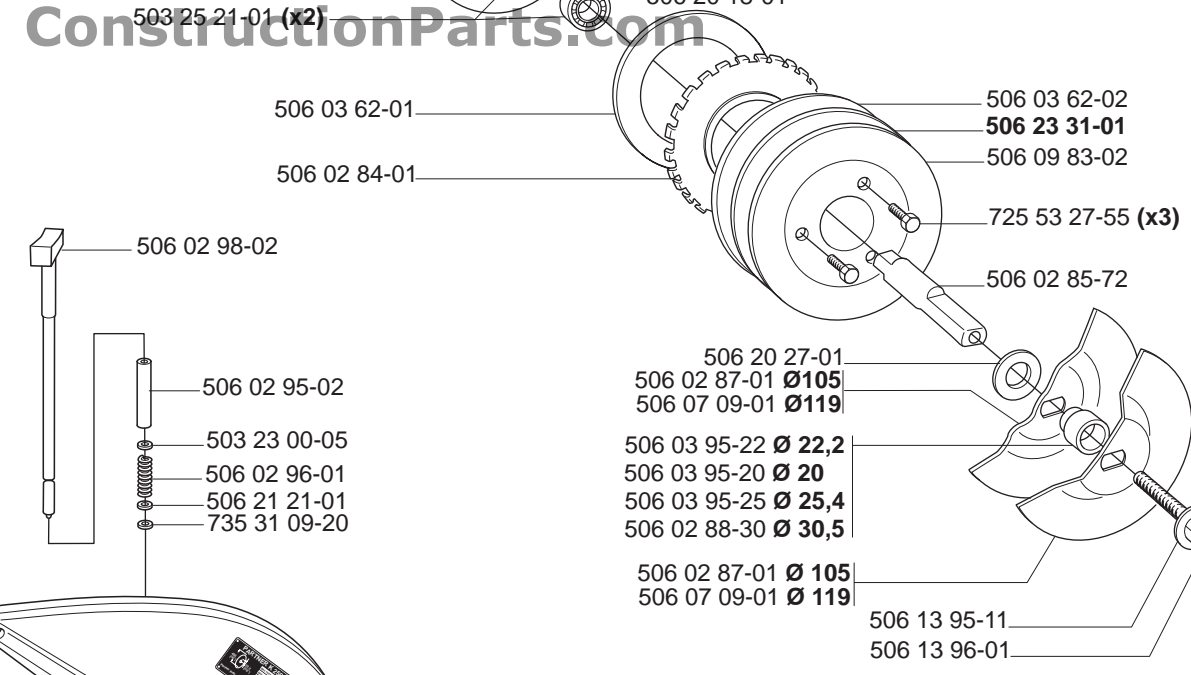


ConstructionParts.com

888-634-4289



ConstructionParts.com



506 03 46-44 Ø 22,2



506 03 46-46 Ø 1"

ConstructionParts.com

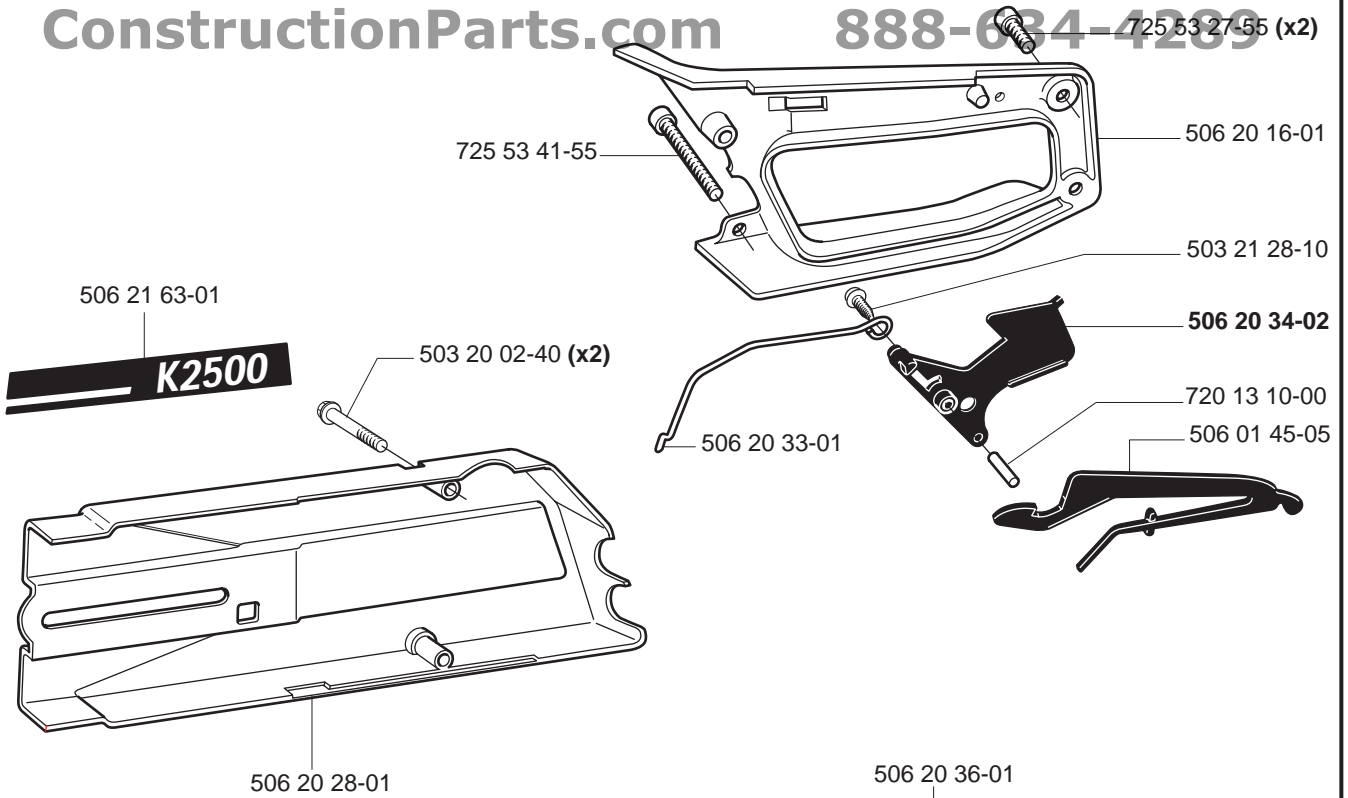
888-634-4289

compl 506 13 83-01 16"

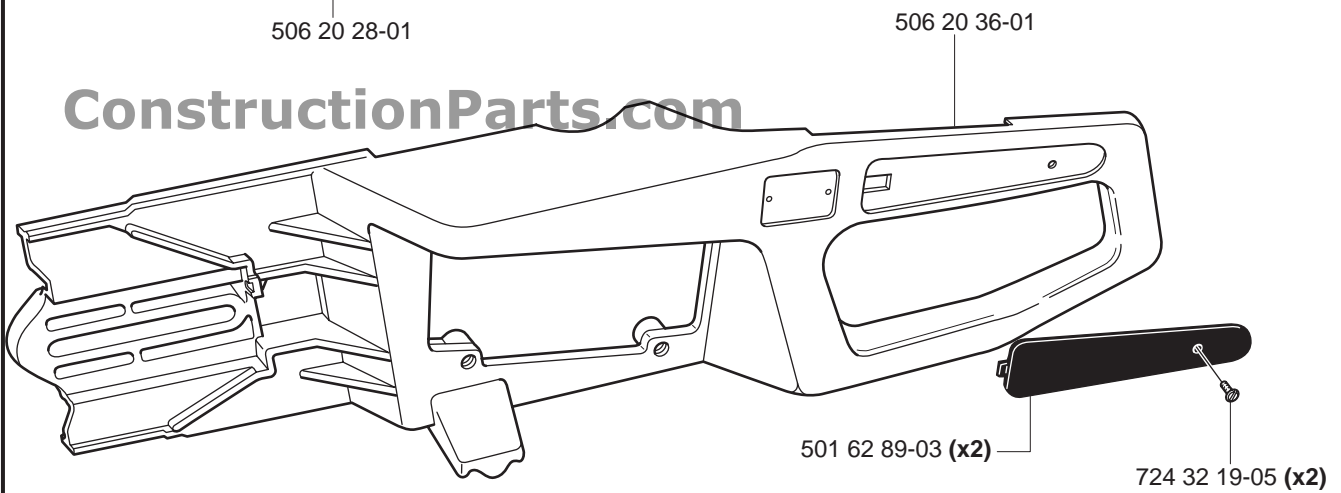
B

ConstructionParts.com

888-634-4289

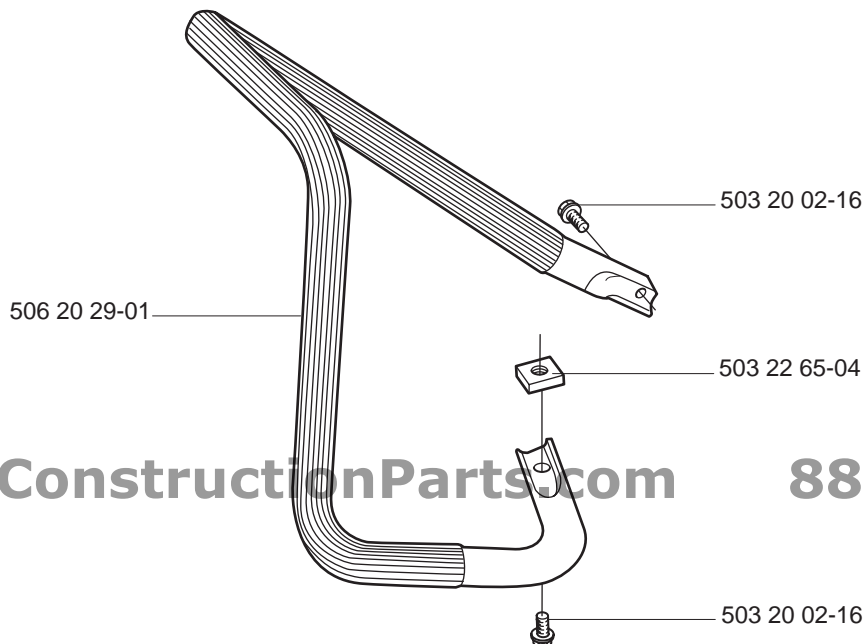


ConstructionParts.com



ConstructionParts.com

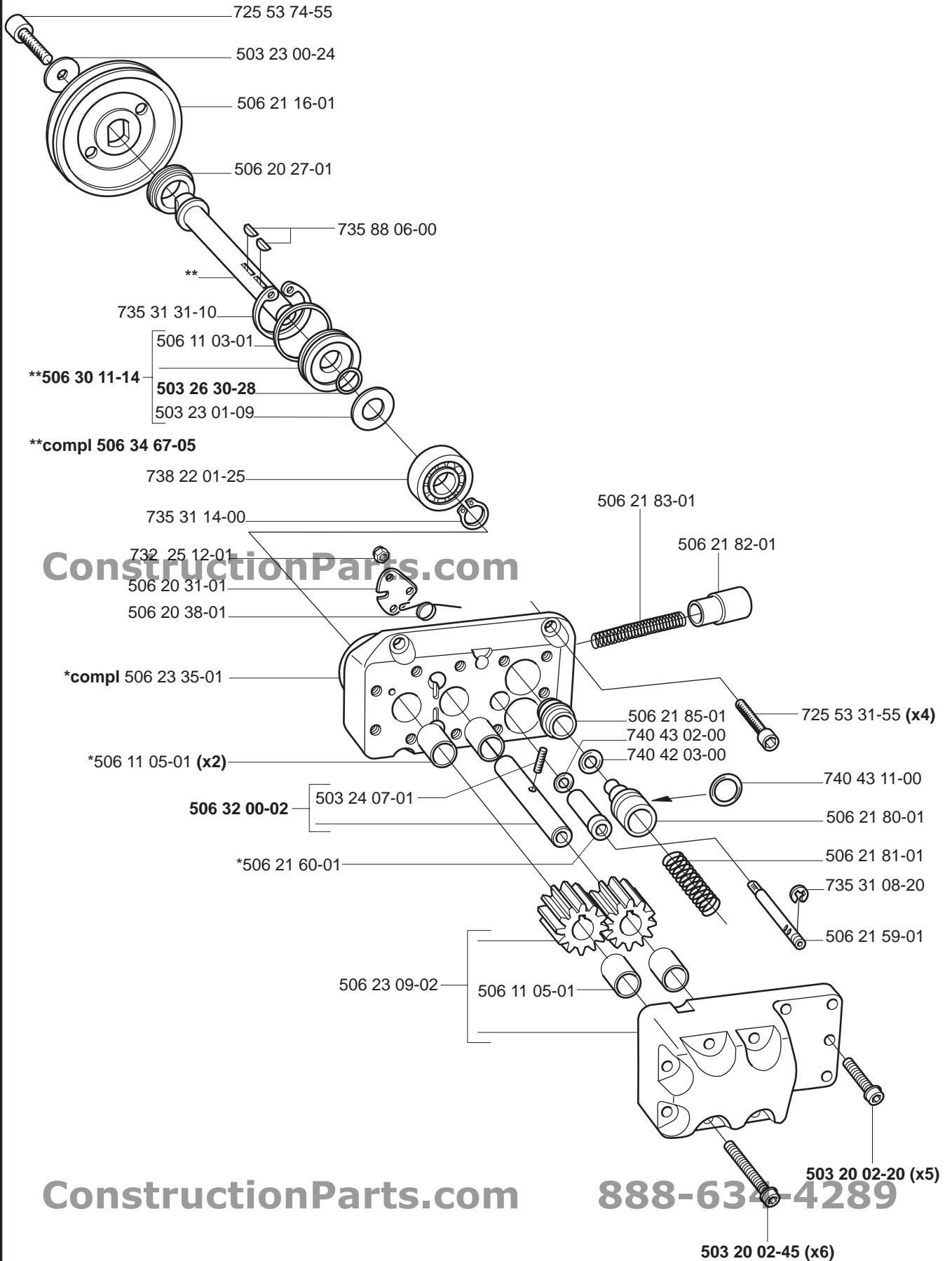
888-634-4289



C Hydraulic motor
compl 506 19 87-04

ConstructionParts.com

888-634-4289



ConstructionParts.com

888-634-4289

D

ConstructionParts.com

506 10 98-21

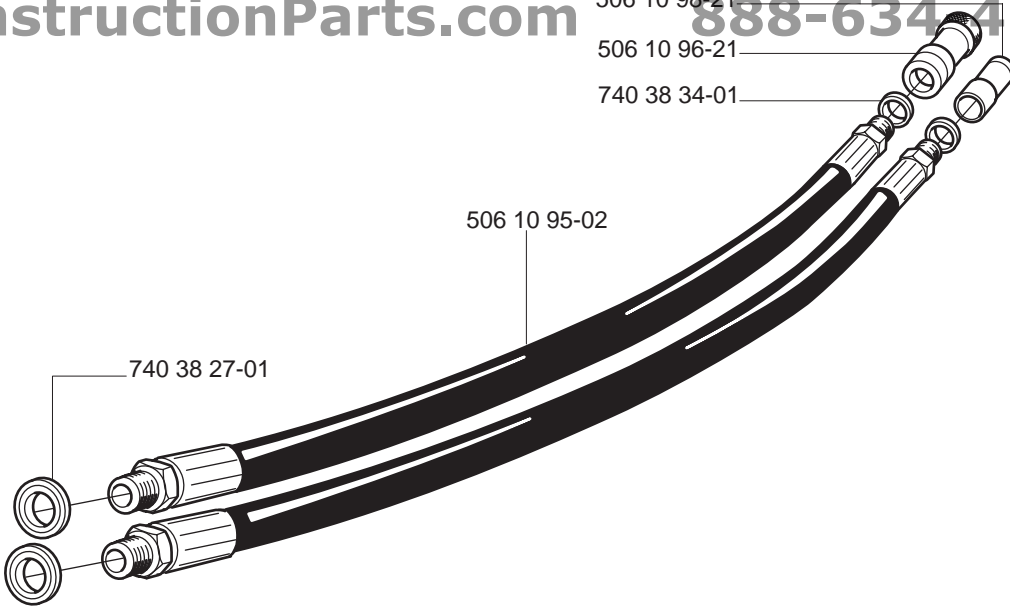
888-634-4289

506 10 96-21

740 38 34-01

506 10 95-02

740 38 27-01

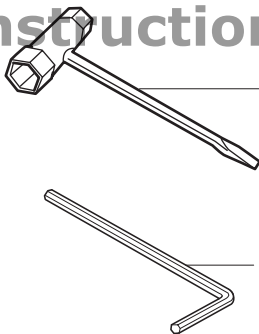


E

ConstructionParts.com

501 69 17-02

502 21 58-01



ConstructionParts.com

888-634-4289

No.	Pos.	Description	No.	Pos.	Description
501 62 89-03	B	HANDLE COVER	506 20 33-01	B	THROTTLE ROD
501 69 17-02	E	COMB.TOOL	506 20 34-02	B	THROTTLE TRIGGER
502 21 58-01	E	ALLEN KEY	506 20 36-01	B	CHASSIS
503 20 00-45	A	SCREW M8X16	506 20 38-01	C	SPRING
503 20 02-16	AB	SCREW M5X16	506 20 42-02	A	DECAL
503 20 02-20	C	SCREW M5X20	506 21 16-01	C	PULLEY
503 20 02-40	B	SCREW M5X40	506 21 21-01	A	WASHER
503 20 02-45	C	SCREW M5X45	506 21 59-01	C	VALVE SPINDLE
503 20 30-09	A	SCREW M6X120	506 21 60-01	C	SLEEVE
503 21 28-10	B	SCREW STCHS 3,5X9,5	506 21 63-01	B	DECAL
503 22 00-01	A	NUT M6MF M8	506 21 80-01	C	VALVE
503 22 65-04	B	NUT,M5	506 21 81-01	C	SPRING
503 22 66-01	A	NUT,M6	506 21 82-01	C	PISTON
503 23 00-05	A	WASHER 6.5X11	506 21 83-01	C	SPRING
503 23 00-24	C	WASHER 6,4X18X1,5	506 21 85-01	C	VALVE SEAT
503 23 01-04	A	WASHER 15X21	506 21 95-01	A	SPRING
503 23 01-09	C	WASHER	506 23 09-02	C	COVER
503 24 07-01	C	PIN	506 23 31-01	A	SPACER
503 25 21-01	A	BALL BEARING	506 23 35-01	C	HOUSING
503 26 30-28	C	O-RING	506 30 11-14	C	SEALING,KIT
506 01 45-05	B	THROTTLE CATCH	506 32 00-02	C	SHAFT L=56
506 02 84-01	A	WASHER	506 34 67-05	C	DRIVE SHAFT
506 02 85-72	A	SHAFT L=72	720 13 10-00	B	PIN 5X20
506 02 87-01	A	WASHER	724 32 19-05	B	SCREW MFX 3X5
506 02 88-30	A	BUSHING	725 53 27-55	AB	SCREW M 5X12
506 02 95-02	A	HOSE	725 53 31-55	C	SCREW M 5X20
506 02 96-01	A	SPRING	725 53 41-55	B	SCREW M 5X50
506 02 98-02	A	CONTROL KNO B	725 53 74-55	C	SCREW M 6X30
506 03 06-02	A	ADJUSTER	732 25 12-01	C	NUT M4
506 03 32-02	A	SCREW M8X37	735 31 08-20	C	E-RING 4
506 03 46-44	A	LABEL	735 31 09-20	A	E-RING 5
506 03 46-46	A	LABEL	735 31 14-00	C	SEEGER CLIP SGA12
506 03 62-01	A	SPACER	735 31 31-10	C	RETAINING RING
506 03 62-02	A	SPACER	735 88 06-00	C	WOODRUFF KEY
506 03 88-01	A	WARNING LABLE	738 22 01-25	C	BALL BEARING 6201-C3
506 03 95-20	A	BUSHING	740 38 27-01	D	SEALING WASHER 1/4"
506 03 95-22	A	BUSHING	740 38 34-01	D	SEALING WASHER 3/8"
506 03 95-25	A	BUSHING	740 42 03-00	C	O-RING 5,1X1,6
506 07 05-06	A	V-BELT	740 43 02-00	C	O-RING 4,3X2,4
506 07 09-01	A	WASHER	740 43 11-00	C	O-RING 13,3X2,4
506 07 18-02	A	PULLEY			
506 09 83-02	A	WASHER			
506 09 87-01	A	PROTECTOR			
506 10 95-02	D	HYDRAULIC HOSE			
506 10 96-21	D	COUPLER FF FEMALE			
506 10 98-21	D	COUPLER FF MALE			
506 11 03-01	C	O-RING			
506 11 05-01	C	BEARING			
506 13 83-01	A	GUARD 16"			
506 13 95-11	A	WASHER			
506 13 96-01	A	SCREW M8X37			
506 14 32-01	A	CATCH			
506 19 87-04	C	HYDRAULIC MOTOR			
506 20 16-01	B	HANDLE			
506 20 17-01	A	HOUSING			
506 20 18-01	A	SPACER			
506 20 27-01	AC	FLANGE			
506 20 28-01	B	PROTECTOR			
506 20 29-01	B	HANDLE			
506 20 31-01	C	LEVER			