

REVISED STARTING
SERIAL # 110910092

PARTS LIST MANUAL MODEL HSS14

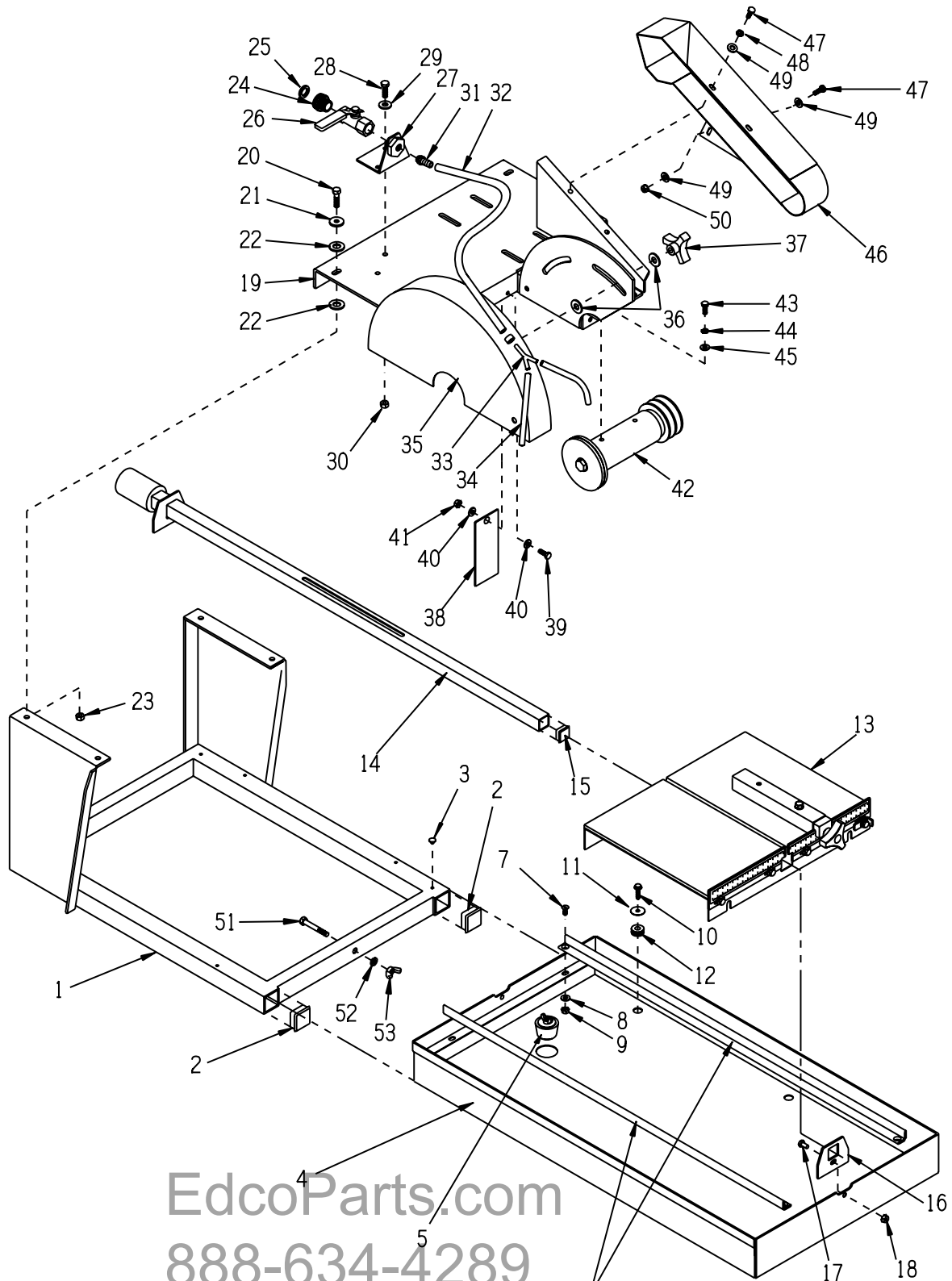


SHOWN WITH OPTIONAL PROCART

14" HARDSCAPE SAWS

SKU #	MODEL #	POWER OPTION
24800	HSS14-5.5H	HONDA ENGINE GX160U1-QXC9 W/ CYCLONE AIR CLEANER
25800	HSS14-6.5H	HONDA ENGINE GX200U-QXC9 W/ CYCLONE AIR CLEANER
26200	HSS14-1.5B	BALDOR MOTOR 1.5 HP -1PH-60Hz-115/230-14/7FLA

ILLUSTRATION 1 : MAIN GROUPING



EdcoParts.com
888-634-4289

An iBuy Stores Company

PARTS LISTING - ILLUSTRATION 1: MAIN GROUPING

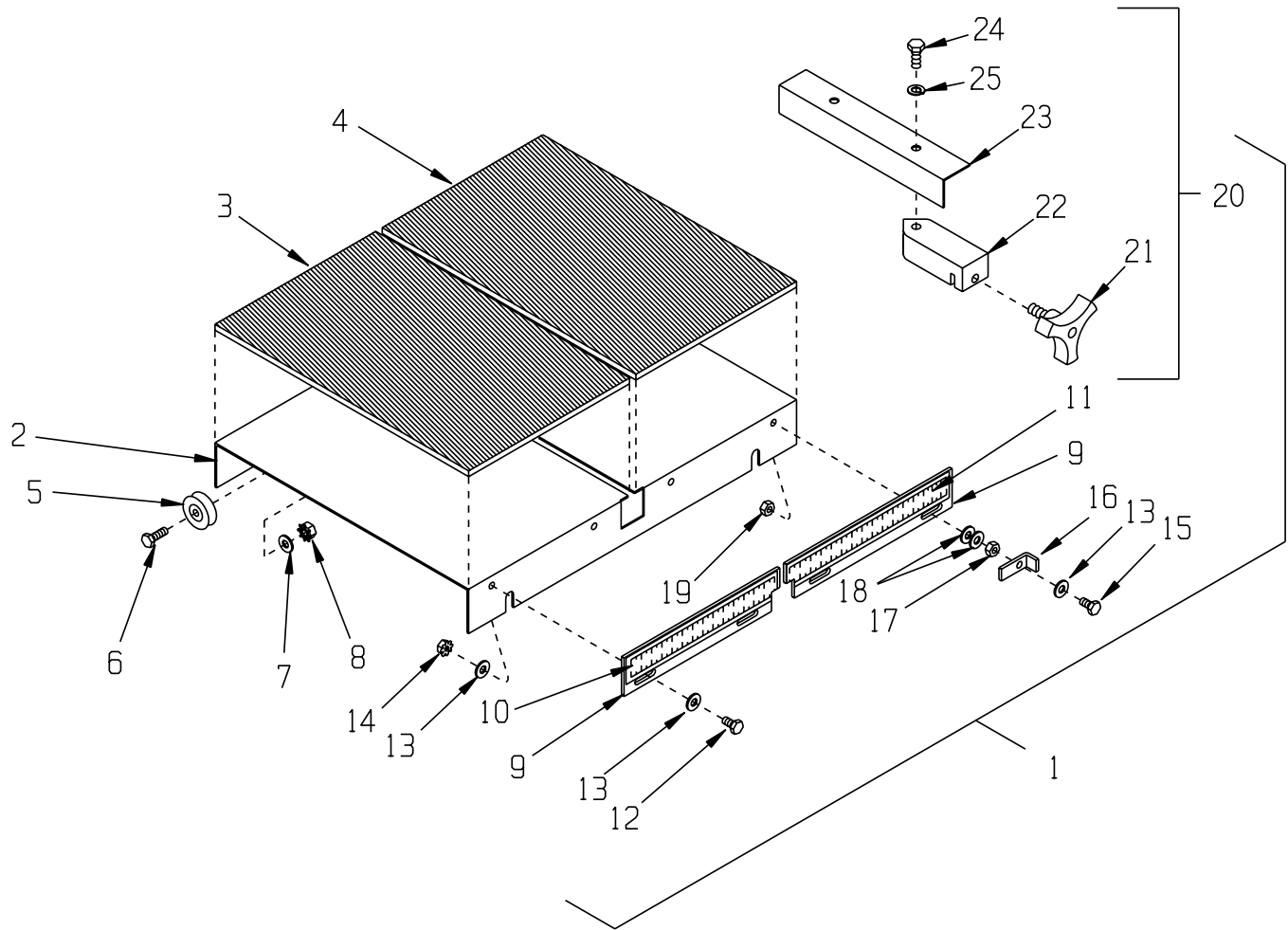
ITEM #	PART #	DESCRIPTION	QTY.	ITEM #	PART #	DESCRIPTION	QTY.
1	42301	MAIN FRAME	1	27	42310	BRACKET, WATER VALVE, HSS-14	1
2	42148	PLUG, SQ. TUBE 1-1/2 X 11 GA., BLK	2	28	10053	SCREW, CAP 5/16-18 X 3/4	2
3	42127	RIVET, NYLON PUSH-IN PANEL	4	29	10213	WASHER, FLAT 5/16 SAE	2
4	42303	PAN, HSS-14	1	30	10807	NUT, LOCK 5/16-18	2
5	40378	STOPPER ASSEMBLY 1-1/2"	1	31	42312	BARB, 5/16HOSE X 1/4MPT	1
6	42304	TRACK RAIL 36-3/4"L, HSS-14	2	32	42313	HOSE 1/4"ID X 24"L, HSS-14	1
7	11540	SCREW, FLAT HD SLT 1/4-20 X 5/8	4	33	99323	BARBED FITTING, "Y" 1/4"HOSE	1
8	10602	WASHER, FLAT 1/4 SAE	4	34	42314	HOSE 1/4"ID X 6"L, HSS-14	2
9	10861	NUT, KEPS 1/4-20	4	35	42305	GUARD, BLADE 14", HSS-14	1
10	42308	SCREW, SDHW 1/4 X 1 S.S.	4	36	10025	WASHER, FLAT 3/8 SAE	4
11	42309	WASHER, FENDER 1/4 X 1"OD (S.S.)	4	37	80011	KNOB, 3-PRONG W/ 3/8-16 THD.	2
12	57148	GROMMET 3/8ID X 1/8GRV. X 5/8GD	4	38	40012	FLAP, SPLASH 2-1/2 X 7	1
13	42315	TABLE COMPLETE, ROLLING, HSS-14 (REFER TO ILLUS. 2 FOR BREAKDOWN)	1	39	10018	SCREW, CAP 1/4-20 X 3/4	1
14	42307	VACUUM PORT TUBE, HSS-14	1	40	10602	WASHER, FLAT 1/4 SAE	2
15	51078	PLUG, SQ. TUBE 1 X 14 GA., BLACK	1	41	10861	NUT, KEPS 1/4-20	1
16	42229	MOUNTING BRKT., VACUUM PORT TUBE	1	42	-----	ARBOR ASSY. W/ SHEAVE, 14" SAWS (REFER TO ILLUS. 3 FOR BREAKDOWN)	1
17	10834	SCREW, CAP 1/4-20 X 1/2	2	43	10048	SCREW, CAP 5/16-24 X 3/4	4
18	10861	NUT, KEPS 1/4-20	2	44	10801	WASHER, LOCK 5/16	4
19	42302	DECK, ENGINE & ARBOR, HSS-14	1	45	10213	WASHER, FLAT 5/16 SAE	4
20	10021	SCREW, CAP 3/8-24 X 1	4	46	42306	COVER, BELT, HSS-14	1
21	10025	WASHER, FLAT 3/8 SAE	4	47	10018	SCREW, CAP 1/4-20 X 3/4	3
22	10312	WASHER, FLAT 1/2 SAE (USED AS A SHIM WHEN REQ'D. - QTY. 2)	4	48	10038	WASHER, LOCK 1/4	2
23	10004	NUT, LOCK 3/8-24	4	49	10602	WASHER, FLAT 1/4 SAE	4
24	80021	CONN., SWIVEL FEM. 3/4HOSE X 1/2MPT (INCLUDES ITEM 25 - HOSE WASHER)	1	50	10861	NUT, KEPS 1/4-20	1
25	10070	WASHER, HOSE 3/4	1	51	10341	SCREW, CAP 5/16-18 X 2-1/4	1
26	10711	VALVE, BALL 1/2 FPT	1	52	10801	WASHER, LOCK 5/16	1
				53	10902	NUT, WING 5/16-18	1

EdcoParts.com

888-634-4289

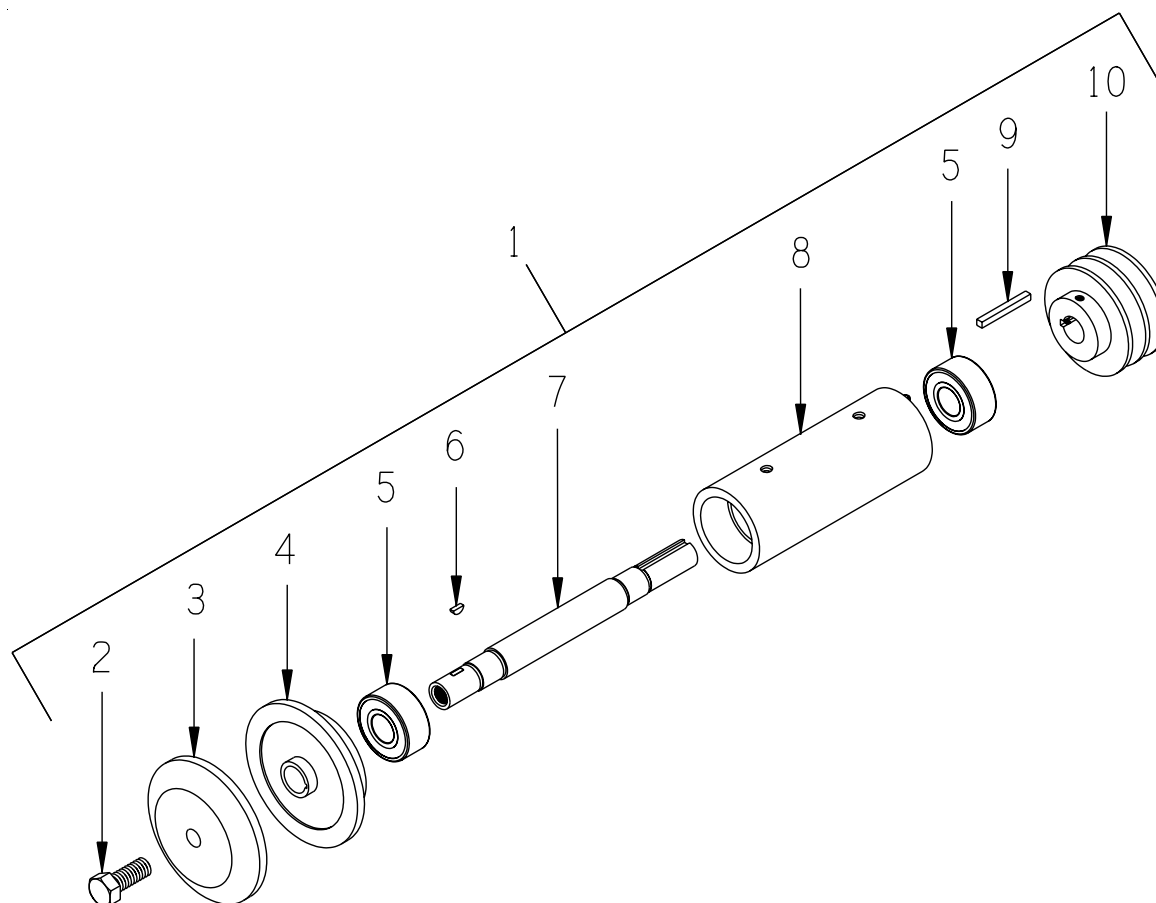
An iBuy Stores Company

ILLUSTRATION 2: ROLLING TABLE ASSEMBLY

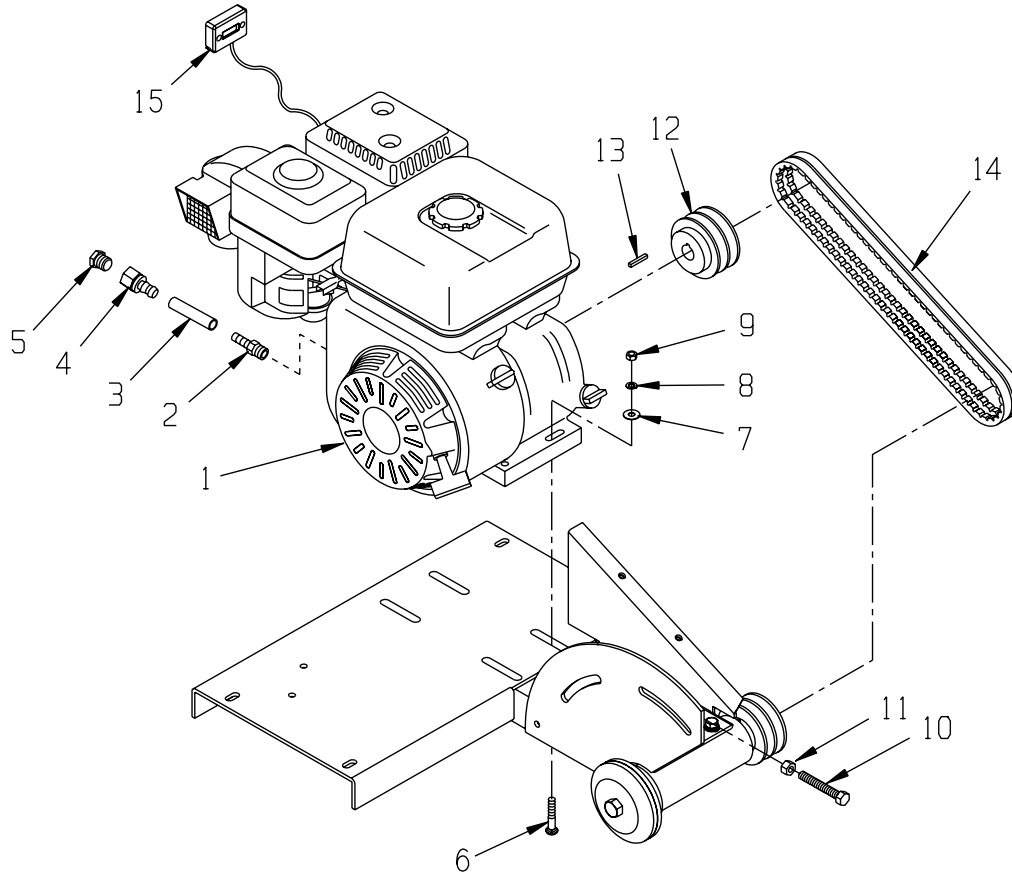


ITEM #	PART #	DESCRIPTION	QTY.	ITEM #	PART #	DESCRIPTION	QTY.
1	42315	TABLE COMPLETE, ROLLING, HSS-14 (INCLUDES ITEMS 2 THRU 25)	1	13	10602	WASHER, FLAT 1/4 SAE	7
2	42226	TABLE, ROLLING, GMS-10 & HSS-14	1	14	10861	NUT, KEPS 1/4-20	3
3	42222	RUBBER PAD 12 X 7-1/2 X 3/16	1	15	10031	SCREW, CAP 1/4-20 X 1	1
4	42221	RUBBER PAD 12 X 8 X 3/16	1	16	42106	LATCH, ROLLING TABLE	1
5	14082	PULLEY BEARING 1-1/4DIA. X 1/4BORE (A.K.A. TRACK WHEEL)	4	17	10013	NUT 1/4-20	1
6	10031	SCREW, CAP 1/4-20 X 1	4	18	11704	WASHER, FLAT .257 X .624 X .060THK	2
7	10602	WASHER, FLAT 1/4 SAE	4	19	10015	NUT, LOCK 1/4-20	1
8	10861	NUT, KEPS 1/4-20	4	20	40689A	GUIDE ASSY., CUT, UNIVERSAL (INCLUDES ITEMS 21 THRU 25)	1
9	42311	TABLE FRONT PANEL, HSS 14 (2 PCS.)	1	21	40425	KNOB, 3-PRONG W/ 3/8-16 X 5/8 STUD	1
10	40423	RULE, ADHESIVE-BACKED, 1-13, R-L	1	22	42015	BLOCK, CUT GUIDE, MASONRY SAW	1
11	40424	RULE, ADHESIVE-BACKED, 1-7, L-R	1	23	40689	BRACKET, CUT GUIDE, UNIVERSAL	1
12	10018	SCREW, CAP 1/4-20 X 3/4	3	24	10053	SCREW, CAP 5/16-18 X 3/4	1
				25	10801	WASHER, LOCK 5/16	1

ILLUSTRATION 3: ARBOR ASSEMBLY



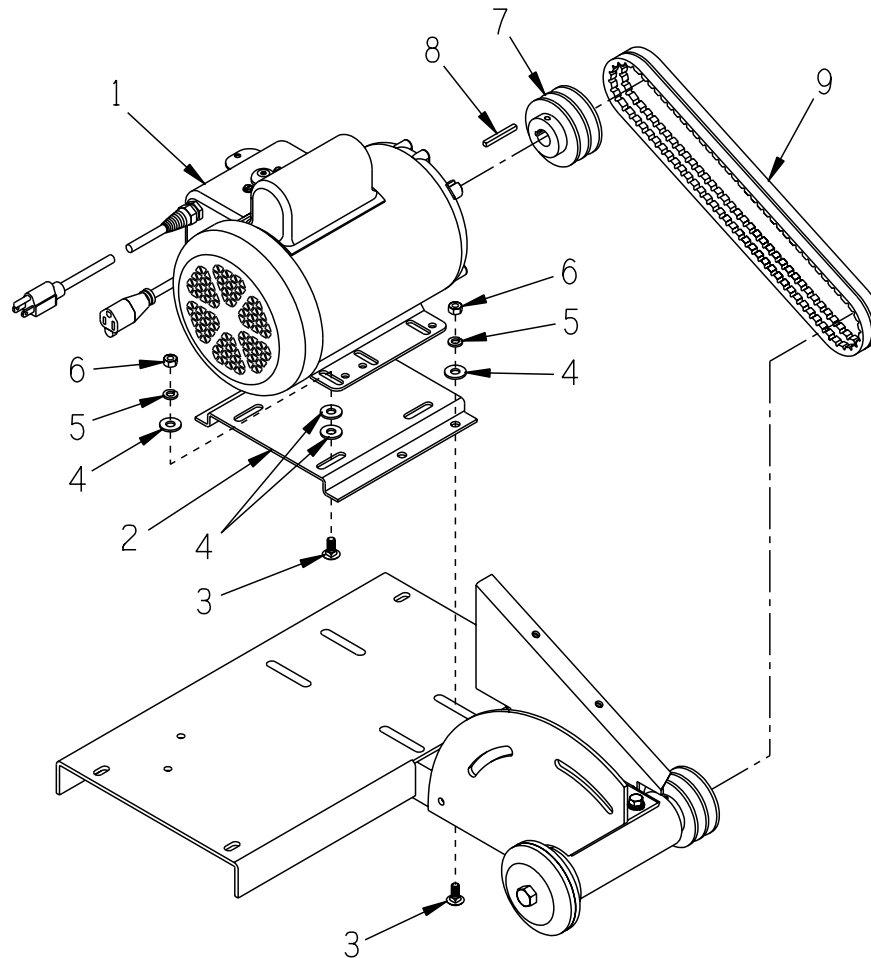
ITEM #	PART #	DESCRIPTION	QTY.
1*	40056A	ARBOR ASSY. W/ 2.75" 2GR.3V SHEAVE	1
	40056	ARBOR ASSY. W/ 3" 2GR.A SHEAVE	1
2	10321	SCREW, CAP 1/2-20 X 1-1/4	1
3	40023	ARBOR BLADE CAP 4", MASONRY SAW	1
4	40022	ARBOR BACKING PLATE 4", MASONRY SAW	1
5	40018	BEARING, RADIAL BALL 20X47X20.6MM	2
6	40036	KEY, WOODRUFF 1/8 X 3/8 (#403)	1
7	40021	ARBOR SHAFT 8-7/8"L GMS/MS/HSS-14	1
8	40020	ARBOR HOUSING, MS/GMS-14 & HSS-14	1
9	10170	KEY 3/16SQ X 1-3/4	1
10*	40694	SHEAVE 2.75"OD X 2GR.3V X 3/4"BORE	1
	40005	SHEAVE 3"OD X 2GR.A X 3/4"BORE	1
*NOTE: STARTING SERIAL # 110910092 USE PART # 40056A & 40694 PRIOR TO SERIAL # 110910092 USE PART # 40056 & 40005			

ILLUSTRATION 4: ENGINE GROUPING

ITEM #	PART #	DESCRIPTION	QTY.
1	40387	ENGINE, HONDA GX160U1-QXC9 CYC.A.C.	1
	15048	ENGINE, HONDA GX200U-QXC9 CYC.A.C.	1
2	11541	BARB, PUSH-ON 3/8 HOSE X10MM X 1.25	1
3	56116	HOSE, PUSH-ON 3/8"ID X 3"L	1
4	11544	BARB, PUSH-ON 3/8 HOSE X 1/4FPT	1
5	10776	PIPE PLUG 1/4 NPT (BRASS)	1
6	10918	BOLT, CARRIAGE 5/16-18 X 1-3/4 F.T.	4
7	10213	WASHER, FLAT 5/16 SAE ZINC	4
8	10801	WASHER, LOCK 5/16 ZINC	4
9	10054	NUT, HEX 5/16-18 ZINC	4
10	10410	BOLT, TAP 3/8-16 X 2-1/2 (FULL THD)	1
11	10404	NUT, HEX 3/8-16 ZINC	1
12*	40694	SHEAVE 2.75"OD X 2GR.3V X 3/4"BORE	1
	40005	SHEAVE 3"OD X 2GR.A X 3/4"BORE	1
13	----	KEY 3/16"SQ (INCLUDED / ENGINE)	1
14*	10276	BELT 3VX-355	2
	10233	BELT AX-34	2
15	15138	HOUR METER, INDUCTIVE (OPTIONAL)	1

*NOTE: STARTING SERIAL # 110910092 USE PART # 40694 & 10276.
 PRIOR TO SERIAL # 110910092 USE PART # 40005 & 10233.

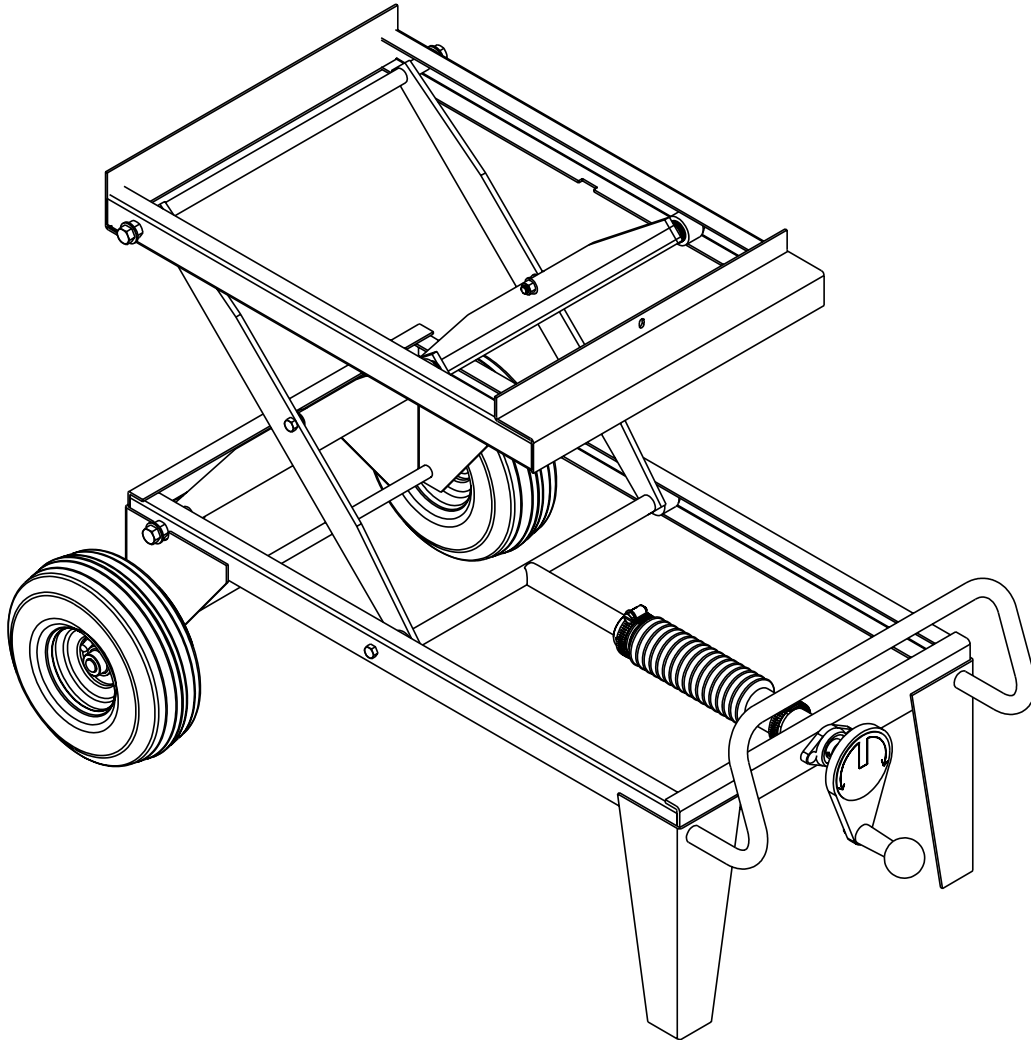
ILLUSTRATION 5: MOTOR GROUPING



ITEM #	PART #	DESCRIPTION	QTY.
1	16061	MOTOR, BALDOR 1.5HP-1P 60HZ 3450RPM 115/230V SPEC. NO. 35V801R760G1	1
		<i>REPLACEMENT PARTS:</i>	
	16164	CAPACITOR, RUN, BALDOR OC3040F09SP	
	16163	RESET BUTTON, BALDOR TPCRT40CA	
	40051	CAPACITOR, START, BALDOR EC1645A06SP	
	16510	SWITCH, TOGGLE DPST 20A SPAD	
2	42237	MOUNT BRKT., MOTOR	1
3	10819	BOLT, CARRIAGE 5/16-18 X 1 FULL THD	8
4	10213	WASHER, FLAT 5/16 SAE	16
5	10801	WASHER, LOCK 5/16	8
6	10054	NUT 5/16-18	8
7	40005	SHEAVE 3"OD X 2 GR.A X 3/4"BORE	1
8	10060	KEY 3/16 SQ X 1-1/4	1
9	10283	BELT AX-35	2

ILLUSTRATION 6: OPTIONAL PROCART

PART# 24750



ADJUSTABLE SCISSOR STYLE CART

REFER TO THE PROCART PARTS LIST MANUAL
FOR THE PARTS BREAKDOWN INFORMATION

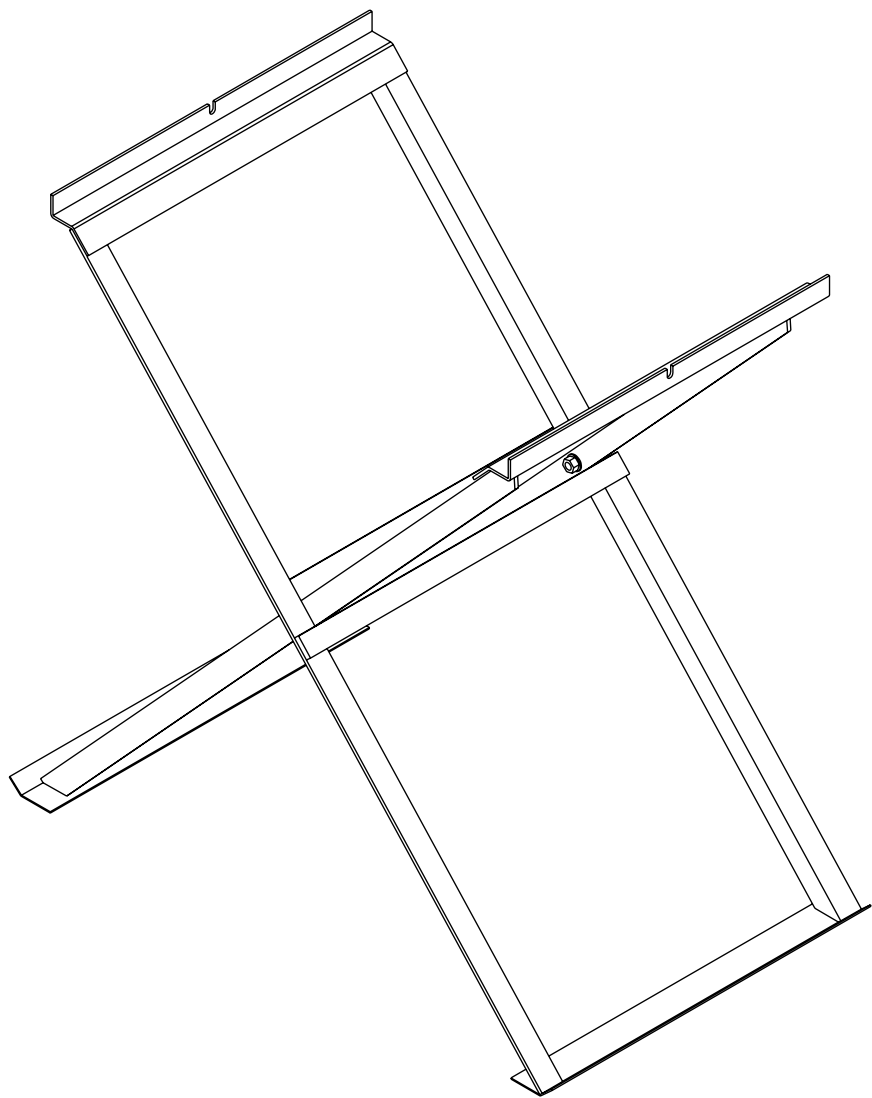
EdcoParts.com

888-634-4289

An iBuy Stores Company

ILLUSTRATION 7: OPTIONAL FOLDING STAND

PART# 24150



EdcoParts.com

888-634-4289

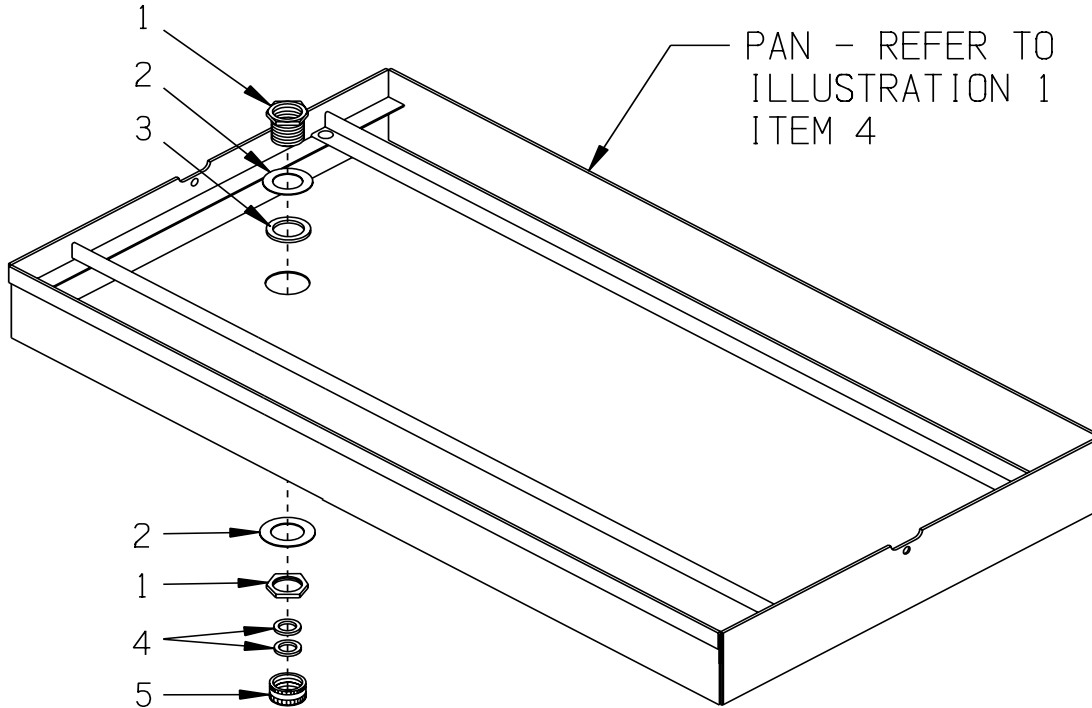
An iBuy Stores Company

ILLUSTRATION 8: OPTIONAL DRAIN ASSEMBLY

PART# 42250

INCLUDES ITEMS SHOWN BELOW

USE IN PLACE OF DRAIN PLUG
(ILLUSTRATION 1 - ITEM 5)



ITEM #	PART #	DESCRIPTION	QTY.
1	42251	FITTING, DRAIN 3/4NH X 1/2FPT (BRASS) (INCLUDES THIN JAM NUT)	1
2	10444	WASHER, ALUM. 1.885ODX1.060IDX .040	2
3	42252	WASHER, RUBBER 1-1/16IDX1-1/2ODX1/8	1
4	10070	WASHER, HOSE 3/4	2
5	42253	CAP, HOSE END (BRASS)	1

EdcoParts.com

888-634-4289

An iBuy Stores Company

ILLUSTRATION 9: OPTIONAL 115V WATER PUMP KIT**PART# 42320****ELECTRIC MODEL ONLY**

Connect the white plastic adapter fitting to the garden hose fitting that's connected to the ball valve located on the motor deck. Submerge the pump in water. Note: The pump will not work in the pan because it interferes with the rolling table. It will have to be used from a bucket, barrel or a external pan filled with water. Then connect the male plug to the female connector that is on the motor. The pump will now turn on with the motor when it is turned on.

**KIT INCLUDES:**

115 VAC SUBMERSIBLE PUMP P/N 42130
 BRASS HOSE BARB 1/4HOSE X 1/4FPT P/N 40415
 6FT. PVC TUBING 1/4"ID P/N 11532
 ADAPTER FITTING, MALE GHT X 1/4BARB . . . P/N 42321

EdcoParts.com

888-634-4289

An iBuy Stores Company