

OPERATION AND PARTS MANUAL



GLOBUG SERIES MODEL GB114BS/BP LIGHTING SYSTEM

Revision #3 (01/06/09)

THIS MANUAL MUST ACCOMPANY THE EQUIPMENT AT ALL TIMES.

TABLE OF CONTENTS

MQ GLOBUG LIGHTING SYSTEM

Table of Contents.....	2
Parts Ordering Procedures.....	3
Safety Information	4-7
Specifications	8
Dimensions (GB114BS)	9
Dimensions (GB114BP)	10
Floodlight Footcandle Plot	11
General Information.....	12
Components	14-15
Setup	16-17
Operation.....	18
Operation/Shutdown	19
Storage	20
Maintenance	21-25
Troubleshooting (Lamp).....	26
Wiring Diagram.....	27
Voltage Measurements.....	28-29
Explanation of Code in Remarks Column	30
Suggested Spare Parts	31

COMPONENT DRAWINGS

Nameplate and Decals	32-33
Ballast Assembly S/N G30001 & Below	34-35
Ballast Assembly S/N G30002 & Above	36-37
Fan Blower/Lamp Base Assembly	38-39
Balloon/Lamp Guard Assembly	40-41
Offset Pole Assembly	42-43
Terms and Conditions of Sale — Parts.....	44

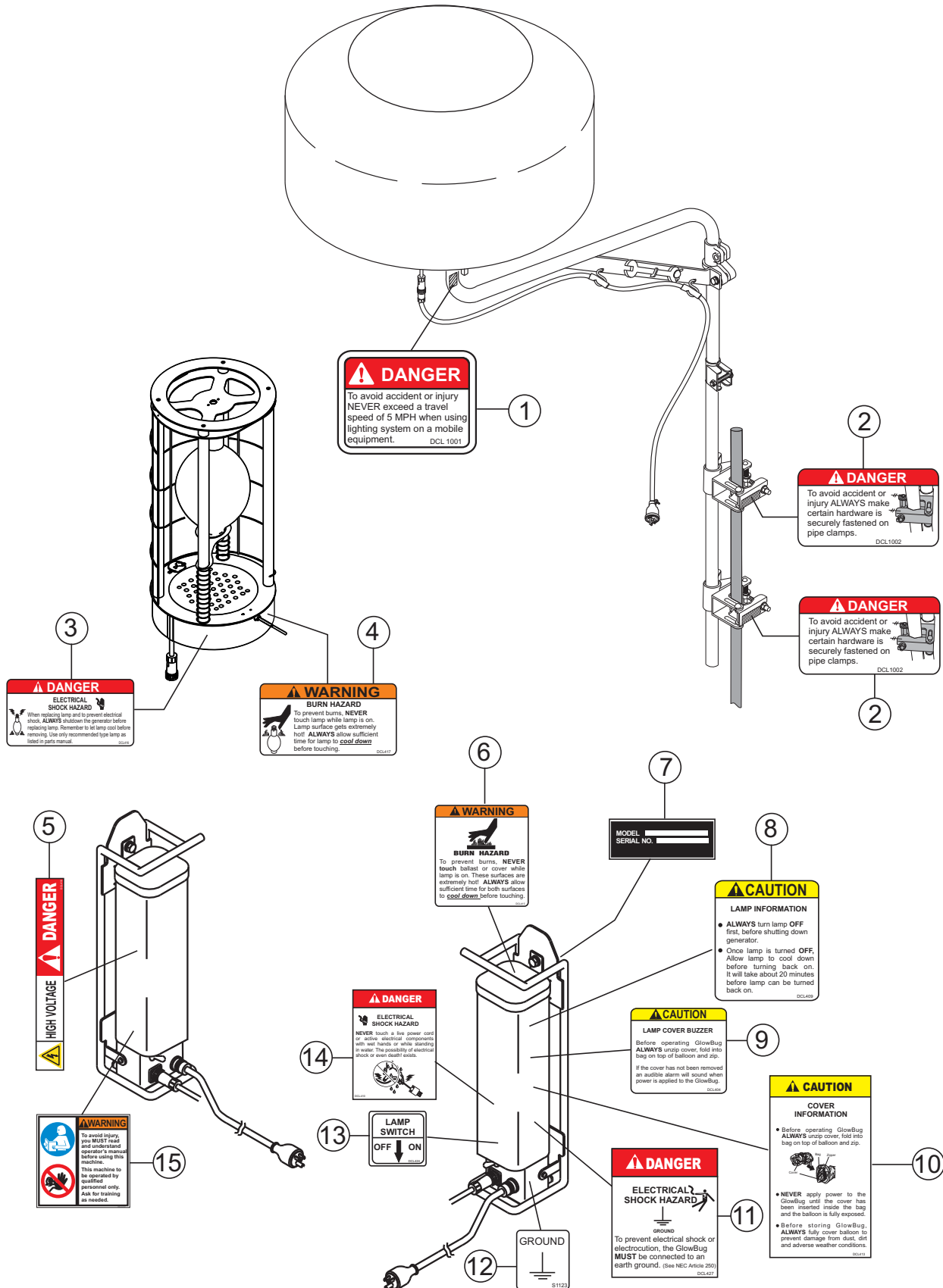
SUGGESTED SPARE PARTS

GB114BP/BS GLOBUG LIGHTING SYSTEM

1 to 3 units

<u>QTY.</u>	<u>P/N</u>	<u>DESCRIPTION</u>
2.....	LB41827	LAMP
2.....	A300033800	BALLAST
2.....	A300038400	CAPACITOR 22 μ F @ 480 VDC
2.....	1654000230.....	BALLOON PATCH KIT

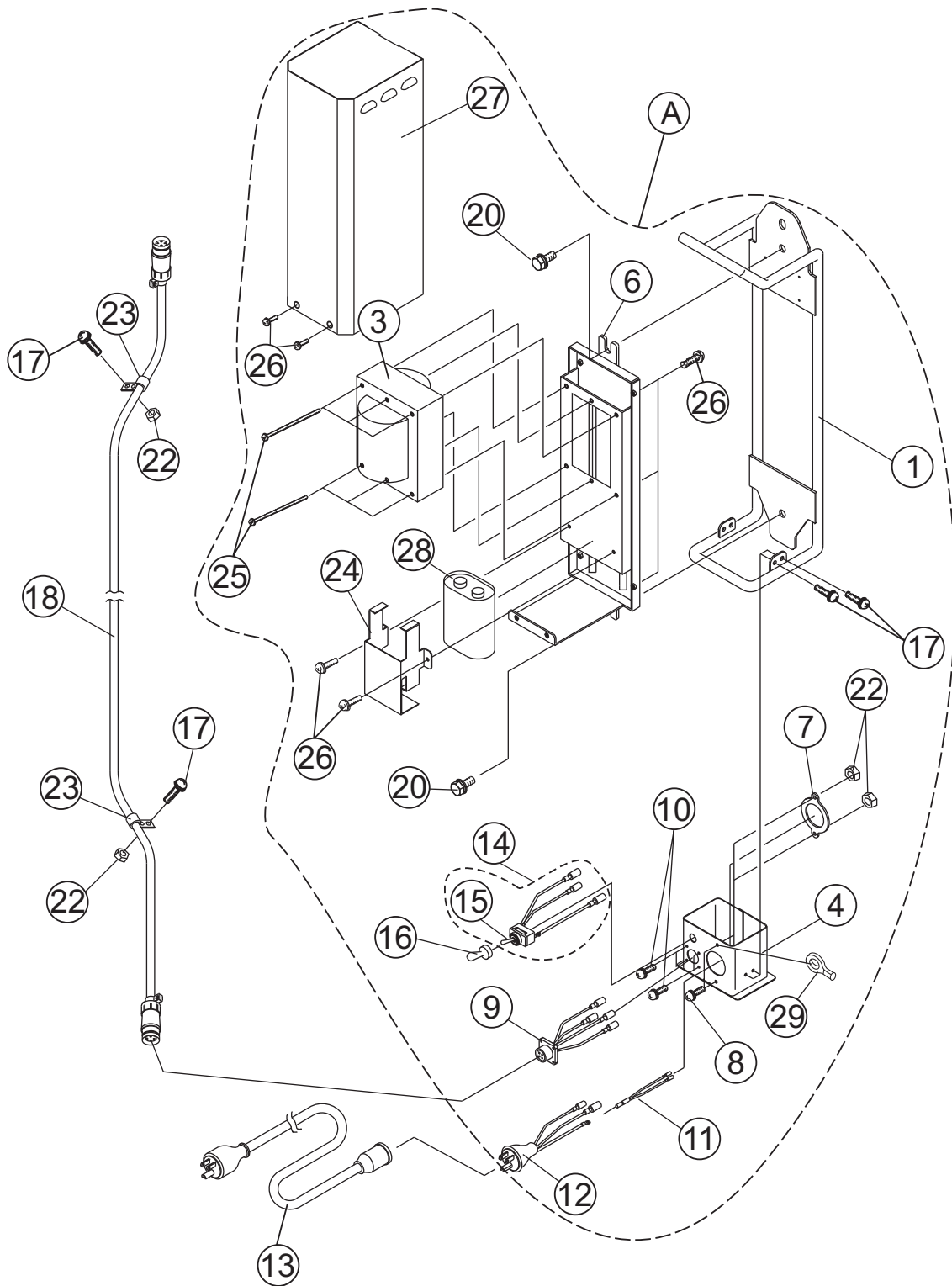
NAMEPLATE AND DECALS



NAMEPLATE AND DECALS

<u>NO.</u>	<u>PART NO.</u>	<u>PART NAME</u>	<u>QTY.</u>	<u>REMARKS</u>
1	DCL1001	DECAL; DANGER, TRAVEL SPEED	1	REPLACES P/N A400084000
2	DCL1002	DECAL; DANGER, PIPE CLAMP	1	
3	DCL416	DECAL; DANGER, ELECTRICAL SHOCK HAZ.	1	
4	DCL417	DECAL; WARNING, BURN HAZARD (LAMP)	1	
5	DCL418	DECAL; DANGER, HIGH VOLTAGE	1	
6	DCL415	DECAL; BURN HAZARD (BALLAST)	1	
7		NAMEPLATE.....	1	CONTACT MQ PARTS DEPT.
8	DCL409	DECAL; CAUTION, LAMP INFORMATION	1	
9	DCL404	DECAL; CAUTION LAMP COVER BUZZER	1	
10	DCL413	DECAL; CAUTION COVER INFORMATION	1	
11	DCL427	DECAL; DANGER, ELECTRICALSHOCK HAZARD	1	
12	0800628504	DECAL; GROUND	1	
13	DCL424	DECAL: LAMP SWITCH ON/OFF	1	
14	DCL410	DECAL; DANGER, ELECTRICAL SHOCK (CORDS)	1	
15	35137	DECAL; WARNING, READ MANUAL	1	

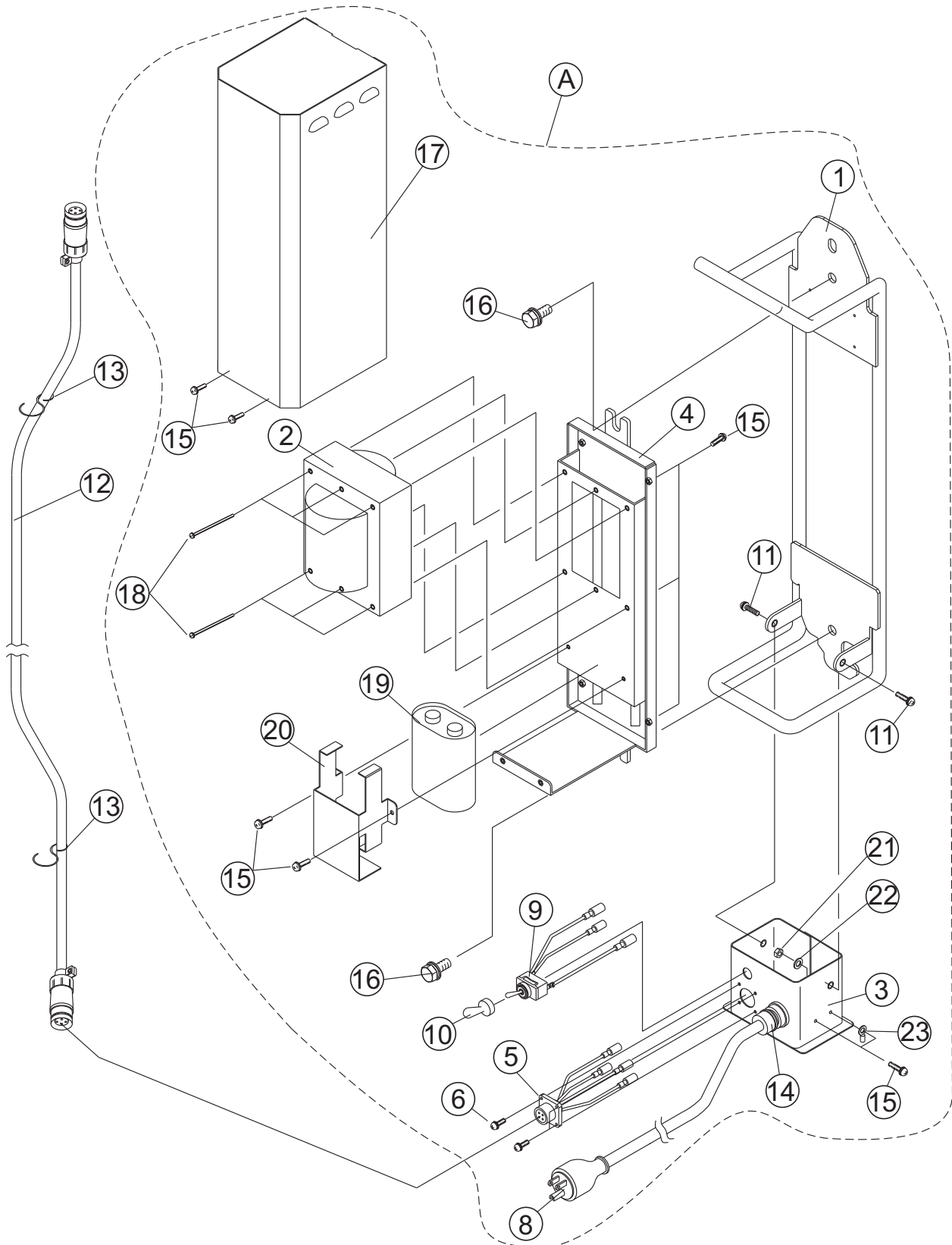
BALLAST ASSEMBLY. S/N G30001



BALLAST ASSEMBLY. S/N G30001

<u>NO.</u>	<u>PART NO.</u>	<u>PART NAME</u>	<u>QTY.</u>	<u>REMARKS</u>
A	A000017700	BALLAST ASSY.....	1	INCLUDES ITEMS W/ \$
1\$	A100010202	FRAME	1	
3\$	A300033800	BALLAST (TRANSFORMER) CP	1	INCLUDES ITEM W/ %
4\$	A200016900	CASE (WIRE)	1	
6\$	A200018100	CASE (BALLAST) 1 CP	1	
7\$	A400035200	HOLDER (PLUG)	1	
8\$	0020104015	SCREW & WASHER (M4x15)	2	
9\$	A400037600	CABLE (LAMP) CP	1	
10\$	0020503012	SCREW & WASHER (M3x12)	4	
11\$	A400038200	CABLE (JOINT)	1	
12\$	A400035800	PLUG CP	1	
13	A300034700	CABLE (MAIN) CP	1	
14\$	A400037500	SWITCH ASSY.....	1	INCLUDES ITEM W/ #
15\$#	E000036400	TOGGLE SWITCH	1	REPLACES P/N 1406000610
16\$	1406000700	RUBBER CAP	1	
17	0023304008	SCREW & WASHER (M4x8)	4	
18	A300034800	CABLE (LAMP) CP	1	
20	0013510025	BOLT & WASHER (M10x25)	2	
22	0033104000	NUT (M4)	4	
23	A400034100	CLAMP	2	
24\$	A200018200	HOLDER	1	
25\$	0023305090	SCREW & WASHER (M5x90)	6	
26\$	0023304012	SCREW & WASHER (M4x12)	10	
27\$	A100013500	CASE (BALLAST) 2 CP	1	
28\$%	19598	CAPACITOR, 24 μ F @ 480 VDC	1	
29\$	1367020430	GROUNDING TERMINAL	1	

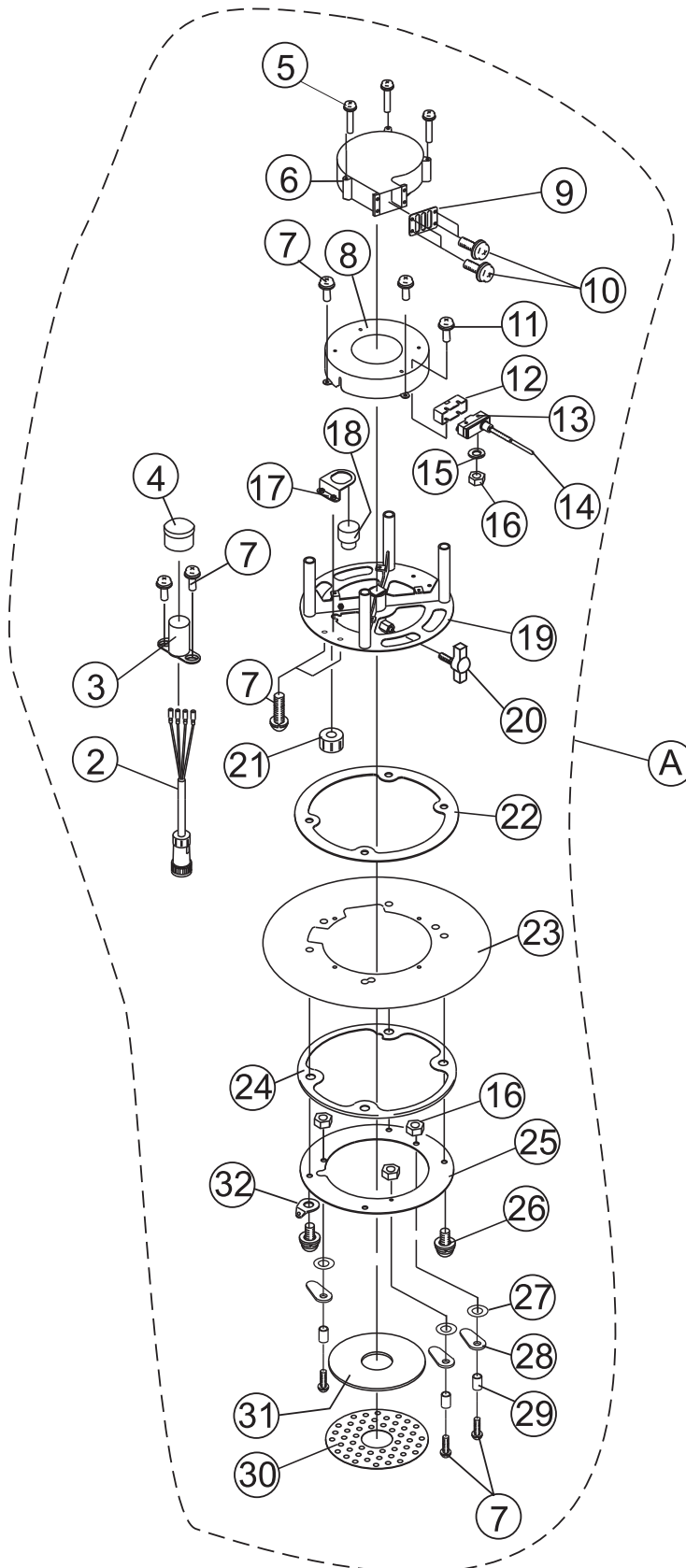
BALLAST ASSEMBLY. S/N G30002 & ABOVE



BALLAST ASSEMBLY. S/N G30002 & ABOVE

<u>NO.</u>	<u>PART NO.</u>	<u>PART NAME</u>	<u>QTY.</u>	<u>REMARKS</u>
A	A000017702	BALLAST ASSY.....	1.....	INCLUDES ITEMS W/ \$
1\$	A100015401	FRAME	1	
2\$	A300033800	BALLAST (TRANSFORMER) CP.....	1.....	INCLUDES ITEM W/ %
3\$	A200020904	CASE (WIRE)	1	
4\$	A200018100	CASE (BALLAST) 1 CP	1	
5\$	A400079400	CABLE (LAMP) CP	1	
6\$	0023303008	SCREW & WASHER (M3x8L)	4	
8\$	A300066700	CABLE (MAIN) CP	1	
9\$	A400037502	SWITCH ASSY.	1	
10\$	1406000700	RUBBER CAP	1	
11\$	0023306012	SCREW (M6x12L)	2	
12	A300083600	CABLE (LAMP) CP	1	
13	E000028200	S-HOOK	2	
14\$	E000045000	CABLE CLAMP	2	
15\$	0023304012	SCREW & WASHER (M4x12L)	12	
16\$	0013510025	BOLT & WASHER (M10x25)	2	
17\$	A100013500	CASE (BALLAST) 2 CP	1	
18\$	0023305090	SCREW & WASHER (M5x90)	6	
19\$%	A300038400	CAPACITOR, 24 μ F @ 480 VDC	1	
20\$	A200018200	HOLDER	1	
21\$	0033104000	NUT (M4)	2	
22\$	0043204000	WASHER, LOCK (M4)	2	
23\$	1367020430	TERMINAL (R)	1	

FAN BLOWER/LAMP BASE ASSEMBLY



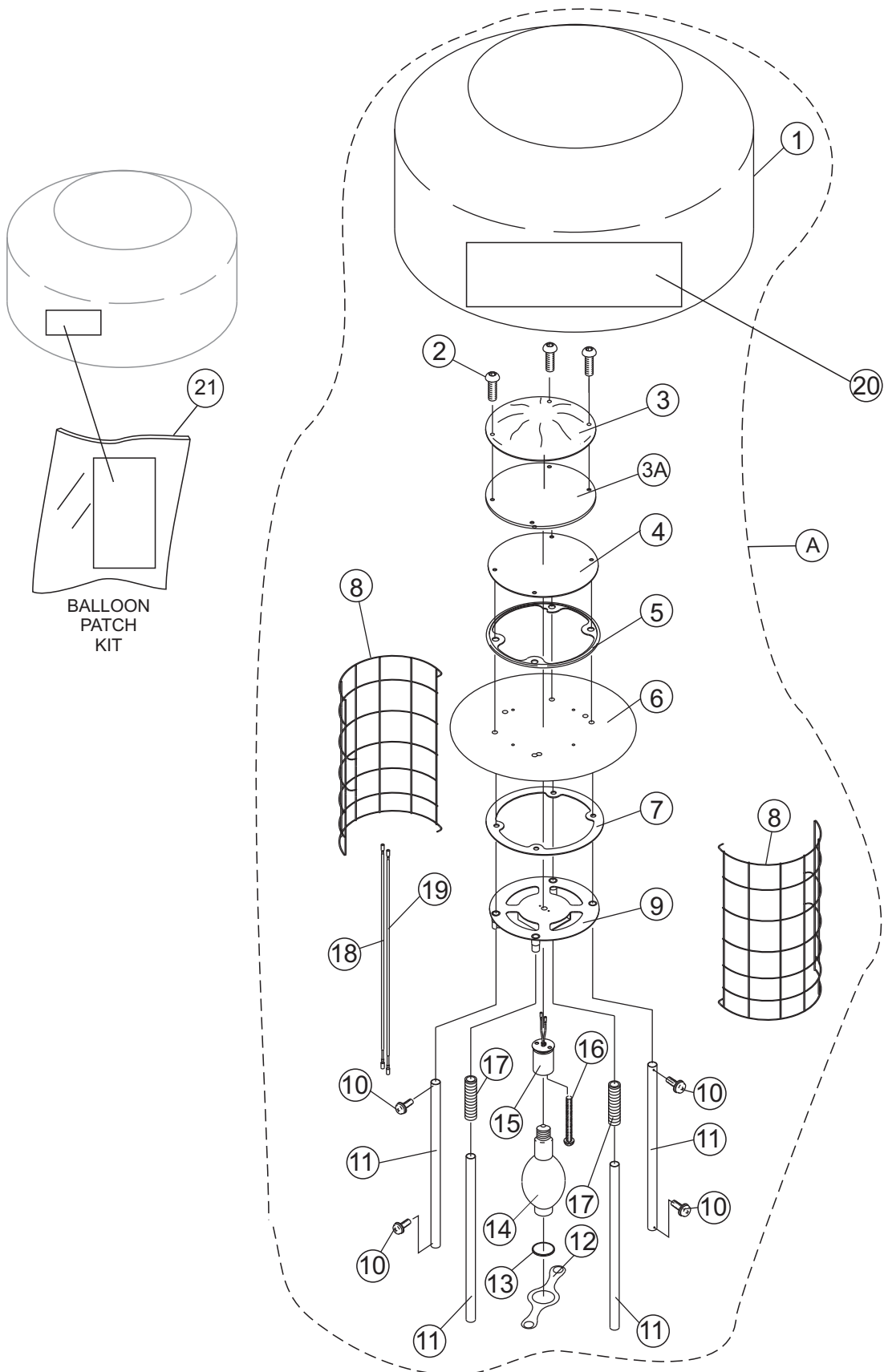
FAN BLOWER/LAMP BASE ASSEMBLY

NO.	PART NO.	PART NAME	QTY.	REMARKS
A	A000017600	BALLOON ASSY	1	S/N G30001 SEE NOTE 1
A	A000017601	BALLOON ASSY	1	S/N G30002 AND ABOVE SEE NOTE 2
2\$	A300033600	CABLE 1 (BALLOON) CP, QUICK-DISCONNECT	1	S/N G30001
2%	A300105500	CABLE 1 (BALLOON) CP, THREADED	1	S/N G30002 AND ABOVE
3#	A400038900	COVER (WIRE)	1	
4#	E000011900	COVER	1	
5#	0023305060	SCREW & WASHER (M5x60)	3	
6#	A300033500	FAN MOTOR CP	1	
7#	0024304008	SCREW (M4x8)	9	
8#	A200017702	FAN SUPPORT	1	
9#	A400037400	GUARD (FAN)	1	
10#	0023105008	SCREW (M5x8)	2	
11#	0023204030	SCREW (M4x30)	2	
12#	1400150300	MICRO SWITCH COVER	1	
13#	1400150210	MICRO SWITCH	1	
14#	1400150410	MICRO SWITCH CAP (SENSOR)	1	
15#	0043104000	WASHER (M4)	2	
16#	0033104000	NUT (M4)	5	
17#	A400038601	BRACKET (BUZZER)	1	
18#	E000030100	BUZZER	1	
19\$	A100013301	FLANGE.....	1	S/N G30001
19%	A100013302	FLANGE.....	1	S/N G30002 AND ABOVE
20#	E000065400	T-HANDLE KNOB	1	
21\$	E000010400	CABLE CLAMP	1	S/N G30001
21%	E000045000	CABLE CLAMP	1	S/N G30002 AND ABOVE
22#	2204500130	SEAL (NORMAL)	1	
23#	1800001100	SHEET (BOTTOM)	1	
24#	2204500230	PACKING	1	
25#	A300034400	PLATE (BOTTOM)	1	
26#	0014808025	BUTTON SCREW & WASHER (M8x25)	8	
27#	E000009701	WAVE WASHER (M5)	3	
28#	A400030700	STOPPER (FILTER) CP	3	
29#	E000010301	SPACER	3	
30#	A200018000	PLATE (AIR)	1	
31#	A400038300	FILTER 200 (AIR)	1	
32#	2204510110	WASHER	1	

NOTE 1: Balloon assembly A includes all items w/ # and \$ on the Fan Blower/Lamp Base Assy parts list on this page AND on the Balloon/LampGuard Assy. parts list.

NOTE 2: Balloon assembly A includes all items w/ # and % on the Fan Blower/Lamp Base Assy parts list on this page AND on the Balloon/LampGuard Assy. parts list.

BALLOON/LAMP GUARD ASSEMBLY



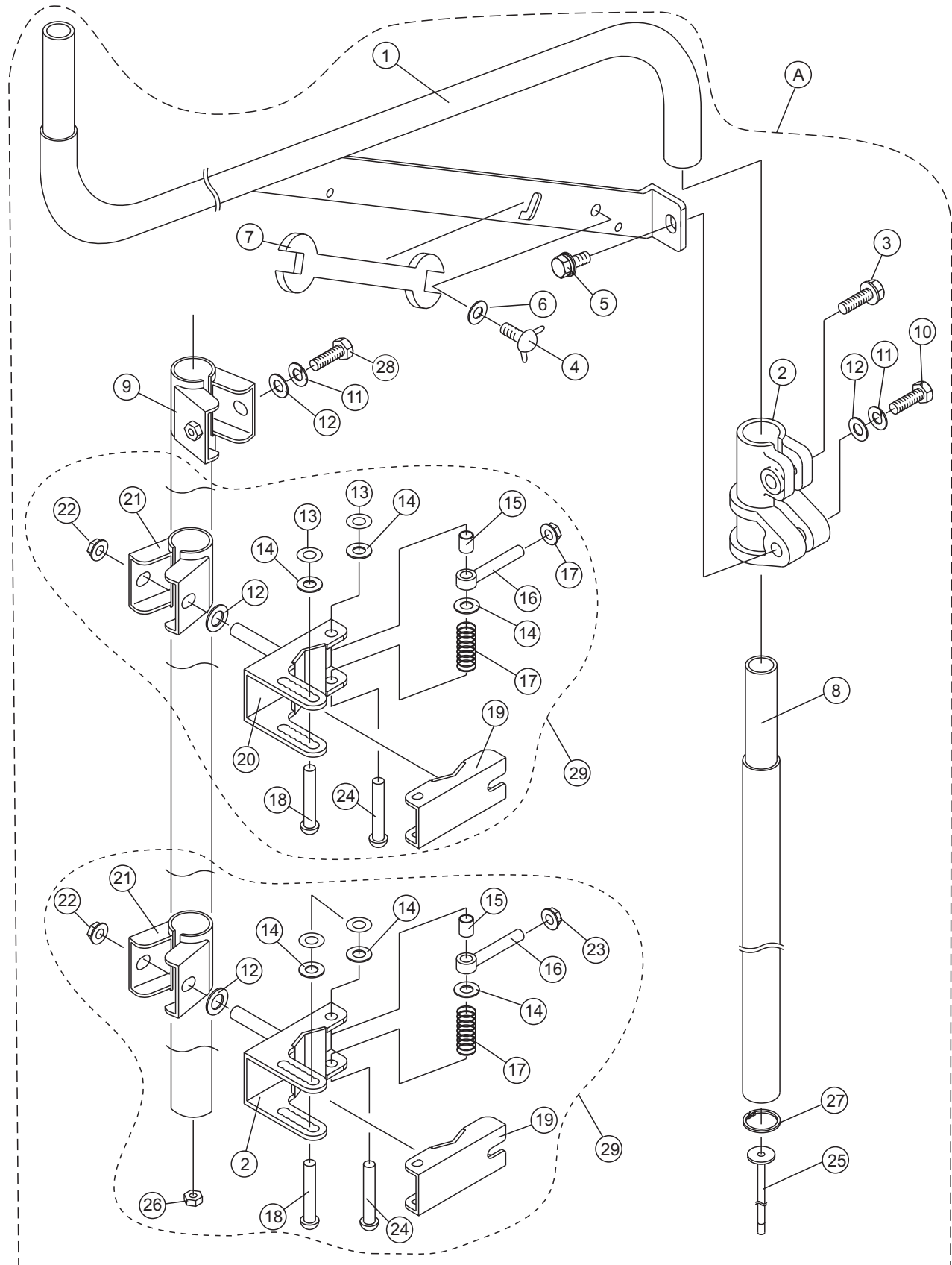
BALLOON/LAMP GUARD ASSEMBLY

<u>NO.</u>	<u>PART NO.</u>	<u>PART NAME</u>	<u>QTY.</u>	<u>REMARKS</u>
A	A000017600	BALLOON ASSY	1	S/N G30001 SEE NOTE 1
A	A000017601	BALLOON ASSY	1	S/N G30002 AND ABOVE SEE NOTE 2
1	GBBAL120	BALLOON CLOTH CP (OVAL-SHAPED).....	1	OPTIONAL
1#	GBBAL115D	BALLOON CLOTH CP (DRUM-SHAPED)	1	
2#	0014808025	BUTTON SCREW & WASHER (M8 X 25)	4	
3#	A100028505	BALLOON COVER	1	REPLACES P/N A100028503
3A#	A300060202	SEAL (TOP)	1	
4#	2204220130	PLATE (CAP)	1	
5#	2204500230	PACKING	1	
6#	1800001000	SHEET (TOP)	1	
7#	2204500130	SEAL NORMAL (TOP)	1	
8#	A100010800	LAMP GUARD	2	
9#	A300026901	PLATE (LAMP)	1	
10#	0024304008	SCREW (M4x8)	4	
11#	2204400130	FRAME PIPE	4	
12#	A300032700	PLATE (LAMP HOLDER)	1	
13#	2204231730	RUBBER (LAMP)	1	
14#	E000009800	LAMP	1	REPLACES P/N LB41827
15#	E000009601	SOCKET ASSY	1	
16#	0025304025	SCREW & WASHER (M4x25)	2	
17#	2204231530	SPRING (LAMP)	2	
18#	A400038400	CABLE (LAMP) 1 R CP	1	
19\$	A400038500	CABLE (LAMP) 1 G CP	1	S/N G30001
19%	A400038501	CABLE (LAMP) 1 W CP	1	S/N G30002 AND ABOVE
20	GBBALD1	BLANK MESSAGE STRIP (OPTIONAL)	1	CONTACT MQ UNIT SALES
21	1654000230	BALLOON PATCH KIT (OPTIONAL).....	1	CONTACT MQ UNIT SALES

NOTE 1: Balloon assembly A includes all items w/ # and \$ on the Balloon/LampGuard Assy parts list on this page AND on the Fan Blower/Lamp Base Assy. parts list.

NOTE 2: Balloon assembly A includes all items w/ # and % on the Balloon/LampGuard Assy parts list on this page AND on the Fan Blower/Lamp Base Assy. parts list.

OFFSET POLE ASSEMBLY



OFFSET POLE ASSEMBLY

<u>NO.</u>	<u>PART NO.</u>	<u>PART NAME</u>	<u>QTY.</u>	<u>REMARKS</u>
A	A000018200	OFFSET POLE ASSY.	1	INCLUDES ITEMS W/ \$
1\$	A200019103	OFFSET POLE	1	
2\$	A200018303	ADAPTER (OFFSET PIPE)	1	
3\$	0013512045	BOLT AND WASHER (M12X45)	1	
4\$	0014210025	WING BOLT (M10X25)	1	
5\$	0013510025	BOLT AND WASHER (M10X25)	1	
6\$	0043110026	WASHER (M10)	1	
7\$	E000028100	17/19 MM WRENCH	1	
8\$	A300040904	POLE 2	1	
9\$	A200021902	POLE 1	1	
10\$	0013112055	BOLT (M12X55)	1	
11\$	0043212000	SPRING WASHER (M12)	2	
12\$#	0043112000	WASHER (M12)	4	
13\$#	0030810000	PUSH NUT (M10)	4	
14\$#	0043110000	WASHER (M10)	6	
15\$#	E000028300	SPACER	2	
16\$#	E000028401	BOLT (M10X80)	2	
17\$#	A400067600	SPRING	2	
18\$#	A400061500	RIVET	2	
19\$#	A300053901	CLAMP 1	2	
20\$#	A200025203	CLAMP 2	2	
21\$#	A300043601	BAND (POLE) 3T	2	
22\$#	E000042101	NUT (M12)	2	
23\$#	E000042001	NUT (M10)	2	
24\$#	0054010060	RIVET (10-60)	2	
25\$	A400082101	SHAFT (STOPPER) CP	1	
26\$	0033206000	SELF LOCK NUT (M6)	1	
27\$	0040825000	C-CLIP	1	
28\$	0013112065	BOLT (M12X65)	1	
29\$	A000025300	POLE CLAMP ASSEMBLY	2	INCLUDES ITEMS W/ #