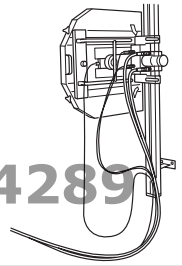


DIMAS

ConstructionParts.com

888-634-4289



IPL, DIMAS WS 355, 2004-46, 531 12 22-77

DIMAS WS 355

Reservdelar

Spare parts

Ersatzteile

Pieces de rechange

Piezas de repuesto

Ricambi

Peças
sobresselente

ConstructionParts.com

ConstructionParts.com

From machine number: 2193

888-634-4289

531 12 22-77

DIMAS

No.	Pos.	Description	No.	Pos.	Description
531 11 30-40	C	Guide wheel complete	531 11 92-77	A	O-ring 31,4x1,6
531 11 30-44	G	Flush cut flange compl. Std.	531 11 92-79	B	O-ring 40x1
531 11 30-67	F	Hydraulic motor compl	531 11 92-80	BC	O-ring 43x1,6
531 11 30-78	F	Shaftseal set SCN 18x30x6	531 11 92-83	E	O-ring 44,2x3
531 11 31-59	E	Pivoting arm compl.	531 11 92-85	D	O-ring 49x1,6
531 11 31-61	B	Feeding motor down feed	531 11 93-03	C	Key PK 4x4x18
531 11 31-67	B	Motorbracket complete	531 11 93-07	D	Key PK 6x6x14
531 11 31-68	B	Feeding motor cpl	531 11 93-08	E	Key PK 6x6x16
531 11 31-69	B	Worm gear 50:1 complete	531 11 93-10	E	Key PK 8x7x25
531 11 31-70	B	Worm gear 33:1 complete	531 11 93-12	D	Key PK 8x7x35
531 11 31-72	D	Feeding wheel compl.	531 11 93-19	F	Shaft seal
531 11 31-77	F	Hydraulic motor compl	531 11 93-20	E	Seeger circlip
531 11 31-81	E	Pivoting arm	531 11 93-22	D	Seeger circlip
531 11 31-82	E	Pivoting arm compl. US/CAN	531 11 93-26	JL	Washer 7x22
531 11 31-95	G	Flush cut flange compl. 1"	531 11 93-40	F	Plug
531 11 31-96	I	Guide wheel lower compl.	531 11 93-41	F	Plug
531 11 31-97	I	Guide wheel upper compl.	531 11 93-44	C	X-ring 29,82x2,62
531 11 31-98	I	House compl.	531 11 93-45	D	X-ring 85,32x3,53
531 11 31-99	I	Bladeguard guide compl.	531 11 93-50	G	Screw MF6S 4x12 12.9
531 11 32-00	H	Mounting bracket compl.	531 11 93-53	JK	Screw MLC6S 6x12
531 11 32-24	H	Measure rod kompl.	531 11 93-55	A	Spring
531 11 80-41	F	Quick coupling female	531 11 93-56	C	Bushing PCM 252815
531 11 80-42	F	Quick coupling male	531 11 93-64	H	Spring
531 11 80-45	B	Quick coupling female	531 11 93-65	F	O-ring 11,3x2,4 Viton
531 11 80-46	B	Quick coupling male	531 11 93-67	E	O-ring 64x2
531 11 81-13	E	Magnetic plug	531 11 93-75	D	X-ring 114x1,78
531 11 81-44	F	Pressure relief valve	531 11 93-76	D	O-ring 94,97x1,78
531 11 81-93	F	Spring	531 11 93-77	DE	Screw MC6S 8x75
531 11 81-96	B	Tooth wheel set 32cc	531 11 94-06	D	Key PK 5x5x16
531 11 81-98	B	Driving shaft	531 11 94-07	E	Key PK 6x6x20
531 11 82-18	E	Watercoupling	531 11 94-08	G	Screw UF6S 5/16-18 x 5/8
531 11 82-55	B	Tooth wheel set 50cc	531 11 94-10	G	Screw MC6S 12x90
531 11 82-63	B	Driving shaft 50cc	531 11 94-13	IJK	Handle
531 11 90-45	FI	Ball	531 11 94-14	I	Strap
531 11 90-83	E	Thrust washer	531 11 94-15	JK	Strap fastener
531 11 90-85	E	Thrust needle bearing	531 11 94-16	I	Saddle washer
531 11 90-94	E	Needle bearing	531 11 94-18	H	Screw M6S 12x120
531 11 90-95	H	Rivet	531 11 94-20	H	O-ring 40x2
531 11 90-97	A	Ring nut	531 11 94-24	A	Chain
531 11 90-98	F	Spring	531 11 94-25	I	Washer
531 11 90-99	F	Ball	531 11 94-26	KL	Screw K6S 6x16
531 11 91-02	A	Locking washer	531 11 94-32	L	Plug
531 11 91-44	D	Bearing	531 11 94-35	K	Edge list 3,3 Meter
531 11 91-45	B	Washer	531 12 13-44	F	Support ring
531 11 91-46	C	Thrust washer	531 12 14-02	F	Valve lever hub
531 11 91-47	A	Thrust washer	531 12 14-03	F	Valve lever
531 11 91-49	CF	Thrust needle bearing	531 12 14-50	E	Thrust washer
531 11 91-50	B	Thrust needle bearing	531 12 14-54	E	Distance washer
531 11 91-51	C	Thrust needle bearing	531 12 14-68	I	Distance
531 11 91-52	G	Plug	531 12 16-11	K	Knob
531 11 91-55	C	Needle bearing	531 12 20-02	E	Running shaft
531 11 91-56	C	Needle	531 12 20-03	E	Running wheel
531 11 91-58	C	Shim	531 12 20-04	E	Blade wheel
531 11 91-65	JK	Blind rivet 4x12	531 12 20-05	E	Primary shaft
531 11 91-77	E	Shaft seal	531 12 20-06	E	Sealing washer
531 11 91-79	E	Shaft seal	531 12 20-07	E	Guide ring
531 11 91-81	I	Washer BRB 10,5x22	531 12 20-08	E	Cover
531 11 91-83	GH	Washer 13x24x2	531 12 20-09	E	Blade shaft
531 11 91-85	EF	Sealing washer	531 12 20-10	E	Sealing cover
531 11 91-88	B	Sealing ring	531 12 20-11	E	Blade flange
531 11 92-02	G	Screw M6S 12x25	531 12 20-12	E	Blade flange
531 11 92-03	GH	Screw M6S 12x30	531 12 20-14	A	Saw-carriage
531 11 92-06	G	Screw M6S 12x40	531 12 20-19	D	Locking nut
531 11 92-07	G	Screw M6S 12x45	531 12 20-21	D	Spacer ring
531 11 92-12	I	Screw M6S 6x20	531 12 20-22	C	Operating spindle
531 11 92-18	K	Screw M6S 8x25	531 12 20-25	C	Guide wheel
531 11 92-22	E	Screw M6S 12x90 12.9	531 12 20-26	C	Nut
531 11 92-49	L	Nut cap MHM M6	531 12 20-27	G	Rack
531 11 92-60	J	Washer 5x19x1	531 12 20-28	G	Rack
531 11 92-62	F	O-ring 18,3x2,4	531 12 20-29	A	Protecting shield

No.	Pos.	Description	No.	Pos.	Description
531 12 20-33	C	Bearing housing	531 12 22-96	J	Outer side, Right compl. 1000mm
531 12 20-34	C	Axial journal	531 12 23-03	J	Outer side, Left compl. 1000mm
531 12 20-37	D	Worm gear	531 12 23-12	K	Flush bladeguard 1000 compl.
531 12 20-43	G	Guide	531 12 23-15	K	Outer side Right 1000 compl.
531 12 20-44	G	Guide	531 12 23-17	K	Outer side Left 1000 compl.
531 12 20-48	C	Distance	531 12 23-21	D	Feeding shaft
531 12 20-49	E	Plug	531 12 23-22	E	Plug
531 12 20-63	G	Compression washer	531 12 23-33	A	Attachment
531 12 20-70	G	Safety stop	531 12 23-38	I	Distance
531 12 20-84	F	Valve block	531 12 23-40	I	Distance pipe Left
531 12 20-85	F	Valve plate	531 12 23-43	I	Strap fastener alu.
531 12 20-86	F	Retracting block	531 12 23-45	J	Splash guard compl.
531 12 20-87	F	Valve	531 12 23-49	J	Splash guard
531 12 21-06	F	Plug	531 12 23-52	JK	Slide rail
531 12 21-07	F	Cone	531 12 23-57	H	Friction plate
531 12 21-08	B	Cover	531 12 23-58	I	Guide axle lower
531 12 21-11	G	Coupling link	531 12 23-60	H	Grade plate
531 12 21-18	G	Compression washer	531 12 23-61	J	Bladeguard compl. 1240mm
531 12 21-20	G	Flush cut flange	531 12 23-69	J	Outer side, Right compl. 1240mm
531 12 21-21	G	Track	531 12 23-76	J	Outer side, Left compl. 1240mm
531 12 21-22	G	Track	531 12 23-85	L	Bar
531 12 21-23	G	Track	531 12 23-88	L	Cramp
531 12 21-24	G	Rack	531 12 23-90	L	Holder
531 12 21-25	G	Guide	531 12 24-16	K	Flush bladeguard 1240 compl.
531 12 21-36	A	Stud	531 12 24-19	K	Outer side Right 1240 compl.
531 12 21-37	A	Securing plate	531 12 24-21	K	Outer side Left 1240 compl.
531 12 21-50	G	Mounting bracket	531 12 24-47	A	Locking nut
531 12 21-52	A	Hood	531 12 24-50	E	Blade shaft 1"
531 12 21-67	A	Washer	531 12 24-51	E	Blade flange 1"
531 12 21-69	L	Guide	531 12 24-52	E	Blade flange 1"
531 12 21-73	F	Plug	531 12 24-53	G	Flush cut flange 1" US/CAN
531 12 21-78	I	Guide frame	531 12 24-54	H	Mounting bracket
531 12 21-82	I	Guide axle upper	531 12 24-55	H	Shaft
531 12 21-83	I	Wheel	531 12 24-56	H	Link to track-holder
531 12 21-84	I	House	531 12 24-57	H	Track holder
531 12 21-85	I	Excentric shaft	531 12 24-58	H	Clamping plate
531 12 21-86	I	Lock	531 12 24-59	H	Clamping plate nut
531 12 21-87	I	Bar attachment	531 12 24-60	H	Breaking plate
531 12 21-88	I	Bar	531 12 24-64	A	Lifting cylinder
531 12 21-89	A	Guide spindle	531 12 24-65	A	Chain adjuster Right
531 12 21-90	I	Upper alu.profile	531 12 24-66	A	Chain adjuster Left
531 12 21-91	I	Distance	531 12 24-67	A	Fixed Handle
531 12 21-92	I	Lower alu.profile	531 12 24-68	A	Lifting handle
531 12 21-93	I	Distance pipe Right	531 14 20-25	F	Nipple
531 12 21-96	JK	Guide	531 14 20-26	B	Nipple
531 12 22-15	J	Bladeguard compl. 800mm	720 12 65-50	F	Cylindrical pin 4x6
531 12 22-39	J	Bracket	720 13 08-50	E	Cylindrical pin 5x16
531 12 22-40	J	Lock shackle	720 13 53-50	H	Cylindrical pin 6x20
531 12 22-43	JK	Lock key, Right	720 13 65-51	H	Cylindrical pin 6x50
531 12 22-44	JK	Lock key, Left	721 41 66-00	I	Spring pin 2x12
531 12 22-45	JK	Lock cone	721 42 57-00	L	Spring pin 4x22
531 12 22-49	J	Outer side, Right compl. 800mm	721 42 58-00	F	Locking pin FRP 4x20
531 12 22-50	J	Outer side, Left compl. 800mm	725 53 01-51	B	Screw MC6S 4x35
531 12 22-51	E	Waterhose	725 53 04-51	B	Screw MC6S 4x45 12.9
531 12 22-53	K	Flush bladeguard 800 compl.	725 53 29-01	AB	Screw MC6S 5x16
531 12 22-55	K	Outer side Right 800 flush compl.	725 53 33-01	B	Screw MC6S 5x25
531 12 22-56	K	Outer side Left 800 flush compl.	725 53 39-01	A	Screw MC6S 5x40
531 12 22-60	K	Top holder	725 53 64-01	G	Screw MC6S 6x10
531 12 22-69	E	Water block	725 53 66-01	JK	Screw MC6S 6x12
531 12 22-70	A	Chain wheel	725 53 68-01	JK	Screw MC6S 6x16
531 12 22-72	B	Stop screw check valve	725 53 70-01	CIJK	Screw MC6S 6x20
531 12 22-73	E	Casing	725 53 74-01	E	Screw MC6S 6x30
531 12 22-76	JK	Support bar	725 53 76-01	F	Screw MC6S 6x35
531 12 22-78	D	Axle pivoting arm	725 53 78-01	F	Screw MC6S 6x40
531 12 22-79	D	Carrier	725 53 79-01	I	Screw MC6S 6x45
531 12 22-80	D	Brake lining	725 54 53-01	F	Screw MC6S 8x25
531 12 22-84	B	Adapter	725 63 27-51	DF	Screw MF6S 5x12
531 12 22-85	D	Pivoting arm wheel 50:1	725 63 37-51	I	Screw MF6S 5x35
531 12 22-87	D	Feeding cover	725 63 66-51	E	Screw MF6S 6x12
531 12 22-88	J	Bladeguard compl. 1000mm	725 63 68-51	AIL	Screw MF6S 6x16

No.	Pos.	Description	No.	Pos.	Description
725 63 70-51	EJK	Screw MF6S 6x20			
725 64 49-51	AG	Screw MF6S 8x16			
728 54 53-05	A	Stop screw P6SS 8x25			
728 64 51-05	A	Stop screw T6SS 8x20			
728 83 27-05	D	Stop screw SK6SS 5x12			
728 84 43-01	D	Stop screw SK6SS 8x8			
731 23 16-01	A	Nut M6			
731 43 20-01	IL	Nut ML6M 10			
731 43 22-01	C	Nut ML6M M12			
732 25 14-01	I	Nut M5 Nylock			
732 25 16-01	AEI	Locking nut M6			
732 25 22-71	H	Locking nut M12			
734 11 52-01	AEIJK	Washer BRB 6,4x12			
734 11 63-01	DF	Washer BRB 8,4x16			
735 31 30-10	F	Seeger circlip SGH 30			
735 31 33-10	I	Retaining ring SGH 35			
738 21 03-04	D	Bearing			
738 21 04-04	D	Bearing			
738 21 05-00	E	Bearing			
738 22 02-24	I	Bearing 6202-2RS1			
738 22 06-15	E	Bearing			
740 38 18-01	B	Sealing ring			
740 42 04-00	A	O-ring 6,1x1,6			
740 42 05-00	I	O-ring 7,1x1,6			
740 42 09-00	E	O-ring 11,1x1,6			
740 42 14-00	E	O-ring 16,1x1,6			
740 42 22-00	E	O-ring 32,1x1,6			
740 43 07-00	FG	O-ring 9,3x2,4			
740 43 08-00	I	O-ring 10,3x2,4			
740 43 09-00	CF	O-ring 11,3x2,4			
740 43 11-00	E	O-ring 13,3x2,4			
740 43 12-00	E	O-ring 14,3x2,4			
740 44 04-00	F	O-ring 19,2x3			
740 44 12-00	E	O-ring 39,2x3,0			
740 68 11-21	A	V-ring V 18 A			
740 68 12-21	A	V-ring V 20 A			

888-634-4289

ConstructionParts.com

888-634-4289

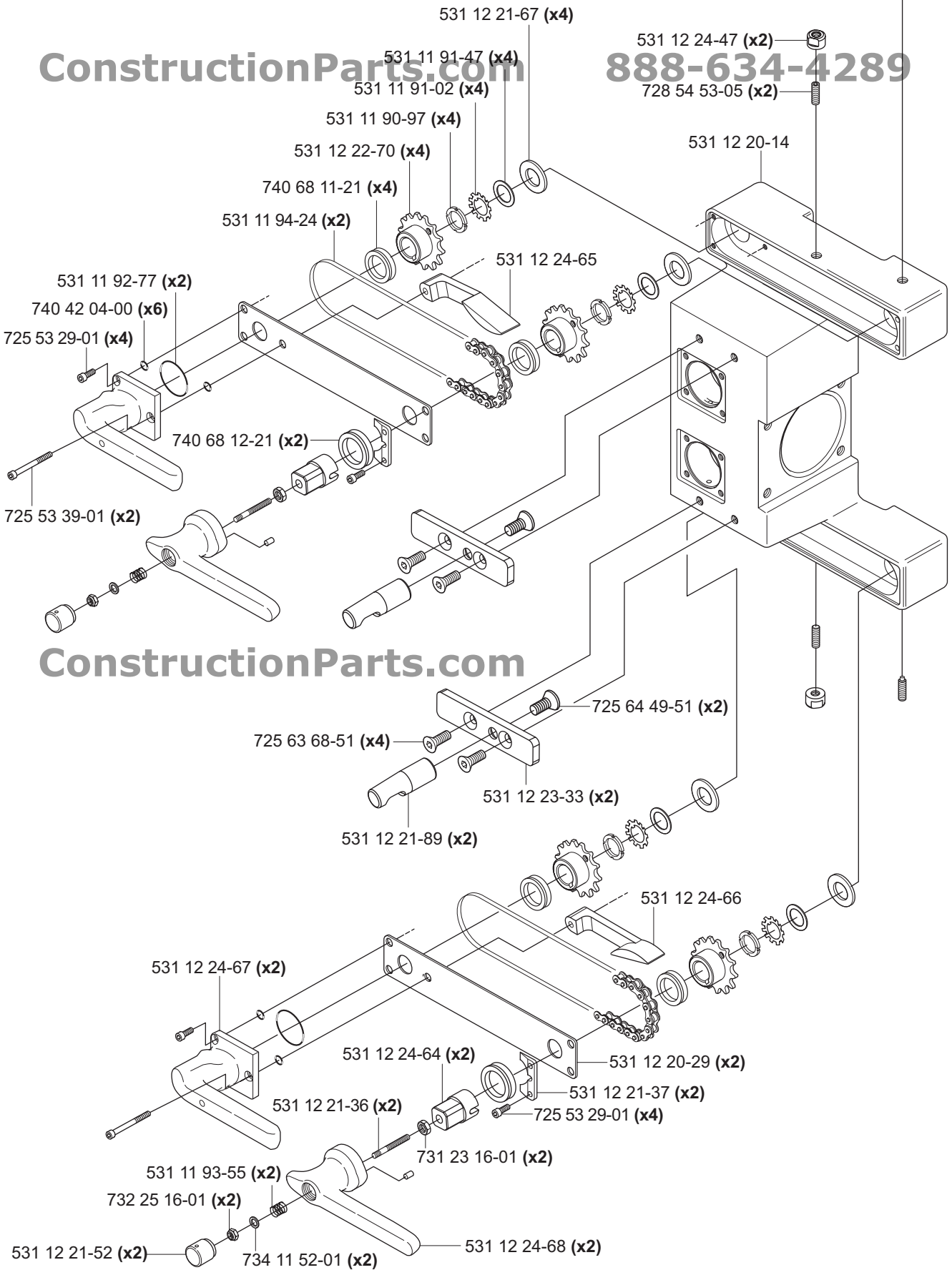
A

DIMAS WS-355. Saw Carriage

728 64 51-05 (x2)

ConstructionParts.com

888-634-4289



ConstructionParts.com

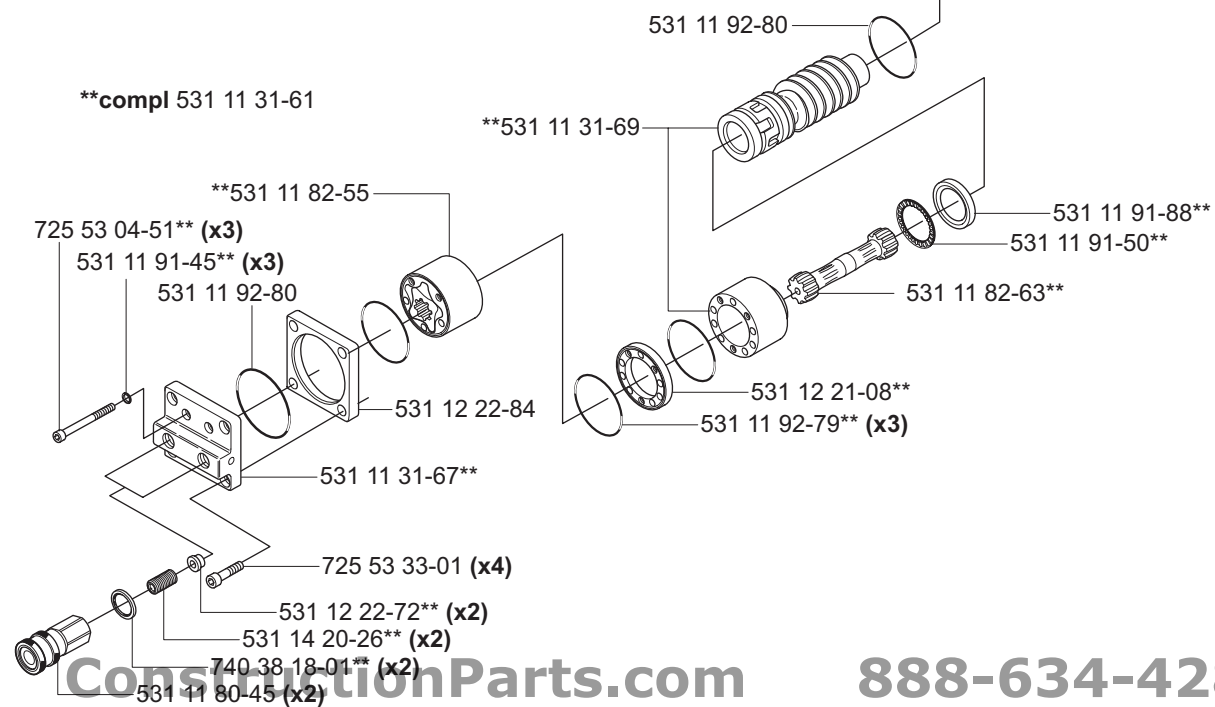
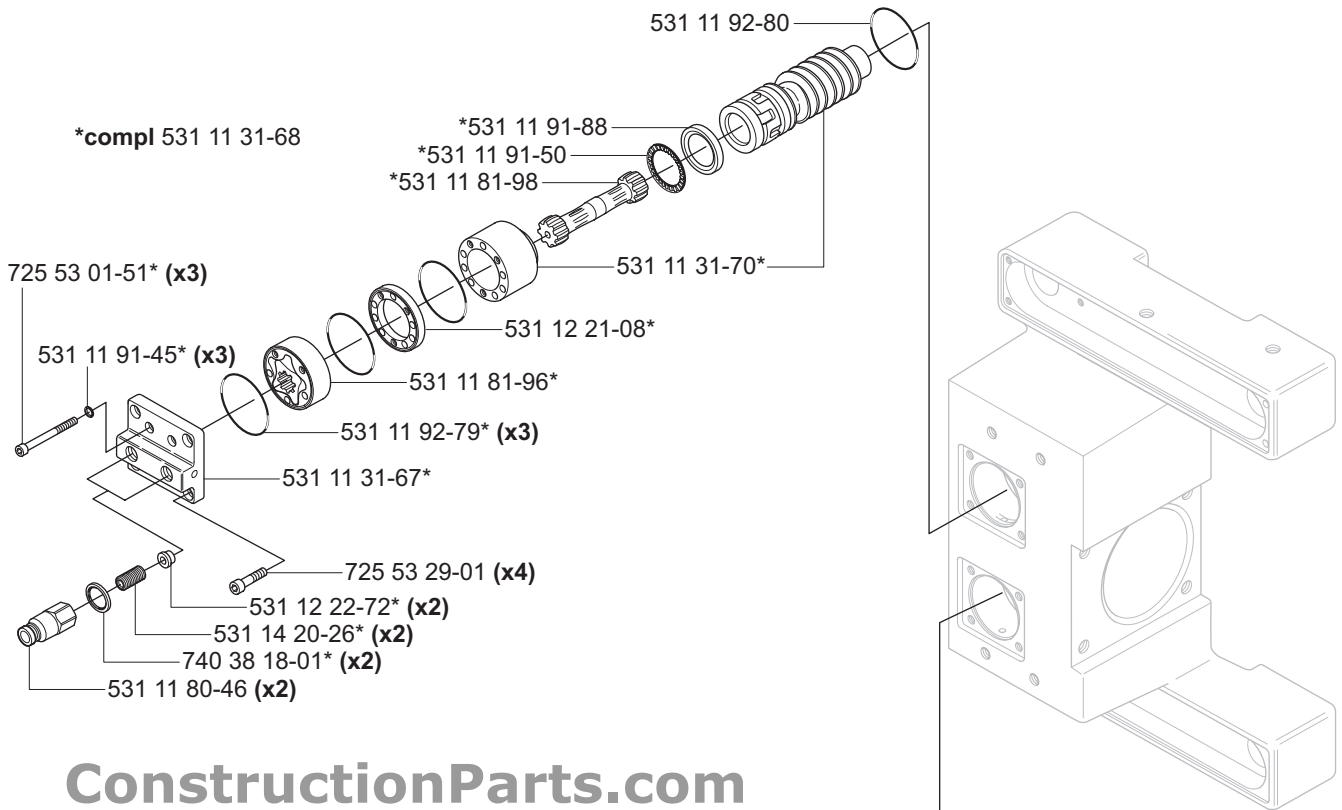
ConstructionParts.com

888-634-4289

B DIMAS WS-355. Saw Carriage

ConstructionParts.com

888-634-4289



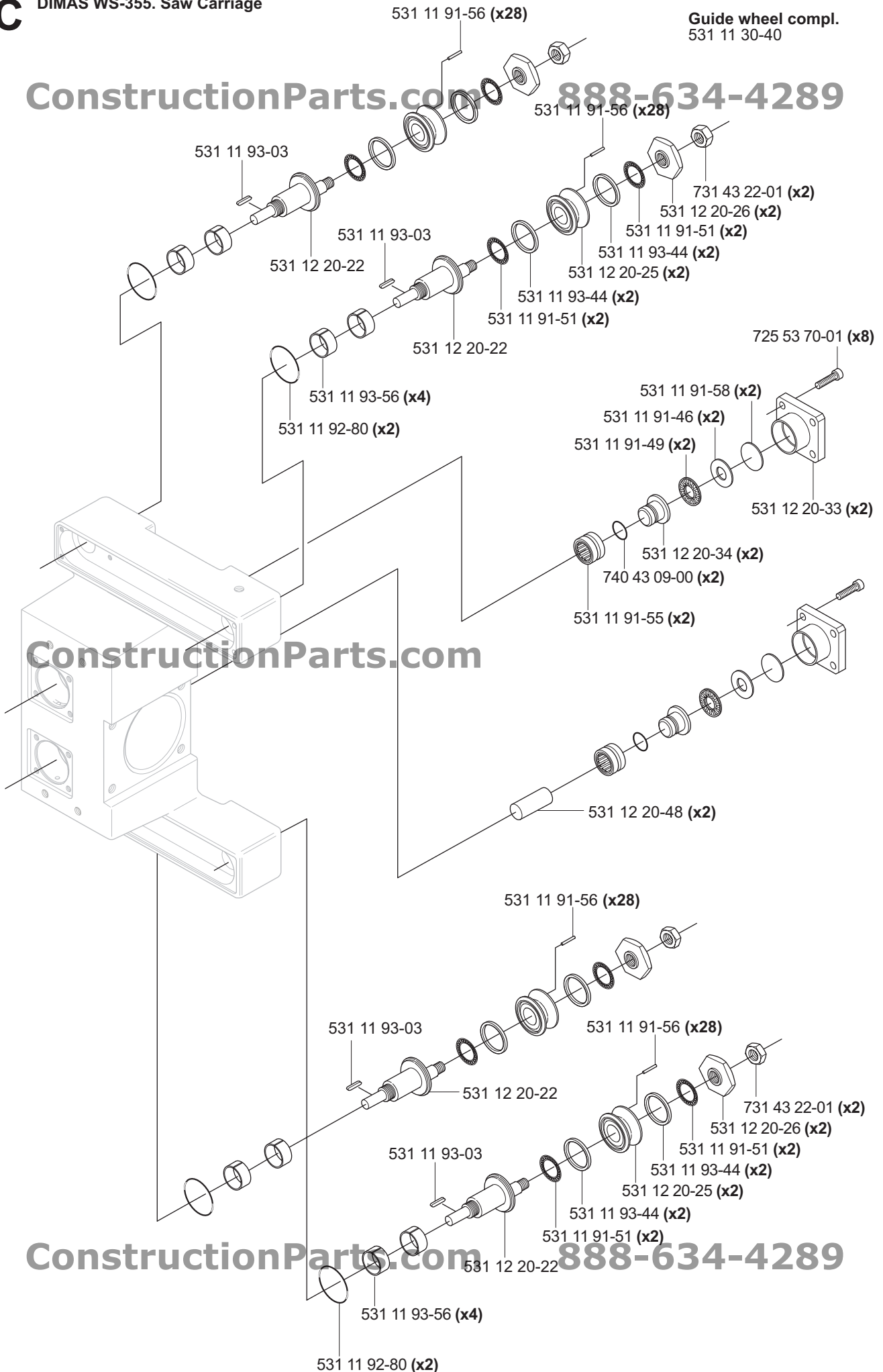
888-634-4289

C

DIMAS WS-355. Saw Carriage

Guide wheel compl.
531 11 30-40

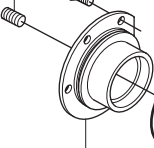
ConstructionParts.com 888-634-4289



D DIMAS WS-355. Saw Carriage

728 84 43-01

725 63 27-51 (x4)



531 11 92-85

531 11 93-77

738 21 04-04

531 12 22-87

531 11 93-07

531 11 94-06

734 11 63-01

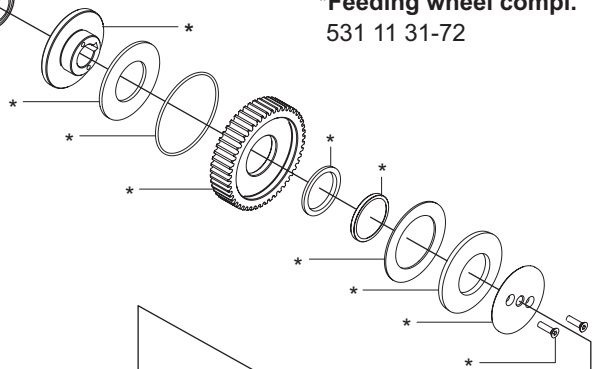


738 21 03-04

531 12 20-37

531 12 23-21

*Feeding wheel compl.
531 11 31-72

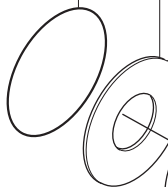


531 11 93-75

531 12 22-80

531 11 93-12 (x2)

531 11 93-76



531 12 22-78

ConstructionParts.com

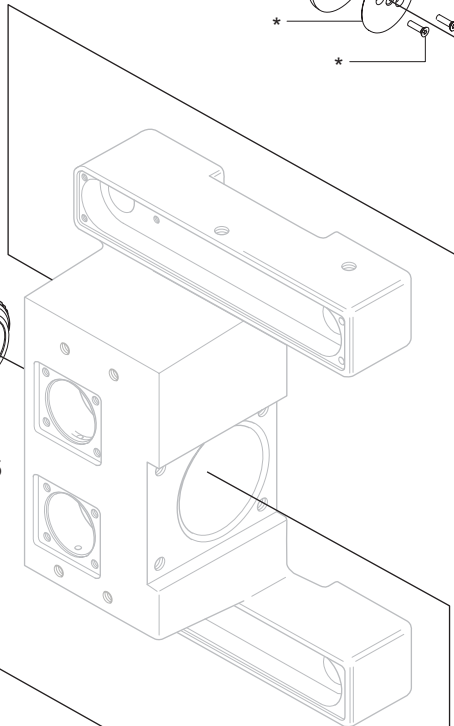
531 11 91-44

531 12 22-79

531 11 93-45

531 11 93-22

531 12 22-85



531 11 93-22

531 12 20-21

728 83 27-05

531 11 91-44

531 12 20-19

ConstructionParts.com

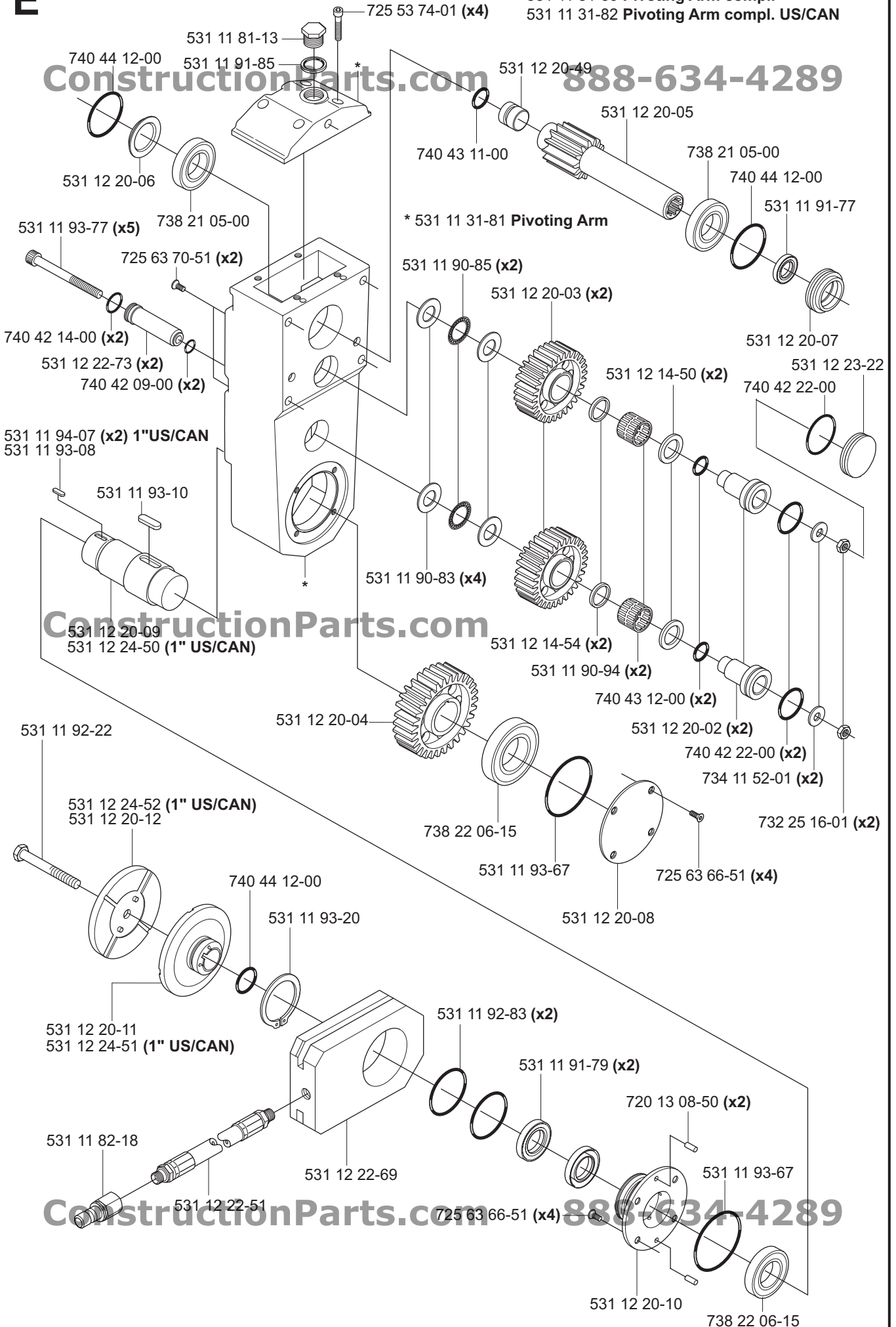
888-634-4289

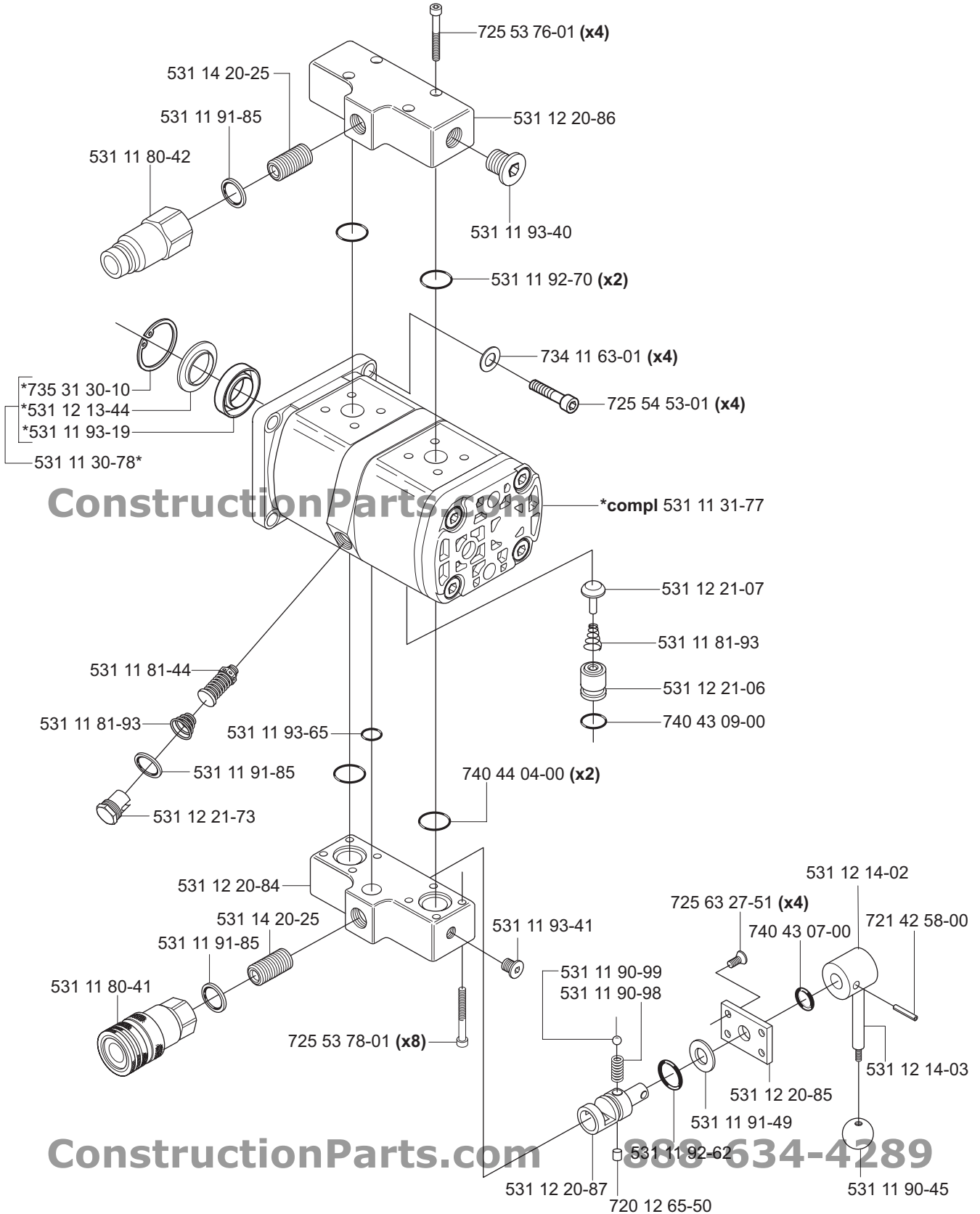
E

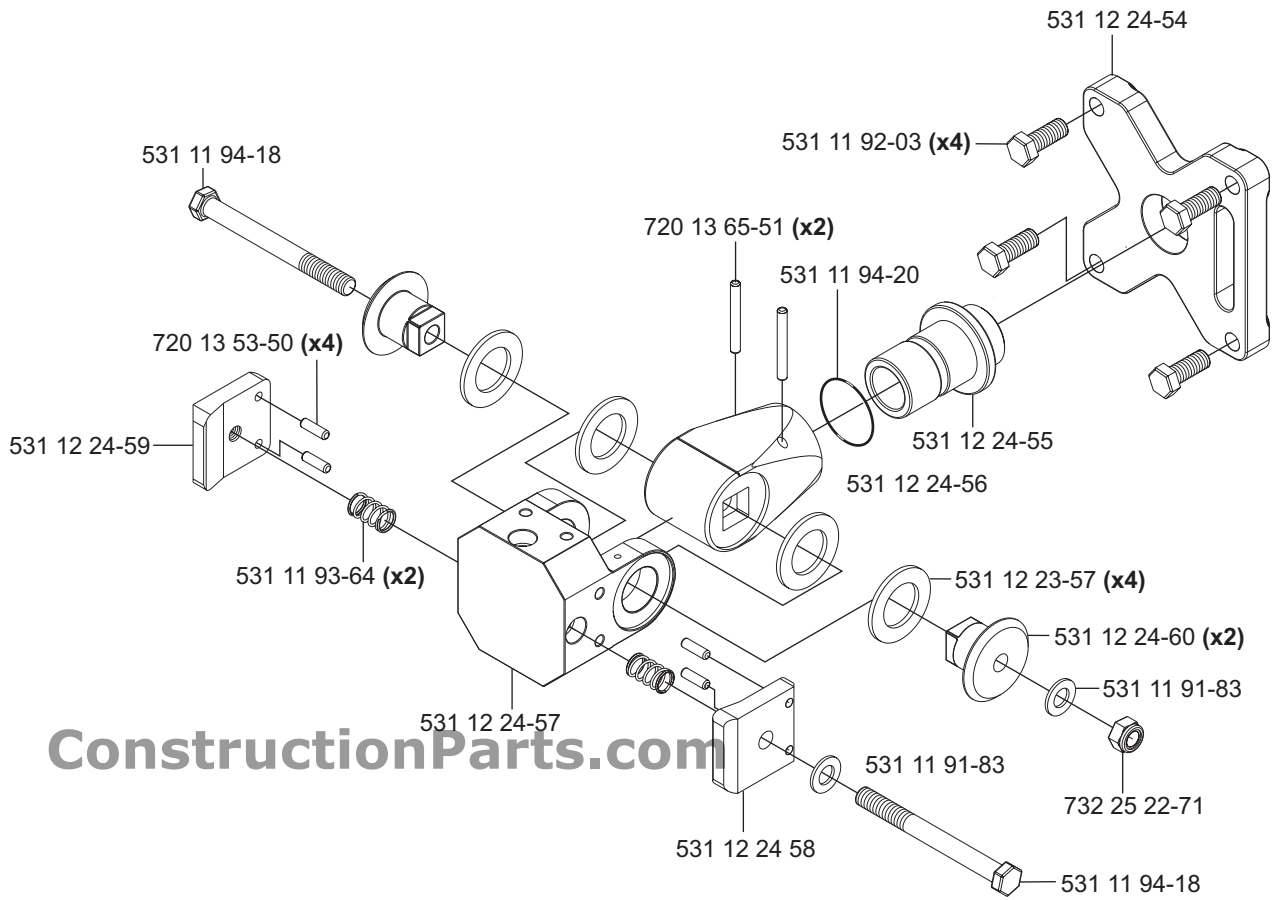
DIMAS WS-355. Pivoting Arm

531 11 31-59 Pivoting Arm compl.
531 11 31-82 Pivoting Arm compl. US/CAN

ConstructionParts.com 888-634-4289

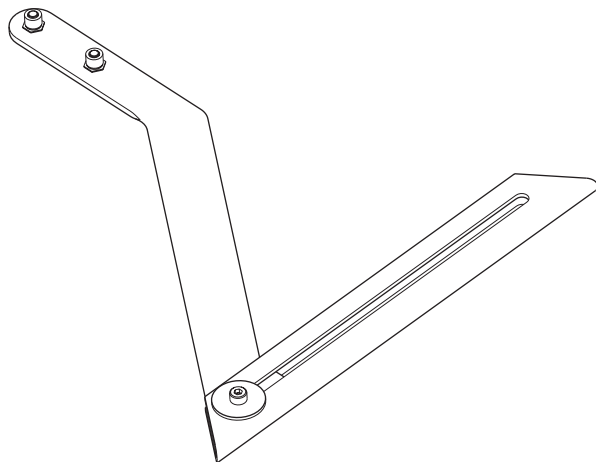






ConstructionParts.com

*Measure rod complete 531 11 32-24

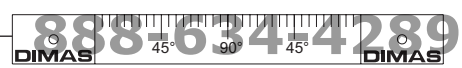


531 11 90-95 (x4)



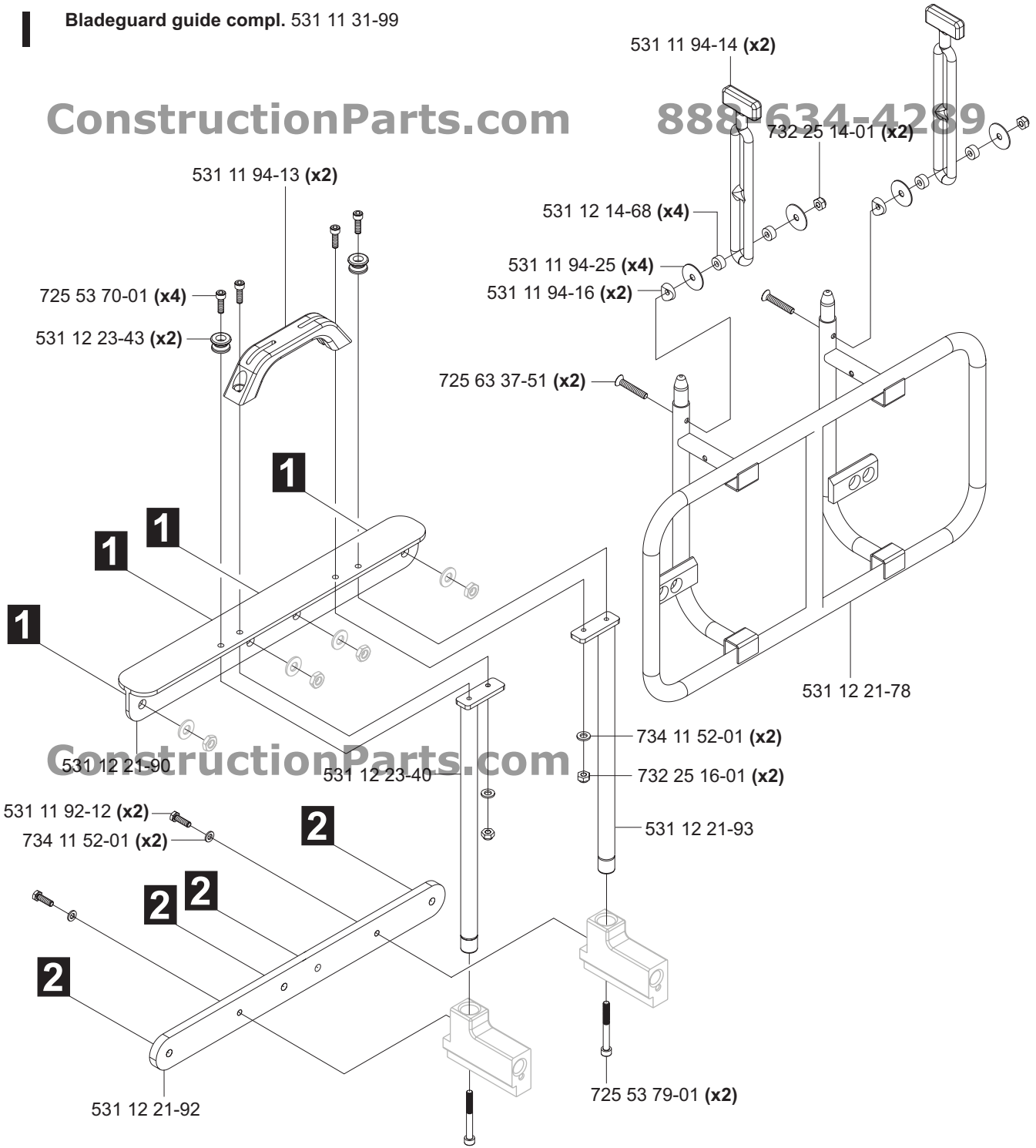
ConstructionParts.com

531 12 23-60 (x2)

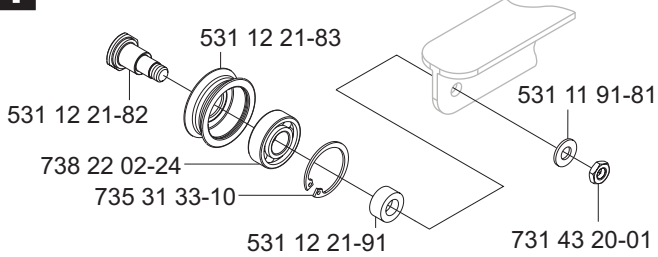


ConstructionParts.com

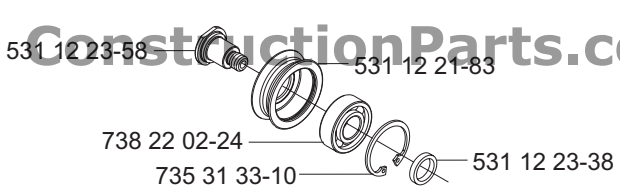
888-634-4289



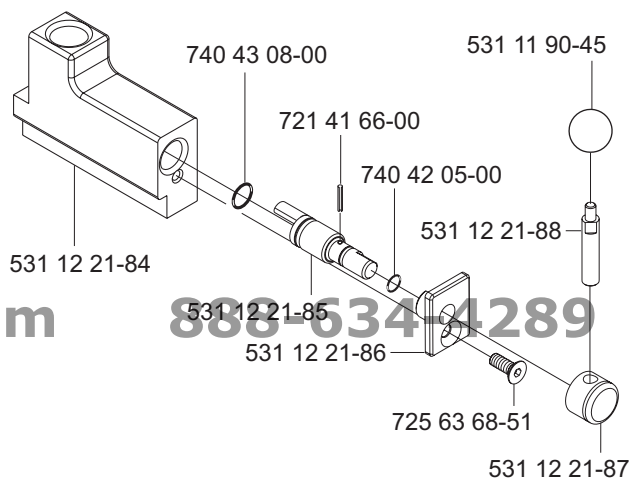
1 Guide wheel upper compl. 531 11 31-97



2 Guide wheel lower compl. 531 11 31-96



House complete 531 11 31-98



ConstructionParts.com

888-634-4289

J

Bladeguard compl.

800mm 531 12 22-15

1000mm 531 12 22-88

1240mm 531 12 23-61

ConstructionParts.com

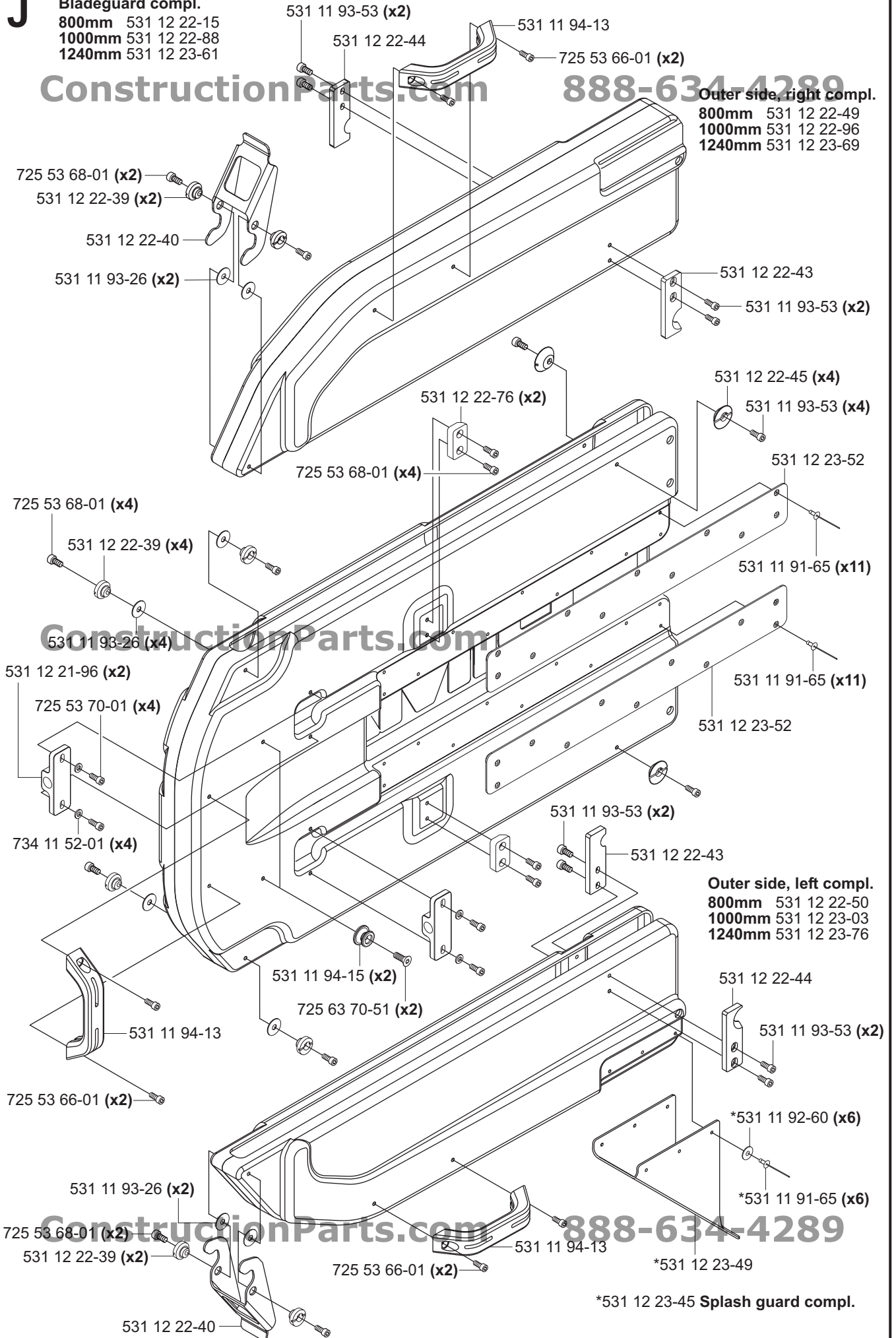
888-634-4289

Outer side, right compl.

800mm 531 12 22-49

1000mm 531 12 22-96

1240mm 531 12 23-69



K

Flush blade guard compl.

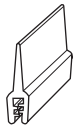
- 800mm 531 12 22-53
- 1000mm 531 12 23-12
- 1240mm 531 12 24-16

ConstructionParts.com

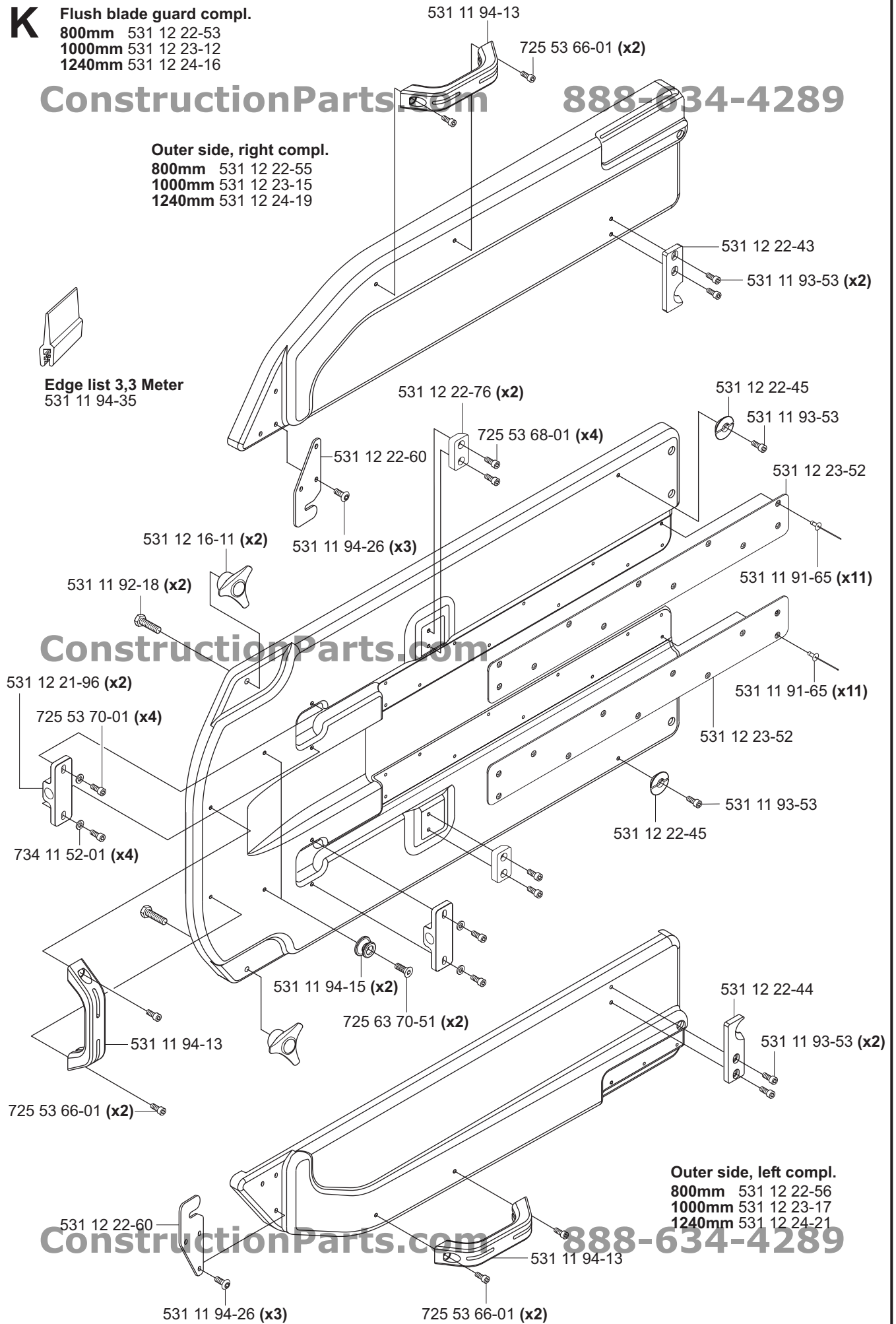
888-634-4289

Outer side, right compl.

- 800mm 531 12 22-55
- 1000mm 531 12 23-15
- 1240mm 531 12 24-19



Edge list 3,3 Meter
531 11 94-35



Outer side, left compl.

- 800mm 531 12 22-56
- 1000mm 531 12 23-17
- 1240mm 531 12 24-21

ConstructionParts.com

888-634-4289

L

ONLY Bladeguard and Flush cut guard 1240mm

ConstructionParts.com

531 12 23-85 (x2)

888-634-4289

531 11 94-32 (x2)

721 42 57-00 (x2)

531 11 94-26 (x8)

3

ConstructionParts.com

531 12 23-88 (x2)

731 43 20-01 (x2)

3

531 12 23-90 (x2)

3 ON Bladeguard 1000mm and 1240mm

531 11 92-49 (x2)

531 11 93-26 (x2)

ConstructionParts.com

888-634-4289

531 12 21-69 (x2)

725 63 68-51 (x2)