

PARTS MANUAL



STREET PRO MODEL SP1G CONCRETE SAW (HONDA GX200UT2QXC9 GASOLINE ENGINE)

Revision #2 (09/13/19)

THIS MANUAL MUST ACCOMPANY THE EQUIPMENT AT ALL TIMES.

PN: 38642

SUGGESTED SPARE PARTS

SP1G CONCRETE SAW

1 to 3 Units

Qty.	P/N	Description
2	38465	BELT, 3VX400
2	35127	SWITCH, KILL

NOTICE

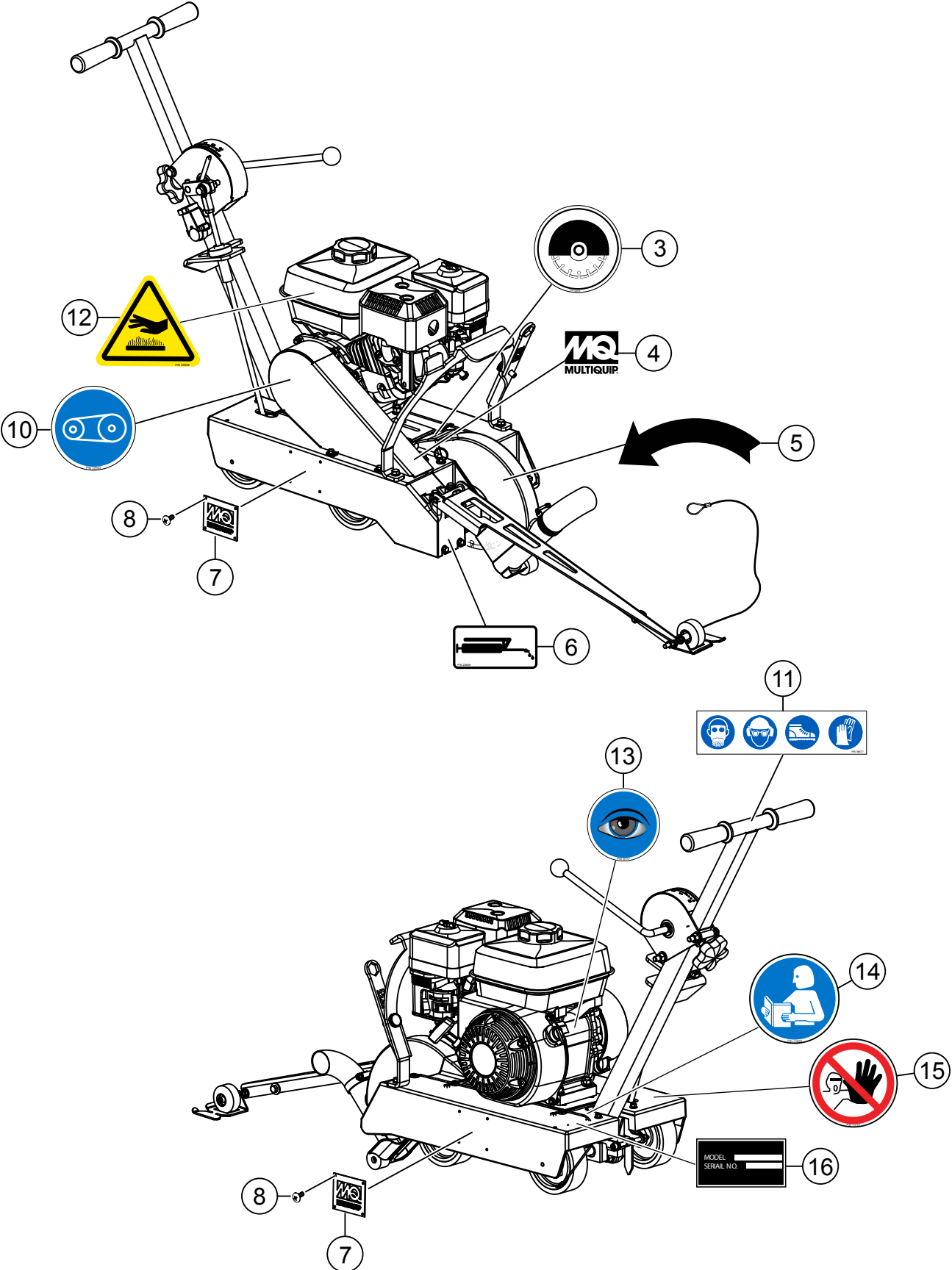
Part numbers on this Suggested Spare Parts list may supersede/replace the part numbers shown in the following parts lists.

HONDA GX200UT2QXC9 GASOLINE ENGINE

1 to 3 units

Qty.	P/N	Description
1	17620Z4H030	CAP FUEL TANK
1	34150ZH7013	SWITCH ASSY., OIL ALERT
2	28462ZH8003	ROPE, RECOIL
3	7210ZE2515	ELEMENT AIR CLEANER
1	17218ZE2505	FILTER, OUTER
3	9807956846	SPARK PLUG, BPR6ES

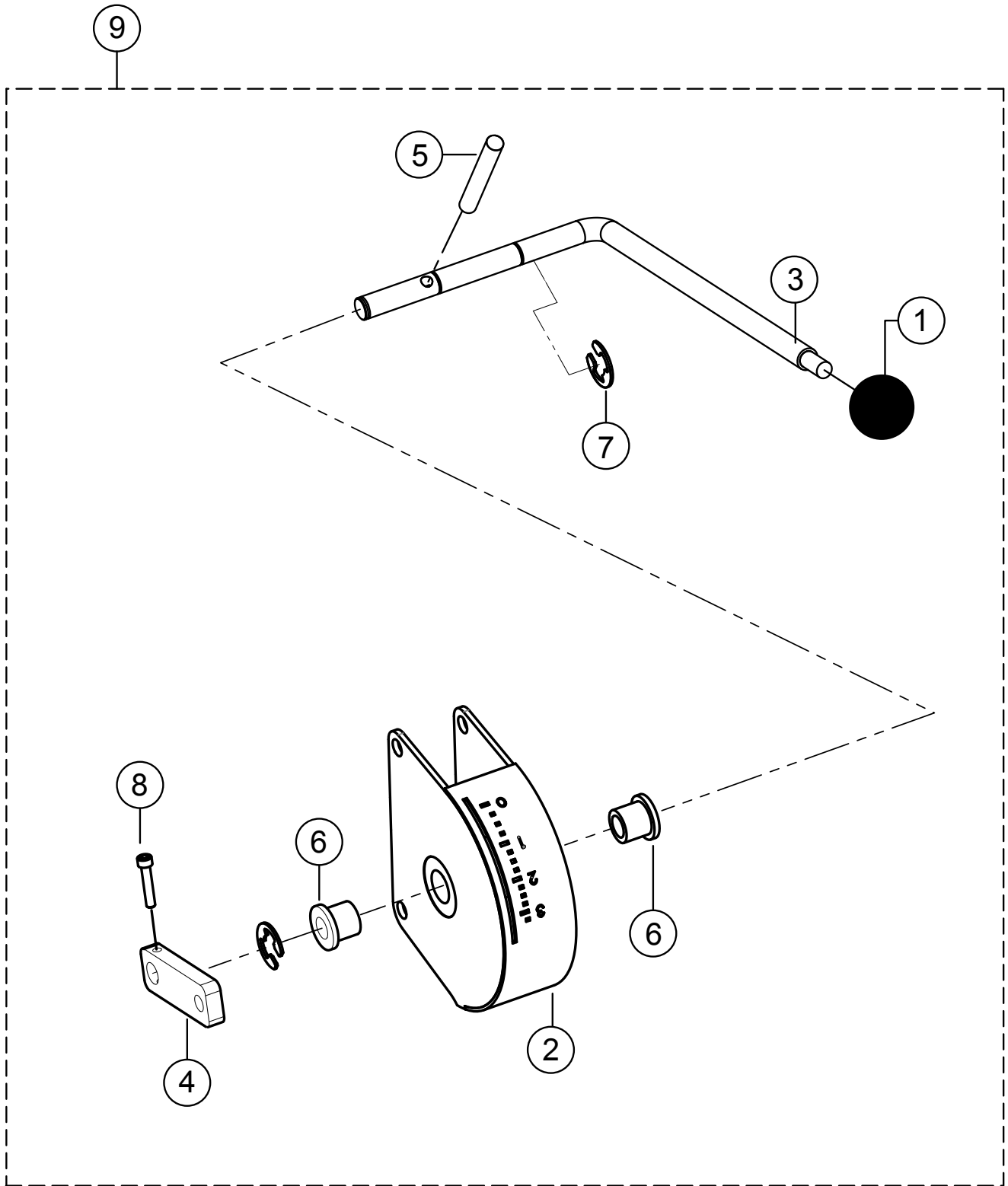
NAMEPLATE AND DECALS ASSY.



NAMEPLATE AND DECALS ASSY.

<u>NO.</u>	<u>PART NO.</u>	<u>PART NAME</u>	<u>QTY.</u>	<u>REMARKS</u>
3	38678	DECAL; GUARDS IN PLACE, 2.00" DIA.	1	
4	25482	DECAL, MQ LOGO (SMALL)	1	
5	25491	DECAL; BLADE ROTATION CW	1	
6	23809	DECAL; LUBRICATION POINT, 2.0" X 1.0"	1	
7	38667	PLATE, MQ LOGO	2	
8	34306	SCREW, PHP, #10-32 X 5/8"	4	
9	25482	DECAL, MQ LOGO (LARGE), 3.0" X 3-3/4"	1	
10	32553	DECAL; ISO: BELT DRIVE, 1.00" DIA.	1	
11	38677	DECAL; ISO: PROTECTION EQUIPMENT REQUIRED	1	
12	23808	DECAL; ISO: HOT SURFACE HAZARD 2.4" X 2.00"	1	
13	30117	DECAL; ISO:EYE, INSPECTION, 1.00" DIA.	1	
14	23699	DECAL; ISO: READ MANUAL, 2.00" DIA.	1	
15	23701	DECAL; ISO: ASK FOR TRAINING, 2.00" DIA.	1	
16		SERIAL NUMBER PLATE	1 CONTACT MQ PARTS DEPT.

LOWERING ASSY.



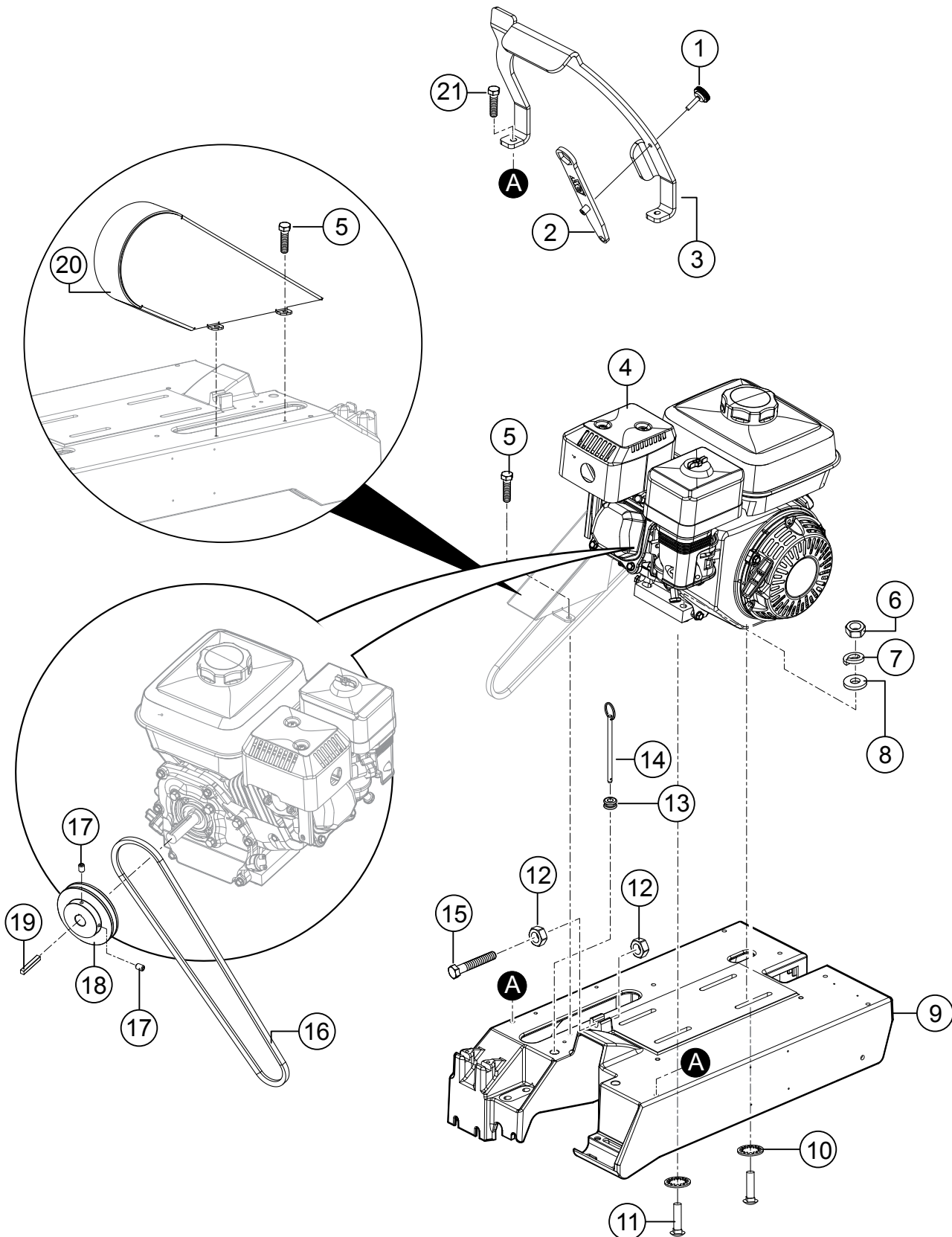
LOWERING ASSY.

<u>NO.</u>	<u>PART NO.</u>	<u>PART NAME</u>	<u>QTY.</u>	<u>REMARKS</u>
1%	4403	SHIFT KNOB, 1-3/8" DIA 3/8-16	1	
2%	38438	DEPTH INDICATOR	1	
3%	38500	SHAFT, FLAT END LOWERING LEVER	1	
4%	38512	LINK, OVER CENTER SYSTEM DRIVING	1	
5%	38607	ROD, LOWERING INDICATOR	1	
6%	38621	BUSHING, .5ID X .75D X .75L	2	
7%	38627	RING, EXTERNAL RETAINING	3	
8%	46129	SLEEVE, LOWERING PIVOT	1	
9	38502	LOWERING ASSY., OVER CENTER.....	1.....	INCLUDES ITEMS W/%

REAR MAIN ASSY.

<u>NO.</u>	<u>PART NO.</u>	<u>PART NAME</u>	<u>QTY.</u>	<u>REMARKS</u>
1	2064	ROD END, 3/8-24 FEMAL RH	2	
2	2199	NUT, HEX JAM 3/8-24	2	
3	8156	SCREW, HHC 3/8-16 X 2-1/2	2	
4	10024	NUT, NYLOC 1/4-20	4	
5	10133	NUT, NYLOC 3/8-16	4	
6	25407	WHEEL, 5 X .625 X 1.5 BALL BEARING	4	
7	25448	DEPTH ADJUSTMENT DISC	1	
8	38385	HANDLE, LOWER	1	
9	38421	FRONT AXLE	1	
11	38516	SHAFT, MAIN AXLE	1	
13	38600	PLATE, VIBRATION ISOLATION STIFFENER	2	
14	38608	BASE, LEFT VIBRATION MOUNT	1	
15	38609	BASE, RIGHT VIBRATION MOUNT	1	
16	38610	CLIP, FRONT AXLE VIBRATION MOUNT	2	
17	38636	SCREW, HHC 1/4-20 X 3.5 GRD 5	4	
18	933240	WASHER, FLAT SAE 1/4 GRD 9	8	
19	933242	WASHER, FLAT SAE 3/8 GRD 9	10	
20	38639	DEPTH STOP LINKAGE	1	
21	1284	SCREW, HHC 3/8-16 X 1-1/2	1	
22	1665	SCREW, HHC 3/8-16 X 2	1	
23	38694	MOUNT ASSY., MAIN AXLE	1	
24	38527	INSERT, 1/4-20 KNURLED BRASS SLOTTED	3	
25	38525	MOUNT, AXLE MAIN	2	
26	38518	RETAINING RING, 5/8" SHAFT SIDE MOUNT	8	
27	0243	SCREW, SHC 5/16-18 X 1-3/4"	8	
28	35127	SWITCH, KILL	1	
29	38692	HARNES, KILL SWITCH	1	

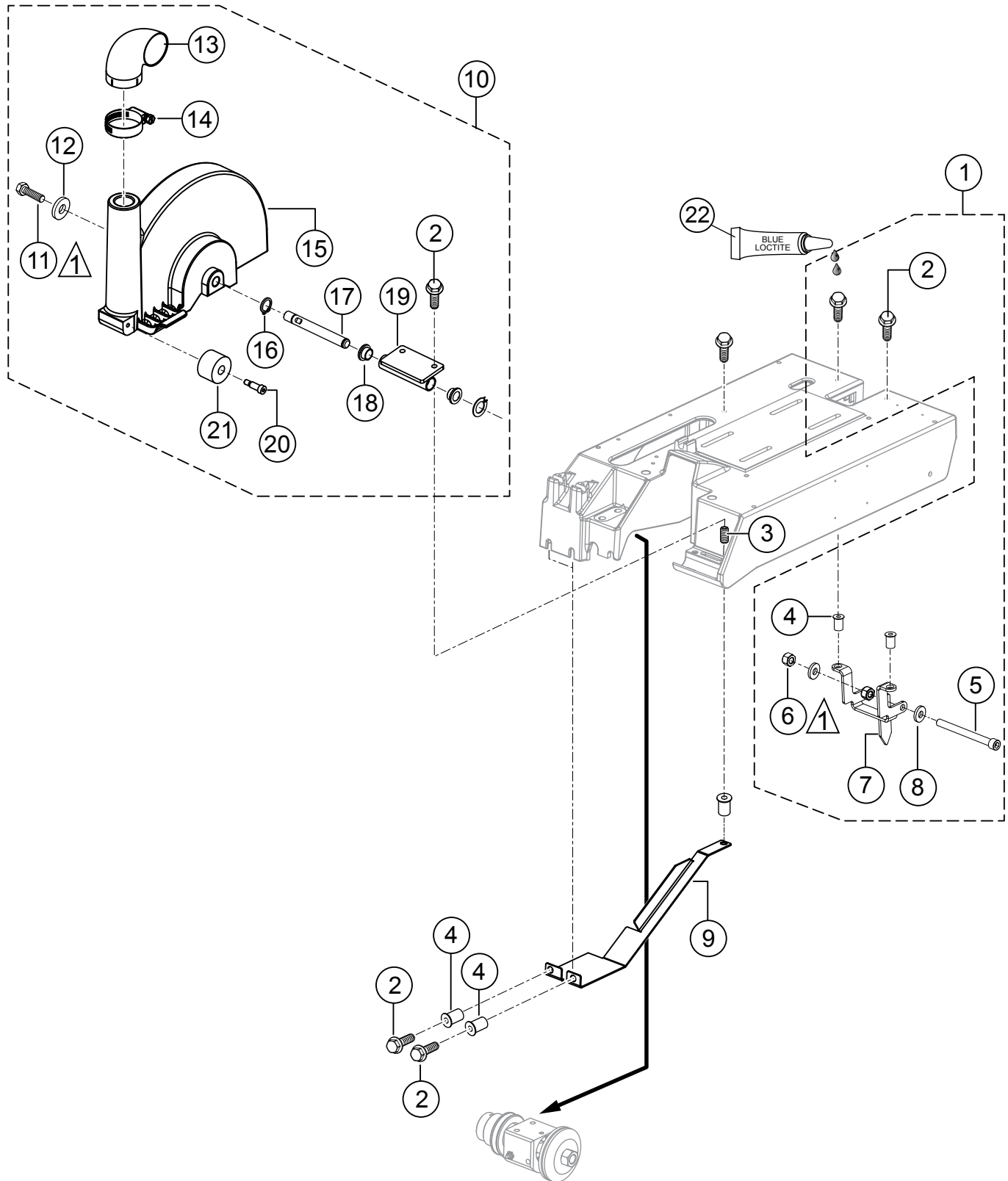
ENGINE MOUNT ASSY.



ENGINE MOUNT ASSY.

<u>NO.</u>	<u>PART NO.</u>	<u>PART NAME</u>	<u>QTY.</u>	<u>REMARKS</u>
1	21468	KNOB, PLASTIC 1/4-20 X 1 STUD	1	
2	38690	WRENCH ASM, SP1G COMBO	1	
3	38682	HANDLE, SP1G FRONT LIFT	1	
4	35542	ENGINE, HONDA GX200UT2QXC9 (5.5 HP)	1	
5	34364	SCREW, HHFS 1/4-20 X 1/2, GR5	3	
6	5283	NUT, NYLOC 5/16-18"	4	
7	0161 C	WASHER, LOCK 5/16" MED	4	
8	0300 B	WASHER, FLAT SAE 5/16	4	
9	38651	FRAME	1	
10	21986	WASHER,FAST LEAD-STAINLESS	4	
11	25410	BOLT, CARRIAGE 5/16-18 X 1.75	4	
12	10133	NUT, NYLOC 3/8-16"	2	
13	38664	GROMMET, 1/2ID X 11/16 THICK 1/4" PANEL	1	
14	38660	PIN, QUICK RELEASE 1/4 DIA X 3"	1	
15	38670	SCREW, HHC 3/8-16 X 4 FULL THREAD	1	
16	38465	BELT, 3VX400	1	
17	925381	SCREW, SET 1/4-20 X 3/8"	2	
18	35445	PULLEY, ENGINE DRIVE, 1F3V412 X 3/4" 2SS	2	
19	0627	KEY, 3/16 X 1-1/4"	1	
20	38414	BELT GUARD	1	
21	36720	SCREW, HHFS 5/16-18 x 3/4GR5	2	

BLADE GUARD ASSY.



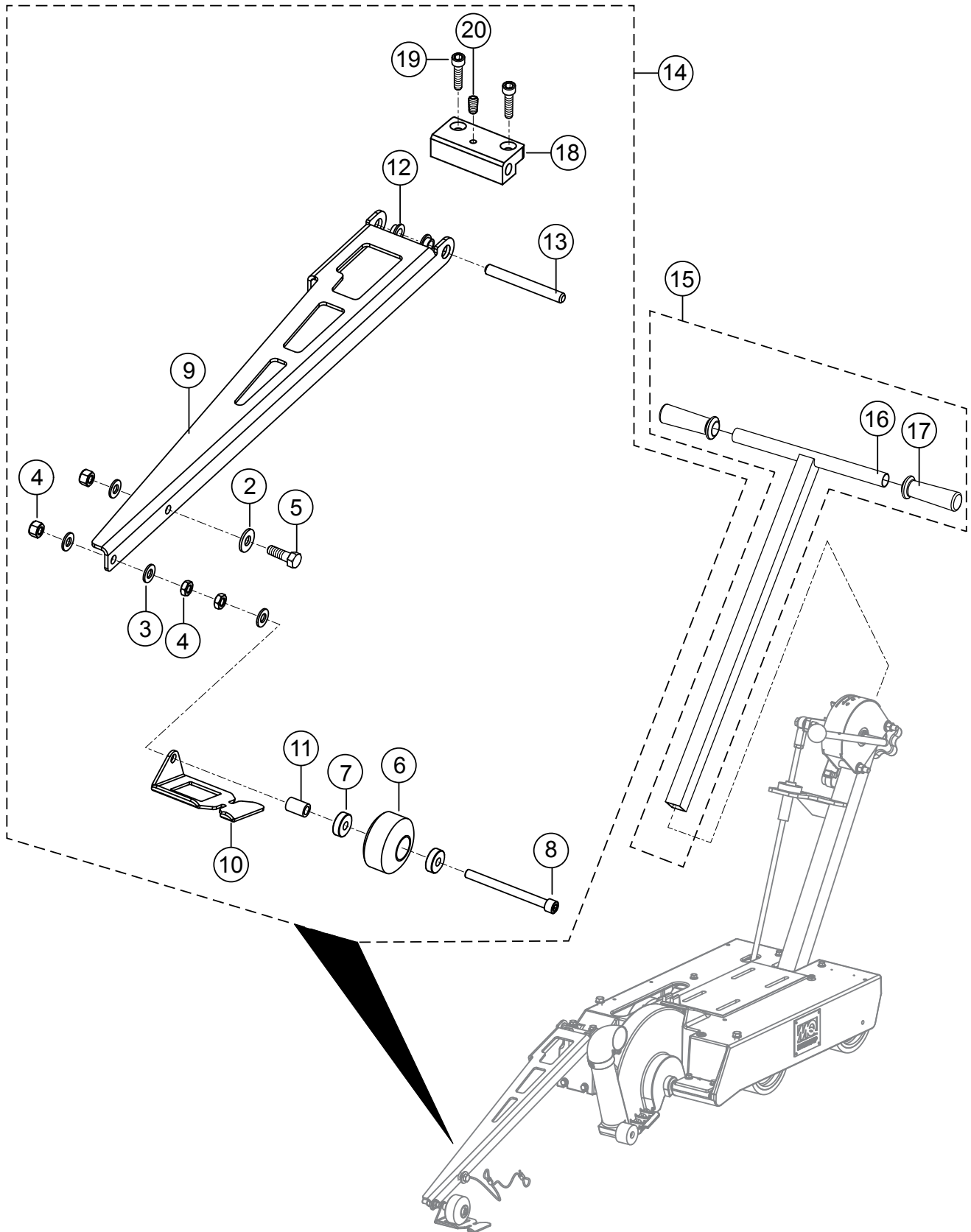
NOTES:

1 APPLY BLUE LOCTITE 246 TO ALL SCREWS

BLADE GUARD ASSY.

<u>NO.</u>	<u>PART NO.</u>	<u>PART NAME</u>	<u>QTY.</u>	<u>REMARKS</u>
1	38686	REAR POINTER ASSY	1.....	INCLUDES ITEMS W/@
2@#	49048	SCREW, HHFS 1/4-20 X 3/4, GR5	6	
3	38687	INSERT, 1/4-20 X .750 HELICOIL	1	
4@	19266	NUT, BLIND 1/4-20 X .027-.165	4	
5@	35476	SCREW, SHC 5/16-18 X 3.5 FULL THREAD	1	
6@	5283	NUT, NYLOC 5/16-18	3	
7@	38683	MOUNT, SP1G REAR POINTER	1	
8@	0300 B	WASHER, FLAT SAE 5/16	2	
9	38666	GUARD, SP1G LOWER BELT	1	
10	38659	BLADE GUARD ASSY	1.....	INCLUDES ITEMS W/#
11#	0655	SCREW, HHC 5/16-18 X 3/4	1	
12#	38654	WASHER, 5/16 X 1" OD BELLEVILLE	1	
13#	38689	ELBOW, SP1G DUST PORT	1	
14#	962015	CLAMP, HOSE WORM #28	1	
15#	38652	BLADE GUARD, SP1G V-PROCESS	1	
16#	38671	RING, BOWED EXTERNAL .500	1	
17#	38653	PIVOT, BLADE GUARD MAIN	1	
18#	30173	BUSHING, FLG., BRONZE, ID.51xOD.625	2	
19#	38658	PIVOT W/A, BLADE GUARD	1	
20#	38655	SCREW, SHSLDR .313 DIA.x.625L 1/4-20 SS	1	
21#	38434	WHEEL, 1.5 OD X .50 ID X 1.0 WIDTH	1	
22	60097	LOCTITE, 242	1	

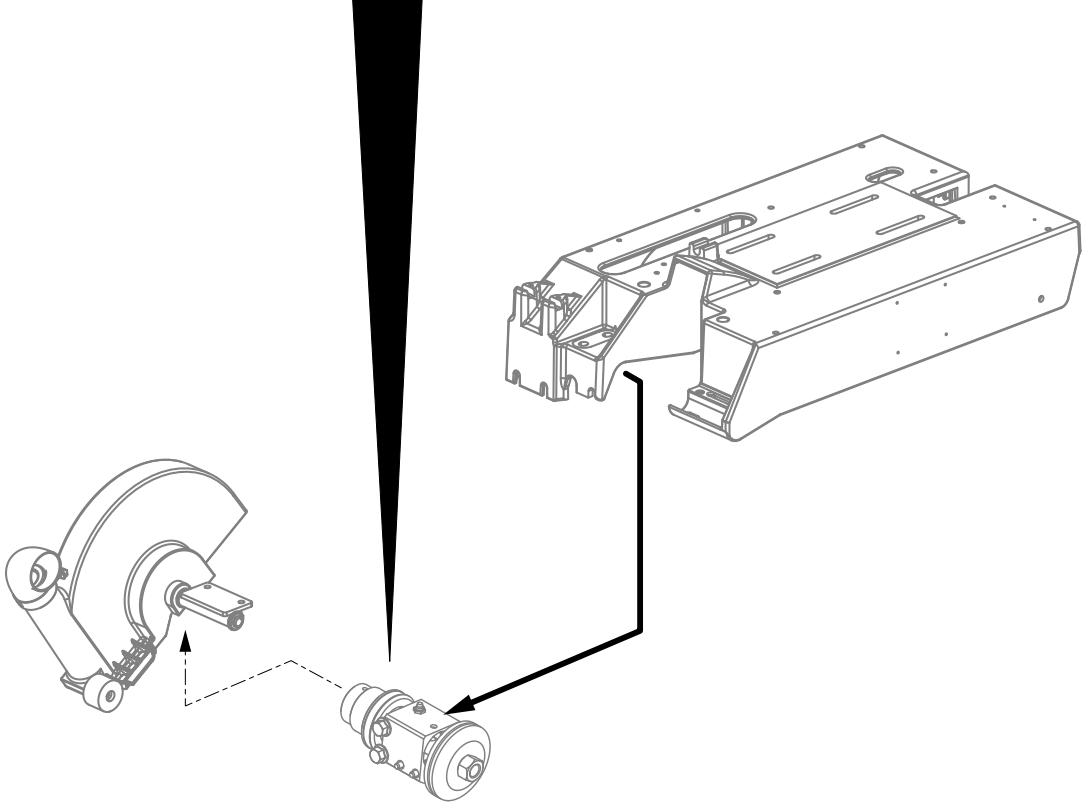
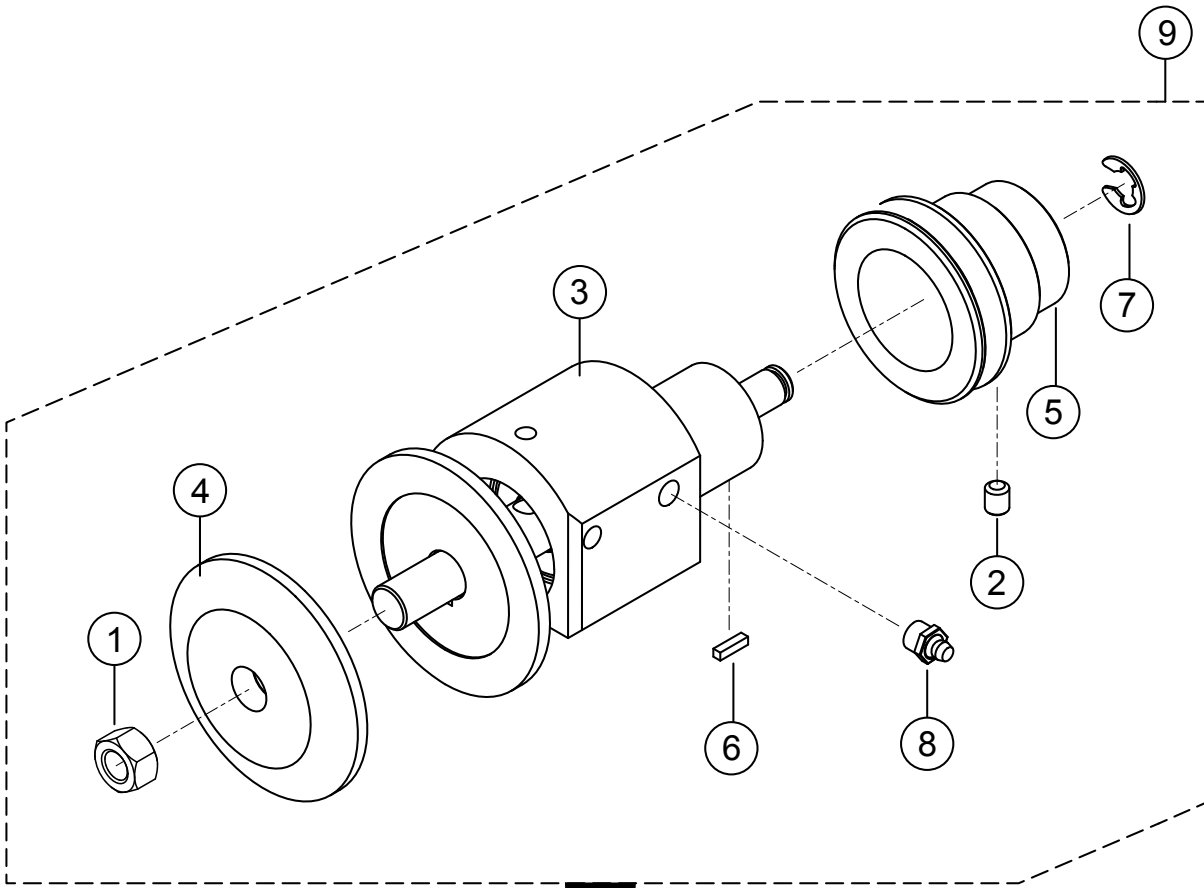
POINTER AND HANDLE BAR ASSY.



POINTER AND HANDLE BAR ASSY.

<u>NO.</u>	<u>PART NO.</u>	<u>PART NAME</u>	<u>QTY.</u>	<u>REMARKS</u>
2@	202	SCREW, HHC 5/16-18 X 1 ZINC	1	
3@	0300 B	WASHER, FLAT SAE 5/16	4	
4@	5283	NUT, NYLOC 5/16-18	4	
5@	19470	WASHER, FLAT 5/16 USS	1	
6@	21189	WHEEL, 2.13 OD X 1.25 W	1	
7@	21369	BEARING, SEALED 5/16 ID X 7/8 OD	2	
8@	35476	SCREW, SHC 5/16-18 X 3.5 FULL THREAD	1	
9@	38398	PLATE, POINTER	1	
10@	38401	PLATE, DUAL SLOT RAISED EDGE POINTER	1	
11@	38463	BUSHING, 5/16ID X .50 OD X .75 L	1	
12@	38620	BUSHING, .375ID X .50D X .25L SAE 863	2	
13@	38665	PIN, POINTER PIVOT	1	
14	38402	POINTER ASSY	1	INCLUDES ITEMS W/@
15	25419	HANDLEBAR ASSY	1	INCLUDES ITEMS W/#
16#	25374	HANDLE, UPPER	1	
17#	15081	GRIP, 1" ID X 4.5"L BLACK	2	
18	38695	BASE, POINTER MOUNT	1	
19	3164	SCREW, FHSC 1/4-20 X 1	2	
20	0130 A	SCREW, SHSCP 5/16-24 X 1/4	1	

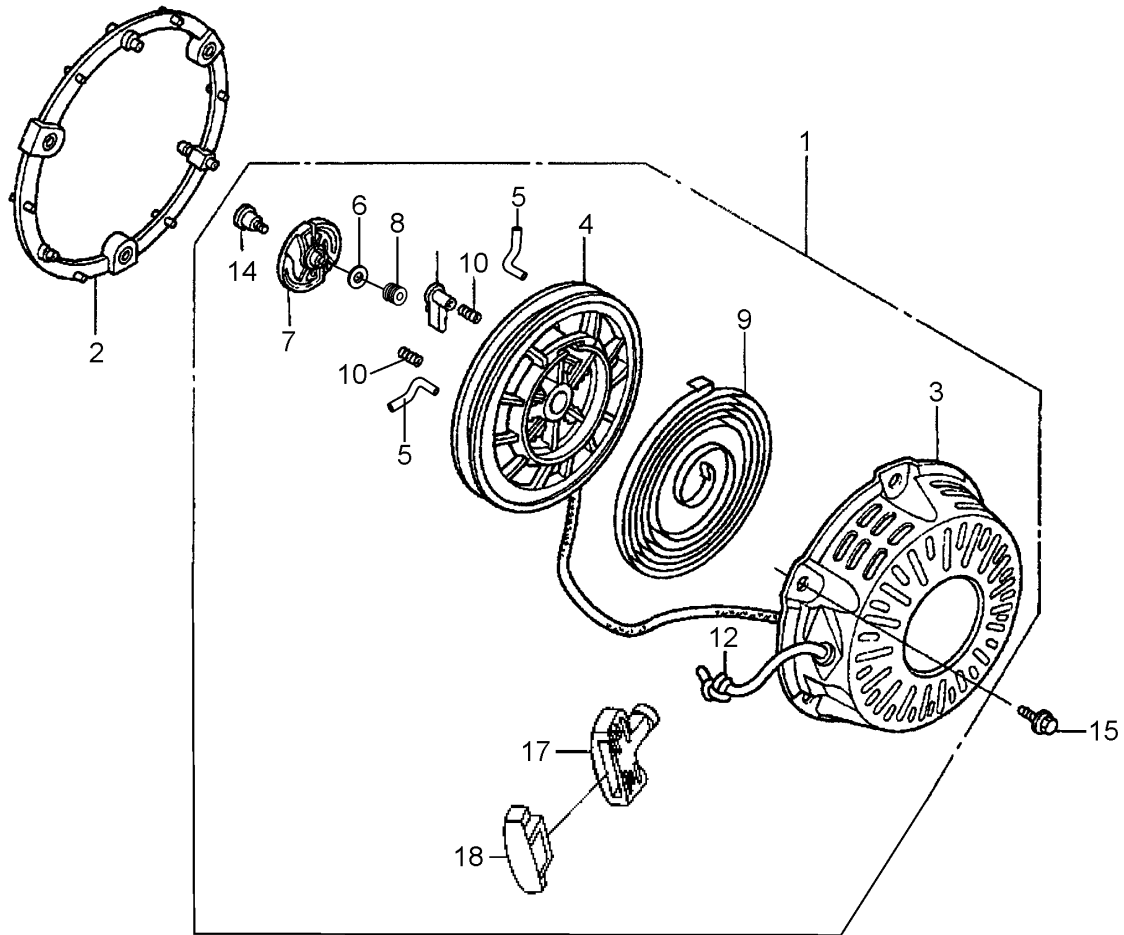
BEARING/BLADE SHAFT ASSY.



BEARING/BLADE SHAFT ASSY.

<u>NO.</u>	<u>PART NO.</u>	<u>PART NAME</u>	<u>QTY.</u>	<u>REMARKS</u>
1#	19710	NUT, HEX FIN 5/8-11 L.H. THD	1	
2#	25490	SCREW, SHS 5/16-18 X 3/8	1	
3#	38409	BLADE SHAFT/FLANGE ASSY.	1	
4#	38458	FLANGE, BLADE OUTSIDE	1	
5#	38611	SHEAVE, 2.66 X 3V DEEP BORE	1	
6#	38622	KEY, 1/8 SQ X 1/2"	1	
7#	38623	SNAP RING BOWED	1	
8#	960102	FITTING, GREASE ZERK STR 1/8 MP	1	
9	38410	BEARING/SHAFT ASSY.....	1.....	INCLUDES ITEMS W/#

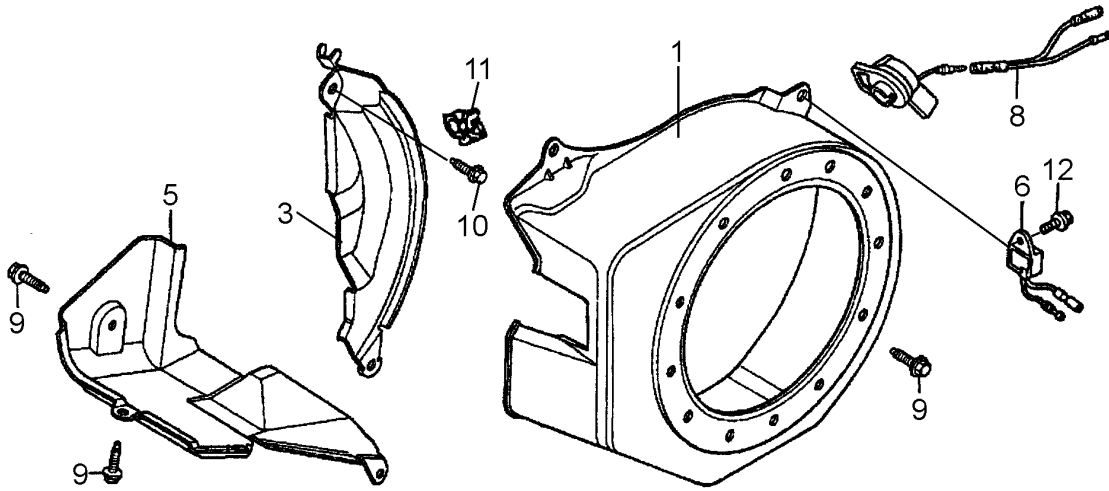
HONDA GX200UT2QXC9 — RECOIL STARTER ASSY.



HONDA GX200UT2QXC9 — RECOIL STARTER ASSY.

<u>NO.</u>	<u>PART NO.</u>	<u>PART NAME</u>	<u>QTY.</u>	<u>REMARKS</u>
1	28400Z4M305ZD	STARTER ASSY., RECOIL *NH1*	1.....	INCLUDES ITEMS W/#
2	28405ZL0000ZA	SPACER, RECOIL STARTER MOUNTING	1	
3#	28410Z4M003ZD	CASE COMP., RECOIL STARTER, NH1	1	
4#	28421Z0T003	PULLEY, RECOIL STARTER	1	
5#	28422ZH8801	RATCHET, STARTER	2	
6#	28431ZH8801	PLATE, FRICTION	1	
7#	28433ZH8801	GUIDE, RATCHET	1	
8#	28441ZH8801	SPRING, FRICTION	1	
9#	28442ZH8003	SPRING, RECOIL STARTER	1	
10#	28443ZH8801	SPRING, RETURN	2	
12#	28462ZH8003	ROPE, RECOIL STARTER	1	
14#	90003ZH8801	SCREW, SETTING	1	
15	957010601800	BOLT, FLANGE, 6X18	3	
17#	28461Z4M305	KNOB, RECOIL STARTER	1	
18#	28463Z4M003	KNOB, REINFORCEMENT	1	

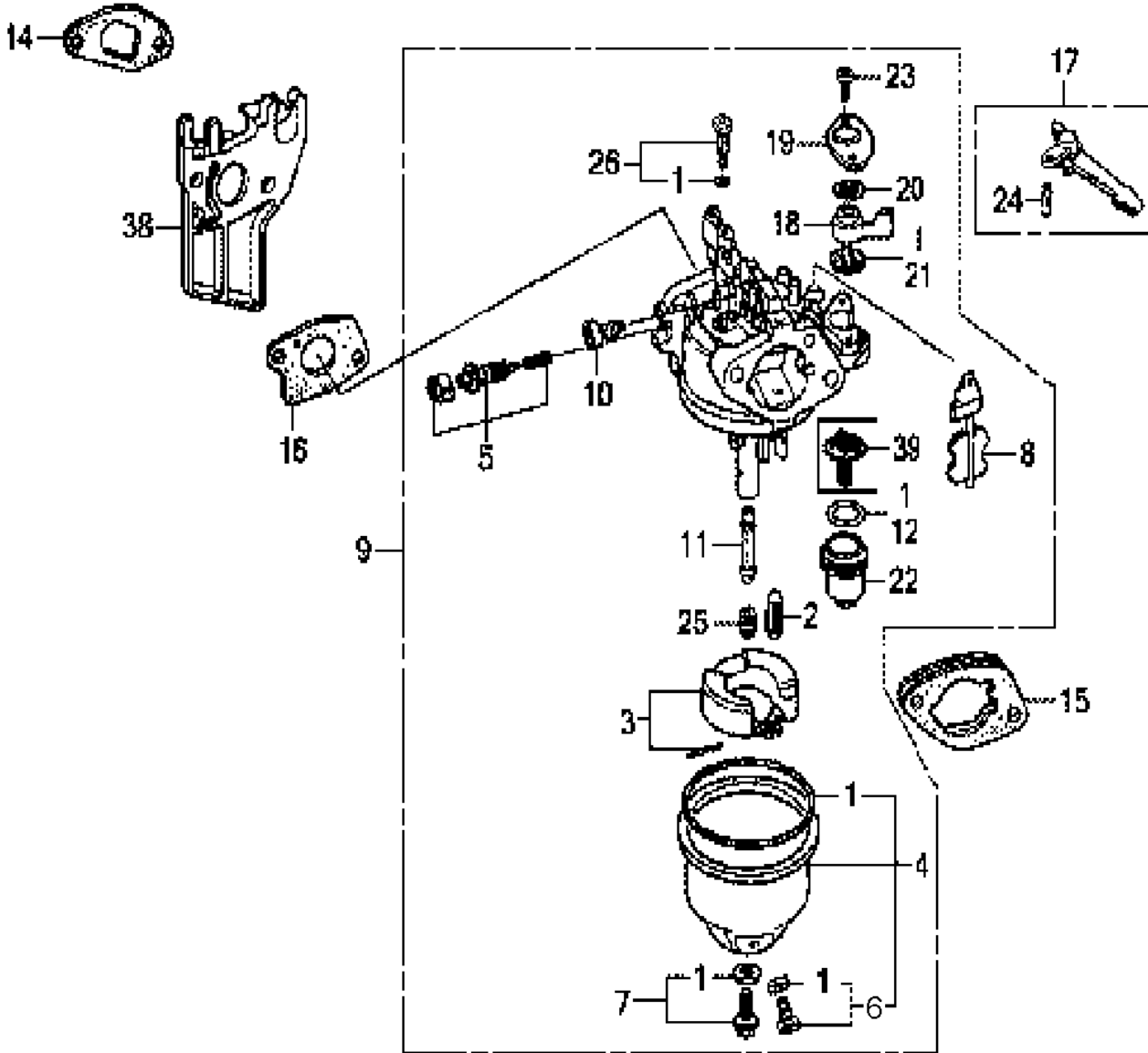
HONDA GX200UT2QXC9 — FAN COVER ASSY.



HONDA GX200UT2QXC9 — FAN COVER ASSY.

<u>NO.</u>	<u>PART NO.</u>	<u>PART NAME</u>	<u>QTY.</u>	<u>REMARKS</u>
1	19610Z4M000ZB	COVER COMP., FAN, NH1, BLACK	1	
3	19611Z4M810	PLATE COMP., SIDE (OIL ALERT)	1	
5	19630ZH8000	SHROUD COMP.	1	
6	34150ZH7013	ALERT UNIT, OIL	1	
8	35120Z0T851	SWITCH ASSY., ENGINE STOP	1	
9	90013883000	BOLT, FLANGE, 6X12	6	
10	90022888010	BOLT, FLANGE, 6X20	1	
11	90601ZH7013	CLIP, TUBE	1	
12	957010600800	BOLT, FLANGE, 6X8	1	

HONDA GX200UT2QXC9 — CARBURETOR ASSY.



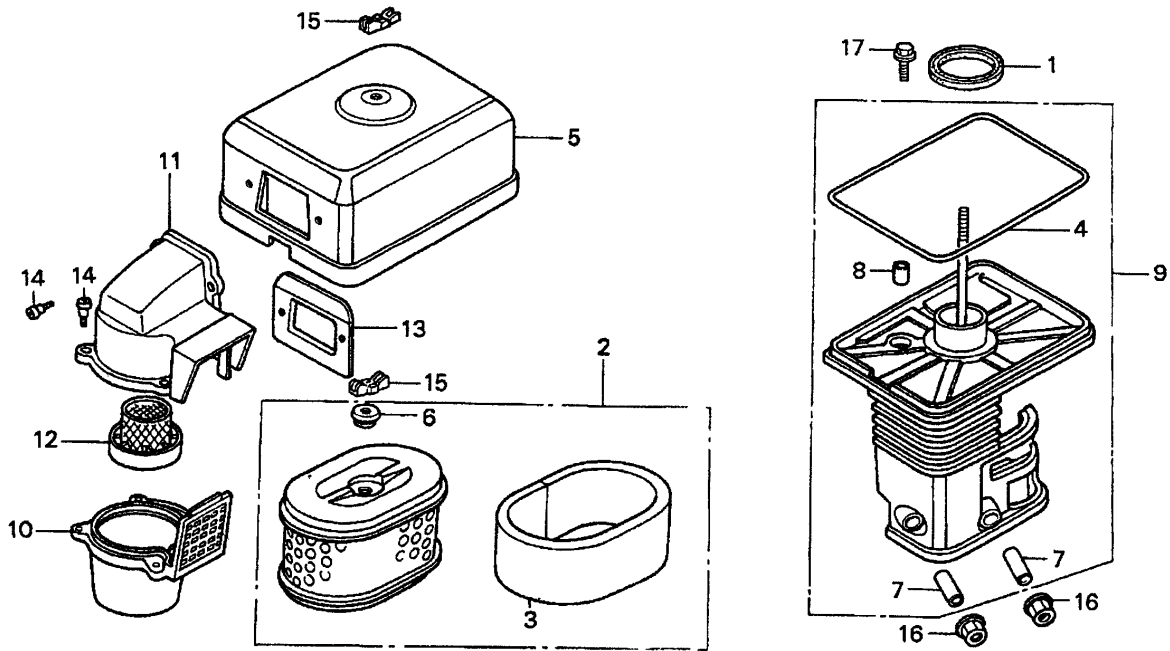
NOTICE

Gasket Set, item 1 included with items 4, 7, 8, 12, 21, and 26.

HONDA GX200UT2QXC9 — CARBURETOR ASSY.

<u>NO.</u>	<u>PART NO.</u>	<u>PART NAME</u>	<u>QTY.</u>	<u>REMARKS</u>
1#	16010ZE1812	GASKET SET	1	
2#	16011ZE0005	VALVE SET, FLOAT	1	
3#	16013Z0SB01	FLOAT SET	1	
4#	16015Z4M911	CHAMBER SET, FLOAT	1	INCLUDES ITEM W/\$
5#	16016ZH7W01	SCREW SET, PILOT	1	
6#	16024Z5T901	SCREW SET, DRAIN	1	
7#	16028Z5T901	SCREW SET	1	INCLUDES ITEM W/\$
8#	16044ZE0005	CHOKE SET	1	INCLUDES ITEM W/\$
9	16100Z4VV31	CARBURETOR ASSY. (BE59R A)	1	INCLUDES ITEMS W/#
10#	16124ZE0005	SCREW, THROTTLE STOP	1	
11#	16166ZL0V20	NOZZLE, MAIN	1	
12#	16075GHBB00	PACKING, FUEL STRAINER CUP	1	REPLACES P/N 16955283000 INCLUDES ITEM W/\$
14	16212ZH8800	PACKING, INSULATOR	1	
15	16220ZE1020	SPACER COMP., CARBURETOR	1	
16	16221ZH8801	PACKING, CARBURETOR	1	
17	16610ZE1000	LEVER COMP., CHOKE (STD.)	1	INCLUDES ITEM W/%
18#	16953ZE1812	LEVER, COCK	1	
19#	16954ZE1812	PLATE, LEVER SETTING	1	
20#	16956ZE1811	SPRING, COCK LEVER	1	
21#	16957ZE1812	PACKING, FUEL COCK	1	INCLUDES ITEM W/\$
22#	16967ZE0811	CUP, FUEL STRAINER	1	
23#	93500030060H	SCREW, PAN, 3X6	2	REPLACES P/N 93500030061H
24%	9430520122	PIN, SPRING, 2X12	1	
25#	99101ZH80700	JET, MAIN, #70	1	
25#	99101ZH80720	JET, MAIN, #72	1	
25#	99101ZH80750	JET, MAIN, #75	1	
26#	99204ZA00450	JET SET, PILOT, #45	1	INCLUDES ITEM W/\$
38	16211Z4V000	INSULATOR, CARBURETOR	1	
39#	16959Z5T901	FILTER, CUP	1	

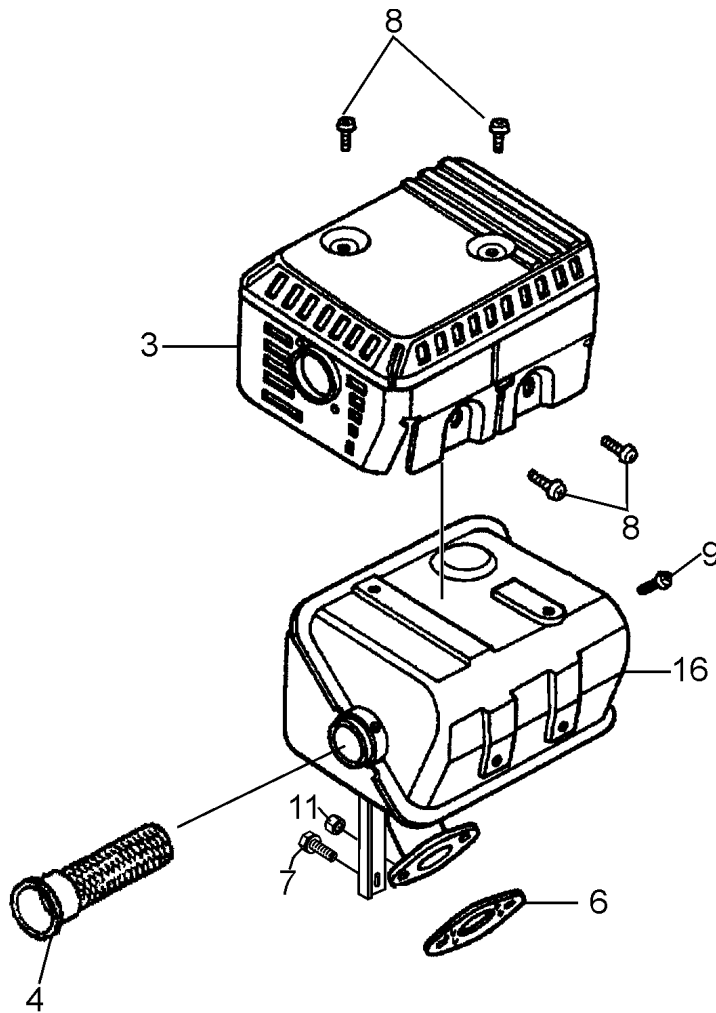
HONDA GX200UT2QXC9 — AIR CLEANER ASSY.



HONDA GX200UT2QXC9 — AIR CLEANER ASSY.

<u>NO.</u>	<u>PART NO.</u>	<u>PART NAME</u>	<u>QTY.</u>	<u>REMARKS</u>
1	16271ZE1000	PACKING, ELBOW	1	
2	17210ZE2515	ELEMENT, AIR CLEANER (DUAL)	1	INCLUDES ITEMS W/# REPLACES P/N 17210ZE2822
3#	17218ZE2505	FILTER, OUTER	1	REPLACES P/N 17218ZE2821
4%	17219733010	PACKING, AIR CLEANER COVER	1	
5	17230ZE1841	COVER, AIR CLEANER (DUAL)	1	
6#	17232891000	GROMMET, AIR CLEANER	1	
7%	17238ZE7010	COLLAR, AIR CLEANER	2	
8%	17239733000	COLLAR B, AIR CLEANER	1	
9	17410ZE1840	ELBOW COMP., AIR CLEANER	1	INCLUDES ITEMS W/%
10	17470ZE1842	CASE, PRE AIR CLEANER	1	
11	17475ZE1841	CAP, PRE AIR CLEANER	1	
12	17476ZE1841	GUIDE, PRE AIR CLEANER	1	
13	17478ZE1841	PLATE, PRE AIR CLEANER	1	
14	90300GB0900	BOLT, MUD GUARD	5	
15	90325044000	WING NUT	2	
16	9405006000	NUT, FLANGE, 6MM	2	
17	957010602000	BOLT FLANGE, 6X20	1	

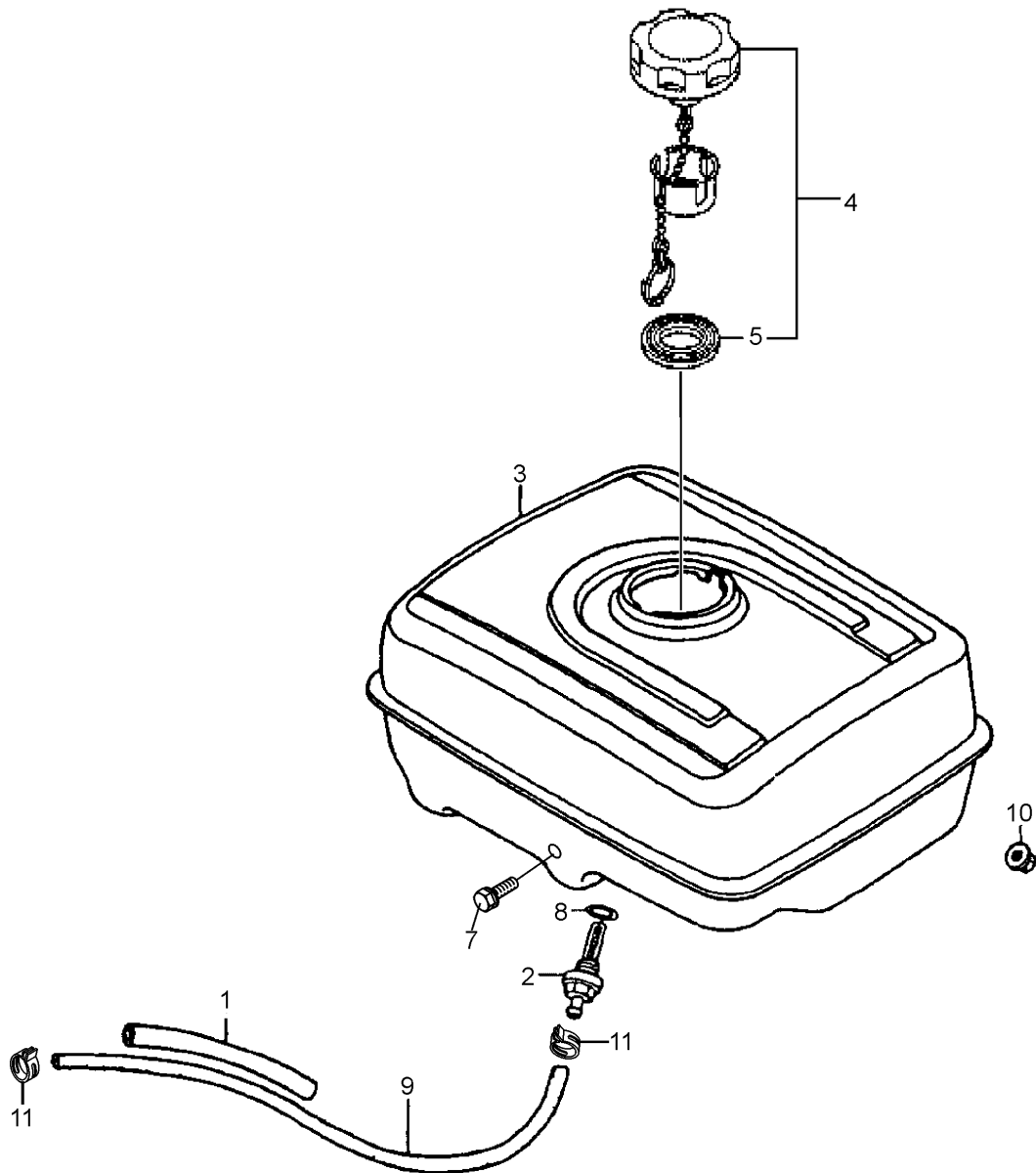
HONDA GX200UT2QXC9 — MUFFLER ASSY.



HONDA GX200UT2QXC9 — MUFFLER ASSY.

<u>NO.</u>	<u>PART NO.</u>	<u>PART NAME</u>	<u>QTY.</u>	<u>REMARKS</u>
3	18320Z4V000	PROTECTOR COMP., MUFFLER	1	
4	18355ZL0000	ARRESTER, SPARK	1	
6	18381Z0T801	GASKET, MUFFLER	1	
7	90016ZE1000	BOLT, FLANGE, 6X13	1	
8	90050ZE1000	SCREW, TAPPING, 5X8	4	
9	90055ZE1000	SCREW, TAPPING, 4X6	1	
11	020108060	NUT, HEX, 8MM	2.....	REPLACES P/N 94001080000S
16	18310Z4V000	MUFFLER COMP.	1	

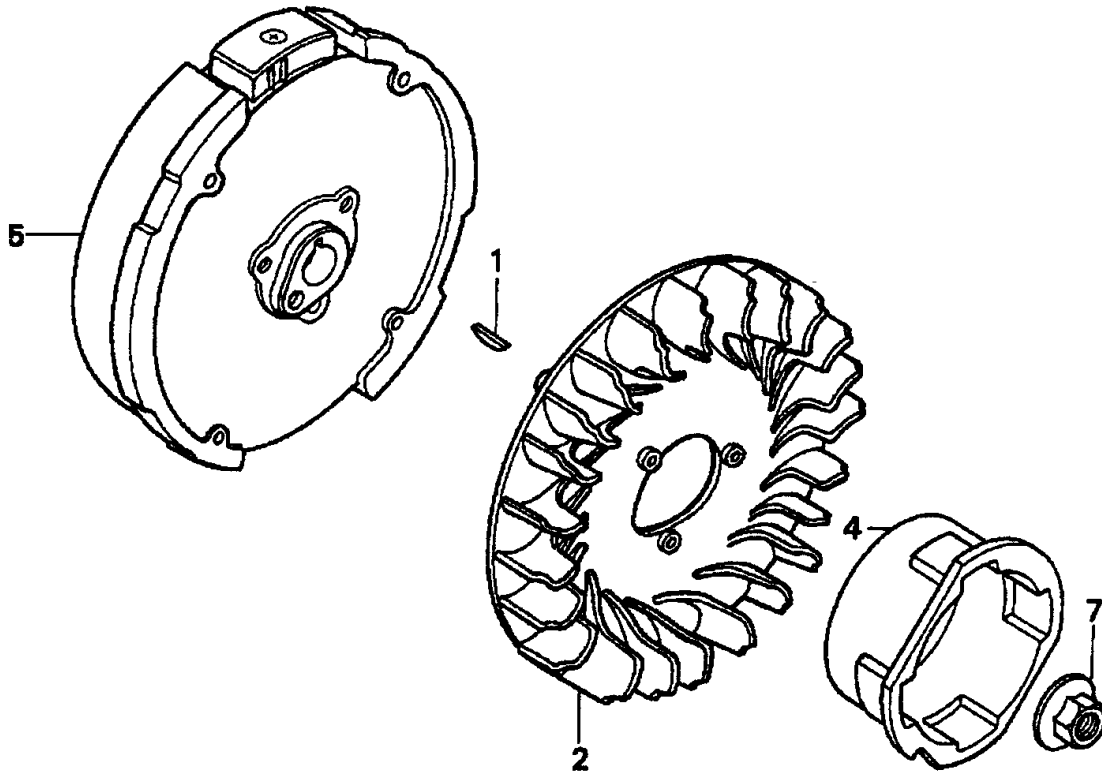
HONDA GX200UT2QXC9 — FUEL TANK ASSY.



HONDA GX200UT2QXC9 — FUEL TANK ASSY.

<u>NO.</u>	<u>PART NO.</u>	<u>PART NAME</u>	<u>QTY.</u>	<u>REMARKS</u>
1	16854ZH8000	RUBBER, SUPPORTER (107 MM)	1	
2	16955ZE1010	JOINT, FUEL TANK	1	
3	17510Z4M000ZB	TANK, COMP., FUEL *NH1*, BLACK	1	
4	17620Z4H030	CAP COMP., FUEL FILLER	1	INCLUDES ITEM W/\$
5\$	17631Z0T801	GASKET, FUEL FILLER CAP	1	
7	90004ZL0003	BOLT, FLANGE 6X34	1	
8	91353671003	O-RING 14 MM	1	REPLACES P/N 91353671004
9	91424Z4M003	TUBE, FUEL (4.5X145)	1	
10	9405006000	NUT, FLANGE 6MM	2	
11	950024080008	CLAMP, TUBE	2	

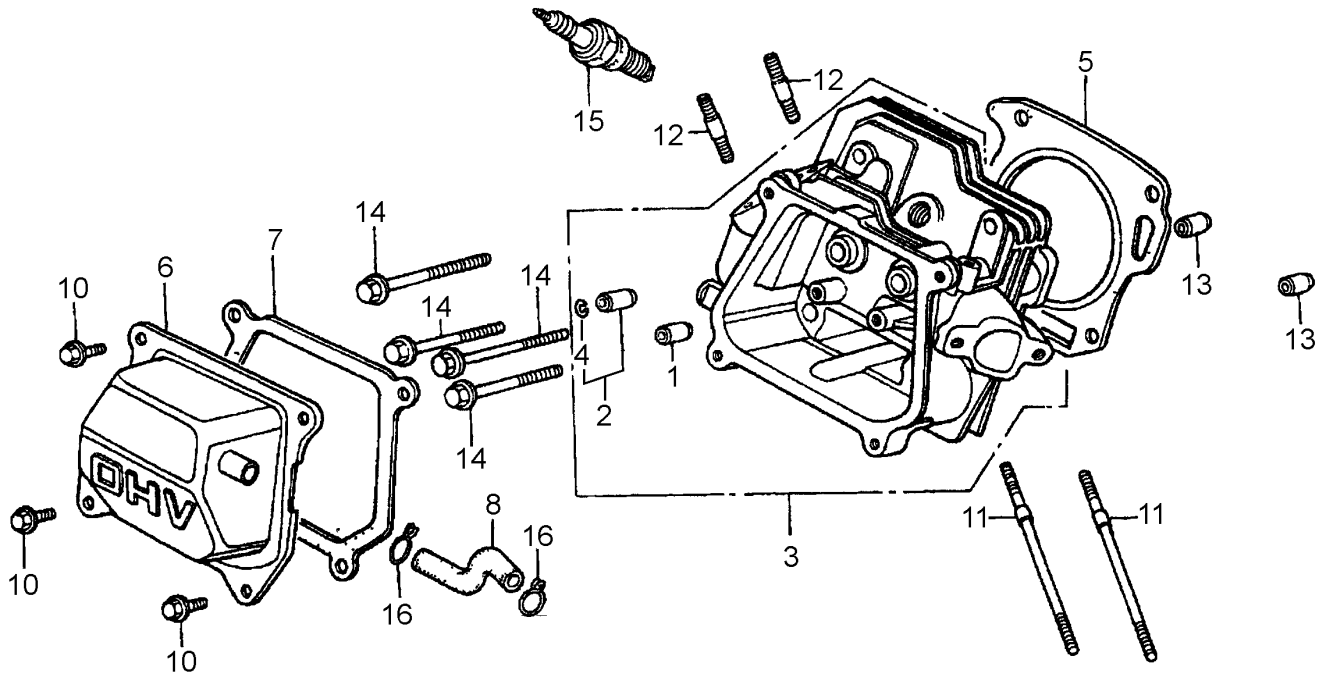
HONDA GX200UT2QXC9 — FLYWHEEL ASSY.



HONDA GX200UT2QXC9 — FLYWHEEL ASSY.

<u>NO.</u>	<u>PART NO.</u>	<u>PART NAME</u>	<u>QTY.</u>	<u>REMARKS</u>
1	13331357000	KEY, SPECIAL WOODRUFF, 25X18	1	
2	19511ZE1000	FAN, COOLING	1	
4	28451ZL0801	PULLEY, STARTER	1	
5	31100ZE7010	FLYWHEEL COMP.	1	
7	90201Z0T800	NUT, SPECIAL 14MM	1	

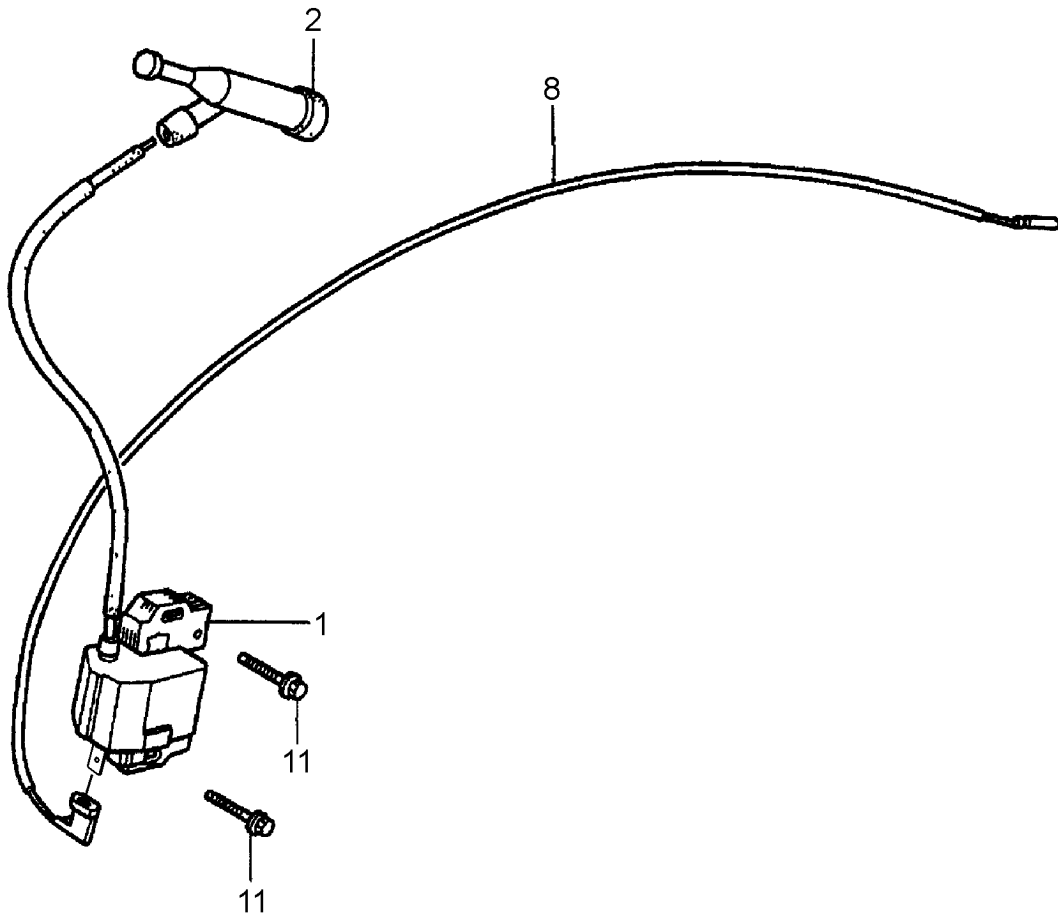
HONDA GX200UT2QXC9 — CYLINDER HEAD ASSY.



HONDA GX200UT2QXC9 — CYLINDER HEAD ASSY.

<u>NO.</u>	<u>PART NO.</u>	<u>PART NAME</u>	<u>QTY.</u>	<u>REMARKS</u>
1#	12204ZE1306	GUIDE, IN. VALVE (O.S.)	1	
2#	12205ZE1315	GUIDE, EX. VALVE (O.S.)	1.....	INCLUDES ITEM W/%
3	12210ZL0415	HEAD COMP., CYLINDER	1.....	INCLUDES ITEMS W/#
4#%	12216ZE5300	CLIP, VALVE GUIDE	1	
5	12251ZL0003	GASKET, CYLINDER HEAD	1	
6	12310Z4M840	COVER COMP., HEAD	1	
7	12391ZE1000	PACKING, HEAD COVER	1	
8	15721ZE1840	TUBE, BREATHER	1	
10	90013883000	BOLT, FLANGE, 6X12	4	
11	90043ZE1020	BOLT, STUD, 6X112	2	
12	90047ZE1000	BOLT, STUD, 8X32	2	
13	9430110160	DOWEL PIN, 10X16	2	
14	957010806000	BOLT, FLANGE, 8X60	4	
15	9807956855	PLUG, SPARK (W20EPR-U) (DENSO)	1	
15	9807956846	PLUG, SPARK (BPR6ES) (NGK).....	1.....	REPLACES P/N 9807956876
16	9500280000	CLIP, TUBE	2	

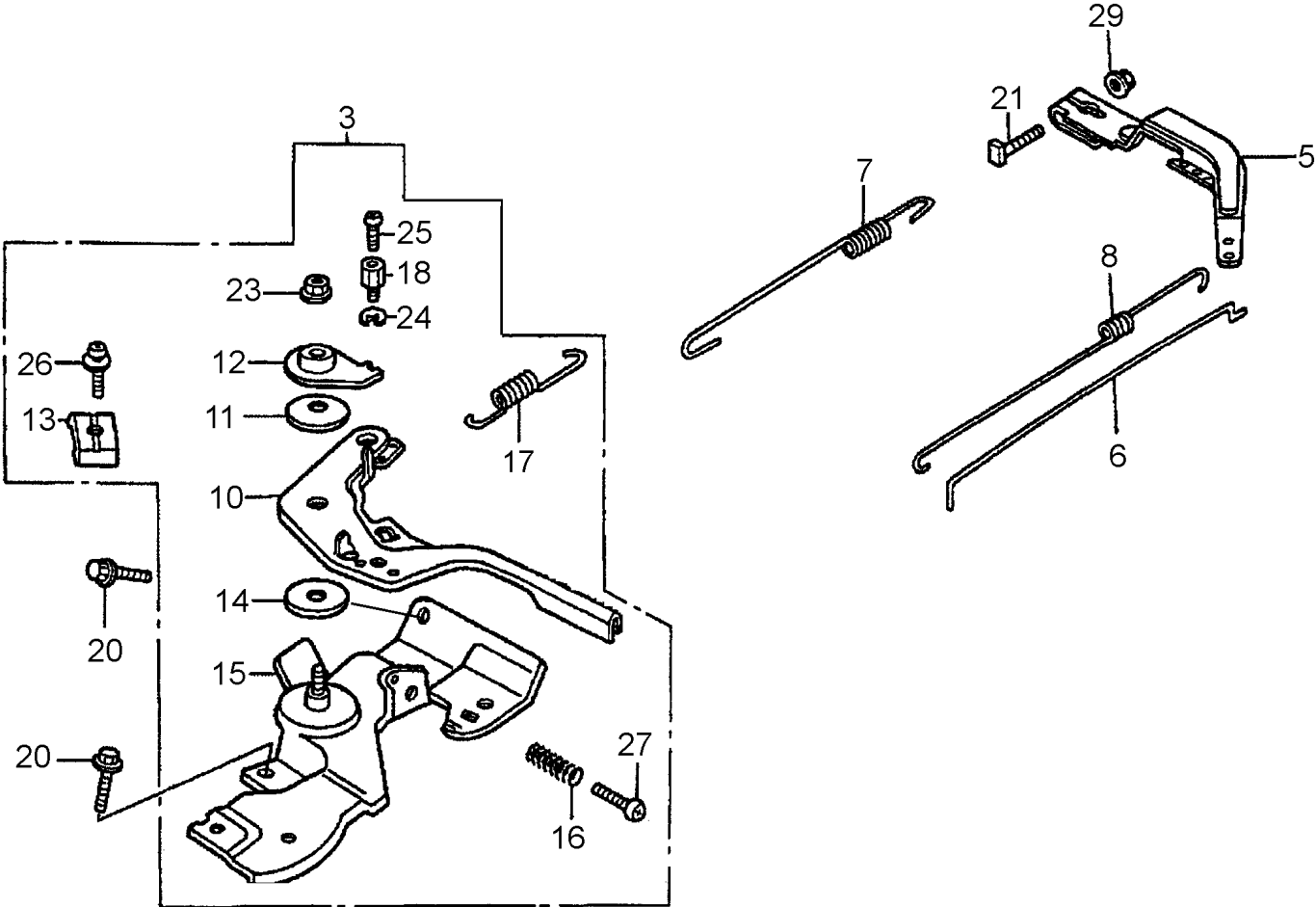
HONDA GX200UT2QXC9 — IGNITION COIL ASSY.



HONDA GX200UT2QXC9 — IGNITION COIL ASSY.

<u>NO.</u>	<u>PART NO.</u>	<u>PART NAME</u>	<u>QTY.</u>	<u>REMARKS</u>
1	30500Z0T802	COIL ASSEMBLY, IGNITION	1	
2	30700Z0T811	CAP ASSEMBLY, NOISE SUPPRESSOR	1	
8	36101ZE1010	CORD, STOP SWITCH (370MM)	1	
11	957010602500	BOLT, FLANGE 6X25.....	2.....	REPLACES P/N 90121952000

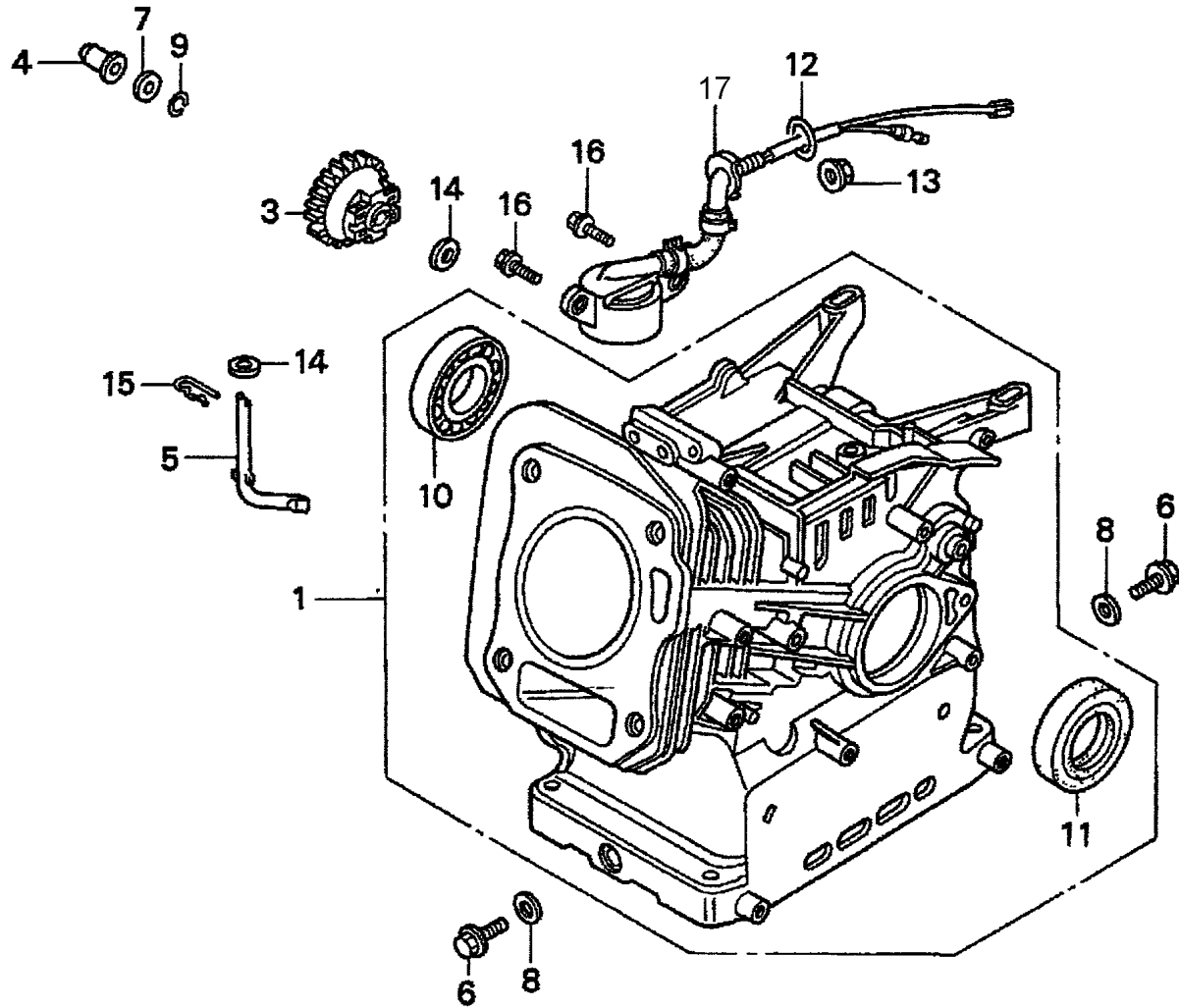
HONDA GX200UT2QXC9 — CONTROL ASSY.



HONDA GX200UT2QXC9 — CONTROL ASSY.

<u>NO.</u>	<u>PART NO.</u>	<u>PART NAME</u>	<u>QTY.</u>	<u>REMARKS</u>
3	16500Z4M407	CONTROL ASSY. (CYCLONE)	1.....	INCLUDES ITEMS W/#
5	16551ZL0000	ARM, GOVERNOR	1	
6	16555Z4M000	ROD, GOVERNOR	1	
7	16561ZL0000	SPRING, GOVERNOR	1	
8	16562ZE1020	SPRING, THROTTLE RETURN	1	
10#	16571Z4M000	LEVER, CONTROL	1	
11#	16574ZE1000	SPRING, LEVER	1	
12#	16575ZH8000	WASHER, CONTROL LEVER	1	
13#	16576891000	HOLDER, CABLE	1	
14#	16578ZE1000	SPACER, CONTROL LEVER	1	
15#	16580Z4M850	BASE COMP., CONTROL	1	
16#	16584883300	SPRING, CONTROL ADJUSTING	1	
17#	16592ZE1810	SPRING, CABLE RETURN	1	
18#	16594883010	HOLDER, WIRE	1	
20	90013883000	BOLT, FLANGE, 6X12	2	
21	90015ZE5010	BOLT, GOVERNOR ARM	1	
23#	90114SA0000	NUT, SELF-LOCK, 6MM	1	
24#	90605230000	CIRCLIP, 5MM	1	
25#	0043504060	SCREW, PAN, 4X6	1.....	REPLACES P/N 93500040060H
26#	0202005T125	SCREW, PAN, 5X16	1.....	REPLACES P/N 93500050160A
27#	93500050250H	SCREW, PAN, 5X25	1	
29	9405006000	NUT, FLANGE 6MM	1	

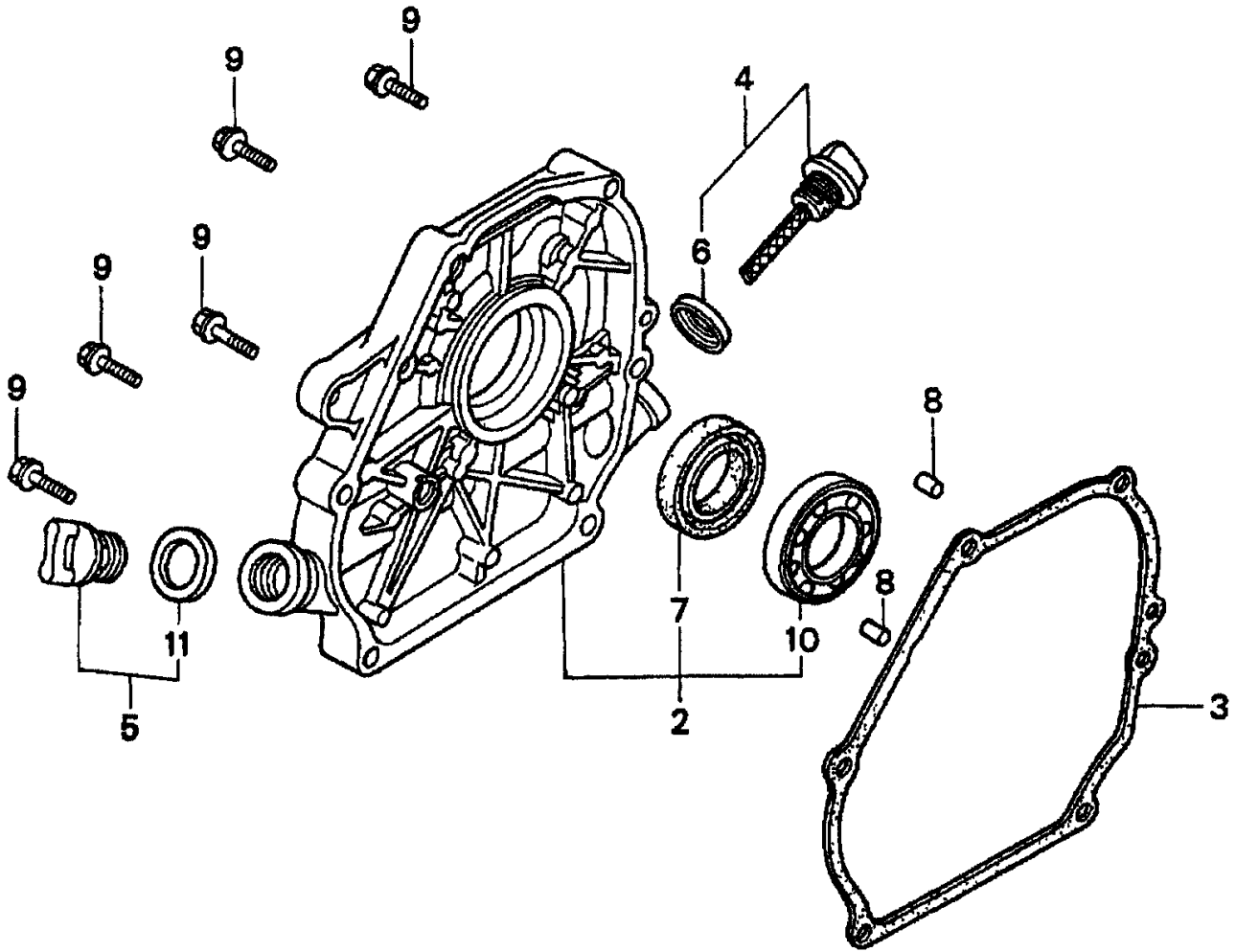
HONDA GX200UT2QXC9 — CYLINDER BARREL ASSY.



HONDA GX200UT2QXC9 — CYLINDER BARREL ASSY.

<u>NO.</u>	<u>PART NO.</u>	<u>PART NAME</u>	<u>QTY.</u>	<u>REMARKS</u>
1	12000Z4V406	BARREL ASSY., CYLINDER	1.....	INCLUDES ITEMS W/#
3	16506ZL0000	GOVERNOR ASSY.	1	
4	16531ZE1000	SLIDER, GOVERNOR	1	
5	16541ZE1000	SHAFT, GOVERNOR ARM	1	
6	90131ZE1000	BOLT, DRAIN PLUG	2	
7	90451ZE1000	WASHER, THRUST, 6MM	1	
8	90601ZE1000	WASHER, DRAIN PLUG, 10.2MM	2	
9	90602ZE1000	CLIP, GOVERNOR HOLDER	1	
10#	91001ZF1003	BEARING, RADIAL BALL, (6205TMB)	1	
11#	91201ZOT801	OIL SEAL, 25X41X6	1	
12	91353671003	O-RING, 14MM.....	1.....	REPLACES P/N 91353671004
13	9405010000	NUT, FLANGE, 10MM	1	
14	58176	WASHER, FLAT 6MM.....	2.....	REPLACES P/N 9410106800
15	9425108000	PIN, LOCK, 8MM	1	
16	957010601200	BOLT, FLANGE, 6X12	2	
17	35480ZOT003	SWITCH ASSY., OIL LEVEL	1	

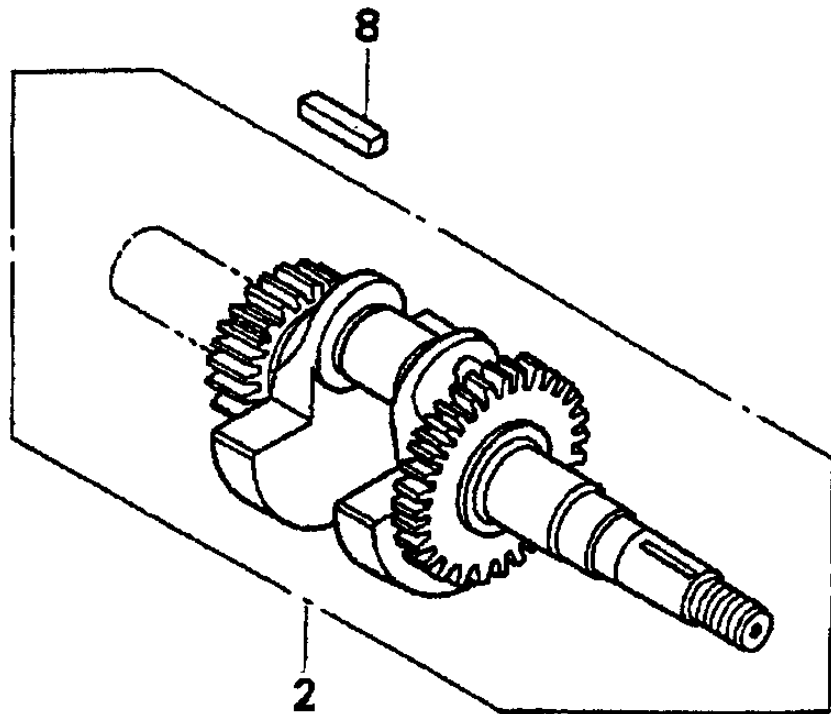
HONDA GX200UT2QXC9 — CRANKCASE COVER ASSY.



HONDA GX200UT2QXC9 — CRANKCASE COVER ASSY.

<u>NO.</u>	<u>PART NO.</u>	<u>PART NAME</u>	<u>QTY.</u>	<u>REMARKS</u>
2	11300ZE1642	COVER ASSY., CRANKCASE.....	1.....	INCLUDES ITEMS W/#
3	11381ZH8801	PACKING, CASE COVER	1	
4	15600Z0T810	CAP ASSY., OIL FILLER	1.....	INCLUDES ITEMS W/\$
5	15600Z0T820	CAP ASSY., OIL FILLER	1.....	INCLUDES ITEMS W/%
6\$	15625Z0T800	PACKING, OIL FILLER CAP	1	
7#	91201Z0T801	OIL SEAL, 25X41X6	1	
8	9430108140	DOWEL PIN, 8X14	2	
9	957010803200	BOLT, FLANGE, 8X32	6	
10#	961006205010	BEARING, RADIAL BALL, 6205	1.....	REPLACES P/N 961006205000
11%	15625Z0T800	PACKING, OIL FILLER CAP	1	

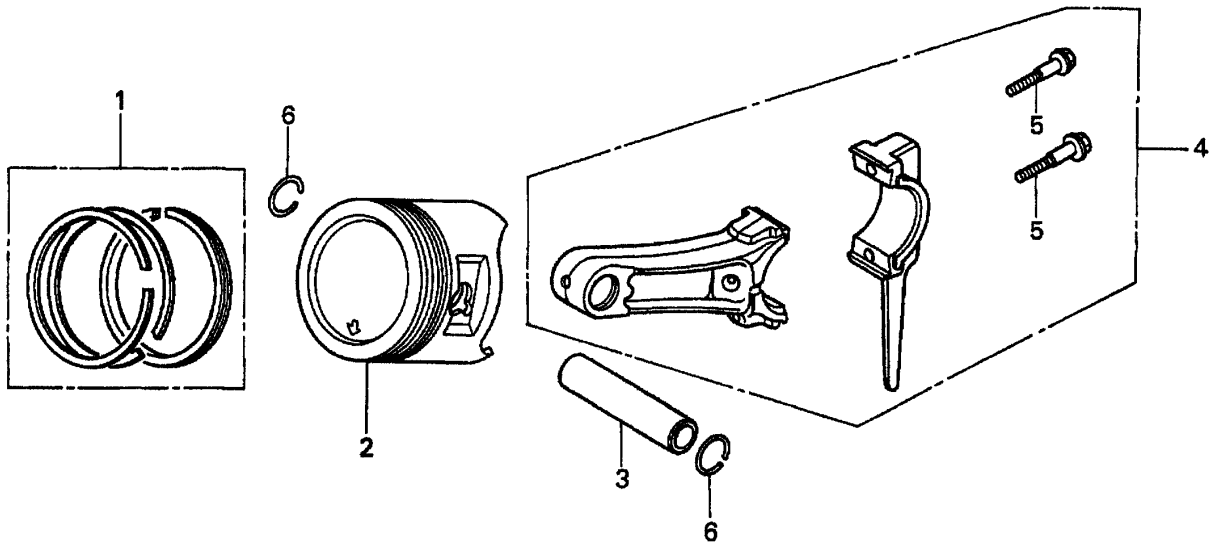
HONDA GX200UT2QXC9 — CRANKSHAFT ASSY.



HONDA GX200UT2QXC9 — CRANKSHAFT ASSY.

<u>NO.</u>	<u>PART NO.</u>	<u>PART NAME</u>	<u>QTY.</u>	<u>REMARKS</u>
2	13310ZL0602	CRANKSHAFT COMP.	1	
8	90745ZE1600	KEY, 4.78X4.78X38	1	

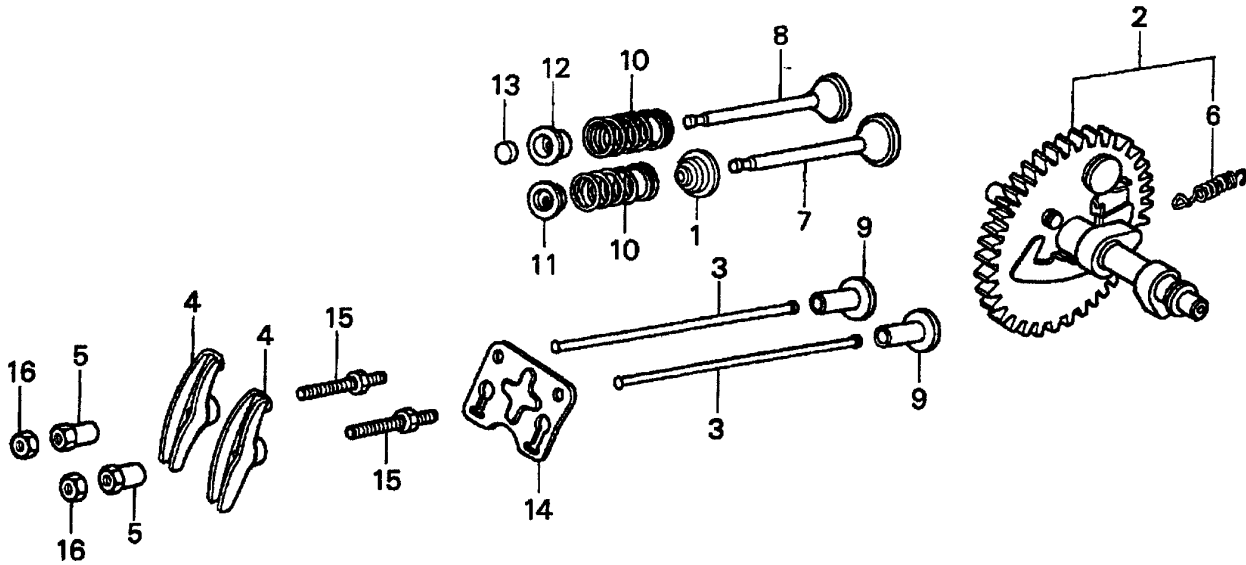
HONDA GX200UT2QXC9 — PISTON ASSY.



HONDA GX200UT2QXC9 — PISTON ASSY.

<u>NO.</u>	<u>PART NO.</u>	<u>PART NAME</u>	<u>QTY.</u>	<u>REMARKS</u>
1	13010Z4K004	RING SET, PISTON (STD.)	1	
1	13011Z4K004	RING SET, PISTON (0.25)	1	
1	13012Z4K004	RING SET, PISTON (0.50)	1	
1	13013Z4K004	RING SET, PISTON (0.75)	1	
2	13101Z4V800	PISTON (STD.)	1	
2	13102ZL0020	PISTON (0.25)	1	
2	13103ZL0020	PISTON (0.50)	1	
2	13104ZL0020	PISTON (0.75)	1	
3	13111Z4M000	PIN, PISTON	1	
4	13200Z0T800	ROD ASSY., CONNECTING (TH)	1	INCLUDES ITEMS W/#
5#	90001ZE1000	BOLT, CONNECTING ROD	2	
6	90551ZE1000	CLIP, PISTON PIN, 18MM	2	

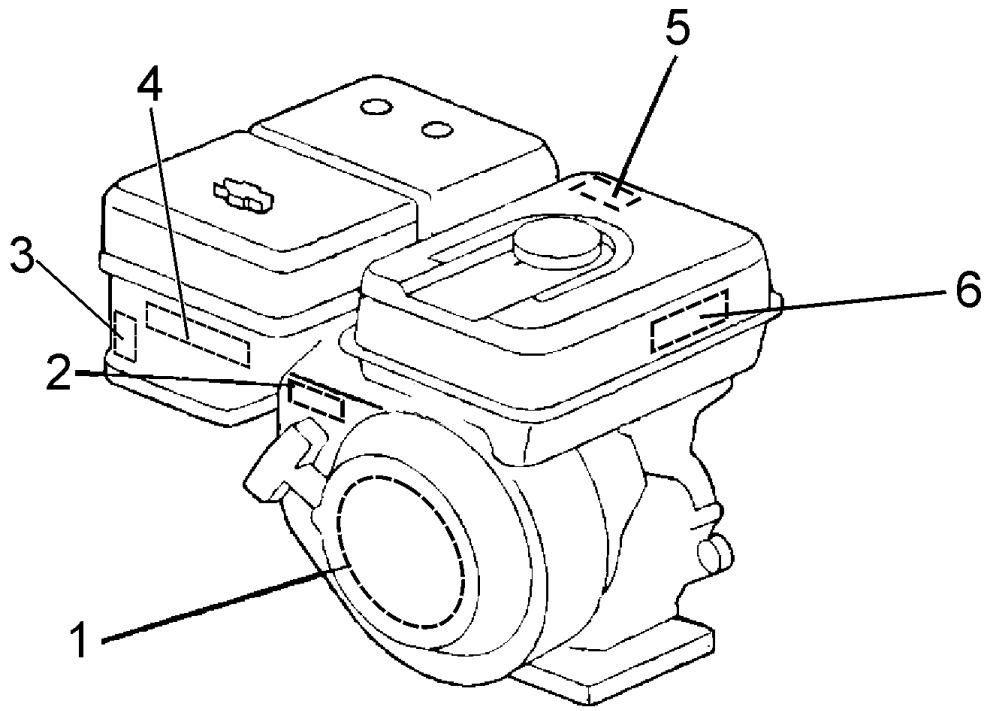
HONDA GX200UT2QXC9 — CAMSHAFT ASSY.



HONDA GX200UT2QXC9 — CAMSHAFT ASSY.

<u>NO.</u>	<u>PART NO.</u>	<u>PART NAME</u>	<u>QTY.</u>	<u>REMARKS</u>
1	12209Z4M801	SEAL, VALVE STEM	1	
2	14100ZL0000	CAMSHAFT ASSY.....	1	INCLUDES ITEMS W/#
3	14410ZE1010	ROD, PUSH	2	
4	14431ZE1000	ARM, VALVE ROCKER	2	
5	14451ZE1013	PIVOT, ROCKER ARM	2	
6#	14568ZE1000	SPRING, WEIGHT RETURN	1	
7	14711ZF1000	VALVE, IN.	1	
8	14721ZF1000	VALVE, EX.	1	
9	14731ZL0000	LIFTER, VALVE	2	
10	14751ZF1000	SPRING, VALVE	2	
11	14771ZE1000	RETAINER, IN. VALVE SPRING	1	
12	14773Z4X000	RETAINER, EX. VALVE SPRING	1	
13	14781ZE1000	ROTATOR, VALVE	1	
14	14791ZE1010	PLATE, PUSH ROD GUIDE	1	
15	90012ZE0010	BOLT, PIVOT, 8MM	2	
16	90206ZE1000	NUT, PIVOT ADJUSTING	2	

HONDA GX200UT2QXC9 — LABEL ASSY.



HONDA GX200UT2QXC9 — LABEL ASSY.

<u>NO.</u>	<u>PART NO.</u>	<u>PART NAME</u>	<u>QTY.</u>	<u>REMARKS</u>
1	87521Z4V000	EMBLEM (GX200)	1	
2	87532ZH7000	MARK, THROTTLE INDICATION	1	
3	87528Z4M000	MARK, CHOKE	1	
4	87535ZE1841	MARK, AIR CLEANER	1	
5	87539Z4M000	MARK, EX, CAUTION	1	
6	87516Z4H010	MARK, OPERATOR CAUTION	1	