

PARTS MANUAL



Mikasa **SERIES**
MODEL MT-62HS
TAMPING RAMMER
(ROBIN EC-08HS ENGINE)

Revision #3 (10/29/20)

THIS MANUAL MUST ACCOMPANY THE EQUIPMENT AT ALL TIMES.

MT-62HS 1 TO 3 UNITS WITH ROBIN EC08HS ENGINE

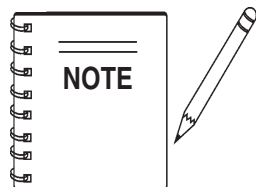
1 to 3 Units

Qty.	P/N	Description
1	362910060	THROTTLE LEVER ASSY.
1	956100044	THROTTLE WIRE
1	083000010	SPRING, COIL
3	362030030	ELEMENT, AIR CLEANER (YELLOW)
3	1573620101	ELEMENT SET (ENGINE)
3	0650140031	SPARK PLUG
1	361910021	CAP, FUEL TANK W/STRAP (ORANGE)
1	353030071	CAP, OIL TANK W/STRAP (YELLOW)
3	301419750	FUEL FILTER, IN-LINE
1	954404890	STRAINER, FUEL TANK (INSIDE)
1	954406010	STRAINER, FUEL (BOTTOM)
1	5805011040	STARTER ROPE
1	0660000361	SWITCH, STOP

MT-62HS 3 TO 5 UNITS WITH ROBIN EC08HS ENGINE

3 to 5 Units

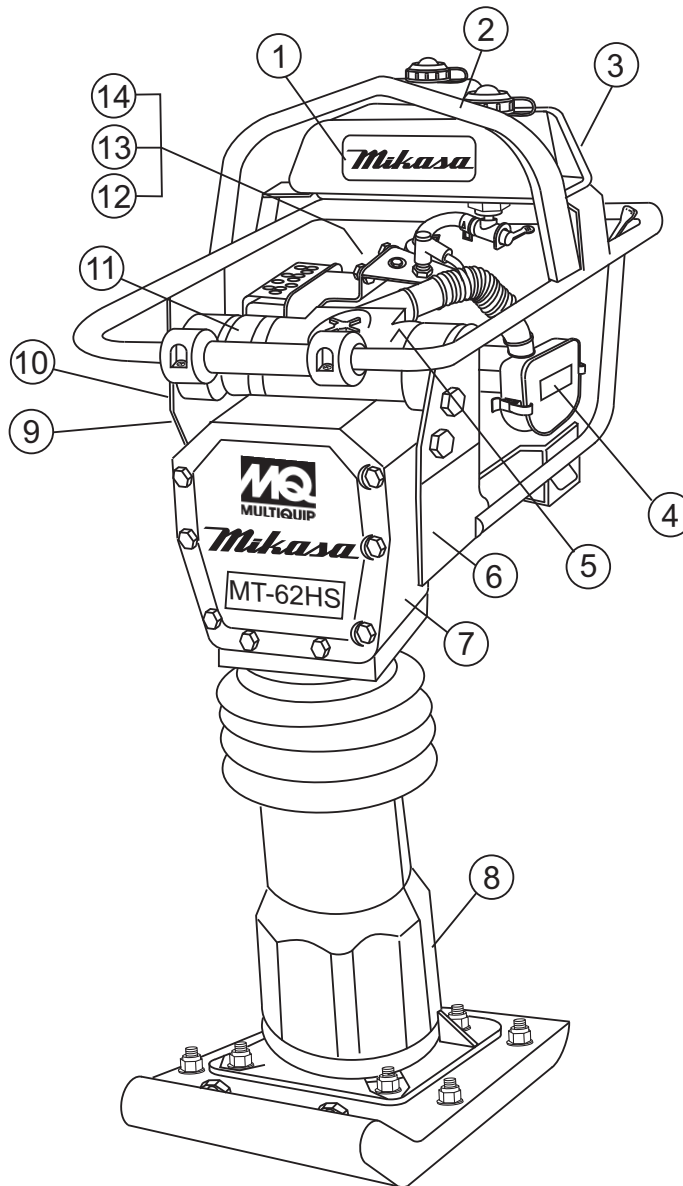
Qty.	P/N	Description
2	362910060	THROTTLE LEVER ASSY.
2	956100044	THROTTLE WIRE
2	083000010	SPRING, COIL
6	362030030	ELEMENT, AIR CLEANER (YELLOW)
6	1573620101	ELEMENT SET (ENGINE)
6	0650140031	SPARK PLUG
2	361910021	CAP, FUEL TANK W/STRAP (ORANGE)
2	353030071	CAP, OIL TANK W/STRAP (YELLOW)
6	301419750	FUEL FILTER, IN-LINE
2	954404890	STRAINER, FUEL TANK (INSIDE)
2	954406010	STRAINER, FUEL (BOTTOM)
2	5805011040	STARTER ROPE
2	0660000361	SWITCH, STOP
1	1293500403	GASKET, COMPLETE EXHAUST
1	2263272008	GASKET, AIR CLEANER
2	1063500103	GASKET, INSULATOR, CARBURETOR
1	KITCARBEC08H	CARBURETOR KIT
1	5806111000	CARBURETOR ASSEMBLY
2	050100800	O-RING, UPPER GUIDE CYLINDER



Part number on this Suggested Spare Parts List may super cede/replace the P/N shown in the text pages of this book.

MT-62HS — NAMEPLATE AND DECALS

NAMEPLATE AND DECALS



MT-62HS — NAMEPLATE AND DECALS

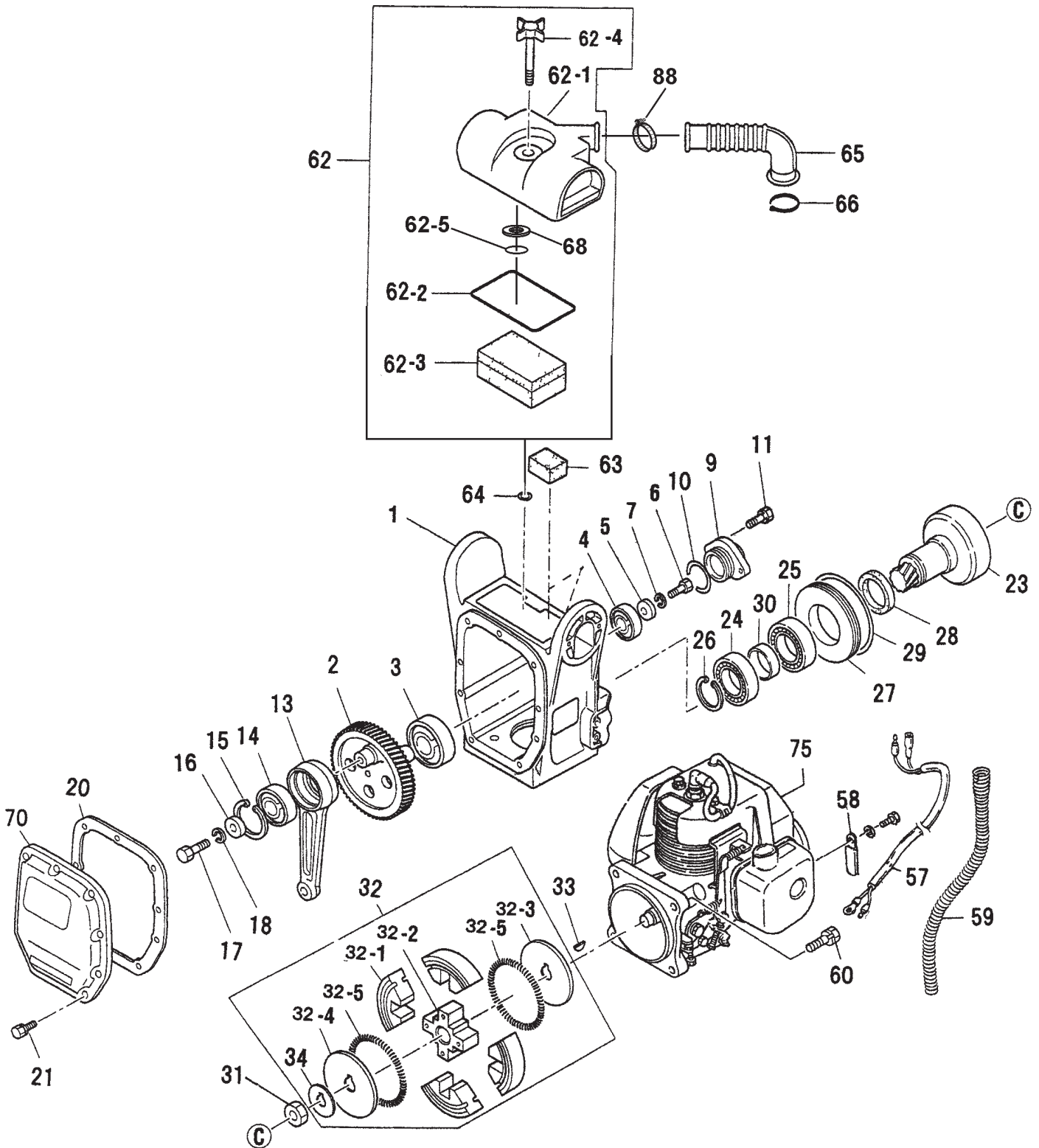
NAME PLATE AND DECALS

<u>NO.</u>	<u>PART NO.</u>	<u>PART NAME</u>	<u>QTY.</u>	<u>REMARKS</u>
1	920100240	DECAL: (M- MARK)	1	
2	920205990	DECAL: CAUTION (WATER)	1	NPA599
3	920205810	DECAL: CAUTION/OIL INJECT	1	NPA581
4	920203290	DECAL: CAUTION	1	NPA329
5	NPA963	DECAL: CLEANING ELEMENT	1	
6	920108310	DECAL: CLEANER ELEMENT	1	NPA831
7		PLATE: SERIAL NO.	1	CONTACT MQ PARTS DEPT.
8	920201950	DECAL: OIL SAE 10W- 30	1	NPA195
9	920209100	DECAL: CAUTION (RAMMER)	1	NPA910
10	NPA769	DECAL: READ	1	
11	920209610	DECAL: CLEANING ELEMENT	1	NPA961
12	920203990	DECAL: CAUTION (FUEL COCK)	1	NPA399
13	920209840	DECAL: E/G R.P.M. 3800- 4000	1	NPA984
14	920202930	DECAL: SWITCH- ON	1	NPA293

FOR DECAL ILLUSTRATIONS SEE PAGE 10.

MT-62HS — CRANKCASE AND ENGINE ASSY.

CRANKCASE AND ENGINE ASSY.



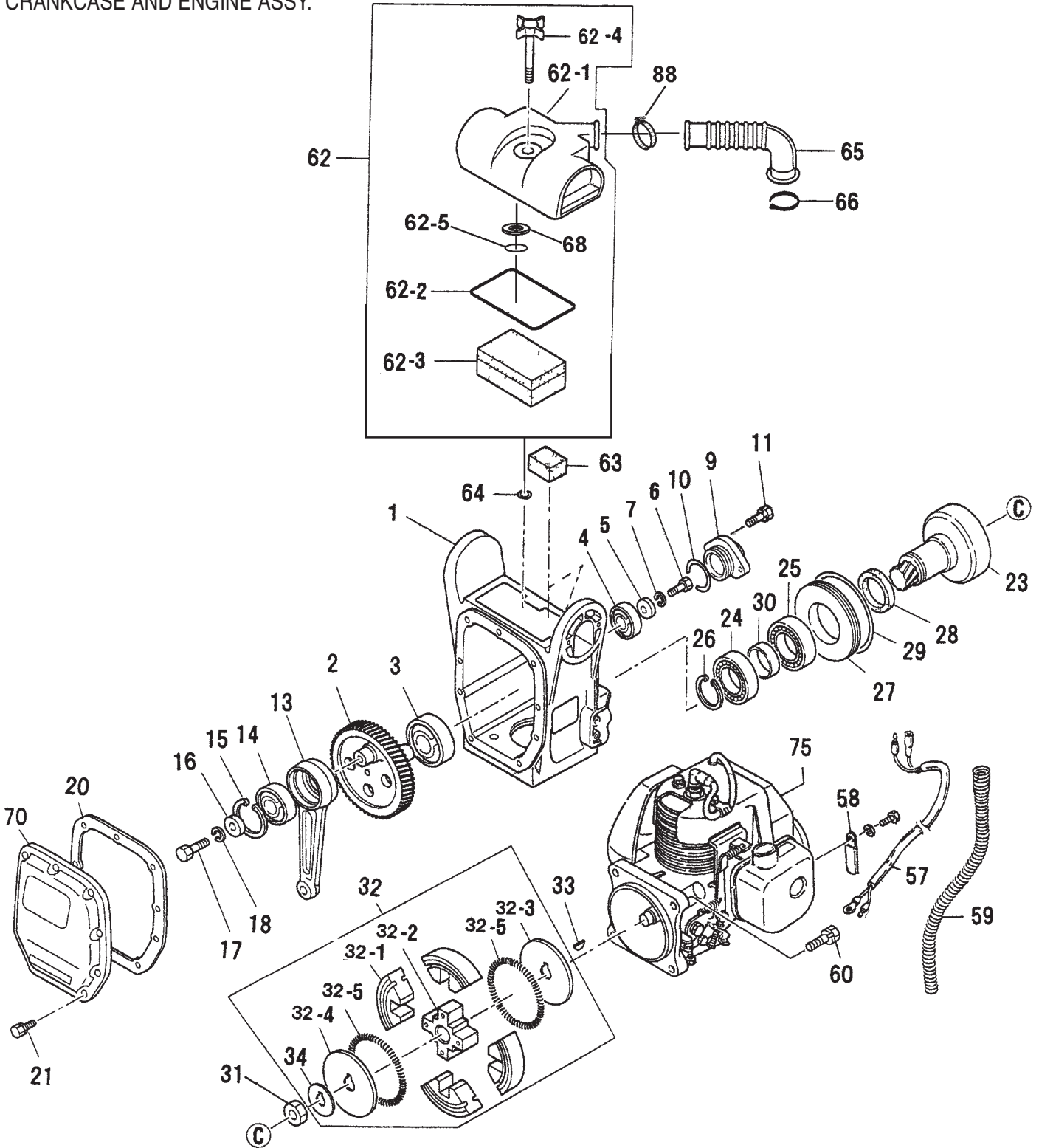
MT-62HS — CRANKCASE AND ENGINE ASSY.

CRANKCASE & ENGINE ASSY.

<u>NO.</u>	<u>PART NO.</u>	<u>PART NAME</u>	<u>QTY.</u>	<u>REMARKS</u>
1	362116510	CRANKCASE	1	
2	362341650	CRANK GEAR 1300- 59Z	1	
3	040006305	BEARING 6305	1	
4	040006203	BEARING 6203	1	
5	952401450	WASHER 8.5 X22 X 3	1	
6	001220825	BOLT 8 X25 T	1	
7	030208200	LOCK WASHER M8	1	
9	362455660	BEARING COVER	1	
10	050100350	O- RING G- 35	1	
11	002210620	BOLT 6X20 H, SW	2	
13	303010060	CONNECTING ROD	1	
14	040006304	BEARING 6304	1	
15	080100520	STOP RING R- 52	1	
16	952400130	WASHER 9304	1	
17	001220825	BOLT 8X25 T	1	
18	030208200	LOCK WASHER M8	1	
20	362341610	PACKING, FRONT COVER	1	
21	002210620	BOLT 6X20 H, SW	9	
23	303010080	PINION	1	
24	040006007	BEARING 6007	1	
25	041006007	BEARING 6007Z	1	
26	080200350	STOP RING S- 35	1	
27	351421900	SPACER, CLUTCH DRUM	1	
28	060404010	OIL SEAL TC- 40528	1	
29	050300900	O- RING S- 90	1	
30	351437750	SPACER 35.4- 42.7- 11	1	
31	0173120010	LOCK NUT	1	
32	301421365	CLUTCH ASSY. CE120E	1	INCLUDES ITEMS W/*
32-1*	943020020	CLUTCH SHOE	4	
32-2*	943050050	CLUTCH BOSS	1	
32-3*	943060010	CLUTCH GUIDE (A)	1	
32-4*	943060020	CLUTCH GUIDE (B)	1	
32-5*	943030020	CLUTCH SPRING	2	
33	0053204201	WOODRUFF KEY	1	
34*	301010210	LOCK WASHER, CLUTCH	1	
57	353448490	WIRE CP	1	
58	2267510103	CLAMP	1	
59	355450600	OUTER LINER 525L	1	
60	002210830	BOLT 8X30 H, SW	4	

MT-62HS — CRANKCASE AND ENGINE ASSY.

CRANKCASE AND ENGINE ASSY.



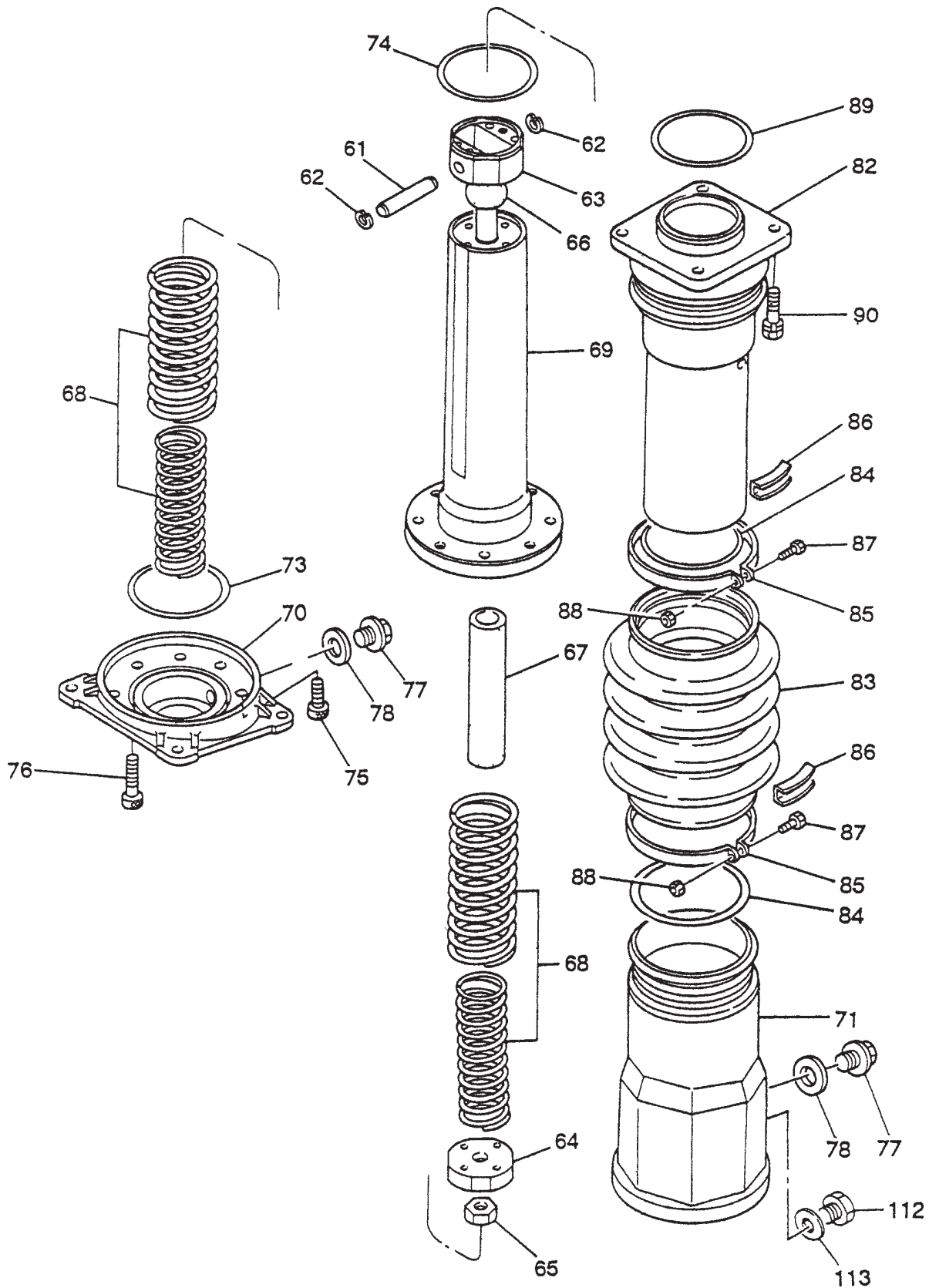
MT-62HS — CRANKCASE AND ENGINE ASSY.

CRANKCASE & ENGINE ASSY.

<u>NO.</u>	<u>PART NO.</u>	<u>PART NAME</u>	<u>QTY.</u>	<u>REMARKS</u>
62	362116870	AIR CLEANER ASSY.	1	INCLUDES ITEMS W/#
62-1#	362030010	COVER CP, AIR CLEANER	1	
62-2#	362030020	PACKING, AIR CLEANER	1	
62-3#	362030030	ELEMENT CP, AIR CLEANER	1	
62-4#	362030040	BOLT CP, AIR CLEANER	1	
62-5#	050300070	O-RING (S7)	1	
63	362455670	ELEMENT 25X30X20T	1	
64	031108160	PW M8	1	
65	353342400	INTAKE PIPE	1	
66	507010110	CLAMP TC- 200	2	
68#	031108160	WASHER, FLAT M8	1	
70	362010050	FRONT COVER	1	
75	911100843	ENGINE ASSY. EC08DXX (EPA)	1	
88	64016	HOSE CLAMP 13x16, 1-1/2" SS	1	

MT-62HS — GUIDE CYLINDER ASSY.

GUIDE CYLINDER ASSY.



MT-62HS — GUIDE CYLINDER ASSY.

GUIDE CYLINDER & FOOT ASSY.

<u>NO.</u>	<u>PART NO.</u>	<u>PART NAME</u>	<u>QTY.</u>	<u>REMARKS</u>
61	351420390	PISTON PIN	1	
62	080100120	STOP RING R- 12	2	
63	351324120	PISTON ROD	1	
64	362455680	PISTON END	1	
65	020116130	NUT M16, P1.5	1	
66	351434200	STOPPER, UPPER		
67	351434211	STOPPER, LOWER D: 30	1	
68	351324140	MAIN SPRING A, B	2	
69	362341640	SPRING CYLINDER	1	
70	351209600	FOOT PLATE	1	
71	351109020	PROTECTION SLEEVE	1	
73	050100750	O- RING G- 75	1	
74	050930850	O- RING JASO3085	1	
75	001521020	SOCKET HEAD BOLT 10X20 T	4	
76	001521035	SOCKET HEAD BOLT 10X35 T	4	
77	953405270	PLUG 1/4X14 13L	2	
78	953405260	PACKING 1/4 (CU)	2	
82	351209590	GUIDE CYLINDER	1	
83	353332850	BELLOWS (OR)	1	
84	050100950	O- RING G- 95	2	
85	351316870	BELLOWS CLAMP, W/B40L, N, SW	2	
86	351433250	BAND GUIDE/ BELLOWS	2	
87	001220840	BOLT 8X40 T	2	
88	020308060	NUT M8	2	
89	050100800	O- RING G- 80	1	
90	002211040	BOLT 10X40 H, SW	4	
112	959010150	LEVEL GAUGE, PLUG TYPE	1	
113	953404670	COPPER PACKING 17X25.5X1	1	

MT-62HS — TANK AND HANDLE ASSY.

TANK & HANDLE ASSY.

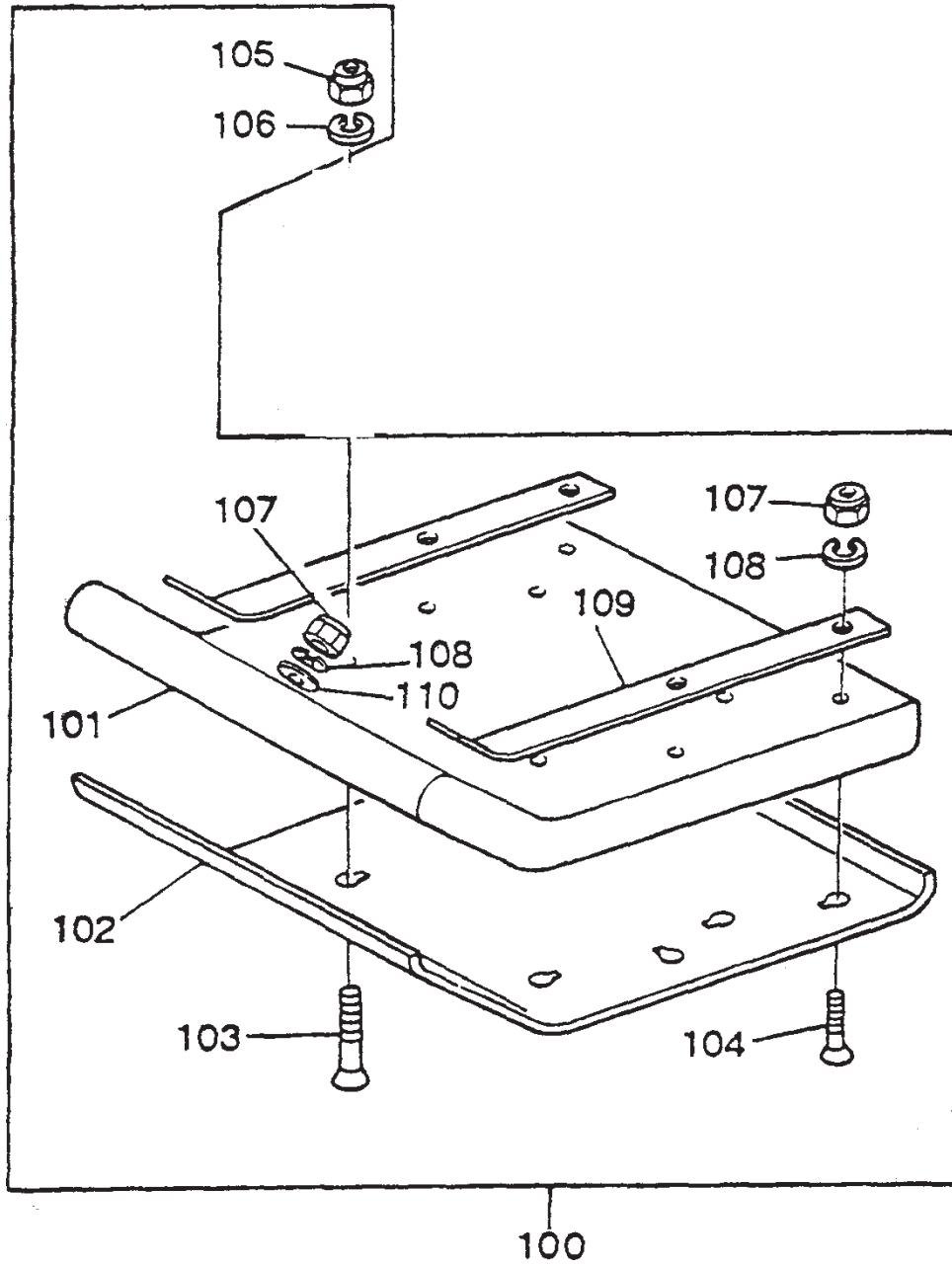
<u>NO.</u>	<u>PART NO.</u>	<u>PART NAME</u>	<u>QTY.</u>	<u>REMARKS</u>
3	009110007	BOLT W/STAR WASHER, 10X20	4	
4	002211020	BOLT 10X20 H, SW	4	
8	353117320	HANDLE (FOR ROLLER)	1	
9	351437785	HOLDER, COCK	1	
10	954406020	PACKING, FUEL TANK	1	
11	954406010	STRAINER (#110)	1	
12	001220830	BOLT 8X30 T	2	
13	022710809	NYLON NUT M8	2	
14	952401450	WASHER 8.5X22X3	2	
15	030208200	WASHER, LOCK M8	2	
16	954406000	FUEL COCK ASSY. N18L- 02	1	INCLUDES ITEMS W/#
16-1#	0642001410	CUP	1	
16-2#	0642001420	SCREEN	1	
16-3#	0642001430	RUBBER PACKING	1	
18	939010210	STOPPER RUBBER EH1002	1	
19	030208200	WASHER, LOCK M8	1	
20	020308060	NUT M8	1	
23	954404890	FILTER, FUEL TANK		
24	022130605	CAP NUT M6	2	
25	351319900	SHOCK ABSORBER	2	
26	361116910	FUEL TANK (2.5L) P, G	1	
27	361910021	TANK CAP CP (ORANGE)	1	
28*	362341550	THROTTLE BODY	1	
29	001200610	BOLT 6X10	1	
30	030206150	WASHER, LOCK M6	1	
31	226710103	CLAMP	1	
32	362910060	THROTTLE LEVER ASSY.	1	INCLUDES ITEMS W/*
33*	362455610	THROTTLE GEAR	1	
34*	362455620	SLIDER	1	
35	301420330	FUEL HOSE R- 170	1	
36	954403030	HOSE BAND (8)	2	
37	301419750	FUEL FILTER CP, MQ75MIC.	1	
38	302443340	FUEL HOSE R- 75	1	
39*	362455630	THROTTLE LEVER	1	
40*	050100450	O- RING G- 45	1	
41*	050200100	O- RING P- 10	1	
42*	031110160	WASHER, FLAT M10	3	
43*	033910070	CONICAL SPRING WASHER	2	
44*	096206006	SOCKET HEAD SCREW 6X6	1	
45*	022131008	CAP NUT M10	1	
46*	020410060	NUT M10, H=6	1	
47*	096208020	SOCKET HEAD SCREW 8X20	1	
48	020408050	NUT M8, H=5	2	
49	001220620	BOLT 6X20 T	2	
50	030206150	WASHER, LOCK M6	2	

MT-62HS — TANK AND HANDLE ASSY.

TANK & HANDLE ASSY.

<u>NO.</u>	<u>PART NO.</u>	<u>PART NAME</u>	<u>QTY.</u>	<u>REMARKS</u>
51	353213710	OIL TANK	1	
52	355448251	STRAINER, OIL TANK	1	
53	353030071	OIL TANK CAP CP (YELLOW)	1	
54	091004010	SCREW 4X10	1	
55	353910020	OIL SENSOR ASSEMBLY	1	INCLUDES ITEMS W/%
56%	1617260101	SWITCH FLOAT CP	1	
57%	0062610091	O- RING	1	
58%	353449031	SENSOR HOLDER	1	
59%	953405640	PACKING, COCK HOLDER	1	
60	956100044	THROTTLE WIRE S390- 485	1	
61	353450220	GUARD, OIL HOSE	1	
62	355448071	COVER, COCK HOLDER	1	
63	0830000010	COIL SPRING	1	
64	959401750	WIRE STOPPER ASSY. (2.5D)	1	
65	353030080	WELL NUT M5	1	
66	091005015	SCREW 5X15	1	
67	952405970	WASHER 6.4D- 20D	1	
70	009110011	SOCKET HEAD SCREW 8X20	2	
71	030208200	WASHER, LOCK M8	2	
72	952401450	WASHER 8.5X22X3	2	
89	361910040	ROLLER, W/PIN ASSY.	1	INCLUDES ITEMS W/\$
			REPLACES 955200051
90\$	091005025	SCREW 5X25	4	
91	022610505	FLANGE NUT M5 H	4	
92\$	031105080	WASHER, FLAT M5	4	

FOOT ASSY.

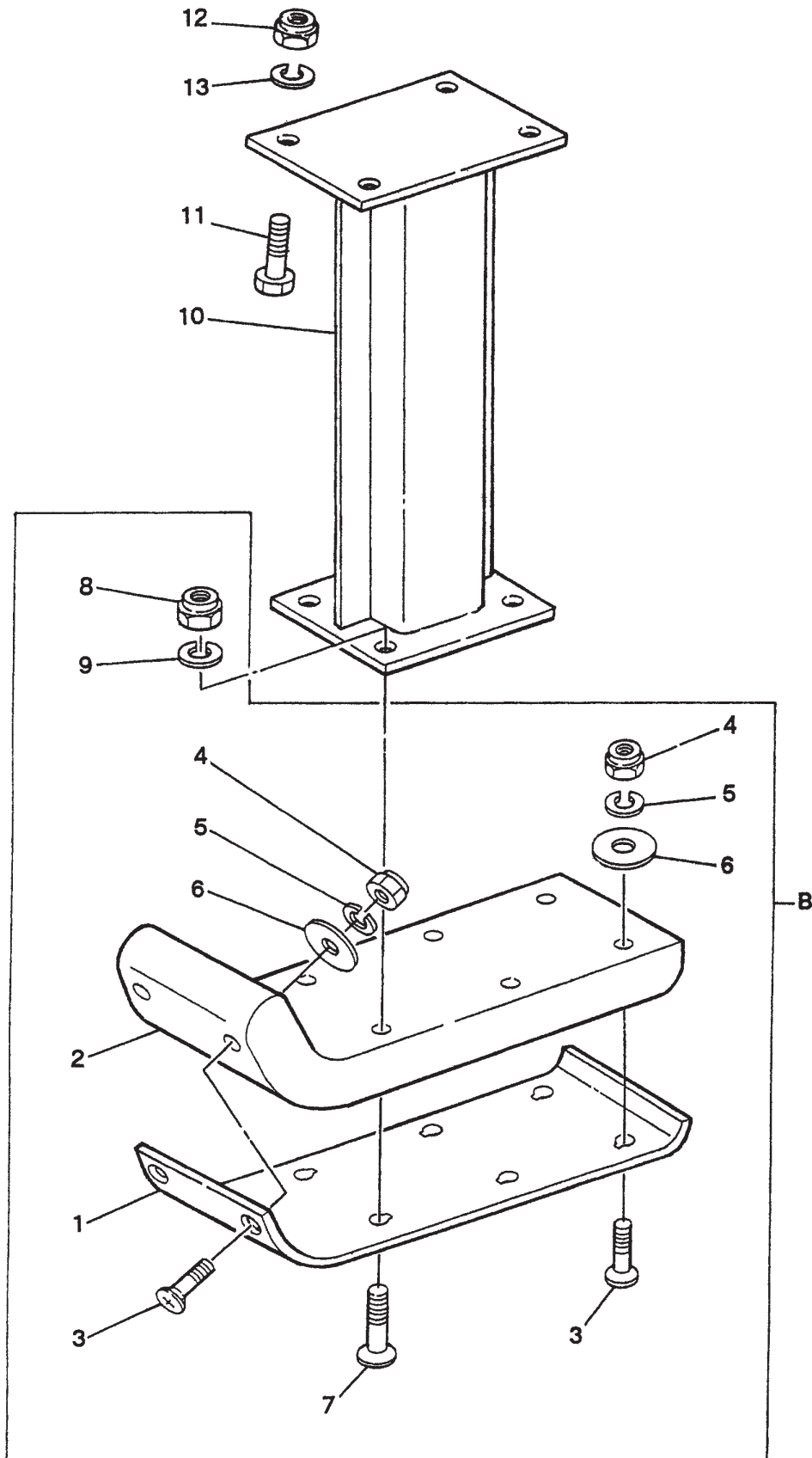


FOOT ASSY.

<u>NO.</u>	<u>PART NO.</u>	<u>PART NAME</u>	<u>QTY.</u>	<u>REMARKS</u>
100	351910130	FOOT ASSY. 265W- 215P	1	INCLUDES ITEMS W/*
101*	351109030	FOOT, 265W- 215P	1	
102*	351109040	METAL SHEET 265W- 215P- 4.5	1	
103*	001611253	SUNK HEAD BOLT 12X65 H	4	
104*	001611051	SUNK HEAD BOLT 10X55 H	7	
105*	022711214	NYLON NUT M12	4	
106*	030212300	WASHER, LOCK M12	4	
107*	022711012	NYLON NUT M10	7	
108*	030210250	WASHER, LOCK M10	7	
109*	352322581	FOOT FITTING 38B- 3T	2	
110*	301010540	WASHER, FLAT 11X34X3.2	1	

MT-62HS — TRENCH SHOE ASSY. (OPTION)

TRENCH SHOE ASSY. (OPTION)



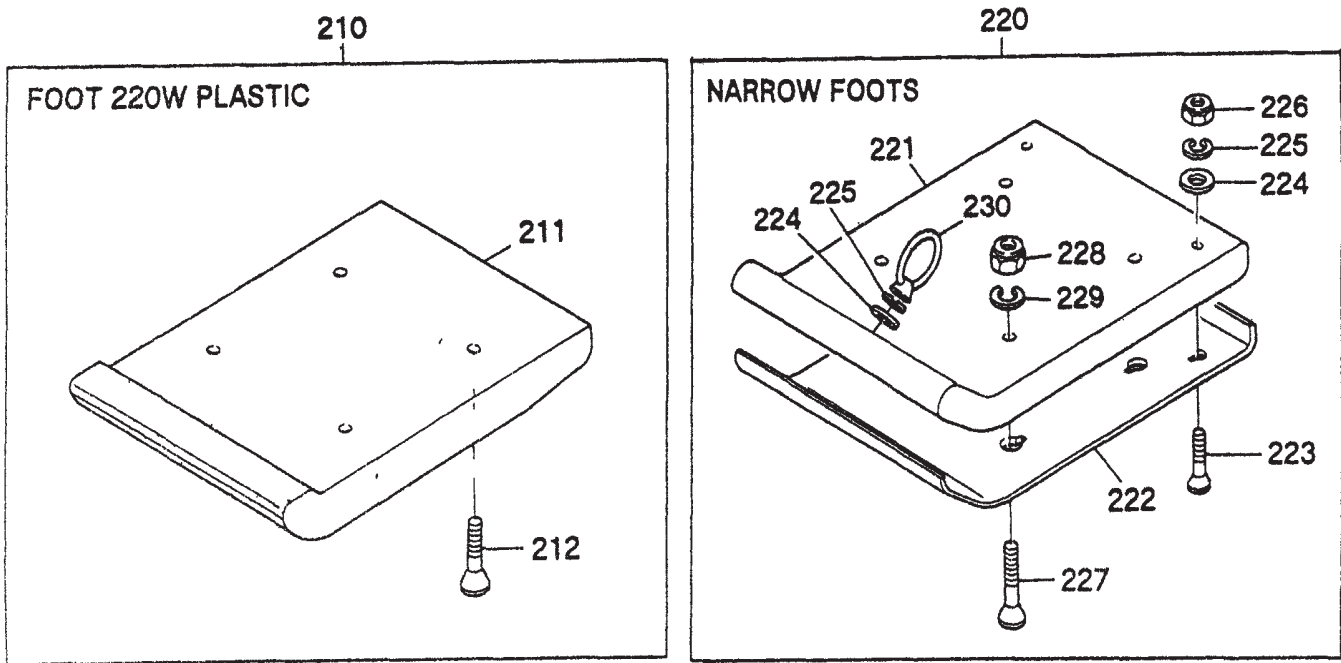
MT-62HS — TRENCH SHOE ASSY. (OPTION)

TRENCH SHOE ASSY. (OPTION)

<u>NO.</u>	<u>PART NO.</u>	<u>PART NAME</u>	<u>QTY.</u>	<u>REMARKS</u>
A	351910200	FOOT ASSY. W/STRUT 114W- 340H		INCLUDES ITEMS W/*
A	351910210	FOOT ASSY. W/STRUT 170W- 340H		INCLUDES ITEMS W/*
A	351910110	FOOT ASSY. W/STRUT 150W		INCLUDES ITEMS W/*
B*	351910220	FOOT ASSY. 114W, FOR STRUT		INCLUDES ITEMS W/#
B*	301910130	FOOT ASSY. 150W, FOR STRUT		INCLUDES ITEMS W/#
B*	351910230	FOOT ASSY. 170W, FOR STRUT		INCLUDES ITEMS W/#
1*#	351327020	METAL SHEET 114, FOR STRUT	1	
1*#	351205710	METAL SHEET 150, FOR STRUT	1	
1*#	351327040	METAL SHEET 170, FOR STRUT	1	
2*#	351327050	FOOT 114W, FOR STRUT	1	
2*#	351206700	FOOT 150W / FOR STRUT	1	
2*#	351327070	FOOT 170W, FOR STRUT	1	
3*#	001611052	SUNK HEAD BOLT 10X60 H	6	
4*#	022711012	NYLON NUT M10	6	
5*#	030210250	WASHER, LOCK M106	6	
6*#	301010540	WASHER 11X34X3.2	6	
7*#	001611254	SUNK HEAD BOLT 12X70 H	4	
8*#	022711214	NYLON NUT M12	4	
9*#	030212300	WASHER, LOCK M12	4	
10*	351105241	STRUT 305H	1	
11*	001211240	BOLT 12X40 H	4	
12*	022711214	NYLON NUT M12	4	
13*	030212300	WASHER, LOCK M12	4	

MT-62HS — NARROW FOOT ASSY. (OPTION)

NARROW FOOT ASSY. (OPTION)



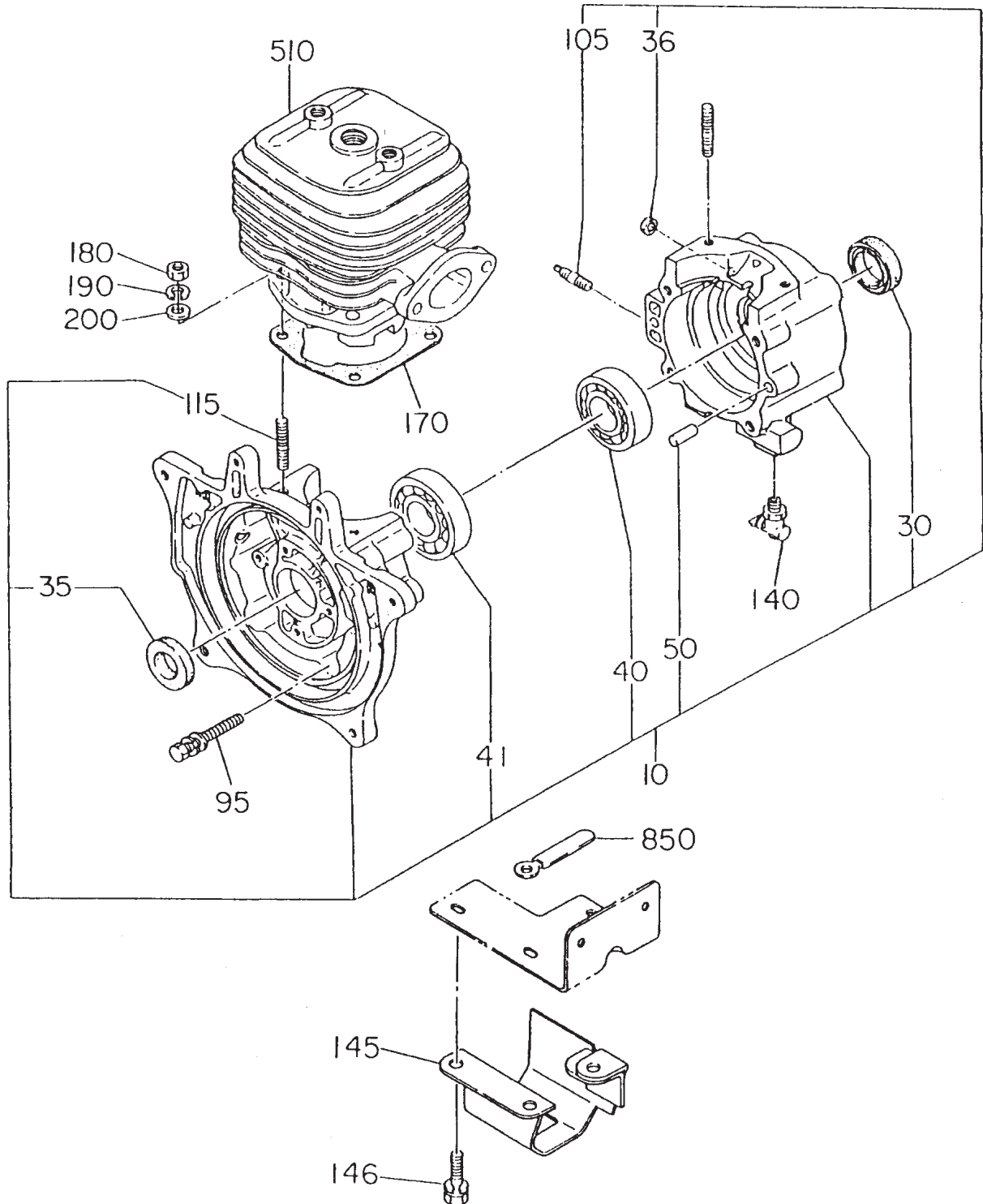
MT-62HS — NARROW FOOT ASSY. (OPTION)

NARROW FOOT ASSY. (OPTION)

<u>NO.</u>	<u>PART NO.</u>	<u>PART NAME</u>	<u>QTY.</u>	<u>REMARKS</u>
210	351910270	FOOT ASSY., PLASTIC	1	INCLUDES ITEMS W/*
211*	351323750	FOOT 220W, PLASTIC	1	
212*	001611256	SUNK HEAD BOLT 12X80 H	4	
220	351910140	NARROW FOOT ASSY. 170W	1	INCLUDES ITEMS W/#
220	351910150	NARROW FOOT ASSY. 200W	1	INCLUDES ITEMS W/#
220	351910160	NARROW FOOT ASSY. 220W	1	INCLUDES ITEMS W/#
221#	351324240	NARROW FOOT 170W	1	
221#	351324250	NARROW FOOT 200W	1	
221#	351324260	NARROW FOOT 220W	1	
222#	351324270	METAL SHEET 170W	1	
222#	351324280	METAL SHEET 200W	1	
222#	351324290	METAL SHEET 220W	1	
223#	001611051	SUNK HEAD BOLT 10X55 H	5	
224#	301010540	WASHER, FLAT 11X34X3.2	5	
225#	030210250	WASHER, LOCK M10	5	
226#	022711012	NYLON NUT M10	4	
227#	001611253	SUNK HEAD BOLT 12X65 H	4	
228#	022711214	NYLON NUT M12	4	
229#	030212300	WASHER, LOCK M12	4	
230#	959010413	EYE NUT M10	1	

ROBIN EC-08HS ENGINE — CRANKCASE AND CYLINDER ASSY.

CRANKCASE AND CYLINDER ASSY.



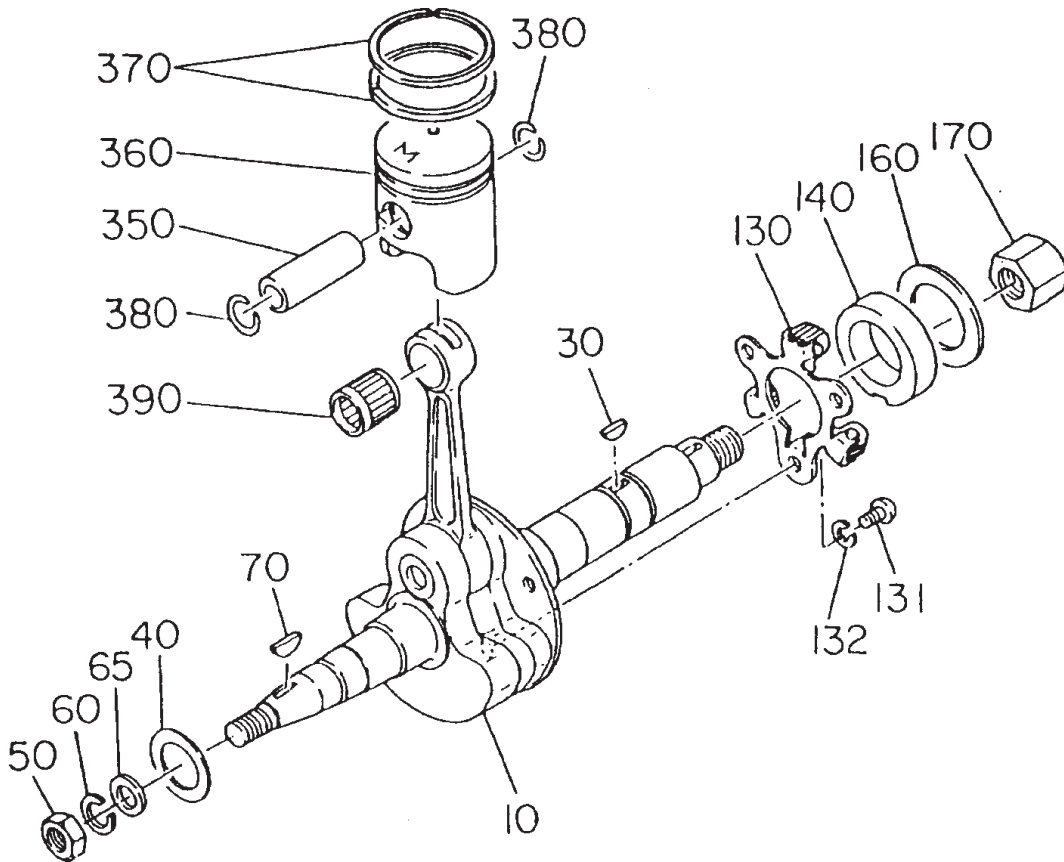
ROBIN EC-08HS ENGINE — CRANKCASE AND CYLINDER ASSY.

CRANKCASE AND CYLINDER ASSY.

<u>NO</u>	<u>PART NO</u>	<u>PART NAME</u>	<u>QTY.</u>	<u>REMARKS</u>
10	5801056000	CRANK CASE CP	1	INCLUDES ITEMS W/*
30*	0440200020	OIL SEAL	1	
35*	0440200020	OIL SEAL	1	
36*	0440060010	OIL SEAL	1	
40*	0600200010	BALL BEARING 6004C3	1	
41*	0600200020	BALL BEARING 6204C3	1	
50*	0052606140	DOWEL PIN	2	
95	0011406450	BOLT ASSY	4	
105*	0105060050	STUD	1	
115*	0105064940	STUD	4	
140	0643000101	DRAIN COCK	1	REPLACES 0643109980
145	5809501600	PROTECTOR COMP.	1	REPLACES 5809011000
146	0011308180	BOLT AND WASHER ASSY	3	
170	5801501800	GASKET, CYLINDER	1	
180	0021706000	NUT	4	REPLACES 0021806000
190	030206150	SPRING WASHER	4	REPLACES 0032006000
200	0031006000	WASHER	4	
510	5801501400	CYLINDER CP	1	
850	1507520103	CLAMP	1	REPLACES 0566099950

ROBIN EC-08HS ENGINE — CRANKSHAFT AND PISTON ASSY.

CRANKSHAFT AND PISTON ASSY.



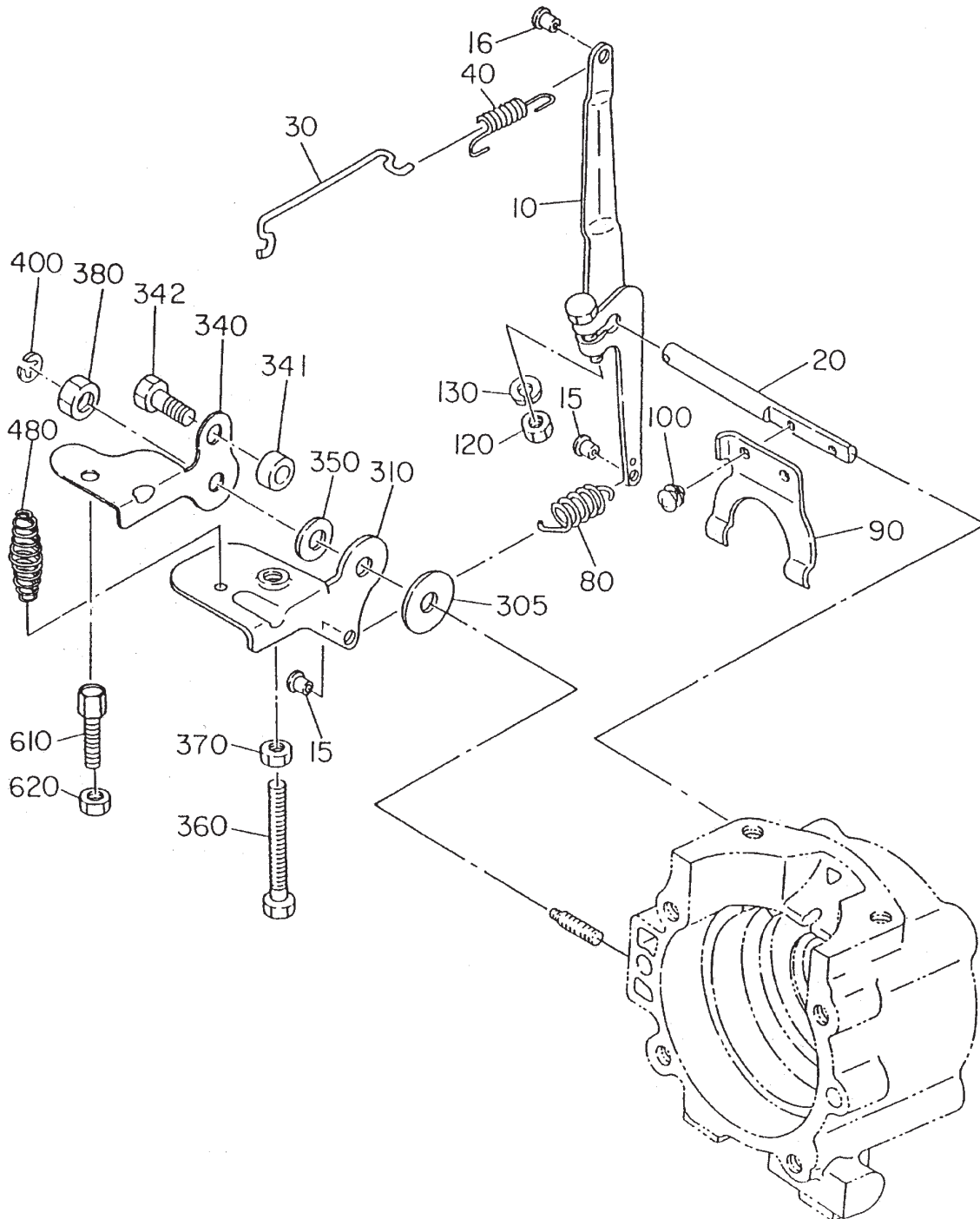
ROBIN EC-08HS ENGINE — CRANKSHAFT AND PISTON ASSY.

CRANKSHAFT AND PISTON ASSY.

<u>NO</u>	<u>PART NO</u>	<u>PART NAME</u>	<u>QTY.</u>	<u>REMARKS</u>
10	5802028000	CRANK SHAFT	1	
30	0323049950	WOODRUFF KEY	1	
40	1292500103	SPACER	2	
50	0039310000	NUT	1	REPLACES 0021810000
60	030210250	SPRING WASHER	1	REPLACES 0032010000
65	030206150	WASHER	1	REPLACES 0031010000
70	0053204201	WOODRUFF KEY	1	REPLACES 0323049950
130	5804010000	PLATE, GOVERNOR	1	
131	0131050020	SCREW (PAN HEAD)	3	REPLACES 0043105080
132	0032005000	SPRING WASHER	3	
140	5514500100	GOVERNOR SLEEVE	1	
160	0230230020	SPACER	1	
170	0173120010	LOCK NUT	1	
350	5802500700	PISTON PIN	1	REPLACES 5802500400
360	5802500600	PISTON	1	
370	5802023000	PISTON RING SET	1	REPLACES 5000008100
380	0565119990	CLIP	2	
390	0610120010	NEEDLE BEARING	1	

ROBIN EC-08HS ENGINE — GOVERNOR ASSY.

GOVERNOR ASSY.



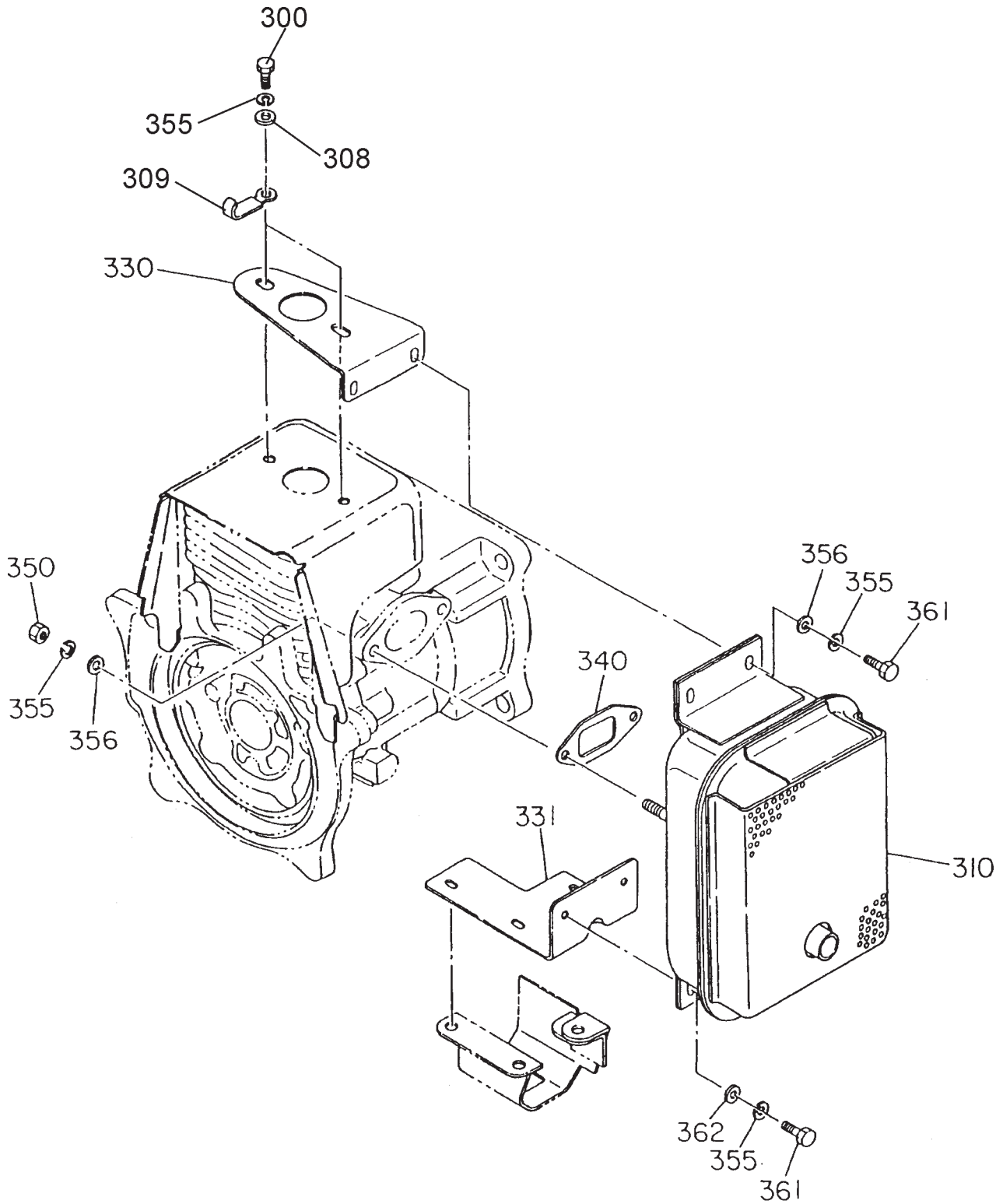
ROBIN EC-08HS ENGINE — GOVERNOR ASSY.

GOVERNOR ASSY.

<u>NO</u>	<u>PART NO</u>	<u>PART NAME</u>	<u>QTY.</u>	<u>REMARKS</u>
10	5804005000	GOVERNOR LEVER	1	
15	5804500900	BUSH	2	
16	2266255008	BUSH, NYLON	1	REPLACES 5806083060
20	1294220103	GOVERNOR SHAFT	1	
30	1054270111	GOVERNOR ROD	1	
40	1064280113	ROD SPRING	1	REPLACES 1064280111
80	1294250111	GOVERNOR SPRING	1	
90	1294210113	GOVERNOR YOKE	1	
100	0140039980	SCREW ASSY	2	
120	57028	NUT	1	REPLACES 0021706000
130	030206150	SPRING WASHER	1	REPLACES 0032006000
305	0217060020	FRICTION WASHER	1	
310	5804500800	CONTROL LEVER	1	
340	5804500600	STOP PLATE	1	
341	0230060090	SPACER	1	
342	0105050616	BOLT	1	REPLACES 6202500400
350	0200070010	WASHER	1	
360	0016506400	BOLT	1	
370	57028	NUT	1	REPLACES 0021706000
380	0170069960	U NUT	1	
400	1294500103	CLIP	1	
480	402010110	COIL SPRING	1	REPLACES 0830000010
610	0149060040	ADJUSTING SCREW	1	REPLACES 0149069981
620	020106050	NUT	1	REPLACES 0022706000

ROBIN EC-08HS ENGINE — MUFFLER ASSY.

MUFFLER ASSY.



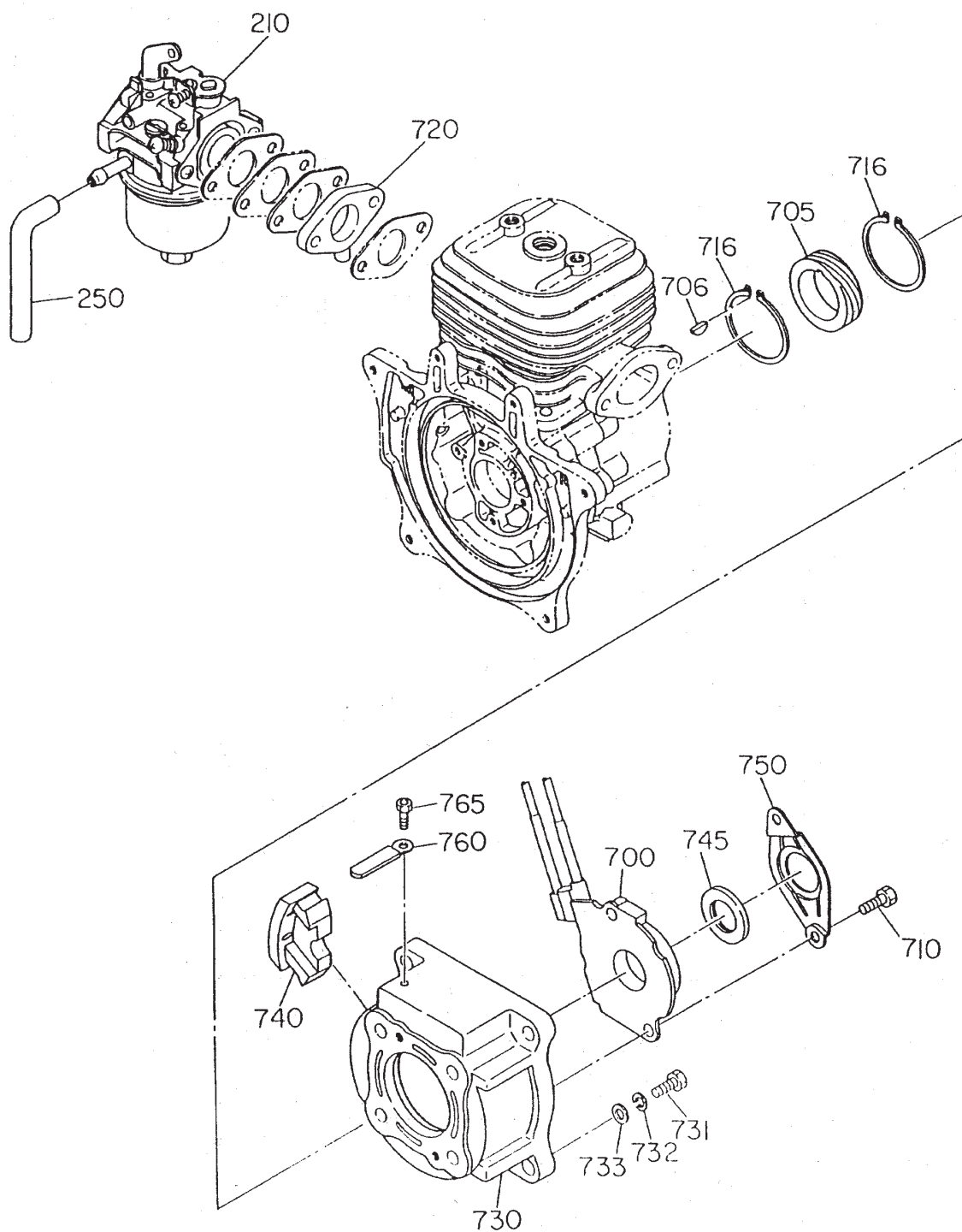
ROBIN EC-08HS ENGINE — MUFFLER ASSY.

MUFFLER ASSY.

<u>NO</u>	<u>PART NO</u>	<u>PART NAME</u>	<u>QTY.</u>	<u>REMARKS</u>
300	0016706200	MUFFLER	2	
308	0031206000	WASHER, FLAT	2	
309	0566099950	CLAMP	1	
310	5803032000	MUFFLER	1	
330	5803033000	MUFFLER BRACKET A	1	
331	5803034000	MUFFLER BRACKET B	1	
340	1293500403	GASKET (MUFFLER)	1	
350	0170069960	U-NUT	2	
355	030206150	SPRING WASHER	7REPLACES 0032006000
356	0031006000	WASHER	4	
361	0016706160	BOLT (MUFFLER)	4	
362	0031006000	WASHER	2	

ROBIN EC-08HS ENGINE — CARBURETOR AND OIL PUMP ASSY.

CARBURETOR AND OIL PUMP ASSY.



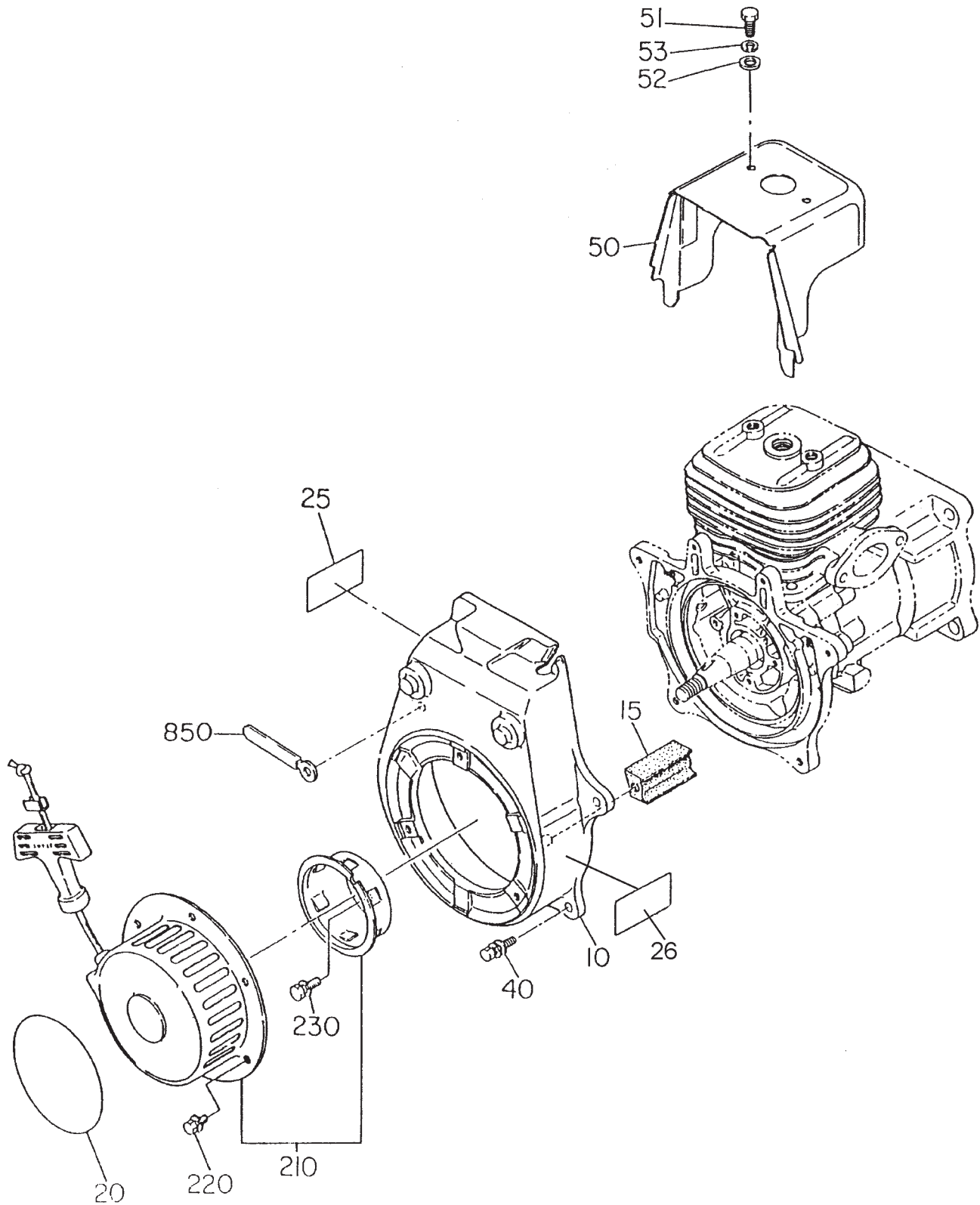
ROBIN EC-08HS ENGINE — CARBURETOR AND OIL PUMP ASSY.

CARBURETOR AND OIL PUMP ASSY.

NO	PART NO	PART NAME	QTY.	REMARKS
210	5806111000	CARBURETOR ASSY	1	SEE CARBURETOR FIG. FOR COMPONENTS
250	1616235308	HOSE	1	
700	5806113000	OIL PUMP ASSY	1	
705	5806502300	WORM GEAR	1	
706	0323039980	WOODRUFF KEY	1	
710	0011306250	BOLT AND WASHER ASSY	2	
716	0031520000	SNAP RING, OUTER	2	
720	1616350101	COLLAR CP (OIL INJ.)	1	
730	5806501900	OIL PUMP HOUSING	1	
731	0119089970	SOCKET HEAD BOLT	4	
732	030208200	SPRING WASHER	4	REPLACES 0032008000
733	0031008000	WASHER	4	
740	5806502000	GROMMET	1	
745	5806502100	SEAL	1	
750	5806502200	PLATE	1	
760	0566059980	CLAMP	1	
765	0119059610	SOCKET HEAD BOLT		

ROBIN EC-08HS ENGINE — RECOIL STARTER AND BLOWER ASSY.

RECOIL STARTER AND BLOWER ASSY.



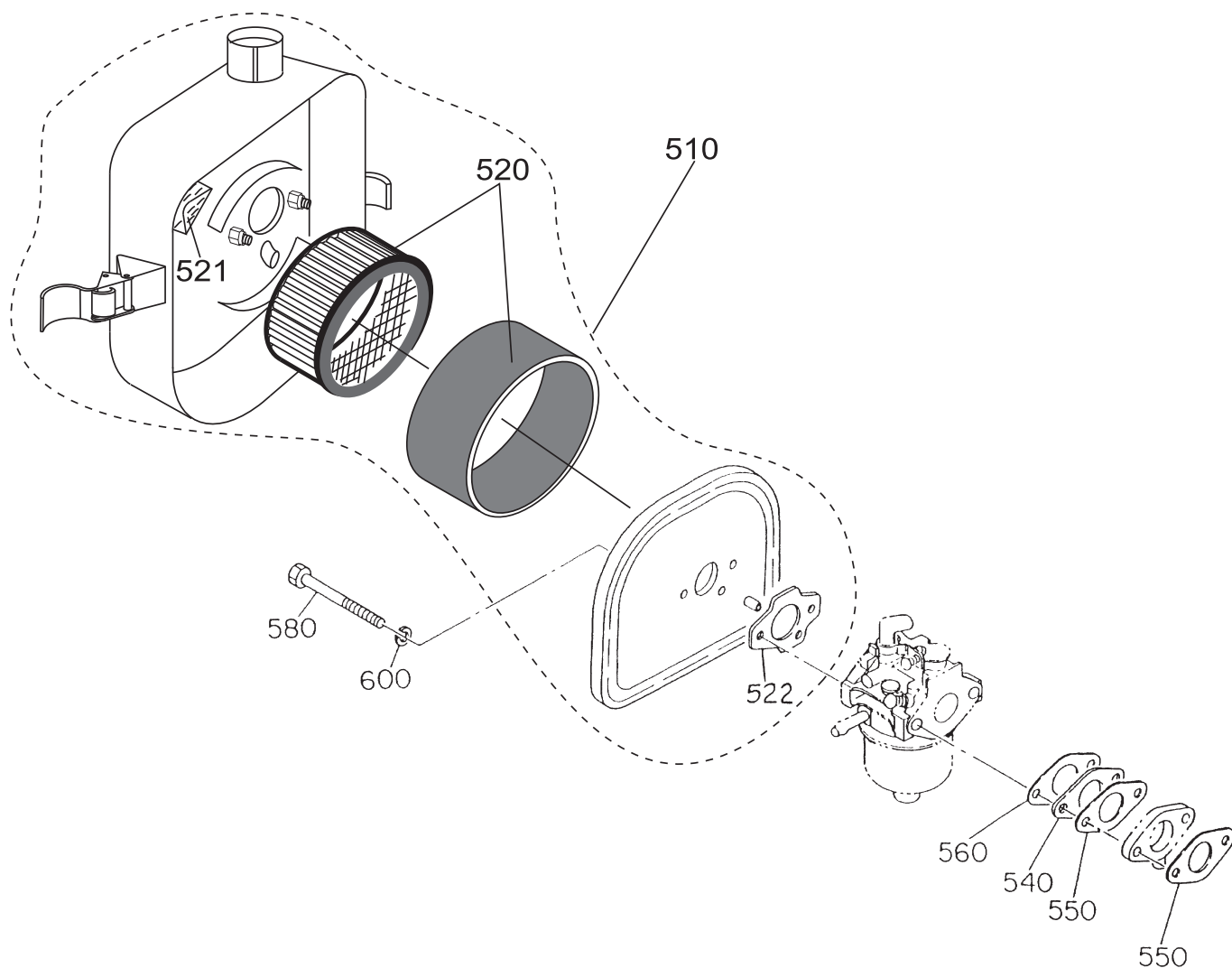
ROBIN EC-08HS ENGINE — RECOIL STARTER AND BLOWER ASSY.

RECOIL STARTER AND BLOWER ASSY.

<u>NO</u>	<u>PART NO</u>	<u>PART NAME</u>	<u>QTY.</u>	<u>REMARKS</u>
10	5805501200	FAN COVER	1	
15	5515500200	GUIDE RUBBER	1	
20	920100240	DECAL, (M-MARK)	1	
25	5809503800	LABEL, ENGINE	1	
26	5809500501	LABEL, MODEL	1	
40	0011106200	BOLT ASSY	4	
50	5805022000	CYLINDER COVER CP	1	
51	011206020	BOLT (CYLINDER)	2	REPLACES 0016706200
52	0031206000	WASHER	2	
53	030206150	SPRING WASHER	2	REPLACES 0032006000
210	5805001000	RECOIL STARTER ASSY	1	SEE RECOIL STARTER FIG. FOR COMPONENTS' REPLACES 5805011001
220	0011006100	BOLT AND WASHER ASSY	3	
230	0011006140	BOLT ASSY	2	
850	0566000250	CLAMP	2	

ROBIN EC-08HS ENGINE — AIR CLEANER ASSY.

AIR CLEANER ASSY.



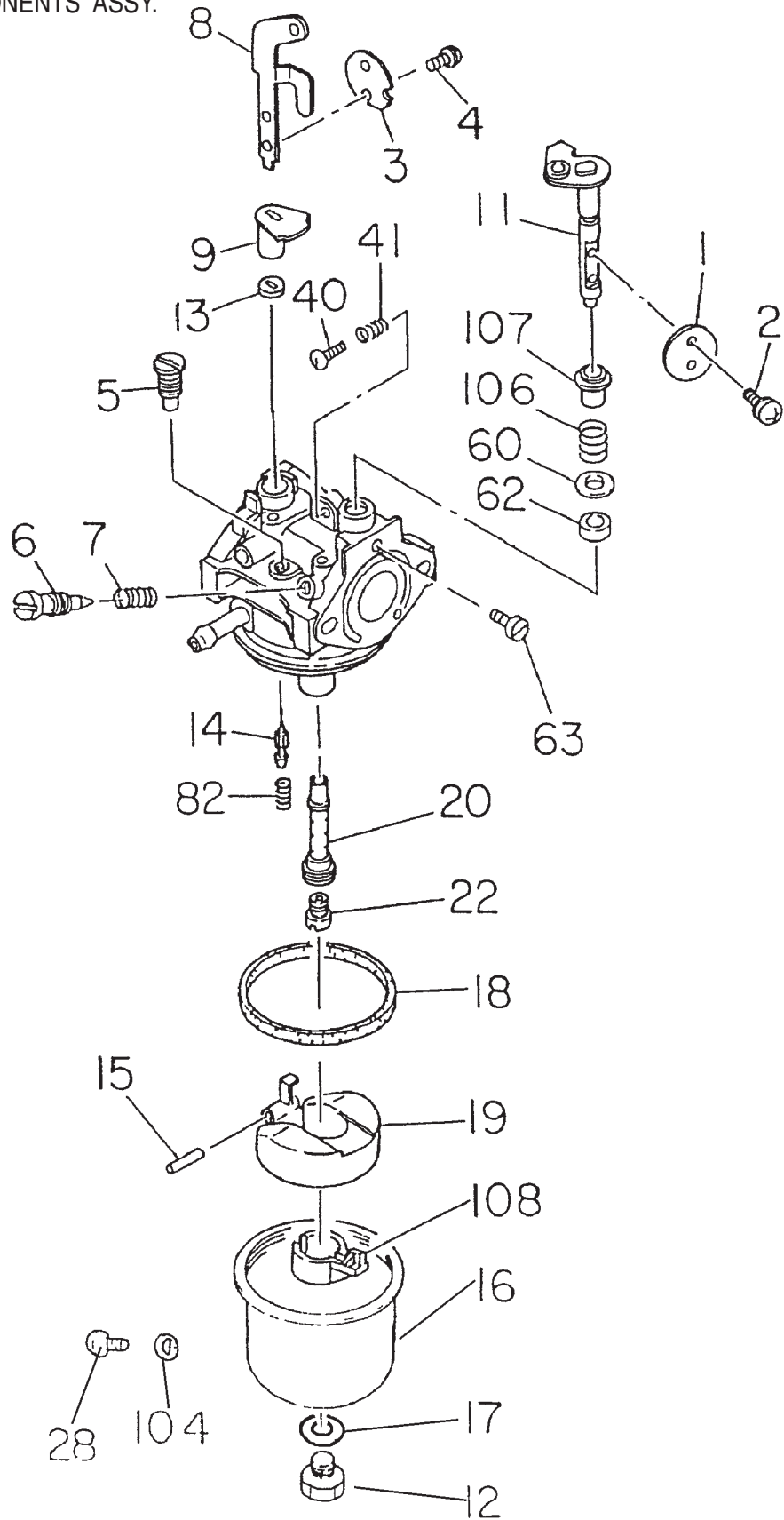
ROBIN EC-08HS ENGINE — AIR CLEANER ASSY.

AIR CLEANER ASSY.

<u>NO</u>	<u>PART NO</u>	<u>PART NAME</u>	<u>QTY.</u>	<u>REMARKS</u>
510	5803052000	AIR CLEANER ASSY	1	INCLUDES ITEMS W/*
520*	1573620101	ELEMENT SET	1	REPLACES 1573260007
521*	1613261008	ELEMENT	1	
522*	2263272008	GASKET (AIR CLEANER)	1	
540	1293290103	INSULATOR	1	
550	1063500103	GASKET (INSULATOR)	2	
560	2373590303	GASKET 2 (INSULATOR)	1	
580	0011306800	BOLT	2	
600	030206150	SPRING WASHER	2	REPLACES 0032006000

ROBIN EC-08HS ENGINE — CARBURETOR COMPONENTS ASSY.

CARBURETOR COMPONENTS ASSY.



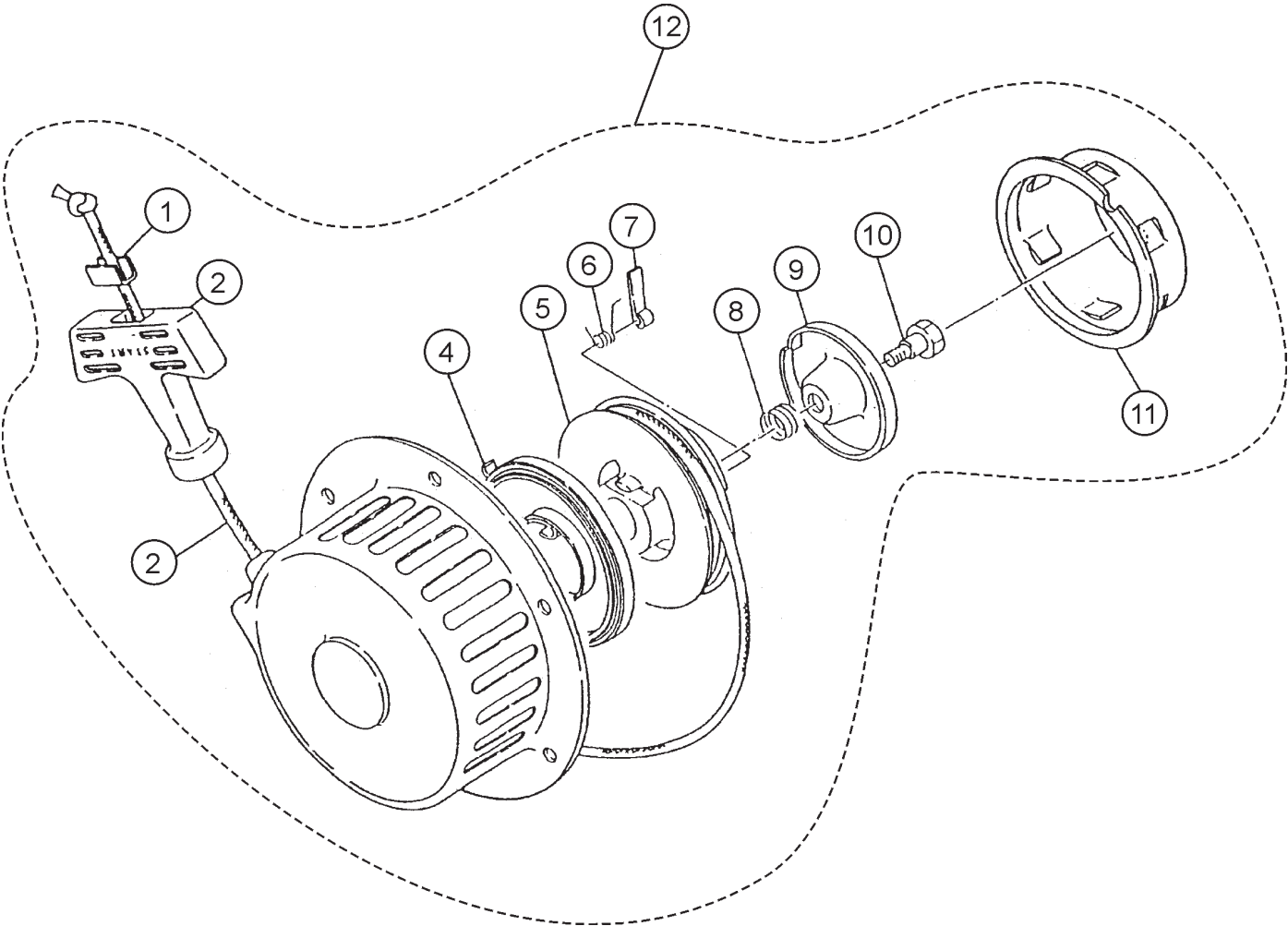
ROBIN EC-08HS ENGINE — CARBURETOR COMPONENTS ASSY.

CARBURETOR COMPONENTS ASSY.

<u>NO</u>	<u>PART NO</u>	<u>PART NAME</u>	<u>QTY.</u>	<u>REMARKS</u>
A	5806117000	CARBURETOR ASSY (EPA)	1	INCLUDES ITEMS W/*
1*	1616253508	THROTTLE VALVE	1	REPLACES 5806083110
2*	5806111010	SCREW AND WASHER ASSY	2	
3*	5806083310	CHOKE VALVE	1	
4*	5806111010	SCREW AND WASHER ASSY	2	
5*#	2076242008	PILOT JET	1	REPLACES 5606003020
6*#	2136239008	PILOT SCREW	1	REPLACES 5416002150
7*#	2096244508	SPRING	1	REPLACES 8046001230
8*	5806083040	CHOKE LEVER	1	
9*	5806083050	RING	1	
11*	5806083030	THROTTLE SHAFT ASSY	1	
12*#	5806083020	BOLT	1	
13*	5806083360	RING	1	
14*#	1616235208	NEEDLE	1	REPLACES 5806083400
15*#	2146251508	PIN	1	REPLACES 5416002050
16*	1616235008	FLOAT BODY ASSY	1	REPLACES 5806083010
17*#	2366245008	PACKING	1	REPLACES 5806083330
18*#	2366254008	PACKING	1	REPLACES 5806083340
19*#	5806083350	FLOAT	1	
20*	5806083260	MAIN NOZZLE	1	
22*#	1296240008	MAIN JET	1	REPLACES 5306011010
28*	5806083150	SCREW	1	
40*#	2366235008	SCREW	1	REPLACES 5416002230
41*#	2096244508	SPRING	1	REPLACES 8046001230
60*	5806083230	PACKING	1	REPLACES 5806083230
62*	5806083210	SEAL	1	
63*	5806083230	SCREW	1	REPLACES 5806083230
82*#	2366244508	SPRING	1	REPLACES 5806083240
104*	2366254108	PACKING	1	REPLACES 5806083320
106*	5806083140	SPRING	1	
107*	5806083120	RING	1	
108*	5806083370	FLOAT STOPPER	1	
#	KITCARBEC08H	KIT, CARBURETOR EC08HS	1	INCLUDES ITEMS W/#

ROBIN EC-08HS ENGINE — RECOIL STARTER COMPONENTS ASSY.

RECOIL STARTER COMPONENTS ASSY.



ROBIN EC-08HS ENGINE — RECOIL STARTER COMPONENTS ASSY.

RECOIL STARTER COMPONENTS ASSY.

<u>NO</u>	<u>PART NO</u>	<u>PART NAME</u>	<u>QTY.</u>	<u>REMARKS</u>
1*	5515005160	ROPE STOPPER	1	
2*	5805001030	STARTER HANDLE	1	
3*	5805011040	STARTER ROPE	1	
4*	5805004020	SPIRAL SPRING	1	
5*	5805004030	REEL	1	
6*	5805004050	RETURN SPRING	1	
7*	5805004040	RATCHET	1	
8*	5805004110	FRICTION SPRING	1	
9*	5805004120	FRICTION PLATE	1 REPLACES EC08A05038
10*	5805011020	CENTER SCREW	1	
11*	5805004140	STARTER PULLEY	1 REPLACES EC08A050311
12	5805001000	RECOIL STARTER ASSY.	1 INCLUDES ITEMS W/*

ROBIN EC-08HS ENGINE — MAGNETO ASSY.

MAGNETO ASSY.



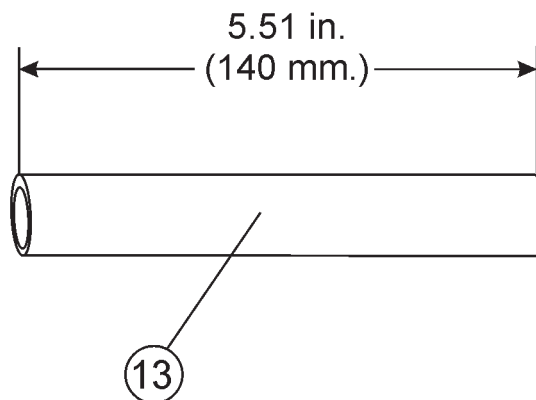
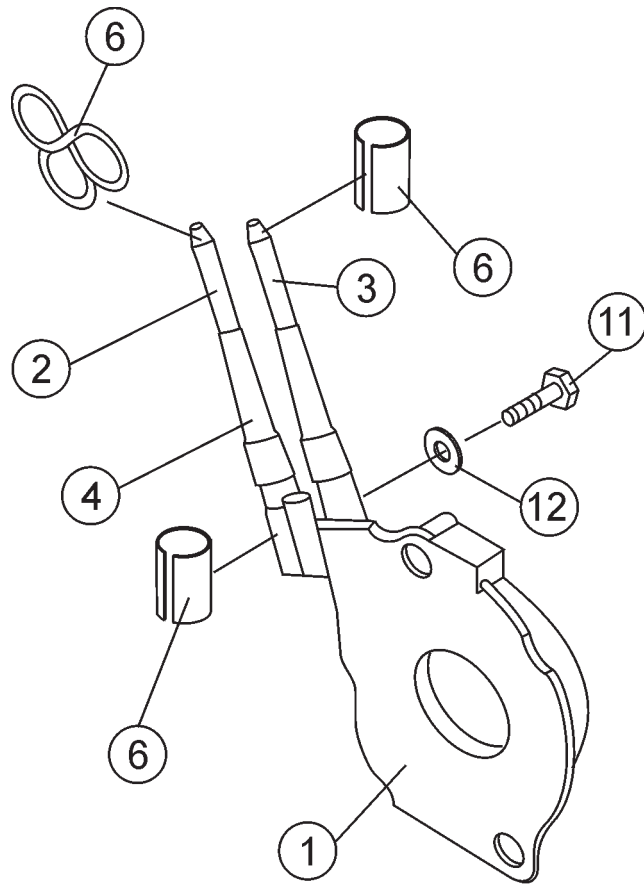
ROBIN EC-08HS ENGINE — MAGNETO ASSY.

MAGNETO ASSY.

<u>NO.</u>	<u>PART NO.</u>	<u>PART NAME</u>	<u>QTY.</u>	<u>REMARKS</u>
10	5807005010	FLYWHEEL	1	
11	5807007020	IGNITION COIL	1	
18	0851029960	VINYL PIPE	1	
30	0011105250	BOLT AND WASHER ASSY	2	
40	1507520103	CLAMP	1REPLACES 0566099950
60	0660000361	STOP SWITCH ASSY (ON-OFF)	1	
70	0043304100	SCREW 4X10	2	
81	0241069980	GROMMET	1	
95	0659000010	SPARK PLUG CLIP	1REPLACES 0655000100
100	0650140031	SPARK PLUG	1REPLACES 00650149730
110	0655000140	SPARK PLUG CAP	1	

ROBIN EC-08HS ENGINE — OIL PUMP ASSY.

OIL PUMP ASSY.



ROBIN EC-08HS ENGINE — OIL PUMP ASSY.

OIL PUMP ASSY.

<u>NO.</u>	<u>PART NO.</u>	<u>PART NAME</u>	<u>QTY.</u>	<u>REMARKS</u>
1	5806113000	OIL PUMP ASSY.	1	
2	5806113020	OIL HOSE	1	
3	5806113030	OIL HOSE	1	
4	5806113040	PROTECTOR	1	
6	1616391608	CLIP	3	
7	1616391008	CLIP	1REPLACES 0566099950
11	2266235408	SCREW	1	
12	1616391909	PACKING	1	
13	5806113140	PROTECTOR	1	