

DIAGRAM 1 -TILE MASTER XL (Dec 7, 1999)

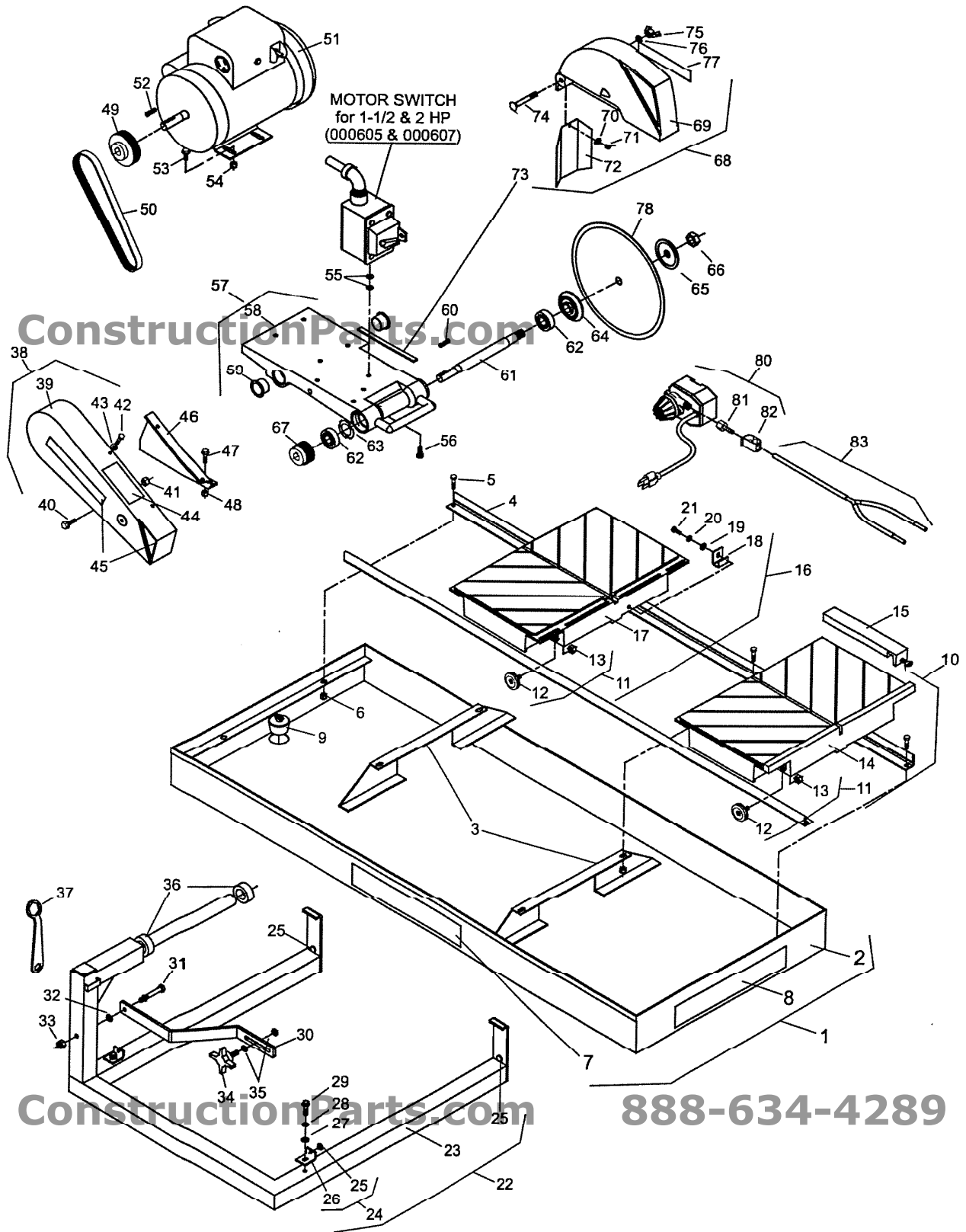


DIAGRAM 1 – TILE MASTER XL PARTS LIST (12/7/99)

| DIAG. LOC. | PART NO. | QTY. REQ. | DESCRIPTION | DIAG. LOC. | PART NO. | QTY. REQ. | DESCRIPTION |
|------------|----------|-----------|--|------------|----------|-----------|---|
| 1 | 169746 | 1 | Pan Assy, Black (Includes 2 – 9) | 51 | 169363 | 1 | Motor Assy 1.5 HP-HT 1725 115V/60 |
| 2 | 161740 | 1 | Pan, Black | | | | (169422 w/ Fasteners & Decals) |
| 3 | 051068 | 2 | Rail Support | [51] | 161705 | 1 | Motor Assy 1.5 HP 3450 115/230V/60 |
| 4 | 161680 | 2 | Rail (Standard) | | | | (000605 w/ Fasteners & Decals) |
| 5 | 020370 | 8 | Capscrew, Hex Hd., 1/4" - 20 x 3/4" | [51] | 161703 | 1 | Motor Assy 2HP 2850 240V/50 |
| 6 | 020195 | 8 | Locknut, Fiber, 1/4" – 20 | | | | (000607 w/ Fasteners & Decals) |
| 7 | 161459 | 2 | Decal: FELKER | | | | |
| 8 | 169265 | 1 | Decal: TILE MASTER XL | | | | |
| 9 | 030386 | 1 | Drain Plug | | 169492 | 1 | SEE WIRING DIAGRAM SECTION |
| 10 | 169573 | 1 | Conveyor Cart Assy (Includes 12 - 14) | | 000873 | 1 | Manual Reset Overload (169422) |
| 11 | 030049 | 1 | Wheels-Set of 4 (Includes 12 - 13) | | 001501 | 1 | Manual Reset Overload (000605) |
| 12 | 030822 | 4 | Cart Wheel | | 161581 | 1 | Off-On Switch (169422) |
| 13 | 032366 | 4 | Nut, KEPS 5/16" – 18 | | 032080 | 1 | Off-On Switch (000605 & 000607) |
| 14 | 169576 | 1 | Cart, Conveyor w/ V-Top | | 030141 | 1 | Switch Box Assy. (000605 & 000607) |
| 15 | 051000 | 1 | Rip Guide | | | | Voltage Change Switch (000605) |
| 16 | 161734 | 1 | Tow Cart Assy (Includes 12-13,17- 21) | 52 | 020060 | 1 | Key, 3/16" Sq. x 1" |
| 17 | 169648 | 1 | Tow Cart (V-Top) | 53 | 178825 | 1 | Flange Bolt, 5/16"-18 x 1" |
| 18 | 161682 | 1 | Cart Hook | 54 | 020197 | 4 | Locknut, Fiber, 5/16" - 18 |
| 19 | 020741 | 1 | Washer, Flat, 1/4" | 55 | 020741 | 4 | Washer, Flat, 1/4" |
| 20 | 020784 | 1 | Lockwasher, Split, 1/4" | 56 | 020489 | 2 | Screw, Sheet Metal, 1/4" - 20 x 3/4" |
| 21 | 021423 | 1 | Capscrew, Hex Hd., 1/4" - 20 x 1/2" | 57 | 169251 | 1 | Pivot Head Assy (Incls. 58-64, & 67) |
| 22 | 169747 | 1 | Frame Assy. (Includes 23 – 29) | 58 | 169776 | 1 | Motor Base |
| 23 | 161739 | 1 | Frame Weldment | 59 | 169773 | 2 | Bushing, Pivot |
| 24 | 051064 | 2 | Pan Stop Assembly (Includes 25 – 26) | 60 | 020060 | 1 | Key, 3/16" Sq. x 1" |
| 25 | 051065 | 4 | Plastic Tab | 61 | 052006 | 1 | Blade Shaft |
| 26 | 051061 | 2 | Pan Stop | | 052004 | 1 | Blade Shaft Assy. (Includes 67-72) |
| 27 | 020762 | 2 | Washer, Flat 1/4" | 62 | 071081 | 2 | Bearing |
| 28 | 020874 | 2 | Lockwasher, Split, 1/4" | 63 | 071110 | 1 | Spring Washer |
| 29 | 020489 | 2 | Screw, Hex Hd, 1/4" - 20 x 3/4" | 64 | 169522 | 1 | Inner Flange |
| 30 | 169495 | 1 | Lock Bar | 65 | 169523 | 1 | Outer Flange |
| 31 | 020318 | 1 | Capscrew, Hex Hd., 5/16" - 18 x 2-1/4" | 66 | 020176 | 1 | Nut, Hex Jam Thin 5/8" - 18 |
| 32 | 020742 | 1 | Washer, Flat, 5/16" | | | | |
| 33 | 020197 | 1 | Locknut, Fiber, 5/16" – 18 | 67 | 66822 | 1 | Pulley, Arbor: 6GJ1.75 w/ SS |
| 34 | 169486 | 1 | Knob, 5/16" – 18 x 1 | | | | (for 1.5HP, 115V/60) |
| 35 | 020742 | 2 | Washer, Flat, 5/16" | [67] | 161696 | 1 | Pulley, Arbor: 2G3V2.0 w/ SS |
| 36 | 043260 | 2 | Set Collar | | | | (for 1.5HP 115V/230/60 & 2HP 240V/50) |
| 37 | 161641 | 1 | Wrench | | | | |
| 38 | 169744 | 1 | Belt Guard Assy. (Includes 39 – 45) | 68 | 169333 | 1 | Blade Guard Assy. (Incl. 70-78) |
| 39 | 171013 | 1 | Belt Guard | 69 | 169548 | 1 | Blade Guard |
| 40 | 178825 | 1 | Flange Bolt, 5/16"-18 x 1" | 70 | 020739 | 1 | Washer, Flat, #10 |
| 41 | 020197 | 1 | Locknut, Fiber, 5/16" – 18 | 71 | 169366 | 1 | Screw, Self-Tapping, #8 x 3/8" |
| 42 | 021423 | 2 | Capscrew, Hex Hd., 1/4" - 20 x 1/2" | 72 | 169365 | 1 | Splash Flap |
| 43 | 020762 | 2 | Washer, Flat, SAE 1/4" | 73 | 163248 | 1 | Rubber Sponge Strip |
| 44 | 187043 | 1 | Decal: Warning | 74 | 020126 | 1 | Bolt, Carriage, 5/16" - 18 x 2-1/2" |
| 45 | 169281 | 1 | Decal: TILE MASTER XL | 75 | 020245 | 1 | Locknut, Wing, 5/16" - 18 |
| -- | 189027 | 1 | Decal: FELKER (Corner) | 76 | 020763 | 1 | Washer, Flat 5/16" SAE |
| | | | | 77 | 169281 | 1 | Decal: TILE MASTER XL |
| 46 | 169499 | 1 | Belt Guard Bracket | 78 | 189025 | 1 | Decal: FELKER, Outside |
| 47 | 178826 | 1 | Flange Bolt, 1/4"-20 x 1" | -- | 189026 | 1 | Decal: FELKER, Inside |
| 48 | 020195 | 2 | Locknut, Fiber, 1/4" – 20 | | | | |
| 49 | 172101 | 1 | Pulley, Motor: 6GJ2.8 w/ SS | 79 | --- | 1 | Blade – 10", FELKER |
| | | | (for 1.5HP, 115V/60) | | | | |
| [49] | 030906 | 1 | Pulley, Motor: 6G3V2.25 w/ SS | 80 | | | Water Pump Assy (Includes 81 – 83) |
| | | | (for 1.5HP, 115V/230/60) | [80] | 050218 | 1 | Water Pump Assy, G100, 115V/60 |
| 50 | 58964 | 1 | Poly-V Belt, 280J6 (for 115V/60) | [80] | 161316 | 1 | Water Pump Assy, G300, 115V/60 |
| [50] | 139612 | 1 | V-Belt, 3VX280 (Set of 2), | [80] | 050216 | 1 | Water Pump Assy, G300, 230V/50 |
| | | | (for 1.5HP 115/230V/60 & 2HP 240V/50) | 81 | 197237 | 1 | Hose Barb 1/4" NPT x 1/4" |
| | | | | 82 | 161134 | 1 | Valve, Tubing Control |
| | | | | 83 | 169564 | 1 | Water Tube Assy: 1/4"Y x 72" |