

BE

LOG SPLITTER



BE-LS22TB3PT

USER MANUAL

BEPOWEREQUIPMENT

.COM



TABLE OF CONTENTS

Introduction

- 4** Using the Operator's Manual

Product Identification

- 5** Record Identification Numbers
- 6** Receipt and Inspection

Safety

- 7** Safety Instructions
- 7** Hazard Symbols and Meanings
- 9** Training Safety
- 10** Preoperation Safety
- 11** Operation Safety
- 12** Operator Zone
- 13** Maintenance Safety
- 14** Transportation Safety

Assembly

- 15** Unpacking
- 16** Assembling
- 21** Features

Operation

- 22** Know Your Tractor
- 22** Operating Positions
- 23** Lubricate Beam and Wedge
- 23** Using Control Handle
- 24** Splitting the Wood
- 25** Removing Partially Split Wood
- 25** Operation Tips



Maintenance

- 26** Beam and Splitting Wedge
- 26** Moving Around
- 26** Off-Season Storage

Troubleshooting

- 28** Troubleshooting Chart

Specifications

- 29** Technical Specs

Diagram

- 30** Diagram

Parts List

- 31** Parts List



INTRODUCTION



Attention: Read through the complete manual prior to the initial use of your compressor.

Using the Operator's manual

Thank you for purchasing a BE Log Splitter. Your machine is designed for long life, dependability, and the top performance you demand! Please take time now to read through this manual so you better understand the machine's operation, maintenance and safety precautions.

Everyone who operates this machine must read and understand this manual. The time you take now will prolong your machine's life and prepare you for its safe operation. Enjoy the exceptional performance of your BE Log Splitter, the industry leader!

The manufacturer reserves the right to make improvements in design and/or changes in specifications at any time without incurring any obligation to install them on units previously sold.



Record Identification Numbers

LOG SPLITTER

If you need to contact an Authorized Dealer or Customer Service line (1-866-850-6662) for information on servicing, always provide the product model and identification numbers.

You will need to locate the model and serial number for the machine and record the information in the places provided below.

Date of Purchase:

Dealer Name:

Dealer Phone:

Product Identification Numbers

Model Number:

Serial Number:



Receipt and Inspection

Before signing the delivery receipt, inspect for damage and missing parts. If damage or missing parts are apparent, make the appropriate notation on the delivery receipt, then sign the receipt. Immediately contact the carrier for an inspection. All material must be held in the receiving location for the carrier's inspection. Delivery receipts that have been signed without a notation of damage or missing parts are considered to be delivered "clear." Subsequent claims are then considered to be concealed damage claims. Settle damage claims directly with the transportation company.

If you discover damage after receiving the air compressor (concealed damage), the carrier must be notified within 15 days of receipt and an inspection must be requested by telephone with confirmation in writing. On concealed damage claims, the burden of establishing that the compressor was damaged in transit reverts back to the claimant.

Read the compressor nameplate to verify it is the model ordered, and read the motor nameplate to verify it is compatible with your electrical conditions. Make sure electrical enclosures and components are appropriate.

Save these Instructions

SAFETY RULES



This is the safety alert symbol. It is used to alert you to potential personal injury hazards. Obey all safety messages that follow this symbol to avoid possible injury or death.

The safety alert symbol (▲) is used with a signal word (DANGER, CAUTION, WARNING), a pictorial and/or a safety message to alert you to hazards.













DANGER WILL cause DEATH, SEVERE INJURY or substantial property damage.

WARNING CAN cause DEATH, SEVERE INJURY or substantial property damage.










CAUTION WILL or CAN cause MINOR INJURY or property damage.

NOTICE indicates a situation that could result in equipment damage. Follow safety messages to avoid or reduce the risk of injury or death.

Hazard Symbols and Meanings

			
EXPLOSION	FIRE	ELECTRIC SHOCK	TOXIC FUMES
			
KICKBACK	HOT SURFACE	WEAR EYE PROTECTION	SLIPPERY
			
FALL	FLUID INJECTION	MOVING PARTS	READ MANUAL

This page depicts and describes safety symbols that may appear on this product. Read, understand, and follow all instructions on the machine before attempting to assemble and operate.

Symbol	Description
	READ THE OPERATOR'S MANUAL(S) Read, understand, and follow all instructions in the manual(s) before attempting to assemble and operate.
	FACE PROTECTION Always wear safety goggles or safety glasses with side shields, earplugs and a face shield when operating this product.
	WARNING— MOVING WEDGE Keep hands away from wedge, moving part, end plate, and partially split wood.
	BYSTANDERS Keep bystanders, helpers and children at least 25 feet away.
	SINGLE OPERATOR Only one person should operate the machine at a time. The adult who loads and stabilizes the log must be the person who operates control handle.
	WARNING— PRESSURIZED FLUID Never check for hose leaks with your hands. High pressure fluid can escape through a pin hole leak and cause serious injury by puncturing the skin and causing blood poisoning.
	WEAR GLOVES Always wear nonslip, heavy-duty protective gloves when operating this product.
	WEAR SAFETY FOOTWEAR Always wear nonslip steel-toed safety footwear when operating this product.
	WARNING— CARBON MONOXIDE Never run the splitter on tractor indoors or in a poorly ventilated area. Tractor engine exhaust contains carbon monoxide, an odorless and deadly gas.

TRAINING SAFETY

1. Read, understand, and follow all instructions on the machine and in the manual(s) before attempting to assemble and operate. Keep this manual in a safe place for future and regular reference and for ordering replacement parts.
2. Be familiar with all controls and their proper operation. Know how to stop the machine and disengage them quickly.
3. Never allow children under 18 years of age to operate this machine. Children 16 and over should read and understand the instructions and safe operation practices in this manual and on the machine and be trained and supervised by an adult.
4. Never allow adults to operate this machine without proper instruction.
5. Many accidents occur when more than one person operates the machine. No helper is allowed to assist in stacking logs.
6. Keep bystanders, pets, and children at least 25 feet from the machine while it is in operation.
7. Never allow anyone to ride on this machine.
8. Never transport cargo on this machine.
9. Hydraulic log splitters develop high fluid pressures during operation. Fluid escaping through a pin hole opening can penetrate your skin and cause blood poisoning, gangrene, or death. Give attention to the following instructions at all times:
 - a. Do not check for leaks with your hand.
 - b. Do not operate machine with frayed, kinked, cracked, or damaged hoses, fittings, or tubing.
 - c. Stop the engine and relieve hydraulic system pressure by cycling the valve control lever from forward to reverse several times while engine is not running; returning to neutral before repairing or adjusting fittings, hoses, tubing, or other system components.
 - d. Do not adjust the pressure settings of the pump or valve.
10. Leaks can be detected by passing cardboard or wood, while wearing protective gloves and safety glasses, over the suspected area. Look for discoloration of cardboard or wood.
11. If injured by escaping fluid, see a doctor immediately. Serious infection or reaction can develop if proper medical treatment is not administered immediately.
12. Keep the operator zone and adjacent area clear for safe, secure footing.
13. Do not operate the log splitter on tractor in an enclosed area. Exhaust fumes from the tractor engine contains carbon monoxide which can be harmful or deadly when inhaled.

 **WARNING**

- NEVER use this log splitter for any purpose other than splitting wood. It is designed for this use only. Any other use can cause serious injury or death.

PREOPERATION SAFETY

1. BEFORE operating this log splitter, make sure that you wear safety gear such as goggles or safety glasses, steel toed shoes and tight fitting gloves (without loose cuffs or draw strings). Always wear a protective hearing device when operating this log splitter.
2. NEVER wear loose clothing or jewelry that can be caught by moving parts of the log splitter. Keep clothing and hair away from all moving parts when operating this log splitter.
3. Check all safety guards and shields to be sure they are in the proper position. Never operate with safety guards, shields, or other protective features removed.
4. Make sure machine is on a flat, dry, solid ground before operating.
5. ALWAYS operate your log splitter in an open area. (Exhaust fumes contain carbon monoxide which can be deadly when inhaled.)
6. ALWAYS operate your log splitter in daylight or under good artificial light.
7. ALWAYS operate your log splitter on level ground. (Operating on a slope could cause the log splitter to roll over or logs to fall off.)
8. ALWAYS lock beam in either the horizontal or vertical position.
9. ALWAYS keep the work area clean. Remove split wood around the log splitter immediately so that you don't stumble over it.
10. Check all nuts, bolts and hydraulic fittings are tight to be sure the equipment is in a safe working condition.
11. Both ends of the log should be cut as square as possible to help prevent the log from riding out of the splitter during operation. Do not split logs greater than 25 inches in length. Uneven logs (e.g. knotted, curved, etc.) should not be used.
12. Do not allow familiarity with tools to make you careless. Remember that a careless fraction of a second is sufficient to inflict serious injury.

 **WARNING**

- The operation of any power tool can result in foreign objects being thrown into your eyes, which can result in severe eye damage. Before beginning power tool operation, always wear safety goggles or safety glasses with side shields and, when needed, wear a full face shield and earplugs. We recommend a Wide Vision Safety Mask for use over eyeglasses or standard safety glasses with side shields. Always use eye protection which is marked to comply with ANSI Z87.1.

OPERATION SAFETY

1. BEFORE starting this machine, review the safe instructions in the manual. Failure to follow these rules may result in serious injury to the operator or bystanders.
2. NEVER leave this machine unattended with the engine running.
3. DO NOT operate machine while under the influence of alcohol, drugs, or medication.
4. NEVER allow anyone to operate this machine without proper instruction.
5. ALWAYS operate this machine with all safety equipment in place and working. Make sure all controls are operating properly for safe operation.
6. When loading a log, always place your hands on the side of the log, not on the ends, and never use your foot to help stabilize a log. Failure to do so, may result in crushed or amputated fingers, toes, hand, or foot.
7. NEVER use your foot, a rope or any extension device to operate the control lever on the valve. Only use hand.
8. Use only your right hand to operate the controls. **WARNING!** When stabilizing log with left hand, remove your hand when the wedge just contacts the log or serious injury may occur.
9. For logs which are not cut square, the least square end of the log should be placed toward the beam and wedge, and the square end placed toward the end plate.
10. When splitting in the vertical position, stabilize the log before moving the control handle. Split as follows:
 - a. Place log on the end plate and turn until it leans against the beam and is stable.
 - b. When splitting extra-large or uneven logs, the log must be stabilized with wooden shims or split wood placed between the log and end plate or ground
11. NEVER place hands or feet between the log and splitting wedge during forward or reverse stroke as this could result in serious injury or death. NEVER attempt to load the log splitter when the ram or wedge is in motion.
12. ALWAYS keep fingers away from any cracks that open in the log while splitting. They can quickly close and pinch or amputate your fingers.
13. Keep your work area clean. Immediately remove split wood around the machine so you do not stumble over it.
14. NEVER straddle or step over the log splitter during operation.
15. NEVER reach or bend over the log splitter to pick up a log.
16. NEVER try to split two logs on top of each other. NEVER try to cross split a log.

17. NEVER operate your log splitter when it is in poor mechanical condition or in need of repair.

WARNING

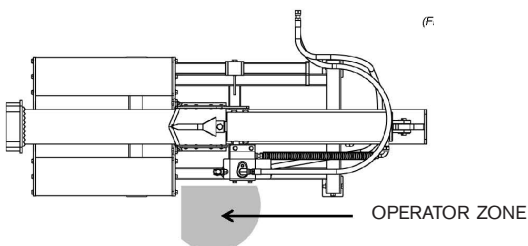
- The 3-Point Hitch Log Splitter is designed for tractors with pressure ratings that are under 3200 PSI. Exceeding the recommended pressure rating will void the warranty and damage the equipment.

OPERATOR ZONE

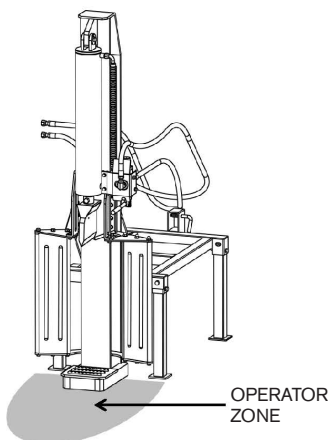
WARNING

- ONLY operate the log splitter from the operator zone as shown in the diagram. The operator has the safest and most efficient access to the control valve and the beam in this location. Failure to operate the log splitter in this position can result in serious injury or death.

Horizontal Operating Position: Stand on the control lever side of the log splitter and stabilize log as shown.



Vertical Operating Position: Stand in front of the log splitter and stabilize log as shown.



MAINTENANCE SAFETY

1. Before cleaning, inspecting or any maintenance procedure on the machine, stop the tractor engine, set the brake and remove the key, disengage hydraulic hoses, wait 10 minutes to allow all parts to cool down. NEVER perform any service or repair on your log splitter without stopping the tractor engine.
2. Stop the tractor and relieve hydraulic system pressure by cycling the valve control lever from forward to reverse several times; returning to neutral before repairing or adjusting fittings, hoses, tubing, or other system components.
3. ALWAYS perform all recommended maintenance procedures before using your log splitter.
4. ALWAYS periodically check that all nuts, bolts, screws, hydraulic fittings and hose clamps are tight to be sure equipment is in safe working condition.
5. ALWAYS replace all damaged or worn parts immediately with original equipment manufacturer's (O.E.M.) parts only. Use of parts which do not meet the original equipment specifications may lead to improper performance and compromise safety.
6. The hydraulic system of your log splitter requires careful inspection along with the mechanical parts. Be sure to replace frayed, kinked, cracked or otherwise damaged hydraulic hoses or hydraulic components.
7. NEVER check for leaks of hydraulic fluid with your hand. Fluid escaping from a small hole can be almost invisible. Escaping fluid under pressure can have sufficient force to penetrate skin causing SERIOUS INJURY or even DEATH. Leaks can be safely detected by passing a piece of cardboard over the suspected leak and looking for discoloration.
8. NEVER adjust the hydraulic valve. The pressure relief valve on your log splitter is preset at the factory. Only a qualified service technician should perform this adjustment.
9. ALWAYS seek professional medical attention immediately if injured by escaping hydraulic fluid. Serious infection or reaction can develop if proper medical treatment is not administered immediately.

**WARNING**

- NEVER alter your log splitter in any manner. Such alterations may cause your log splitter to be unsafe and will void the warranty.



TRANSPORTATION SAFETY

1. **ALWAYS** lift the Splitter to the full height of the 3-Point Hitch range carefully for safely transport.
2. **ALWAYS** shut off your tractor hydraulic controls, disengage hydraulic hoses, and set your splitter controls to the "Neutral" position before moving the log splitter on your tractor. Failure to do so may lead to improper performance and compromise safety.
3. **NEVER** carry any cargo or wood on your log splitter when moving around on your tractor.
4. **NEVER** allow anyone to sit or ride on your log splitter.
5. **ALWAYS** check before moving to make sure that the log splitter is correctly and securely attached to the three point hitches, and the hydraulic hoses to the pressure ports of tractor pump.
6. **ALWAYS** be careful when backing up with your log splitter behind your tractor. It could jackknife.
7. **NEVER** attempt to move this machine on your tractor over uneven terrain without a tow vehicle or adequate help.

Assembly

UNPACKING

WARNING

- Use extreme caution unpacking this machine. Some components are very heavy and will require additional people or mechanical handling equipment.

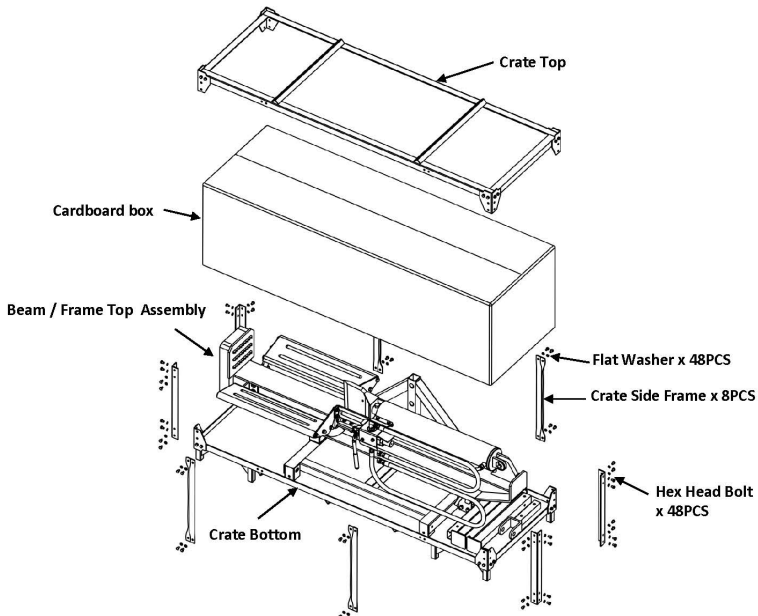
NOTICE

- All references in this manual to the left or right side and front or back of the log splitter are from the operating position only. Exceptions, if any, will be specified.

Unpacking tools needed:

1. Wrench 14mm
2. Scissors or knife
3. Pry bar or claw hammer

STEP 1: Use a 14mm wrench to remove all the bolts and washers on the metal crate, put aside the packing top and side frames, then remove the cardboard box.



STEP 2: Remove all loose parts included in the container, e.g. operator's manual, four frame legs, U-shape mounting bracket bar, and hardware kits.

STEP 3: Use a pry bar or claw hammer to remove the plywood splinters securing the beam / frame top assembly on the crate bottom.

NOTICE

- **DO NOT** remove the strap securing the hydraulic hoses assemblies to the beam at this time, until you do the assembly procedure of the hoses.

STEP 4: Inspect all component assemblies, parts and accessories according to the packing list attached in this manual. Make sure all items listed in the packing list are included, and of no shipping damage.

If any parts are damaged or missing, please call the authorized service dealer for assistance.

NOTICE

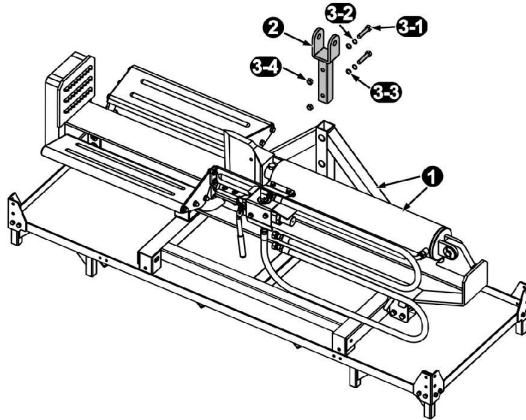
- **DO NOT** discard the packing materials until you have carefully inspected and satisfactorily operated the tool.

ASSEMBLING**NOTICE**

- Due to the weight / size of the log splitter, and needs to coordinate the tractor controls for assembling and set-up the 3-Point Hitch log splitter to the tractor, it's recommended that two or more adults be present to assist with the assembling and set-up.

1. This 3-Point Hitch log splitter is designed for tractors with pressure ratings that are under 3200 PSI (Category 1 or Category 2's power). Review the Tractor Owner's Manual to make sure your tractor meets the specifications of the 3-Point Hitch log splitter.
2. Check the three Hitch Pins are available for your log splitter.
3. Different tractor needs different types and sizes of Tractor Hydraulic Connectors. For this reason, the Splitter Hoses do not have Connectors on the ends. You need to prepare the correct type / size connectors for your application. The Splitter Hose Threads are 1 / 2" NTP Male.

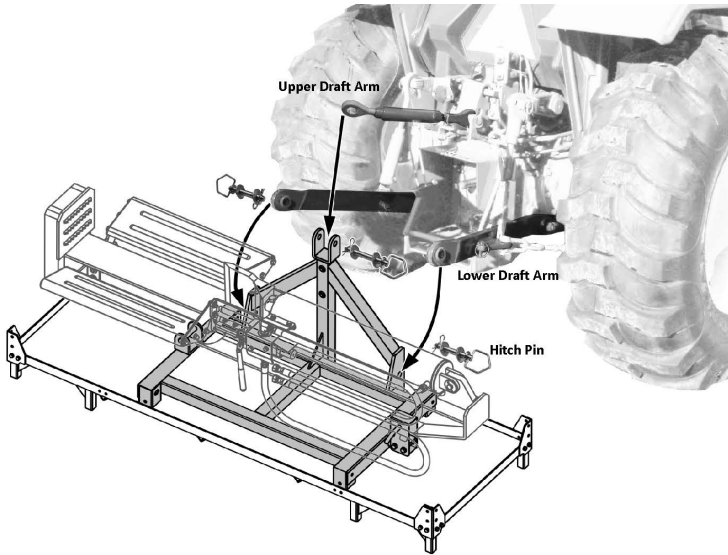
STEP 1: Insert the U-shape Mounting Bracket Bar into the frame top, secure with the hardware in Hardware Kit # 11.



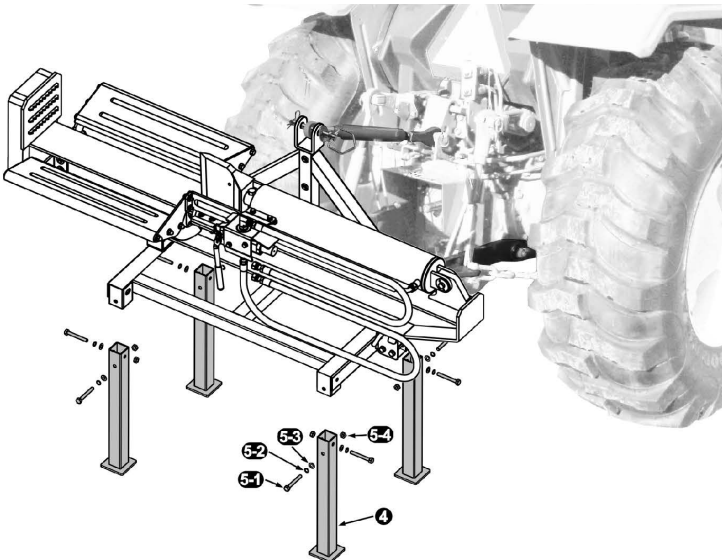
REF #	DESCRIPTION	QTY
1	Beam / Frame top assembly	1
2	U-shape mounting bracket bar	1
3	Hardware kit #11(not shown) Including:	1
3-1	Hex head bolt / M12 x 60	2
3-2	Spring washer / M12	2
3-3	Flat washer / M12	2
3-4	Lock nut / M12	2

STEP 2: Position the beam / frame top assembly behind the 3-Point Hitch of your tractor, where the tractor three point hitch arms can be adjusted to aid attachment.

1. Position the Lower Draft Arms outside of lower Frame Hookup bracket, align with the Mounting Bracket holes and secure with the Tractor Hitch Pins.
2. Position the Upper Draft Arm inside of U-shape Mounting bracket, align with the Mounting Bracket holes, insert the Tractor Hitch Pin and secure.



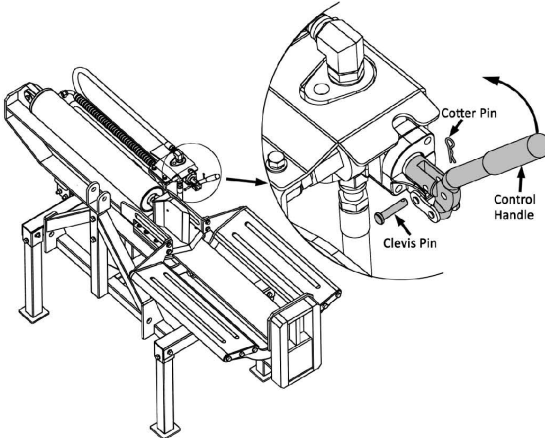
STEP 3: Lift the beam / frame top assembly no less than 20 in. off the ground, move the Crate Bottom away, and then assemble four Frame Legs. After the Frame Legs installed and tightened, lower down the Splitter, and allow it standing firmly on the ground.



REF #	DESCRIPTION	QTY
4	Frame leg	4
5	Hardware Kit #12 (not shown) Including:	1
5-1	Hex head bolt / M10 x 80	8
5-2	Spring washer / M10	8
5-3	Flat washer / M10	8
5-4	Nut / M10	8

STEP 4: Install the control handle. The control handle is shipped hanging from the valve on the handle link.

1. Remove the clevis pin and bow-tie cotter pin from the control handle.
2. Rotate the control handle into the operating position and secure with the clevis pin and bow-tie cotter pin removed in step above.



STEP 4: Attach both hoses to the Tractor.

1. Cut the strap securing the Hoses to the Beam, release both hoses.
2. Remove Protective Caps from the open end of both hoses, screw on the Connectors to both hoses.

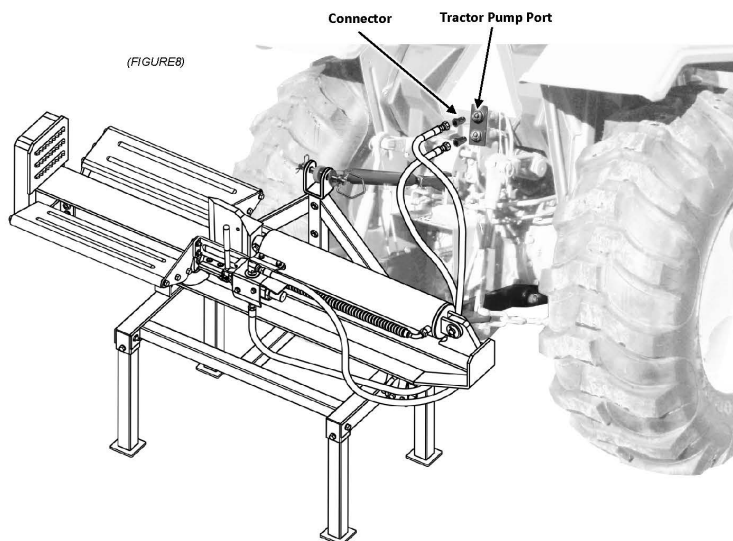
NOTICE

▪ Different tractor needs different types and sizes of Tractor Hydraulic Connectors. For this reason, the Splitter Hoses do not have Connectors on the ends. You need to prepare the correct type / size connectors for your application. The Splitter Hose Threads are 1/2" MNTP.

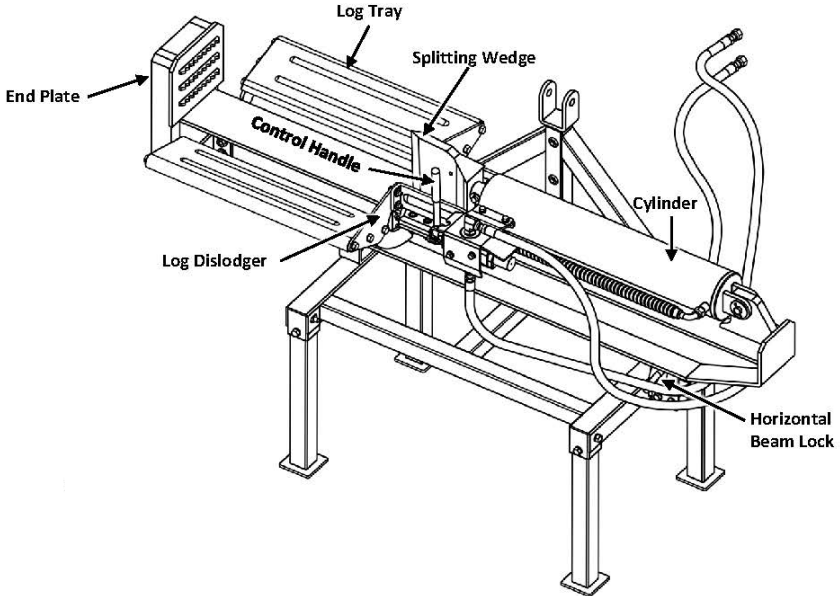
3. Route the hoses down the underside of the Beam to the rear, and plug the connectors into the Tractor Pump ports.

NOTICE

- Refer to your Tractor Owner's Manual , or tractor supplier before attaching or removing the connectors to / from tractor pump. If the hoses are attached to the wrong ports of the Tractor Pump, the splitter won't work when you operate the control handle lever. Simply swap the hoses to the correct ports.



FEATURES



TRACTOR ENGINE CONTROLS

See the tractor Owner's Manual for the location and function of the controls on the engine.

HORIZONTAL BEAM LOCKS

The lock, as its name suggests, is used to secure the beam in the horizontal position. The horizontal beam lock is located on the beam support latch bracket.

CONTROL HANDLE

The control handle has three positions; Forward, Neutral and Reverse. See the Operation section for instructions.

LOG DISLODGER

The log dislodger is designed to remove any partially split wood from the wedge. This may occur while splitting large diameter wood or freshly cut wood.

LOG TRAY

The log tray is designed to catch the log after it is split.

SPLITTING WEDGE

The wedge is used to split the wood.

END PLATE

The end plate holds the log in place while the wedge splits the log.

Operation

KNOW YOUR TRACTOR

Refer to the Tractor Owner's manual for instructions on how to start and stop the Tractor engine, and how to set throttle and power the hydraulics to the Splitter.

OPERATING POSITIONS

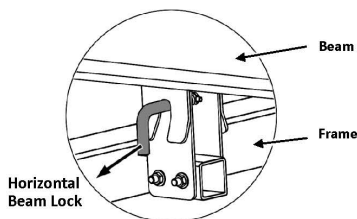
1. Place the beam in either the horizontal or vertical position. Always use the log splitter in the vertical position when splitting heavy logs.

WARNING

- Take extra care when raising and lowering the beam as it is fairly heavy. Having a second person assist with raising or lowering the beam is recommended. Be sure to keep hands away from any possible pinch points.

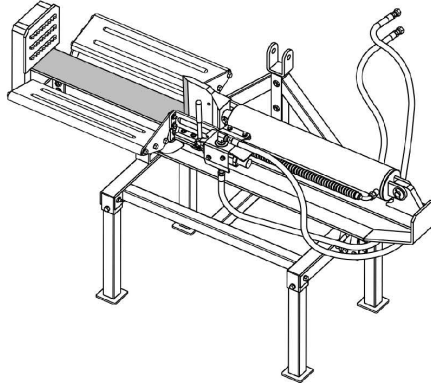
2. *How to place the beam in the Vertical Position:* Pull the horizontal beam lock out to release the beam and pivot the beam to the vertical position.

3. *How to place the beam in the Horizontal Position:* Pivot the beam to the horizontal position. The horizontal beam lock is self-locking. The spring loaded lock will snap into place when the beam is lowered into position.



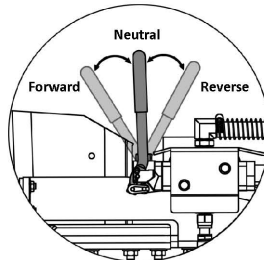
LUBRICATE BEAM AND WEDGE

Lubricate the beam area (where the splitting wedge will slide) with engine oil. Do not use grease.



USING CONTROL HANDLE

The control handle has three positions.



FORWARD — To split wood. Move the control handle to the FORWARD position to move wedge toward the log to split.

NOTE: The control handle will return to the NEUTRAL position as soon as the handle is released (FORWARD position only), and the wedge stops moving forward.

NEUTRAL — To stop wedge. Release the control handle or move the lever to the NEUTRAL position to stop the wedge movement.

REVERSE — To return the wedge. Move the control handle to the REVERSE position, the wedge returns automatically toward the cylinder. When the wedge is fully retracted, the control handle returns to the NEUTRAL position automatically. Do not hold the handle in the REVERSE position when fully retracted.

NOTE: The REVERSE position may also be moved back to the NEUTRAL position manually, if necessary.

WARNING

- If the control handle on your log splitter is not functioning properly, STOP USE IMMEDIATELY and contact an authorized service dealer.
- Do not attempt to service, repair or replace control valve. Contact an authorized service dealer.
- Do not attempt to adjust or modify the control valve or the hydraulic system from its original settings or manufacturer in any way.

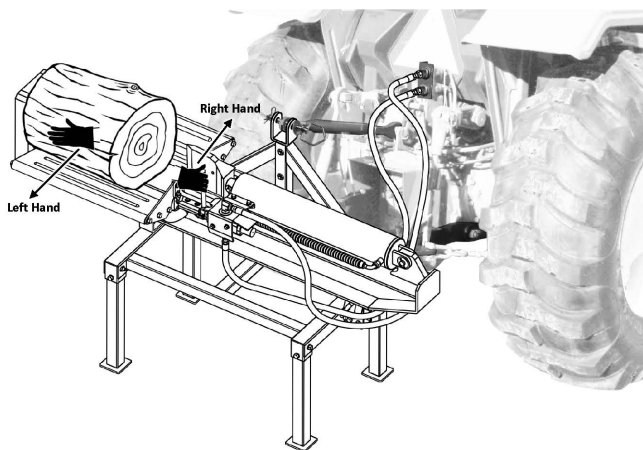
SPLITTING THE WOOD

1. Start the tractor, make sure the tractor is in neutral and the Emergency Brake is set.
2. Set throttle and power the hydraulics to the Splitter.
3. Operate the control lever, make the Splitting Wedge travel all the way to the end of stroke several cycles, to bleed the residual air in the hoses.
4. Place the log against the end plate.
5. To stabilize the log, place your left hand on the side of the log opposite the beam as shown.

WARNING

- Never place a hand on the ends of the log, between the log and the end plate or the log and the splitting wedge.
- Only one operator permitted. The adult who loads and stabilizes the log, must be the person who operates the control handle.

6. Move the control handle to the forward position to split the wood. Remove left hand from the side of the log once wedge just contacts the log. Continue moving control handle forward to split the log.
7. Release the control handle to stop the wedge movement.
8. Move the control handle to the reverse position to return the wedge.



REMOVE PARTIALLY SPLIT WOOD

1. Move the control handle to the REVERSE position until the wedge is fully retracted to allow split wood portion to contact the log dislodger.
2. Never remove partially split wood from the wedge with your hands. Fingers may become trapped between the split wood.
3. Once removed from the wedge with the log dislodger, split the wood from the opposite end or in another location.

OPERATION TIPS**Always:**

- 1 Follow the Checklist below each time you use your log splitter for optimum performance.
 - [] Check the general condition of the log splitters, e.g.: bolts, nuts, welds, clamps, hoses, etc.
 - [] Check hydraulic level in your tractor and fill as needed.
 - [] Check hydraulic hoses for cracks or wear.
 - [] Check the frame for stability.
 - [] Check the wedge for tightness, nicks and wear.
2. Bleed the air out of the hoses before operating.
3. Be alert and turn the Tractor off if children or pets enter the work area.
4. Use “pipe dope” on all hydraulic fittings.
5. Split wood along the grain (lengthwise) only.

Never:

1. Use when fluid is below 20° F or above 150° F.
2. Operate through relief valve for more than 5 seconds.
4. Attempt to adjust the unloading or relief valve settings.
5. Operate with air in hydraulic system.
6. Attempt to cut wood across the grain.
7. Attempt to remove partially split wood from the wedge with your hands. Fully retract the wedge to dislodge wood with log dislodger.
8. Never allow children to operate the log splitter.

Important:

1. Move the control handle to Forward position to extend the cylinder to split. If the log has not completely split after the cylinder extending to the end of its stroke, move the control handle to the reverse position to retract the cylinder.
2. Leaving the valve in the “accurate” position at the end of the cylinder stroke may damage the pump. To extend the life of hydraulic system, please conform with industry safety standards, the wedge stops 2 inches from the end of the stroke.

Maintenance

WARNING

- Do not make any adjustments without first stopping the tractor engine, setting the brake, removing the key, disconnecting the hoses from the tractor hydraulic ports. Wait 10 minutes to allow all parts to cool down. Always wear safety glasses during operation or while performing any adjustments or repairs.

BEAM AND SPLITTING WEDGE

Lubricate top, sides and bottom of the beam and where it comes into contact with the splitting wedge with engine oil before each use. If the wedge becomes dull or nicked, it can be sharpened.

MOVING AROUND

WARNING

- ALWAYS shut off your tractor hydraulic controls and your splitter controls to the "Neutral" position before moving the log splitter on your tractor. Failure to do so may lead to improper performance and compromise safety.
- Never attempt to move this machine on your tractor over hilly or uneven terrain without a tow vehicle or adequate help.

1. Set the splitter beam to its horizontal position. Make certain the beam is locked securely with the horizontal beam lock.
2. ALWAYS check before moving to make sure that the log splitter is correctly and securely attached to the three point hitches, and the hydraulic hoses to the pressure ports of tractor pump.
2. Lift the tractor 3-Point Hitch Arms to lift the log splitter the full height of the 3-Point Hitch range carefully for safely transport.
3. ALWAYS be careful when backing up with your log splitter behind your tractor. It could jackknife.

OFF-SEASON STORAGE

If the log splitter will not be used for more than 30 days, prepare it for storage as follows:

WARNING

- Never store the machine attached to the Tractor.

1. Clean the log splitter thoroughly.

NOTICE

- The use of pressure washers or a garden hose to clean the splitter is not recommended. They may cause damage to the bearings. The use of water will result in a shortened life and reduce serviceability.

2. Wipe the machine with an oiled rag to prevent rust, especially on the wedge and the beam.
3. Store the log splitter in a clean, dry area. Do not store it next to corrosive materials, such as fertilizer.

NOTICE

- If storing in an unventilated or metal storage shed, be certain to rustproof the equipment by coating it with a light oil or silicone.

Troubleshooting

TROUBLESHOOTING CHART

Most problems are easy to fix. Consult the trouble shooting Table below for common problems and their solutions.

If the machine should start making an unusual noise or vibration, shut down the tractor engine, wait 5 minutes for machine to cool down, then inspect for damage. Vibration is generally a warning of trouble. Check for damaged parts and clean, repair and / or replace as necessary.

Problem	Cause	Solution
Cylinder rod will not move	<ol style="list-style-type: none"> 1. Broken drive shaft. 2. Shipping plugs left in hydraulic hoses. 3. Set screws in coupling not adjusted properly. 4. Loose shaft coupling. 5. Gear sections damaged. 6. Damaged relief valve. 7. Hydraulic lines blocked. 8. Incorrect oil level. 9. Damaged control valve. 10. Blocked control valve. 	<ol style="list-style-type: none"> 1. See authorized service dealer. 2. Disconnect hydraulic hoses, remove shipping plugs, and reconnect hoses. 3. See authorized service dealer. 4. Correct engine/pump alignment as necessary. 5. See authorized service dealer. 6. See authorized service dealer. 7. Flush and clean hydraulic system. 8. Check oil level. 9. See authorized service dealer. 10. Flush and clean hydraulic system
Slow cylinder shaft speed while extending and retracting	<ol style="list-style-type: none"> 1. Gear sections damaged. 2. Excessive pump inlet vacuum. 3. Slow engine speed. 4. Damaged relief valve. 5. Incorrect oil level. 6. Contaminated oil. 7. Control valve leaking internally. 8. Internally damaged cylinder. 	<ol style="list-style-type: none"> 1. See authorized service dealer. 2. Make certain pump inlet hoses are clear and unblocked. use short, large diameter inlet hoses. 3. See authorized service dealer. 4. See authorized service dealer. 5. Check oil level. 6. Drain oil, clean reservoir and refill. 7. See authorized service dealer. 8. See authorized service dealer
Leaking Cylinder	<ol style="list-style-type: none"> 1. Worn seals. 2. Scored cylinder. 	<ol style="list-style-type: none"> 1. See authorized service dealer. 2. See authorized service dealer.
Wood will not split or wood splits too slowly	<ol style="list-style-type: none"> 1. Small gear section damaged. 2. Pump check valve leaking. 3. Excessive pump inlet vacuum. 4. Incorrect oil level. 5. Contaminated oil. 6. Control valve leaking internally. 7. Overloaded cylinder. 8. Internally damaged cylinder. 	<ol style="list-style-type: none"> 1. See authorized service dealer. 2. See authorized service dealer. 3. Make certain pump inlet hoses are clear and unblocked. 4. Check oil level. 5. Drain oil, clean reservoir and refill. 6. See authorized service dealer. 7. Do not attempt to split wood against the grain. 8. See authorized service dealer.
Wedge continues to move forward when control handle is released	<ol style="list-style-type: none"> 1. Damaged control valve 	<ol style="list-style-type: none"> 1. See authorized service dealer.
Control handle does not return to neutral when released from forward position	<ol style="list-style-type: none"> 1. Hydraulic fluid too cold. 2. Hydraulic fluid too thick. 3. Hydraulic fluid contaminated. 4. Damaged control valve. 	<ol style="list-style-type: none"> 1. Warm up engine. 2. Replace hydraulic fluid. 3. Replace hydraulic fluid. 4. See authorized service dealer.



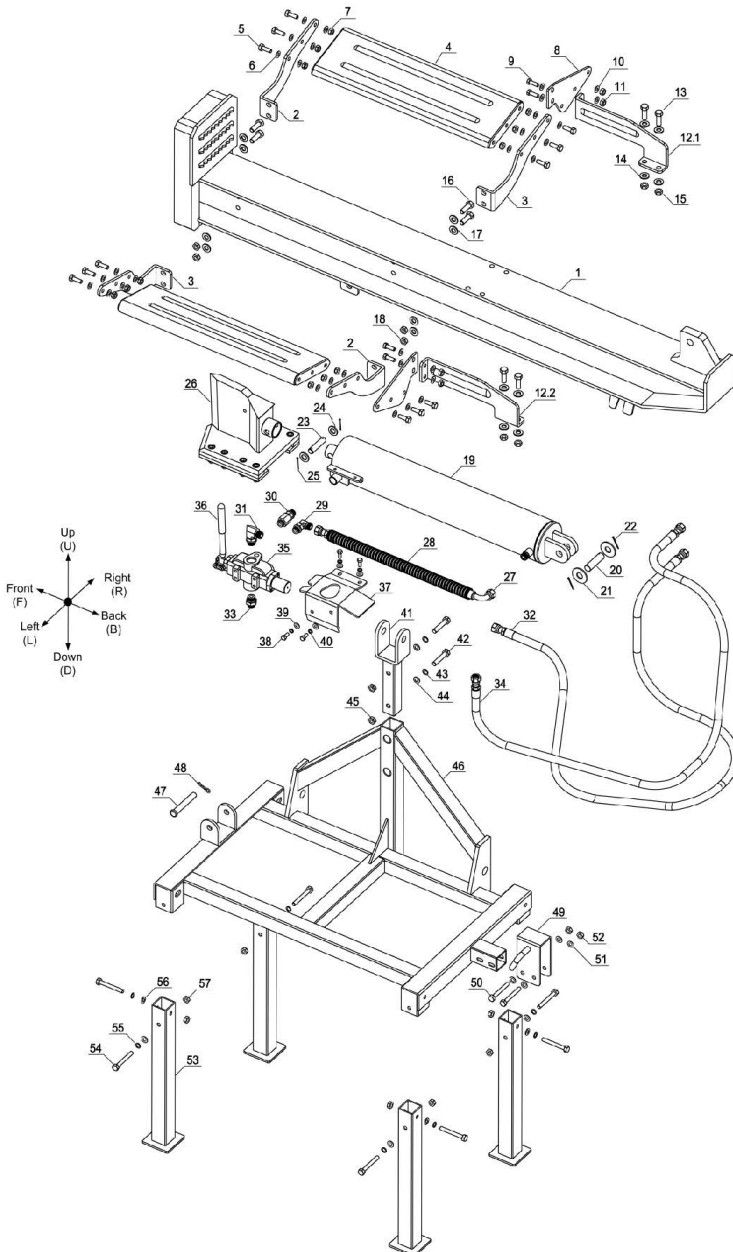
Specifications

TECHNICAL SPECS

Model	BE-LS22TB3PT	
Engine	Tractor dependent	
Tractor Requirements	Category 1 or Category 2 (2500 to 3200 PSI)	
Cylinder (Bore x Stroke)	4 in. x 24 in.	
Maximum Splitting Force	22 Tons*	
Maximum Log Length	25 in.	
Wedge Height	8 in.	
Cycle Time	Forward	8 Seconds*
	Reverse	5 Seconds*
Height (Horizontal / Vertical Position)	41.8 / 72.3 in.	
Length (Horizontal / Vertical Position)	72.3 / 54.6 in.	
Width	24 in.	
Net Weight	442 lbs	

*Tonnage and cycle times vary dependent upon cylinder diameter and PSI / GPM the Tractor produces, and also environmental conditions.

Diagram



Parts List

REF #	PART #	PART NAME	SPECIFICATIONS	QTY PER UNIT
1	310-632	Beam ind. End Plate	22T	1
2	320-930	Log Tray Frame FR (BL)		2
3	320-931	Log Tray Frame FL (BR)		2
4	320-938	Log Tray Plate		2
5	710-518	Hex Head Bolt	Zinc, M10*30	12
6	750-525	Flat Washer	M10	24
7	720-120	Lock Nut	M10	12
8	320-925	Log Dislodger		2
9	710-518	Hex Head Bolt	Zinc, M10*30	4
10	750-525	Flat Washer	M10	8
11	720-120	Lock Nut	M10	4
12.1	320-929	Log Dislodger Support R		1
12.2	320-928	Log Dislodger Support L		1
13	710-511	Hex Head Bolt	Zinc, M12*45	4
14	750-621	Flat Washer	M12	8
15	720-536	Lock Nut	M12	4
16	710-511	Hex Head Bolt	Zinc, M12*45	4
17	750-621	Flat Washer	M12	8
18	720-536	Lock Nut	M12	4
19	530-465	Cylinder	4"	1
20	760-112	Pin	Black Oxide, Ø20*72	1
21	750-423	Flat Washer	M20	2
22	760-734	Split Pin	Zinc, Ø4*35	2
23	760-118	Pin	Black Oxide, Ø16*69	1
24	750-642	Flat Washer	Zinc, M16	2
25	760-734	Split Pin	Zinc, Ø4*35	2
26	530-427	Splitting Wedge w/ Guides		1
27	560-422	Hydraulic Hose for A-Capacity	1/2**572	1
28	560-377	Protective Spring	Ø27**540*Ø1.5	1
29	510-339	Hydraulic Adaptor for A-Capacity		1
30	510-467	Hydraulic Adapter for B-Capacity		1
31	510-334	Hydraulic Adapter for Oil Return Hose		1
32	560-478	Oil Return Hose	1/2**2540	1
33	510-455	Hydraulic Adapter for Oil Suction Hose		1
34	560-478	Oil Suction Hose	1/2**2540	1
35	520-799	Hydraulic Valve		1
36	520-452	Control Handle	Ø16*210	1
37	350-226	Valve Cover		1
38	710-637	Hex Head Bolt	Zinc, M8*20	4
39	750-638	Flat Washer	M8	4
40	750-834	Spring Washer	M8	4
41	320-623	U-shape mounting bracket bar		1
42	710-573	Hex Head Bolt	Zinc, M12*60	2
43	750-834	Spring Washer	M12	2
44	750-621	Flat Washer	M12	2
45	720-359	Nut	M12	2
46	320-839	Frame Top		1
47	760-253	Clevis Pin	Zinc, Ø16*110	1
48	760-688	Spring Clip	Ø2.5	1
49	320-843	Horizontal Beam Lock		1
50	710-535	Hex Head Bolt	Zinc, M10*80	2
51	750-525	Flat Washer	M10	4
52	720-120	Lock Nut	M10	2
53	320-874	Frame Leg		4
54	710-535	Hex Head Nut	Zinc, M10*80	4
55	750-401	Spring Washer	M10	8
56	750-525	Flat Washer	M10	8
57	720-124	Nut	M10	8

BE

THE POWER YOU NEED.

**If you need assistance with the
assembly or operation
of your Log Splitter please call
1-866-850-6662**