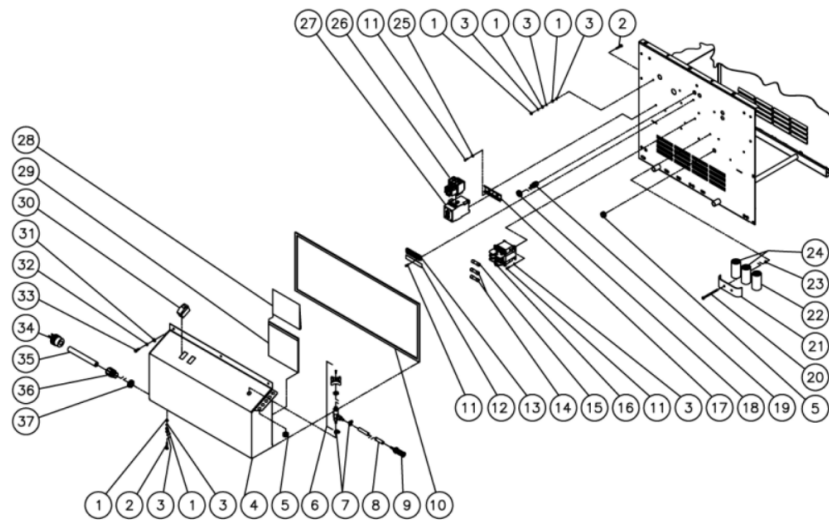




HHS-2004-0E2G / HHS-2004-0E2G (sn:0-99999999)

ELECTRIC BOX



Id	Item #	Description	Quantity
1	30-6001	NUT	5
2	27-8807	BOLT	2
3	28-1009	WASHER	7
4	20-0534A1 8	ELECTRIC BOX	1

Id	Item #	Description	Quantity
5	33-0001	GROMMET	9
6	22-0226	DETERGENT VALVE	1
7	42-0004	HOSE CLAMP	2
8	15-0021	HOSE *(SIX FEET REQUIRED)	1
9	19-0056	DETERGENT STRAINER W/CHECK	1
10	26-0240	GASKET	1
11	27-8835	SCREW	6
12	34-0867	DECAL- TERMINAL STRIP	1
13	32-0436	TERMINAL STRIP	1
14	32-0467	FUSE- 0.5 AMP	2
15	32-0471	FUSE- 0.6 AMP	1
16	32-0313	TRANSFORMER	1
17	32-0316	DIN RAIL *(ONE FOOT REQUIRED)	1
18	32-0587	LOCKNUT	1
19	32-0586	STRAIN RELIEF	1
20	27-0024	BOLT (HHS-2004-0E2G/A, 0E8G/A)	1
20	27-0024	BOLT (HHS-3004-0E2G/A, 0E8G/A)	2
21	20-0467	CAPACITOR CLAMP W/MOTOR (HHS-2004-0E2G/A, 0E8G/A)	1
21	20-0538A01	CAPACITOR CLAMP (HHS-3004-0E2G/A, 0E8G/A)	1
22	32-0686	CAPACITOR W/MOTOR	1
23	30-0155	NUT (HHS-2004-0E2G/A, 0E8G/A)	1
23	30-0155	NUT (HHS-3004-0E2G/A, 0E8G/A)	2
24	32-0519	CAPACITOR W/MOTOR (HHS-2004-0E2G/A)	1
24	32-0519	CAPACITOR W/MOTOR (HHS-2004-0E8G/A, 3004-0E2G/A, 0E8G/A)	2
25	28-0001	WASHER	2
26	32-0484	OVERLOAD RELAY (HHS-2004-0E2G/A)	1
26	32-0485	OVERLOAD RELAY (HHS-2004-0E8G/A, 3004-0E2G/A, 0E8G/A)	1
27	32-0479	CONTACTOR	1
28	37-0606	WIRE DIAGRAM/SCHEMATIC	1
29	41-0184	ENVELOPE	1
30	32-0669	ROCKER SWITCH	2
31	28-0002	WASHER	3
32	29-0006	LOCKWASHER	3
33	27-0015	BOLT	3
34	32-0012	PLUG (HHS-2004-0E8G/A, 3004-0E2G/A, 0E8G/A)	1
35	32-0334	CORD (HHS-2004-0E2G/A)	1
35	32-0021	CORD *(THIRTY-SEVEN FEET REQUIRED) (HHS-2004-0E8G/A, 3004-0E2G/A)	1
35	32-0504	CORD *(THIRTY-SEVEN FEET REQUIRED) (HHS-3004-0E8G/A)	1

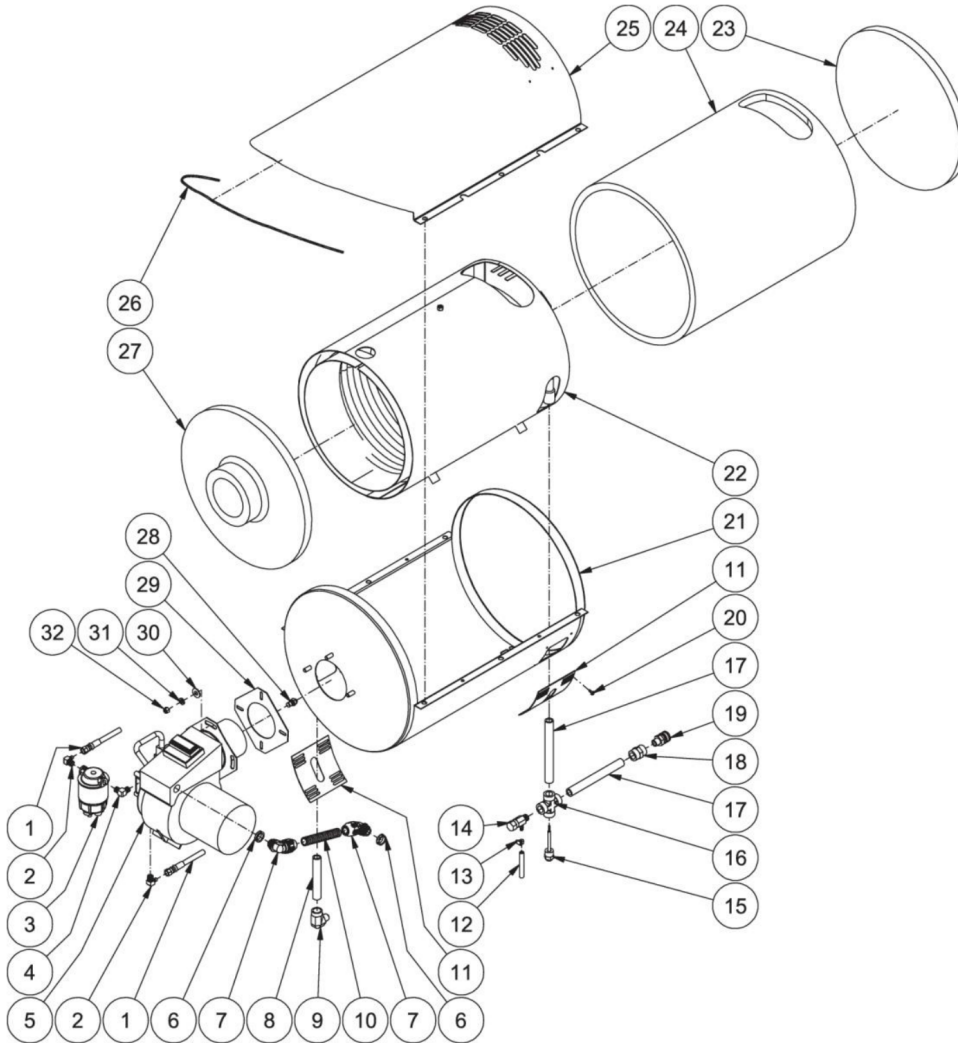
Id	Item #	Description	Quantity
36	9-0046	STRAIN RELIEF (HHS-2004-0E2G/, 0E8G/A, HHS-3004-0E2G/A)	1
36	9-0048	BUSHING CORD STRAIN RELIEF (HHS-3004-0E8G/A)	1
37	32-0292	LOCKNUT (HHS-2004-0E2G/, 0E8G/A, HHS-3004-0E2G/A)	1
37	32-0515	LOCKNUT (HHS-3004-0E8G/A)	1

*MUST ORDER IN ONE FOOT LENGTHS



HHS-2004-0E2G / HHS-2004-0E2G (sn:0-99999999)

HEAT EXCHANGER



Id	Item #	Description	Quantity
1	15-0147	FUEL HOSE	2
2	23-0237	ELBOW	2
3	19-0070	FUEL FILTER / WATER SEPERATOR	1
4	23-0130	ELBOW	1
5	4-0017	BURNER (2004/3004/3005-1E4/5G)	1
5	4-0018	BURNER SM 240VOLT (2004/3004/3005-1E2/3/8/9G)	1
5	4-0029	BURNER SM 115VOLT (1002/1003/1502-1E1G)	1
6	32-0108	ELECTRICAL LOCKNUT	2

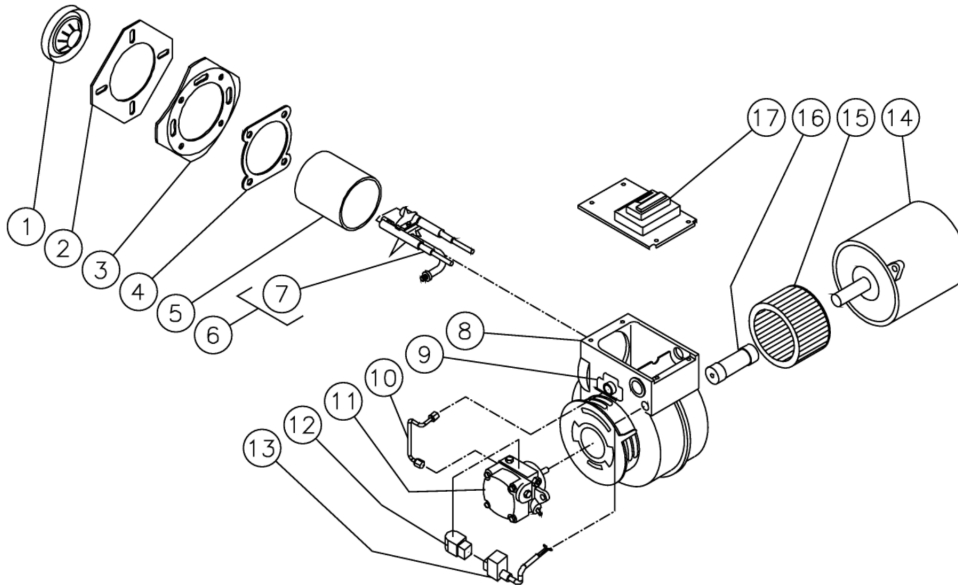
Id	Item #	Description	Quantity
7	32-0254	CONDUIT ELBOW	2
8	24-0245	PIPE NIPPLE	1
9	24-0240	ELBOW	1
10	32-0253	CONDUIT FLEX *(TWO FEET REQUIRED)	1
11	20-0537A18	PATCH PLATE	2
12	15-0008	FUEL HOSE *(TWO FEET REQUIRED)	1
13	42-0004	CLAMP WORM	1
14	22-0309	SAFETY RELIEF VALVE (3004/3005)	1
14	22-0308	PRESSURE RELIEF VALVE - 3500 PSI (1002/1502/1003/2004)	1
15	32-0962	ADJUSTABLE THERMOSTAT	1
16	24-0241	CROSS	1
17	24-0255	PIPE NIPPLE	2
18	24-0243	ADAPTER	1
19	17-0007	QUICK CONNECT SOCKET	1
20	27-3062	BOLT	8
21	20-0527A18	BOTTOM WRAP	1
22	66-0014	COIL	1
23	33-0346	INSULATION DISC (THREE FEET REQUIRED)	1
24	850-0279	INSULATION BLANKET	1
24	33-0032	INSULATION BLANKET - 24" X 57" LONG 1" THICK	1
25	21-0129	TOP WRAP	1
26	33-0020	EDGING *(THREE FEET REQUIRED)	1
27	33-0345	INSULATION DRUM HEAD	1
28	18-0090	FUEL NOZZLE (2004)	1
28	18-0091	NOZZLE SOLID OIL 2.0 80 DEG B (3004)	1
28	18-0093	NOZZLE SOLID OIL 2.50 80 DEG (3005)	1
28	18-0356	NOZZLE-FUEL 1.50 90 DEG A (1003)	1
28	18-0357	NOZZLE-FUEL 1.00 90 DEG A (1502/1002)	1
29	44-0108	GASKET	1
30	28-0023	WASHER	3
31	29-0008	LOCKWASHER	3
32	30-0006	NUT	3

*MUST ORDER IN ONE FOOT LENGTHS



HHS-2004-0E2G / HHS-2004-0E2G (sn:0-99999999)

BURNER ASSEMBLY



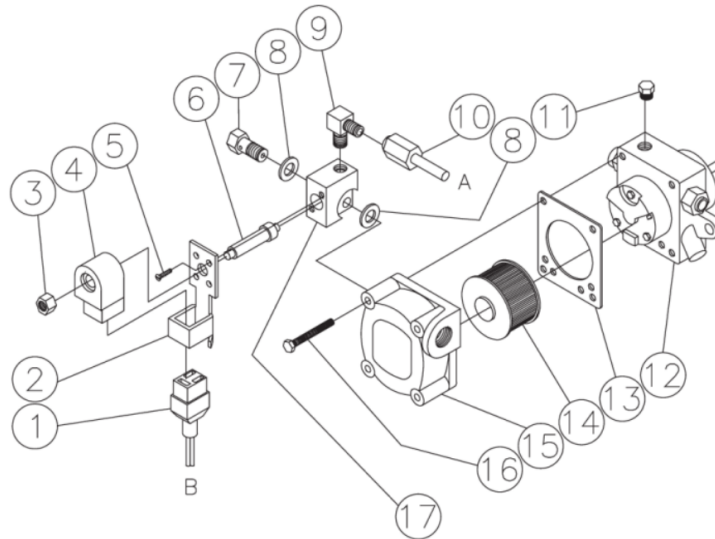
Id	Item #	Description	Quantity
1	44-0011	BURNER HEAD	1
2	44-0108	MOUNTING GASKET	1
3	44-0109	FLANGE	1
4	26-0138	GASKET	1
5	44-0110	AIR TUBE	1
6	44-0113	NOZZLE LINE ASSEMBLY (INC. 7)	1
7	44-0114	ELECTRODE KIT	1
8	44-0033	BURNER HOUSING	1
9	44-0031	ESCUTCHEON PLATE	1
10	44-0026	FUEL LINE	1
11	3-0236	FUEL PUMP	1
12	46-1020	FUEL SOLENOID	1
13	44-0122	CORD SET	1
14	2-0068	MOTOR (4-0017)	1
14	2-0067	MOTOR (4-0018)	1
15	44-0071	BLOWER WHEEL	1
16	44-0014	COUPLER	1

Id	Item #	Description	Quantity
17	44-0017	IGNITION TRANSFORMER (4-0017)	1
17	44-0015	IGNITION TRANSFORMER (4-0018)	1
	4-0017	COMPLETE BURNER (INCLUDES 1-17)	
	4-0018	COMPLETE BURNER (INCLUDES 1-17)	



HHS-2004-0E2G / HHS-2004-0E2G (sn:0-99999999)

FUEL PUMP/SOLENOID



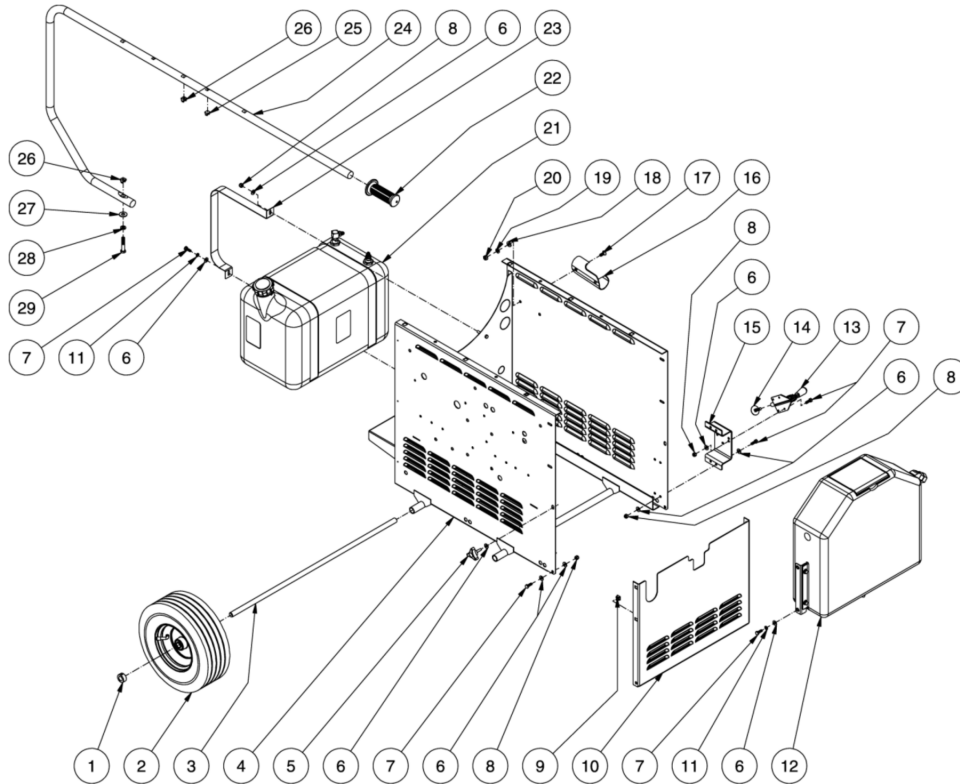
Id	Item #	Description	Quantity
1	46-1017	CORD-DIN CONNECTOR	1
2	N/A Sep.	BASE PLATE (SEE 44-0038)	1
3	46-1016	NUT-SOLENOID PISTON	1
4	44-0002	SOLENOID COIL (120V)	1

Id	Item #	Description	Quantity
5	N/A Sep.	SCREW (SEE 44-0038)	2
6	46-1012	PISTON	1
7	46-1009	BOLT	1
8	26-0150	WASHER	2
9	23-0083	ELBOW	1
10	44-0025	FUEL LINE	1
11	24-0082	PLUG	1
12	N/A Sep.	FUEL PUMP BODY (SEE 3-0020)	1
13	26-0109	COVER GASKET	1
14	19-0034	FUEL PUMP STRAINER	1
15	46-1005	FUEL PUMP COVER	1
16	46-1006	SCREW	4
17	N/A Sep.	SOLENOID BODY (SEE 44-0038)	1
	44-0038	FUEL SOLENOID- 120V (INC. 1-8, 17)	1
	3-0020	FUEL PUMP (INC. 11-16)	1



HHS-2004-0E2G / HHS-2004-0E2G (sn:0-99999999)

CHASSIS ASSEMBLY



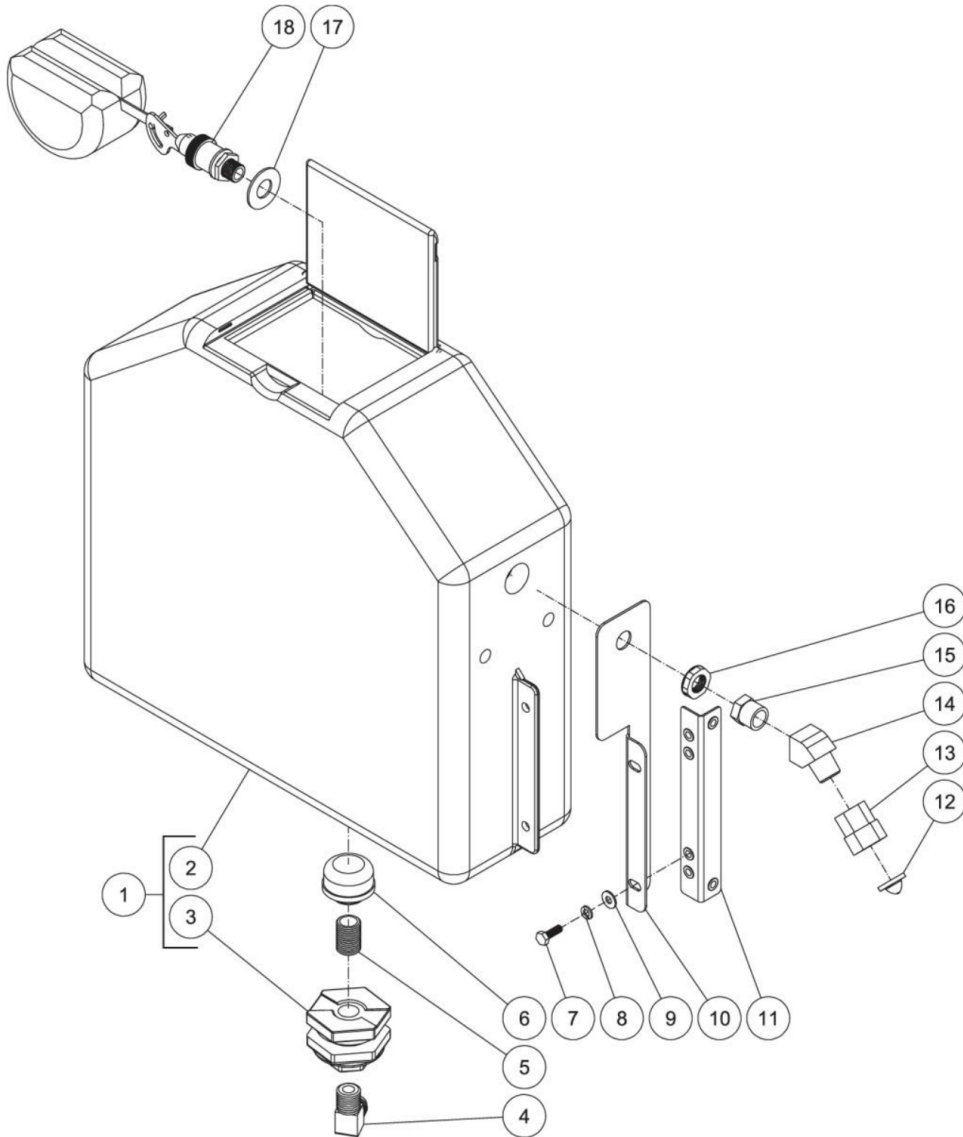
Id	Item #	Description	Quantity
1	33-0351	COLLAR W/ SET SCREW	4
2	14-0006	WHEEL	4
3	20-0524	AXLE	2
4	5-0230A18	CHASSIS ASSEMBLY	1
5	7-0168	3-PRONG KNOB	2
6	28-0002	FLATWASHER	26
7	27-0015	BOLT	16
8	30-0155	HEX NUT	12
9	30-6026	CLIP NUT	2
10	20-0525A18	ACCESS DOOR	1
11	29-0006	LOCKWASHER	6
12	N/A Sep.	FLOAT TANK ASSEMBLY (SEE EXPLODED DRAWING)	1
13	33-0400	PUSH/PULL BRAKE	1

Id	Item #	Description	Quantity
14	27-9550	ELEVATOR BOLT	1
15	20-0825A18	BRAKE BRACKET	1
16	20-0870A18	WAND HOLDER	1
17	27-0418	BOLT	2
18	28-0003	FLATWASHER	2
19	29-0007	LOCKWASHER	2
20	30-0005	NUT	2
21	850-0303	FUEL TANK ASSEMBLY	1
22	7-0167	HANDLE GRIP	2
23	20-0598A18	FUEL TANK STRAP	2
24	7-0166A18	HANDLE	2
25	30-6027	CLIP NUT	4
26	30-6025	CLIP NUT	8
27	28-0023	WASHER	2
28	29-0008	LOCKWASHER	2
29	27-0121	BOLT	2



HHS-2004-0E2G / HHS-2004-0E2G (sn:0-99999999)

FLOAT TANK



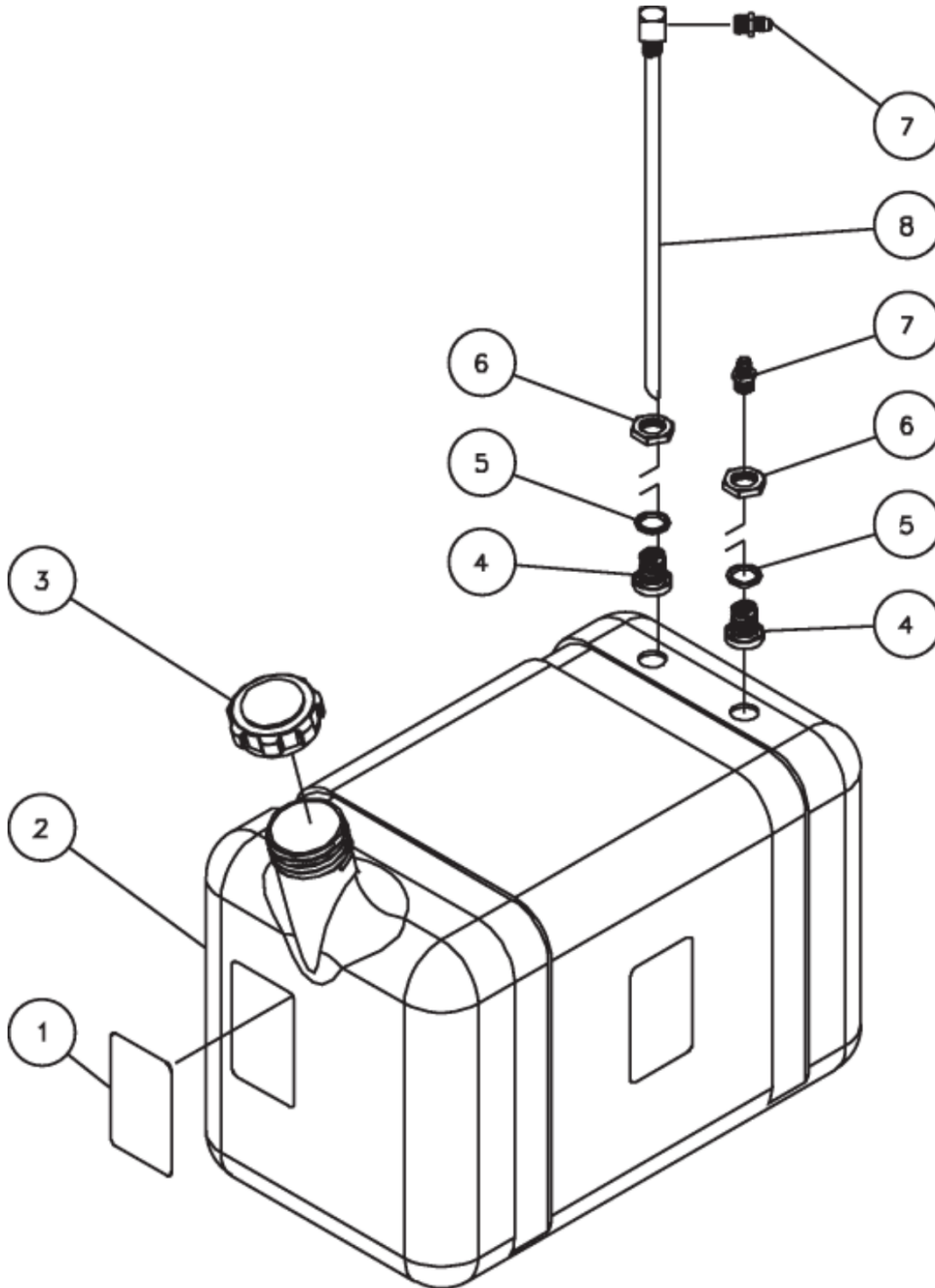
Id	Item #	Description	Quantity
1	850-0321	FLOAT TANK ASSEMBLY (INC. 1-2)	1
2	N/A	FLOAT TANK	1
3	55-0886	BULKHEAD	1
4	23-0389	ELBOW	1
5	23-0019	NIPPLE	1
6	19-0203	STRAINER	1

Id	Item #	Description	Quantity
7	27-0015	BOLT	4
8	29-0006	LOCKWASHER	4
9	28-0002	WASHER	4
10	20-0911A18	BRACKET	1
11	20-0599A18	BRACKET	2
12	19-0001	FILTER	1
13	23-0001	SWIVEL	1
14	23-0344	ELBOW	1
15	23-0016	REDUCER BUSHING	1
16	23-0138	NUT	1
17	28-0050	WASHER	1
18	850-0238	FLOAT VALVE - MODIFIED	1



HHS-2004-0E2G / HHS-2004-0E2G (sn:0-99999999)

FUEL TANK ASSEMBLY



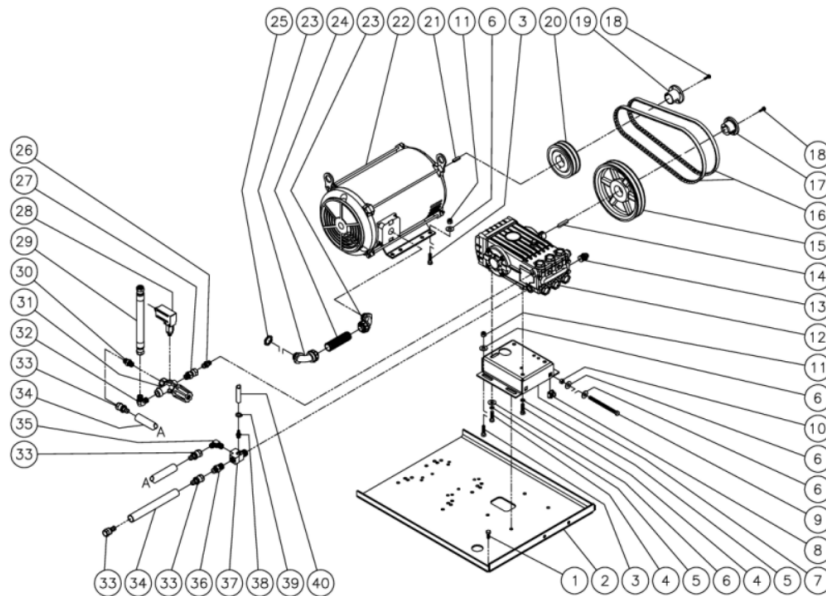
Id	Item #	Description	Quantity
1	34-1034	DECAL- CAUTION: RISK OF FIRE	1
2	12-0126	FUEL TANK	1
3	12-0033	VENTED FUEL CAP	1

Id	Item #	Description	Quantity
4	23-0408	BULKHEAD FITTING	2
5	25-0427	O-RING	2
6	23-0409	NUT	2
7	23-0247	FLARE FITTING	2
8	33-0352	FUEL PICK-UP	1



HHS-2004-0E2G / HHS-2004-0E2G (sn:0-99999999)

MOTOR/PUMP ASSEMBLY



Id	Item #	Description	Quantity
1	27-0066	BOLT	1
2	5-0152A18	BASEPLATE	1
3	27-0118	BOLT	8
4	27-8471	BOLT	4

Id	Item #	Description	Quantity
5	29-0055	LOCKWASHER	4
6	28-0023	FLATWASHER	13
7	5-01 53A1 8	PUMP HAT	1
8	30-6025	CLIP NUT	2
9	27-0133	BOLT	2
10	30-0006	HEX NUT	2
11	30-0159	NUT	8
12	3-0202	PUMP W/KEY	1
13	22-0005	HEAT DUMP VALVE	1
14	43-0048	KEY	1
15	10-0007	SHEAVE	1
16	11-0008	BELT (HHS-2004)	2
16	11-0007	BELT (HHS-3004)	2
16	11-0005	BELT (HHS-3005)	2
17	9-0017	BUSHING	1
18	27-0015	BOLT W/BUSHING	4
19	9-0010	BUSHING (HHS-2004)	1
19	9-0008	BUSHING (HHS-3004/3005)	1
20	10-0036	SHEAVE (HHS-2004)	1
20	10-0065	SHEAVE (HHS-3004)	1
20	10-0104	SHEAVE (HHS-3005)	1
21	43-0078	KEY	1
22	2-0107	MOTOR (HHS-2004-0E2G)	1
22	2-0108	MOTOR (HHS-2004-0E3G/4G)	1
22	2-0109	MOTOR (HHS-3004-0E2G)	1
22	2-0110	MOTOR (HHS-3004-0E3G/4G)	1
22	2-0112	MOTOR (HHS-3005-0E3G/4G)	1
22	2-0124	MOTOR (HHS-2004-0E8G)	1
22	2-0125	MOTOR (HHS-3004-0E8G)	1
22	2-0127	MOTOR (HHS-2004-0E9G)	1
22	2-0129	MOTOR (HHS-3004-0E9G)	1
22	2-0131	MOTOR (HHS-3005-0E9G)	1
23	32-0487	CONDUIT ELBOW	2
24	32-0486	CONDUIT *(THREE FEET REQUIRED)	1
25	32-0292	LOCKNUT	1
26	24-0002	NIPPLE	1
27	24-0037	SWIVEL	1
28	22-0171	PRESSURE SWITCH	1
29	15-0221	HIGH PRESSURE HOSE ASSEMBLY	1

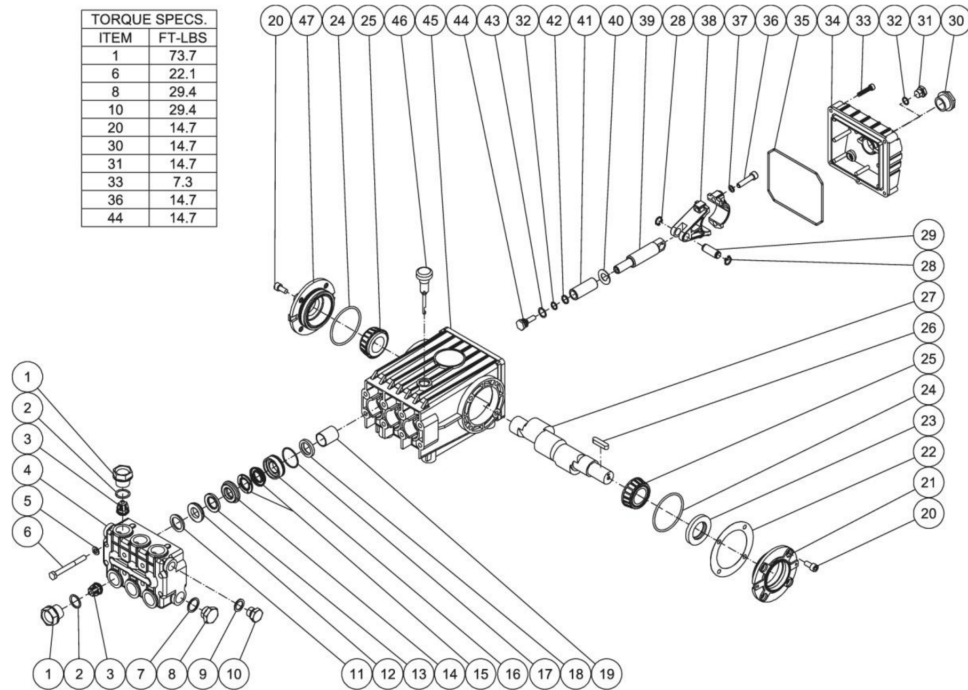
Id	Item #	Description	Quantity
30	23-0370	NIPPLE	1
31	850-0252	UNLOADER ASSEMBLY	1
32	24-0092	ELBOW	1
33	23-0360	HOSE BARB	4
34	15-0200	HOSE *(THREE FEET REQUIRED)	1
35	23-0389	ELBOW	1
36	23-0361	NIPPLE	1
37	23-0388	STREET TEE	1
38	23-0051	HOSE BARB	1
39	42-0004	CLAMP	1
40	15-0021	DETERGENT HOSE *(THREE FEET REQUIRED)	1

*MUST ORDER IN ONE FOOT LENGTHS.



HHS-2004-0E2G / HHS-2004-0E2G (sn:0-99999999)

PUMP ASSEMBLY



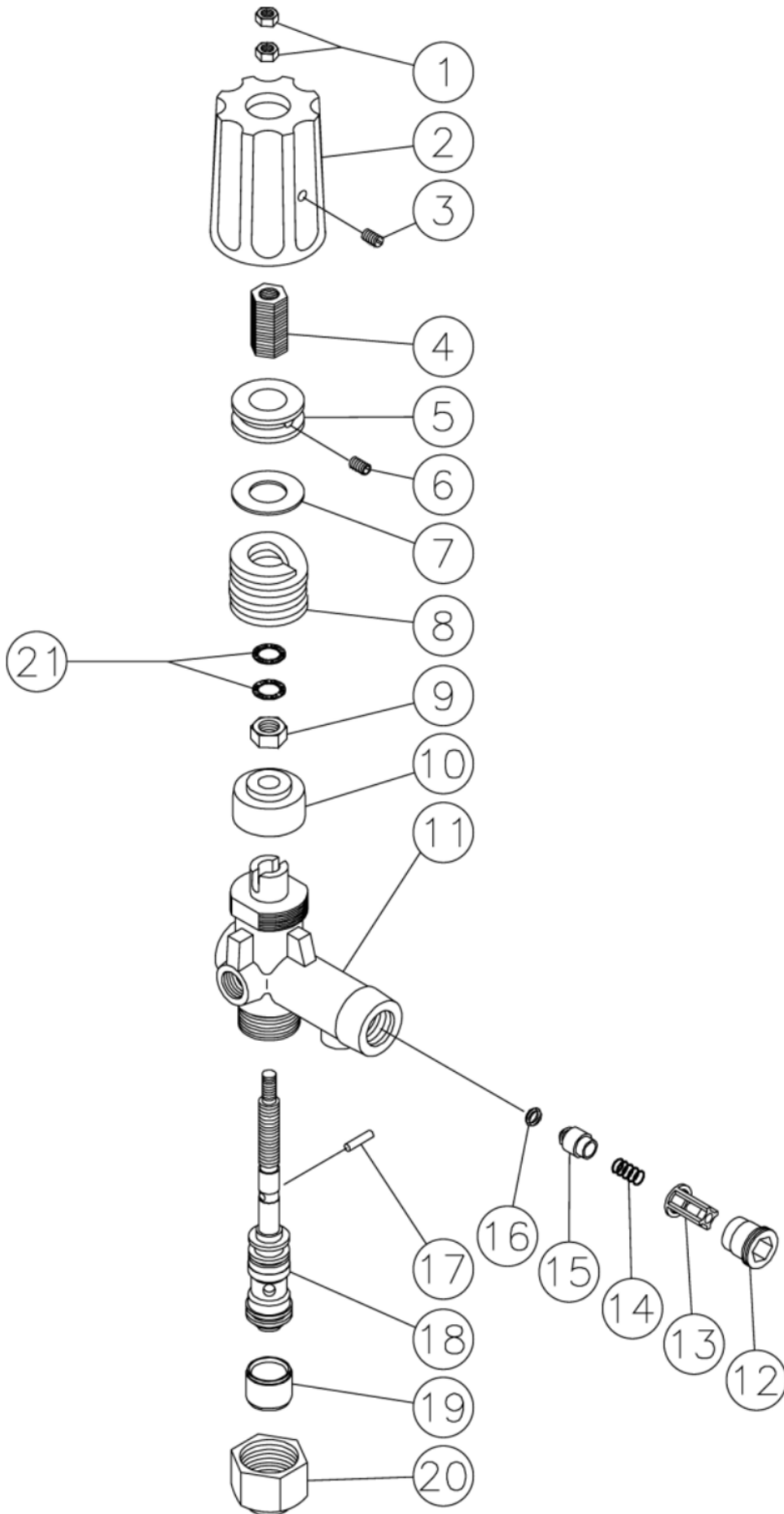
Id	Item #	Description	Quantity
1	46-0889	VALVE CAP	6
2	25-0012	O-RING	6
3	22-0056	VALVE (SEE KIT 70-0009)	6
4	46-0890	MANIFOLD	1
5	28-1039	WASHER	8
6	27-8185	BOLT	8
7	28-1038	WASHER	2
8	39-0019	PLUG	2
9	28-1002	WASHER	2
10	39-0018	PLUG	2
11	70-0030	HEAD RING (SEE KIT 70-0030 AND 852-0122)	3
12	26-0098	V-PACKING SUPPORT (SEE KIT 70-0147 AND 852-0122)	3
13	25-0207	O-RING (SEE KIT 70-0147 AND 70-0148 AND 852-0122)	3
14	46-0659	HIGH PRESSURE INTERMEDIATE SEAL RETAINER (SEE KIT 70-0148)	3
15	26-0197	PRESSURE SEAL (SEE KIT 70-0147 AND 852-0122)	3

Id	Item #	Description	Quantity
16	46-0057	LOW PRESSURE SEAL RETAINER	3
17	25-0015	O-RING (SEE KIT 852-0122)	3
18	26-0047	OIL SEAL	3
19	9-0029	BUSHING	3
20	27-8431	BOLT	8
21	46-0296	CRANKCASE COVER	1
22	46-0113	SHIM	1
23	26-0049	OIL SEAL	1
24	25-0013	O-RING	2
25	48-0012	BEARING	2
26	43-0048	KEY	1
27	46-0050	CRANKSHAFT	1
28	46-0103	RETAINING RING	6
29	43-0032	CONNECTING ROD PIN	3
30	46-0114	OIL LEVEL INDICATOR	1
31	39-0017	PLUG	1
32	25-0014	O-RING	4
33	27-8404	BOLT	5
34	46-0295	CRANKCASE OPEN COVER	1
35	25-0339	O-RING	1
36	27-8435	BOLT	6
37	29-0154	LOCKWASHER	6
38	46-0051	CONNECTING ROD	3
39	46-0056	PISTON ROD	3
40	46-0146	SLINGER WASHER	3
41	46-0052	PLUNGER	3
42	46-0109	BACK-UP RING	3
43	28-0400	WASHER	3
44	46-0069	NUT / PISTON	3
45	46-0047	CRANKCASE	1
46	46-0144	OIL DIP STICK	1
47	46-0336	CRANKCASE COVER	1
KIT	70-0009	VALVES (INC. 6 EACH 3)	
KIT	70-0030	HEAD RING (INC. 3 EACH 11)	
KIT	70-0147	V-PACKING (INC. 3 EACH 12, 13, 15)	
KIT	70-0148	INTERMEDIATE RETAINER (INC. 3 EACH 13, 14)	
KIT	852-0122	V-PACKING ASSY (INC. 3 EACH 11-13, 15, 17)	



HHS-2004-0E2G / HHS-2004-0E2G (sn:0-99999999)

UNLOADER ASSEMBLY

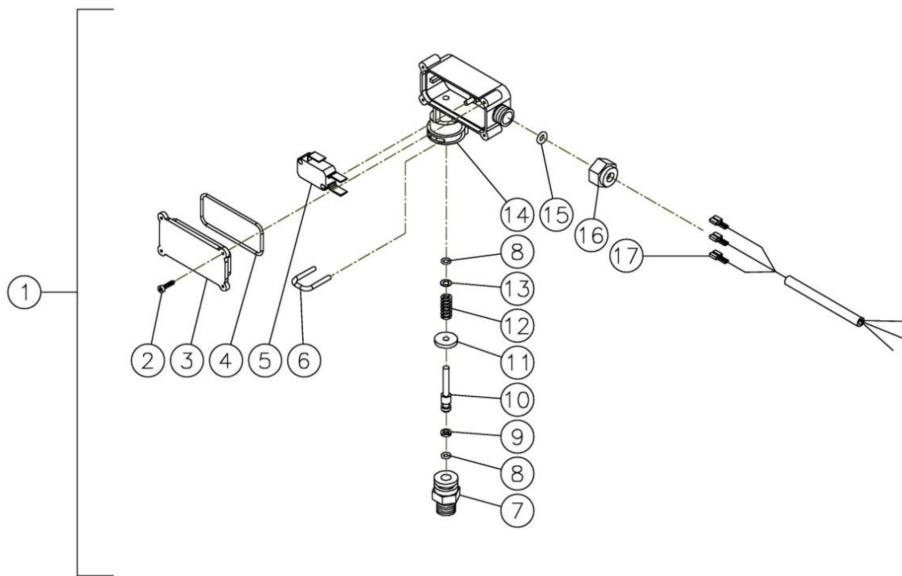


Id	Item #	Description	Quantity
1	8-0362	HEX NUT	2
2	7-0098	COVER	1
3	27-4280	SET SCREW	1
4	8-0363	ADJUSTING INSERT- BRASS	1
5	8-0364	ADJUSTMENT NUT	1
6	8-0365	SET SCREW	1
7	8-0366	GLIDE RING	1
8	49-0104	SPRING	1
9	8-0367	HEX NUT	1
10	8-0368	BUSHING	1
11	8-0369	UNLOADER BODY	1
12	8-0269	RETAINER	1
13	8-0104	VALVE HOUSING	1
14	49-0023	SPRING	1
15	8-0105	VALVE	1
16	25-0036	O-RING	1
17	8-0372	CYLINDER PIN	1
18	70-0243	PISTON REPAIR KIT	1
19	8-0371	SPACER	1
20	8-0157	STOP NUT	1
21	29-0154	WASHER	2
	70-0244	CHECK VALVE REPAIR KIT (INCLUDES 13-16)	



HHS-2004-0E2G / HHS-2004-0E2G (sn:0-99999999)

PRESSURE SWITCH



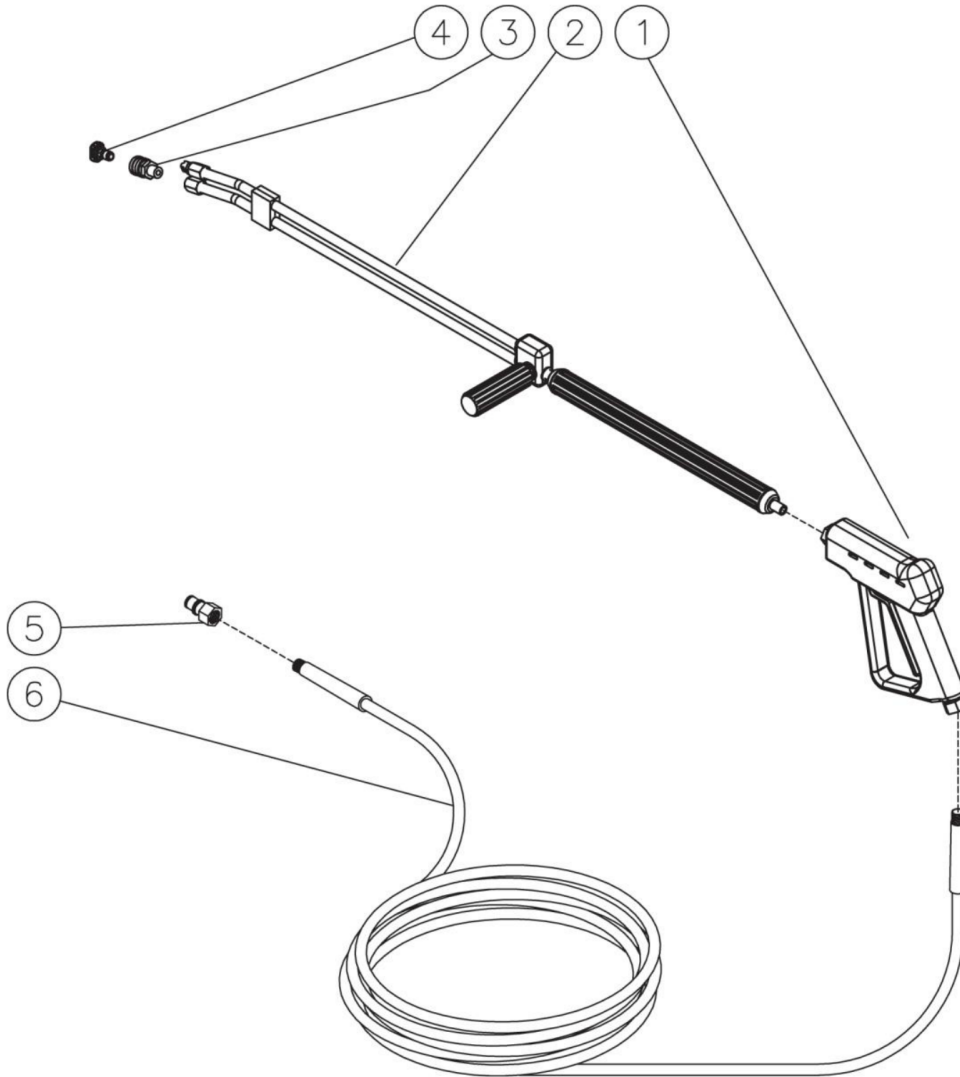
Id	Item #	Description	Quantity
1	22-0171	PRESSURE SWITCH	1
2	N/A	SCREW	4
3	N/A	COVER	1
4	N/A Sep.	O-RING (SEE 70-0306)	1
5	N/A	MICRO SWITCH	1
6	N/A	RETAINER CLIP	1
7	N/A	BODY	1
8	N/A Sep.	O-RING (SEE 70-0306)	2
9	N/A Sep.	BACK-UP RING (SEE 70-0306)	1
10	N/A	PISTON	1
11	N/A	WASHER	1
12	49-0144	SPRING	1
13	N/A	WASHER	1
14	N/A	PLASTIC HOUSING	1
15	N/A Sep.	O-RING (SEE 70-0306)	1
16	N/A	NUT	1

Id	Item #	Description	Quantity
17	N/A	WIRE ASSEMBLY	1
	70-0306	O-RING REPAIR KIT (INC. 4, 8-9, 15)	



HHS-2004-0E2G / HHS-2004-0E2G (sn:0-99999999)

GUN/WAND/HOSE ASSEMBLY



Id	Item #	Description	Quantity
1	27-0066	BOLT	1
2	5-0152A18	BASEPLATE	1
3	27-0118	BOLT	4
4	27-8471	BOLT	4
5	29-0055	LOCKWASHER	4
6	28-0023	FLATWASHER	9
7	5-0153A18	PUMP HAT	1

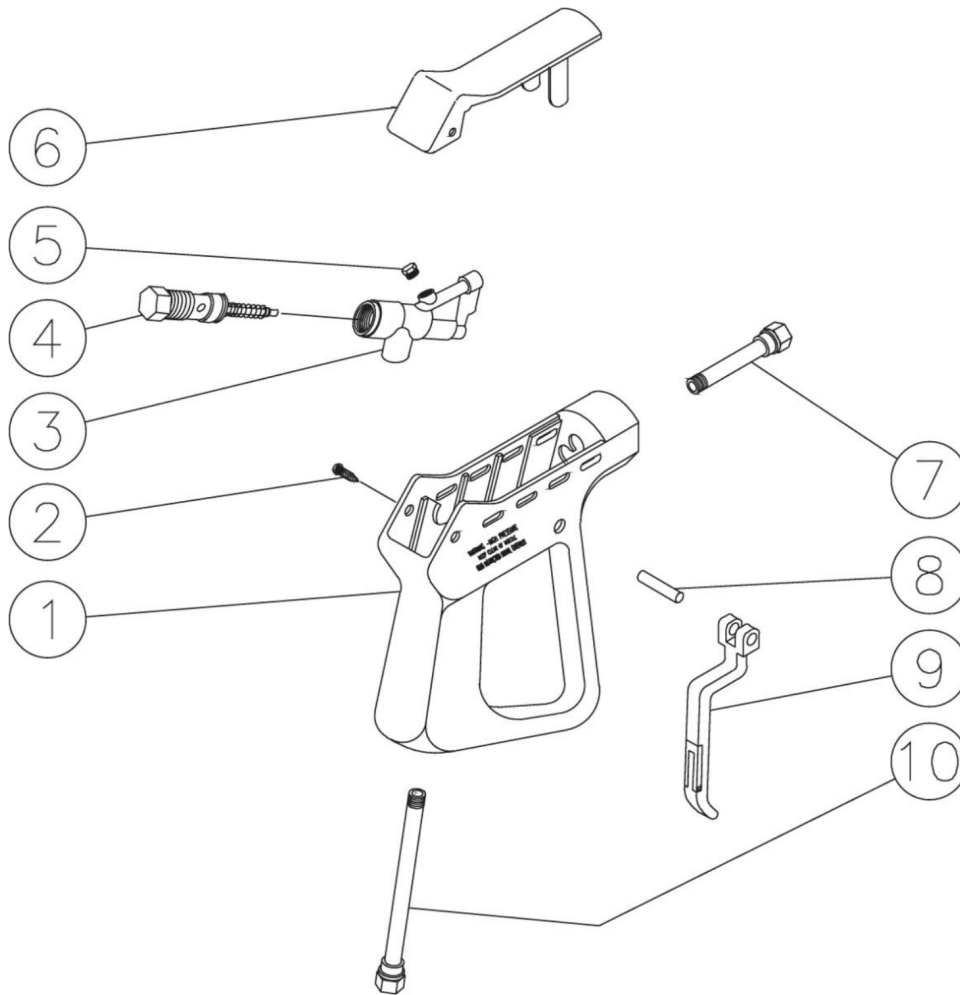
Id	Item #	Description	Quantity
8	30-6025	CLIP NUT	2
9	27-0133	BOLT	2
10	30-0006	HEX NUT	2
11	30-0159	NUT	4
12	3-0005	PUMP W/KEY	1
13	22-0005	HEAT DUMP VALVE	1
14	43-0048	KEY	1
15	10-0066	SHEAVE	1
16	11-0023	BELT	1
17	9-0017	BUSHING	1
18	27-0015	BOLT W/BUSHING	2
19	10-0111	SHEAVE	1
20	27-0067	BOLT	4
21	28-0003	FLATWASHER	4
22	30-0157	NYLOCK	4
23	43-0078	KEY	1
24	2-0120	MOTOR ASSEMBLY	1
25	32-0254	CONDUIT ELBOW	2
26	32-0253	CONDUIT FLEX *(THREE FEET REQUIRED)`	2
27	28-0051	FLATWASHER	2
28	32-0108	LOCKNUT	1
29	24-0002	NIPPLE	1
30	24-0037	SWIVEL	1
31	22-0171	PRESSURE SWITCH	1
32	15-0221	HIGH PRESSURE HOSE ASSEMBLY	1
33	23-0370	NIPPLE	1
34	850-0252	UNLOADER ASSEMBLY	1
35	24-0092	ELBOW	1
36	23-0360	HOSE BARB	4
37	15-0200	HOSE *(THREE FEET REQUIRED)	1
38	23-0389	ELBOW	1
39	23-0361	NIPPLE	1
40	23-0388	STREET TEE	1
41	23-0051	HOSE BARB	1
42	42-0004	CLAMP	1
43	15-0021	DETERGENT HOSE *(THREE FEET REQUIRED)	1

*MUST ORDER IN ONE FOOT LENGTHS.



HHS-2004-0E2G / HHS-2004-0E2G (sn:0-99999999)

GUN ASSEMBLY



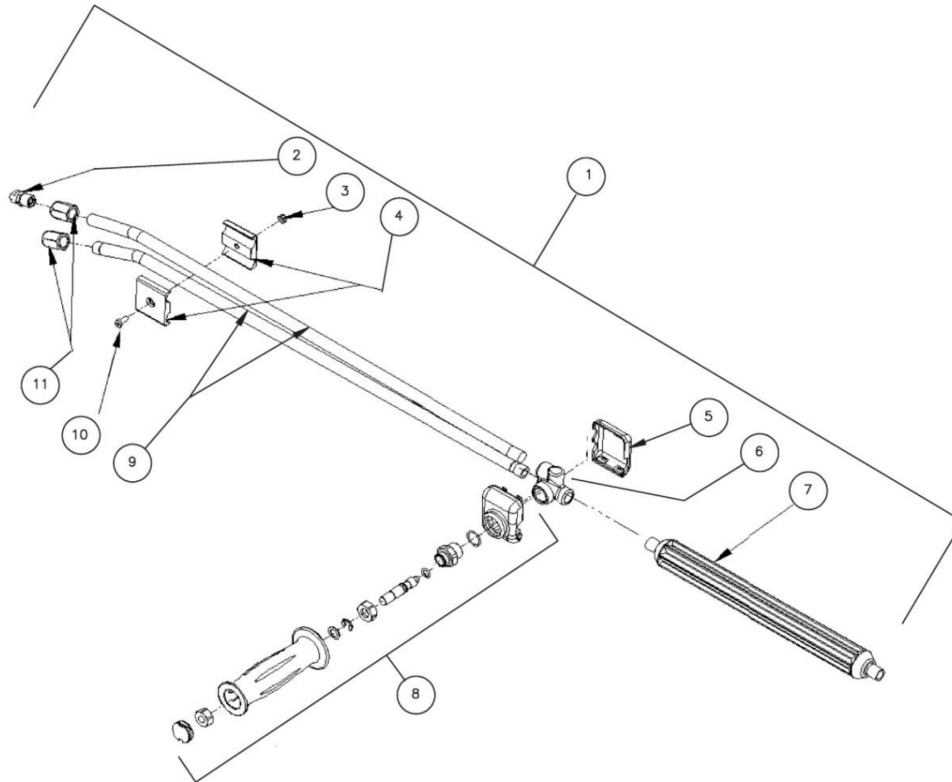
Id	Item #	Description	Quantity
1	16-0008	PLASTIC HOUSING	1
2	27-3230	SCREW	2
3	16-0012	BRASS HOUSING	1
4	70-0055	GUN REPAIR KIT	1
5	39-0024	BRASS PLUG	1
6	16-0009	PLASTIC COVER	1
7	16-0013	PIPE ASSEMBLY	1
8	16-0063	TRIGGER PIN	1
9	16-0010	TRIGGER/SAFETY LOCK-OFF	1

Id	Item #	Description	Quantity
10	16-0016	PIPE ASSEMBLY- INLET	1
	16-0001	COMPLETE GUN ASSEMBLY	1



HHS-2004-0E2G / HHS-2004-0E2G (sn:0-99999999)

DUAL LANCE ASSEMBLY



Id	Item #	Description	Quantity
1	16-0416	DUAL LANCE ASSEMBLY - 36" (INC. 2-11)	1
1	16-0417	DUAL LANCE ASSEMBLY - 48" (INC. 2-11)	1
2	18-0110	DETERGENT NOZZLE	1
3	30-6001	NUT	1
4	16-0420	CLAMP	2
5	N/A Sep.	LOWER VALVE COVER (SEE 16-0416 OR 16-0417)	1
6	N/A Sep.	HOUSING (SEE 16-0416 OR 16-0417)	1
7	16-0419	LANCE	1
8	70-0419	HANDLE REPAIR KIT	1
9	N/A Sep.	LANCE (SEE 16-0416)	2
9	N/A Sep.	LANCE (SEE 16-0417)	2
10	27-8196	SCREW	1

Id	Item #	Description	Quantity
11	24-0280	NOZZLE ADAPTER	2