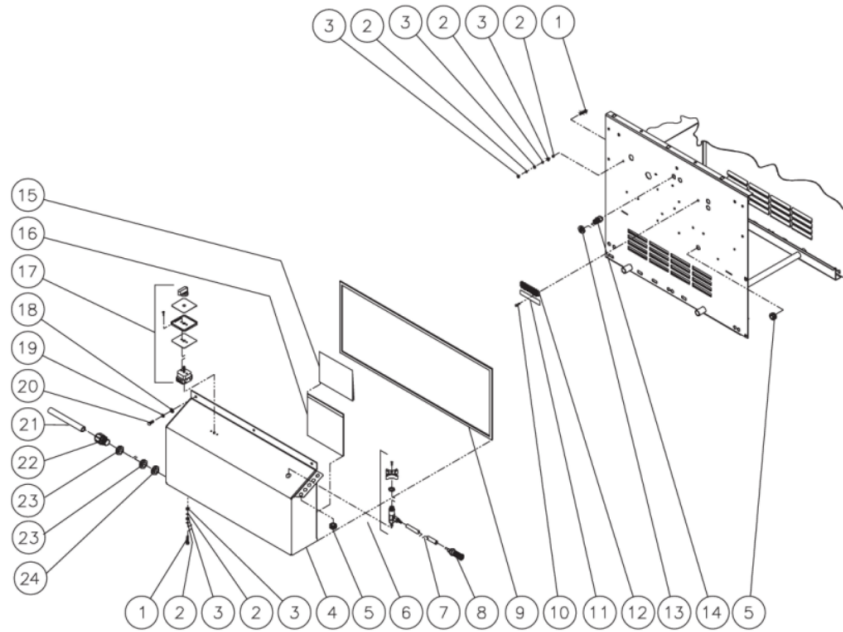




HHS-1002-0E1A / HHS-1002-0E1A (sn:0-99999999)

## ELECTRIC BOX



Id	Item #	Description	Quantity
1	30-6001	NUT	5
2	27-8807	BOLT	2
3	28-1009	WASHER	5
4	20-0550A18	ELECTIC BOX	1

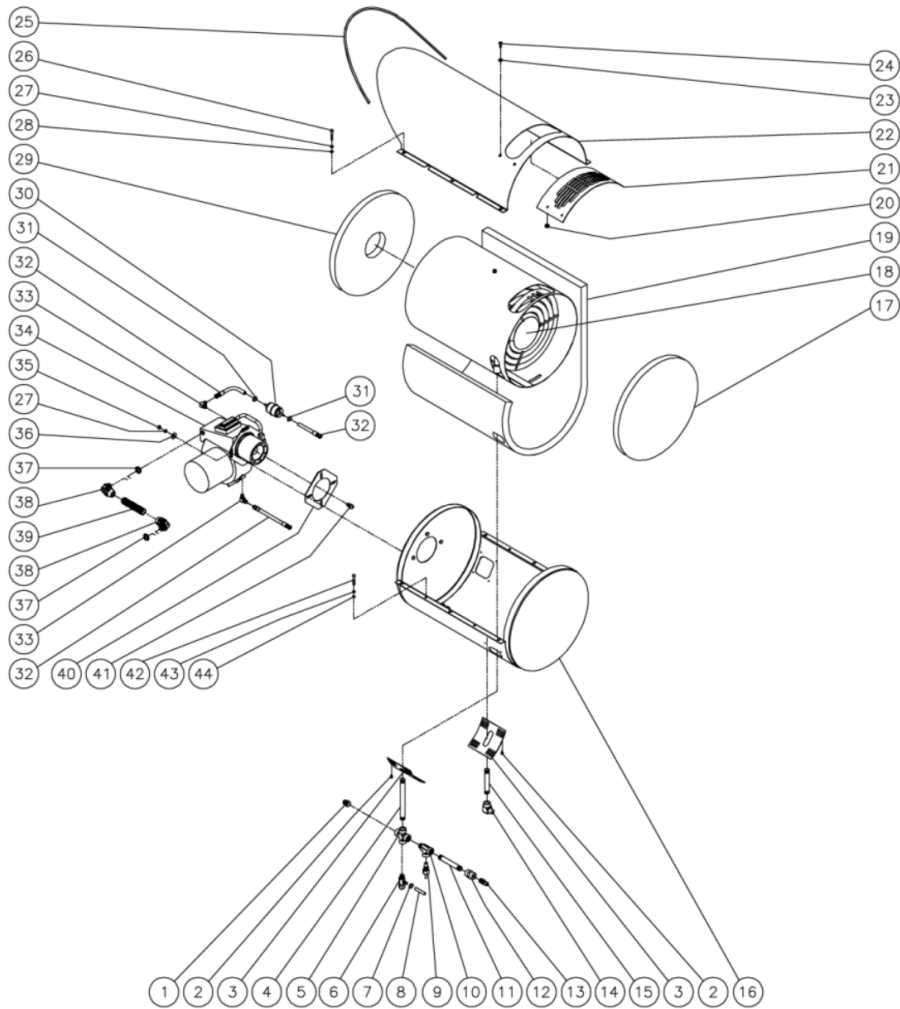
<b>Id</b>	<b>Item #</b>	<b>Description</b>	<b>Quantity</b>
5	33-0001	GROMMET	9
6	22-0226	DETERGENT VALVE	1
7	42-0004	HOSE CLAMP	2
8	15-0021	HOSE *(SIX FEET REQUIRED)	1
9	19-0056	DETERGENT STRAINER W/CHECK	1
10	26-0240	GASKET	1
11	27-8835	SCREW	2
12	34-0867	DECAL- TERMINAL STRIP	1
13	32-0436	TERMINAL STRIP	1
14	32-0587	LOCKNUT	2
15	32-0586	STRAIN RELIEF	2
16	37-0605	WIRE DIAGRAM/SCHEMATIC	1
17	41-0184	ENVELOPE	1
18	32-0434	CAM SWITCH (HHS-1 002)	1
-	32-0679	CAM SWITCH (HHS-1 003)	1
19	28-0002	WASHER	3
20	29-0006	LOCKWASHER	3
21	27-0015	BOLT	3
22	32-0215	CORD	1
23	9-0046	STRAIN RELIEF	1
24	N/A	WASHER	-
25	32-0292	LOCKNUT	1

\*MUST ORDER IN ONE FOOT LENGTHS



HHS-1002-0E1A / HHS-1002-0E1A (sn:0-99999999)

## HEAT EXCHANGER



Id	Item #	Description	Quantity
1	39-0016	PLUG	1
2	27-3062	SCREW	8
3	20-0537A18	PATCH PLATE	2
4	24-0255	PIPE NIPPLE	1

<b>Id</b>	<b>Item #</b>	<b>Description</b>	<b>Quantity</b>
5	24-0241	CROSS	1
6	22-0308	SAFETY RELIEF VALVE ASSY (HHS-1 002/1003/2004)	1
-	22-0309	SAFETY RELIEF VALVE ASSY (HHS-3004)	1
7	42-0004	CLAMP	1
8	15-0008	HOSE *(TWO FEET REQUIRED)	1
9	32-0667	HI-LIMIT	1
10	24-0242	STREET TEE	1
11	24-0246	PIPE NIPPLE	1
12	24-0243	ADAPTER	1
13	17-0005	QUICK CONNECT PLUG	1
14	24-0240	ELBOW	1
15	24-0245	PIPE NIPPLE	1
16	20-0527A18	BOTTOM WRAP ASSEMBLY	1
17	33-0346	INSULATION DOME	1
18	66-0014	COIL ASSEMBLY	1
19	850-0279	INSULATION BLANKET (REPLACEMENT ONLY)	1
20	30-6028	CLIP NUT	4
21	21-0138	EXHAUST PLATE	1
22	20-0528A09	TOP WRAP	1
23	28-0001	WASHER	4
24	27-8912	SCREW	4
25	33-0020	TRIMLOCK *(THREE FEET REQUIRED)	1
26	27-0121	BOLT	6
27	29-0008	LOCKWASHER	9
28	28-0030	WASHER	6
29	33-0345	INSULATION DOME	1
30	19-0110	INLINE FUEL FILTER	1
31	42-0003	CLAMP	2
32	15-0147	FUEL HOSE	2
33	23-0237	ELBOW	2
34	4-0020	BURNER (HHS-1002-0E1A/1G)	1
34	4-0019	BURNER (HHS-1003-0E1A/1G)	1
34	4-0018	BURNER (HHS-2004/3004-0E2/3/8/9A/G, HHS-3005-0E3A/G)	1
34	4-0017	BURNER (HHS-2004/3004/3005-0E4A/G)	1
35	30-0006	NUT	3
36	28-0023	WASHER	3
37	32-0108	CONDUIT W/ELBOW	2
38	32-0254	ELBOW	2
39	32-0253	CONDUIT *(TWO FEET REQUIRED)	1

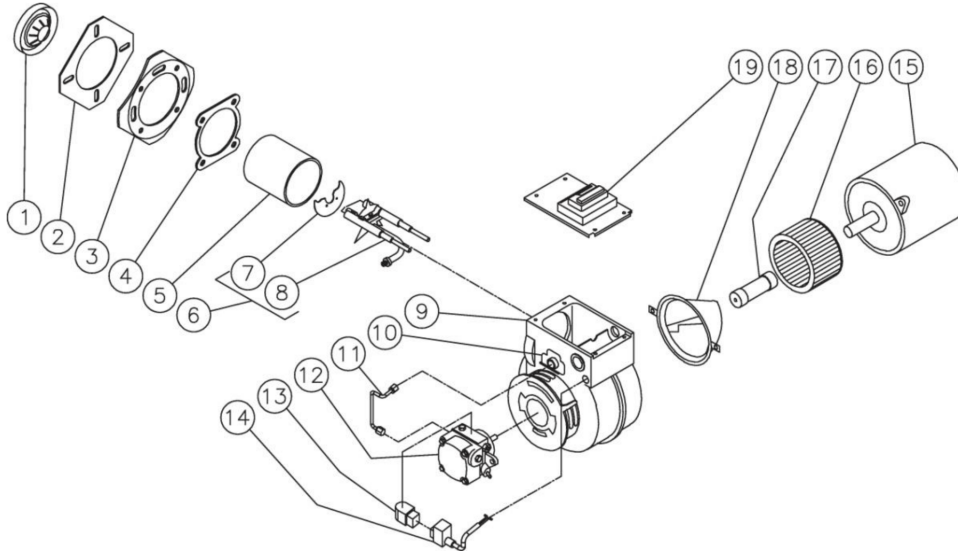
<b>Id</b>	<b>Item #</b>	<b>Description</b>	<b>Quantity</b>
40	44-0108	GASKET W/BURNER	1
41	18-0357	FUEL NOZZLE- 1.00 (HHS-1002)	1
41	18-0356	FUEL NOZZLE- 1.50 (HHS-1003)	1
41	18-0355	FUEL NOZZLE- 1.75 (HHS-3004)	1
41	18-0090	FUEL NOZZLE- 2.25 (HHS-2004)	1
41	18-0093	FUEL NOZZLE- 2.50 (HHS-3005)	1
42	27-0019	BOLT	4
43	29-0006	LOCKWASHER	4
44	28-0002	WASHER	4

\*MUST ORDER IN ONE FOOT LENGTHS



HHS-1002-0E1A / HHS-1002-0E1A (sn:0-99999999)

## BURNER ASSEMBLY



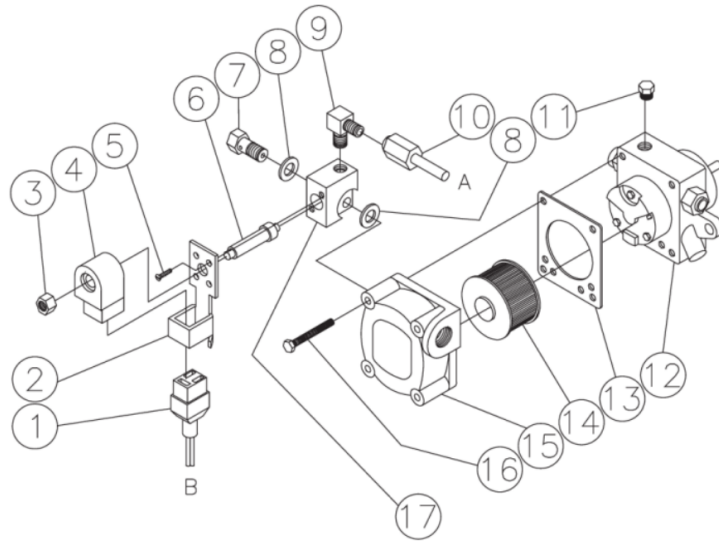
Id	Item #	Description	Quantity
1	44-0009	BURNER HEAD (4-0019)	1
1	44-01 07	BURNER HEAD (4-0020)	1
2	44-01 08	MOUNTING GASKET	1
3	44-01 09	FLANGE	1
4	26-0138	GASKET	1
5	44-0110	AIR TUBE	1
6	44-0111	NOZZLE LINE ASSEMBLY (INC. 7-8)	1
7	44-0027	STATIC PLATE	1
8	44-0112	ELECTRODE KIT	1
9	44-0034	BURNER HOUSING	1
10	44-0031	ESCUTCHEON PLATE	1
11	44-0025	FUEL LINE	1
12	3-0236	FUEL PUMP	1
13	46-1 020	FUEL SOLENOID	1
14	44-0122	CORD SET	1
15	2-0033	MOTOR	1
16	44-0006	BLOWER WHEEL	1

<b>Id</b>	<b>Item #</b>	<b>Description</b>	<b>Quantity</b>
17	44-0013	COUPLER	1
18	44-0051	AIR GUIDE	1
19	44-0016	IGNITION TRANSFORMER	1
	4-0019	COMPLETE BURNER (INCLUDES 1-19)	
	4-0020	COMPLETE BURNER (INCLUDES 1-19)	



HHS-1002-0E1A / HHS-1002-0E1A (sn:0-99999999)

## FUEL PUMP/SOLENOID



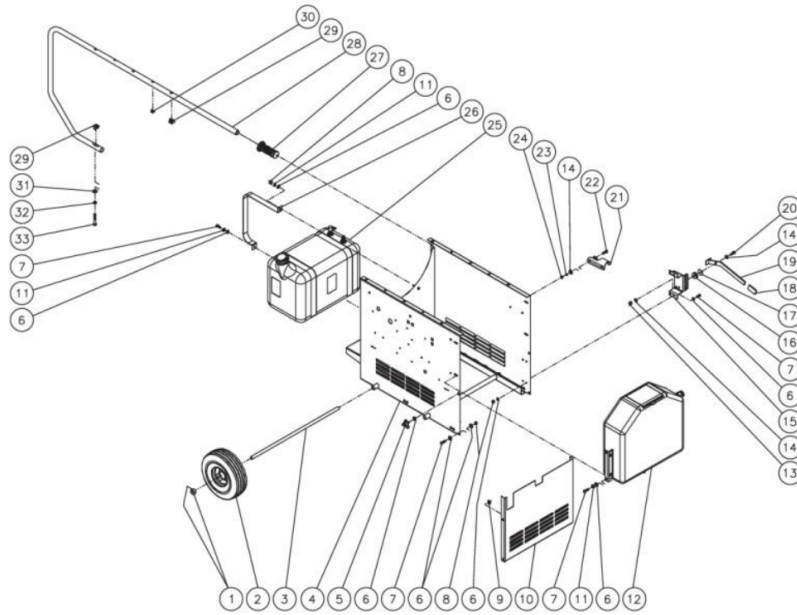
Id	Item #	Description	Quantity
1	46-1017	CORD-DIN CONNECTOR	1
2	N/A Sep.	BASE PLATE (SEE 44-0038)	1
3	46-1016	NUT-SOLENOID PISTON	1
4	44-0002	SOLENOID COIL (120V)	1

<b>Id</b>	<b>Item #</b>	<b>Description</b>	<b>Quantity</b>
5	N/A Sep.	SCREW (SEE 44-0038)	2
6	46-1012	PISTON	1
7	46-1009	BOLT	1
8	26-0150	WASHER	2
9	23-0083	ELBOW	1
10	44-0025	FUEL LINE	1
11	24-0082	PLUG	1
12	N/A Sep.	FUEL PUMP BODY (SEE 3-0020)	1
13	26-0109	COVER GASKET	1
14	19-0034	FUEL PUMP STRAINER	1
15	46-1005	FUEL PUMP COVER	1
16	46-1006	SCREW	4
17	N/A Sep.	SOLENOID BODY (SEE 44-0038)	1
	44-0038	FUEL SOLENOID- 120V (INC. 1-8, 17)	1
	3-0020	FUEL PUMP (INC. 11-16)	1



HHS-1002-0E1A / HHS-1002-0E1A (sn:0-99999999)

## CHASSIS ASSEMBLY



Id	Item #	Description	Quantity
1	33-0351	RETAINING COLLAR W/SET SCREW	4
2	14-0017	WHEEL W/MAG	4
3	20-0524	AXLE	2
4	5-0157A18	CHASSIS ASSEMBLY	1

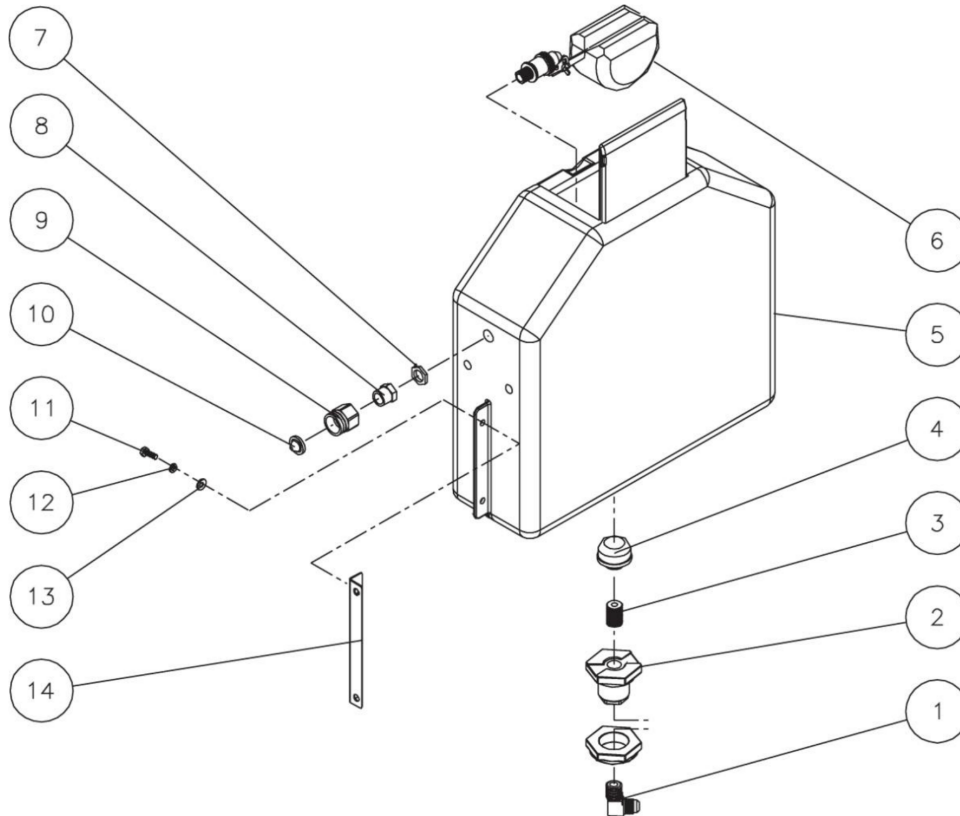
<b>Id</b>	<b>Item #</b>	<b>Description</b>	<b>Quantity</b>
5	7-0168	KNOB	2
6	28-0002	FLATWASHER	22
7	27-0015	BOLT	12
8	30-0155	HEX NUT	4
9	30-6026	CLIP NUT	2
10	20-0525A18	ACCESS DOOR	1
11	29-0006	LOCKWASHER	8
12	N/A Sep.	FLOAT TANK ASSEMBLY (SEE EXPLODED DRAWING)	1
13	30-0157	NUT	1
14	28-0003	FLATWASHER	4
15	20-0546A18	BRAKE	1
16	28-0057	FLATWASHER	1
17	33-0366	GROMMET	1
18	7-0170	HANDLE GRIP	1
19	20-0552A18	HANDLE BRAKE	1
20	27-0068	BOLT	1
21	20-0545A18	WAND HOLDER	1
22	27-0418	BOLT	2
23	29-0007	LOCKWASHER	2
24	30-0005	NUT	2
25	850-0303	FUEL TANK ASSEMBLY	1
26	20-0598A18	FUEL TANK STRAP	2
27	7-0167	HANDLE GRIP	2
28	7-0166A18	HANDLE	2
29	30-6025	CLIP NUT	8
30	30-6027	CLIP NUT	4
31	28-0023	WASHER	2
32	29-0008	LOCKWASHER	2
33	27-0121	BOLT	2

\*MUST ORDER IN ONE FOOT LENGTHS



HHS-1002-0E1A / HHS-1002-0E1A (sn:0-99999999)

## FLOAT TANK



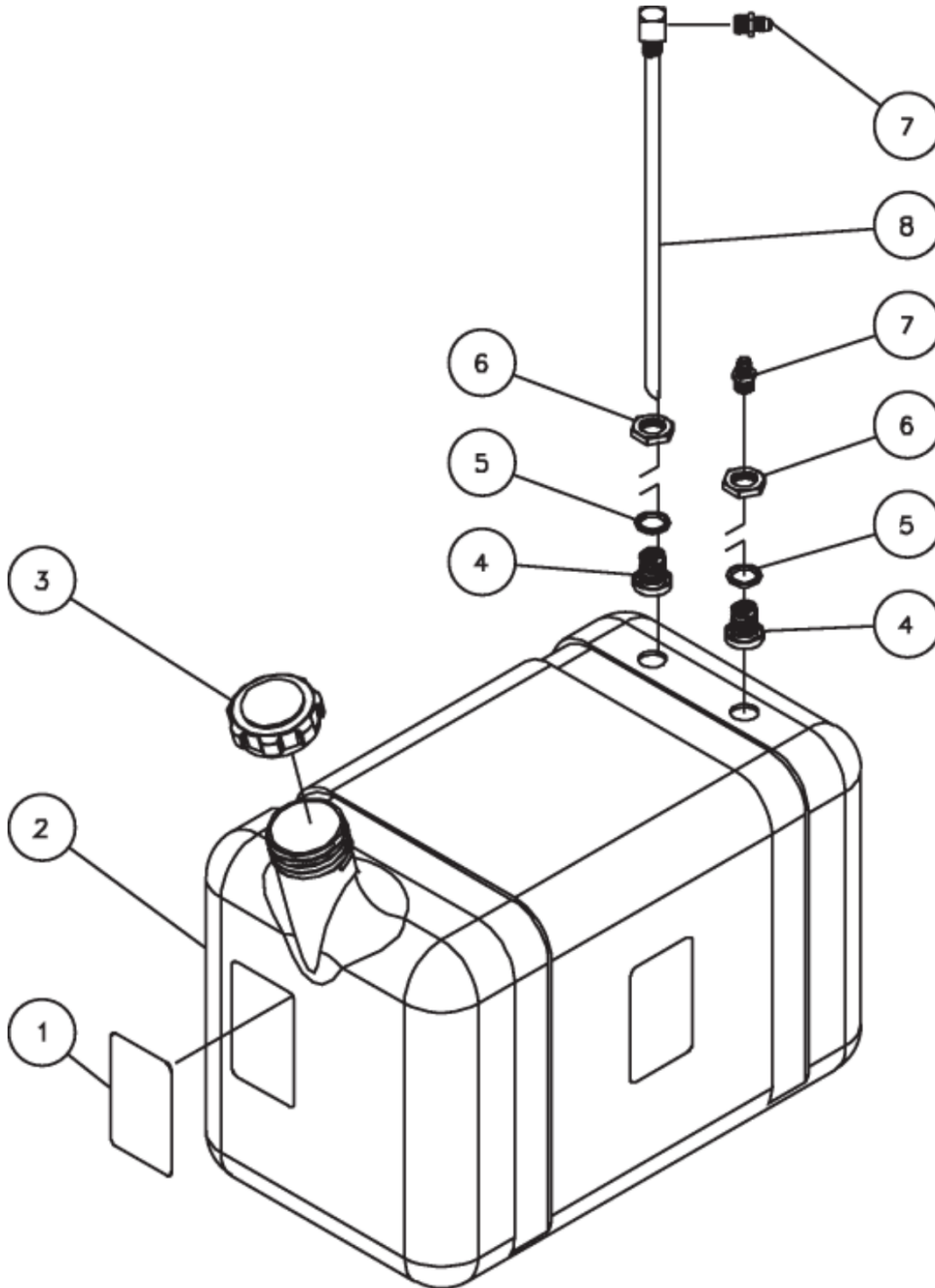
Id	Item #	Description	Quantity
1	23-0389	ELBOW	1
2	55-0886	BULKHEAD	1
3	23-0019	CLOSE NIPPLE (HHS-2004)	1
3	23-0403	CLOSE NIPPLE (HHS-1003)	1
3	23-0402	CLOSE NIPPLE (HHS-1002/303)	1
3	23-0392	CLOSE NIPPLE (HHS-3004)	1
4	19-0203	WATER TANK STRAINER	1
5	12-0124	FLOAT TANK	1
6	850-0238	FLOAT VALVE ASSEMBLY	1
7	23-0138	LOCKNUT	1
8	23-0016	BUSHING	1
9	23-0001	GARDEN HOSE ADAPTER	1

<b>Id</b>	<b>Item #</b>	<b>Description</b>	<b>Quantity</b>
10	19-0001	INLET STRAINER GASKET	1
11	27-0015	BOLT	4
12	29-0006	LOCKWASHER	4
13	28-0002	FLATWASHER	4
14	20-0599	FLOAT TANK BRACKET	2



HHS-1002-0E1A / HHS-1002-0E1A (sn:0-99999999)

## FUEL TANK ASSEMBLY



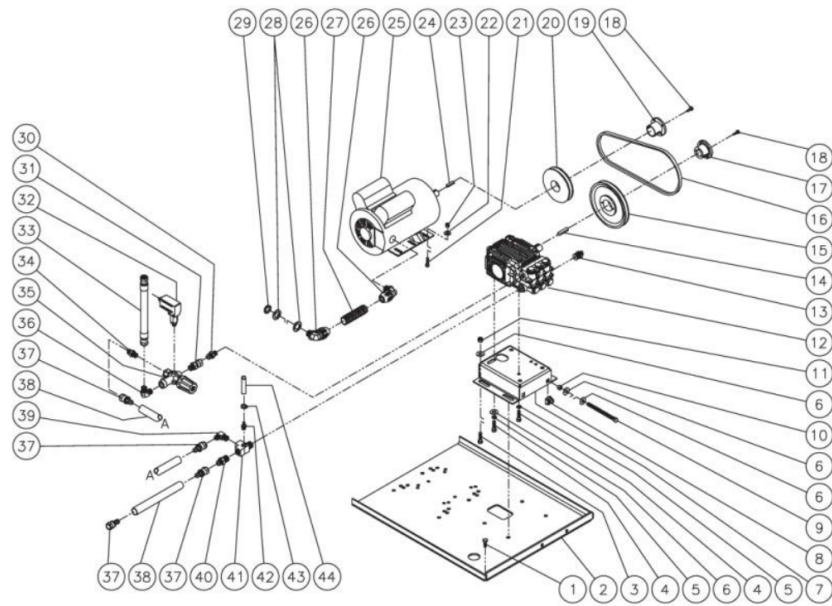
Id	Item #	Description	Quantity
1	34-1034	DECAL- CAUTION: RISK OF FIRE	1
2	12-0126	FUEL TANK	1
3	12-0033	VENTED FUEL CAP	1

<b>Id</b>	<b>Item #</b>	<b>Description</b>	<b>Quantity</b>
4	23-0408	BULKHEAD FITTING	2
5	25-0427	O-RING	2
6	23-0409	NUT	2
7	23-0247	FLARE FITTING	2
8	33-0352	FUEL PICK-UP	1



HHS-1002-0E1A / HHS-1002-0E1A (sn:0-99999999)

## MOTOR/PUMP ASSEMBLY



Id	Item #	Description	Quantity
1	27-0066	BOLT	1
2	5-0152A18	BASEPLATE	1
3	27-0118	BOLT	4
4	27-8884	BOLT	4

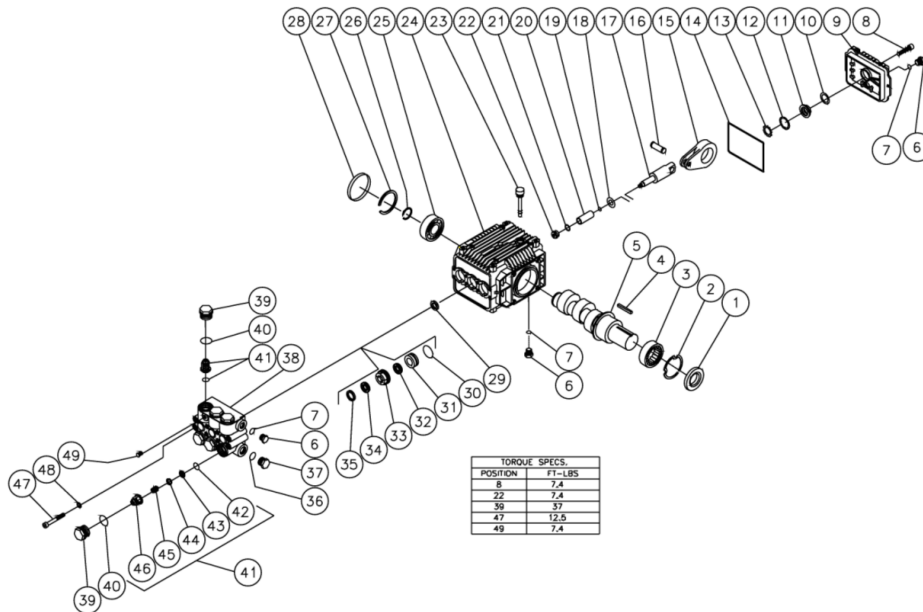
<b>Id</b>	<b>Item #</b>	<b>Description</b>	<b>Quantity</b>
5	29-0054	LOCKWASHER	4
6	28-0023	FLATWASHER	9
7	5-0153A18	PUMP HAT	1
8	30-6025	CLIP NUT	2
9	27-0133	BOLT	2
10	30-0006	HEX NUT	2
11	30-0159	NUT	4
12	3-0210	PUMP W/KEY	1
13	22-0005	HEAT DUMP VALVE	1
14	43-0091	KEY	1
15	10-0103	SHEAVE	1
16	11-0023	BELT	1
17	9-0017	BUSHING	1
18	27-0015	BOLT W/BUSHING	4
19	9-0037	BUSHING	1
20	10-0049	SHEAVE	1
21	27-0067	BOLT	4
22	28-0003	FLATWASHER	4
23	30-0157	NYLOCK	4
24	43-0078	KEY	1
25	2-0118	MOTOR W/KEY	1
26	32-0254	CONDUIT	2
27	32-0253	CONDUIT FLEX *(THREE FEET REQUIRED)	1
28	28-0051	FLATWASHER	2
29	32-0108	LOCKNUT	1
30	24-0002	NIPPLE	1
31	24-0037	SWIVEL	1
32	22-0171	PRESSURE SWITCH	1
33	15-0221	HIGH PRESSURE HOSE ASSEMBLY	1
34	23-0370	NIPPLE	1
35	850-0252	UNLOADER ASSEMBLY	1
36	24-0092	ELBOW	1
37	23-0360	HOSE BARB	4
38	15-0200	HOSE *(THREE FEET REQUIRED)	1
39	23-0389	ELBOW	1
40	23-0361	NIPPLE	1
41	23-0388	STREET TEE	1
42	23-0051	HOSE BARB	1
43	42-0004	CLAMP	1

Id	Item #	Description	Quantity
44	15-0021	DETERGENT HOSE *(THREE FEET REQUIRED) *MUST ORDER IN ONE FOOT LENGTHS.	1



HHS-1002-0E1A / HHS-1002-0E1A (sn:0-99999999)

## PUMP ASSEMBLY



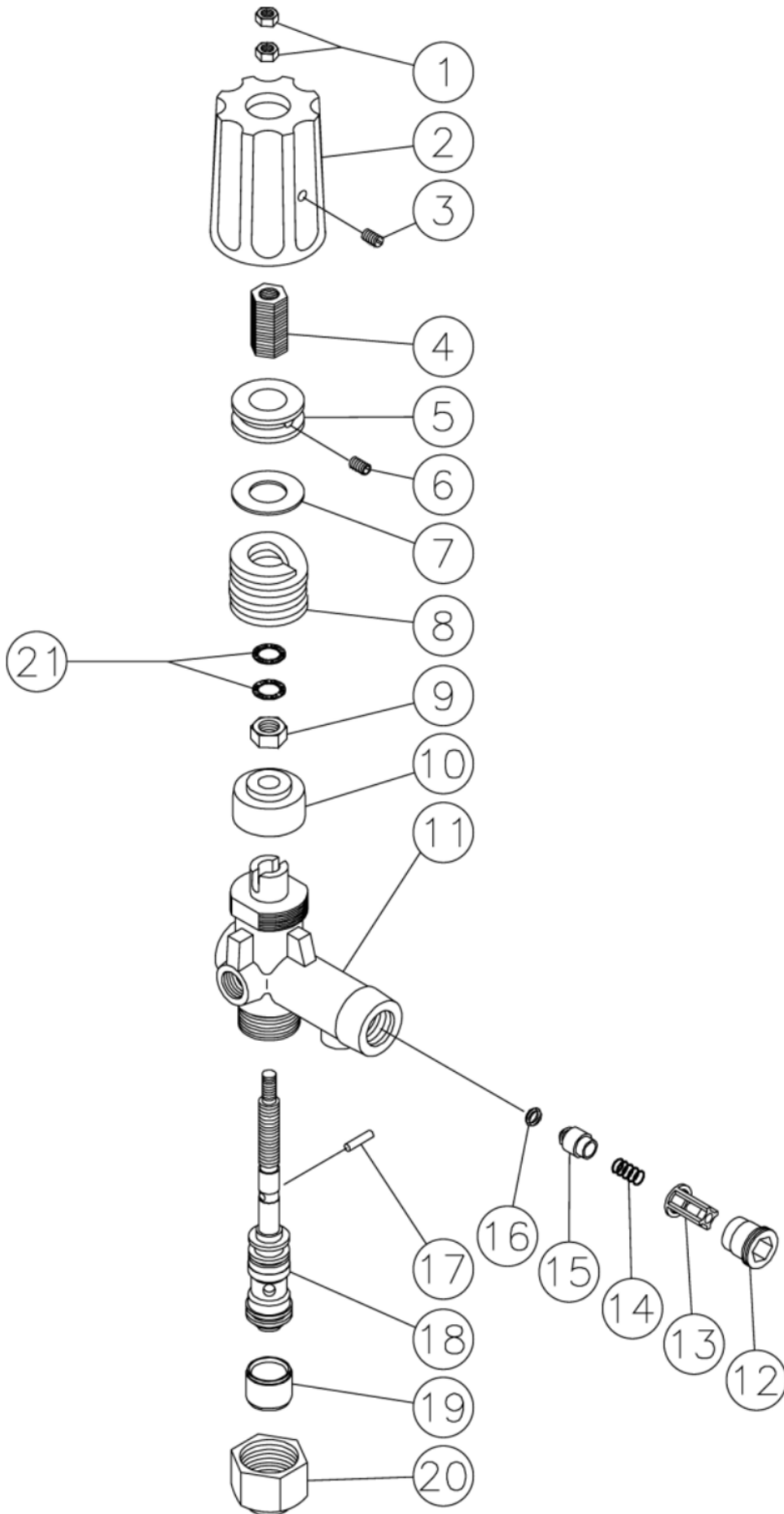
Id	Item #	Description	Quantity
1	26-0250	OIL SEAL	1
2	46-0667	RETAINING RING	1
3	48-0059	BEARING	1
4	43-0091	KEY	1
5	46-0754	CRANKSHAFT	1
6	39-0086	PLUG	3
7	25-0325	O-RING	3
8	27-8888	BOLT	6
9	46-0719	CRANKCASE COVER	1
10	25-0370	O-RING	1
11	46-0670	OIL SIGHT GLASS	1
12	46-0824	REFLECTOR	1
13	46-0671	RETAINER	1
14	25-0398	O-RING	1
15	46-0720	CONNECTING ROD	3
16	46-0721	PISTON PIN	3

<b>Id</b>	<b>Item #</b>	<b>Description</b>	<b>Quantity</b>
17	46-0722	PLUNGER ROD	3
18	28-1022	WASHER	3
19	25-0371	O-RING	3
20	46-0723	PISTON	3
21	26-0187	WASHER	3
22	30-6016	NUT	3
23	39-0090	OIL DIPSTICK	1
24	46-0724	CRANKCASE	1
25	48-0063	BEARING	1
26	46-0732	RETAINING RING	1
27	46-0676	RETAINING RING	1
28	46-0725	BEARING CAP	1
29	26-0193	OIL SEAL	3
30	25-0399	O-RING	3
31	46-0726	RETAINER	3
32	N/A Sep.	LOW PRESSURE SEAL (SEE 70-0181)	3
33	46-0728	PACKING RETAINER	3
34	N/A Sep.	V-PACKING (SEE 70-0181)	3
35	N/A Sep.	SUPPORT RING (SEE 70-0182)	3
36	25-0372	O-RING	1
37	39-0088	PLUG	1
38	46-0730	MANIFOLD	1
39	39-0087	VALVE CAP	6
40	25-0160	O-RING	6
41	N/A Sep.	SINGLE VALVE ASSEMBLY (INC. 42-46) (SEE 70-0161)	6
42	25-0386	O-RING	6
43	N/A Sep.	VALVE SEAT (SEE 70-0161)	6
44	N/A Sep.	VALVE PLATE (SEE 70-0161)	6
45	N/A Sep.	VALVE SPRING (SEE 70-0161)	6
46	N/A Sep.	VALVE CAGE (SEE 70-0161)	6
47	27-8875	HEAD BOLT	8
48	29-0153	LOCKWASHER	8
49	39-0097	PLUG	1
KIT	70-0181	HIGH PRESSURE SEALS (INC. 3 EACH 30, 32, 34)	
KIT	70-0182	SUPPORT RINGS (INC. 3 EACH 35)	
KIT	70-0161	VALVES (INC. 6 EACH 42-46)	



HHS-1002-0E1A / HHS-1002-0E1A (sn:0-99999999)

# UNLOADER

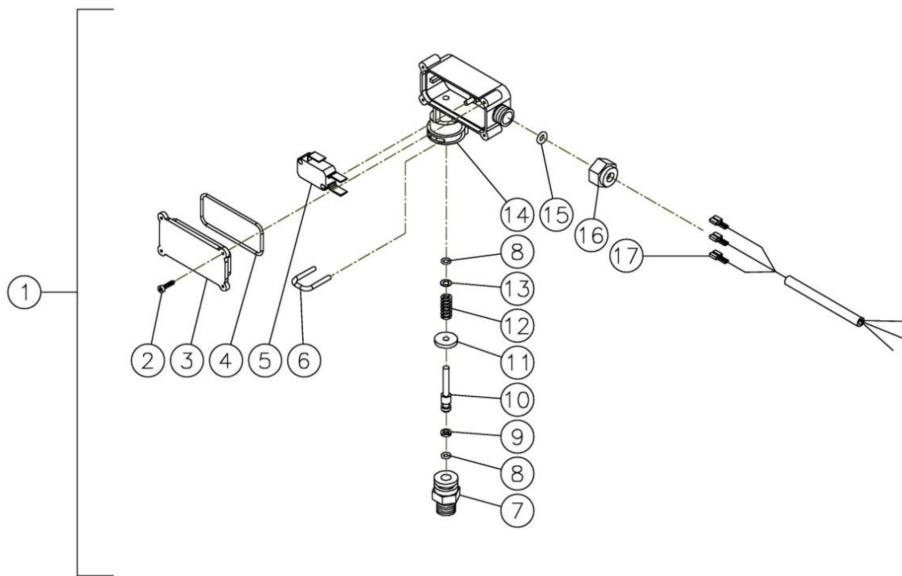


<b>Id</b>	<b>Item #</b>	<b>Description</b>	<b>Quantity</b>
1	8-0362	HEX NUT	2
2	7-0098	COVER	1
3	27-4280	SET SCREW	1
4	8-0363	ADJUSTING INSERT- BRASS	1
5	8-0364	ADJUSTMENT NUT	1
6	8-0365	SET SCREW	1
7	8-0366	GLIDE RING	1
8	49-0104	SPRING	1
9	8-0367	HEX NUT	1
10	8-0368	BUSHING	1
11	8-0369	UNLOADER BODY	1
12	8-0269	RETAINER	1
13	8-0104	VALVE HOUSING	1
14	49-0023	SPRING	1
15	8-0105	VALVE	1
16	25-0036	O-RING	1
17	8-0372	CYLINDER PIN	1
18	70-0243	PISTON REPAIR KIT	1
19	8-0371	SPACER	1
20	8-0157	STOP NUT	1
21	29-0154	WASHER	2
	70-0244	CHECK VALVE REPAIR KIT (INCLUDES 13-16)	



HHS-1002-0E1A / HHS-1002-0E1A (sn:0-99999999)

## PRESSURE SWITCH



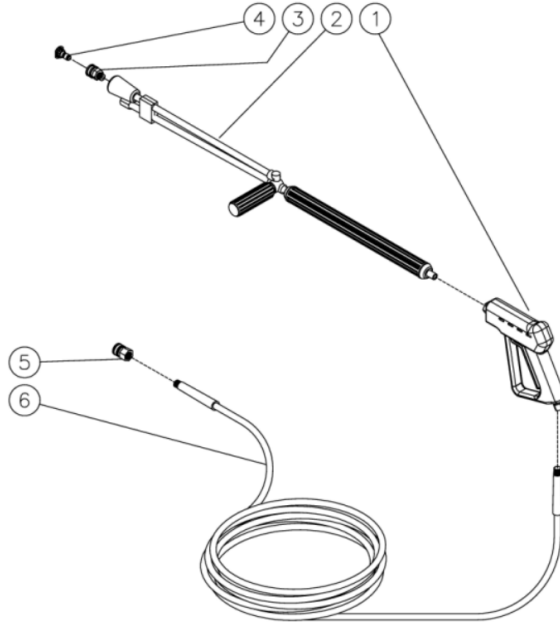
Id	Item #	Description	Quantity
1	22-0171	PRESSURE SWITCH	1
2	N/A	SCREW	4
3	N/A	COVER	1
4	N/A Sep.	O-RING (SEE 70-0306)	1
5	N/A	MICRO SWITCH	1
6	N/A	RETAINER CLIP	1
7	N/A	BODY	1
8	N/A Sep.	O-RING (SEE 70-0306)	2
9	N/A Sep.	BACK-UP RING (SEE 70-0306)	1
10	N/A	PISTON	1
11	N/A	WASHER	1
12	49-0144	SPRING	1
13	N/A	WASHER	1
14	N/A	PLASTIC HOUSING	1
15	N/A Sep.	O-RING (SEE 70-0306)	1
16	N/A	NUT	1

<b>Id</b>	<b>Item #</b>	<b>Description</b>	<b>Quantity</b>
17	N/A	WIRE ASSEMBLY	1
	70-0306	O-RING REPAIR KIT (INC. 4, 8-9, 15)	



HHS-1002-0E1G / HHS-1002-0E1G (sn:0-99999999)

## GUN/WAND/HOSE ASSEMBLY



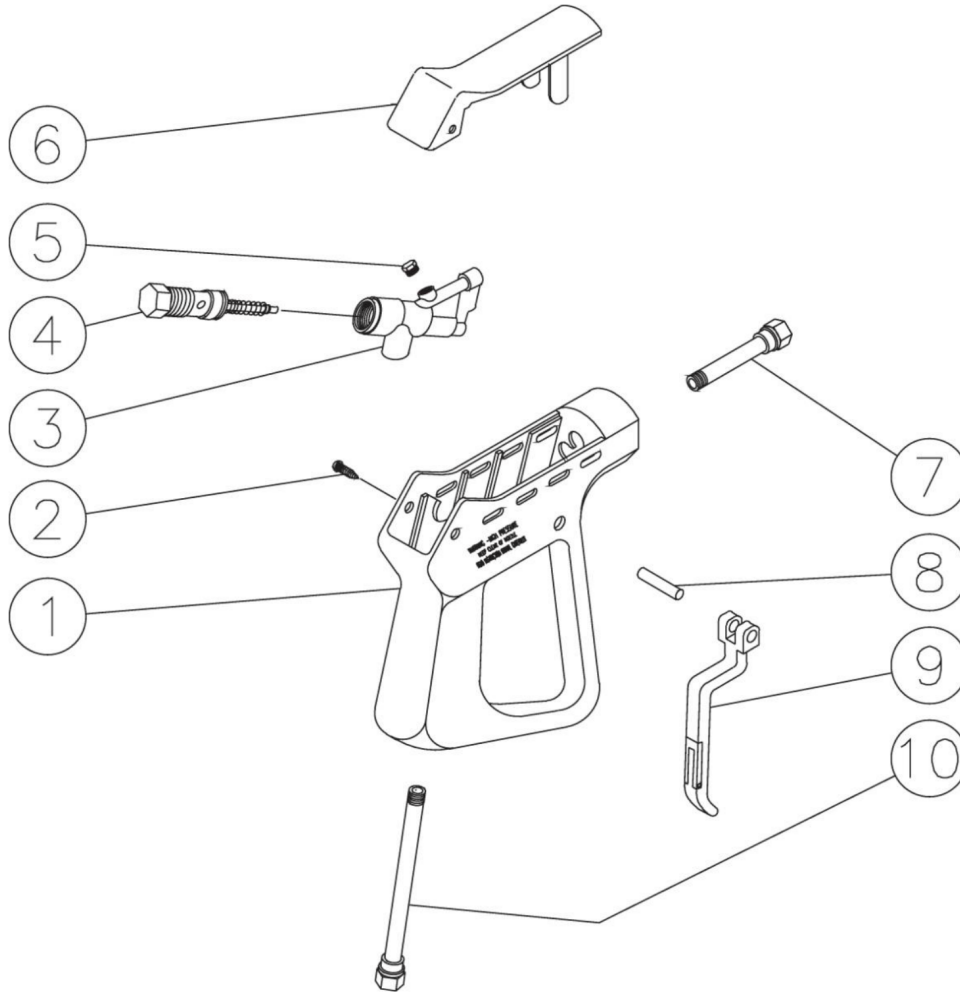
Id	Item #	Description	Quantity
1	16-0001	GUN	1
2	14-0416	DUAL LANCE ASSEMBLY (HHS-1002/1003/2004/3004)	1
2	14-0417	DUAL LANCE ASSEMBLY (HHS-3005)	1
3	18-0028	NOZZLE- 0004 (HHS-1002/3004)	1

<b>Id</b>	<b>Item #</b>	<b>Description</b>	<b>Quantity</b>
3	18-0029	NOZZLE- 1504 (HHS-1002/3004)	1
3	18-0030	NOZZLE- 2504 (HHS-1002/3004)	1
3	18-0031	NOZZLE- 4004 (HHS-1002/3004)	1
3	18-0013	NOZZLE- 0006 (HHS-2004)	1
3	18-0014	NOZZLE- 1506 (HHS-2004)	1
3	18-0043	NOZZLE- 2506 (HHS-2004)	1
3	18-0044	NOZZLE- 4006 (HHS-2004)	1
3	18-0035	NOZZLE- 0005.5 (HHS-1003/3005)	1
3	18-0041	NOZZLE- 1505.5 (HHS-1003/3005)	1
3	18-0062	NOZZLE- 2505.5 (HHS-1003/3005)	1
3	18-0132	NOZZLE- 4005.5 (HHS-1003/3005)	1
4	17-0004	SOCKET	1
5	15-0146	HIGH PRESSURE HOSE ASSEMBLY (HHS-1002/1003/2004)	1
5	15-0166	HIGH PRESSURE HOSE ASSEMBLY (HHS-3004/3005)	1



HHS-1002-0E1G / HHS-1002-0E1G (sn:0-99999999)

## GUN ASSEMBLY



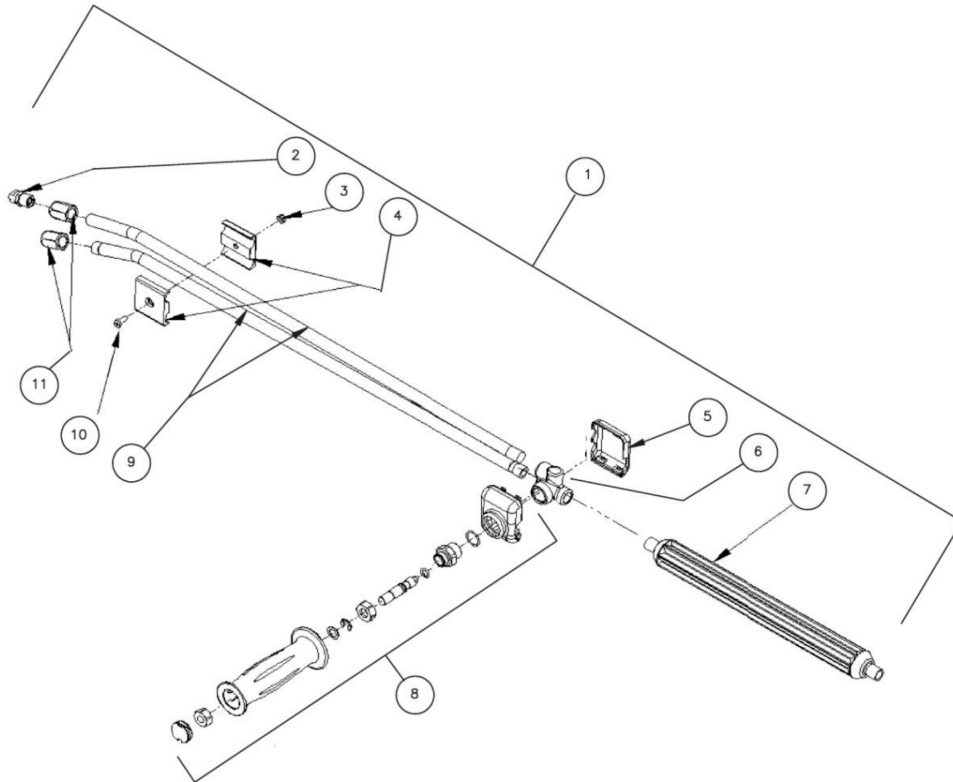
Id	Item #	Description	Quantity
1	16-0008	PLASTIC HOUSING	1
2	27-3230	SCREW	2
3	16-0012	BRASS HOUSING	1
4	70-0055	GUN REPAIR KIT	1
5	39-0024	BRASS PLUG	1
6	16-0009	PLASTIC COVER	1
7	16-0013	PIPE ASSEMBLY	1
8	16-0063	TRIGGER PIN	1
9	16-0010	TRIGGER/SAFETY LOCK-OFF	1

<b>Id</b>	<b>Item #</b>	<b>Description</b>	<b>Quantity</b>
10	16-0016	PIPE ASSEMBLY- INLET	1
	16-0001	COMPLETE GUN ASSEMBLY	1



HHS-1002-0E1G / HHS-1002-0E1G (sn:0-99999999)

## DUAL LANCE ASSEMBLY



Id	Item #	Description	Quantity
1	16-0416	DUAL LANCE ASSEMBLY - 36" (INC. 2-11)	1
1	16-0417	DUAL LANCE ASSEMBLY - 48" (INC. 2-11)	1
2	18-0110	DETERGENT NOZZLE	1
3	30-6001	NUT	1
4	16-0420	CLAMP	2
5	N/A Sep.	LOWER VALVE COVER (SEE 16-0416 OR 16-0417)	1
6	N/A Sep.	HOUSING (SEE 16-0416 OR 16-0417)	1
7	16-0419	LANCE	1
8	70-0419	HANDLE REPAIR KIT	1
9	N/A Sep.	LANCE (SEE 16-0416)	2
9	N/A Sep.	LANCE (SEE 16-0417)	2
10	27-8196	SCREW	1

<b>Id</b>	<b>Item #</b>	<b>Description</b>	<b>Quantity</b>
11	24-0280	NOZZLE ADAPTER	2