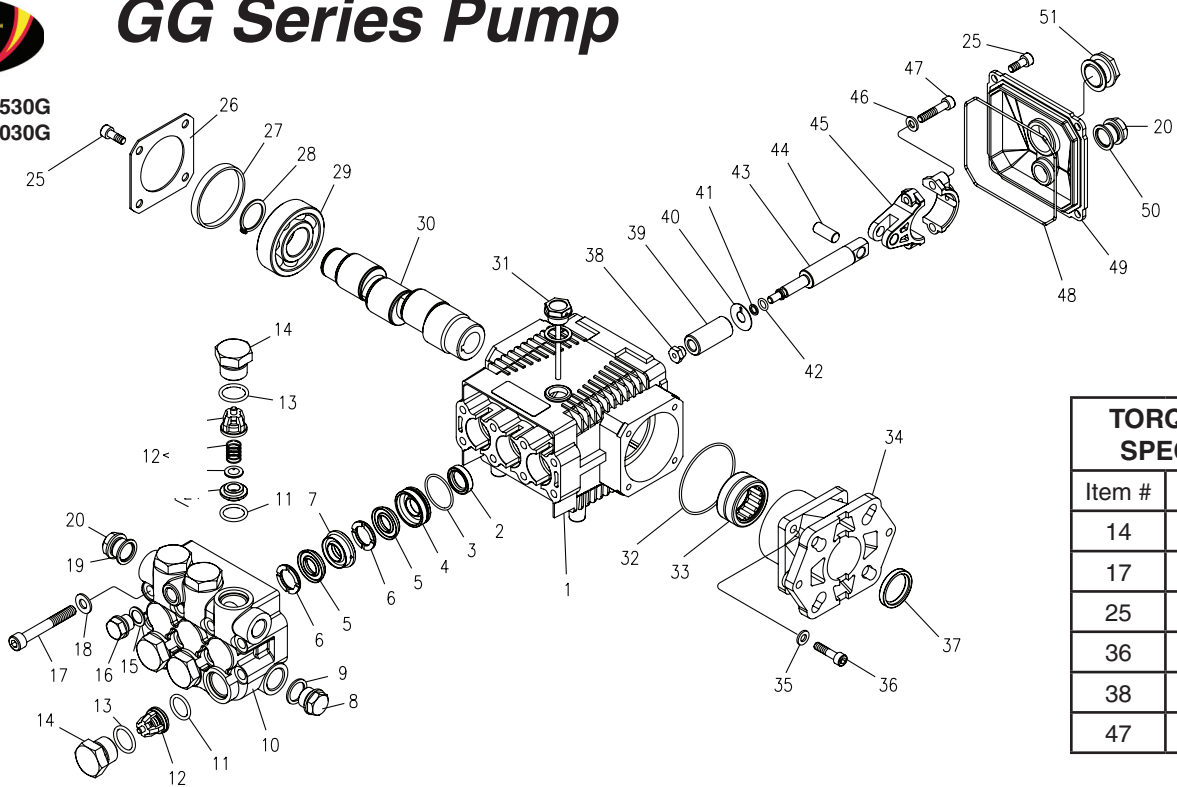




GG Series Pump

5-1950 GG2530G
5-1954 GG3030G



TORQUE SPECS	
Item #	Ft.-lbs
14	65
17	18
25	7.6
36	8
38	7
47	13

PARTS LIST

ITEM	PART NO.	DESCRIPTION	QTY	ITEM	PART NO.	DESCRIPTION	QTY	ITEM	PART NO.	DESCRIPTION	QTY
1	70-020292	Crankcase	1	18	70-140001	Washer	8	37	70-000104	Crankshaft Seal	1
2*	See Kit Below	Plunger Oil Seal	3	19	70-060306	Copper Washer 3/8"	1	38*	70-030211	Plunger Nut	3
3*	70-060181	O-Ring Ø1.78 x 28.30	3	20	70-160117	Brass Plug 3/8"	2	39*	See Kit Below	Plunger, 15mm	3
4*	70-120120	Pressure Ring, 15mm	3	25	70-180112	Hexagonal Screw	9	40*	70-140027	Copper Spacer	3
5*	See Kit Below	"V" Seal, 15mm	6	26	70-020318	Bearing Cover	1	41*	70-060130	O-Ring Ø1.78x5.28	3
6*	70-030048	Support Ring 15mm	6	27	70-020502	Seal Bearing	1	42*	70-000913	Teflon Ring	3
7*	70-030049	Intermediate Ring 15mm	3	28	70-150003	Snap Ring	1	43	70-000320	Plunger Rod	3
8	70-160120	Brass Plug, 1/2"	1	29	70-021300	Ball Bearing	1	44	70-150204	Connecting Rod Pin	3
9	70-060307	Copper Washer 1/2"	1	30	70-000498	Crankshaft (2530G)	1	45	70-010008	Connecting Rod	3
10	70-160228	Manifold Housing	1		70-000499	Crankshaft (3030G)	1	46	70-140102	Spring Washer	6
11*	70-060155	O-Ring Ø1.78 x 15.54	6	31	70-160012	Oil Dip Stick	1	47	70-180132	Connecting Rod Screw	6
12*	See Kit Below	Valve Assembly	6	32	70-060183	O-Ring 3.53 x 55.56	1	48	70-060104	O-Ring 2.62 x 107.62	1
13*	70-060122	O-Ring Ø2.62 x 18.77	6	33	70-020011	Needle Roller Bearing	1	49	70-020352	Crankcase Cover	1
14	70-160147	Valve Plug	6	34	70-050096	Engine Flange	1	50	70-060302	Gasket, G3/8	1
15	70-060308	Washer, Copper	1	35	70-140002	Spring Washer	4	51	70-070005	Sightglass G3/8	1
16	70-160121	Brass Plug G1/4	1	36	70-180126	Flange Screw	4				
17	70-180118	Manifold Stud Bolt	8								

* Part available in kit (See below)

REPAIR KITS

REPAIR KIT NUMBER	70-261408	70-261409	70-261404	70-260028	70-260826
KIT DESCRIPTION	Plunger Seal 15mm	Complete Seal Packing 15mm	Plunger 15mm	Complete Valve	Plunger Oil Seals
ITEM NUMBERS INCLUDED	3, 5, 6	2, 3, 4, 5, 6, 7	38, 39, 40, 41, 42	11, 12, 13	2
NUMBER OF CYLINDERS KIT WILL SERVICE	3	1	1	6	3