



M250

All Models

**CONCRETE CUTTING EQUIPMENT
OPERATION, MAINTENANCE,
AND PARTS MANUAL**

**Single Speed, Self-Propelled
MRC 030119**

Keep your manual to order parts.

PRODUCT SPECIFICATIONS

UNIVERSAL SPECS	
Blade Capacity	14-24"
Max Cut Depth	10"
Depth Control	Mechanical
Raise and Lower	Mechanical
Speed	0-200 FPM
Spindle	1-1/4" w/Pillow Block Bearings
Arbor Size	1"
Configurations	Single Speed

DIMENSIONS – STANDARD FRAME	
Height	37"
Width	23-1/2"
Length	32"

25HP GAS MODELS	
Fuel Capacity	2 gal.
Number of Strokes	4
Weight	230 lbs.
Manufacturer	Kohler

10HP ELECTRIC MODELS	
Power	Single or 3-Phase
Voltage	230 or 480V
Weight	220 lbs.
Manufacturer	Baldor

30HP HYDRAULIC MODEL	
Max Pressure	3000 psi
Flow	20 GPM for 1800 RPM
Weight	209 lbs.
Manufacturer	Cross

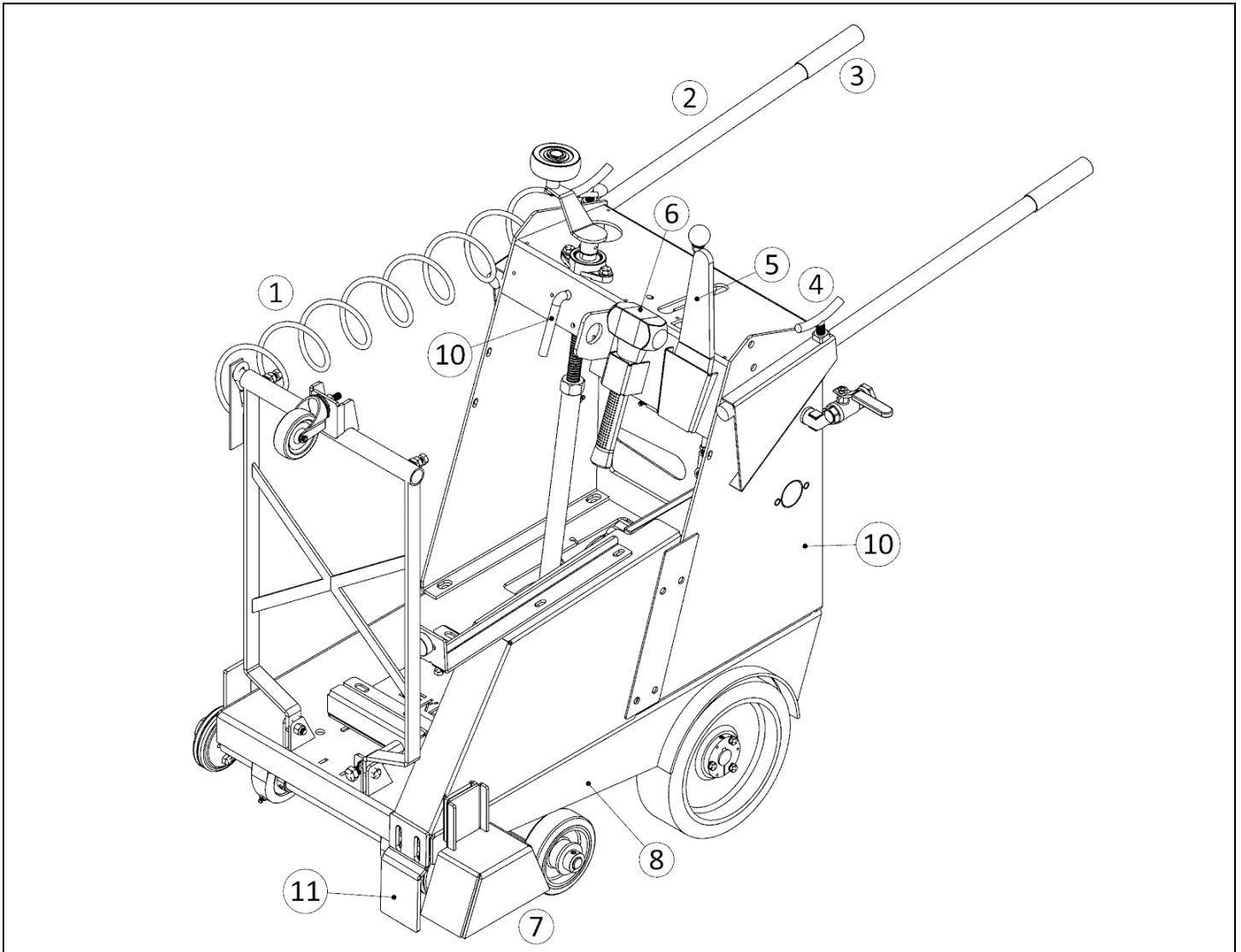
25HP PROPANE MODELS	
Fuel Capacity	5 gal. LP Tank
Number of Strokes	4
Weight	250 lbs.
Manufacturer	Kohler

NOTE

The required pressure and flow for the 30HP hydraulic motor are to achieve maximum operating power. At 2500 psi, the motor outputs 900 in-lbs. of torque at 23HP. The rotation of the motor is reversible.

ASSEMBLIES

Frame Breakdown



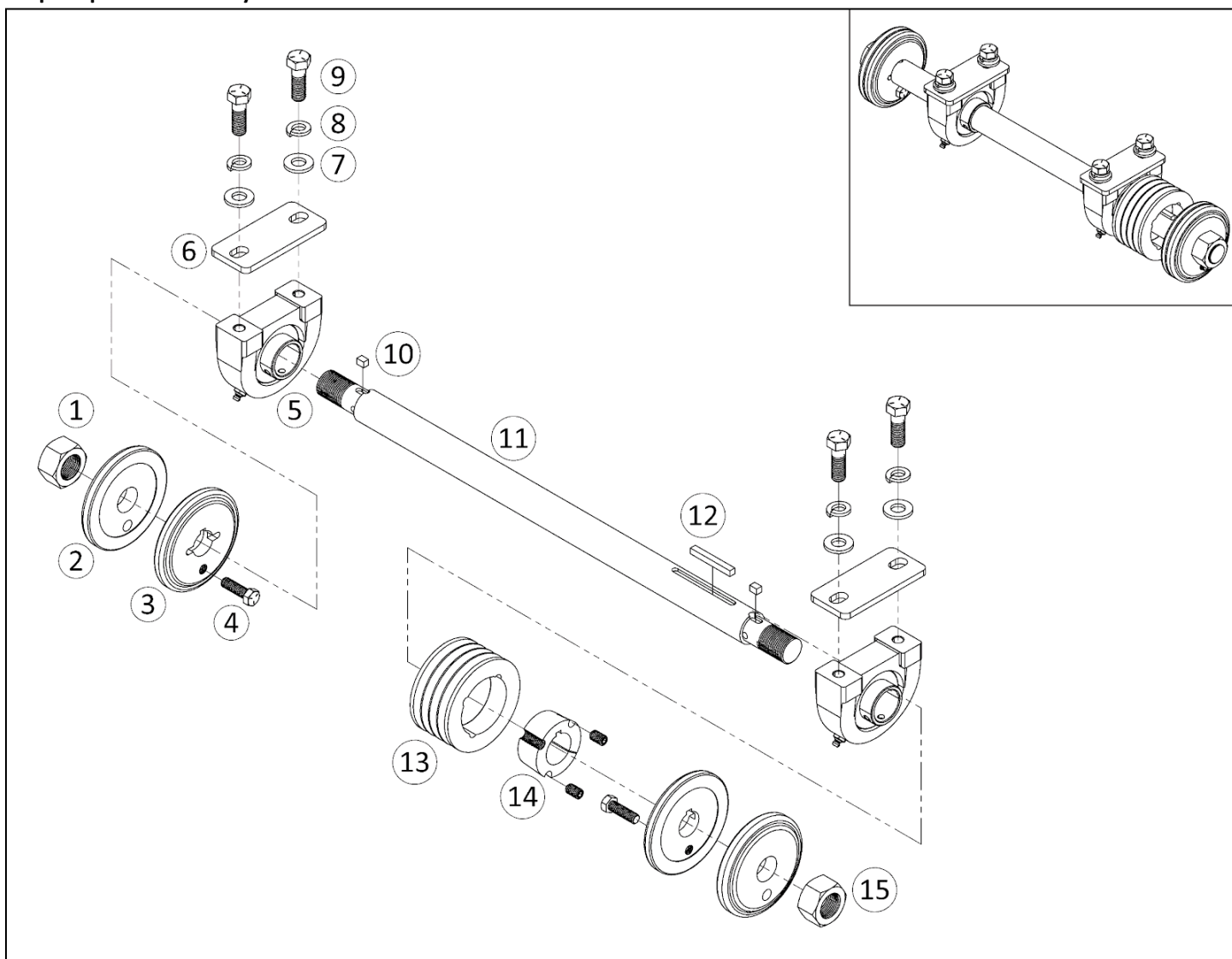
ITEM	P.N.	DESCRIPTION	QTY.
1	22131	Pointer Cable	1
2	45102	30" Handlebar	2
3	45113	1" Handlebar Grip	2
4	18184	½"-13 Y-Lock	2
5	48207	1-1/2" Blade Wrench	1
6	48190	Hammer	1
7	17179	4-5" Collar Guard	1
8	18168	Standard Frame	1
	18182	Upcut Frame	1

ITEM	P.N.	DESCRIPTION	QTY.
9	18533	Tower (10E)	1
	18534	Tower (25G, 25LP)	1
	18535	Tower (30H)	1
10	15184	½"-13 L-Lock	1
11	18343	Belt Protector (Standard RPM)	1
	18442	Belt Protector (Low RPM)	1
	18443	Belt Protector (X-Low RPM)	1

Note: The different tower models are customized from the same universal tower (shown above).

ASSEMBLIES

Output Spindle Assembly



ITEM	P.N.	DESCRIPTION	QTY.
1	15200	1"-14 Nut, LHT	1
2	15155	4" Outer Blade Collar	2
3	15171	4" Inner Blade Collar, 100 Series	2
4	15759	3/8-16 x 1-1/4" HHCS, Grade 8	2
5	10161	1-1/4" TPB Bearing	2
6	10350	Spacer (May Be Absent)	2
7	15317	1/2" SAE Flat Washer	4
8	15950	1/2" Split Washer	4

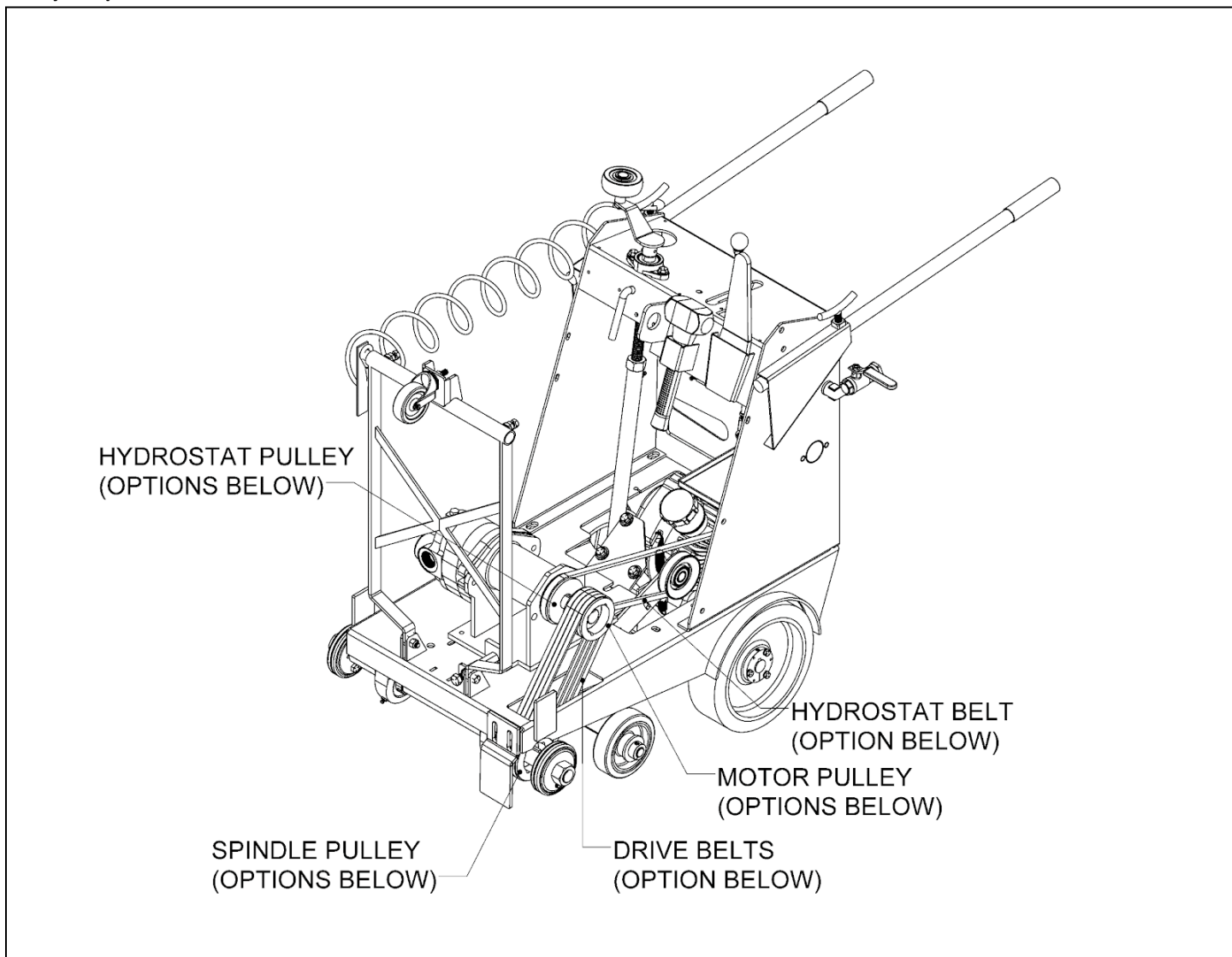
ITEM	P.N.	DESCRIPTION	QTY.
9	15241	1/2-13 x 1-1/2" HHCS, Partial	4
10	10902	1/4 x 0.35" Square Key	2
11	10310	1-1/4 x 23-1/2" Spindle	1
12	10279	1/4 x 2" Square Key	1
13	13203	1610-4/3V3.65 Pulley	1
14	10211	1610 x 1-1/4" Taper Lock	1
15	15199	1"-14 Nut, RHT	1

The spindle and motor pulleys, as well as the associated taper locks, vary between series' model.

Note: The pulley and corresponding taper lock vary between models. [The pulley shown in the drawing above pertains to the M250-25G and M250-30H models.](#) A breakdown is shown on the following page.

ASSEMBLIES

Pulleys, Taper Locks, and Belts



MODEL	SPINDLE PULLEY	P.N.	MOTOR PULLEY	P.N.	MOTOR TAPER LOCK	P.N.	DRIVE PULLEY	P.N.
10E	1610-2/3V3.35	13216	1610-2/3V3.65 (24" BG) 1610-2/3V4.12 (18" BG) 1610-2/3V5.30 (14" BG)	13214 13221 13175	1610 x 1-3/8" Taper Lock	1017 7	1-3/8" X 3.5" Pulley	1368 0
25G	1610-4/3V3.65	13203	1108-4/3V2.80 (XX" BG) 1610-4/3V3.35 (XX" BG)	13243 13202	1108 x 1-1/8" Taper Lock	1039	1-1/8" x 3.5" Pulley	1367 8
25G-U					1610 x 1-1/8" Taper Lock	3 1021 0		
25LP					1108 x 1" Taper Lock 1610 x 1" Taper Lock	1039 2 1021 4	1 x 3.5" Pulley	1321 2
30H	1610-4/3V3.65	13203	1610-4/3V3.35	13202	1610 x 1-1/8" Taper Lock	1021 0	1-1/8" x 3.5" Pulley	1367 8

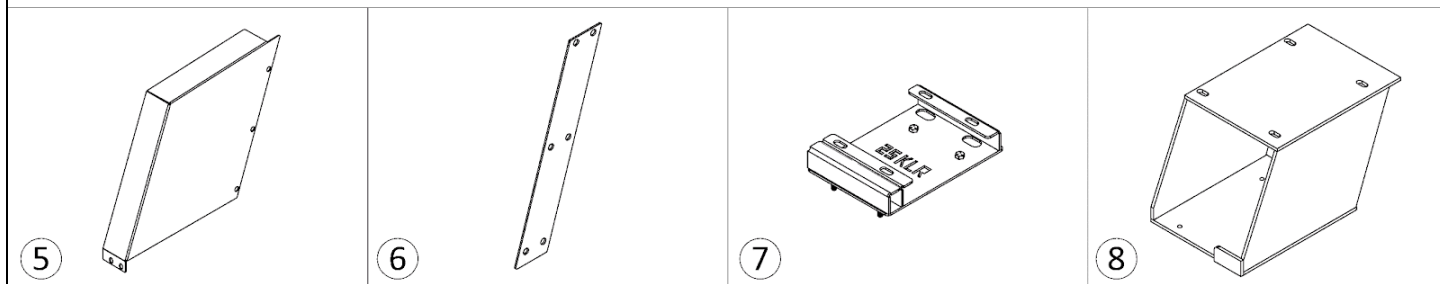
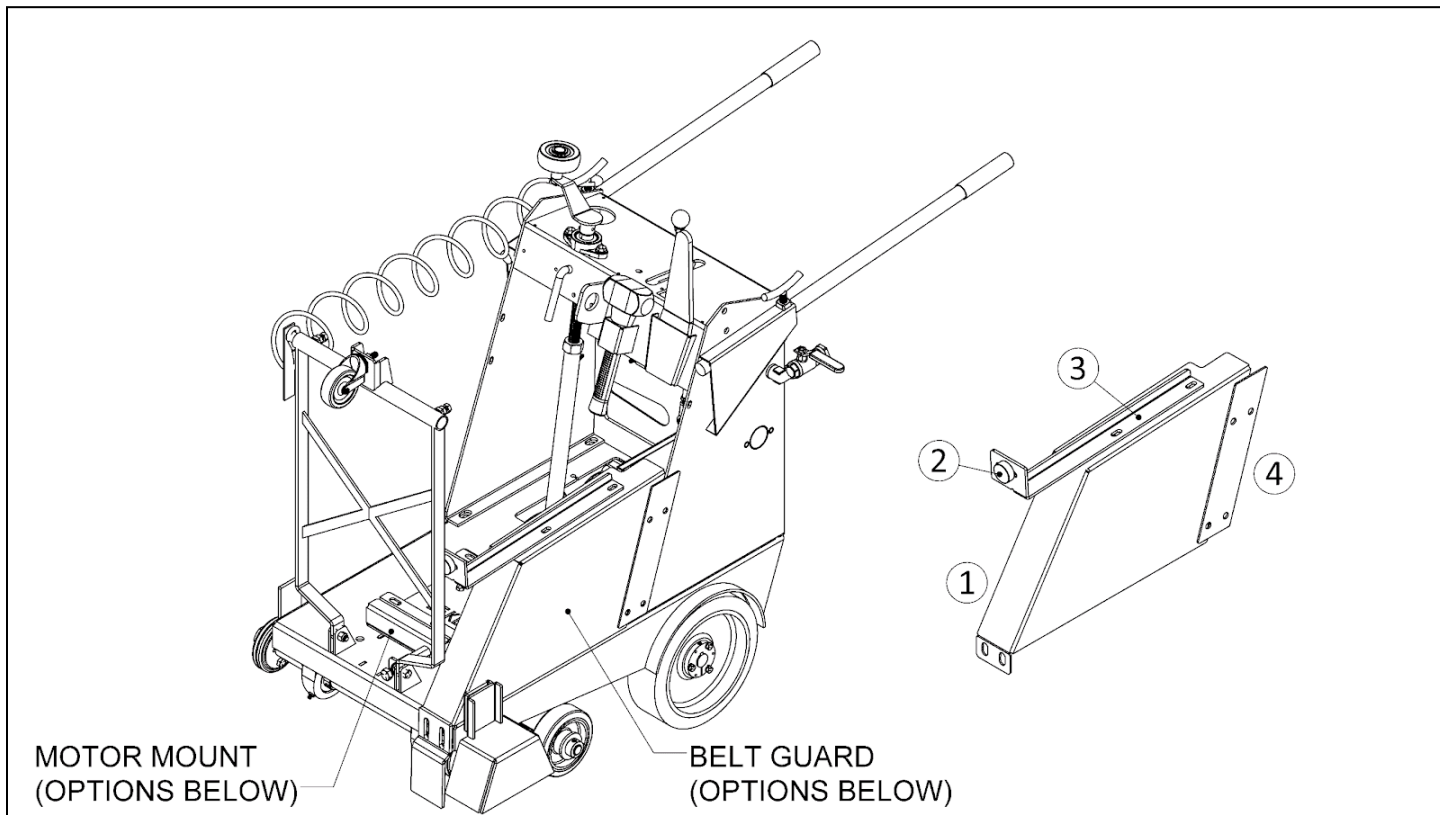
Note: All spindle pulleys use a 1610 x 1-1/4" taper lock (P.N. 10211).

MODEL	DRIVE BELT/P.N.	QTY.	HYDROSTAT BELT/P.N.	QTY.
-------	-----------------	------	---------------------	------

ASSEMBLIES

10E	2/3VX530 (Low RPM) 2/3VX560 (High RPM)	1	AX46 (Low RPM) AX48 (High RPM)	1
25G	2/3VX400 (X-Low RPM) 2/3VX415 (Low RPM)	2	AX45 (X-Low RPM) AX43 (Low RPM)	
25LP				
25G-U				
30H	2/3VX335		AX44	

Belt Guards and Motors Mounts

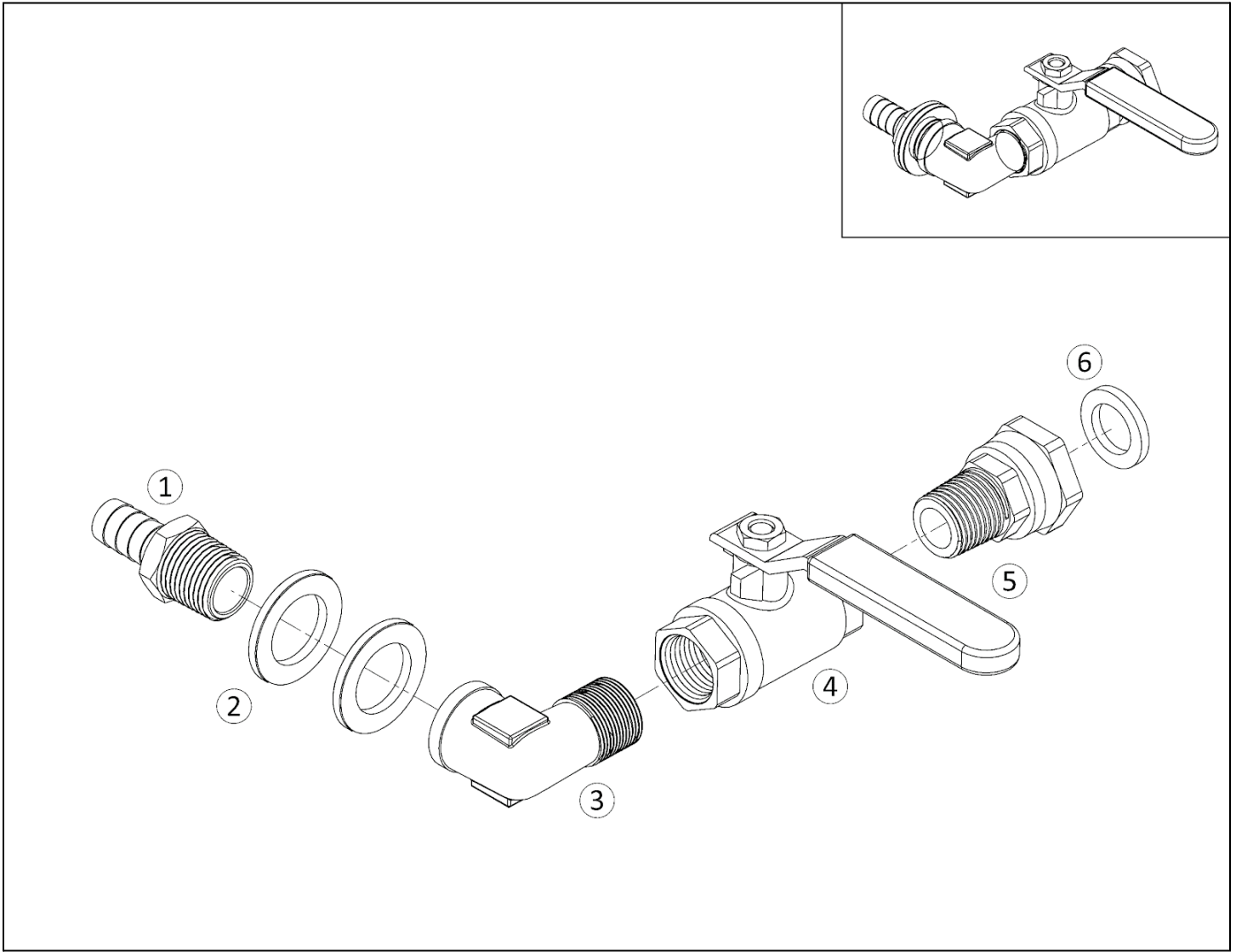


ITEM	P.N.	DESCRIPTION	QTY.
1	17141	Belt Guard (25G, 25LP, 30H)	1
2	18189	Pointer Stop Bumper	1
3	18724	Pointer Stop Bracket (Long)	1
	18649	Pointer Stop Bracket (Short, 10E)	1
4	17132	Belt Guard Plate (25G, 25LP, 30H)	1

ITEM	P.N.	DESCRIPTION	QTY.
5	17129	Belt Guard (10E)	1
6	17131	Belt Guard Plate (10E)	1
7	18364	Motor Mount (25G, 25LP)	1
8	18365	Motor Mount (10E)	1

ASSEMBLIES

Water Inlet

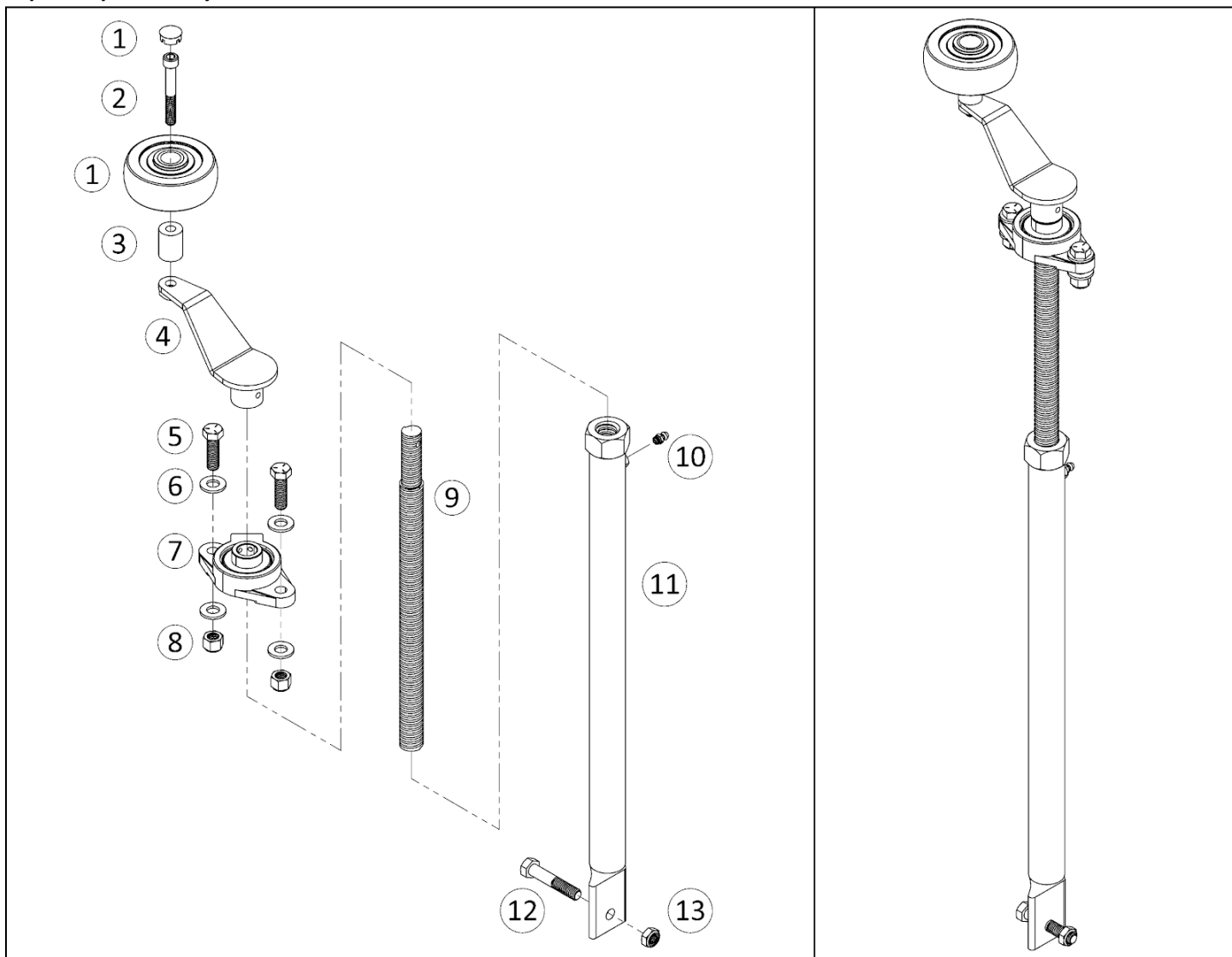


ITEM	P.N.	DESCRIPTION	QTY.
1	14165	½" Barb x ½" MPT Fitting	1
2	10336	0.125 x 7/8 x 1-3/8" Shim	2
3	14164	½" Male x ½" Female 90° Street	1

ITEM	P.N.	DESCRIPTION	QTY.
4	14318	½" Apollo Water Valve	1
5	14155	Garden Hose (Female) x ½" MPT	1
6	15314	Garden Hose Washer	1

ASSEMBLIES

Depth Stop Assembly

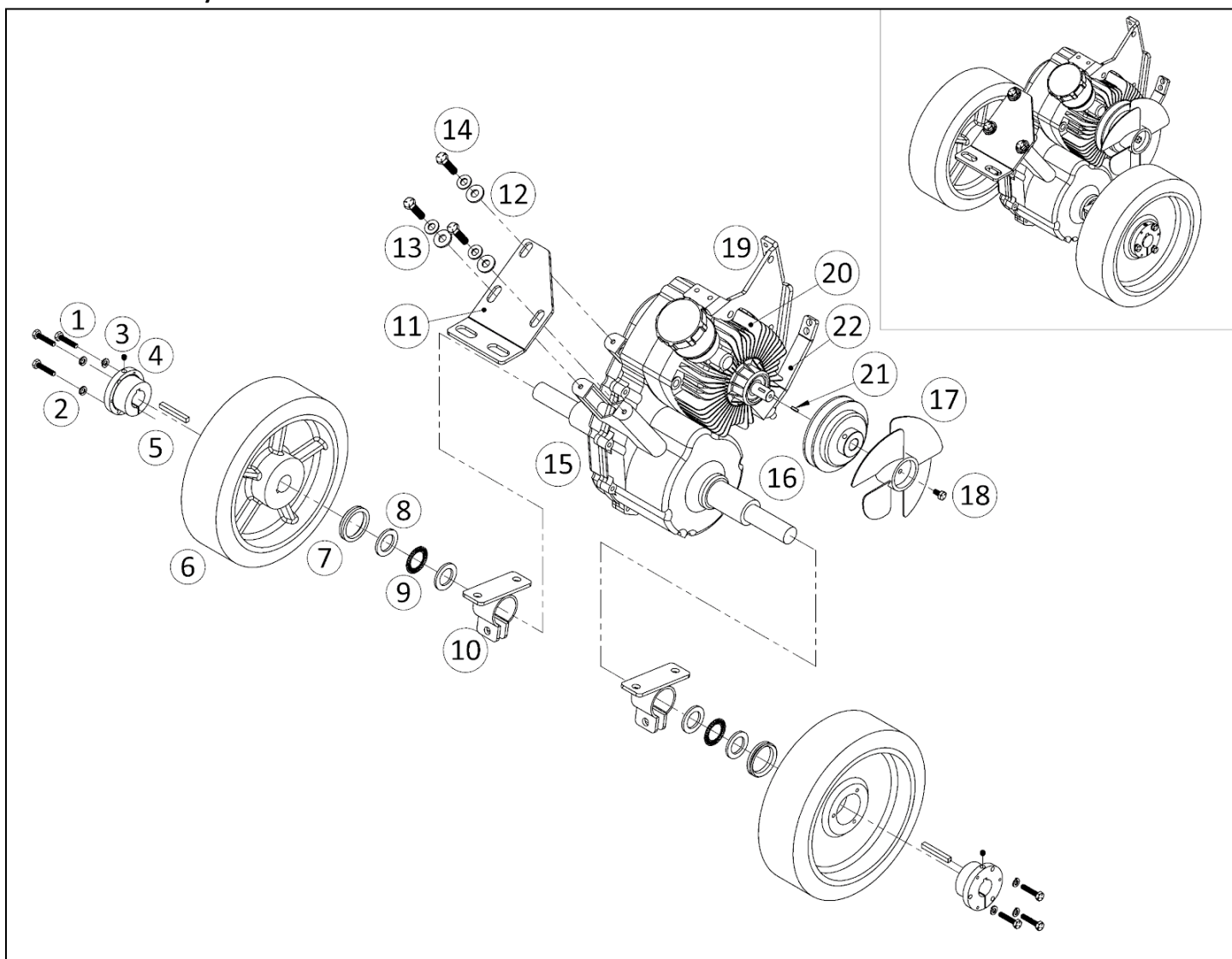


ITEM	P.N.	DESCRIPTION	QTY.
1	45139	3 x 1 x 5/16" R/L Wheel Knob	1
2	15278	5/16-18 x 2-1/4" SHCS	1
3	10213	3/4 x 1" Bushing	1
4	45120	Raise and Lower Handle	1
5	15780	3/8-16 x 1-1/4" HHCS	2
6	15319	3/8" F436 Flat Washer	4
7	10143	5/8" Flange Bearing	1

ITEM	P.N.	DESCRIPTION	QTY.
8	15208	3/8"-16 Nylon Insert Locknut	2
9	15290	Lead Screw	1
10	14664	1/4-28" Grease Zerk	1
11	22162	Depth Stop Housing (250 Series)	1
12	15916	3/8-16 x 2" HHCS, Partial	1
13	15938	3/8"-16 Nylon Insert Jam Locknut	1

ASSEMBLIES

Differential Assembly



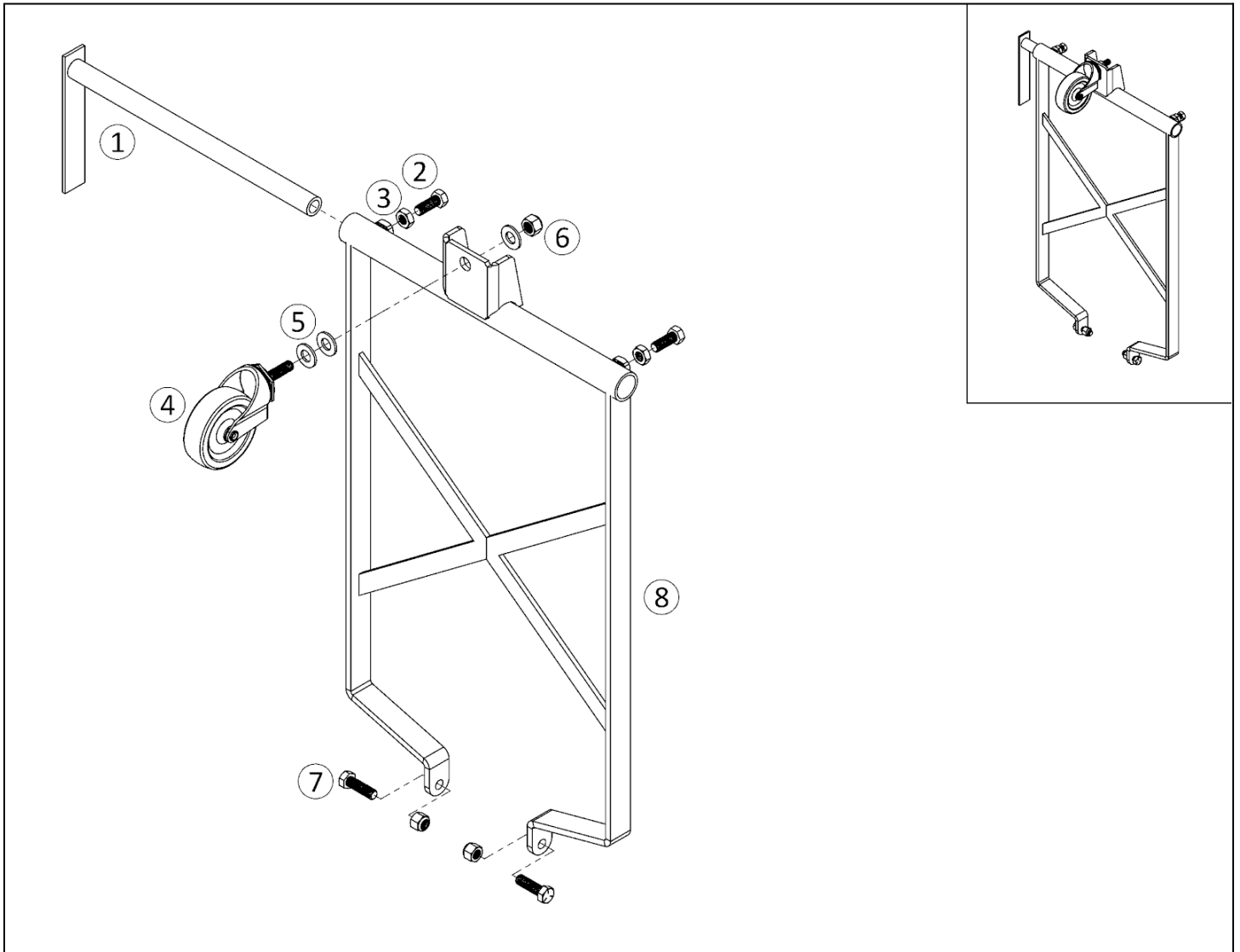
ITEM	P.N.	DESCRIPTION	QTY.
1	10191	¼"-20 x 1-1/4" HHCS	6
2		¼" Split Lock Washer	6
3		¼"-20 x ¼" Set Screw	2
4		SH x 1" QD Bushing	2
5	10279	¼" x 2" Square Key	2
6	45134	10" x 3" Black Tapered-Bore Wheel	2
7	12126	45mm ID V-Ring Seal	2
8	15343	1" x 0.126" Washer	2
9	10167	1" Thrust Needle-Roller Bearing	4
10	18390	Axle Mounting Bracket	2
11	18590	Differential Mounting (250 Series)	1
12	15325	3/8" USS Hardened Flat Washer	3

ITEM	P.N.	DESCRIPTION	QTY.
13	15319	3/8" Flat Washer	3
14	15379	3/8"-16 x 1-1/2" HHCS, Grade 5	2
15	21107	Differential (250-350 Series)	1
16	13191	17 x 105mm Pulley 1-Groove	1
	13193	17 x 105mm Pulley 2-Groove (25HP)	1
17	23146	6" Hydrostatic Fan	1
18	15104	¼"-20 x 0.5" HHCS, Grade 5	1
19	18297	Intermediate Bracket	1
20	23226	Hydrostatic Pump w/Gear	1
21	10285	1/8" x ½" Woodruff Key, Steel #3	1
22	16112	Forward/Reverse Lever	1

Note: The oil used for the differential (15) is **85 weight**. The oil used for the hydrostat (20) is **heavy duty 30 weight**.

ASSEMBLIES

Pointer Assembly

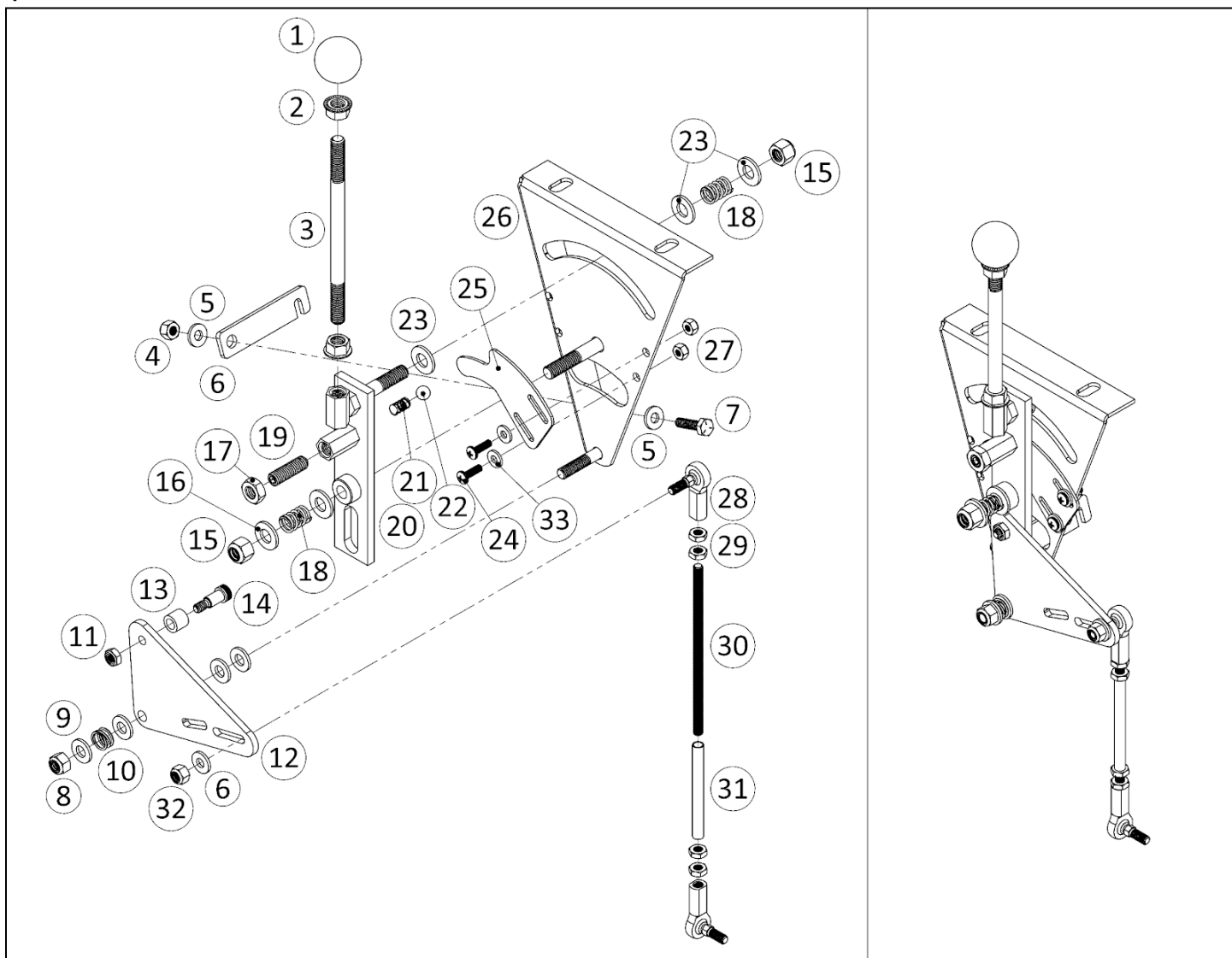


ITEM	P.N.	DESCRIPTION	QTY.
1	19138	Pointer Guide	1
2	15246	3/8-16 x 1" HHCS	2
3	15355	3/8"-16 Jam Locknut	2
4	45132	3" Caster Wheel	1
5	15321	7/16" F436 Flat Washer	3

ITEM	P.N.	DESCRIPTION	QTY.
6	15212	7/16"-14 Nylon Insert Locknut	1
7	15780	3/8-16 x 1-1/4" HHCS	2
8	15208	3/8"-16 Nylon Insert Locknut	2
9	18207	Pointer Frame, 100 Series	1

ASSEMBLIES

Speed Control



ITEM	P.N.	DESCRIPTION	QTY.
1	41102	1-1/4" Phenolic Ball Knob, 3/8"-16 Thread	1
2	15219	3/8"-16 Serrated Flange Nut	2
3	41122	3/8"-16 x 6" Threaded Rod	1
4	15207	1/4"-20 Nylon Insert Locknut	1
5	15318	1/4" F436 SAE Flat Washer	2
6	18461	Speed Control to RL Bracket (300/350 Series)	1
7	15244	1/4"-20 x 1" HHCS, Grade 5	1
8	15209	5/16"-18 Nylon Insert Locknut	1
9	15320	5/16" F436 SAE Flat Washer	4
10	41113	Spring	1
11	15202	1/4"-20 Nylon Insert Jam Locknut	1
12	18274	Cable Connection Plate	1
13	10107	5/16" x 1/2" x 7/16" Bushing	1
14	15283	5/16 x 1/2 x 1/4"-20 Shoulder Screw	1
15	15208	3/8"-16 Nylon Insert Locknut	2
16	15319	3/8" F436 Flat Washer Type 1	2

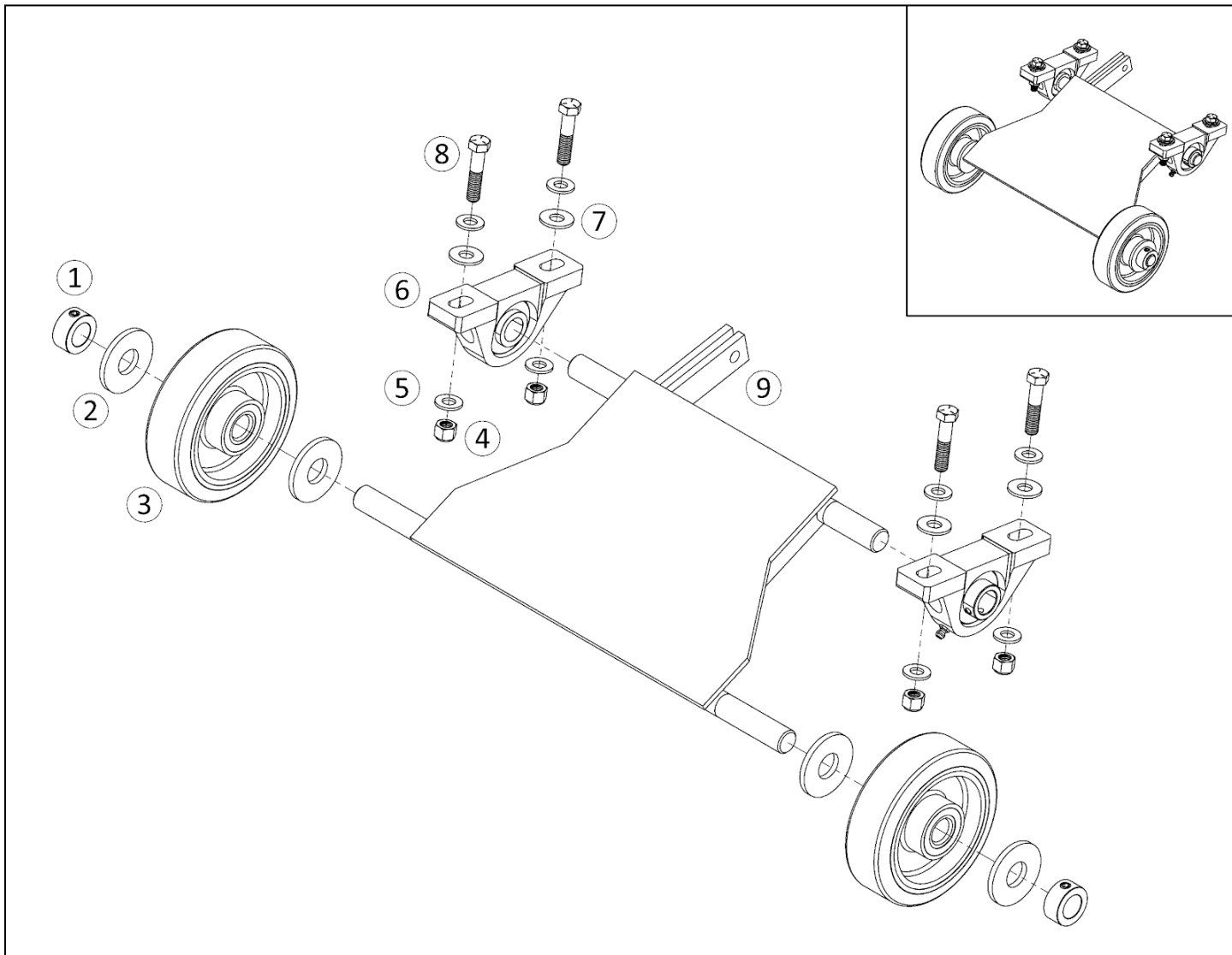
ITEM	P.N.	DESCRIPTION	QTY.
18	41106	Spring	2
19	15359	3/8"-16 x 1-1/4" Set Screw	1
20	16111	Speed Control Lever	1
21	41108	Compression Spring for Ball	1
22	41100	3/8" Ball	1
23	15344	3/8 x 7/8 x 1/8" Black Oxide Flat Washer	3
24	15494	10-32 x 5/8" Pan Head Screw	2
25	18273	Index Plate	1
26	18355	Speed Control Body	1
27	15214	10-32 Nylon Insert Locknut	2
28	41120	1/4"-28M x 1/4"-28 FE Heim Joint	2
29	15323	1/4"-28 Hex Jam Nut - Steel	4
30	41125	1/4-28 x 5-1/2" Fully Threaded Rod	1
31	41177	1/4" ID x 3" Length Metal Tube	1
32	15203	1/4"-28 Nylon Insert Jam Locknut	1
33	15322	#10 SAE Flat Washer	2

ASSEMBLIES

17	15355	3/8"-16 x 1/4" Jam Nut	1
----	-------	------------------------	---

--	--	--	--

Front Axle Assembly

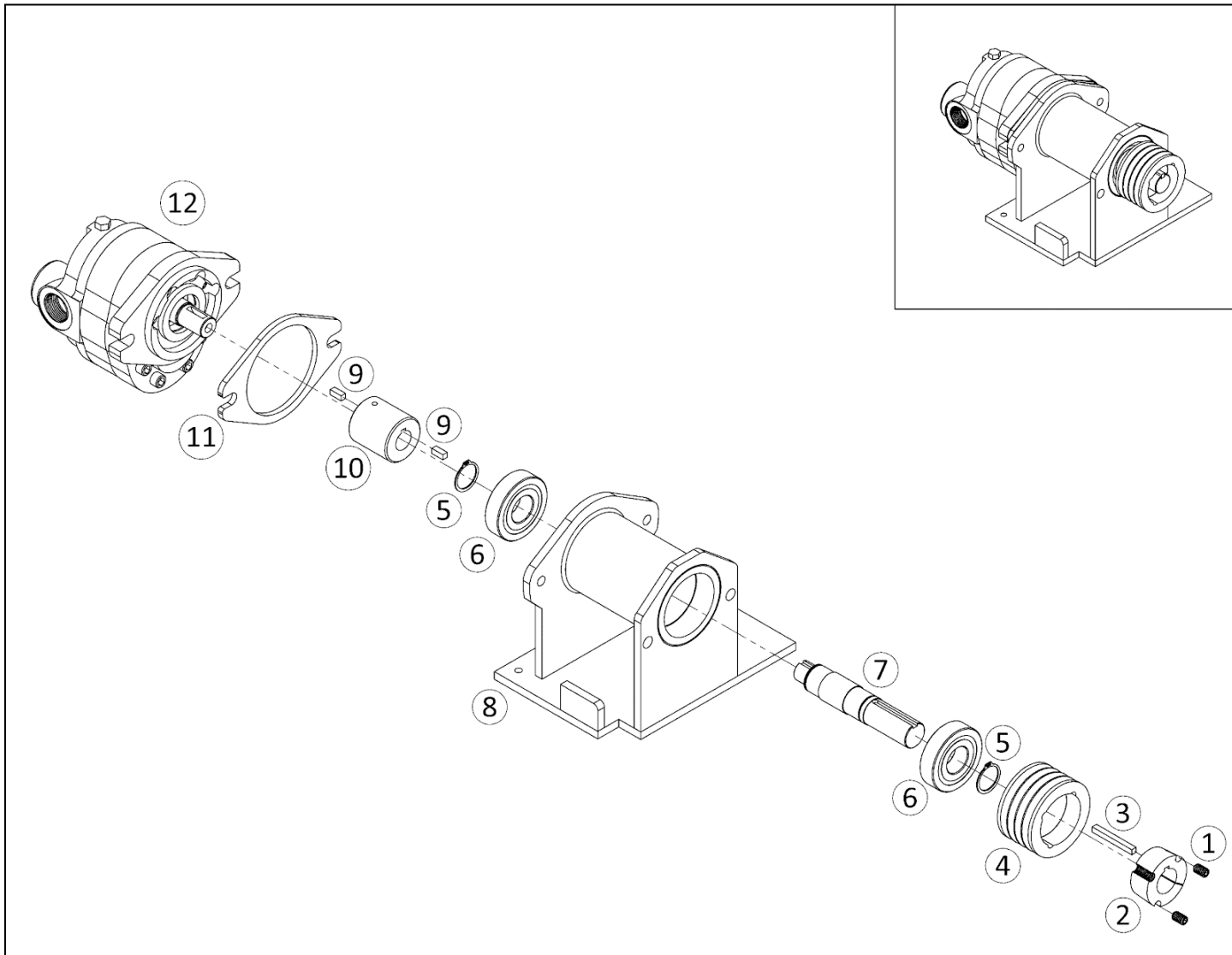


ITEM	P.N.	DESCRIPTION	QTY.
1	15178	3/4" Shaft Collar, Zinc	2
2	15327	3/4" USS (Type A Wide) Flat Washer	4
3	45138	5 x 1-1/2 x 3/4" Front Wheel	2
4	15208	3/8"-16 Nylon Insert Locknut	4
5	15319	3/8" F436 (Type 1) Flat Washer	8

ITEM	P.N.	DESCRIPTION	QTY.
6	10163	3/4" Pillow Block Bearing	2
7	15325	3/8" USS (Type A Wide) Flat Washer	4
8	15975	3/8-16 x 1-3/4" HHCS	4
9	18900	Front Axle	1

ASSEMBLIES

Hydraulic Motor Mount Assembly

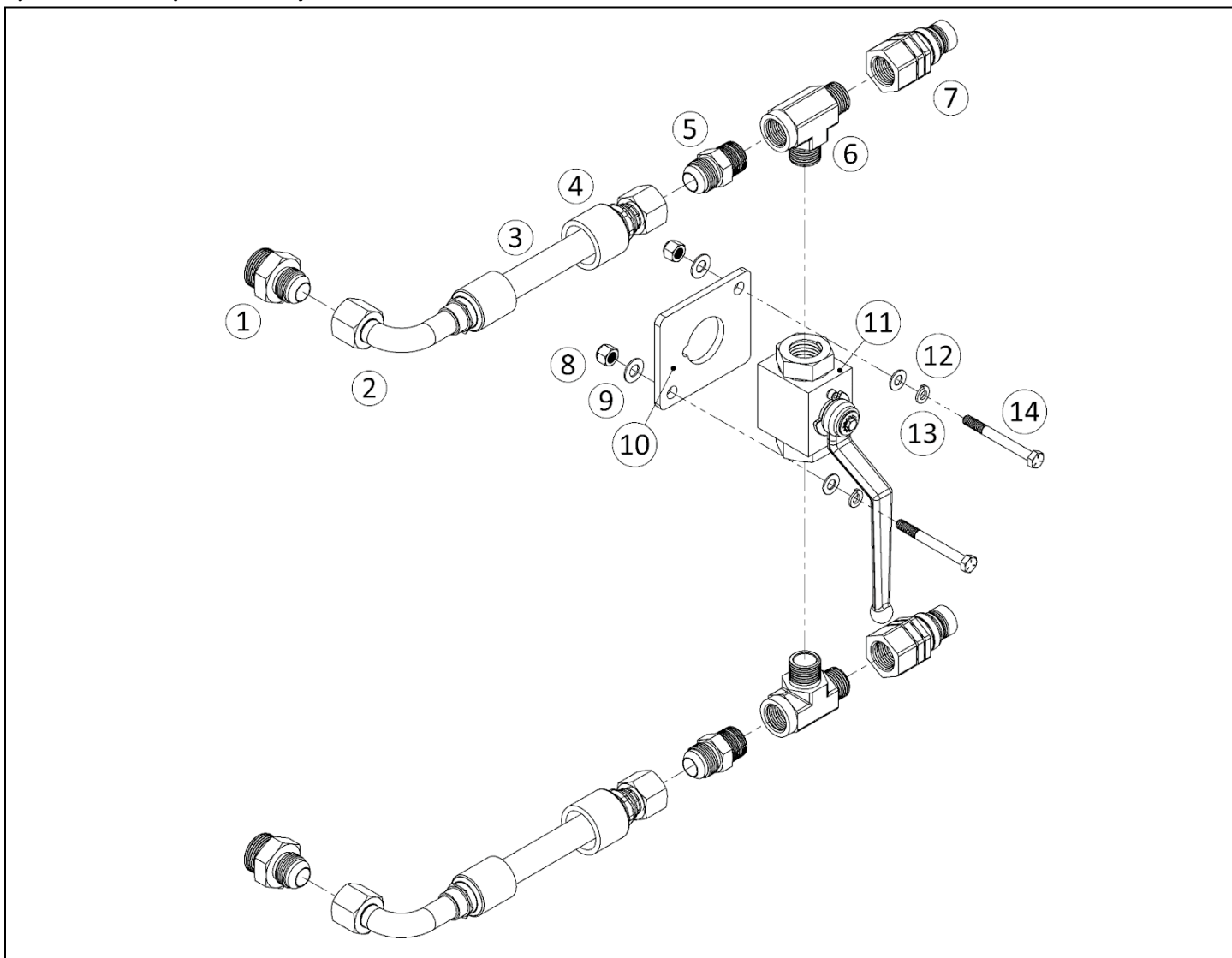


ITEM	P.N.	DESCRIPTION	QTY.
1	10210	1610 x 1-1/8" Taper Lock Bushing	1
2		3/8-16 x 5/8" Set Screw	2
3	10420	1/4 x 2-1/4" Square Key	1
4	13202	4/3V3.35-1610 Pulley	1
5	12125	1-3/16" External Snap Ring	2
6	10162	6306-2RS Bearing	2

ITEM	P.N.	DESCRIPTION	QTY.
7	10330	6 x 5/8" Shaft (Standard Frame)	1
	10413	7 x 3/4" Shaft (Wide Frame)	1
8	11118	Hydraulic Motor Housing	1
9	10422	1/4 x 5/8" Square Key	2
10	10256	Coupling	1
11	18745	Motor Spacer	1
12	23198	Hydraulic Cross Motor	1

ASSEMBLIES

Hydraulic Fluid Input Assembly

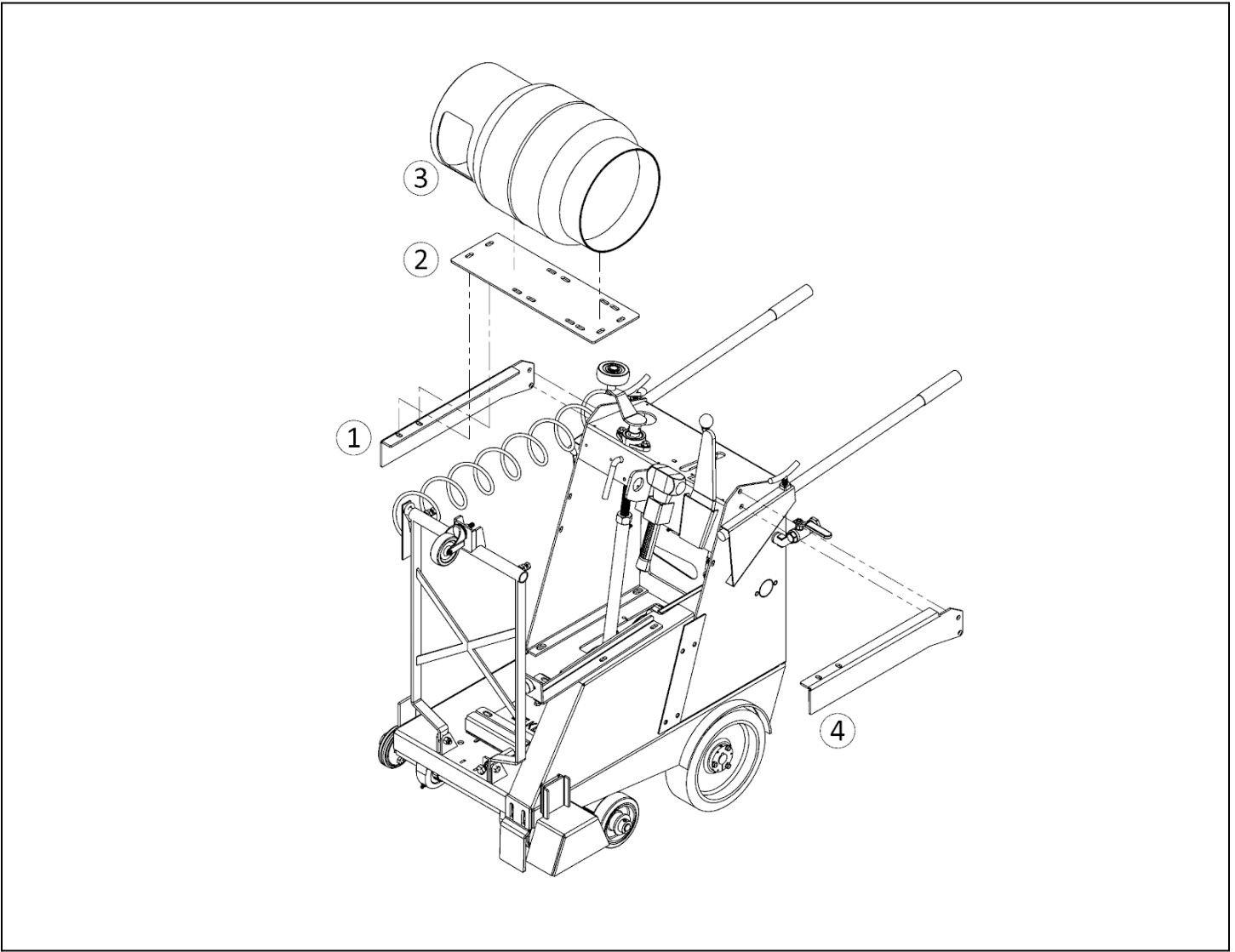


ITEM	P.N.	DESCRIPTION	QTY.
1	14193	3/4" Male JIC x 1" Male SAE	2
2	14390	90° Crimp, 3/4" x 3/4" Female JIC	2
3	14269	3/4" 3000 PSI Hydraulic Hose (3')	2
4	14397	Crimp, 3/4" x 3/4" Female JIC	2
5	14335	3/4" Male JIC x 3/4" Male NPTF	2
6	14326	3/4"-14 (Male, Male, Female) Pipe	2
7	14180	1/2" Body x 3/4" FPT Flat Face QD Plug	2
8	15208	3/8"-16 Nylon Insert Locknut	2

ITEM	P.N.	DESCRIPTION	QTY.
9	15319	3/8" F436 Flat Washer Type 1	4
10	18378	Clamping Bracket	1
11	14206	3/4" Hydraulic Ball Valve	1
12	15320	5/16" F436 Flat Washer Type 1	2
13	15367	5/16" Split Lock Washer	2
14	15101	5/16-18 x 3" Hex Head Cap Screw	2

ASSEMBLIES

Propane Setup

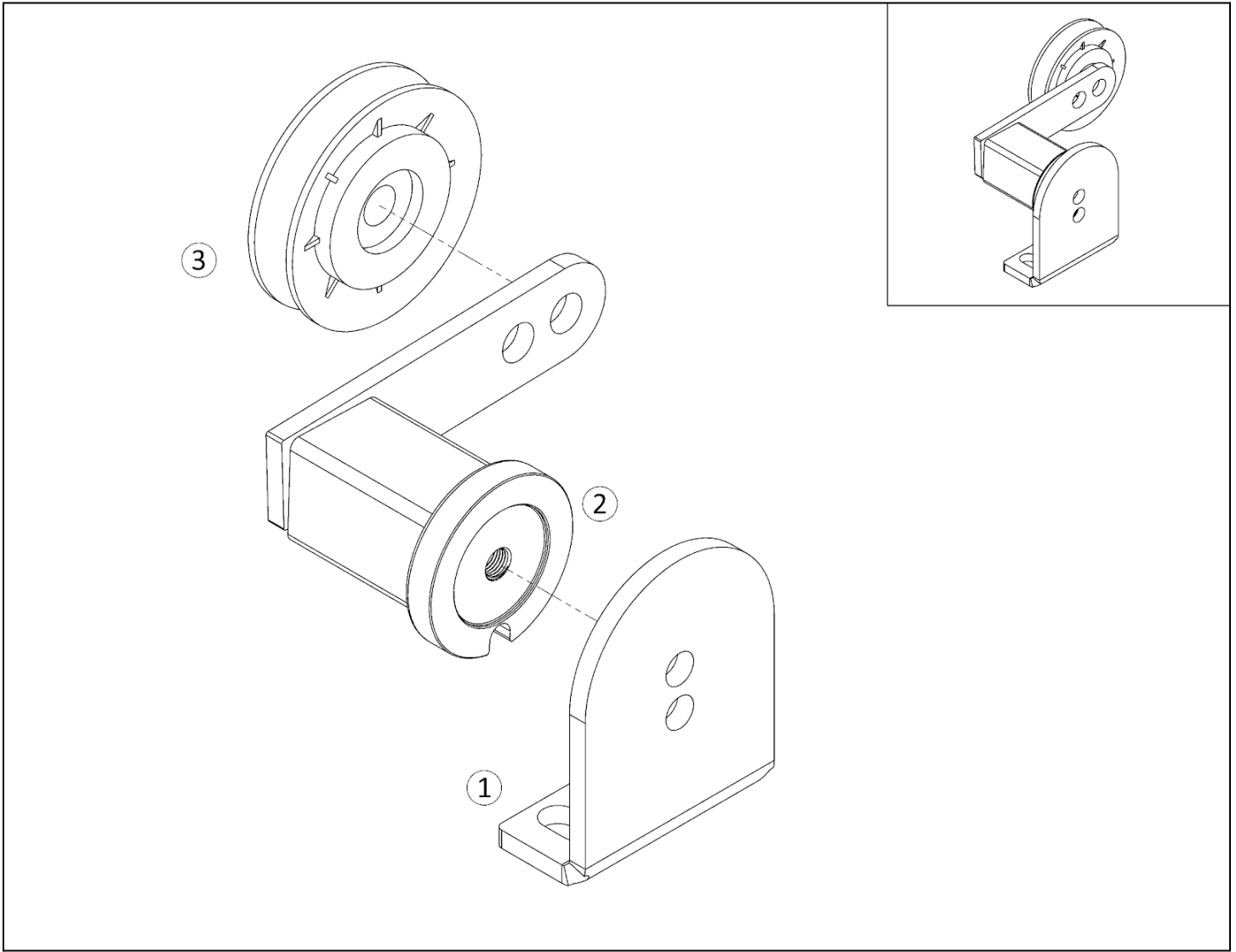


ITEM	P.N.	DESCRIPTION	QTY.
1	18648	Support Bracket, Right	1
2	18645	Tank Mounting Bracket	1

ITEM	P.N.	DESCRIPTION	QTY.
3	42645	5-gal Propane Tank w/Fill Valve	1
4	18647	Support Bracket, Left	1

ASSEMBLIES

Tensioning System



ITEM	P.N.	DESCRIPTION	QTY.
1	18599	Belt Tensioner Bracket	1
2	41119	Belt Tensioner, Lovejoy	1
3	13978	3" x ½" Pulley	1
4			

ITEM	P.N.	DESCRIPTION	QTY.
5			
6			
7			
8			
9			

ASSEMBLIES

Miscellaneous

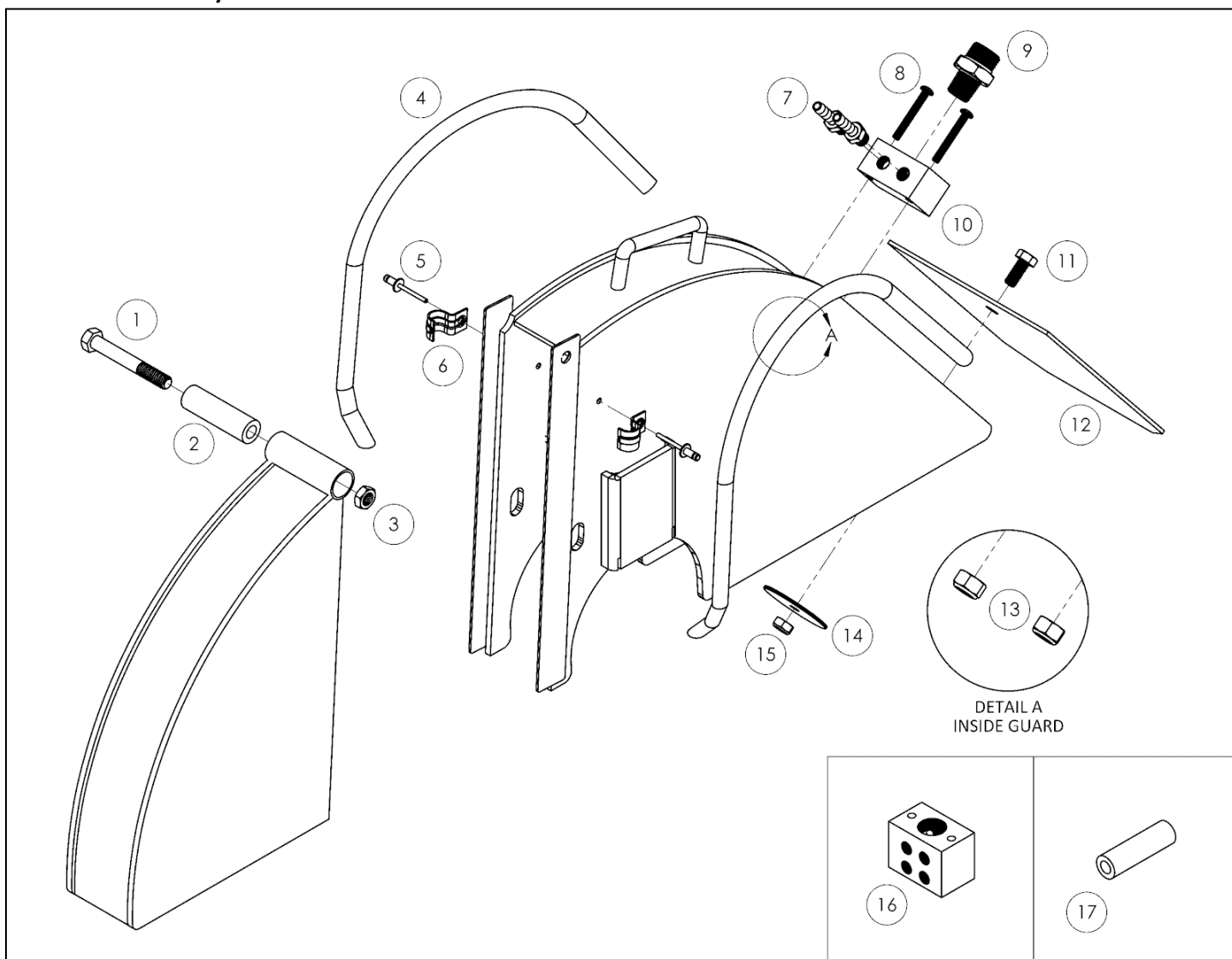
ITEM	P.N.	DESCRIPTION	QTY.
1	22106	Utility Battery	1
2	22123	24" Power Cable (Red)	1
3	22124	24" Power Cable (Black)	1
4	45131	Counter Weight (28 lbs.)	1-3
5	18382	Motor Mount Holddown (8" C-C)	2
6	18391	Motor Mount Holddown (7" C-C)	2
7	23217	5HP Single-Phase Motor	1
8	23182	5HP 3-Phase Motor	1
9	23218	7.5HP Single-Phase Motor	1
10	23178	7.5HP 3-Phase Motor	1

ITEM	P.N.	DESCRIPTION	QTY.
11	23216	10HP Single-Phase Motor	1
12	23199	10HP 3-Phase Motor	1
13	23119	14HP Kohler Gas Engine	1
14	23123	25HP Kohler Gas Engine	1
15	23116	25HP Kohler Propane Engine	1
16	23198	30HP Hydraulic Motor	1
17	17139	Vented Fuel Cap	1
18	14139	1" x 3-1/4" Stroke Lift Cylinder	1
19	73100	Aluminum Decal	1

Note: Do not stack more than 3 counter weights (P.N. 45131).

ASSEMBLIES

Blade Guard Assembly



ITEM	P.N.	DESCRIPTION	QTY.
1	15113	3/8"-16 x 2-3/4" Bolt	1
2	10206	3-5/16" Nylon Bushing	1
3	15355	3/8"-16 Jam Nut	1
4	14257	48" Clear Hose	2
5	15351	3/16" Buttonhead Rivet	2
6	14114	Jiffy Clamp	2
7	14209	1/4" Barb x 1/8" MPT Fitting	2
8	15258	10-32 x 1-1/2" Phillip Screw	2
9	14178	NU22-8-12 Fitting	1

ITEM	P.N.	DESCRIPTION	QTY.
10	14279	3-Port Water Manifold	1
11	15257	5/16" x 3/4" Cap Screw	1
12	45172	6" x 8" Rubber Flap	1
13	15214	10-32 Kept Locknut	2
14	15347	1/4" x 2" Washer	1
15	15206	5/16" Nylon Locknut	1
16	14283	5-Port Water Manifold	1
17	10205	3-5/16" Nylon Bushing	1
18			