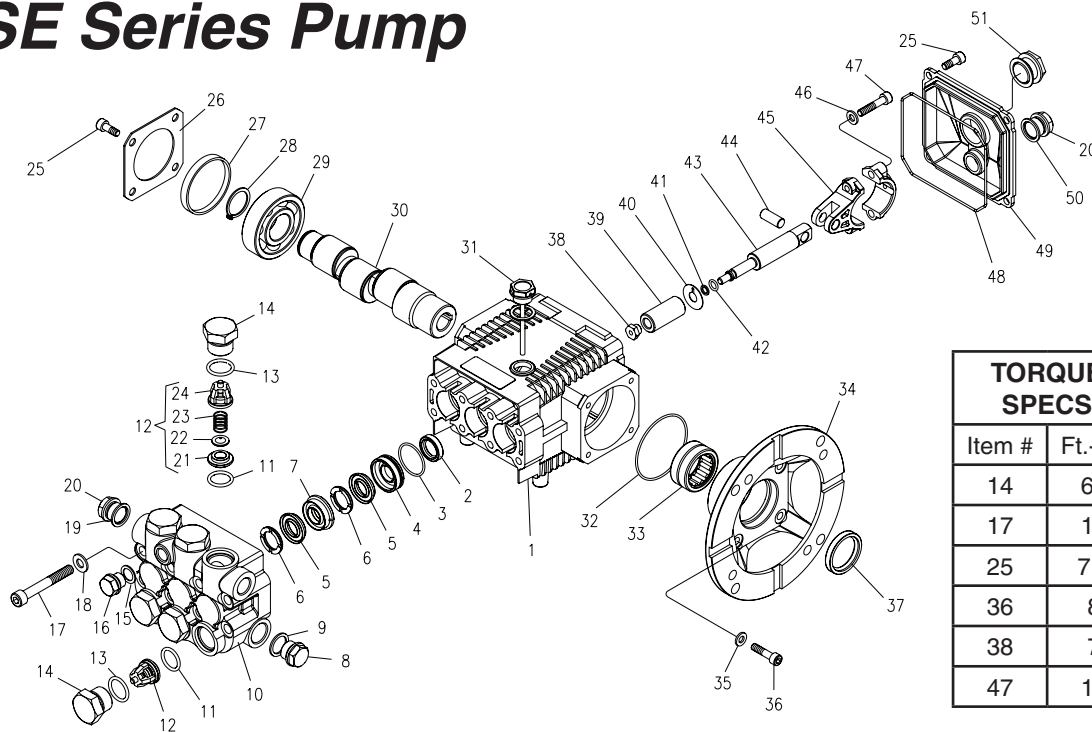




SE Series Pump

5-1400 SE 2020F
 5-1413 SE 2020S
 5-1403 SE 2825F
 5-1404 SE 2825S
 5-1405 SE 3525F



TORQUE SPECS	
Item #	Ft.-lbs
14	65
17	18
25	7.6
36	8
38	7
47	13

PARTS LIST

ITEM	PART NO.	DESCRIPTION	QTY	ITEM	PART NO.	DESCRIPTION	QTY	ITEM	PART NO.	DESCRIPTION	QTY
1	70-020292	Crankcase	1	16	70-160121	Brass Plug G1/4	1	35	70-140002	Washer	4
2*	70-000105	Plunger Oil Seal	3	17	70-180118	Manifold Stud Bolt	8	36	70-180126	Flange Screw	4
3*	70-060181	O-Ring Ø 1.78 x 28.30	3	18	70-140001	Washer	8	37	70-000104	Crankshaft Seal	1
4*	70-120131	Pressure Ring 15mm	3	19	70-060306	Copper Washer 3/8	1	38*	70-030211	Plunger Nut	3
	70-120132	Pressure Ring 18mm	3	20	70-160117	Brass Plug G3/8	2	39*	70-120023	Plunger 15mm (2020F, 2825F, 3525F)	3
5*	70-000207	"V" Seal, dia 15mm	6	25	70-180112	Screw	12		70-120022	Plunger 18mm (2020S, 2825S)	3
	70-000208	"V" Seal, dia 18mm	6	26	70-020318	Bearing Cover	2	40*	70-140027	Copper Spacer	3
6*	70-030048	Support Ring 15mm	6	27	70-020502	Bearing Seal	1	41*	70-060130	O-Ring Ø1.78 x 5.28	3
	70-030050	Support Ring 18mm	6	28	70-150003	Snap Ring	1	42*	70-000913	Teflon Ring	3
7*	70-030049	Intermed Ring 15mm	3	29	70-021300	Ball Bearing	2	43	70-000320	Plunger Rod	3
	70-030051	intermed Ring 18mm	3	30	70-000600	Crankshaft (2020F)	1	44	70-1502.04	Connecting Rod Pin	3
8*	70-160120	Brass Plug G1/2	1		70-000601	Crankshaft (2020S)	1	45	70-010008	Connecting Rod	3
9	70-060307	Copper Washer 1/2"	1		70-000602	Crankshaft (2825F)	1	46	70-140102	Spring Washer	6
10	70-160228	Manifold Housing	1		70-000603	Crankshaft (2825S)	1	47	70-180132	Connecting Rod Screw	6
11	70-060155	O-Ring Ø1.78 x 15.54	6		70-000604	Crankshaft (3525F)	1	48	70-060104	O-Ring Ø2.62 x 107.621	1
12*	See Kit Below	Valve Assembly	6	31	70-160012	Oil Dipstick	1	49	70-020352	Crankcase Cover	1
13*	70-060122	O-Ring Ø2.62 x 18.77	6	32	70-060183	O-Ring Ø3.53 x 55.56	1	50	70-060302	Gasket	1
14	70-160147	Valve Plug	6	33	70-020011	Needle Bearing	1	51	70-070005	Sight Glass	1
15	70-060308	Copper Washer 1/4	1	34	70-050095	Motor Flange 56C	1				

REPAIR KITS

REPAIR KIT NUMBER	70-261408	70-261410	70-261409	70-261411	70-261404	70-261405	70-260028	70-260826
KIT DESCRIPTION	Plunger Seal 15mm 2020F 2825F 3525F	Plunger Seal 18mm 2020S 2825S	Complete Seal Packing 15mm 2020F 2825F 3525F	Complete Seal Packing 18 mm 2020S 2825S	Plunger 15mm 2020F 2825F 3525F	Plunger 18mm 2020S 2825S	Complete Valve	Plunger Oil Seals
ITEM NUMBERS INCLUDED	3, 5, 6	3, 5, 6	2, 3, 4, 5, 6, 7	3, 4, 5, 6, 7, 8	38, 39, 40, 41, 42	38, 39, 40, 41, 42	11, 12, 13	2
NO. OF CYLINDERS KIT WILL SERVICE	3	3	1	1	1	1	6	3