



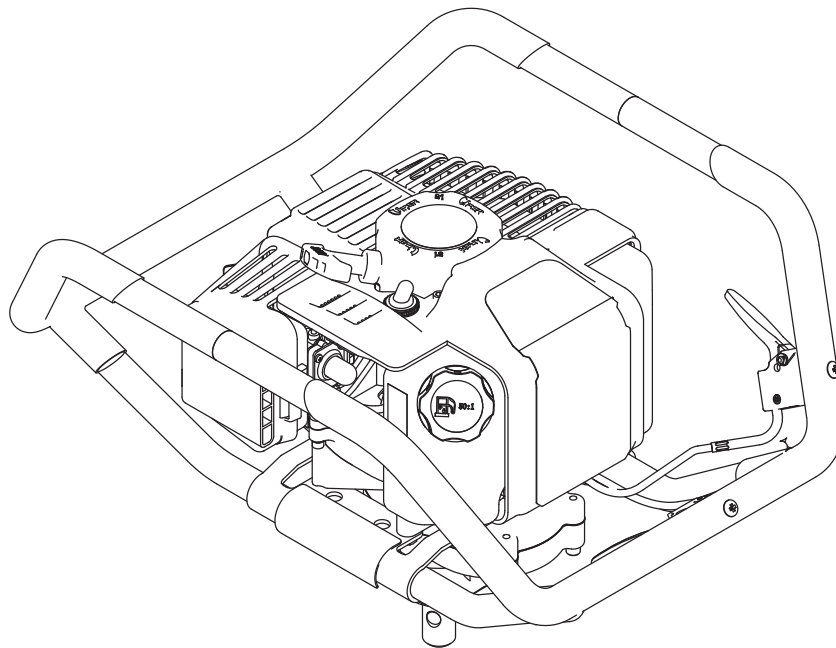
Illustrated Parts Breakdown  
Illustration des pièces détachées

**Dually™**  
2-Cycle Earth Auger Powerhead

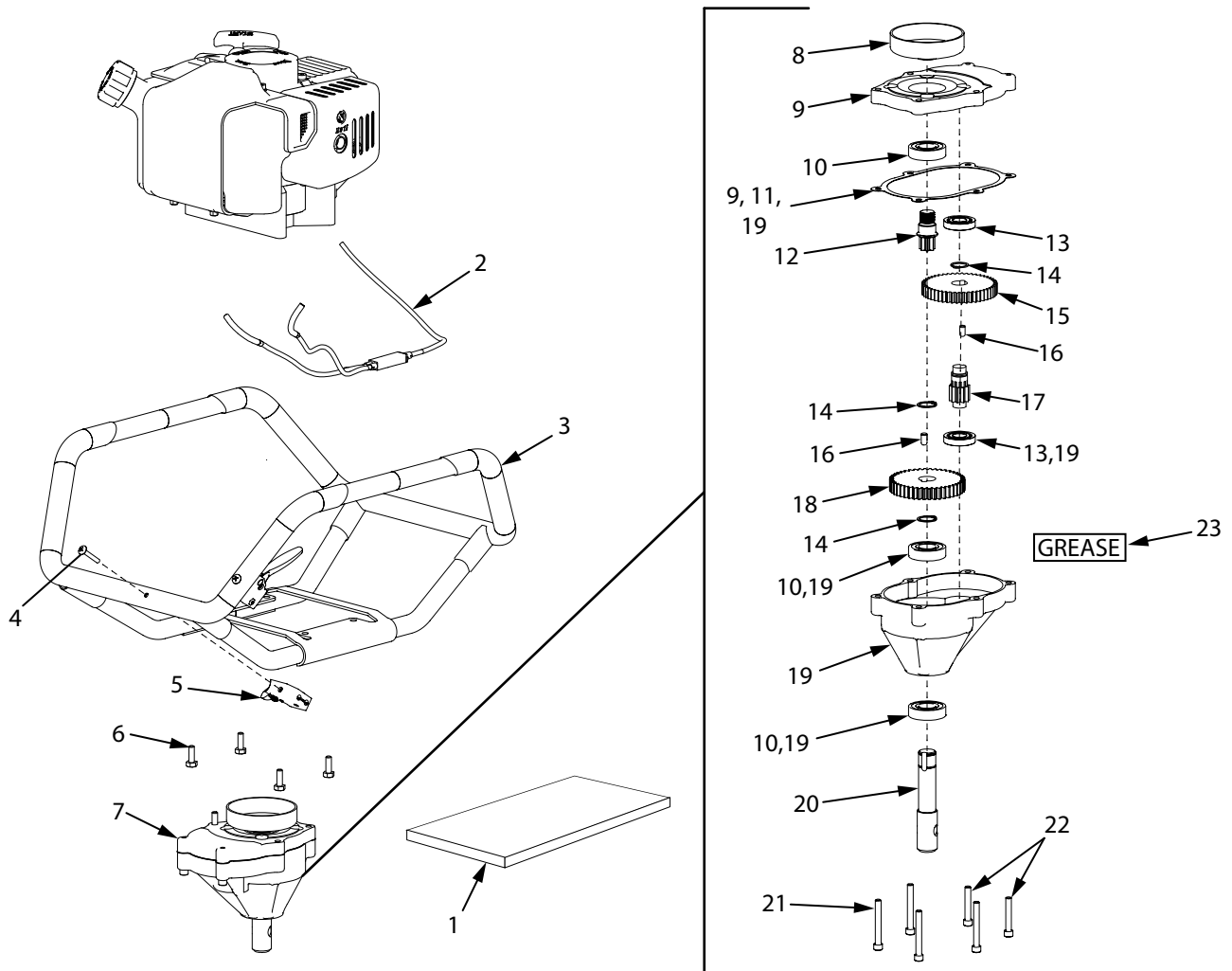
Model Numbers, Numéros de modèle :  
**10310**

ENGLISH  
FRANÇAIS

S/N



**ILLUSTRATED PARTS BREAKDOWN / ILLUSTRATION DES PIÈCES DÉTACHÉES - Powerhead & Transmission**



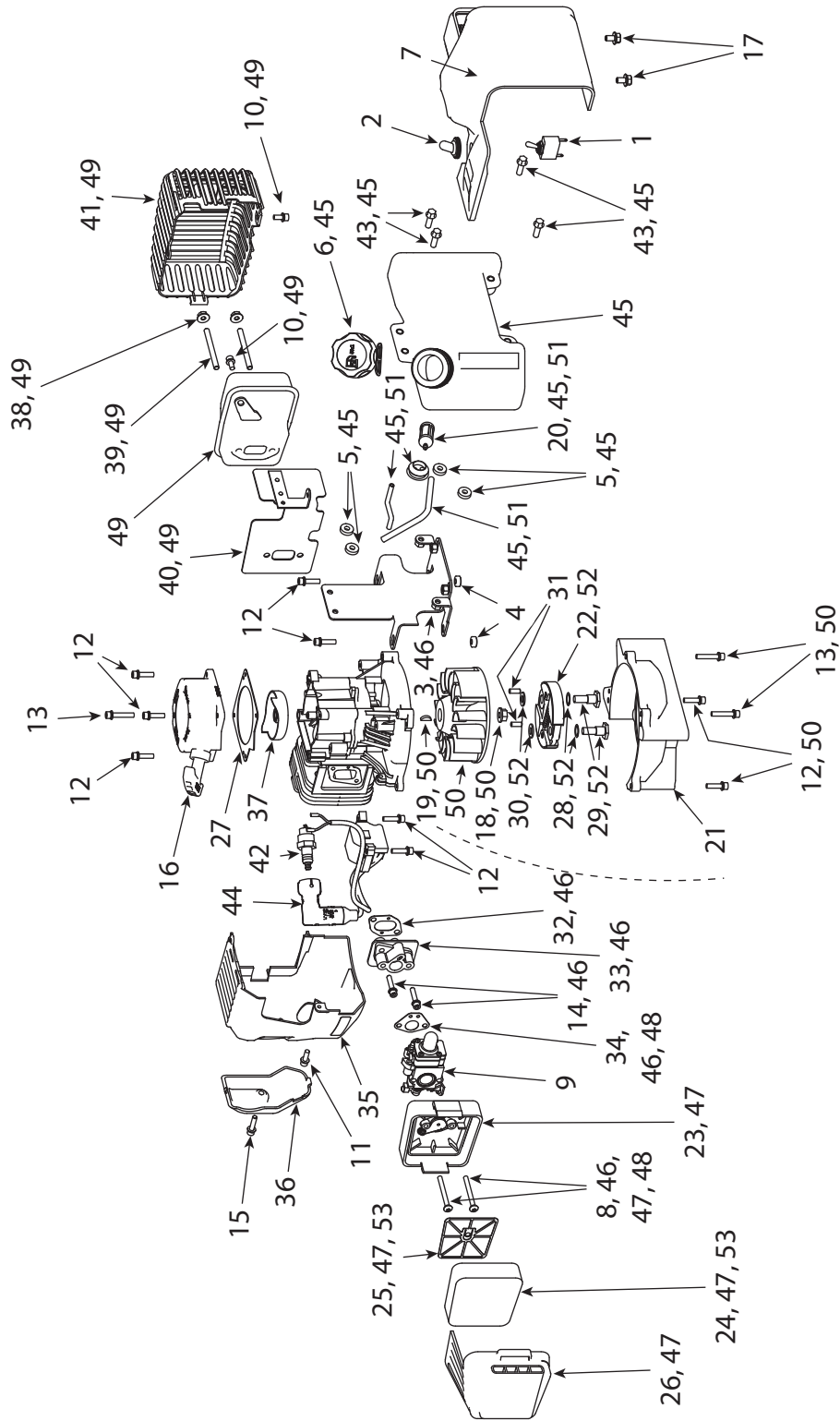
**ILLUSTRATED PARTS BREAKDOWN / ILLUSTRATION DES PIÈCES DÉTACHÉES - Powerhead & Transmission**

REF. / REP.	PART NO. / N° RÉF.	DESCRIPTION	QTY. / QTÉ
1	35232	MANUAL PARTS BAG	1
2	10473	CABLE ASSEMBLY TWO INTO ONE	1
3	4844	HANDLEBAR FOAMED DUAL STYLE	1
4	4814	BOLT 10-24 X 1-1/4 PTHMS ZN F-T	2
5	4819	ASSEMBLY TRIGGER LONG THROW W/ OUT CABLE	2
6	90148	BOLT 1/4-20 X 3/4 HH GR5 BLK ZN W/ PATCH	4
7	3004119	TRANSMISSION ASSEMBLY	1
8	3004100	CLUTCH DRUM	1
9	75300	KIT TOP CASTING	1
10	8922	BALL BEARING R12 DOUBLE LIP	3
11	8919	GASKET	1
12	9814	GEAR 7T PINION 5/8" THREADED	1
13	8923	BALL BEARING R10	2
14	8924	SNAP RING	3
15	8914	GEAR 48T HARDENED	1
16	8915	DOWEL PIN STEEL 1/4" X 1/2"	2
17	9214A	GEAR 10T CLUSTER PINION HT	1
18	8912	GEAR 44T 3/4" HOLE	1
19	75600	KIT LOWER CASTING	1
20	8913	OUTPUT SHAFT 7/8"	1
21	8931F	BOLT 1/4-20 X 2 SHCS F-T	4
22	8929	BOLT 1/4-20 X 1-1/2 SHCS	2
23	11468	GREASE EP2 MOLY	1



Part No. 16868  
Dually Shroud Decal

**ILLUSTRATED PARTS BREAKDOWN / ILLUSTRATION DES PIÈCES DÉTACHÉES - Engine Parts**

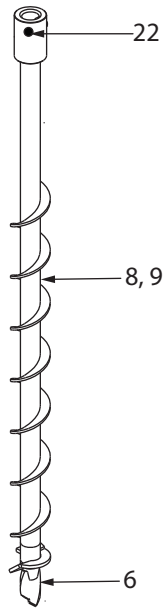


**ILLUSTRATED PARTS BREAKDOWN / ILLUSTRATION DES PIÈCES DÉTACHÉES - Engine Parts**

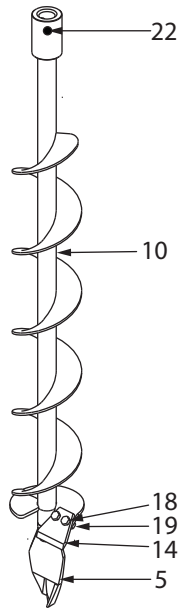
REF. / REP.	PART NO. / N° RÉF.	DESCRIPTION	QTY. / QTÉ
1	300524	TOGGLE SWITCH	1
2	10929	COVER TOGGLE SWITCH	1
3	10682	GAS TANK MOUNT	1
4	11189	SPACER M5X5 MM STEEL	2
5	11190	SPACER M5X4 MM NYLON	4
6	11936	GAS CAP	1
7	11153	GAS TANK SHROUD	1
8	15209	BOLT M5X52 MM W/WASHER PHILLIPS	2
9	20718	CARBURETOR	1
10	17888	BOLT M5X12 MM W/WASHER SOCKET	2
11	17945	BOLT M5X16 MM W/WASHER SOCKET	1
12	17946	BOLT M5X20 MM W/WASHER SOCKET	9
13	17952	BOLT M5X28 MM W/WASHER SOCKET	3
14	28572	BOLT M5X25 MM W/WASHER SOCKET	2
15	30306	BOLT M5X22 MM W/WASHER SOCKET	1
16	30013	RECOIL ASSEMBLY	1
17	300336	BOLT M6X10 MM FLANGE	2
18	300337	NUT M8 FLANGE	1
19	300338	KEY FLYWHEEL	1
20	3004103	FUEL FILTER	1
21	3004110	MOUNT RING AND SHROUD	1
22	300413	CLUTCH ASSEMBLY WITH HARDWARE	1
23	3004150	AIR FILTER BASE	1
24	3004156	FOAM AIR FILTER	1
25	3004157	REINFORCEMENT PLATE	1
26	3004161	AIR FILTER COVER	1

REF. / REP.	PART NO. / N° RÉF.	DESCRIPTION	QTY. / QTÉ
27	300429	RECOIL PLATE	1
28	300449	WASHER M10 SPRING	2
29	300450	BOLT M8 SHOULDER	2
30	300462	WASHER M8	2
31	300467	DOWEL PIN 5MM	2
32	300476	INTAKE GASKET	1
33	300478	WINDPIPE INTAKE	1
34	300479	CARBURETOR GASKET	1
35	300482	ENGINE SHROUD RED	1
36	300483	COVER ENGINE SHROUD BLACK	1
37	300491	RECOIL CLUTCH	1
38	300492	NUT M6 FLANGE	2
39	300493	STUD M6X62 MM	2
40	31760	MUFFLER HEAT SHIELD	1
41	31762	MUFFLER GUARD	1
42	35906	SPARK PLUG TORCH L7RTC	1
43	4647	BOLT M6X18 MM FLANGE	4
44	11172	IGNITION COIL	1
45	10683	KIT GAS TANK WITH FUEL LINES, GROMMET, FUEL FILTER, AND GAS CAP	1
46	11205	KIT INTAKE MANIFOLD	1
47	11350	KIT AIR FILTER ASSEMBLY	1
48	3004114	KIT CARBURETOR REPAIR	1
49	33350	KIT MUFFLER REPLACEMENT	1
50	11209	KIT FLYWHEEL	1
51	3004105	KIT FUEL LINES AND GROMMET	1
52	11235	KIT CLUTCH REPLACEMENT	1
53	11349	KIT AIR FILTER BLOCK REPLACEMENT	1

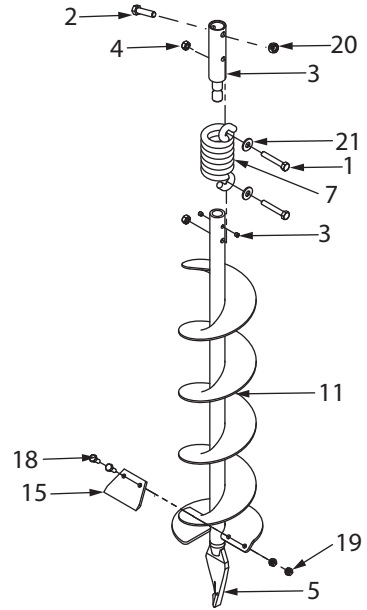
**ILLUSTRATED PARTS BREAKDOWN / ILLUSTRATION DES PIÈCES DÉTACHÉES - Auger Accessories**



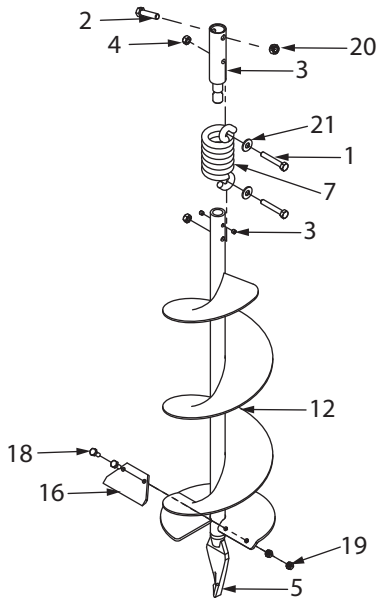
**Optional Accessory,  
 Accessoires en option :  
 EA2F, EA3F**



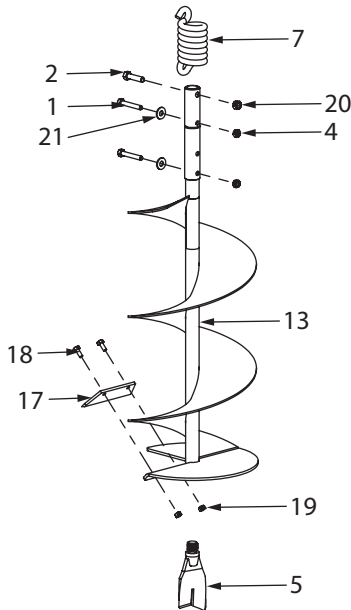
**Optional Accessory,  
 Accessoires en option :  
 EA4F**



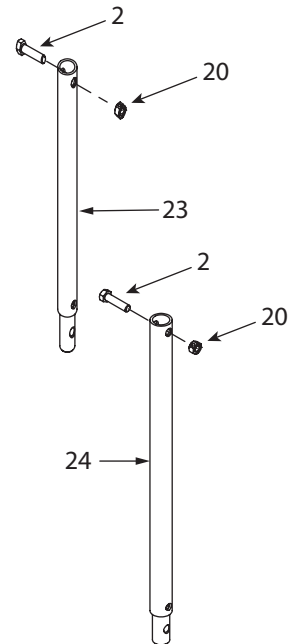
**Optional Accessory,  
 Accessoires en option :  
 EA6F**



**Optional Accessory,  
 Accessoires en option :  
 EA8F**



**Optional Accessory,  
 Accessoires en option :  
 EA10F**



**Optional Accessory,  
 Accessoires en option :  
 EXT12, EXT18**

**ILLUSTRATED PARTS BREAKDOWN / ILLUSTRATION DES PIÈCES DÉTACHÉES - Auger Accessories**

REF. / REP.	PART NO. / N° RÉF.	DESCRIPTION	QTY. / QTÉ
1	1423	BOLT 5/16-18 X 2 IN	2
2	1433	BOLT 3/8-16 X 1-1/2 IN	1
3	22142	SHOCK TOP WITH SCREWS	1
4	60G56	NUT 5/16-18	2
5	8958HD	FISHTAIL POINT	1
6	8970	EARTH POINT	1
7	8980	SHOCK SPRING	1
8	EA2F	EARTH AUGER 2 IN WITH POINT	1
9	EA3F	EARTH AUGER 3 IN WITH POINT	1
10	EA4F	EARTH AUGER 4 IN WITH POINT	1
11	EA6F	EARTH AUGER 6 IN WITH POINT	1
12	EA8F	EARTH AUGER 8 IN WITH POINT	1
13	EA10F	EARTH AUGER 10 IN WITH POINT	1
14	EB4	EARTH BLADE 4 IN	1
15	EB6	EARTH BLADE 6 IN	1
15	EB6HD	EARTH BLADE (HEAVY DUTY) 6 IN	1
16	EB8	EARTH BLADE 8 IN	1
16	EB8HD	EARTH BLADE (HEAVY DUTY) 8 IN	1
17	EB10	EARTH BLADE 10 IN	1
17	EB10HD	EARTH BLADE (HEAVY DUTY) 10 IN	1
18	EBOLT	BOLT 1/4-28 X 5/8 IN	2
19	ENUT	NUT 1/4-28	2
20	2104	NUT 3/8-16	1
21	WF516	WASHER 5/16 IN	2
22	8955	BOLT 3/8-16 X 1-1/4 IN	1
23	EXT12	EXTENSION 12 IN	1
24	EXT18	EXTENSION 18 IN	1