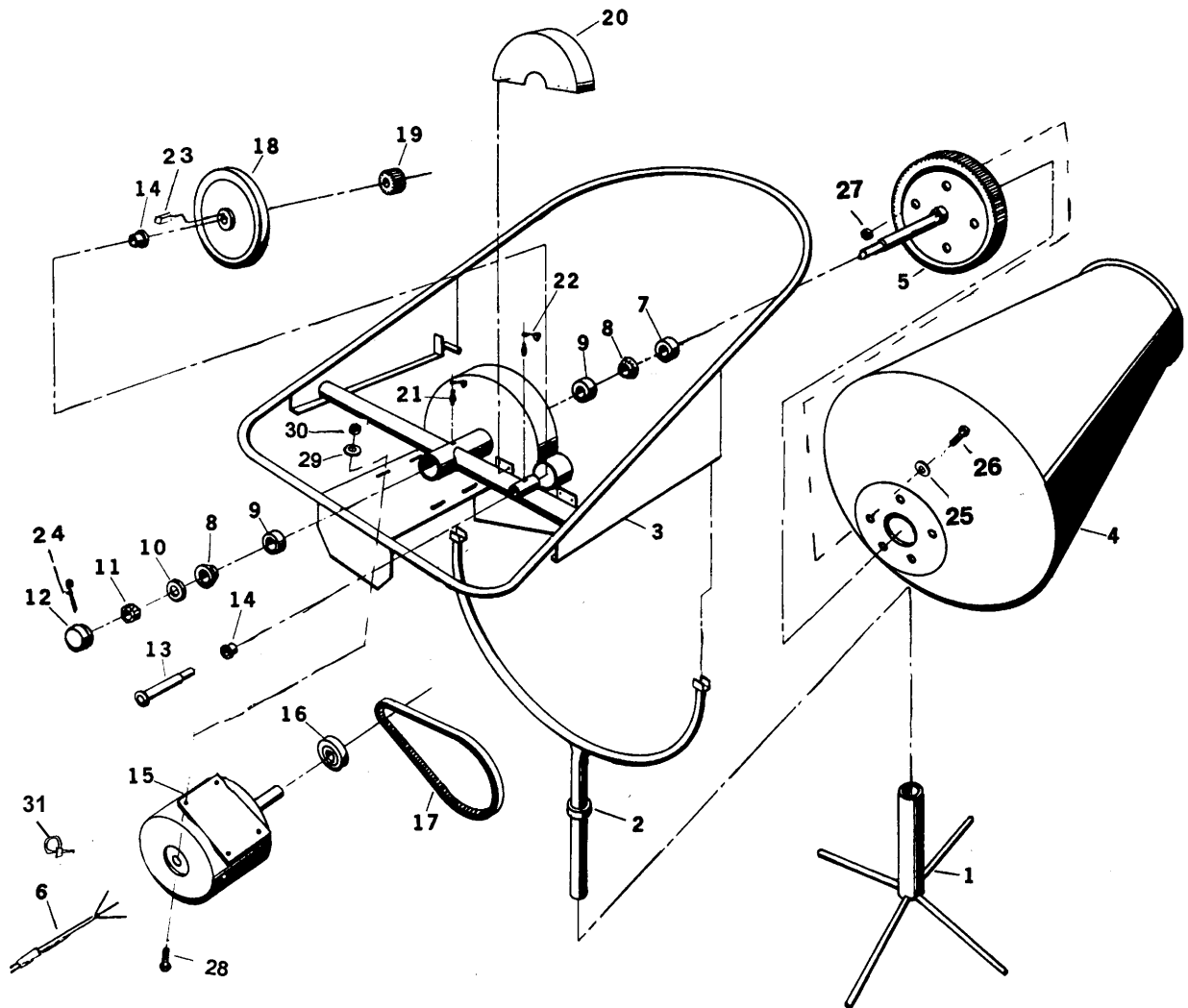


# PARTS LIST

2CM Assembly



# PARTS LIST

2CM Assembly

ITEM	PART NO.	DESCRIPTION	QTY.
1	21526-2	Stand Weld	1
2	21527-2	Yoke Weld	1
3	21520-2	Frame Weld	1
4	21341-2	Drum Weld	1
5	21351	Shaft Main Gear Assembly	1
6	48318	Power Cord	1
7	32079	Seal CR14975	1
8	32076	Cone Race Bearing	2
9	32075	Cup Bearing 67010	2
10	80344	Washer 3/4 SAE ZN PL	1
11	80054	NTSFX 3/4 SLTD ZN	1
12	34642	Cap Dust	1
13	21525	Shaft Jack Assembly	1
14	42271	Bushing Flange Bronze	2
15	30095	Motor 1/4 hp	1
16	30056	Pulley	1
17	34526	V-Belt A-34	1
18	30058	Pulley	1
19	30059	Pinion	1
20	21553-2	Guard Belt	1
21	46042	Fitting Grease	12
22	47001	Caplug Blue	2
23	80589	Key Sq 3/16 x 3/4	1
24	80582	Pinct 1/8 x 1-3/4 ZN	1
25	46045	Fender Washer 3/8 ZN	10
26	80174	HHCS 3/8-16 x 1 ZN	5
27	80056	NUTNY 3/8-16 ZN	5
28	80580	CRBLT 5/16-18 X 3/4 ZN	4
29	80348	WSHR 5/16 WROT ZN	4
30	80114	NUTNY 5/16-18 ZN	4
31	47198	Tie Wrap	1

**NOTICE**  
CONTACT THE MANUFACTURER  
IMMEDIATELY AT 1-800-888-9926 IF  
SAFETY OR HAZARD DECALS OR  
OWNER'S MANUAL ARE MISSING  
FROM THIS EQUIPMENT.

55156

## SAFETY INSTRUCTION

- CAUTION:** READ OWNER'S SERVICE MANUAL BEFORE OPERATING OR SERVICING THIS MACHINE.
- CAUTION:** ALWAYS KEEP UNAUTHORIZED, INEXPERIENCED, UNTRAINED PEOPLE AWAY FROM THIS MACHINE.
- CAUTION:** ROTATING AND MOVING PARTS WILL CAUSE INJURY IF CONTACTED. MAKE SURE GUARDS AND SAFETY DEVICES ARE IN PLACE BEFORE THIS MACHINE IS OPERATED. MAKE SURE ENGINE IS SHUT DOWN AND SPARK PLUG WIRE DISCONNECTED BEFORE SERVICING THE MACHINE OR APPROACHING THE MOVING PARTS-IF ELECTRIC MOTOR, DISCONNECT PLUG.
- CAUTION:** NEVER LEAVE MACHINE UNATTENDED WHEN OPERATING. ALWAYS STOP ENGINE OR MOTOR BEFORE ADDING FUEL OR OIL.

55046

# PARTS LIST

## Decal Identification

---

ITEM	PART NO.	DESCRIPTION	QTY.
1	55156	Decal Notice	1
2	55046	Decal Safety Instructions	1