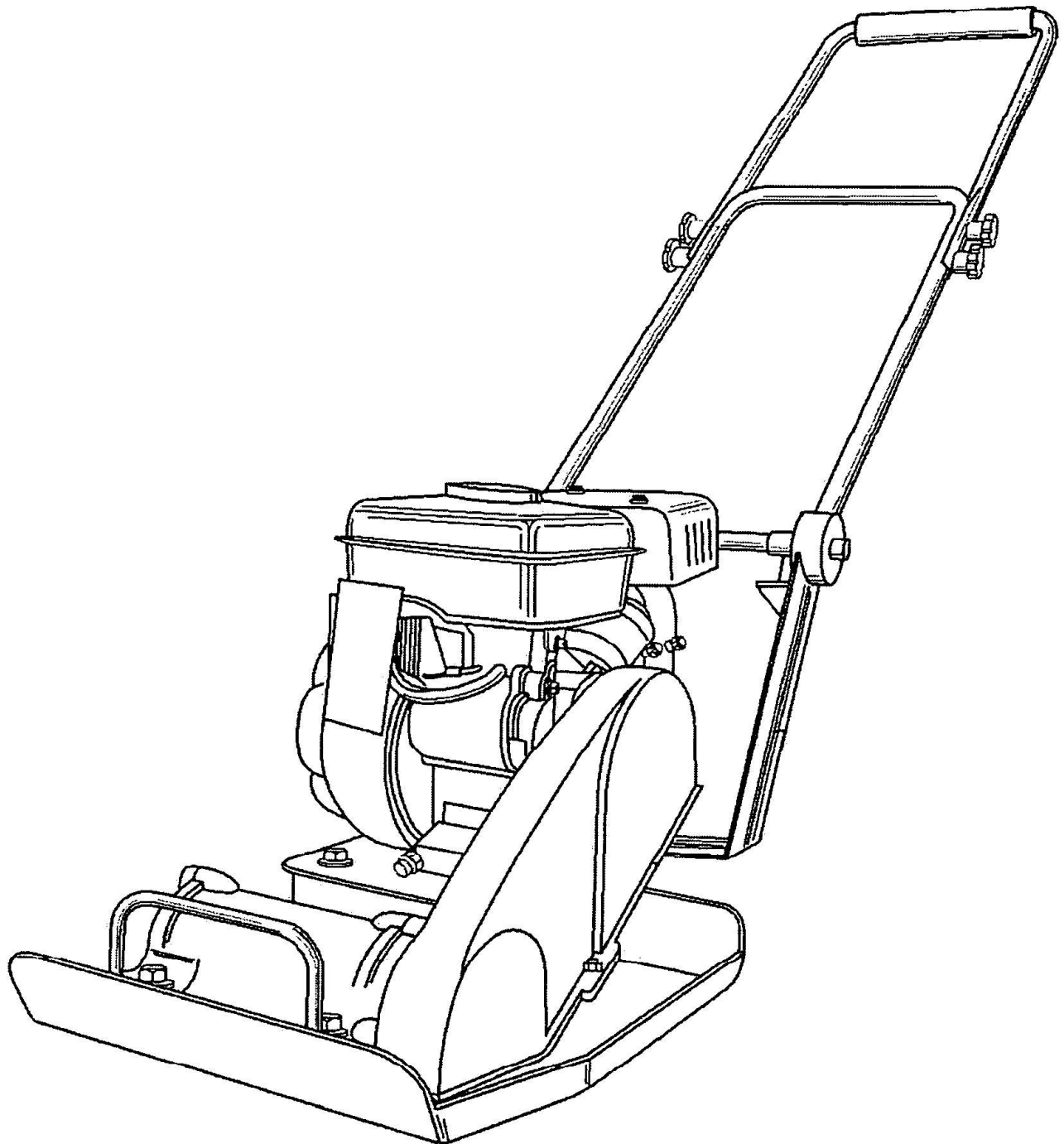
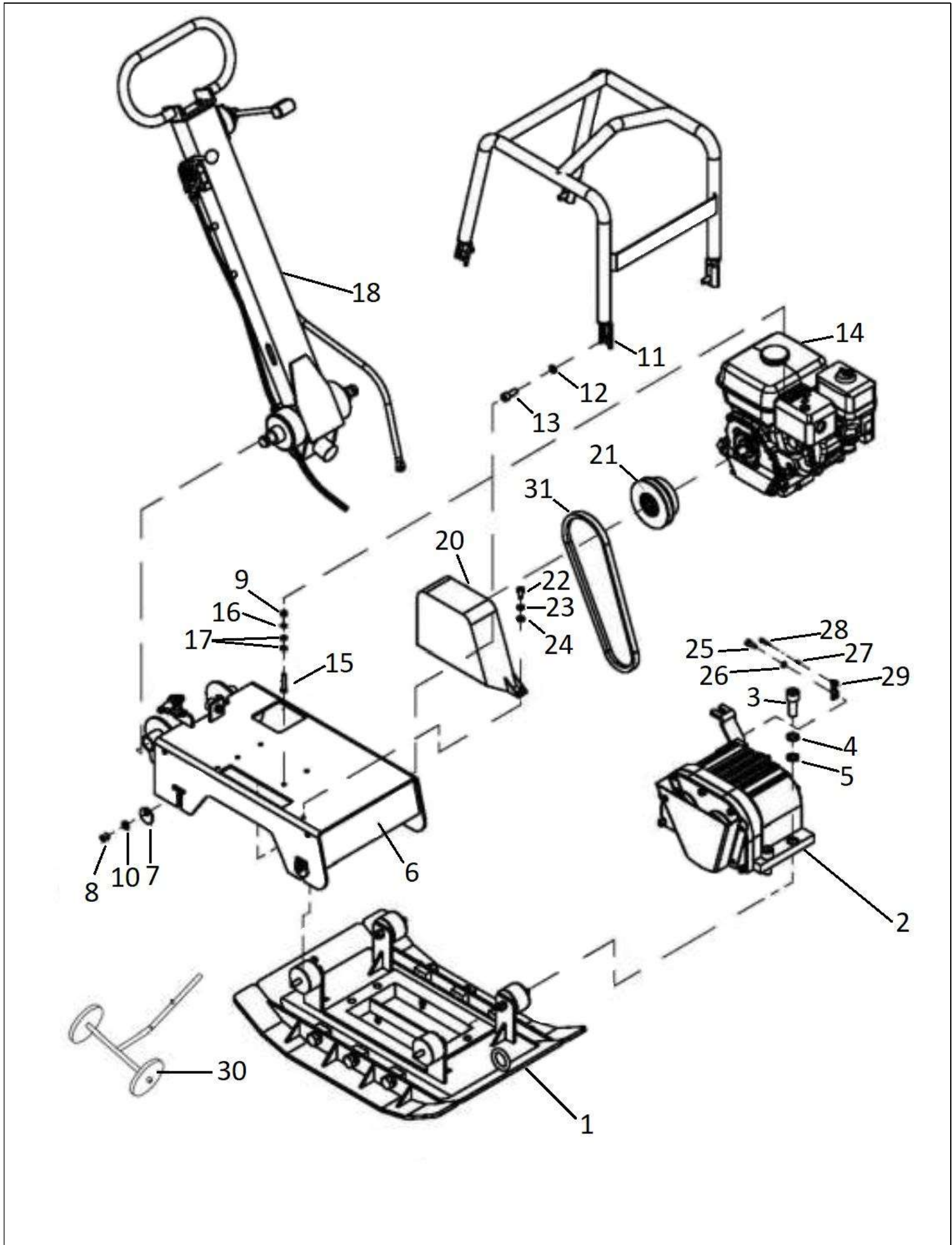
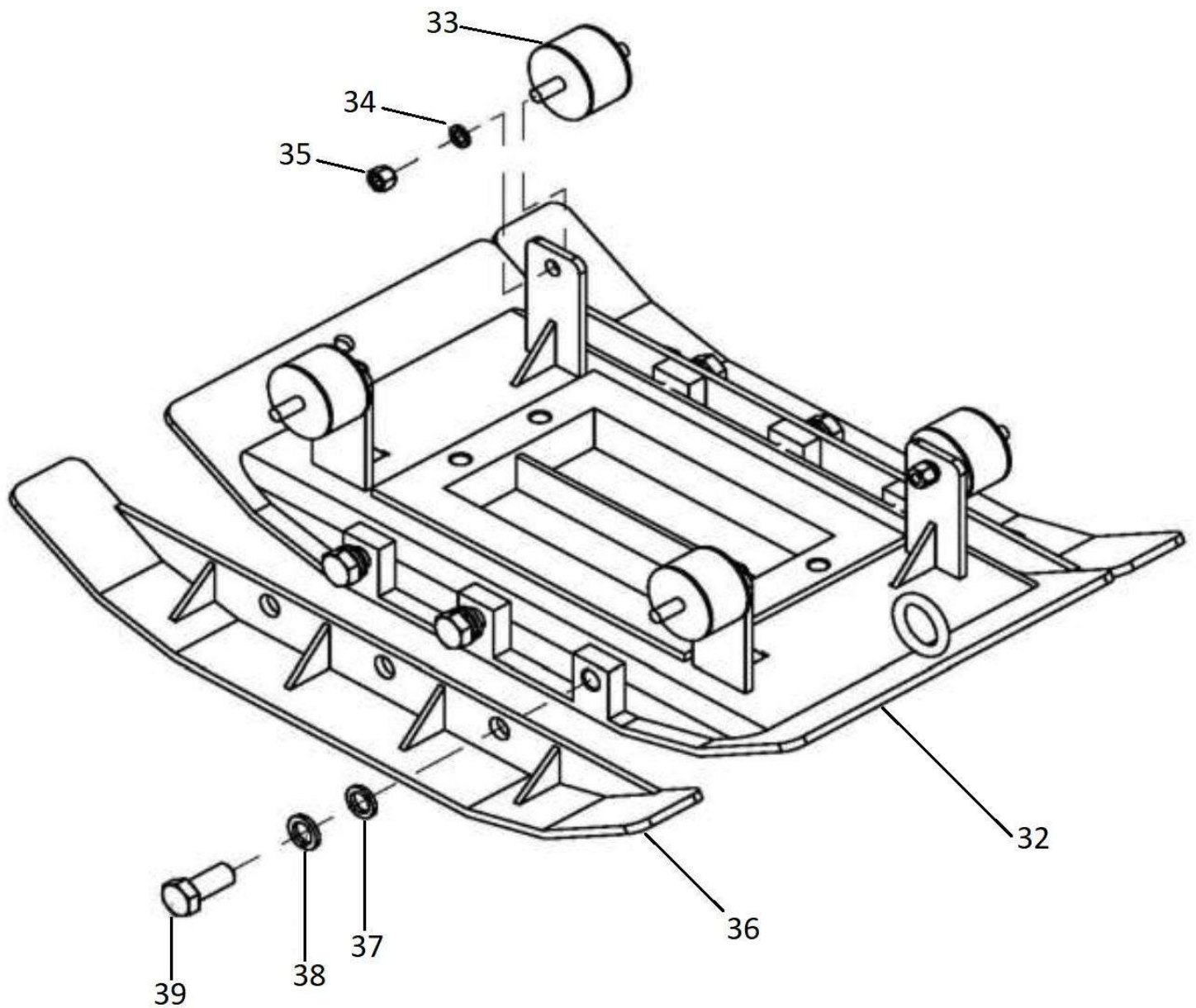


PLATE COMPACTORS

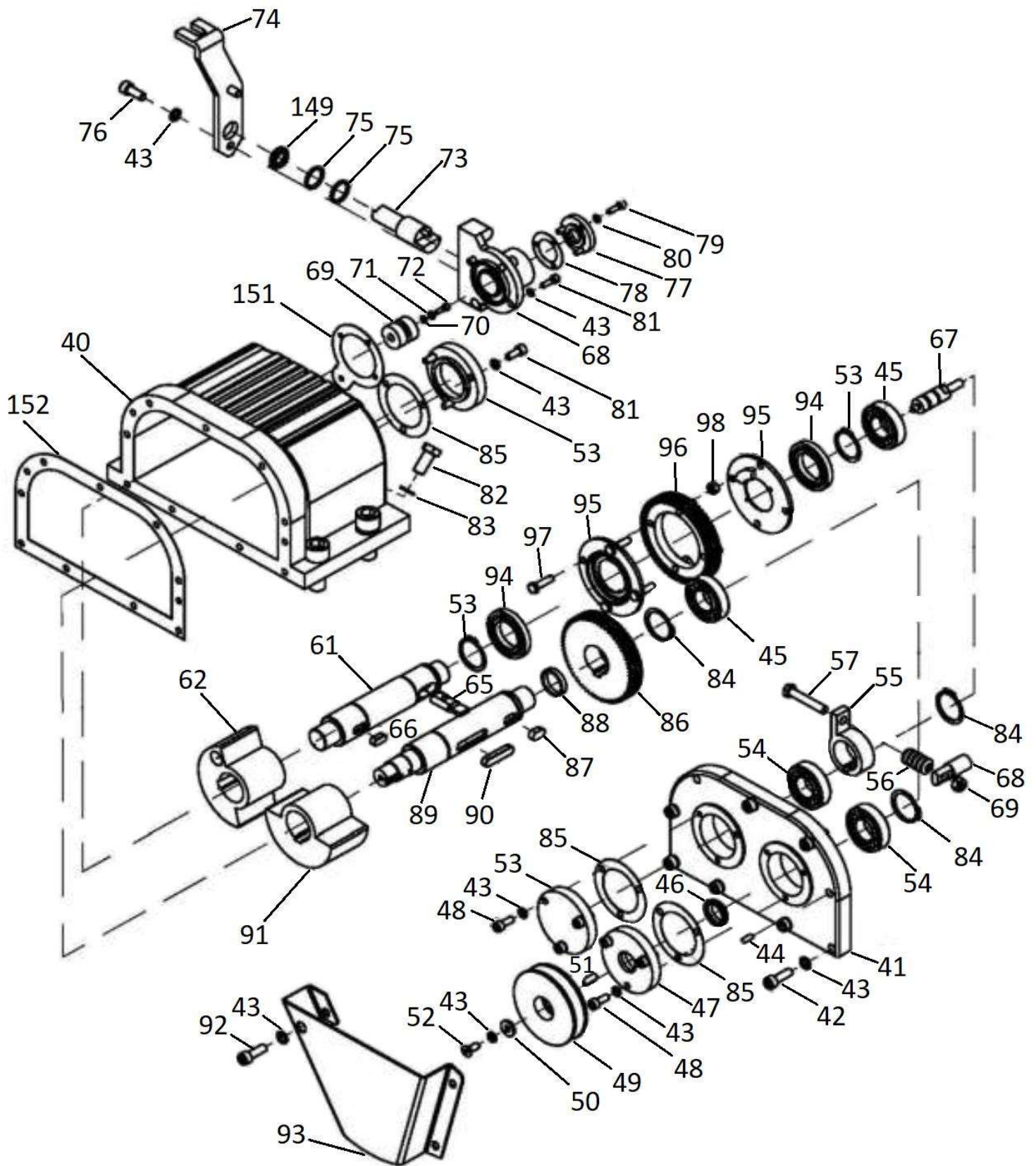




ITEM	PART #	DESCRIPTION ENGLISH	MVP125	PRICE LIST
1	PC3001000-3	MVP125 BASE PLATE ASSEMBLY	1	\$830.00
2	PC3002000-2	MVP125 VIBRATION BOX	1	\$645.00
3	PC700018-50	BOLT M18 x 50-GB70	4	\$1.25
5	PC930018	SPRING WAHSER M8 X 18-GB93	4	\$1.08
6	PC3003000-2A	MVP125 ENGINE MOUNTING PLATE	1	\$500.00
7	PC3004000	MVP125 ADJUSTING PLATE	4	\$10.00
8	PC410012	NUT M12-GB41	4	\$1.25
9	PC617010	NUT M10-GB6170	1	\$1.25
10	PC930012	SPRING WAHSER 12-GB93	4	\$1.08
11	PC3005000	MVP125 CAGE ASSEMBLY	1	\$380.00
12	PC930012	SPRING WAHSER 12-GB93	4	\$1.08
13	PC700012-30	BOLT M12 x 30-GB70	4	\$1.25
14	202002M	HONDA ENGINE GX160	1	\$480.00
15	PC700010-45	BOLT M10 x 45-GB70	4	\$1.25
16	PC930010	SPRING WASHER10-GB93	4	\$1.08
17	PC970010	WASHER10-GB97.1	8	\$1.08
18	PC3006000-2	MVP125 HANDLE ASSEMBLY	1	\$375.00
20	PC3007000	MVP125 BELT GUARD FOR GAS ENGINE	1	\$80.00
21	PC3008000-2	MVP125 ENGINE PULLEY FOR HONDA	1	\$300.00
22	PC700008-20	BOLT M6 x 20-GB70	1	\$1.25
23	PC930008	SPRING WASHER6-GB93	2	\$1.08
24	PC970008	WASHER6-GB97.1	2	\$1.08
25	PC700006-20	BOLT M8 x 20-GB70	1	\$1.25
26	PC930008	SPRING WAHSER M8 X 18-GB93	1	\$1.08
27	PC0950008	WASHER 8 - GB95	1	\$1.08
28	PC700008-16	BOLT M8*16-GB70	2	\$1.25
29	PC3009000	SPRING	1	\$29.00
30	PC3010000	MVP125 TROLLEY WHEEL KIT (OPTIONAL)	1	\$560.00
31	PC3011000-4	V-BELT FOR GAS ENGINE MVP125	1	\$40.00

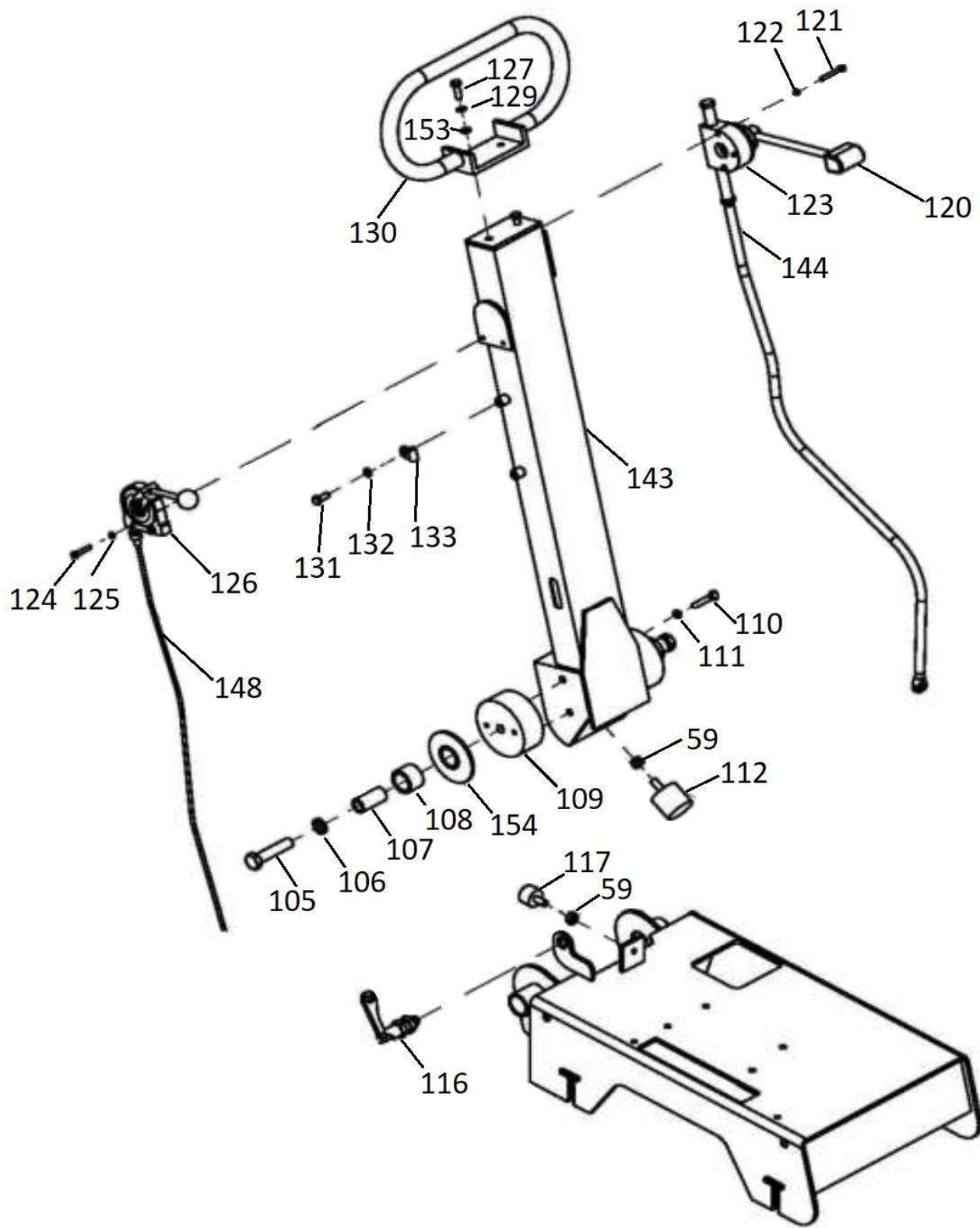


ITEM	PART #	DESCRIPTION ENGLISH	MVP125
32	PC3001001-3	MVP125 BASE PLATE ONLY	1
33	PC3001002	VIBRATION DAMPER FOR MVP125	4
34	PC970012	WASHER12-GB97	4
35	PC617012	NUT M12-GB6170	4
36	PC3001003	MVP125 EXTENSION PLATE (OPTIONAL)	2
37	PC970020	WASHER-GB97	6
38	PC930020	SPRING WASHER-GB93	6
39	PC578020	BOLT M16X50-GB5783	6



ITEM	PART #	DESCRIPTION ENGLISH	MVP125
40	PC3002001-2	EXCITER BOX FOR MVP125	1
41	PC3002002	BOX COVER	1
42	PC700008-25	BOLT M10x 30-GB70	9
43	PC9300010	SPRING WAHSER M8	9
44	PC119008	PIN BOLT8-GB119	2
45	PC283006	BEARING 32206-GB283	2

46	PC987752	OIL SEAL 50 x 28 x 10-GB9877.1	1
47	PC3002003	BEARING COVER (R)	1
48	PC700008-20	BOLT M8 x 20-GB70	9
49	PC3002004	MVP125 EXCITER BOX PULLEY	1
50	PC3002005	WASHER	1
51	PC109608	KEY C20 x 8-GB1096	1
52	PC578308	BOLT M8 x 20-GB5783	1
53	PC3002006	BEARING COVER (L)	2
54	PC276006	BEARING60206-GB276	2
55	PC3002007	PINCH CLAMP PILLOWBLOCK	1
56	PC3002008	BOLT M10	12
57	PC3002009	BOLT	1
58	PC854010	WASHER10-GB854	1
59	PC617010	NUT M10-GB6170	1
61	PC3002010-2	SPINDLE FOR MVP125	1
62	PC3002011-2	UNBALANCE WEIGHT FOR MVP125	1
63	PC894040	RETAINING RING40-GB894	2
65	PC3002013	DIRECTION PIN	1
67	PC3002014	SPINDLE	1
68	PC3002015	DIRECTION HOUSING	1
69	PC3002016	ROTARY COVER	1
70	PC3002017	WAHSER	1
71	PC930005	SPRING WASHER5-GB93	1
72	PC700005-16	BOLT M5 X 16-GB70	1
73	PC3002018	SPINDLE	1
74	PC3002019	BASE COVER	1
75	PC345226	O RING 30x4	2
76	PC578308	BOLT M810X 25-GB5783	2
77	PC3002020	BOARD COVER	1
78	PC3002021	GASKET COVER	1
79	PC700006	BOLT M6 X 22-GB70	3
80	PC930006	SPRING WASHER 6-GB93	3
81	PC700008-30	BOLT M8 X 25-GB70	4
82	PC578614	BOLT M14 X 1.5 X 20-GB5786	2
83	PC3002022	SPRING WASHER	2
84	PC894042	RETAINING RING42-GB894	3
85	PC3002023	COVER GASKET	3
86	PC3002024	GEAR	1
87	PC109612	KEY A12 X 20-GB1096	1
88	PC3002025-2	SPACER FOR MVP125	1
89	PC3002026-2	PULLEY SHAFT FOR MVP125	1
90	PC109612	KEY A12 X 50-GB1096	1
91	PC3002027-2	UNBALANCE WEIGHT FOR MVP125	1
92	PC578208	BOLT M8 X 16	4
93	PC3002028	BELT GUARD	1
94	PC276008	BEARING 16008-GB276	2
95	PC3002012-1	CLUTCH BODY	2
96	PC3002012-2	GEAR	1
97	PC3002012-3	BOLT M8 X 30	4
98	PC617008	NUT M8-GB6170	4
151	PC3002031	OIL SEAL GASKET	1
152	PC3002032	OIL SEAL GASKET	1



ITEM	PART #	DESCRIPTION ENGLISH	MVP125
105	PC578012-60	NUT M12 X 60 - GB5780 FOR MVP125	2
106	PC950012	WASHER 12 -GB95	2
107	PC3006010	COLLAR FOR MVP125	2
108	PC3006012	NYLON COLLAR FOR MVP125	2
109	PC3006400-2	VIBRATION DAMPER FOR MVP125	2
110	PC578008-20	NUT M8 X 20- GB5780	4
111	PC950008	WASHER 8 - GB95	4
112	PC3006200-2	VIBRATION DAMPER FOR MVP125	1
116	PC617320	BOLT M20 X 1.5 - GB6173	2
117	PC3006004	PIN	1
118	PC3006005	SPRING	1
119	PC3006007	SCREW ROD	1
120	PC3006009	PULLING HANDLE	1
121	PC701006-45	NUT M6 X 45- GB701	3
122	PC859006	SPRING WASHER 6 - GB859	3
123	PC3006006-3	TRAVEL LEVER	1
124	PC701008-30	NUT M8 X 30 - GB701	2
125	PC950008	WASHER 8 - GB95	2
126	PC680805001	THROTTLE LEVER ASSY. (OPTIONAL)	1
127	PC701008-25	NUT M8 X 25 - GB701	2
129	PC950008	WASHER 8 - GB95	2
130	PC3006500-2	HANDLE FOR MVP125	1
131	PC701008-20	NUT M8 X 20 - GB701 (OPTIONAL)	1
132	PC859008	SPRING WASHER 8 - GB859 (OPTIONAL)	3
133	PC3006601	CLIP (OPTIONAL)	3
134	PC3006013	KEY	3
143	PC3006014-2	HANDLE FRAME FOR MVP125	1
144	PC3006015-3A	CABLE FOR MVP125	1
148	PC3006017-1	THROTTLE WIRE (OPTIONAL)	1
153	PC930008	SPRING WASHER 8 - GB95	2
154	PC3006018	NYLON COLLAR	2