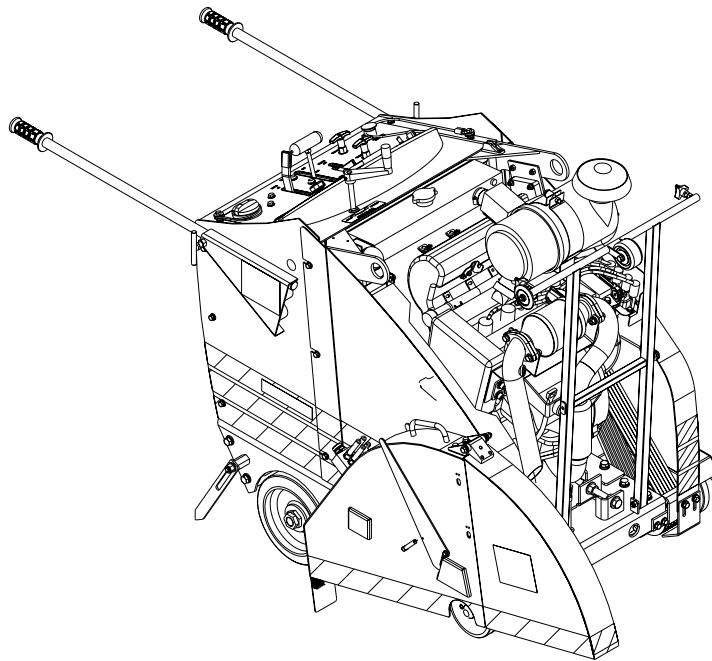


NORTON

clipper

C48 Series 03/2011

**SERVICE SAW SERIES
PARTS LIST
C48 HYUNDAI GASOLINE SERIES**



Hyundai
Gasoline Engine

CAUTION: Read all safety and operating instructions before using this equipment. This manual **MUST** accompany the equipment at all times.

Revision: 100 03/2011
Manual Part# 168499-PM

Congratulations on your purchase of a C48 Series Service Saw. We are certain that you will be pleased with your purchase. Norton Clipper takes pride in producing the finest construction power tools and diamond blades in the industry.

Operated correctly, your C48 Series Service Saw should provide you with years of service. In order to help you, we have included this manual. This owners manual contains information necessary to operate and maintain your C48 Series Service Saw safely and correctly. Please take the time to familiarize yourself with the C48 Series Service Saw by reading and reviewing this manual.

Read and follow all safety, operating and maintenance instructions.



NOTE THIS INFORMATION FOR FUTURE USE:

MODEL NUMBER:	
SERIAL NUMBER:	
PURCHASE PLACE:	
PURCHASE DATE:	

PARTS LIST	PAGE NO.
FIGURE 1 - PARTS LIST: C4820SS CONCRETE SAW - P/N 168499-20	4-5
FIGURE 2 - PARTS LIST: C4820SS CONCRETE SAW - P/N 168499-26	6-7
FIGURE 3 - PARTS LIST: C4820SS CONCRETE SAW - P/N 168499-30	8-9
FIGURE 4 - PARTS LIST: C4820SS CONCRETE SAW - P/N 168499-36	10-11
FIGURE 5 - PARTS LIST: C4800SD CONCRETE SAW - P/N 168499	12-13
FIGURE 6 - PARTS LIST: ASSY, ENGINE, HYUNDAI, C48HP - P/N 167244	14-15
FIGURE 7 - PARTS LIST: ASSY, 7" AIR CLEANER - P/N 167509	16
FIGURE 8 - PARTS LIST: ASSY, EXHAUST HYUNDAI - P/N 167261	17
FIGURE 9 - PARTS LIST: ASSY, INSTRUMENT PANEL - P/N 167222-NRT	18
FIGURE 10 - PARTS LIST: ASSY, TRANSMISSION IDLER - P/N 167666	19
FIGURE 11 - PARTS LIST: ASSY, PULLEY, TRANS. BELT, - P/N 167276	20
FIGURE 12 - PARTS LIST: ASSY, C44/48 SUB A - P/N 167197-NRT	21
FIGURE 13 - PARTS LIST: ASSY, C44/48 SUB B - P/N 167197-NRT	22-23
FIGURE 14 - PARTS LIST: ASSY, C44/48 SUB C - P/N 167197-NRT	24-25
FIGURE 15 - PARTS LIST: ASSY, C44/48 SUB D - P/N 167197-NRT	26-27
FIGURE 16 - PARTS LIST: ASSY, C44/48 SUB E - P/N 167197-NRT	28-29
FIGURE 17 - PARTS LIST: ASSY, DEPTH STOP - P/N 165710	30
FIGURE 18 - PARTS LIST: ASSY, FUEL TANK - P/N 167210	31
FIGURE 19 - PARTS LIST: ASSY, RADIATOR - P/N 167946	32
FIGURE 20 - PARTS LIST: ASSY, CONTROL PANEL, LESS, INT - P/N 167215-NRT	33
FIGURE 21 - PARTS LIST: ASSY, CONTROLHEAD, FNR - P/N 167226	34
FIGURE 22 - PARTS LIST: ASSY, UP/DOWN CONTROL - P/N 167233	35
FIGURE 23 - PARTS LIST: ASSY, WATER VALVE - P/N 164161	36
FIGURE 24 - PARTS LIST: ASSY, POINTER FRONT - P/N 160931	37
FIGURE 25 - PARTS LIST: ASSY, POINTER WHEEL - P/N 165238	38
FIGURE 26 - PARTS LIST: ASSY, REAR POINTER - P/N 163824	38
FIGURE 27 - PARTS LIST: ASSY, SHAFT GUARD - P/N 166056	39
FIGURE 28 - PARTS LIST: ASSY, FRAME SUB - P/N 167294	40-41
FIGURE 29 - PARTS LIST: ASSY, BLADE SHAFT - P/N 161210	42
FIGURE 30 - PARTS LIST: TRUCK, FRONT PIVOT - P/N 165705	43
FIGURE 31 - PARTS LIST: TRANSMISSION - P/N 167198	44-45
FIGURE 32 - PARTS LIST: 20" BLADE GUARD - P/N 168279-20	46-47
FIGURE 33 - PARTS LIST: 26" BLADE GUARD - P/N 168279-26	48-49
FIGURE 34 - PARTS LIST: 30" BLADE GUARD - P/N 168279-30	50-51
FIGURE 35 - PARTS LIST: 36" BLADE GUARD - P/N 168279-36	52-53
FIGURE 36 - PARTS LIST: ASSY, WATER MANIFOLD 2T - P/N 167624-NRT	54
FIGURE 37 - PARTS LIST: ASSY, WATER MANIFOLD 4T - P/N 167624-NRT	54
FIGURE 38 - PARTS LIST: ASSY, HINGE - P/N 163979	55

FIGURE 1 - PARTS LIST: C4820SD CONCRETE SAW P/N 168499-20

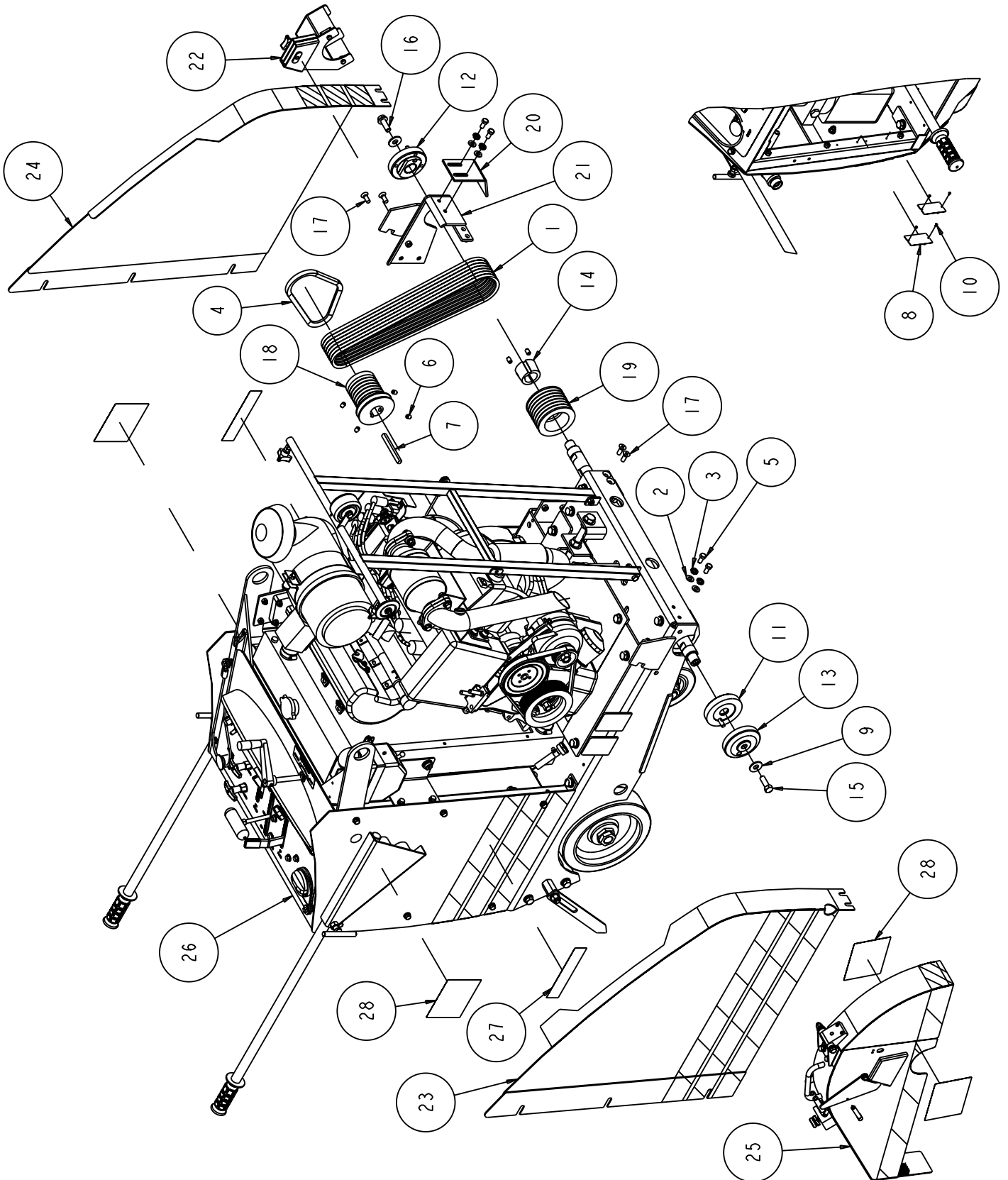


FIGURE 1 - PARTS LIST: C4820SD CONCRETE SAW P/N 168499-20

ITEM NO.	DESCRIPTION	PART OR IDENTIFYING NO.	QTY. REQ.
1	BELT, V, 3VX425	138172	7
2	WASHER, LOCK, SPLIT, 5/16	151747	4
3	WASHER, 5/16 SAE FLAT	151754	4
4	BELT, AX-24	153212	1
5	SCREW, HEX, 3/8 - 16 X 3/4	153527	4
6	SCREW, SET, SOC, CUPT, 3/8 - 16 X 1/2	153710	4
7	KEY, SQR, 3/8 X 4.0	154853	1
8	TAG, SERIAL #, BLANK	157500-RW	2
9	WASHER, 1/2 USS FLAT	157679	2
10	DRIVE SCREW, #7 X 5/16 ROUND HEAD	157849	4
11	ASSY, FLANGE, 4" INNER, LH	160781	1
12	ASSY, FLANGE, 4" INNER, RH	160782	1
13	FLANGE, 4" OUTER	160798	1
14	BUSHING, TPR-LOCK, 1615 X 1-3/8	160811	1
15	SCREW, 1/2-13 X 1-1/2 HEX HEAD, LEFT HAND	160818	1
16	SCREW, 1/2-13 X 1-1/2 HEX FLANGE HEAD, RIGHT HAND	160819	1
17	SCREW, 3/8-16 X 1 FLATHEAD MACHINE	162067	4
18	PULLEY, 7/3VX/3.2 X 1-7/16 BORE	165694-18	1
19	PULLEY, 7/3VX/4.12 X 1615TB	165695	1
20	PLATE, BELT PROTECTOR	165707	1
21	CORNER, FRAME	165871	1
22	ASSY, SHAFT GUARD	166056	1
23	GUARD, ENGINE, RIGHT, C48	167286-NRT	1
24	GUARD, ENGINE, LEFT, C48/48	167287-NRT	1
25	ASSY, 20" BLADE GUARD	168279-20	1
26	C4800SD CONC SAW, PARENT	168499	1
27	LABEL, C4820SD MODEL	168545-4820	2
28	LABEL, NORTON/CLIPPER LOGO	168546	4

FIGURE 2 - PARTS LIST: C4826SD CONCRETE SAW P/N 168499-26

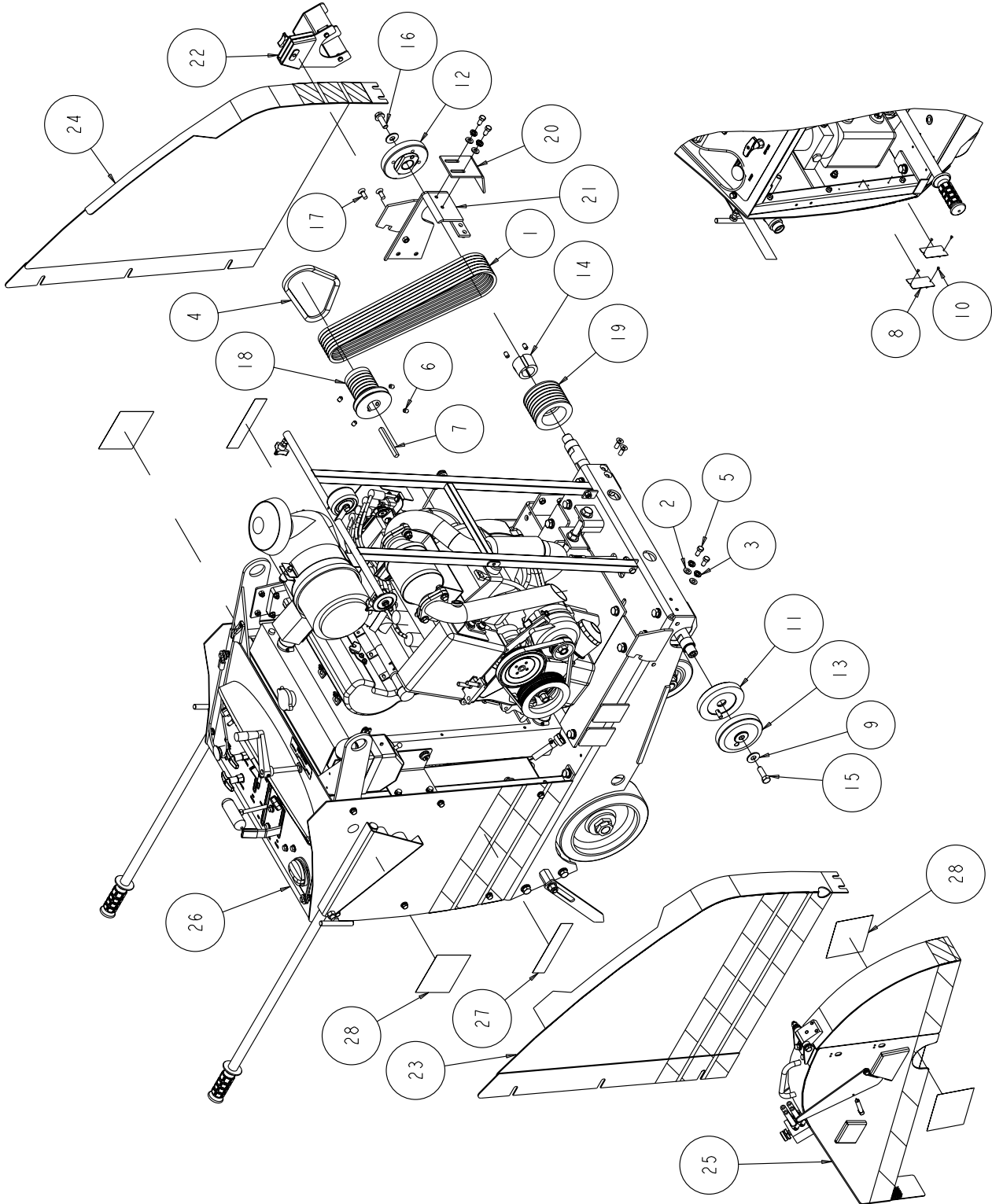


FIGURE 2 - PARTS LIST: C4826SD CONCRETE SAW P/N 168499-26

ITEM NO.	DESCRIPTION	PART OR IDENTIFYING NO.	QTY. REQ.
1	BELT, V, 3VX425	138172	7
2	WASHER, LOCK, SPLIT, 5/16	151747	4
3	WASHER, 5/16 SAE FLAT	151754	4
4	BELT, AX-24	153212	1
5	SCREW, HEX, 3/8 - 16 X 3/4	153527	4
6	SCREW, SET, SOC, CUPT, 3/8 - 16 X 1/2	153710	4
7	KEY, SQR, 3/8 X 4.0	154853	1
8	TAG, SERIAL #, BLANK	157500-RW	2
9	WASHER, 1/2 USS FLAT	157679	2
10	DRIVE SCREW, #7 X 5/16 ROUND HEAD	157849	4
11	ASSY, FLANGE, 5" INNER, LH	160783	1
12	ASSY, FLANGE, 5" INNER, RH	160784	1
13	FLANGE, 5" OUTER	160799	1
14	BUSHING, TPR-LOCK, 1615 X 1-3/8	160811	1
15	SCREW, 1/2-13 X 1-1/2 HEX HEAD, LEFT HAND	160818	1
16	SCREW, 1/2-13 X 1-1/2 HEX FLANGE HEAD, RIGHT HAND	160819	1
17	SCREW, 3/8-16 X 1 FLATHEAD MACHINE	162067	4
18	PULLEY, 7/3VX/2.8 X 1-7/16 BORE	165694	1
19	PULLEY, 7/3VX/4.12 X 1615TB	165695	1
20	PLATE, BELT PROTECTOR	165707	1
21	CORNER, FRAME	165871	1
22	ASSY, SHAFT GUARD	165871	1
23	GUARD, ENGINE, RIGHT, C48	167286-NRT	1
24	GUARD, ENGINE, LEFT, C48/48	167287-NRT	1
25	ASSY, 26" BLADE GUARD	168279-26	1
26	C4800SD CONC SAW, PARENT	168499	1
27	LABEL, C4826SD MODEL	168545-4826	2
28	LABEL, NORTON/CLIPPER LOGO	168546	4

FIGURE 3 - PARTS LIST: C4830SD CONCRETE SAW P/N 168499-30

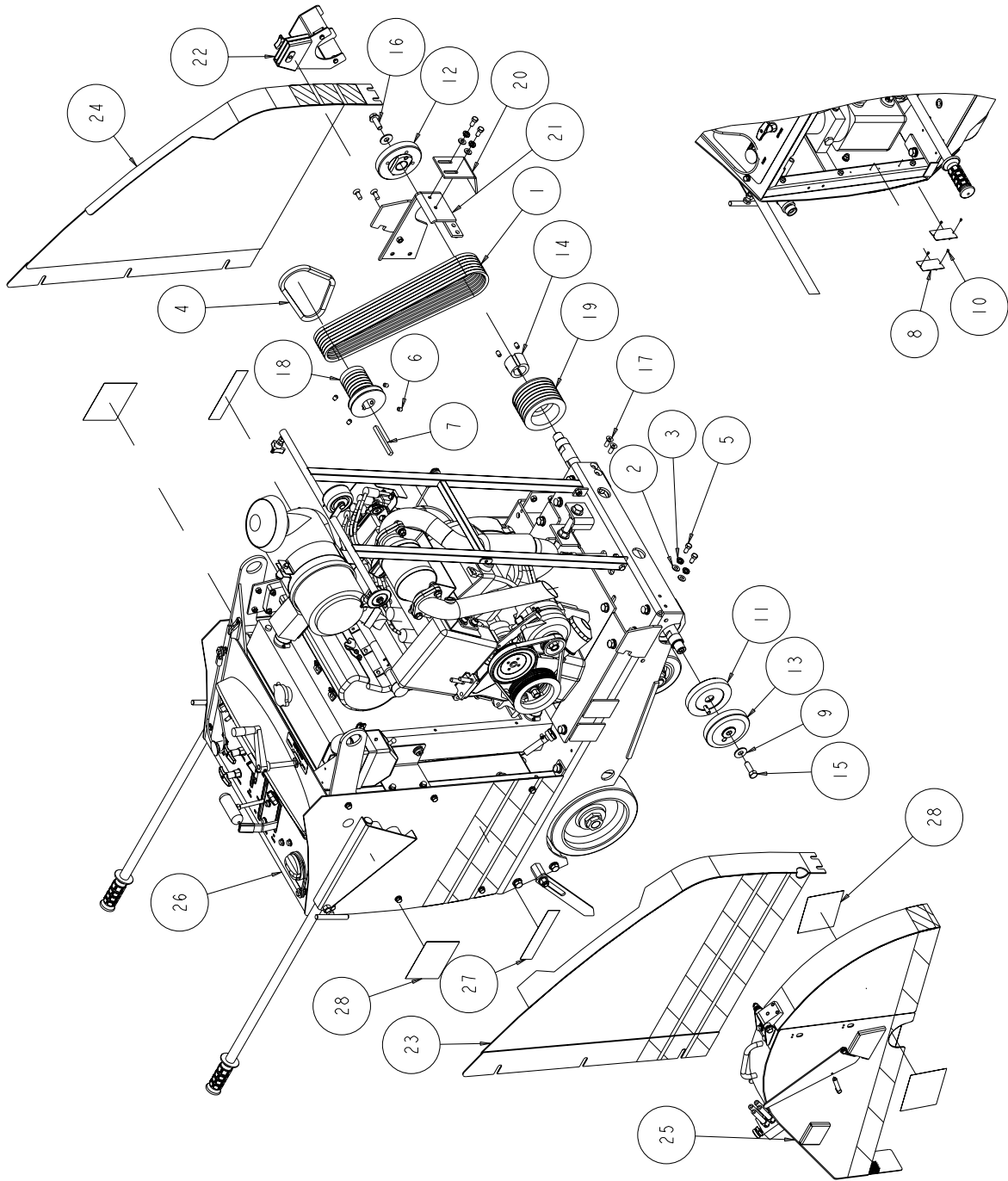


FIGURE 3 - PARTS LIST: C4830SD CONCRETE SAW P/N 168499-30

ITEM NO.	DESCRIPTION	PART OR IDENTIFYING NO.	QTY. REQ.
1	BELT, V, 3VX425	138172	7
2	WASHER, LOCK, SPLIT, 5/16	151747	4
3	WASHER, 5/16 SAE FLAT	151754	4
4	BELT, AX-24	153212	1
5	SCREW, HEX, 3/8 - 16 X 3/4	153527	4
6	SCREW, SET, SOC, CUPT, 3/8 - 16 X 1/2	153710	4
7	KEY, SQR, 3/8 X 4.0	154853	1
8	TAG, SERIAL #, BLANK	157500-RW	2
9	WASHER, 1/2 USS FLAT	157679	2
10	DRIVE SCREW, #7 X 5/16 ROUND HEAD	157849	4
11	ASSY, FLANGE, 5" INNER, LH	160783	1
12	ASSY, FLANGE, 5" INNER, RH	160784	1
13	FLANGE, 5" OUTER	160799	1
14	BUSHING, TPR-LOCK, 1615 X 1-3/8	160811	1
15	SCREW, 1/2-13 X 1-1/2 HEX HEAD, LEFT HAND	160818	1
16	SCREW, 1/2-13 X 1-1/2 HEX FLANGE HEAD, RIGHT HAND	160819	1
17	SCREW, 3/8-16 X 1 FLATHEAD MACHINE	162067	4
18	PULLEY, 7/3VX/2.8 X 1-7/16 BORE	165694	1
19	PULLEY, 7/3VX/4.12 X 1615TB	165695	1
20	PLATE, BELT PROTECTOR	165707	1
21	CORNER, FRAME	165871	1
22	ASSY, SHAFT GUARD	166056	1
23	GUARD, ENGINE, RIGHT, C48	167286-NRT	1
24	GUARD, ENGINE, LEFT, C48/48	167287-NRT	1
25	ASSY, 30" BLADE GUARD	168279-30	1
26	C4800SD CONC SAW, PARENT	168499	1
27	LABEL, C4830SD MODEL	168545-4830	2
28	LABEL, NORTON/CLIPPER LOGO	168546	4

FIGURE 4 - PARTS LIST: C4836SD CONCRETE SAW P/N 168499-36

ITEM NO.	DESCRIPTION	PART OR IDENTIFYING NO.	QTY. REQ.
1	SCREW, 3/8 - 16 X 1-1/4 HEX HEAD CAP	150774	2
2	WASHER, 3/8 SAE FLAT	150923	8
3	WASHER, 3/8 SPLIT LOCK	150925	4
4	NUT, 3/8 - 16 NYLOK HEX	152505	2
5	BELT, AX - 24	153212	2
6	SCREW, HEX, 3/8 - 16 X 3/4	153527	4
7	SCREW, SET, SOC, CUPT, 3/8 - 16 X 1/2	153710	4
8	KEY, SQR, 3/8 X 4.0	154853	1
9	TAG, SERIAL #, BLANK	157500-RW	2
10	WASHER, 1/2 USS FLAT	157679	2
11	DRIVE SCREW, #7 X 5/16 ROUND HEAD	157849	4
12	ASSY, FLANGE, 6" INNER, LH	160785	1
13	ASSY, FLANGE, 6" INNER, RH	160786	1
14	FLANGE, 6" OUTER	160800	1
15	BUSHING, TPR-LOCK, 1615 X 1-3/8	160811	1
16	SCREW, 1/2-13 X 1-1/2 HEX HEAD, LEFT HAND	160818	1
17	SCREW, 1/2-13 X 1-1/2 HEX FLANGE HEAD, RIGHT HAND	160819	1
18	SCREW, 3/8-16 X 1 FLATHEAD MACHINE	162067	4
19	PULLEY, 7/3VX/2.8 X 1-7/16 BORE	165694	1
20	PLATE, BELT PROTECTOR	165707	1
21	CORNER, FRAME, 36" BG	165871-36	1
22	ASSY, SHAFT GUARD	166056	1
23	PULLEY, 7/3VX/4.12 X 1615TB	165695	1
24	GUARD, ENGINE, RIGHT, C48	167286-NRT	
25	GUARD, ENGINE, LEFT, C44/48	167287-NRT	1
26	BELT, V, 3VX450	167517	7
27	ASSY, 36" BLADE GUARD	168279-36	1
28	C4800SD CONC SAW, PARENT	168499	1
29	LABEL, C4836SD MODEL	168545-4836	2
30	LABEL, NORTON/CLIPPER LOGO	168546	4

FIGURE 5 - PARTS LIST: C4800SD CONCRETE SAW P/N 168499

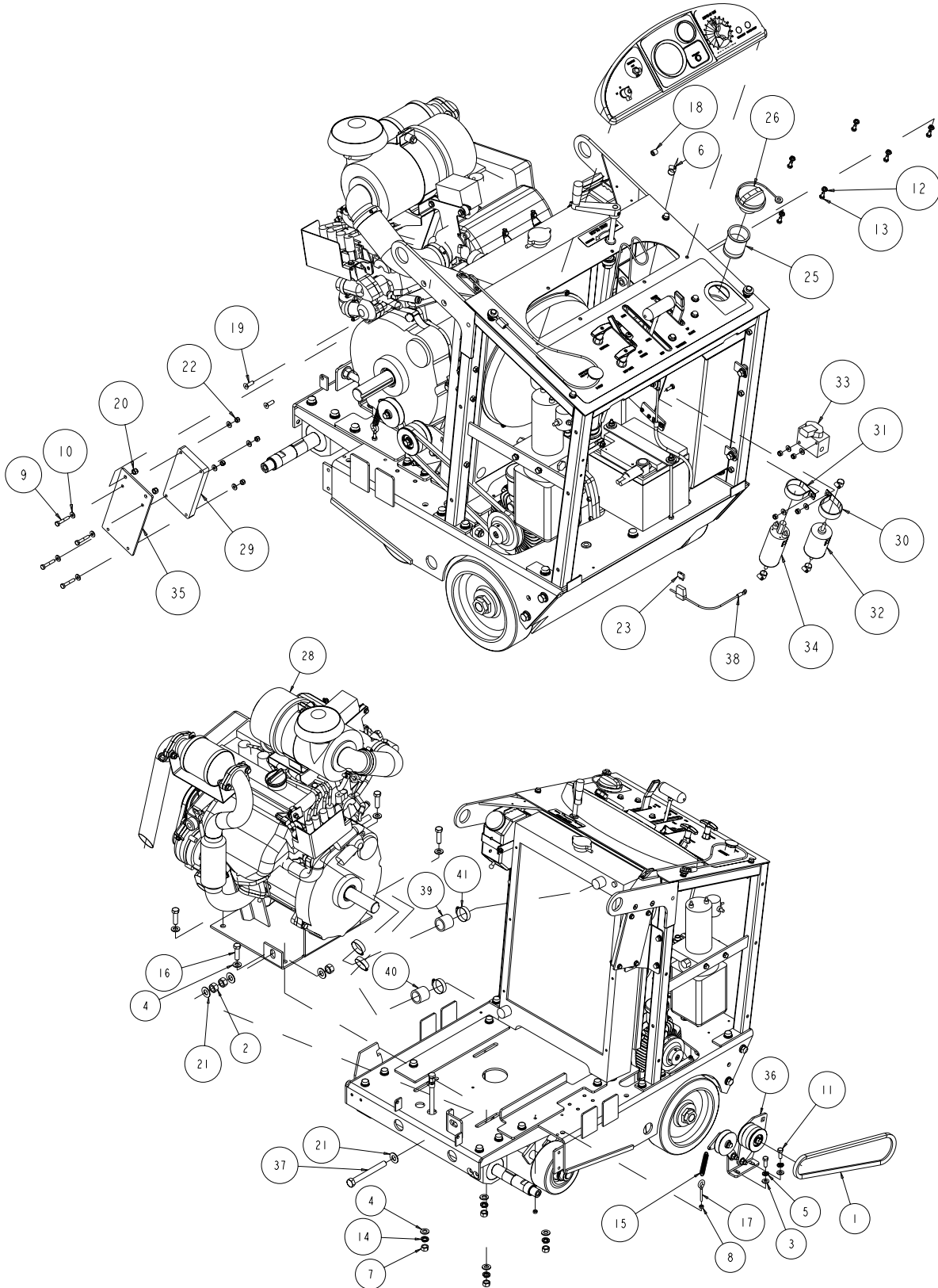


FIGURE 5 - PARTS LIST: C4800SD CONCRETE SAW P/N 168499

ITEM NO.	DESCRIPTION	PART OR IDENTIFYING NO.	QTY. REQ.
1	BELT, AX-38	133165	1
2	NUT, HEX, 5/8-18	135848	3
3	WASHER, 3/8 SAE FLAT	150923	2
4	WASHER, 1/2 SAE FLAT	150924	8
5	WASHER, 3/8 SPLIT LOCK	150925	2
6	CLAMP, 5/8 HOSE	151198	3
7	NUT, 1/2-13 HEX	151282	4
8	NUT, 1/4-20 HEX	151893	2
9	SCREW, HEX HEAD 1/4 - 20 X 1-1/2"	151914	4
10	WASHER, 1/4 SAE FLAT	151915	12
11	SCREW, HEX HD CAP, 3/8-16 X 1	152507	2
12	WASHER, 1/4 SPLIT LOCK	152591	6
13	SCREW, 1/4-20 X 1/2 HEX HEAD	152608	6
14	WASHER, 1/2 SPLIT LOCK	153524	4
15	SPRING, 9/16 X 2.5 EXTENSION	153807	1
16	SCREW, 1/2-13 X 1-3/4 HEX HEAD CAP	153853	4
17	EYEBOLT, 1/4-20 X 2	153887	1
18	PLUG, 1/4NPT HEX SOCKET	154679	1
19	SCREW, 5/16 - 18 X 1.0 FLAT HEAD SOCKET	155552	1
20	NUT, 1/4-20 NYLOK	159857	1
21	WASHER, FLAT, 5/8 SAE	158350	4
22	NUT, 1/4 - 20 NYLOK	159857	8
23	FUSE, 40A ATC BLADE	164595	1
24	ASSY, C48/48 SUB	167197-NRT	1
25	NECK, 2" FUEL FILLER	167219	1
26	CAP, 2" FUEL FILLER	167220	1
27	ASSY, INSTRUMENT PANEL	167222-NRT	1
28	ASSY, ENGINE, HY	167244	1
29	GAUGE, TACH, 48HY (INCLUDED W/ENGINE)	167246	1
30	CLAMP, 2-1/8 CUSHION LOOP (INCLUDED W/ENGINE)	167246	1
31	CLAMP, 2 CUSHION LOOP (INCLUDED W/ENGINE)	167246	1
32	FILTER, FUEL, HY (INCLUDED W/ENGINE)	167246	1
33	MANIFOLD, FUEL, HY (INCLUDED W/ENGINE)	167246	1
34	PUMP, FUEL, HY (INCLUDED W/ENGINE)	167246	1
35	PLATE, COMPUTER MOUNT	167269	1
36	ASSY, TRANS IDLER, HY	167275	1
37	SCREW, HEX, TAP, 5/8 - 11 X 5 - 1/2	167279	1
38	WIRE HARNESS, 4000KB	167280	1
39	HOSE, RADIATOR, 1-1/4ID, UPPER	167281	1
40	HOSE, RADIATOR, 1-1/4ID, LOWER, HY	167282	1
41	CLAMP, 1 - 1/16 TO 2 HOSE	167617	4
42	ANTIFREEZE/COOLANT (1GAL)	167692	1

FIGURE 6 - PARTS LIST: ASSY, ENGINE, HYUNDAI, C48 P/N 167244

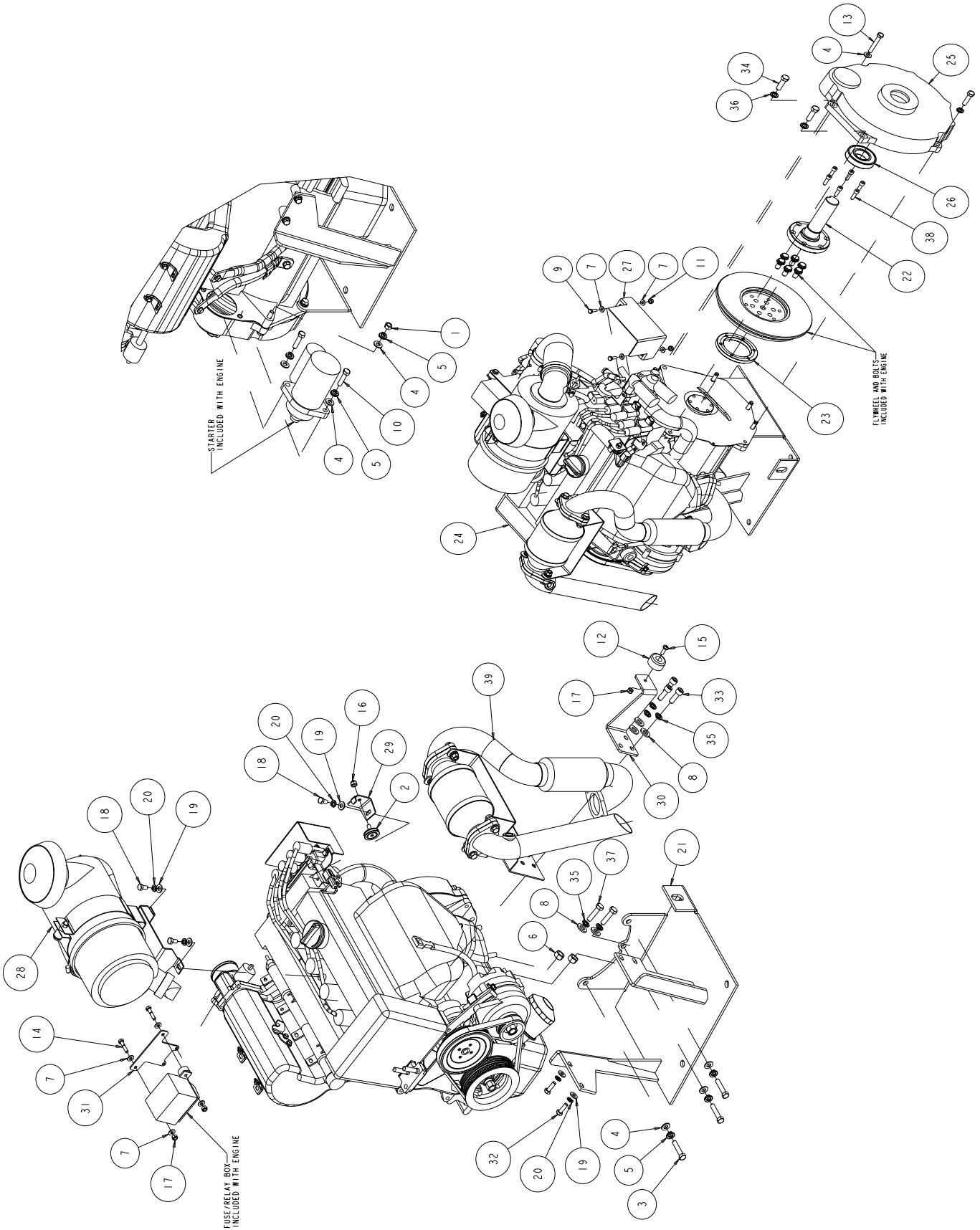
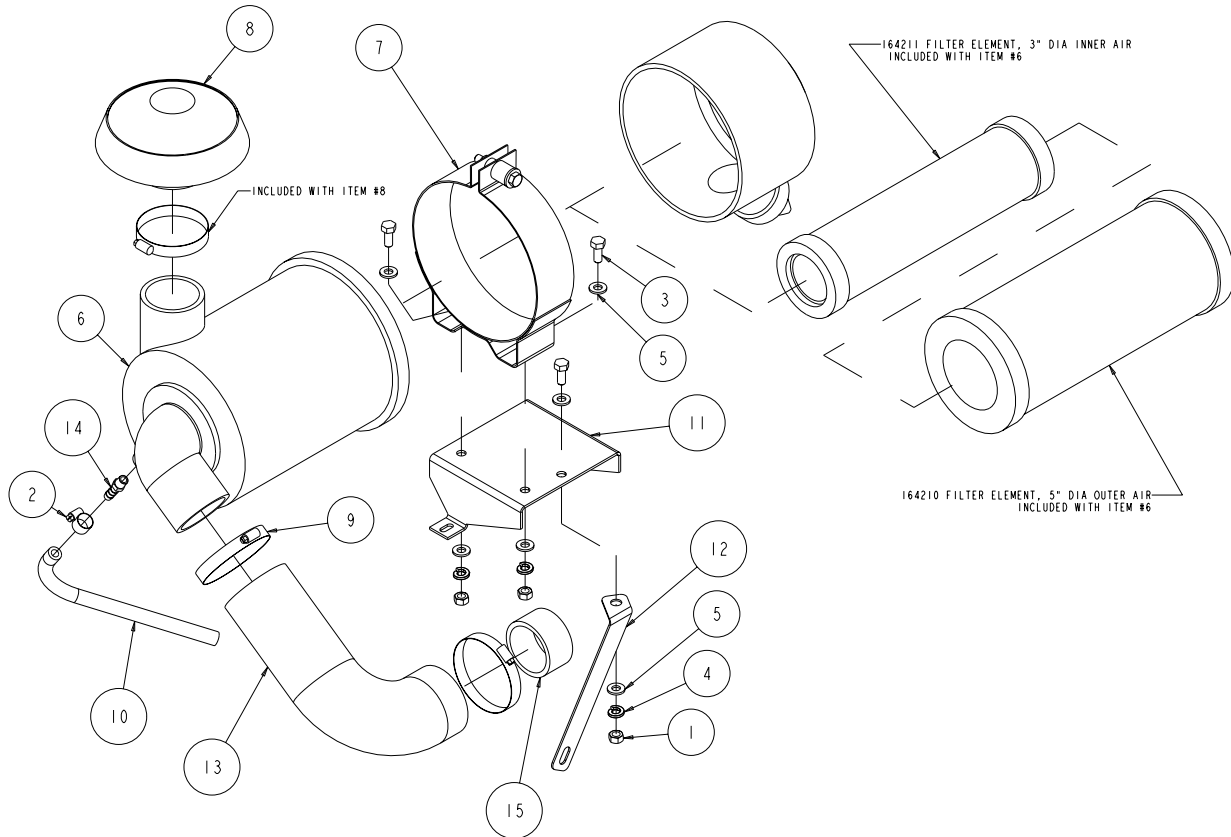


FIGURE 6 - PARTS LIST: ASSY, ENGINE, HYUNDAI, C48 P/N 167244

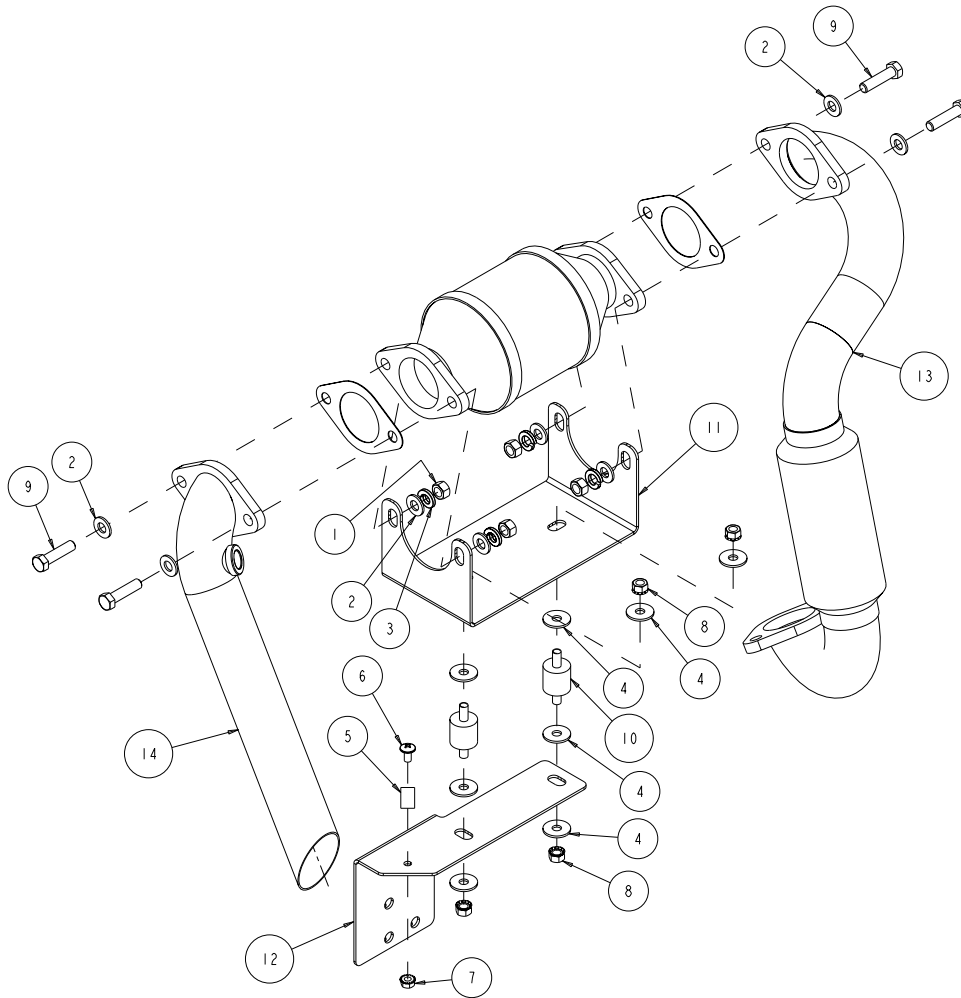
ITEM NO.	DESCRIPTION	PART OR IDENTIFYING NO.	QTY. REQ.
1	NUT, HEX, 5/16-18	101196	1
2	WHEEL, CONVEYOR CART	133090	1
3	SCREW, 3/8-16 X 1-3/4 HEX HEAD CAP	150920	3
4	WASHER, 3/8 SAE FLAT	150923	7
5	WASHER, 3/8 SPLIT LOCK	150925	6
6	NUT, 1/2-13 HEX	151282	2
7	WASHER, 1/4 SAE FLAT	151915	4
8	WASHER, FLAT, N, M12	152267	5
9	SCREW, HEX HD, 1/4 - 20 X 3/4	152370	2
10	SCREW, 3/8 - 16 X 1-1/2 HEX HEAD	153528	2
11	NUT, HEX, TW, 1/4 - 20	153941	2
12	BUMPER, 1 - 1/2 OD X 1/4 ID X 3/4	154496	1
13	BOLT, 3/8 - 16 X 2 -1/2 HEX HEAD TAP	155589	1
14	SCREW, HEX HD 1/4_20 X 1-1/4	157145	2
15	SCREW, 1/4-20 X 1/2 PAN HEAD PHILLIPS MACHINE	157523	1
16	NUT, 5/16-18 NYLOK HEX	158289	2
17	NUT, 1/4-20 NYLOK	159857	1
18	SCREW, HEX, M8 - 1.25 X 16MM	164223	3
19	WASHER, FLAT, N, M8	164855	5
20	WASHER, LOCK, SPLIT, M8	164855	5
21	MOUNT, ENGINE, HY	167245	1
22	SHAFT, PTO, HY	167247	1
23	RING, PTO BACKER, HY	167248	1
24	ENGINE, HYUNDAI, 48HP, COMP	167249	1
25	CASTING, FLYWHEEL, HY, COMP	167251	1
26	BEARING, 35 X 72 X 27, D-ROW BALL	167252	1
27	GUARD, DISTRIBUTOR, HY	167253	1
28	ASSY, AIR CLEANER, 7", HY	167254	1
29	BRACKET, POINTER STOP, HY	167259	1
30	PLATE, POINTER STOP, HY	167260	1
31	BRACKET, FUSEBOX, 4000HY	167283	1
32	SCREW, HEX, M8 - 1 1.25 X 25MM	167512	1
33	SCREW, SOC HD, M10 - 1.25 X 30MM	167513	3
34	SCRW, HEX, M12 - 1.25 X 40MM	167514	1
35	WASHER, SPLIT LOCK, M10	167515	6
36	WASHER, SPLIT LOCK, M12	167516	2
37	SCREW, HEX, M10 - 1.25 X 40MM	167613	3
38	SCREW, SOC, 5/16 - 24 X 1.0	167614	6
39	ASSY, EXHAUST, HY	168916	1

FIGURE 7 - PARTS LIST: ASSY, 7" AIR CLEANER HY P/N 167254



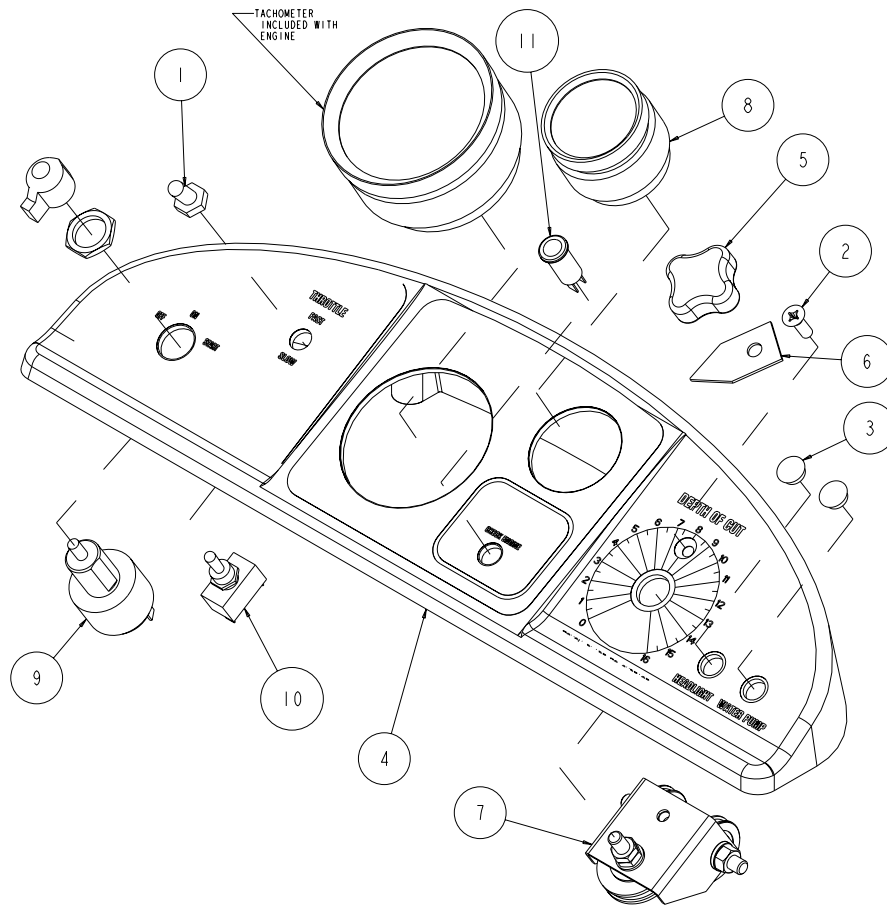
ITEM NO.	DESCRIPTION	PART OR IDENTIFYING NO.	QTY. REQ.
1	NUT, HEX 5/16 - 18	101196	3
2	CLAMP, 5/8 HOSE	151198	1
3	SCREW, 1/4-20 X 3/4 HEX HEAD MACHINE	152369	3
4	WASHER, LOCK, SPLIT, 5/16	151747	3
5	WASHER, FLAT, SAE, 5/16	151754	6
6	AIR CLEANER, 7"	162607	1
7	BRACKET, 7" AIR CLEANER	162608	1
8	HOOD, 2.5" INLET	162609	1
9	CLAMP, 1-5/16 TO 2-1/4 HOSE	162816	1
10	HOSE, 5/16 FUEL, 18"	164958	1
11	MOUNT, AIR CLEANER, HY	167255	1
12	BRACE, AIR CLEANER, HY	167256	1
13	HOSE, 2 - 1/2D X 90DEG INTAKE, COMP	167258	1
14	FITTING, 1/8 MNPT X 5/16 BARB	167926	1
15	SPACER, 2.0 ID HOSE	167927	1

FIGURE 8 - PARTS LIST: ASSY, EXHAUST, HYUNDAI P/N 167261



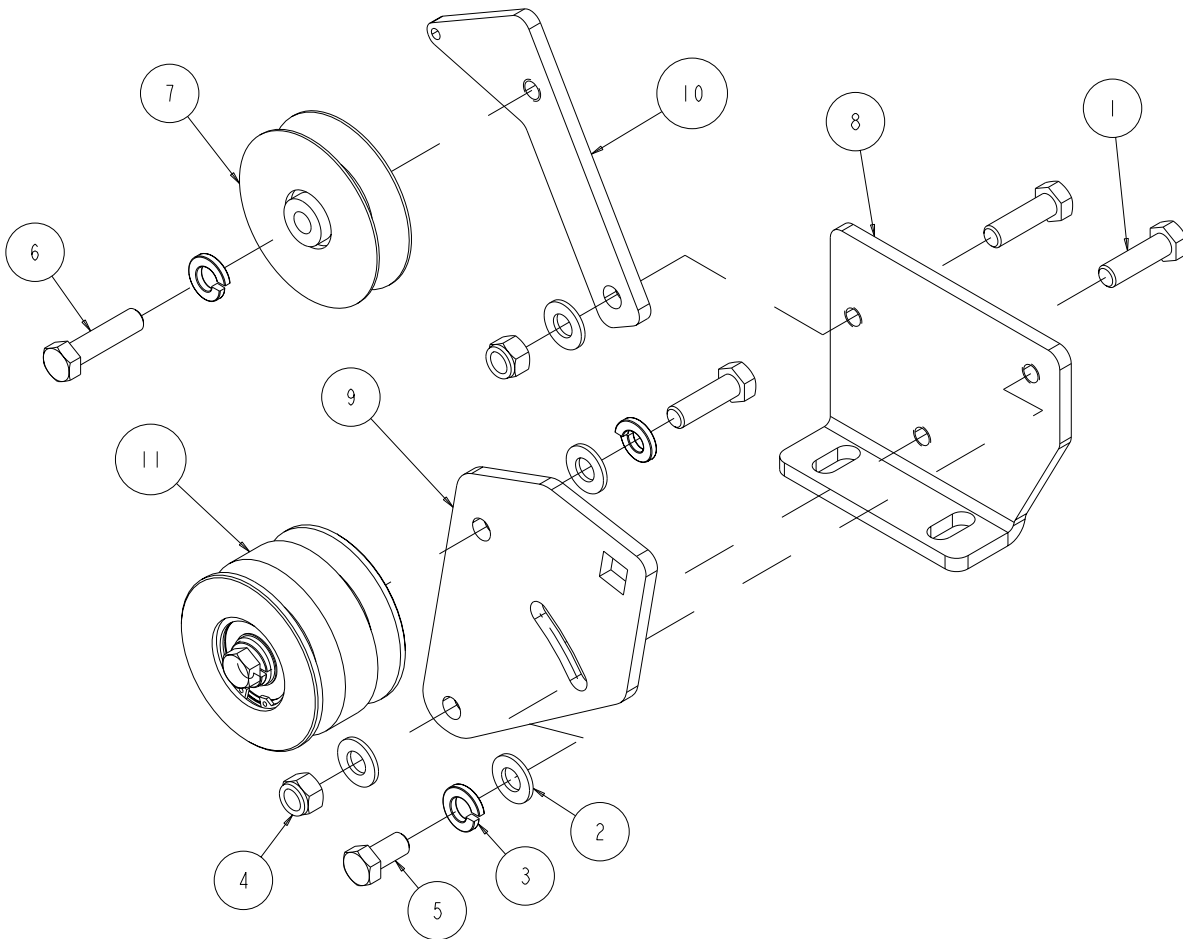
ITEM NO.	DESCRIPTION	PART OR IDENTIFYING NO.	QTY. REQ.
1	NUT, 3/8 - 16 HEX	101188	4
2	WASHER, FLAT, SAE, 3/8	150925	8
3	WASHER, LOCK, SPLIT, 3/8	150925	4
4	WASHER, FENDER, 5/16 X 1.0	151053	8
5	CLAMP, 1/2 CUSHION LOOP	152471	1
6	SCREW, 1/4 - 20 X 1/2 TRUSS HEAD	153880	1
7	NUT, HEX, TW, 1/4 - 20	153941	1
8	NUT, HEX, TW, 5/16 - 18	153942	4
9	SCREW, HEX HEAD 3/8 - 16 X 1-1/2 LG.	156656	4
10	MOUNT, 1" SHOCK	167265	2
11	BRACKET, CAT SUPPORT	168917	1
12	BRACKET, CAT BASE	168918	1
13	PIPE, 2" EXHAUST, MAIN, HY	168919	1
14	PIPE, 2" EXHAUST TAIL, HY	168920	1

FIGURE 9 - PARTS LIST: ASSY, INSTRUMENT PANEL P/N 167221-NRT



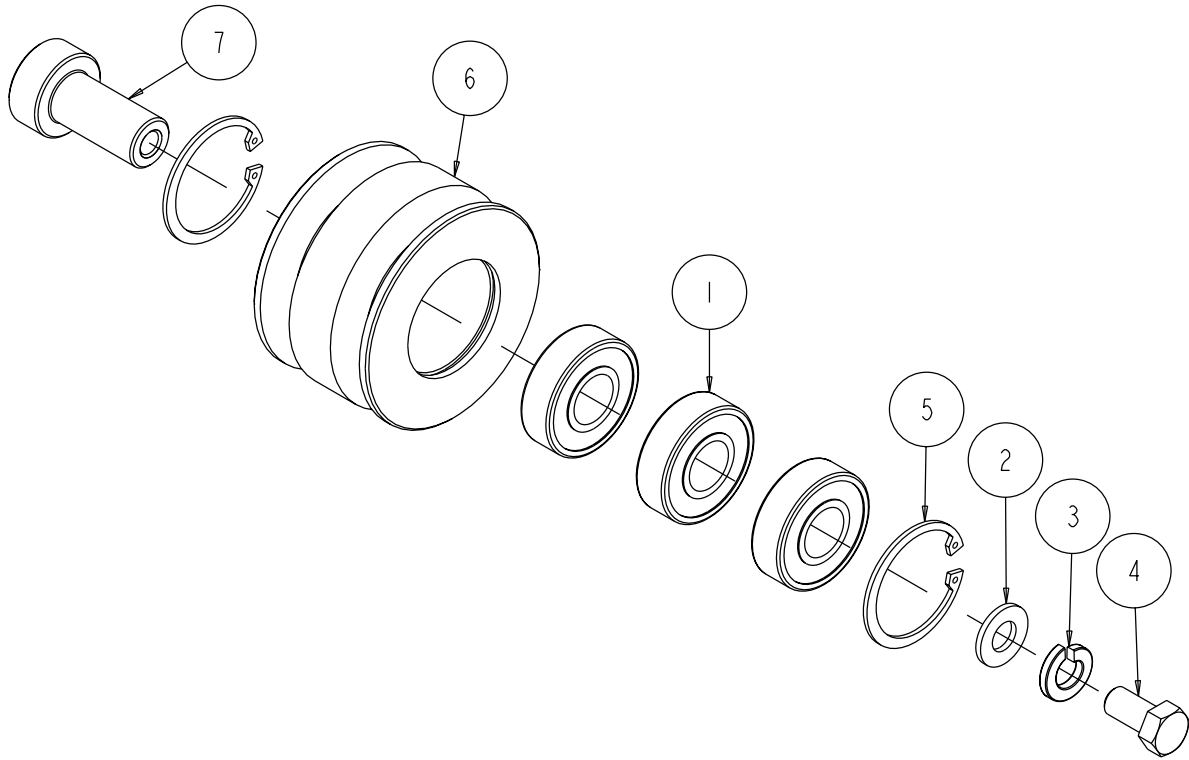
ITEM NO.	DESCRIPTION	PART OR IDENTIFYING NO.	QTY. REQ.
1	COVER, SWITCH	154301	1
2	SCREW, 1/4 - 20 X 3/4 FLAT HEAD PHILLIPS MACHINE	154657	1
3	PLUG, 1/2 FLUSH HEAD BUTTON	156779	2
4	PANEL, INSTRUMENT	160909-HY-NRT	1
5	KNOB, DEPTH INDICATOR	162629	1
6	POINTER, DEPTH INDICATOR	162630	1
7	ASSY, DEPTH INDICATOR	162881	1
8	GAUGE, FUEL, ANALOG	164151	1
9	SWITCH, KEYED, ON-OFF START	167223	1
10	SWITCH, TOGGLE, (ON) OFF (ON)	167224	1
11	LIGHT, PANEL, 1/2" DIA. AMBER	167225	1

FIGURE 10 - PARTS LIST: ASSY, TRANS IDLER P/N 167275



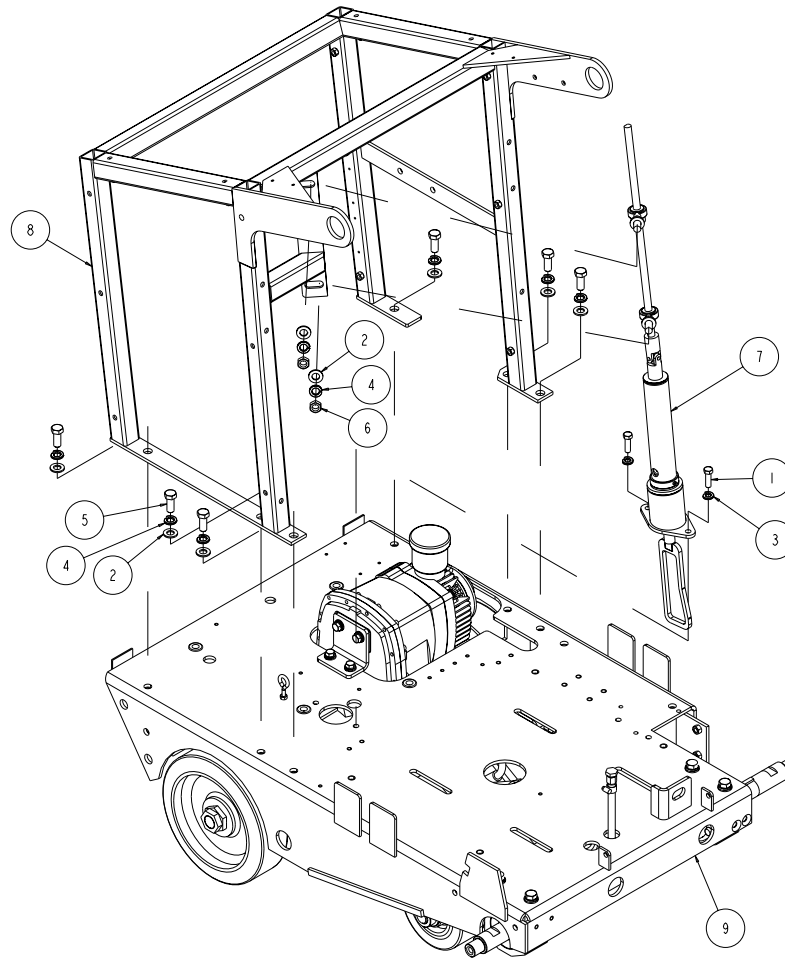
ITEM NO.	DESCRIPTION	PART OR IDENTIFYING NO.	QTY. REQ.
1	SCREW, 3/8-16 X 1-1/4 HEX HEAD CAP	150774	3
2	WASHER, 3/8 SAE FLAT	150923	4
3	WASHER, 3/8 SPLIT LOCK	150925	3
4	NUT, 3/8-16 NYLOK HEX	152505	2
5	SCREW, HEX, 3/8 - 16 X 3/4	153527	1
6	SCREW, 3/8 - 16 X 1 - 1/2 HEX HEAD	153528	1
7	PULLEY, IDLER, BV3001	153797	1
8	BRACKET, IDLER TOWER	165699	1
9	ARM, TRANS BELT TENSIONER	165700	1
10	ARM, TRANS BELT IDLER	165701	1
11	ASSY, PULLEY, TRANS BELT, HY	167276	1

FIGURE 11 - PARTS LIST: ASSY, PULLEY, TRANS BELT P/N 167276



ITEM NO.	DESCRIPTION	PART OR IDENTIFYING NO.	QTY. REQ.
1	BERAING, BALL 17X40X12MM	137711	3
2	WASHER, 3/8 SAE FLAT	150923	1
3	WASHER, 3/8 SPLIT LOCK	150925	1
4	SCREW, HEX, 3/8-16 X 3/4	153527	1
5	RING, 1-9/16 INTERNAL RETAINING	160898	2
6	PULLEY, 2A/3.0 IDLER, HY	165697-HY	1
7	AXLE, 2A/3.0 IDLER PULLEY	165698	1

FIGURE 12 - PARTS LIST: ASSY, C44/48 SUB A P/N 167197-NRT



ITEM NO.	DESCRIPTION	PART OR IDENTIFYING NO.	QTY. REQ.
1	SCREW, 3/8-16 X 1-1/4 HEX HEAD CAP	150774	2
2	WASHER, 1/2 SAE FLAT	150924	8
3	WASHER, 3/8 SPLIT LOCK	150925	2
4	WASHER, 1/2 SPLIT LOCK	153524	8
5	SCREW, 1/2-13 X 1-1/4 HEX HEAD CAP	153532	6
6	NUT, 1/2-20 HEX	162586	2
7	ASSY, DEPTH STOP	165710	1
8	TOWER WELDMENT, RADIATOR	167199	1
9	ASSY, FRAME SUB	167294	1

FIGURE 13 - PARTS LIST: ASSY, C44/48 SUB B P/N 167197-NRT

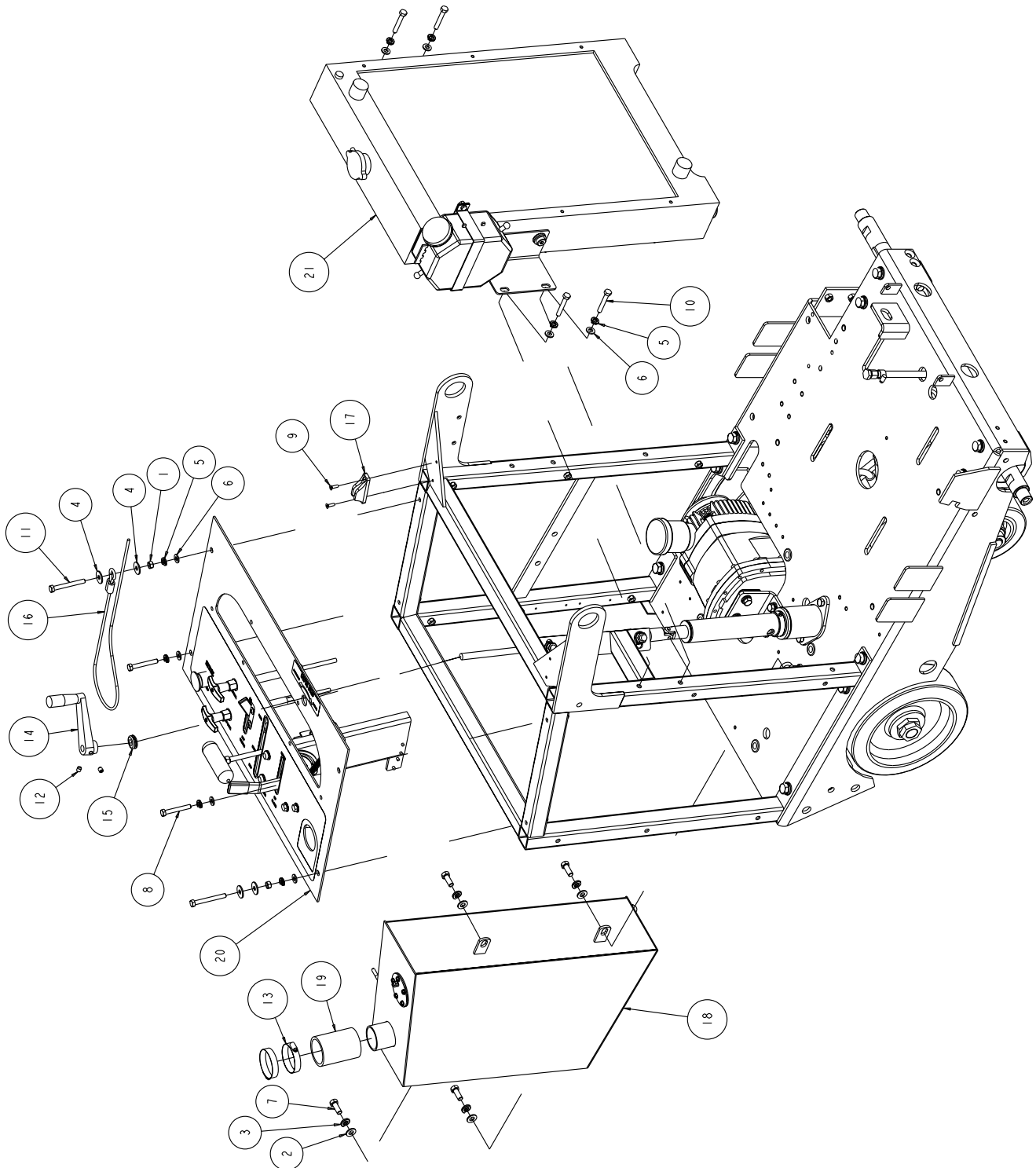


FIGURE 13 - PARTS LIST: ASSY, C44/48 SUB B P/N 167197-NRT

ITEM NO.	DESCRIPTION	PART OR IDENTIFYING NO.	QTY. REQ.
1	NUT, HEX, 5/16 - 18	101196	2
2	WASHER, 3/8 SAE FLAT	150923	4
3	WASHER, 3/8 SPLIT LOCK	150925	4
4	5/16 FENDER WASHER	151053	4
5	WASHER, LOCK, SPLIT, 5/16	151754	8
6	WASHER, FLAT, SAE, 5/16	151754	8
7	SCREW, HEX HD CAP, 3/8 - 16 X 1	152507	4
8	SCREW, HEX, 5/16 - 18 X 2-11/4	153951	2
9	SCREW, FLAT HD 10 - 24 X 5/8	155494	2
10	SCREW, 5/16 - 18 X 2 HEX HEAD	156974	4
11	BOLT, 5/16/ - 18 X 2 - 3/4 HEX HEAD TAP	156974	2
12	SCREW, 5/16 - 18 X 3/8 SOCKET HEAD SET	157083	2
13	CLAMP, 1 - 5/16 TO 2 - 1/4	162816	2
14	HANDLE, DEPTH STOP (COMP)	163987	1
15	GROMMET 1/2 X 1.0	164207	1
16	ASSY, CABLE, POINTER	165739	1
17	CLEAT, 1/8" CABLE	165740	1
18	ASSY FUEL TANK	167210	1
19	HOSE, 2.0 ID FUEL FILL (COMP)	167213	1
20	ASSY, CONTROL PANEL, LESS INST	167215-NRT	1
21	ASSY, RADIATOR	167946	1

FIGURE 14 - PARTS LIST: ASSY, C44/48 SUB C P/N 167197-NRT

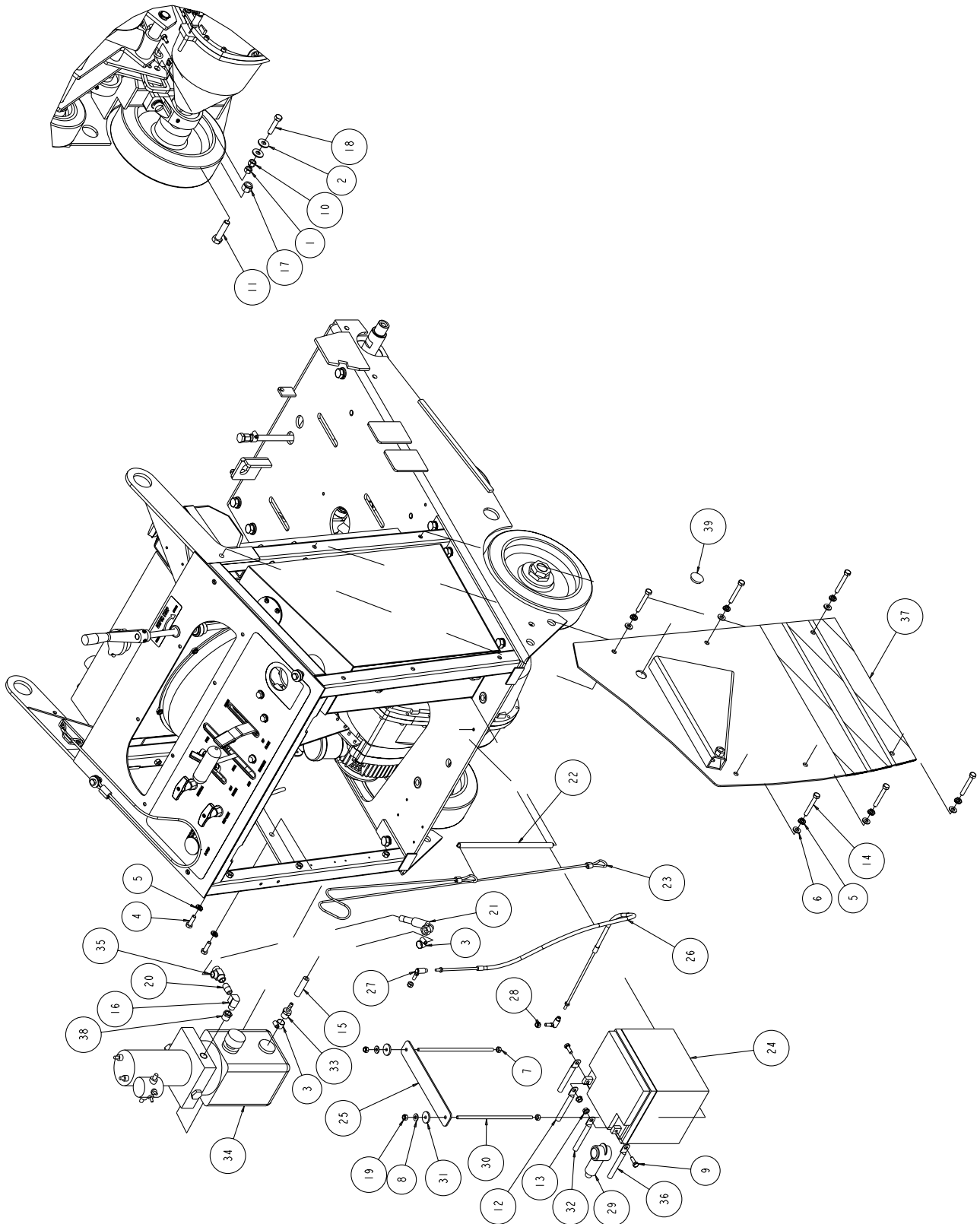


FIGURE 14 - PARTS LIST: ASSY, C44/48 SUB C P/N 167197-NRT

ITEM NO.	DESCRIPTION	PART OR IDENTIFYING NO.	QTY. REQ.
1	NUT, 3/8 - 16 HEX	101188	1
2	WASHER, FLAT, USS, 3/8	101360	2
3	CLAMP, 5/8 HOSE	15198	2
4	SCREW, HEX HD, 5/16 - 18 X 1	151743	2
5	WASHER, LOCK, SPLIT, 5/16	151747	8
6	WASHER, FLAT, SAE, 5/16	151754	6
7	NUT, HEX, 1/4 - 20	152507	4
8	WASHER, 1/4 SAE FLAT	151915	2
9	SCREW, HEX HD, 1/4 - 20 X 3/4	152370	2
10	NUT, 3/8 - 16 NYLOK HEX	152505	1
11	SCREW, HEX HD 12 - 13 X 2	153533	1
12	CABLE, 4GA X 24 BLACK BATTERY	153849	2
13	NUT, HEX W/WSHR, 1/4 - 20	153941	2
14	SCREW, HEX, 5/16 - 18 X 2-1/4	153951	2
15	HOSE, 1/4 FUEL, 36" LONG	154163	1
16	ELBOW, 1/4 MNPT STREET	154615	1
17	NUT, 1/2 - 13 NYLOK HEX	155162	1
18	SCREW, 3/8 - 16 X 1-3/4 HEX HD	158398	1
19	NUT, 1/4 -20 NYLOK	159857	1
20	NIPPLE, 1/4 NPT X CLOSE, BRASS	159905	1
21	HOSE, 1/4 NPT X 9/16 JIC 90 HYD	162600	1
22	SPRING, .48 X 10.3 X .041 EXTENSION	162627	1
23	CABLE, 52" DEPTH INDICATOR	162628	1
24	BATTERY, 12 VOLT 40 AMP-HOUR	162642	1
25	BRACKET, BATTERY HOLDDOWN	162647	1
26	CABLE, TRANS CONTROL	162858	1
27	BALL JOINT, 30 SERIES	162859	2
28	NUT, HEX, NYLOK, 1/4 - 20	162936	1
29	COVER, 1" BATTERY TERMINAL, RED	163940	1
30	STUD, 1/4 - 20 X 8	164212	2
31	WASHER, 1/4 RUBBER FENDER	164593	2
32	CABLE, 4GA X 52 RED BATTERY	166050	1
33	FITTING, 3/8 MNPT X 1/4 BARB, BRASS	167239	1
34	PUMP, HYDRAULIC	167271	1
35	FITTING, TEE, 1/4 FNPT, BRASS	167272	1
36	CABLE, 4GA X 29 RED BATTERY	167273	1
37	PANEL, TOWER R/H	167284-NRT	1
38	FITTING, 3/8 MNPT X 1/4 FNPT	167506	1
39	PLUG, HOLE PLASTIC 1.0"	167941	1

FIGURE 15 - PARTS LIST: ASSY, C44/48 SUB D P/N 167197-NRT

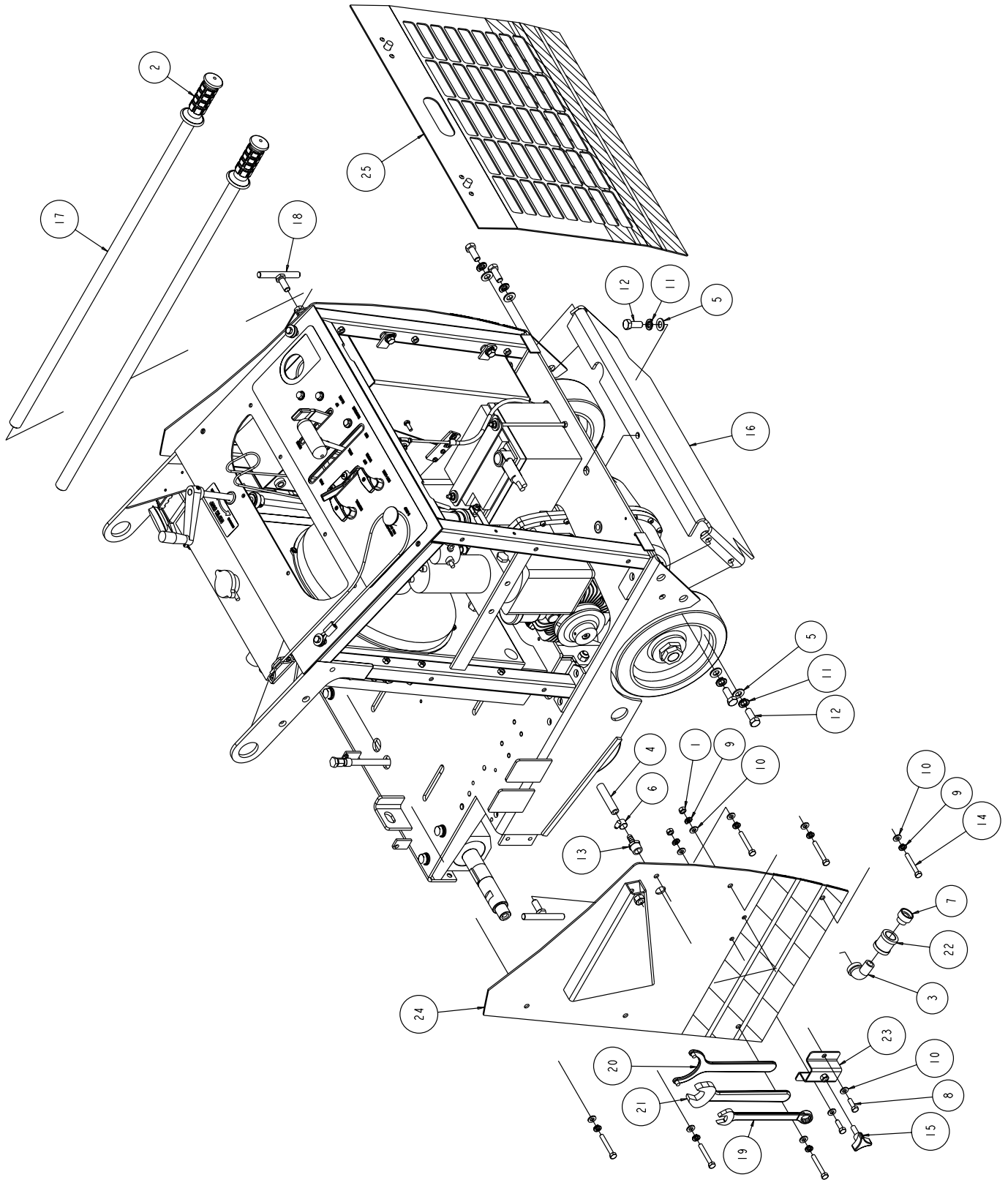


FIGURE 15 - PARTS LIST: ASSY, C44/48 SUB D P/N 167197-NRT

ITEM NO.	DESCRIPTION	PART OR IDENTIFYING NO.	QTY. REQ.
1	NUT, HEX, 5/16-18	101196	2
2	GRIP, HANDLE, 1.0 ID	150842	2
3	ELBOW, 1/2 MNPT 90 STREET, GALV	150848	1
4	HOSE, 3/8 X 5/8 VINYL, 18"	150845	1
5	WASHER, 1/2 SAE FLAT	150924	5
6	CLAMP, 5/8 HOSE	151198	1
7	FITTING, 1/2 MNPT X 3/4 FNH	151322	1
8	SCREW, HEX HD, 5/16 - 18 X 1	151743	2
9	WASHER, LOCK, SPLIT, 5/16	151747	8
10	WASHER, 5/16 SAE FLAT	151754	10
11	WASHER, 1/2 SPLIT LOCK	153524	5
12	SCREW, 1/2-13 X 1-1/4 HEX HEAD CAP	153532	5
13	FITTING, 1/2 MNPT X 3/8 BARB	153653	1
14	SCREW, HEX, 5/16-18 X 2-1/4	153951	6
15	KNOB, 3 PRONG 3/8- 16 X I	156175	1
16	PLATE, REAR FRAME	161106	1
17	HANDLEBAR	161158	2
18	KNOB, 1/2-13 T-HANDLE	162635	2
19	WRENCH, 3/4" COMBO	162654	1
20	WRENCH, 3-1/4 PIN SPANNER	162655	1
21	WRENCH, 1" OPEN END	162656	1
22	FITTING, 1/2 NPT COUPLER	164208	1
23	BRACKET, WRENCH	164739	1
24	PANEL, TOWER L/H	167285-NRT	1
25	ASSY, BACK PANEL, LATCHING	167505-NRT	1

FIGURE 16 - PARTS LIST: ASSY, C44/48 SUB E P/N 167197-NRT

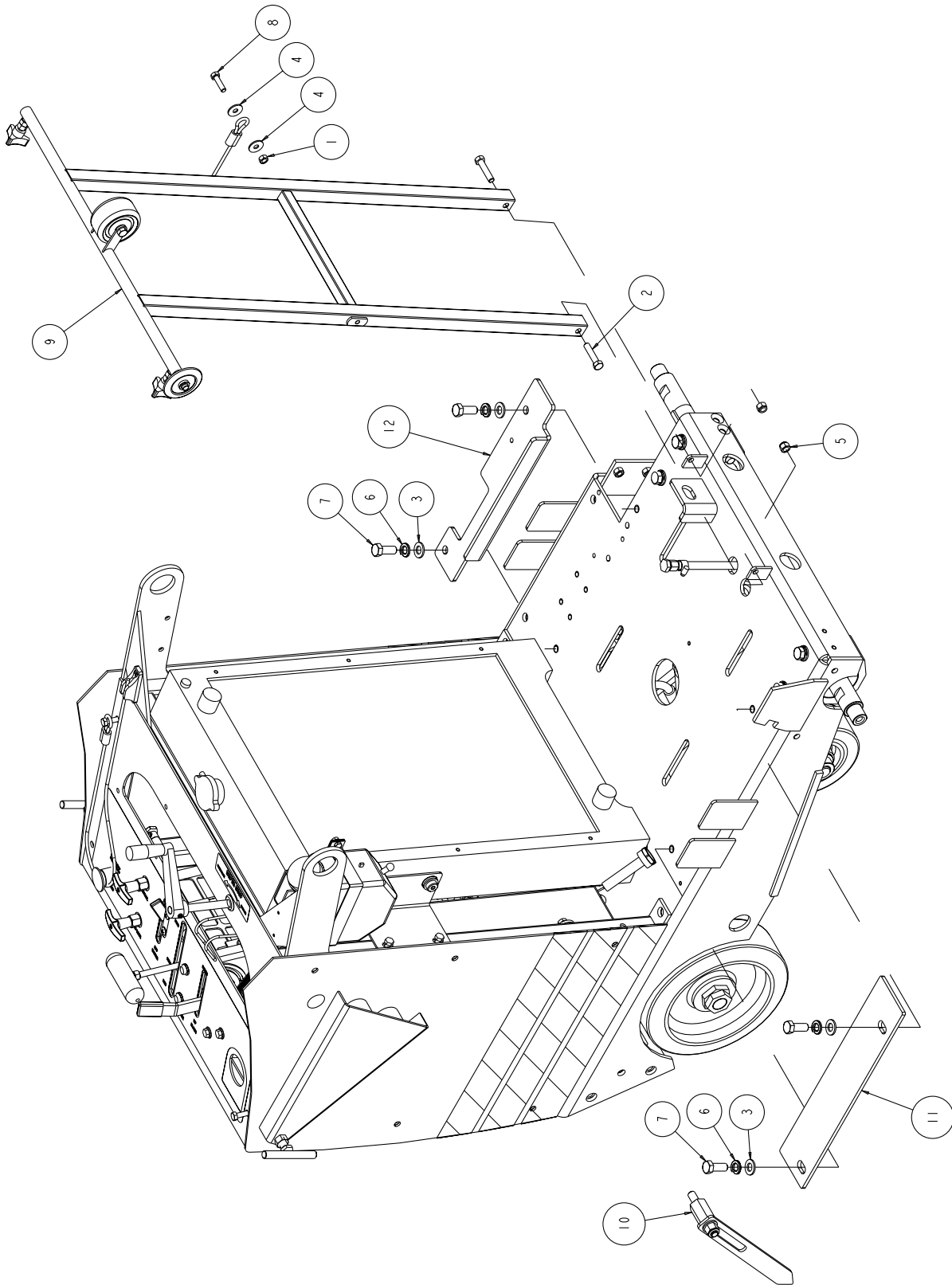
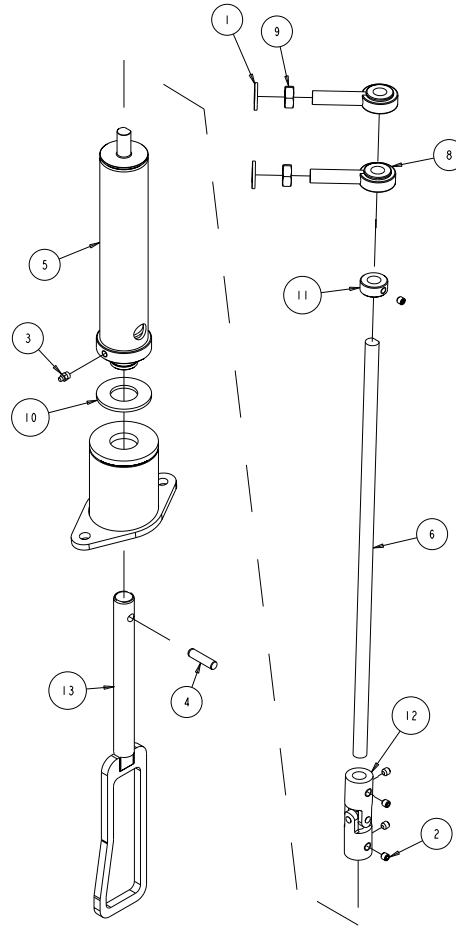


FIGURE 16 - PARTS LIST: ASSY, C44/48 SUB E P/N 167197-NRT

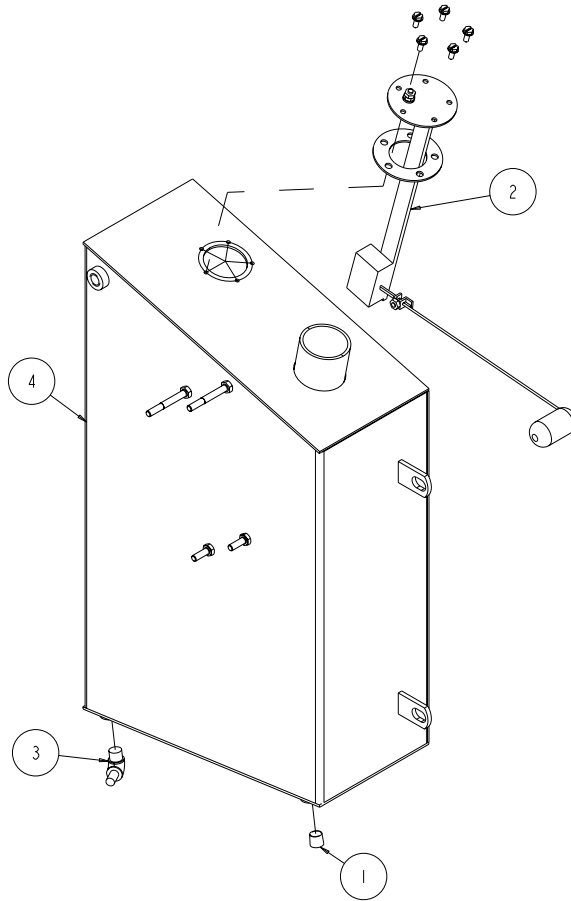
ITEM NO.	DESCRIPTION	PART OR IDENTIFYING NO.	QTY. REQ.
1	NUT, HEX, 5/16-18	101196	2
2	SCREW, 3/8 - 16 X 1/34 HEX HEAD CAP	150920	2
3	WASHER, 1/2 SAE FLAT	150924	4
4	5/16 FENDER WASHER	151053	2
5	NUT, 3/8 - 16 NYLOK HEX	152505	2
6	WASHER, 1/2 SPLIT LOCK	153524	4
7	SCREW, 1/2 - 13 X 1-1/4 HEX HEAD CAP	153532	4
8	SCREW, 5/16 - 18 X 1 -1/4 HEX HEAD MACHINE	153950	1
9	ASSY, POINTER, FRONT	160931	1
10	ASSY, REAR POINTER	163824	1
11	BRACKET, ENGINE GUIDE, RIGHT	167242	1
12	BRACKET, ENGINE GUIDE, LEFT	167243	1

FIGURE 17 - PARTS LIST: ASSY, DEPTH STOP P/N 165710



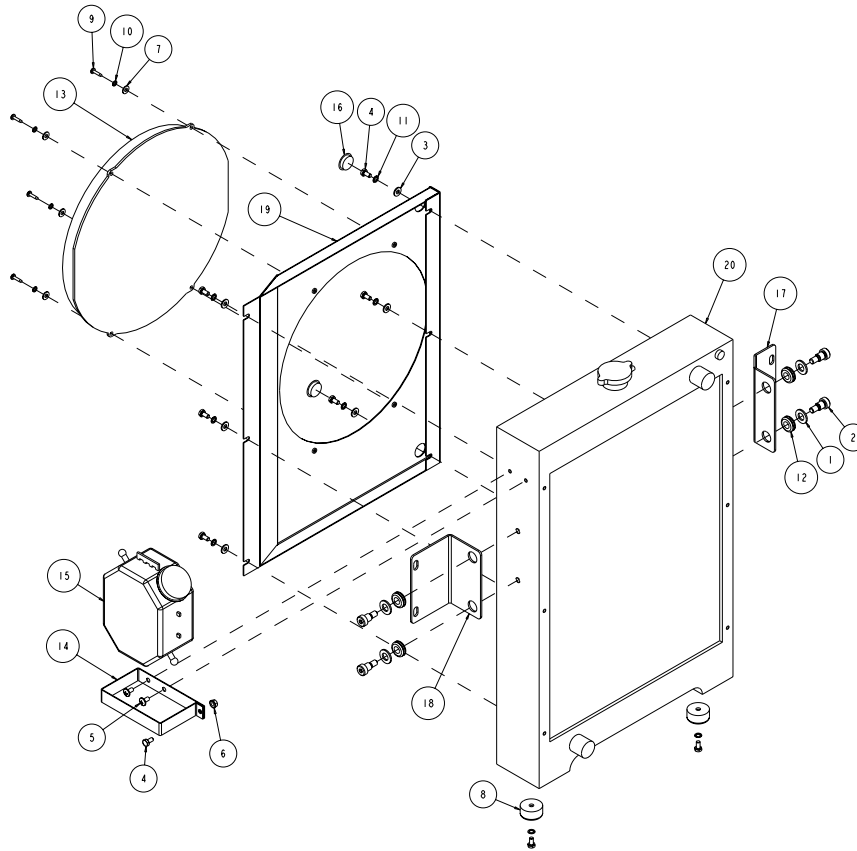
ITEM NO.	DESCRIPTION	PART OR IDENTIFYING NO.	QTY. REQ.
1	WASHER, 1/2 SAE FLAT	150924	2
2	SCREW, 5/16 - 18 X 1/2 SOCKET HEAD SET	152607	4
3	FITTING, 1/4 - 28 GREASE	153852	1
4	PIN, 5/16 X 1-1/4 GROOVE	160458	1
5	TUBE, DEPTH STOP	161138	1
6	ARM, DEPTH STOP LINKAGE	161156	1
7	CUP, DEPTH STOP	162582	1
8	ROD END, 1/2" BALL JOINT	162583	2
9	NUT, 1/2 - 20 HEX	162586	2
10	BEARING, 1 X 2 X 1/8 BRONZE THRUST	162623	1
11	COLLAR, SHAFT, 1/2	162633	1
12	U-JOINT, 1.0 OD X 0.5 ID	163988	1
13	SCREW, DEPTH STOP	165708	1

FIGURE 18 - PARTS LIST: ASSY, FUEL TANK P/N 167210



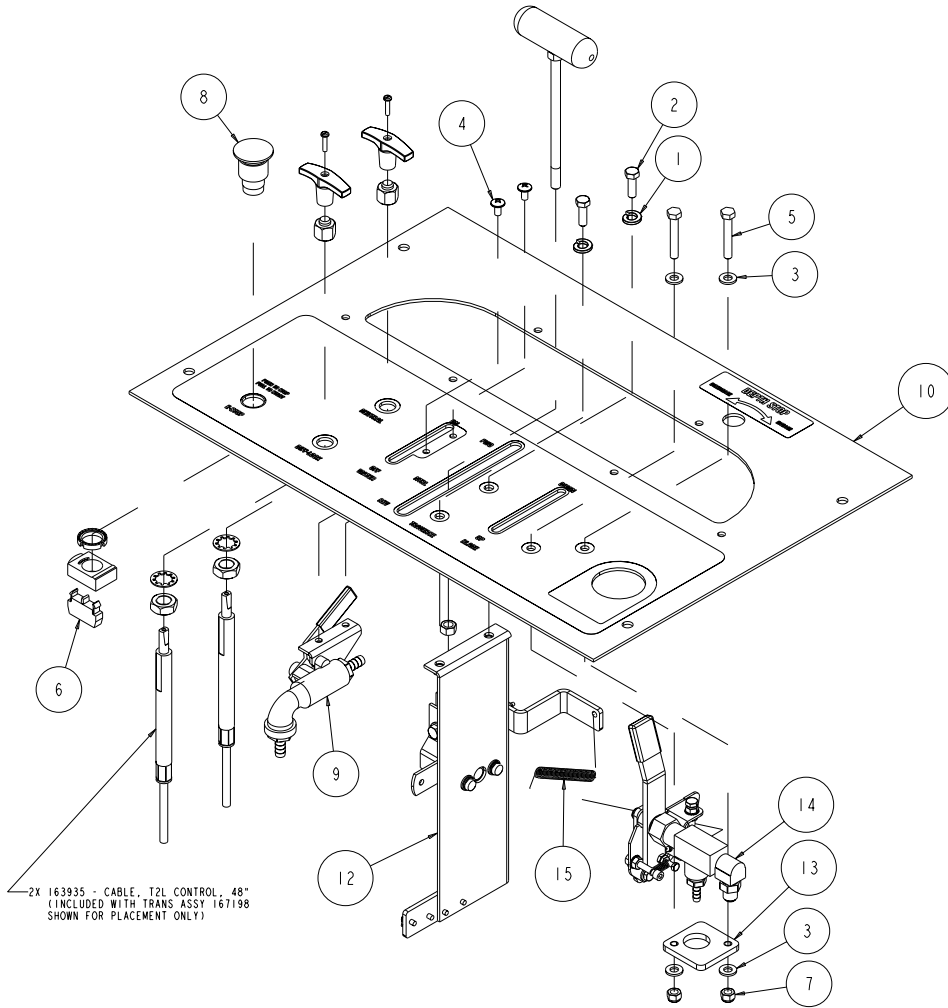
ITEM NO.	DESCRIPTION	PART OR IDENTIFYING NO.	QTY. REQ.
1	PLUG, 1/4NPT HEX SOCKET	154679	1
2	SENDER, FUEL	162636	1
3	ELBOW, 1/4MNPT X 5/16BARB, BRASS	164278	1
4	TANK, FUEL	167211	1

FIGURE 19 - PARTS LIST: ASSY, RADIATOR P/N 167946



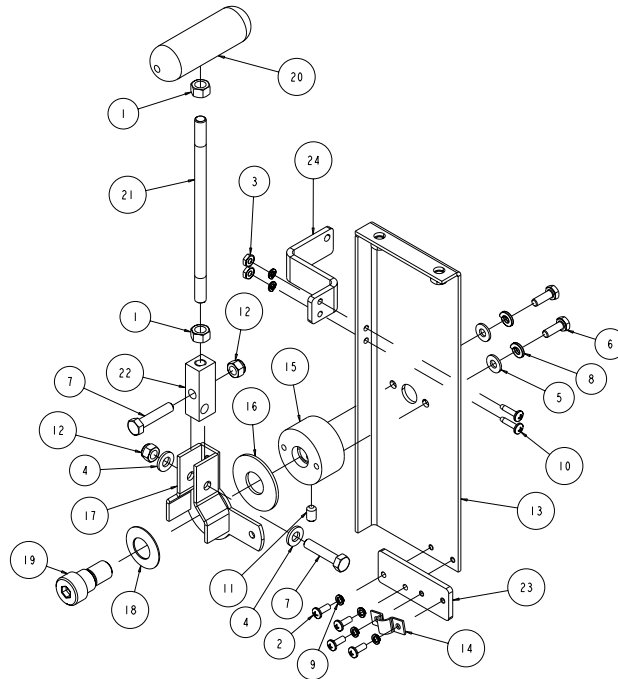
ITEM NO.	DESCRIPTION	PART OR IDENTIFYING NO.	QTY. REQ.
1	WASHER, 1/2 SAE FLAT	150924	4
2	SCREW, SHOULDER, 1/2 X 1/2	151753	4
3	WASHER, 1/4 SAE FLAT	151915	6
4	SCREW, 1/4 - 20 X 1/2 HEX HEAD	152608	9
5	SCREW, 1/4 - 20 X 1/2 TRUSS HEAD	153880	2
6	NUT, HEX W/WSHR, 1/4 - 20	153941	1
7	WASHER, #10 SAE FLAT	154369	4
8	BUMPER, 1 - 1/2 OD X 1/4 ID X 3/4	154896	2
9	SCREW, PAN HD PHIL MS 10 - 24 X 3/4	156641	4
10	WASHER #10, INTERNAL TEETH	158336	4
11	WASHER, LOCK, 14 INT TOOTH	162490	8
12	GROMMET 12/ X 1.0	164207	4
13	FAN, ELECTRIC, 12VDC	167204	1
14	BRACKET, RADIATOR BOTTLE	167208	1
15	RESERVOIR, COOLANTA	167209	1
16	OKUGM GIKE OKASTUC 1,0"	167941	2
17	BRACKET, RADIATOR LEFT	167942	1
18	BRACKET, RADIATOR RIGHT	167943	1
19	HOUSING, RADIATOR FAN	167948	1
20	RADIATOR, 18.25 X 27,5	167945	1

FIGURE 20 - PARTS LIST: ASSY, CONTROL PANEL, LESS INST P/N 167215-NRT



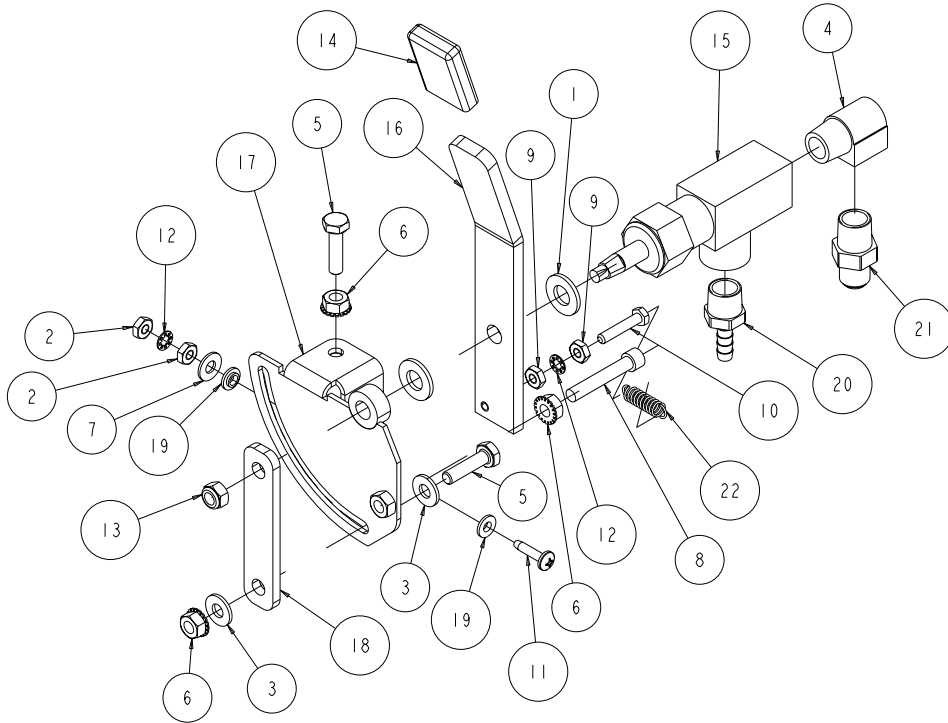
ITEM NO.	DESCRIPTION	PART OR IDENTIFYING NO.	QTY. REQ.
1	WASHER, 3/8 SPLIT LOCK	2	150925
2	SCREW, 5/16-18 X 1 HEX HEAD MACHINE	2	151743
3	WASHER, 5/16 SAE FLAT	4	151748
4	SCREW, 1/4-20 X 1/2 TRUSS HEAD	2	153880
5	SCREW, 5/16-18 X 2 HEX HEAD	2	155494
6	CONTACTS, NC	1	156204
7	NUT, 5/16-18 NYLOK HEX	2	158289
8	ASSY, SWITCH BUTTON, GAS	1	162080
9	ASSY, WATER VALVE	1	164161
10	PANEL, CONTROL	1	167217-NRT
11	LABEL, SET, CONTROL PANEL	1	167218
12	ASSY, CONTROLHEAD, FNR	1	167226
13	PLATE, UP/DOWN CONTROL MOUNT	1	167232
14	ASSY, UP/DOWN CONTROL	1	167233
15	SPRING, EXT, 7/160D X .048WD X 3.0L	1	167270

FIGURE 21 - PARTS LIST: ASSY, CONTROLHEAD, FNT SUB P/N 167226



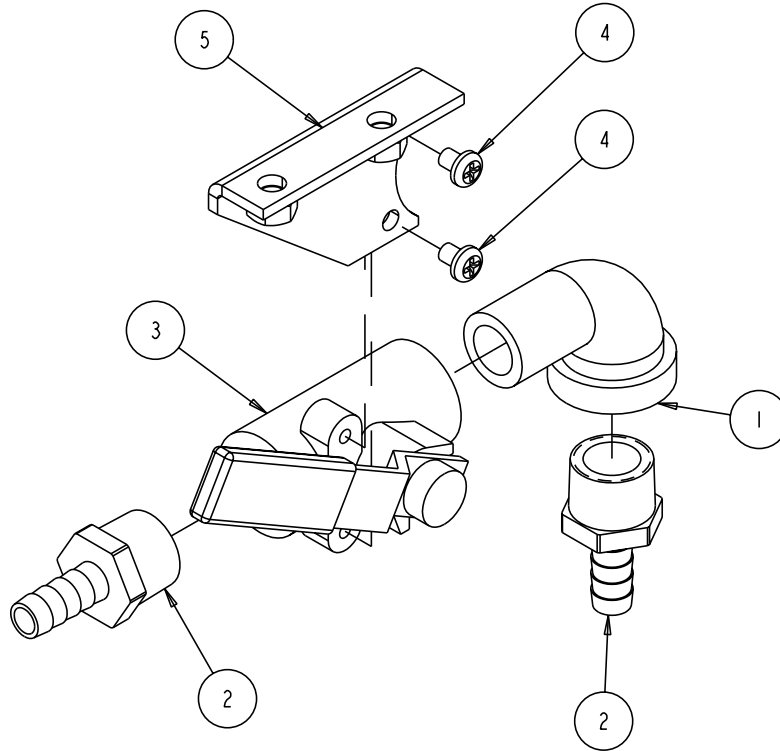
ITEM NO.	DESCRIPTION	PART OR IDENTIFYING NO.	QTY. REQ.
1	NUT, 3/8-16 HEX	2	101188
2	SCREW, 10-24 X 1/2 PAN HEAD PHILLIPS MACHINE	4	151748
3	NUT, 10-24 HEX	2	151749
4	WASHER, 5/16 SAE FLAT	2	151754
5	WASHER, 1/4 SAE FLAT	2	151915
6	SCREW, 1/4-20 X 3/4 HEX HEAD MACHINE	2	152370
7	SCREW, 5/16-18 X 1-1/2 HEX HEAD MACHINE	2	152467
8	WASHER, 1/4 SPLIT LOCK	2	152591
9	WASHER, #10 SPLIT LOCK	6	153684
10	SCREW, PAN HD PHIL MS 10-24X3/4	2	156641
11	SCREW, 5/16 - 18 X 3/8 SOCKET HEAD SET	1	157084
12	NUT, 5/16-18 NYLOK HEX	2	158289
13	BRACKET, FNR CONTROL	1	162634
14	CLAMP, 30 SERIES CONDUIT	1	162860
15	JOURNAL, FNR CONTROL	1	162889
16	WASHER, 2.0 X .812 X .088 NYLON	1	162890
17	BRACKET, FNR PIVOT	1	162891
18	SPRING, 1.50 X .755 X .045, DISK	1	162892
19	SCREW, 3/4 X 1/2 SOCKET HEAD SHOULDER	1	162893
20	HANDLE, FNR GRIP	1	167227
21	BAR, FNR HANDLE	1	167228
22	BLOCK, FNR HANDLE	1	167229
23	PLATE, FNR CABLE	1	167230
24	BRACKET, FNR SPRING	1	167231

FIGURE 22 - PARTS LIST: ASSY, UP/DOWN CONTROL P/N 167233



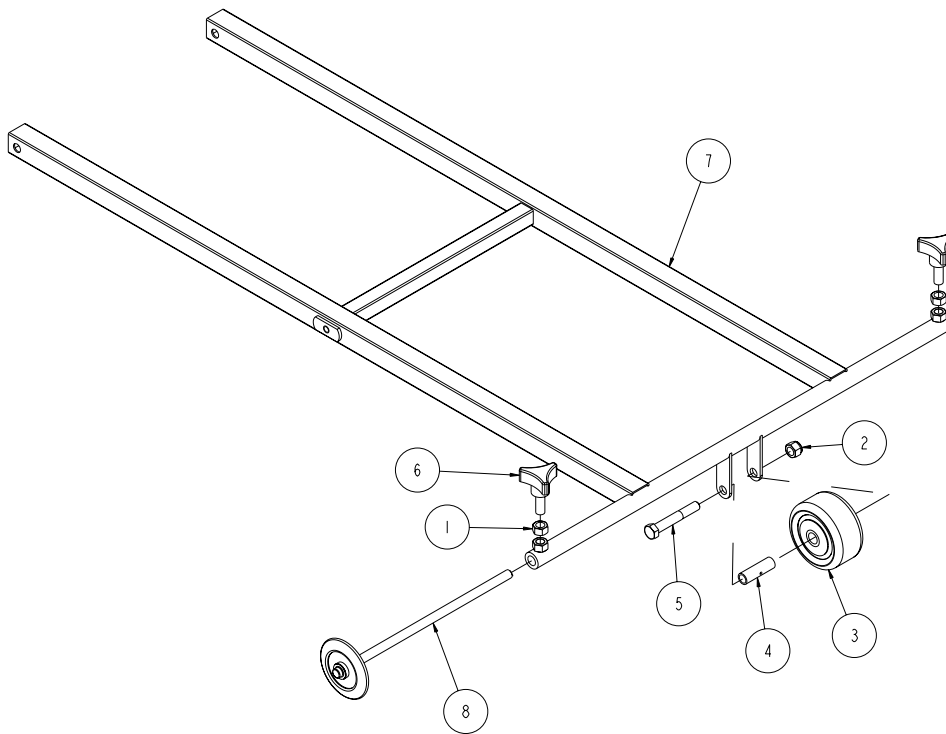
ITEM NO.	DESCRIPTION	PART OR IDENTIFYING NO.	QTY. REQ.
1	WASHER, 3/8 SAE FLAT	150923	2
2	NUT, 10-24 HEX	151749	2
3	WASHER, 1/4 SAE FLAT	151915	2
4	ELBOW, 3/8 NPT STREET	152074	1
5	SCREW, HEX HD CAP, 1/4-20 X 1	152676	2
6	NUT, HEX W/WSHR, 1/4-20	153941	3
7	WASHER, #10 SAE FLAT	154369	1
8	SCREW , SOC HD CAP, 1/4- 20 X 1	154683	1
9	NUT, HEX 10-32	156269	2
10	SCREW, 10-32 X 1 HEX HEAD CAP	156270	1
11	SCREW, PAN HD PHIL MS 10-24X3/4	156641	1
12	WASHER #10, INTERNAL TEETH	158336	2
13	NUT, HEX, NYLK, 1/4-28	163936	1
14	CAP, PUSH-ON, VINYL, 1 X 1/4	167216	1
15	VALVE, 3/8 ANGLE NEEDLE	167234	1
16	HANDLE, UP/DOWN CONTROL	167235	1
17	PLATE, UP/DOWN ADJ	167236	1
18	ARM, DEPTH CONTROL ADJ	167237	1
19	WASHER, 5/16 FLANGED PLASTIC	167238	2
20	FITTING, 3/8 MNPT X 1/4 BARB, BRASS	167239	1
21	FITTING, 3/8 NPT X 3/8 JIC	167240	1
22	SPRING, EXT, .300D X .037WD X 3/4L	167241	1

FIGURE 23 - PARTS LIST: ASSY, WATER VALVE P/N 164161



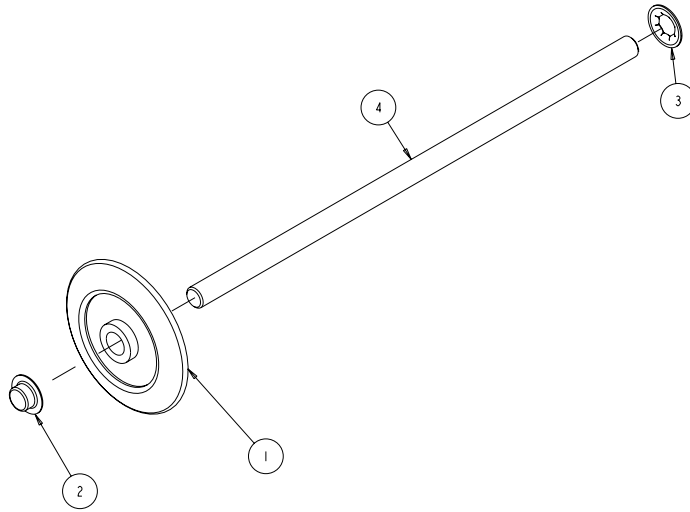
ITEM NO.	DESCRIPTION	PART OR IDENTIFYING NO.	QTY. REQ.
1	ELBOW, 1/2 MNPT 90 STREET, GALV	1	150848
2	FITTING, 1/2 MNPT X 3/8 BARB	2	153653
3	VALVE, BALL 1/2"	1	153796
4	SCREW, PAN HD PHIL 10-24 X 5/16	2	159494
5	BRACKET, WATER VALVE	1	162650

FIGURE 24 - PARTS LIST: ASSY, POINTER, FRONT P/N 160931



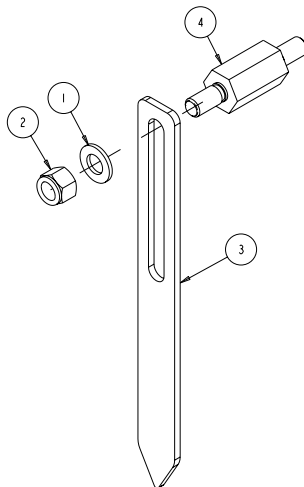
ITEM NO.	DESCRIPTION	PART OR IDENTIFYING NO.	QTY. REQ.
1	NUT, 3/8-16 HEX	2	101188
2	NUT, 3/8-16 NYLOK HEX	1	152505
3	WHEEL, POINTER, 3"	1	155066
4	BUSHING, 3/8 ID X 1-5/8L	1	155153
5	SCREW, 3/8-16 X 2-1/2 HEX HEAD CAP	1	156030
6	KNOB, 3 PRONG 3/8-16 X 1	2	156175
7	POINTER ARM, FRONT	1	160938
8	ASSY, POINTER WHEEL	1	165238

FIGURE 24 - PARTS LIST: ASSY, POINTER, WHEEL P/N 165238



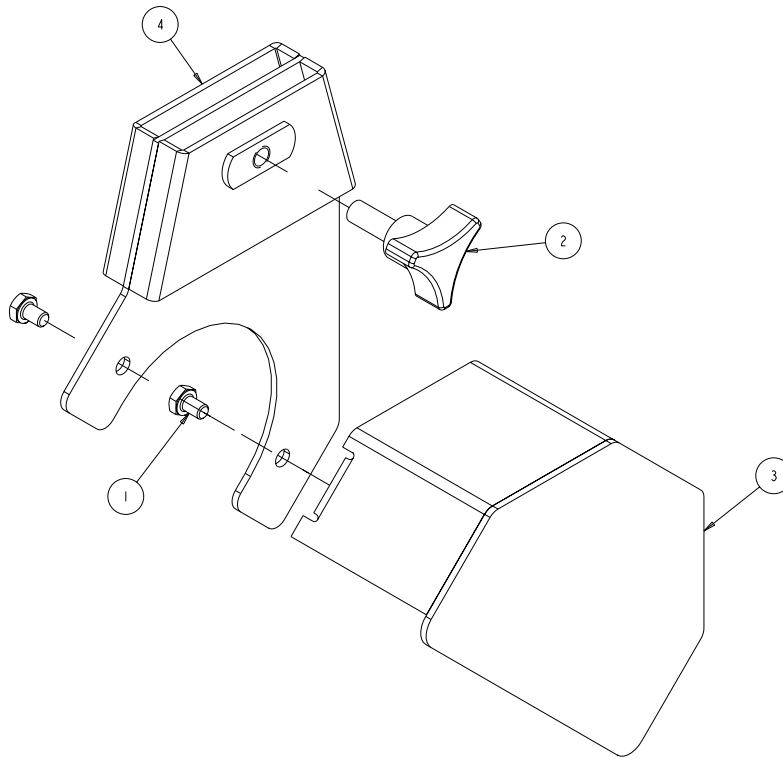
ITEM NO.	DESCRIPTION	PART OR IDENTIFYING NO.	QTY. REQ.
1	WHEEL, POINTER, 2.75 X .5 X .40	165234	1
2	RETAINER, PUSSH, 3/8 CAP	166259	1
3	RETAINER, PUSH, 3/8 THRU	166260	1
4	AXLE, POINTER	166261	1

FIGURE 25 - PARTS LIST: ASSY, REAR POINTER P/N 163824



ITEM NO.	DESCRIPTION	PART OR IDENTIFYING NO.	QTY. REQ.
1	WASHER, 1/2 SAE FLAT	150924	1
2	NUT, 1/2 - 13 NYLOK HEX	155162	1
3	ARM, REAR POINTER	160951	1
4	STANDOFF, REAR POINTER	163825	1

FIGURE 27 - PARTS LIST: ASSY, SHAFT GUARD P/N 166056



ITEM NO.	DESCRIPTION	PART OR IDENTIFYING NO.	QTY. REQ.
1	SCREW, HEX HD 1/4 - 20 X 3/8	153526	2
2	KNOB, 3 PRONG 3/8 - 16 X 1	156175	1
3	GUARD, SHAFT	161106	1
4	BACK PLATE, SHAFT GUARD	166057	1

FIGURE 28 - PARTS LIST: ASSY, FRAME SUB P/N 167294

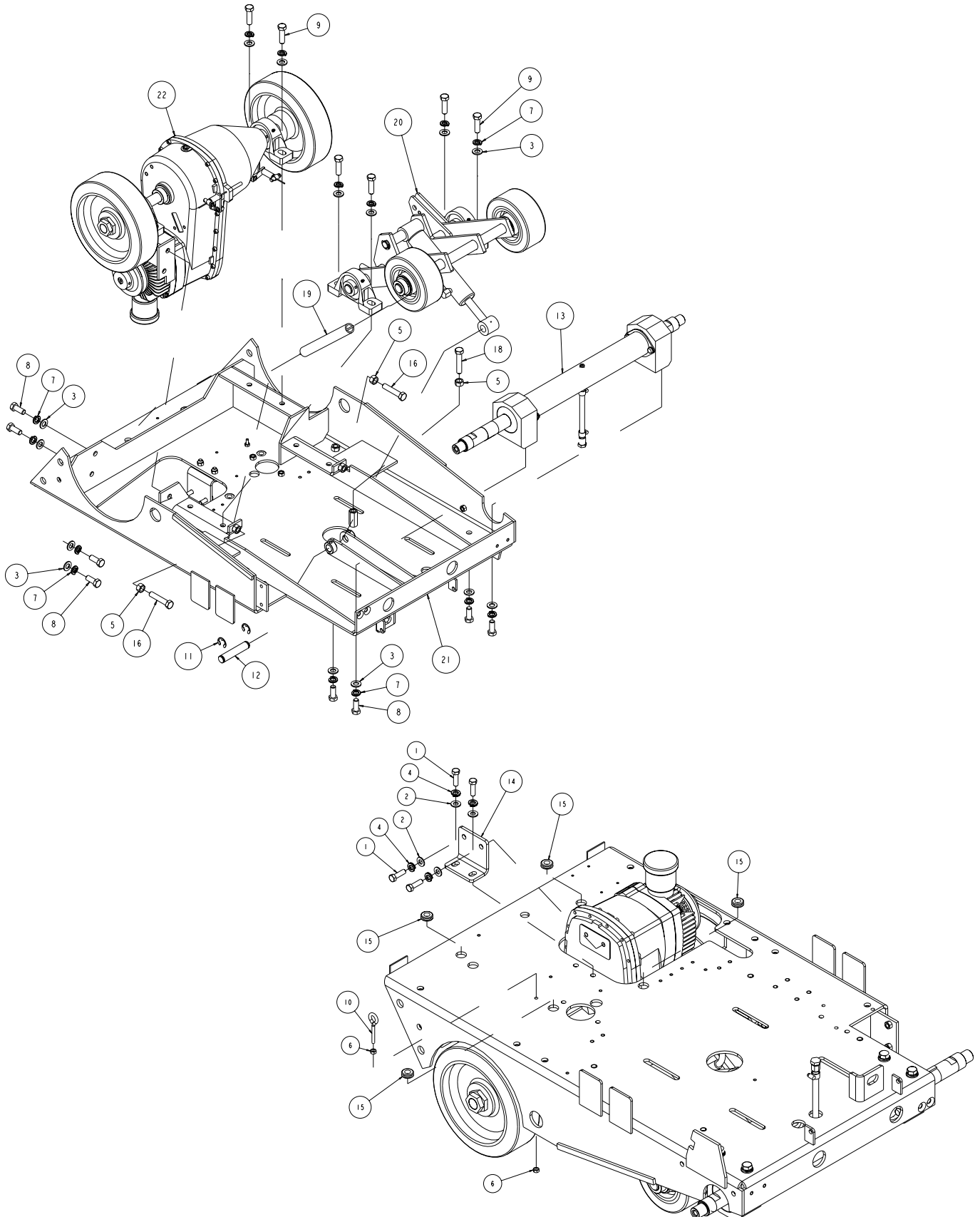
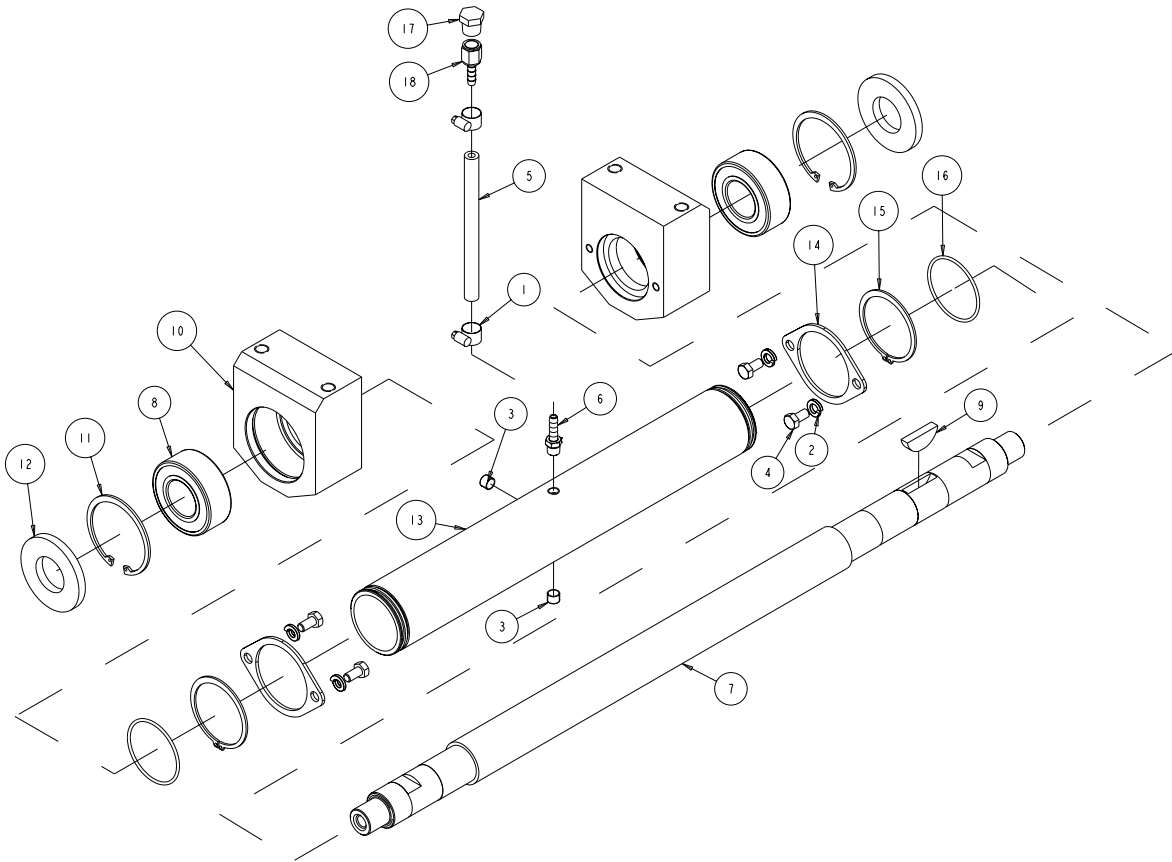


FIGURE 28 - PARTS LIST: ASSY, FRAME SUB P/N 167294

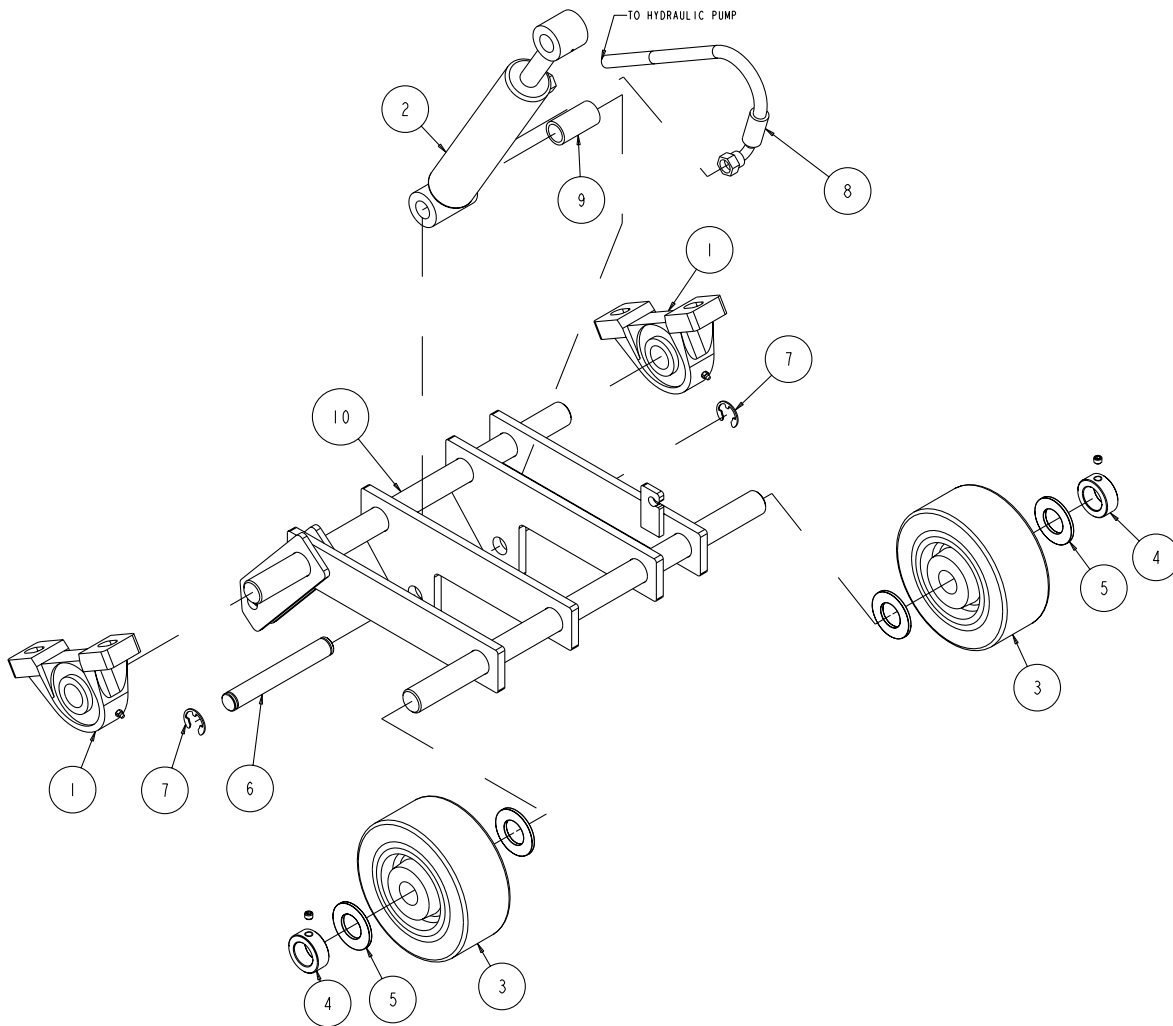
ITEM NO.	DESCRIPTION	PART OR IDENTIFYING NO.	QTY. REQ.
1	SCREW, 3/8-16 X 1-1/4 HEX HEAD CAP	150774	4
2	WASHER, 3/8 SAE FLAT	150923	4
3	WASHER, 1/2 SAE FLAT	150924	14
4	WASHER, 3/8 SPLIT LOCK	150925	4
5	NUT, 1/2-13 HEX	151282	3
6	NUT, 1/4-20 HEX	151893	2
7	WASHER, 1/2 SPLIT LOCK	153524	14
8	SCREW, 1/2-13 X 1-1/4 HEX HEAD CAP	153532	8
9	SCREW, 1/2-13 X 1-3/4 HEX HEAD CAP	153853	6
10	EYEBOLT, 1/4-20 X 2	153887	1
11	RING, .75 E-STYLE RETAINING	161163	2
12	PIN, \varnothing 3/4 X 3-1/2 CLEVIS	161164	1
13	ASSY, BLADE SHAFT	161210	1
14	BRACKET, TRANSMISSION	161240	1
15	GROMMET, 1/2 X 1.0	162493	4
16	BOLT, 1/2-13 X 2.0 HEX HEAD TAP	162598	2
17	GREASE, MOBIL XHP222, 2 OZ	162604	1
18	BOLT, 1/2- 13 X 2- 1/2 HEX HEAD TAP	162605	1
19	SPRING, 1.0 X 7.0 X .135 EXTENTION	162830	1
20	ASSY, TRUCK, FRT PIVOT	165705	1
21	FRAME, WELDMENT MAIN	165706	1
22	ASSY, TRANSMISSION	167198	1

FIGURE 29 - PARTS LIST: ASSY, BLADE SHAFT P/N 161210



ITEM NO.	DESCRIPTION	PART OR IDENTIFYING NO.	QTY. REQ.
1	CLAMP, 5/8 HOSE	151198	2
2	WASHER, 5/16 SPLIT LOCK	151747	4
3	PLUG, 1/8NPT HEX SOCKET	152472	3
4	SCREW, 5/16-18 X 5/8 HEX HEAD CAP	153949	4
5	HOSE, 1/4 FUEL	154163	1
6	FITTING, 1/8 MNPT X 1/4 BARB	155809	1
7	SHAFT, 1-5/8 BLADE	160787	1
8	BEARING, 35X72X27, D-ROW BALL	160810	2
9	KEY, WOODRUFF, 5/16 X 1-1/2	160816	1
10	BLOCK, 72mm BEARING	161199	2
11	RING , 72mm INTERNAL RETAINING	161201	2
12	SEAL, 1-3/8 X 72mm OIL	161202	2
13	TUBE, BLADE SHAFT	161203	1
14	FLANGE, BLADESHAFT TUBE	161205	2
15	RING, RETAINING, 2-1/2 EXTERNAL	161206	2
16	O-RING, 3/32 X 2-1/20D	161207	2
17	PLUG, 3/8NPT BRONZE BREATHER	161209	1
18	FITTING, 1/4 FNPT X 1/4 BARB	162601	1

FIGURE 30 - PARTS LIST: ASSY, TRUCK, FRT PIVOT P/N 165705



ITEM NO.	DESCRIPTION	PART OR IDENTIFYING NO.	QTY. REQ.
1	BEARING, 1.0 ID PILLOW BLOCK	157924	2
2	CYLINDER, 4" HYDRAULIC	160846	1
3	WHEEL, 6 X 2-1/2 X 1	160848	2
4	COLLAR, 1.0 SHAFT	160849	2
5	WASHER, 1 SAE FLAT	160851	4
6	PIN, Ø3/4 X 5 CLEVIS	160961	1
7	RING, .75 E-STYLE RETAINING	161163	2
8	HOSE, 1/4NPT X 9/16JIC90 HYD	162600	1
9	SPACER, 1.0 X .75 X 1.94	164046	1
10	TRUCK, FRONT PIVOT	165704	1

FIGURE 31 - PARTS LIST: ASSY, TRANSMISSION P/N 167198

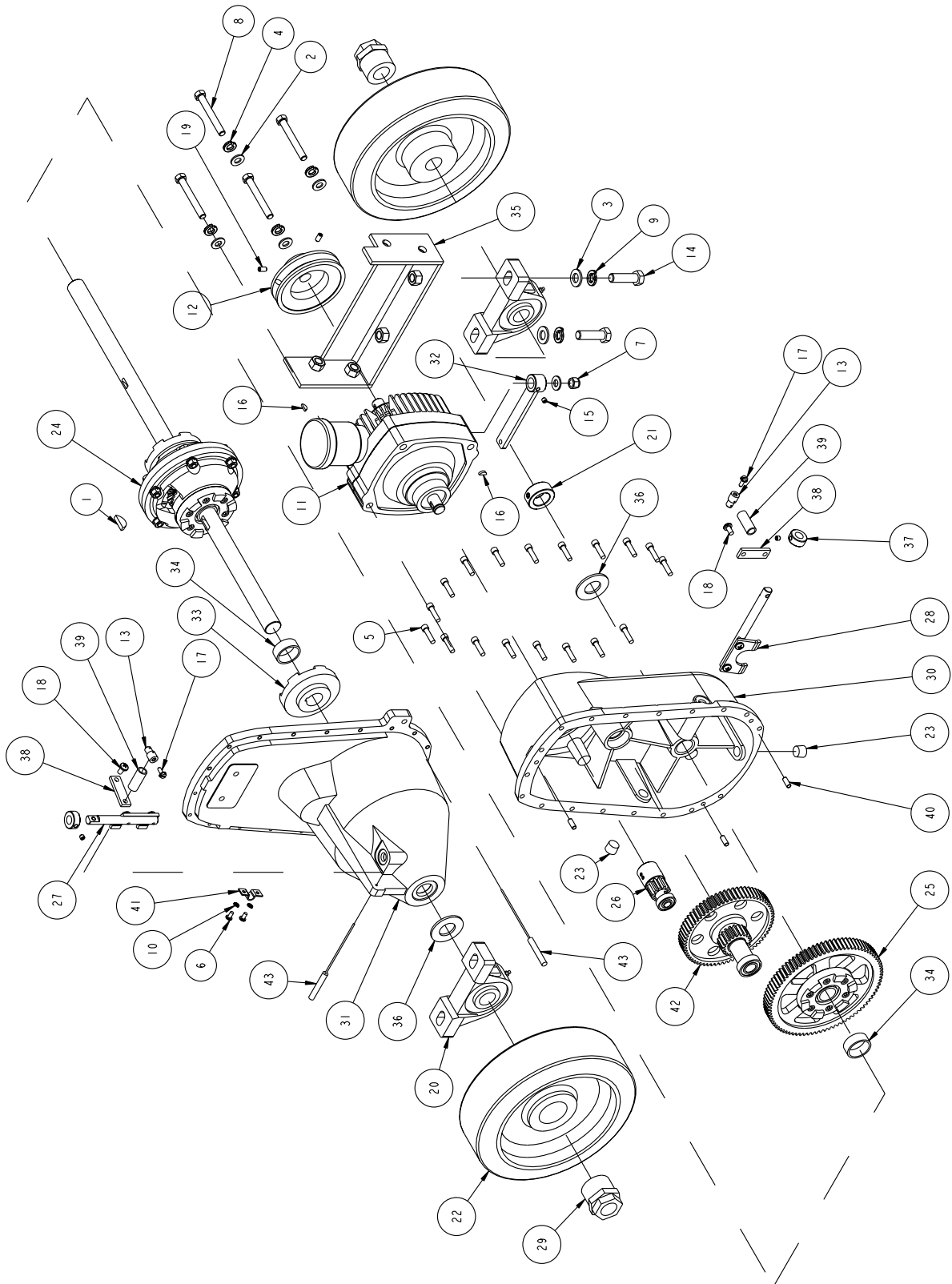


FIGURE 31 - PARTS LIST: ASSY, TRANSMISSION P/N 167198

ITEM NO.	DESCRIPTION	PART OR IDENTIFYING NO.	QTY. REQ.
1	KEY, 1/4 X 1 WOODRUFF	150795	1
2	WASHER, 3/8 SAE FLAT	150923	5
3	WASHER, 1/2 SAE FLAT	150924	2
4	WASHER, 3/8 SPLIT LOCK	150925	4
5	SCREW, SOC HD CAP, 1/4-20 X 1	151049	18
6	SCREW, 10-24 X 3/8 PAN HEAD PHILLIPS MACHINE	151097	2
7	NUT, 3/8-16 NYLOK HEX	152505	1
8	SCREW, 3/8-16 X 3 HEX HEAD CAP	153113	4
9	WASHER, 1/2 SPLIT LOCK	153524	2
10	WASHER, #10 SPLIT LOCK	153684	2
11	PUMP, TRANSMISSION	153783	1
12	PULLEY, A4.0 X 17mm BORE OFFSET	153826	1
13	PIN, WIRE STOP	153842	2
14	SCREW, 1/2-13 X 1-3/4 HEX HEAD CAP	153853	2
15	SCREW, SET CNE PT 1/4 -20 X 1/4	153864	1
16	KEY, WOODRUFF, 1/8 X 1/2	153865	2
17	SCREW, HEX HD FL 10-24X 5/16	154172	2
18	SCREW, 1/4-20 X 1/2 PAN HEAD PHILLIPS MACHINE	155452	2
19	SCREW, 1/4-20 X 1/2 SOCKET HEAD SET	155804	2
20	BEARING, 1.0 ID PILLOW BLOCK	157924	2
21	COLLAR, 1.0 SHAFT	160849	1
22	WHEEL, 10 X 3 REAR	160960	2
23	PLUG, 3/8 NPT HEX SOCKET, GALV	161208	2
24	ASSY, DIFFERENTIAL	161232	1
25	ASSY, ENGAGEMENT GEAR	161233	1
26	ASSY, PUMP PINION	161235	1
27	ASSY, TRANS FORK 2	161236	1
28	ASSY, TRANS FORK I	161237	1
29	BUSHING, 1" KEYLESS HUB	161248	2
30	ASSY, TRANS CASE I	161248	1
31	ASSY, TRANS CASE 2	161250	1
32	LEVER, TRANS CONTROL	161263	1
33	PLATE, LOCKER, KEYED	161264	1
34	SPRING, I .50D X 1.3 COMPRESSION	161279	2
35	BRIDGE, TRANS BEARING	161311	1
36	BEARING, I X 2 X 1/8 BRONZE THRUST	162623	2
37	COLLAR, 1/2 SHAFT	162633	2
38	LEVER, TRANS FORK	162673	2
39	SPRING, .56 OD X 1.38 COMPRESSION	162829	2
40	PIN, 1/4 X 5/8 DOWEL	162849	3
41	CLAMP, 30 SERIES CONDUIT	162860	1
42	ASSY, CHANGE GEAR	162883	1
43	CABLE, T2L CONTROL, L (COMP)	163935	2
48	OIL, 80-90 SAE GEAR	164971	1
45	SEALANT, HI-TEMP FORM-A-GASKET	164972	1

FIGURE 32 - PARTS LIST: ASSY, 20" BLADE GUARD P/N 168279-20

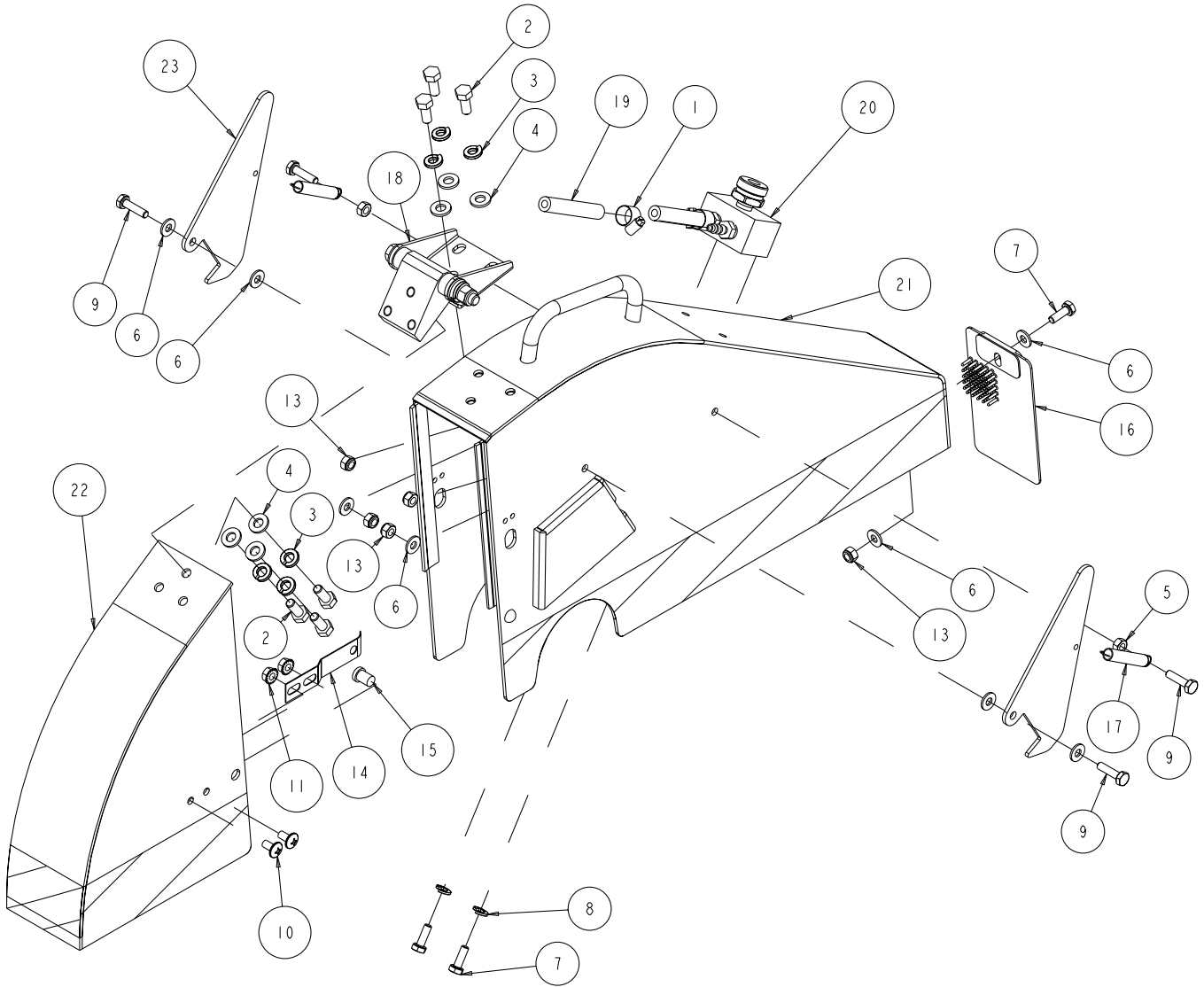


FIGURE 32 - PARTS LIST: ASSY, 20" BLADE GUARD P/N 168279-20

ITEM NO.	DESCRIPTION	PART OR IDENTIFYING NO.	QTY. REQ.
1	CLAMP, 5/8 HOSE	151198	2
2	SCREW, 5/16-18 X 3/4 HEX HEAD MACHINE	151369	6
3	WASHER, LOCK, SPLIT, 5/16	151747	6
4	WASHER, 5/16 SAE FLAT	151754	6
5	NUT, 1/4-20 HEX	151893	2
6	WASHER, 1/4 SAE FLAT	151915	8
7	SCREW, 1/4-20 X 3/4 HEX HEAD MACHINE	152370	3
8	WASHER, 1/4 SPLIT LOCK	152591	2
9	SCREW, HEX HD CAP, 1/4-20 X 1	152676	4
10	SCREW, 1/4-20 X 1/2 TRUSS HEAD	153880	2
11	NUT, HEX W/WSHR, 1/4-20	153941	2
12	TIE, NYLON CABLE, 1/8 X 4, BLACK	158528	2
13	NUT, 1/4-20 NYLOK	159857	5
14	LOCK, BLADE GUARD	159998	1
15	BUTTON, RELEASE	159999	1
16	GUARD, SPLASH	160310-NL	1
17	SPRING, EXTENSION	160875	2
18	ASSY, HINGE	163979	1
19	HOSE, VINYL, 1/4 X 1/2 (24"L)	167620	2
20	ASSY, WATER MANIFOLD, 2T	167624	1
21	GUARD, 20" FRONT BLADE	168277-20	1
22	GUARD, 20" REAR BLADE	168278-20	1
23	LATCH, 20" BLADE GUARD	168528	2

FIGURE 33 - PARTS LIST: ASSY, 26" BLADE GUARD P/N 168279-26

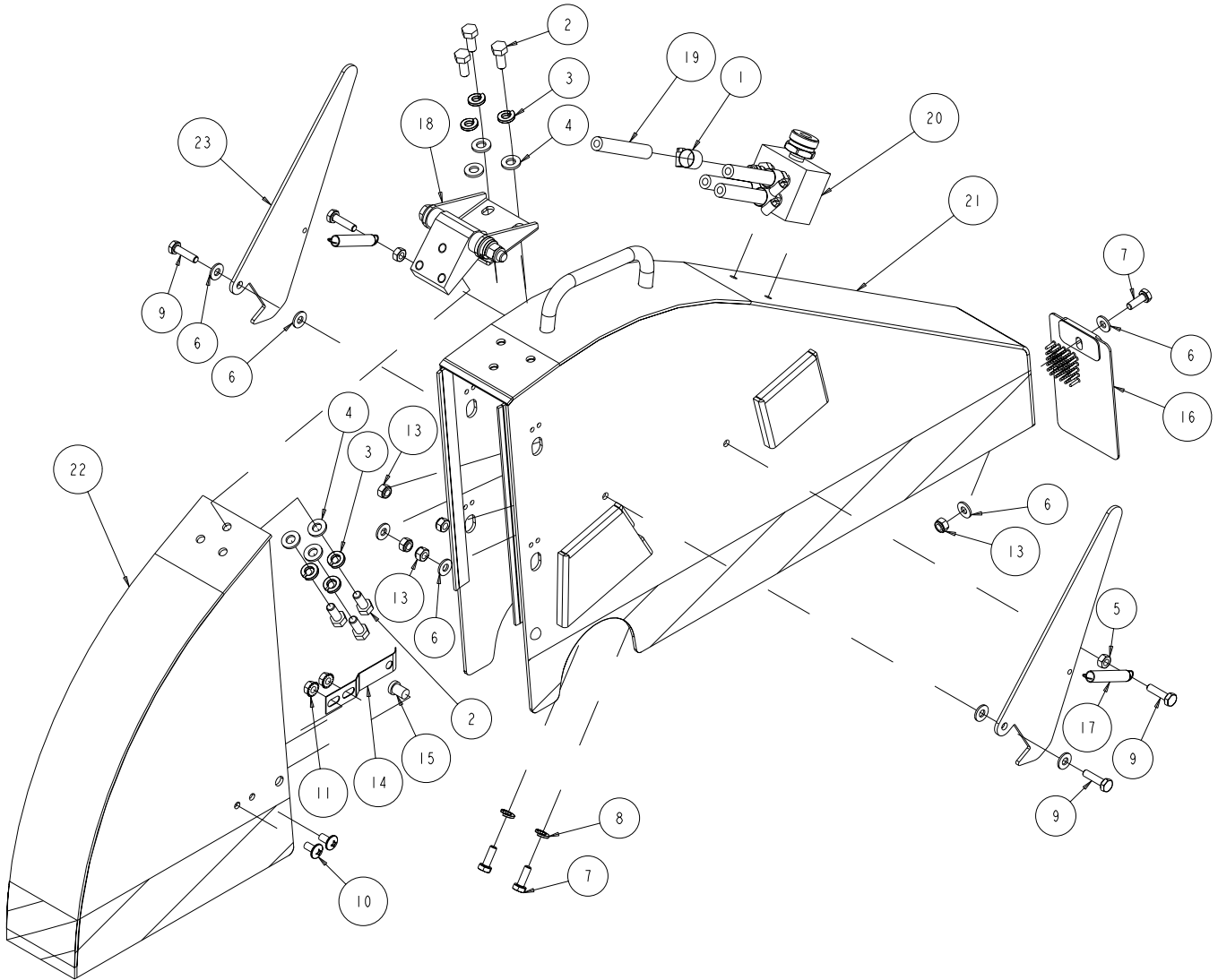


FIGURE 33 - PARTS LIST: ASSY, 26" BLADE GUARD P/N 168279-26

ITEM NO.	DESCRIPTION	PART OR IDENTIFYING NO.	QTY. REQ.
1	CLAMP, 5/8 HOSE	151198	2
2	SCREW, 5/16-18 X 3/4 HEX HEAD MACHINE	151369	6
3	WASHER, LOCK, SPLIT, 5/16	151747	6
4	WASHER, 5/16 SAE FLAT	151754	6
5	NUT, 1/4-20 HEX	151893	2
6	WASHER, 1/4 SAE FLAT	151915	8
7	SCREW, 1/4-20 X 3/4 HEX HEAD MACHINE	152370	3
8	WASHER, 1/4 SPLIT LOCK	152591	2
9	SCREW, HEX HD CAP, 1/4-20 X 1	152676	4
10	SCREW, 1/4-20 X 1/2 TRUSS HEAD	153880	2
11	NUT, HEX W/WSHR, 1/4-20	153941	2
12	TIE, NYLON CABLE, 1/8 X 4, BLACK	158528	2
13	NUT, 1/4-20 NYLOK	159857	5
14	LOCK, BLADE GUARD	159998	1
15	BUTTON, RELEASE	159999	1
16	GUARD, SPLASH	160310-NL	1
17	SPRING, EXTENSION	160875	2
18	ASSY, HINGE	163979	1
19	HOSE, VINYL, 1/4 X 1/2 (24"L)	167620	4
20	ASSY, WATER MANIFOLD, 4T	167625	1
21	GUARD, 26" FRONT BLADE	168277-26	1
22	GUARD, 26" REAR BLADE	168278-26	1
23	LATCH, 26" BLADE GUARD	168280	2

FIGURE 34 - PARTS LIST: ASSY, 30" BLADE GUARD P/N 168279-30

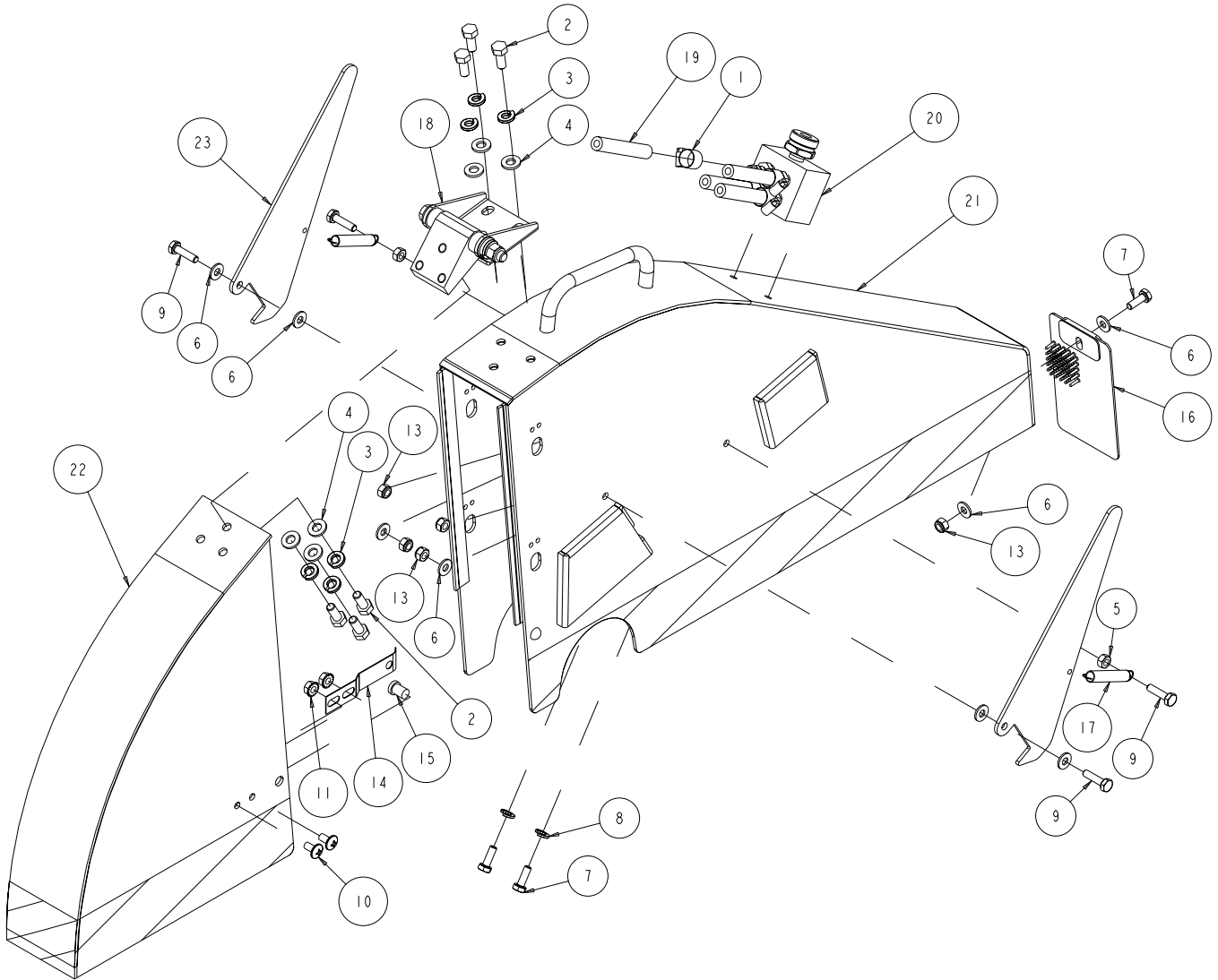


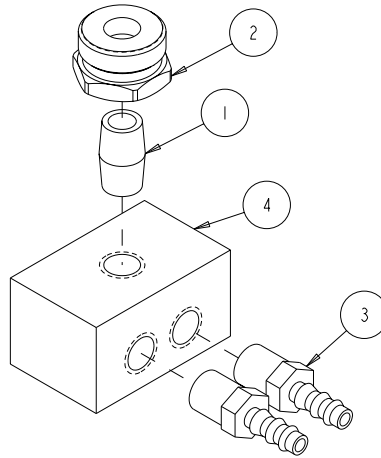
FIGURE 34 - PARTS LIST: ASSY, 30" BLADE GUARD P/N 168279-30

ITEM NO.	DESCRIPTION	PART OR IDENTIFYING NO.	QTY. REQ.
1	CLAMP, 5/8 HOSE	151198	2
2	SCREW, 5/16-18 X 3/4 HEX HEAD MACHINE	151369	6
3	WASHER, LOCK, SPLIT, 5/16	151747	6
4	WASHER, 5/16 SAE FLAT	151754	6
5	NUT, 1/4-20 HEX	151893	2
6	WASHER, 1/4 SAE FLAT	151915	8
7	SCREW, 1/4-20 X 3/4 HEX HEAD MACHINE	152370	3
8	WASHER, 1/4 SPLIT LOCK	152591	2
9	SCREW, HEX HD CAP, 1/4-20 X 1	152676	4
10	SCREW, 1/4-20 X 1/2 TRUSS HEAD	153880	2
11	NUT, HEX W/WSHR, 1/4-20	153941	2
12	TIE, NYLON CABLE, 1/8 X 4, BLACK	158528	2
13	NUT, 1/4-20 NYLOK	159857	5
14	LOCK, BLADE GUARD	159998	1
15	BUTTON, RELEASE	159999	1
16	GUARD, SPLASH	160310-NL	1
17	SPRING, EXTENSION	160875	2
18	ASSY, HINGE	163979	1
19	LATCH, 30" BLADE GUARD	165874	2
20	HOSE, VINYL, 1/4 X 1/2 (24"L)	167620	4
21	ASSY, WATER MANIFOLD, 4T	167625	1
22	GUARD, 30" FRONT BLADE	168277-30	1
23	GUARD, 30" REAR BLADE	168278-30	1

FIGURE 35 - PARTS LIST: ASSY, 36" BLADE GUARD P/N 168279-36

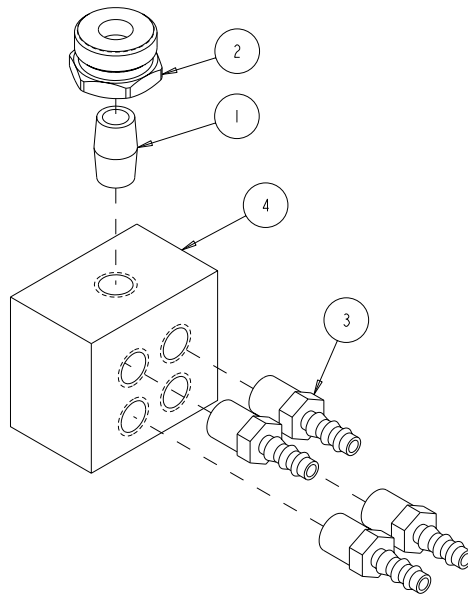
ITEM NO.	DESCRIPTION	PART OR IDENTIFYING NO.	QTY. REQ.
1	CLAMP, 5/8 HOSE	151198	2
2	SCREW, 5/16-18 X 3/4 HEX HEAD MACHINE	151369	6
3	WASHER, LOCK, SPLIT, 5/16	151747	6
4	WASHER, 5/16 SAE FLAT	151754	6
5	NUT, 1/4-20 HEX	151893	2
6	WASHER, 1/4 SAE FLAT	151915	8
7	SCREW, 1/4-20 X 3/4 HEX HEAD MACHINE	152370	3
8	WASHER, 1/4 SPLIT LOCK	152591	2
9	SCREW, HEX HD CAP, 1/4-20 X 1	152676	4
10	SCREW, 1/4-20 X 1/2 TRUSS HEAD	153880	2
11	NUT, HEX W/WSHR, 1/4-20	153941	2
12	TIE, NYLON CABLE, 1/8 X 4, BLACK	158528	2
13	NUT, 1/4-20 NYLOK	159857	5
14	LOCK, BLADE GUARD	159998	1
15	BUTTON, RELEASE	159999	1
16	GUARD, SPLASH	160310-NL	1
17	SPRING, EXTENSION	160875	2
18	ASSY, HINGE	163979	1
19	HOSE, VINYL, 1/4 X 1/2 (24"L)	167620	4
20	ASSY, WATER MANIFOLD, 4T	167625	1
21	LATCH, 36" BLADE GUARD	167658	2
22	GUARD, 36" FRONT BLADE	168277-36	1
23	GUARD, 36" REAR BLADE	168278-36	1

FIGURE 36 - PARTS LIST: ASSY, WATER MANIFOLD, 2T P/N 167624



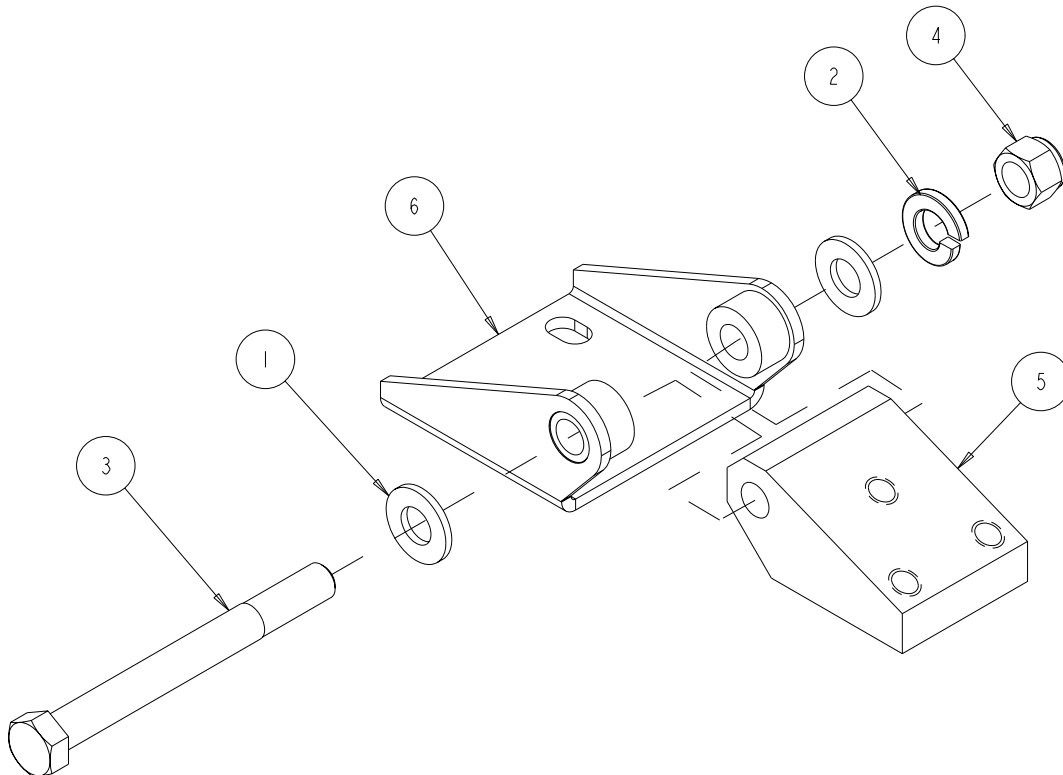
ITEM NO.	DESCRIPTION	PART OR IDENTIFYING NO.	QTY. REQ.
1	NIPPLE, 1/4 NPT X CLOSE, BRASS	159905	1
2	FITTING, 3/4 X 11.5 MNH X 1/4 FNPT	163992	1
3	FITTING, PUSH ON HOSE 1/4 X 1/4 MALE	165183	2
4	MANIFOLD, WATER, 2 TUBE	167622	1

FIGURE 37 - PARTS LIST: ASSY, WATER MANIFOLD, 4T P/N 167625



ITEM NO.	DESCRIPTION	PART OR IDENTIFYING NO.	QTY. REQ.
1	NIPPLE, 1/4 NPT X CLOSE, BRASS	159905	1
2	FITTING, 3/4 X 11.5 MNH X 1/4 FNPT	163992	1
3	FITTING, PUSH ON HOSE 1/4 X 1/4 MALE	165183	4
4	MANIFOLD, WATER, 4 TUBE	167623	1

FIGURE 38 - PARTS LIST: ASSY, HINGE P/N 163979



ITEM NO.	DESCRIPTION	PART OR IDENTIFYING NO.	QTY. REQ.
1	WASHER, 3/8 SAE FLAT	150923	2
2	WASHER, 3/8 SAE LOCK	150925	1
3	SCREW, 38 - 16 X 3-3/4 HEX HD CAP	152504	1
4	NUT, 3/8 - 16 X 3 NYLOK HEX	152505	1
5	PLATE, FRONT HINGE	163977	1
6	PLATE, REAR HINGE	163978	1