



# FRAME AND DRUM ASSEMBLY

## CONJUNTO DE BASTIDOR Y TAMBOR

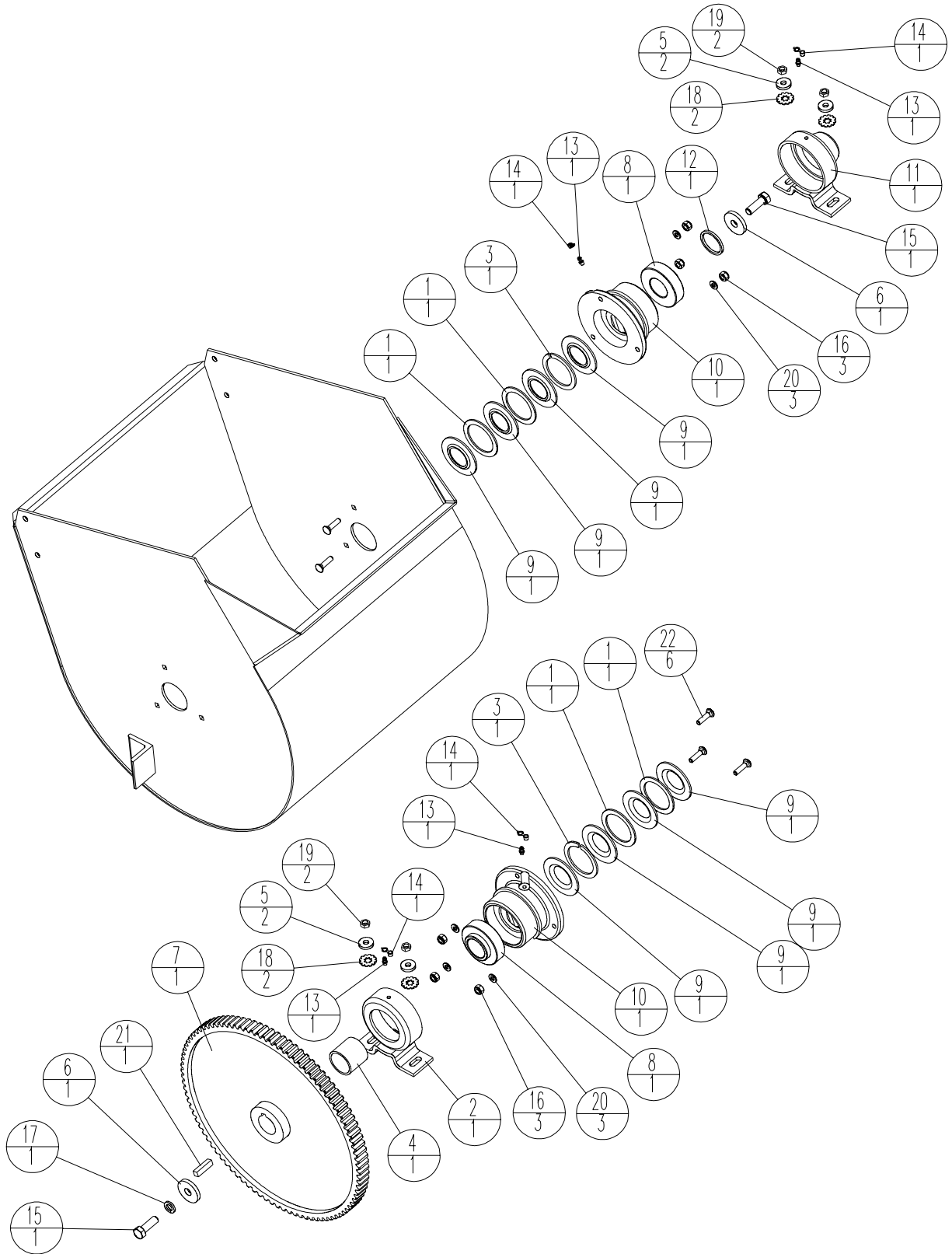
### CHASSIS ET TAMBOUR

### GRUPPO TELAIO E TAMBURO

Item	Part No.	Qty	Description	Descripción	Description	Descrizione
1	22111-2	1	Weldment Handle Front	Miembro soldado de manija delantera	Guidon soudé avant	Gruppo saldato stegola anteriore
2	22428-2	1	Weld Frame 465PM	Bastidor soldado 465PM	Châssis soudé 465PM	Saldatura telaio 465PM
3	25875-2	1	Drum Weld 465PM	Tambor soldado 465PM	Tambour soudé 465PM	Saldatura tamburo 465PM
4	26325	4	Washer WSHR .375 ID x 1.00 OD x .187 ZN	Arandela	Rondelle	Rondella
5	28123-2	1	Dump Handle 465PM	Manija de descarga 465PM	Poignée de décharge 465PM	Stegola di scarico 465PM
6	32730-2	1	Guard Lifter	Elevador de protector	Poussoir de protection	Sollevatore protezione
7	35296	1	Grip Handle Serrated 7/8 Dia	Empuñadura dentellada de manija, 7/8 diám.	Poignée dentelée 7/8 diam.	Impugnatura dentellata diam. 7/8
8	44368	1	Pin Hinge	Pasador de articulación	Axe charnière	Spina cerniera
9	20021	1	Kit Cowl Stationary 465PM (Includes 8, 11 and decals)	Juego fijo soldado 465PM	Kit soudé fixe 465PM	Kit paratia cabina-cofano fissa 465PM
10	47000	2	Grip Handle Plain 1 inch Dia	Empuñadura se manija sencilla, 1 in. diám.	Poignée lisse 1 inch diam.	Impugnatura liscia diam. 1 in.
11	47182	2	Latch Cowl	Pestillo de capó	Loquet de tablier	Chiusura cofano
12	23637	1	Kit Cowl Moveable 465PM (Includes 8, 11 and decals)	Juego móvil soldado 465PM	Kit soudé mobile 465PM	Kit paratia cabina-cofano mobile 465PM
13	57602-2	1	Weld Guard Drum 465PM	Protector de tambor soldado 465PM	Protection de tambour soudée 465PM	Saldatura protezione tamburo 465PM
14	80042	1	Nut NUTFX 3/8-16 ZN	Tuerca	Écrou	Dado
15	80043	11	Washer WSHR WROT 3/8 ZN	Arandela	Rondelle	Rondella
16	80056	6	Nut NUTNY 3/8-15 x 1-3/4 GR 5 ZN	Tuerca	Écrou	Dado
17*	80072	2	Screw HHCS 3/8-16 x 1-3/4 GR 5 ZN	Tornillo	Vis	Vite
18*	80145	6	Screw HHCS 3/8-16 x 1-1/4 GR 5 ZN	Tornillo	Vis	Vite
19*	80475	4	Screw 5/16-18 x 1-3/4 GR 5 ZN	Tornillo	Vis	Vite
20^	23638	1	Kit Cowl Full 465PM (Includes 9 and 12)	Juego de capó completo 465PM	Kit de tablier complet 465PM	Kit paratia cabina-cofano piena 465PM

\* Use Loctite 262  
 \* Usar Loctite 262  
 \* Utiliser du Loctite 262  
 \* Usare Loctite 262

^ Not Shown  
 ^ No se ilustra  
 ^ Non représenté  
 ^ Non illustrato





# BEARINGS AND SEALS ASSEMBLY

## CONJUNTO DE COJINETES Y SELLOS

### ROULEMENTS ET JOINTS

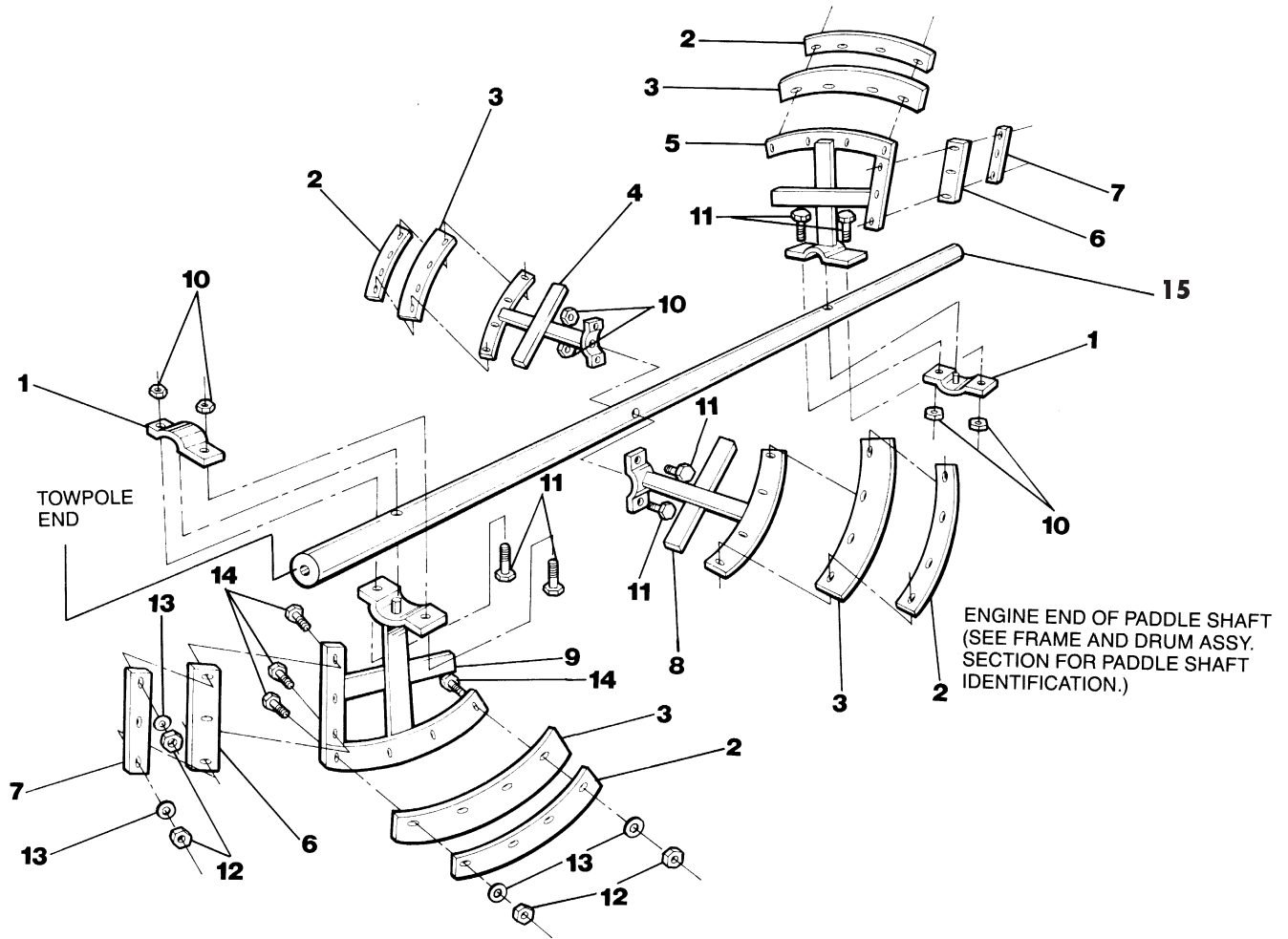
#### GRUPPO CUSCINETTI E GUARNIZIONI

Item	Part No.	Qty	Description	Descripción	Description	Descrizione
1	24017	4	Washer WSHR 12 ga, 2-15/16 OD x 2-1/4 ID	Arandela	Rondelle	Rondella
2	24021-2	1	Weld Trunnion PM EE	Muñón soldado PM EE	Tourillon soudé PM EE	Saldatura perno articolazione PM EE
3	25881	2	Washer Split	Arandela dividida	Rondelle fendue	Rondella con taglio
4	25882	1	Spacer Shaft EE 465PM	Espaciador de eje EE 465PM	Pièce d'écartement d'arbre EE 465PM	Distanziatore albero EE 465PM
5	26325	4	Washer WSHR .375 ID x 1.00 OD x .187 ZN	Arandela	Rondelle	Rondella
6	26326	2	Washer WSHR 9/16 x 1-3/4 x 1/4 Pln	Arandela	Rondelle	Rondella
7	23120	1	Kit Bull Gear	Juego de engranaje principal	Kit de couronne principale	Kit riduttore
8	32003	2	Bearing	Cojinete	Roulement	Cuscinetto
9	32324	8	Seal Drum Yellow	Sello de tambor amarillo	Joint de tambour jaune	Guarnizione gialla tamburo
10	32326	2	Housing Bearing Machined	Caja de cojinete rectificada	Logement de roulement usiné	Alloggiamento cuscinetto lavorato a macchina
11	36574-2	1	Weld Trunnion Capped TPE	Muñón soldado con tapa, TPE	Tourillon soudé protégé TPE	Saldatura perno articolazione sigillato TPE
12	44284	1	Spacer Drum Shaft	Espaciador de eje de tambor	Pièce d'écartement d'arbre de tambour	Distanziatore albero tamburo
13	46042	4	Fitting Grease 1/4-28 ZN	Grasera 1/4-28 ZN	Graisseur 1/4-28 ZN	Ingrassatore 1/4-28 ZN
14	47001	4	Cap Grease Fitting	Tapa de grasera	Capuchon de graisseur	Tappo ingrassatore
15*	80075	2	Screw HHCS 1/2-13 x 1-1/2 Gr 5 ZN	Tornillo	Vis	Vite
16*	80114	6	Nut NUTNY 5/16-18 ZN	Tuerca	Écrou	Dado
17	80117	1	Washer WSHRL 1/2 Med Split ZN	Arandela	Rondelle	Rondella
18	80119	4	Washer WSHRLT Int/Ext 3/8	Arandela	Rondelle	Rondella
19*	80326	4	Nut NUTFL 3/8-16 1/2 Height	Tuerca	Écrou	Dado
20	80495	6	Washer SAE 5/16 ZN	Arandela	Rondelle	Rondella
21	81060	1	Key Square 3/8 Pln	Chaveta cuadrada 3/8 PLN	Clavette carrée 3/8 ordinaire	Linguetta a sezione quadrata 3/8 piana
22	81064	6	Bolt CRBLT 5/16-18 x 1.25	Perno	Boulon	Bullone
23^	22153	1	Kit Bearing and Seal	Juego de cojinetes y sellos	Kit de roulement et joint	Kit cuscinetto e guarnizione

- \* Use Loctite 262
- \* Usar Loctite 262
- \* Utiliser du Loctite 262
- \* Usare Loctite 262

- ^ Not Shown
- ^ No se ilustra
- ^ Non rappresent
- ^ Non illustrat

**NOTE: If your mixer has a WELDED ON bearing housing you must purchase this bearing kit version: ST22153**  
**The ST23432 featured here is for the BOLT on version ONLY.**





# PADDLE ASSEMBLY

## CONJUNTO DE PALETAS

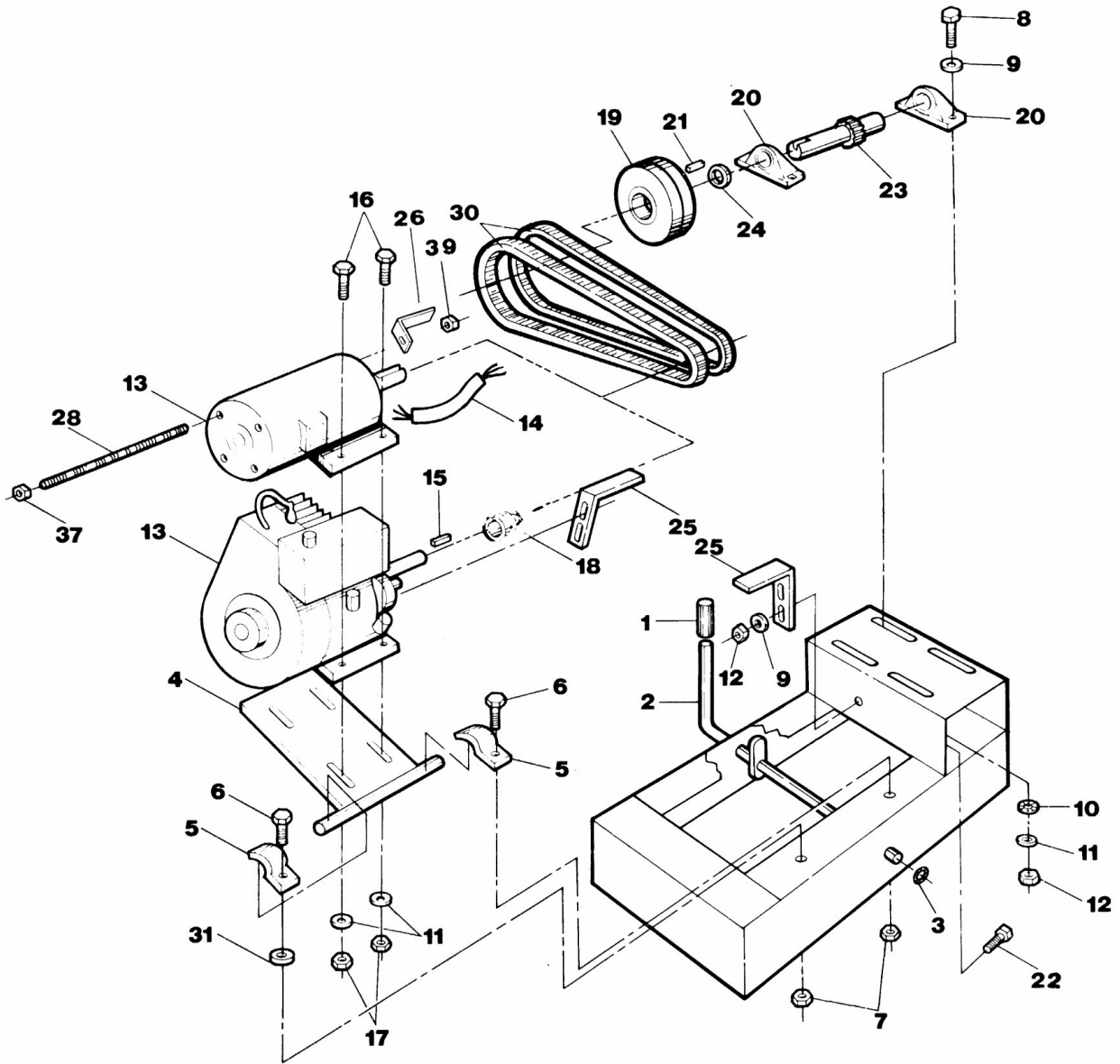
### PALETTES

### GRUPPO PALETTA

Item	Part No.	Qty	Description	Descripción	Description	Descrizione
1	24107-2	2	Clamp Paddle Weld	Abrazadera de paleta soldada	Collier de palette soudée	Gruppo saldato fascetta paletta
2	28117-2	4	Bar Backer Long	Barra de respaldo larga	Barre d'appui longue	Barra di base lunga
3	28091	4	Blade Rubber Long	Hoja de caucho larga	Lame en caoutchouc longue	Lama gomma lunga
4	22309-2	1	Paddle CTR EE	Paleta CTR EE	Palette centrale EE	Paletta CTR EE
5	22308-2	1	Paddle EE	Paleta EE	Palette EE	Paletta EE
6	24033	2	Blade Rubber Short	Hoja de caucho corta	Lame en caoutchouc courte	Lama gomma corta
7	28116-2	2	Bar Backer Short	Barra de respaldo corta	Barre d'appui courte	Barra di base corta
8	22310-2	1	Paddle CTR TPE	Paleta CTR TPE	Palette centrale TPE	Paletta CTR TPE
9	22311-2	1	Paddle TPE	Paleta TPE	Palette TPE	Paletta TPE
10	80051	6	Nut NUTNY 1/2 - 13	Tuerca	Écrou	Dado
11	80089	6	Screw HHCS 1/2 - 13 x 1-1/2 ZN	Tornillo	Vis	Vite
12	80042	12	Nut NUTFX 3/8 - 16	Tuerca	Écrou	Dado
13	80043	12	Washer WSHR 3/8 WROT	Arandela	Rondelle	Rondella
14	80041	12	Bolt CRBLT 3/8 - 16 x 1-1/4	Perno	Boulon	Bullone
15	24227	1	Shaft Paddle	Eje de paletas	Arbre à palettes	Paletta albero

Item	Part No.	Qty	Description	Descripción	Description	Descrizione
1^	22460	1	Paddle Kit Complete – Includes Items 1-14	Juego de paletas completa – Incluye artículos 1-14	Kit complet de palettes – Comprend les éléments 1 à 14	Kit paletta completo – include i componenti 1-14
2^	22328	1	Paddle Kit, Tow Pole End – Includes Items 2, 3, 6, 7, 9 and Blade Hardware	Juego de paletas, extremo de barra de remolque – Incluye artículos 2, 3, 6, 7, 9 y tornillería de hojas	Kit de palette, côté barre de remorquage – Comprend les éléments 2, 3, 6, 7, 9 et la boulonnerie des lames	Kit paletta, lato asta di traino – include i componenti 2, 3, 6, 7, 9 e viteria lame
3^	22330	1	Paddle Kit, Engine End – Includes Items 1, 2, 3, 5, 6, 7 and Blade Hardware	Juego de paletas, extremo del motor – Incluye artículos 1, 2, 3, 5, 6, 7 y tornillería de hojas	Kit de palette, côté moteur – Comprend les éléments 1, 2, 3, 5, 6, 7 et la boulonnerie des lames	Kit paletta, lato motore – include i componenti 1, 2, 3, 5, 6, 7 e viteria lame
4^	22331	1	Paddle Kit, Tow Pole End Center – Includes Items 2, 3, 8 and Blade Hardware	Juego de paletas, centro de extremo de barra de remolque – Incluye artículos 2, 3, 8 y tornillería de hojas	Kit de palette centrale, côté barre de remorquage – Comprend les éléments 2, 3, 8 et la boulonnerie des lames	Kit paletta, lato asta di traino centrale – include i componenti 2, 3, 8 e viteria lame
5^	22332	1	Paddle Kit, Engine End Center – Includes Items 2, 3, 4 and Blade Hardware	Juego de paletas, centro de extremo del motor – Incluye artículos 2, 3, 4 y tornillería de hojas	Kit de palette centrale, côté moteur – Comprend les éléments 2, 3, 4 et la boulonnerie des lames	Kit paletta, lato motore centrale – include i componenti 2, 3, 4 e viteria lame
6^	22327	1	Backer Bar Set – Includes Items 2 (4 each) and 7 (2 each)	Juego de barras de respaldo – Incluye artículos 2 (4 c/u) y 7 (2 c/u)	Jeu de barres d'appui – Comprend les éléments 2 (4 chacun) et 7 (2 chacun)	Gruppo barre di base – include i componenti 2 (4 ciascuna) e 7 (2 ciascuna)
7^	22112	1	Rubber Blade Set – Includes Items 3 (4 each), 6 (2 each)	Juego de hojas de caucho – Incluye artículos 3 (4 c/u) y 6 (2 c/u)	Jeu de lames en caoutchouc – Comprend les éléments 3 (4 chacun) et 6 (2 chacun)	Gruppo lame gomma – include i componenti 3 (4 ciascuna) e 6 (2 ciascuna)

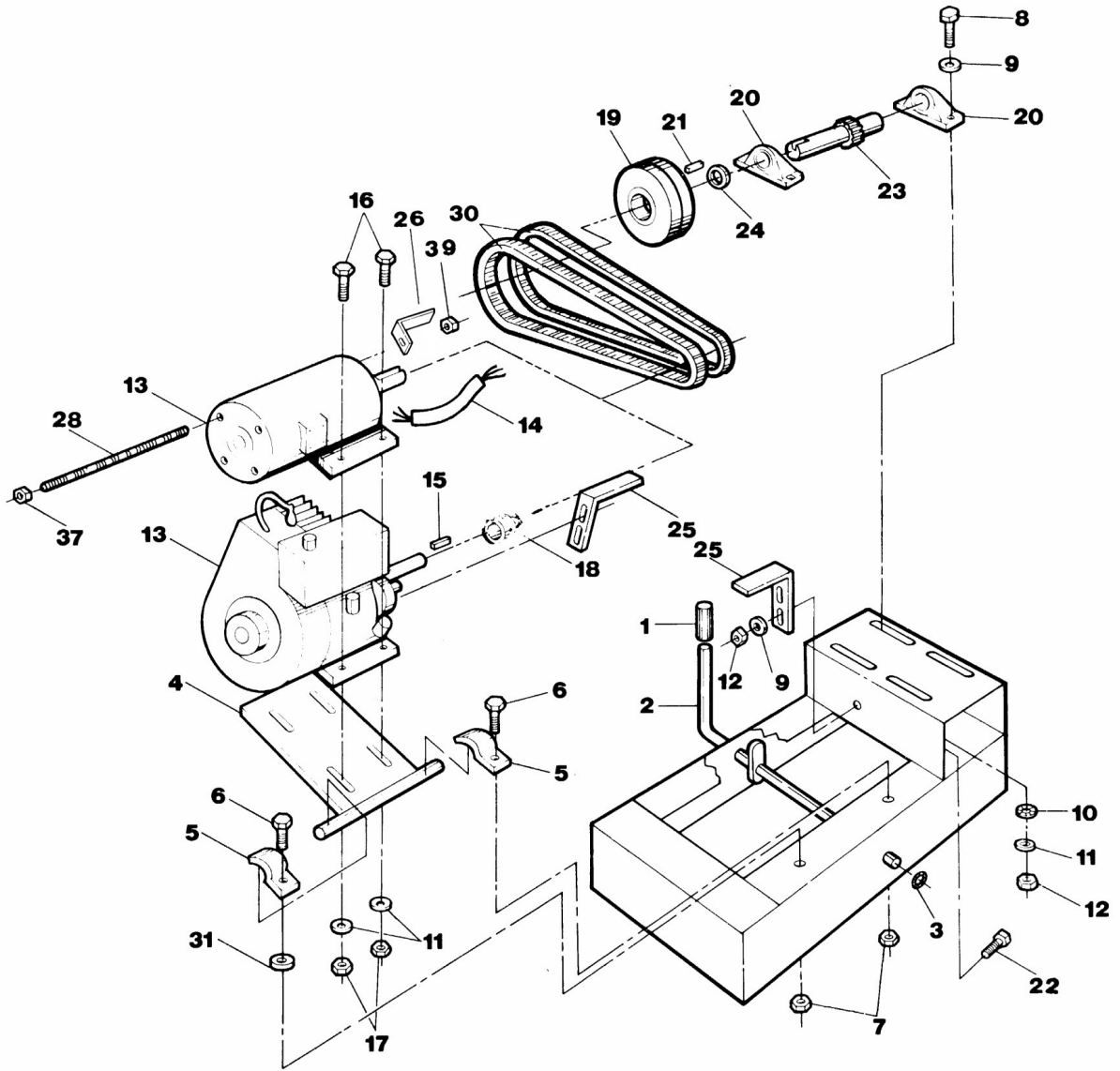
- ^ Not Shown
- ^ No se ilustra
- ^ Non rappresentato
- ^ Non illustrato





# ENGINE ASSEMBLY CONJUNTO DEL MOTOR MOTEUR GRUPPO MOTORE

Item	Part No.	Qty	Description	Descripción	Description	Descrizione
1	34687	1	Flex Grip	Empuñadura flexible	Poignée souple	Impugnatura flessibile
2	22315-2	1	Assembly Clutch	Conjunto de embrague	Embrayage	Gruppo frizione
3	80411	1	Ring Push On 5/8 ZN	Anillo montado a presión, 5/8 ZN	Anneau à simple pression 5/8 ZN	Anello a spinta 5/8 ZN
4	22430-2	1	Base Motor	Base de motor	Base de moteur	Base motorino
5	57786-2	2	Bracket Motor Base	Soporte de base de motor	Support de base de moteur	Staffa base motore
6	80075	2	Screw HHCS 1/2-13 x 1-1/2 ZN	Tornillo	Vis	Vite
7	80051	2	Nut NUTNY 1/2-13 ZN	Tuerca	Écrou	Dado
8	80072	4	Screw HHCS 3/8-16 x 1-3/4 ZN	Tornillo	Vis	Vite
9	80043	6	Washer WSHR 3/8 WROT ZN	Arandela	Rondelle	Rondella
10	80119	4	Washer WSHRL 3/8 Interior/Exterior	Arandela	Rondelle	Rondella
11	26325	12	Washer WSHR Motor Base	Arandela	Rondelle	Rondella
12	80056	5	Nut NUTNY 3/8-16	Tuerca	Écrou	Dado
13	31202	1	Motor 3/4 HP Electric	Motor eléctrico, 3/4 hp	Moteur électrique 3/4 hp	Motore elettrico da 3/4 hp
13a	37138	1	Motor 1 HP Electric	Motor eléctrico, 1 hp	Moteur électrique 1 hp	Motore elettrico da 1 hp
13b	30586	1	Engine 5.5 HP B&S	Motor B&S, 5.5 hp	Moteur B&S 5.5 hp	Motore B&S da 5.5 hp
13c	30159	1	Engine 5 HP Honda	Motor Honda, 5 hp	Moteur Honda 5 hp	Motore Honda da 5 hp
13d	30599	1	Engine 6 HP Robin	Motor Robin, 6 hp	Moteur Robin 6 hp	Motore Robin da 6 hp
15	80060	1	Key 3/16 x 3/16 x 1	Chaveta, 3/16 x 3/16 x 1	Clavette 3/16 x 3/16 x 1	Linguetta da 3/16 x 3/16 x 1
16	80475	4	Screw HHCS 5/16-18 x 1-3/4 ZN (Electric Only)	Tornillo	Vis	Vite
16a	80145	5	Screw HHCS 3/8-16 x 1-1/4 ZN (5.5 B&S, 5 Honda, 6 Robin)	Tornillo	Vis	Vite
17	80114	4	Nut NUTNY 5/16-18 ZN (Electric Only)	Tuerca	Écrou	Dado
17a	80056	4	Nut NUTNY 3/8-16 ZN (5.5 B&S, 5 Honda, 6 Robin)	Tuerca	Écrou	Dado
18	34693	1	Sheave AK25 x 5/8 (3/4 hp Electric Only)	Polea AK25 x 5/8 (motor eléctrico de 3/4 hp solamente)	Poulie AK25 x 5/8 (moteur électrique 3/4 hp uniquement)	Puleggia AK25 x 5/8 (solo motore elettrico da 3/4 hp)
18a	35930	1	Sheave AK25 x 7/8 (1 hp Electric Only)	Polea AK25 x 7/8 (motor eléctrico de 1 hp solamente)	Poulie AK25 x 7/8 (moteur électrique 1 hp uniquement)	Puleggia AK25 x 1/8 (solo motore elettrico da 1 hp)
18b	35924	1	Sheave 2AF20 x 3/4 (5.5 B&S, 5 Honda, 6 Robin)	Polea 2AF20 x 3/4 (B&S 5.5, Honda 5, Robin 6)	Poulie 2AF20 x 3/4 (B&S 5.5, Honda 5, Robin 6)	Puleggia 2AF20 x 3/4 (motori B&S da 5.5 hp, Honda da 5 HP, Robin da 6 HP)
19	35475	1	Sheave AK71 x 1 (Electric Only)	Polea AK71 x 1 (motor eléctrico solamente)	Poulie AK71 x 1 (moteur électrique uniquement)	Puleggia AK71 x 1 (solo motore elettrico)
19a	34985	1	Sheave 2AK94 x 1 (5.5 B&S, 5 Honda, 6 Robin)	Polea 2AK94 x 1 (B&S 5.5, Honda 5, Robin 6)	Poulie 2AK94 x 1 (B&S 5.5, Honda 5, Robin 6)	Puleggia 2AK94 x 1 (motori B&S da 5.5 hp, Honda da 5 hp, Robin da 6 hp)
20	32208	2	Bearing Pillow Block	Cojinete de chumacera	Palier support	Supporto cuscinetti





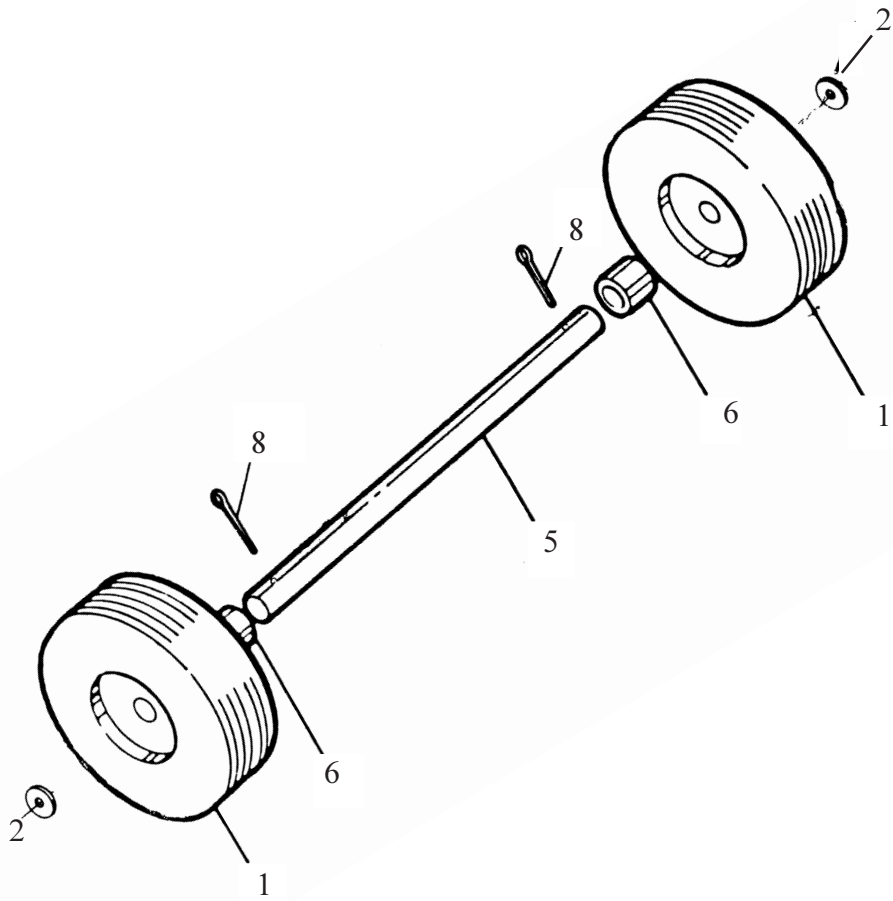
# ENGINE ASSEMBLY

## CONJUNTO DEL MOTOR

### MOTEUR

### GRUPPO MOTORE

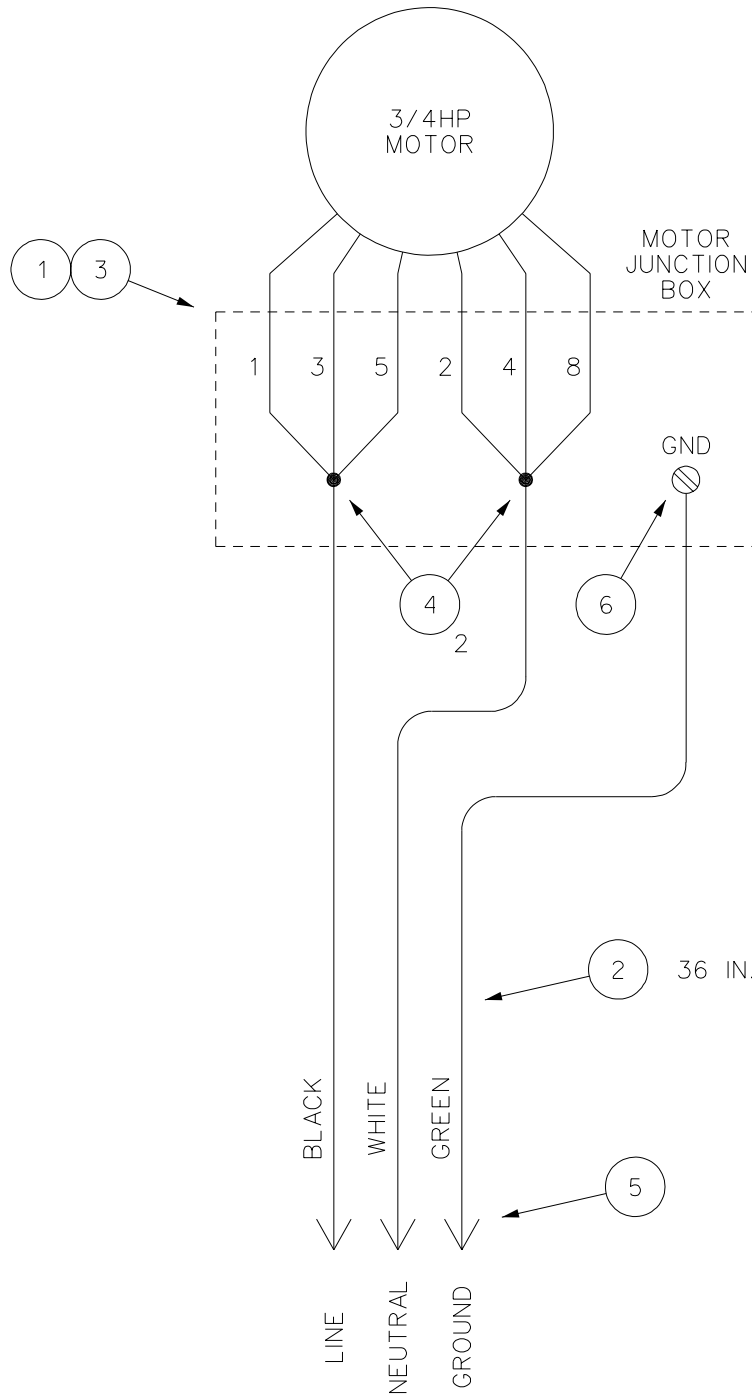
Item	Part No.	Qty	Description	Descripción	Description	Descrizione
21	80100	1	Key 1/4 x 1/4 x 1	Chaveta 1/4 x 1/4 x 1	Clavette 1/4 x 1/4 x 1	Linguetta da 1/4 x 1/4 x 1
22	80041	1	Bolt CRBLT 3/8-16 x 1-1/4 ZN	Perno	Boulon	Bullone
23	22334	1	Pinion Shaft Assembly 6 Tooth	Conjunto de eje de piñón de 6 dientes	Arbre à pignon à 6 dents	Gruppo albero pignone a 6 denti
24	24622	3	Washer 1-1/32 x 1-1/2 x 1/8	Arandela, 1-1/32 x 1-1/2 x 1/8	Rondelle 1-1/32 x 1-1/2 x 1/8	Rondella 1-1/32 x 1-1/2 x 1/8
25	28883-2	1	Guide Belt (1hp Electric Only)	Guía de correas (eléctrico de 1 hp solamente)	Guide de courroie (moteur électrique 1 hp uniquement)	Guida cinghia (solo motore elettrico da 1 HP)
25a	28431-2	2	Guide Belt (5.5 B&S, 5 Honda, 6 Robin)	Guía de correas (B&S 5.5, Honda 5, Robin 6)	Guide de courroie (B&S 5.5, Honda 5, Robin 6)	Guida cinghia (motori B&S da 5.5 HP, Honda da 5 HP, Robin da 6 HP)
26	50430-2	1	Guide Belt 465PM 3/4HP Electric (3/4HP Electric assembled on opposite side as illustrated)	Guía de correas, 465PM, eléctrico de 3/4 hp	Guide de courroie 465PM pour moteur électrique 3/4 HP	Guida cinghia 465PM per motore elettrico da 3/4 HP
28	28826	1	Rod Thread 1/4-20 x 12" ZN (1 HP Electric Only)	Varilla roscada 1/4-20 x 12 in. ZN (eléctrico de 1 hp solamente)	Tige filetée 1/4-20 x 12 in ZN (moteur électrique 1 HP uniquement)	Asta filettata 1/4-20 x 12 in ZN (solo motore elettrico da 1 HP)
28a	50431	1	THDRD 10 - 24 x 10.25" SS (3/4HP Electric)	THDRD 10 - 24 x 10.25 in. acero inox. (eléctrico de 3/4 hp)	Tige filetée 10 - 24 x 10.25 in ac. inox. (moteur électrique 3/4 HP)	Asta filettata 10 - 24 x 10.25 in SS (motore elettrico da 3/4 HP)
30	34664	2	V-Belt A26 (Electric Only)	Correa trapezoidal A26 (eléctrico solamente)	Courroie trapézoïdale A26 (moteur électrique uniquement)	Cinghia trapezoidale A26 (solo motore elettrico)
30a	34052	2	V-Belt A32 (5.5 B&S, 5 Honda, 6 Robin)	Correa trapezoidal A32 (B&S 5.5, Honda 5, Robin 6)	Courroie trapézoïdale A32 (B&S 5.5, Honda 5, Robin 6)	Cinghia trapezoidale A32 (motori B&S da 5.5 HP, Honda da 5 HP, Robin da 6 HP)
39	80236	2	Nut NUTKP 1/4-20 ZN (1 hp Electric)	Tuerca	Écrou	Dado
39a	80115	3	Nut NUTFX 10-24 ZN (3/4 hp Electric)	Tuerca	Écrou	Dado





**AXLE ASSEMBLY**  
**CONJUNTO DE EJE**  
**ESSIEU**  
**GRUPPO ASSALE**

Item	Part	Qty	Description	Descripción	Description	Descrizione
1	34019	2	Tire and Rim Assy 3.00 x 12	Conj. de neumático y aro, 3.00 x 12	Pneu et jante 3.00 x 12	Gruppo pneumatico e cerchione 3.00 x 12
2	80344	2	Washer 3/4 SAE ZN	Arandela, 3/4 SAE ZN	Rondelle 3/4 SAE ZN	Rondella 3/4 SAE ZN
5	28645-2	1	Axle	Eje	Essieu	Assale
6	28642	2	Spacer Axle	Espaciador de eje	Pièce d'écartement d'essieu	Distanziatore assale
8	80315	2	Pinct 3/16 x 2	PINCT 3/16 x 2	Pinct 3/16 x 2	Pinct 3/16 x 2



pm024  
rev. f

115VAC (NOMINAL) 20A SINGLE PHASE SERVICE

CONNECT TO A PROPERLY GROUNDED AND PROTECTED ELECTRICAL SERVICE  
 USING A 3-WIRE 12AWG (MINIMUM) EXTENSION CORD SUITABLE FOR OUTDOOR USE.  
 REFER TO THE OPERATOR MANUAL FOR MORE INFORMATION.



**WIRING SCHEMATIC 3/4HP 115V SINGLE PHASE**  
**DIAGRAMA ESQUEMÁTICO DE ALAMBRADO 3/4 HP 115 V MONOFÁSICO**  
**SCHÉMA DE CÂBLAGE 3/4 HP 115 V MONOPHASÉ**  
**SCHEMA ELETTRICO 3/4 HP 115 V MONOFASE**

Item	Part No.	Qty	Description	Descripción	Description	Descrizione
1	31202	1	Motor .75 hp 1725 RPM 115/230V 1-Ph	Motor, 0.75 hp, 1725 rpm, 115/230 V, monofásico	Moteur 0.75 hp 1725 tr/mn 115/230 V monophasé	Motorino 0.75 hp 1725 giri/min. 115/230 V monofase
2	48016	3	Cord 12/3 Type SOOW 600 Volt	Cordón 12/3 tipo SOOW 600 V	Cordon 12/3 Type SOOW 600 V	Cavo 12/3 tipo SOOW 600 volt
3	36382	1	Cord Grip ½ in NPT .500-.625 in Cable OD	Sujetador de cordón 1/2 in. NPT cable 0.500-0.625 D.E.	Bride de cordon ½ in NPT 0.500-0.625 in diam. ext. câble	Impugnatura cavo ½ in NPT 0.500-0.625 in De cavo
4	48576	2	Wire Joint Insul 4x18 AWG thru 2x12 AWG	Empalme de alambres aislado, 4x18 AWG a 2x12 AWG	Isol. jonction de fils 4x18 AWG à 2x12 AWG	Giunzione isolante 4x18 - 2x12 AWG
5	48578	1	Plug 20A 125V NEMA 5-20P	Enchufe, 20 A, 125 V, NEMA 5-20P	Prise 20 A 125 V NEMA 5-20P	Spina 20 A 125 V NEMA 5-20P
6	48031	1	Term Ring #10 Insul 12-10 AWG	Borne de anillo N° 10 aislado, 12-10 AWG	Borne à anneau isol. n°10 12-10 AWG	Capocorda ad anello n. 10 isolam. 12-10 AWG



# WIRING SCHEMATIC 1HP 115V SINGLE PHASE

DIAGRAMA ESQUEMÁTICO DE ALAMBRADO 1 HP 115 V MONOFÁSICO

SCHÉMA DE CÂBLAGE 1 HP 115 V MONOPHASÉ

SCHEMA ELETTRICO 1 HP 115 V MONOFASE

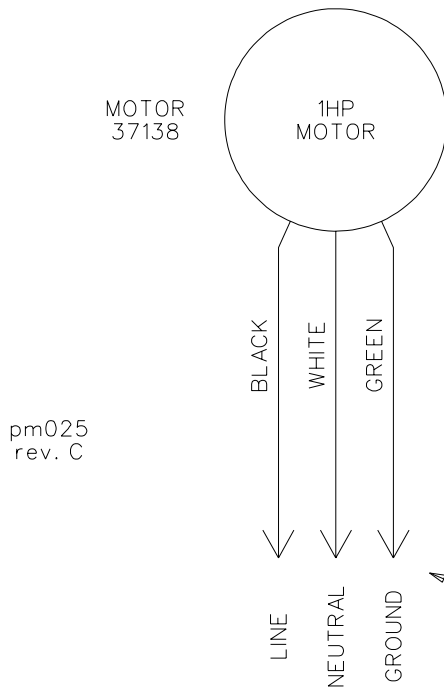
MOTOR IS CONFIGURABLE FOR 115V OR 230V OPERATION BY POSITIONING VOLTAGE SELECTOR ON MOTOR JUNCTION BOX.

PLACE SELECTOR IN 115V POSITION FOR 115V WIRING AS SHOWN BELOW.

DECAL  
55024

WIRED FOR  
115V

AFFIX DECAL TO MOTOR.



RECOMMENDED PLUGS FOR 115V 20A APPLICATIONS:

NEMA 5-20P STRAIGHT BLADE DEVICES:

PASS & SEYMOUR 5366-X  
HUBBELL HBL5366C  
BRYANT BRY5366NP

NEMA L5-20P LOCKING DEVICES:

PASS & SEYMOUR L520-P  
HUBBELL HBL2311  
BRYANT 70520NP

115VAC (NOMINAL) 20A SINGLE PHASE SERVICE

CONNECT TO A PROPERLY GROUNDED AND PROTECTED ELECTRICAL SERVICE USING A 3-WIRE 12AWG (MINIMUM) EXTENSION CORD SUITABLE FOR OUTDOOR USE. REFER TO THE OPERATOR MANUAL FOR MORE INFORMATION.



# WIRING SCHEMATIC 1HP 230V SINGLE PHASE

DIAGRAMA ESQUEMÁTICO DE ALAMBRADO 1 HP 230 V MONOFÁSICO  
SCHÉMA DE CÂBLAGE 1 HP 230 V MONOPHASÉ  
SCHEMA ELETTRICO 1 HP 230 V MONOFASE

NOTE:

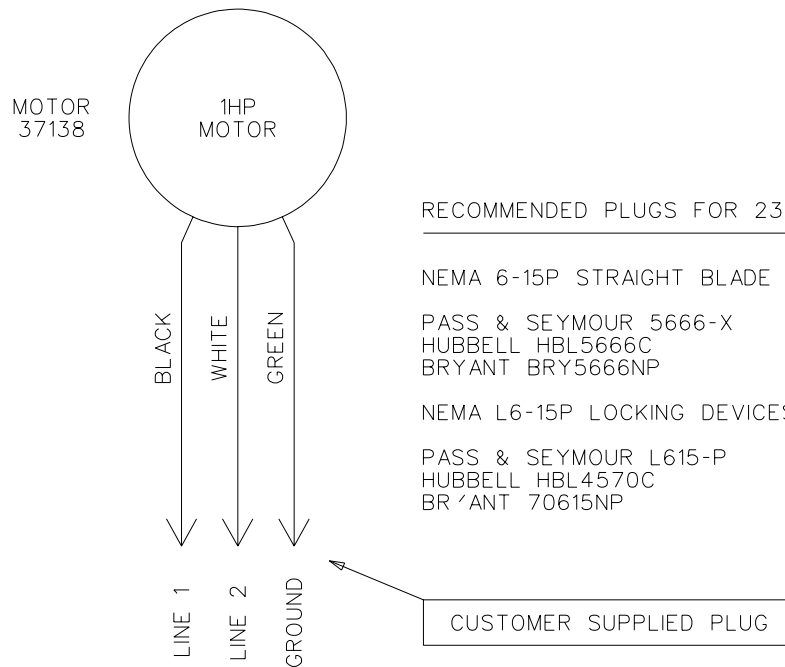
MOTOR IS CONFIGURABLE FOR 115V OR 230V OPERATION BY POSITIONING VOLTAGE SELECTOR ON MOTOR JUNCTION BOX.

PLACE SELECTOR IN 230V POSITION FOR 230V WIRING AS SHOWN BELOW.

DECAL  
55023

WIRED FOR  
**230V**

AFFIX DECAL TO MOTOR.



RECOMMENDED PLUGS FOR 230V 15A APPLICATIONS:

NEMA 6-15P STRAIGHT BLADE DEVICES:

PASS & SEYMOUR 5666-X  
HUBBELL HBL5666C  
BRYANT BRY5666NP

NEMA L6-15P LOCKING DEVICES:

PASS & SEYMOUR L615-P  
HUBBELL HBL4570C  
BRYANT 70615NP

230VAC (NOMINAL) 15A SINGLE PHASE SERVICE

CONNECT TO A PROPERLY GROUNDED AND PROTECTED ELECTRICAL SERVICE USING A 3-WIRE 12AWG (MINIMUM) EXTENSION CORD SUITABLE FOR OUTDOOR USE. REFER TO THE OPERATOR MANUAL FOR MORE INFORMATION.



1

This engine has been tested with fuel treated with **STA-BIL®** to prevent gum and varnish residue in tank.

2

NOTICE

Mixer blades are pre-set at the factory .  
Some field adjustment may be required to meet local preferences.

55129

3



5

**GREASE WEEKLY**

4



6

**SAFETY CHAIN**

"PATENT #4180281"

CROSS CHAIN UNDER TOW POLE WITH 4" - 5" VERTICAL SLACK

LATCH CHAIN AT DESIRED LENGTH

FOR EXCESS OR STORAGE, INSERT CHAIN INTO HOLE

FEED END THROUGH LINK OF CHAIN BEFORE SECURING WITH CONNECTING LINK DO THE SAME WITH OPPOSITE END OF CHAIN

FRAME OF TOWING VEHICLE

55121

7

**STANDARD FEATURES**

- Spacious cowls with maximum ventilation for super cool engine performance
- Patented drum bearings and seals with unconditional lifetime warranty
- Strongest tow pole in the industry
- Patented removable bearing and seal housing
- Steel paddles with rubber blades
- Patented Lift-Away guard
- Safety chain with patented storage attachment
- Wide towing axle on large mixers
- High speed towing tires
- Quick pierce bag splitter
- Precision sealed bearings used throughout
- Full length cowl hinge with 1/4" stainless steel pin
- Choice of towing hitch: pintle, pin, stamped ball or forged ball hitches

BUILT IN AMERICA FROM IDEAS BORN IN AMERICA



## DECAL IDENTIFICATION IDENTIFICACIÓN DE ETIQUETAS IDENTIFICATION DES AUTOCOLLANTS IDENTIFICAZIONE DEGLI ADESIVI

Item	Part No.	Qty	Description	Descripción	Description	Descrizione
1	55214	1	Decal STA-BIL	Etiqueta - STA-BIL	Autocollant - STA-BIL	Adesivo - STA-BIL
2	55129	1	Tag Mixer Blade Adjustment	Rótulo - Ajuste de paletas mezcladoras	Étiquette - réglage des lames de malaxeur	Etichetta - regolazione lame impastatrice
3	55116	1	Decal Stone Eagle	Etiqueta - Águila Stone	Autocollant - aigle Stone	Adesivo - Stone Eagle
4	55259	1	Decal Stone Champion Steel Drum	Etiqueta - Tambor de acero Stone Champion	Autocollant - tambour en acier Stone Champion	Adesivo - tamburo acciaio Stone Champion
^	55402	1	Kit Decals Mixer Features <i>^Includes Decals 5-7 Below</i>	Juego de etiquetas de características de mezcladora <i>^Incluye las etiquetas 5-7 siguientes</i>	Kit d'autocollants des caractéristiques de la bétonnière <i>^Comprend les autocollants 5 à 7 ci-dessous</i>	Kit adesivi caratteristiche impastatrice <i>^ Include gli adesivi 5-7 sotto indicati</i>
5	55007	2	Decal Grease Weekly	Etiqueta - Engrasar semanalmente	Autocollant - graisser chaque semaine	Adesivo - lubrificazione settimanale
6	55119	1	Decal Standard Features	Etiqueta de características estándar	Autocollant des caractéristiques standard	Adesivo caratteristiche di serie
7	55121	1	Decal Safety Chain	Etiqueta de cadena de seguridad	Autocollant sur la chaîne de sûreté	Adesivo catena di sicurezza

- ^ Not Shown
- ^ No se ilustra
- ^ Non représenté
- ^ Non illustrato



	<b>⚠ WARNING</b>
	<p><b>Moving parts can crush and cut.</b> Do not operate with guards open or removed. Shut off engine to clean or service. If equipped with electric motor, disconnect plug before cleaning or servicing.</p>
	<b>⚠ ADVERTENCIA</b>
	<p><b>Las partes en movimiento pueden aplastar y cortar.</b> No haga funcionar el equipo con las guardas abiertas o si se han retirado. Apague el motor para limpiar o dar mantenimiento. Si el equipo tiene un motor eléctrico, desconecte el enchufe antes de dar mantenimiento.</p>

55010

1

	<b>⚠ WARNING</b>
	<p><b>Moving parts can crush and cut.</b> Do not operate with guards open or removed. Shut off engine to clean or service. If equipped with electric motor, disconnect plug before cleaning or servicing.</p>
	<b>⚠ ADVERTENCIA</b>
	<p><b>Las partes en movimiento pueden aplastar y cortar.</b> No haga funcionar el equipo con las guardas abiertas o si se han retirado. Apague el motor para limpiar o dar mantenimiento. Si el equipo tiene un motor eléctrico, desconecte el enchufe antes de dar mantenimiento.</p>

55011

2

<b>IMPORTANT</b>
<p><b>SAFETY INSTRUCTIONS</b> Read and understand the operator's manual and all safety labels before operating this machine. Only a trained person is to be permitted to operate this equipment. Training should include operation instruction under normal conditions and emergency situations. Personnel working on or near this equipment shall be instructed as to the location and operation of pertinent stopping devices. Under no circumstances are the safety characteristics of this equipment to be altered. Routine inspections and corrective/preventative maintenance measures are to be conducted to ensure that all guards and safety features are retained and function properly.</p>
<b>IMPORTANTE</b>
<p><b>INSTRUCCIONES DE SEGURIDAD</b> Lea y entienda el manual del operador y todas las etiquetas de seguridad antes de operar esta máquina. Sólo se permite operar este equipo a las personas capacitadas. La capacitación debe incluir las instrucciones de operación bajo condiciones normales y situaciones de emergencia. El Personal que trabaja con o cerca de este equipo deberá ser instruido acerca de la ubicación y operación de los dispositivos de paro pertinentes. Bajo ninguna circunstancia se podrán alterar las características de seguridad de este equipo. Se deberán llevar a cabo inspecciones de rutina y medidas de mantenimiento correctivo / preventivo para asegurar que todas las guardas y características de seguridad sean retenidas y funcionen adecuadamente.</p>

55555

7

	<b>⚠ DANGER</b>
	<p><b>Fuel and fumes can explode and burn.</b> Stop engine and extinguish all flames and smoking materials before refueling. Use a safety can.</p>
	<b>⚠ PELIGRO</b>
	<p><b>El combustible y los gases pueden explotar y arder.</b> Pare el motor y apague todas las llamas y los materiales para fumar antes de reabastecer el combustible. Utilice un recipiente de seguridad.</p>

55128

3

<b>NOTICE</b>
<p>If safety or hazard decals or operator's manual are missing from this equipment, contact the manufacturer immediately at 1-800-888-9926 or (585) 229-5141</p>
<b>AVISO</b>
<p>Si las etiquetas de seguridad o peligro o el manual del operador faltan en este equipo, contactar inmediatamente al fabricante al 1-800-888-9926 o al (585) 229-5141.</p>

55541

5

	<b>⚠ WARNING</b>
	<p><b>Read and understand operator's manual before using this machine.</b> Failure to follow operating instructions could result in personal injury or damage to equipment.</p>
	<b>⚠ ADVERTENCIA</b>
	<p><b>Lea y entienda el manual del operador antes de utilizar esta máquina.</b> El no seguir las instrucciones de operación puede ocasionar lesiones personales o daños al equipo.</p>

55564

6

	<b>IMPORTANT</b>	<b>IMPORTANTE</b>
	<p><b>CLEANING INSTRUCTIONS</b></p> <ul style="list-style-type: none"> <li>• Keep drum guard closed.</li> <li>• Always keep guard lifter connected.</li> <li>• Keep drum in upright, mixing position.</li> <li>• Spray mixer with water before mix dries to remove accumulation.</li> <li>• Rotate drum to dump position to remove debris.</li> </ul>	<p><b>INSTRUCCIONES DE LIMPIEZA</b></p> <ul style="list-style-type: none"> <li>• Mantenga cerrada la guarda del tambor.</li> <li>• Mantenga siempre conectado el elevador de la guarda.</li> <li>• Mantenga el tambor en la posición de mezcla, hacia arriba.</li> <li>• Para retirar la acumulación de mezcla rocíe el mezclador con agua.</li> <li>• Para retirarla rote el tambor a la posición de vaciado.</li> </ul>

55496

4



## DECAL IDENTIFICATION IDENTIFICACIÓN DE ETIQUETAS IDENTIFICATION DES AUTOCOLLANTS IDENTIFICAZIONE DEGLI ADESIVI

Item	Part No.	Qty	Description	Descripción	Description	Descrizione
^	55388	set	Kit Mixer Safety Decals ^ Includes Decals 1-7 Below	Juego de etiquetas de seguridad de mezcladora ^ Incluye las etiquetas 1-7 siguientes	Autocollants de sécurité du kit de malaxeur ^ Comprend les autocollants 1 à 7	Kit adesivi sicurezza impastatrice ^ Include gli adesivi 1-7 sotto indicati
1	55010	1	Decal Warning Moving Parts External	Etiqueta - Piezas en movimiento, externas	Autocollant d'avertissement - pièces en mouvement	Adesivo avvertimento - parti mobili esterne
2	55011	1	Decal Warning Moving Parts Internal	Etiqueta - Piezas en movimiento, internas	Autocollant d'avertissement - pièces en mouvement	Adesivo avvertimento - parti mobili interne
3	55128	1	Decal Danger Fuel Flammable	Etiqueta - Peligro, combustible inflamable	Autocollant de danger - carburant	Adesivo di pericolo - combustibile infiammabile
4	55496	1	Decal Drum Cleaning Instructions	Etiqueta - Instrucciones de limpieza de tambor	Autocollant, - instructions de nettoyage du tambour	Adesivo - istruzioni di pulizia tamburo
5	55541	1	Decal Notice Missing Decals	Etiqueta - Estar atento a etiquetas faltantes	Autocollant d'avis, - autocollants	Adesivo avvertenza - adesivi mancanti
6	55564	1	Decal Warning Read Manual	Etiqueta - Advertencia, leer el manual	Autocollant d'avertissement - lire le manuel	Adesivo avvertenza - leggere manuale
7	55565	1	Decal Safety Instructions	Etiqueta - Instrucciones de seguridad	Autocollant - consignes de sécurité	Adesivo - istruzioni di sicurezza



1

IDLE ENGINE 5 MINUTES  
BEFORE STOPPING  
TO IMPROVE SERVICE LIFE

---

DEJE FUNCIONAR EL MOTOR EN  
VACIO DURANTE 5 MINUTOS ANTES  
DE DETENERLO PARA EXTENDER SU  
VIDA DE SERVICIO.

55546

2

**CAUTION**

When equipment is not in use turn  
the fuel valve to the OFF position.

**PRECAUCIÓN**

Cuando el equipo no esté en uso  
gire la válvula de combustible a la  
posición OFF (apagado)

55570

3

**WIRED FOR  
115V**

55024

4

**WIRED FOR  
230V**

55023



**DECAL IDENTIFICATION**  
**IDENTIFICACIÓN DE ETIQUETAS**  
**IDENTIFICATION DES AUTOCOLLANTS**  
**IDENTIFICAZIONE DEGLI ADESIVI**

Item	Part No.	Qty	Description	Descripción	Description	Descrizione
1	55546	1	Decal Instruction Engine Idle	Etiqueta - Instrucciones de ralentí del motor	Autocollant d'instructions - ralenti	Adesivo di istruzioni - regime minimo
2	55570	1	Decal Caution Turn Off Valve	Etiqueta - Precaución, cerrar válvula	Autocollant de mise en garde - fermer le robinet	Adesivo attenzione - spegnimento valvola
3	55023	1	Decal Safety Wired for 230V	Etiqueta de seguridad - Alambrado para 230 V	Autocollant de sécurité Câblé pour 230 V	Adesivo di sicurezza cablato per 230 V
4	55024	1	Decal Safety Wired for 115V	Etiqueta de seguridad - Alambrado para 115 V	Autocollant de sécurité Câblé pour 460 V	Adesivo di sicurezza cablato per 115 V