

REVISED STARTING
SERIAL # 121010053

PARTS LIST MANUAL

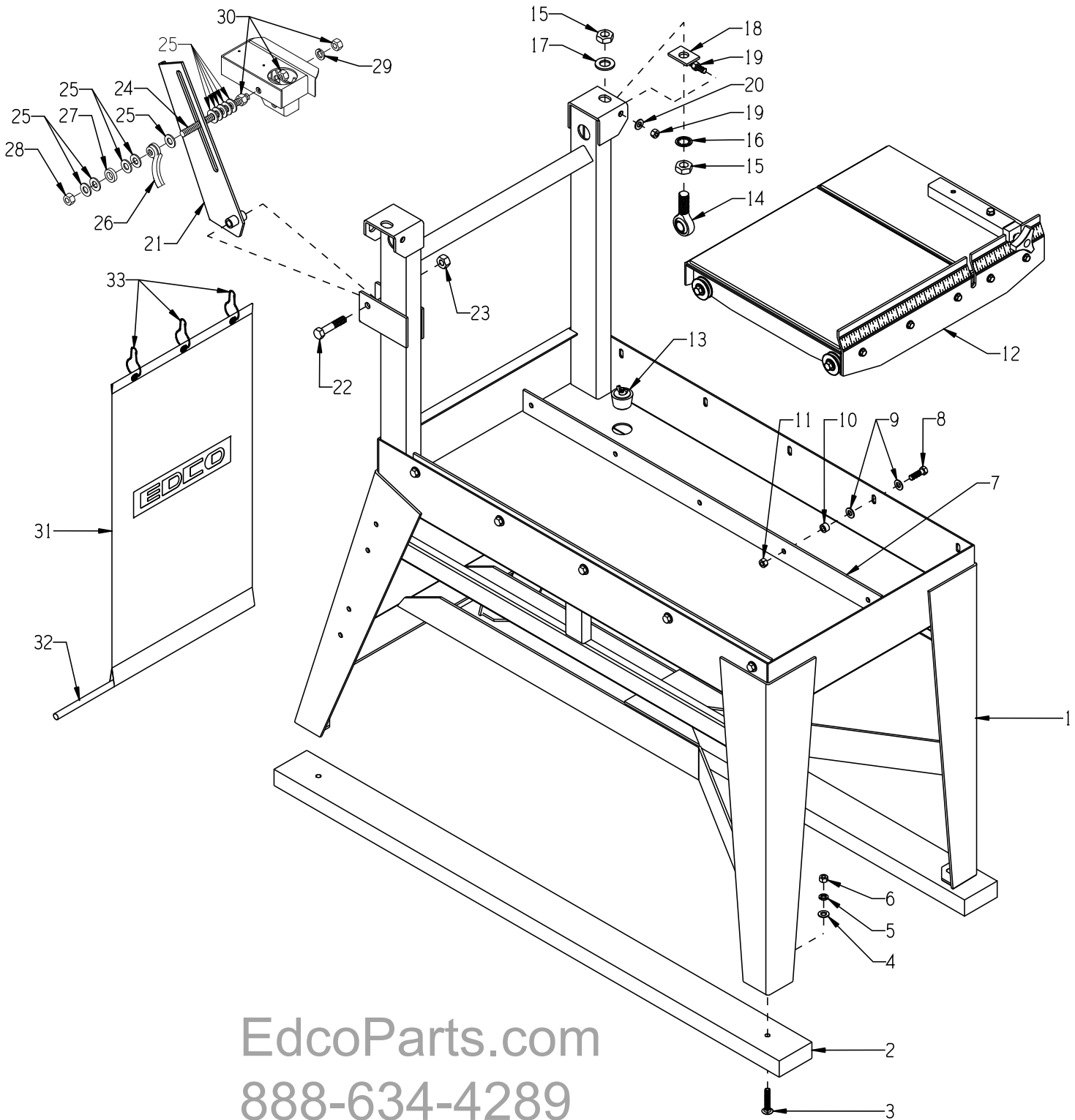
MODEL MS20



20" ELECTRIC POWERED MASONRY SAWS

SKU #	MODEL #	POWER OPTION
21200	MS20-5B/230/1	BALDOR ELECTRIC MOTOR 5HP 230V 1-PHASE 60HZ
21500-230	MS20-5B/230/3	BALDOR ELECTRIC MOTOR 5HP 230V 3-PHASE 60HZ
21500-460	MS20-5B/460/3	BALDOR ELECTRIC MOTOR 5HP 460V 3-PHASE 60HZ
21300-230	MS20-7.5B/230/3	BALDOR ELECTRIC MOTOR 7.5HP 230V 3-PHASE 60HZ
21300-460	MS20-7.5B/460/3	BALDOR ELECTRIC MOTOR 7.5HP 460V 3-PHASE 60HZ

ILLUSTRATION 1: MAIN GROUPING



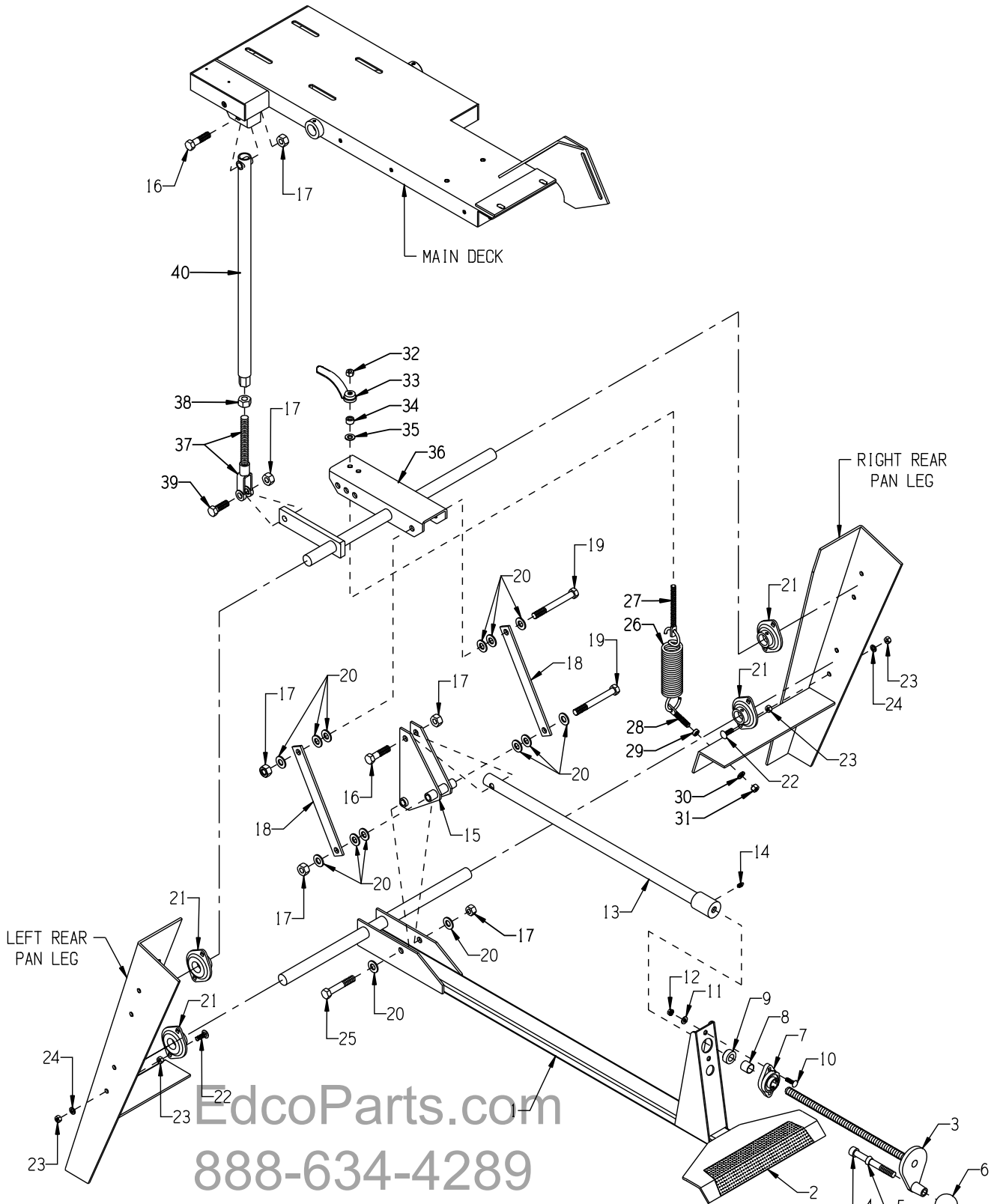
EdcoParts.com

888-634-4289

An iBuy Stores Company

PARTS LISTING - ILLUSTRATION 1: MAIN GROUPING			
ITEM #	PART #	DESCRIPTION	QTY.
1	41106	STAND & PAN WELDMENT, MS-20	1
2	41002	SKID BOARD 2 X 4 X 54"L, GMS/MS-20	2
3	10364	BOLT, CARRIAGE 3/8-16 X 2 GRADE 5	4
4	10025	WASHER, FLAT 3/8 SAE ZINC	4
5	10811	WASHER, LOCK 3/8 ZINC	4
6	10404	NUT, HEX 3/8-16 ZINC	4
7	41003	RAIL, GUIDE, GMS/MS-20	2
8	10309	SCREW, CAP 3/8-24 X 1-1/4 ZINC	10
9	10025	WASHER, FLAT 3/8 SAE ZINC	20
10	10011	SPACER, STEEL 5/8OD X 3/8ID X 3/8T	10
11	10004	NUT, HEX LOCK 3/8-24 ZINC	10
12	41101	TABLE COMPLETE, ROLLING, MS/GMS-20 (REFER TO ILLUSTRATION 5 FOR BREAKDOWN)	1
13	40378	STOPPER ASSEMBLY 1-1/2"	1
14	10935	ROD END, MALE 3/4-16	2
15	10429	NUT, HEX JAM 3/4-16 ZINC	4
16	10609	WASHER, LOCK, INT. TOOTH 3/4"	2
17	10009	WASHER, FLAT 3/4 SAE ZINC	2
18	41107	ADJUSTER, HEAD, MS-20	2
19	10404	NUT, HEX 3/8-16 ZINC	4
20	10025	WASHER, FLAT 3/8 SAE ZINC	2
21	41021	PLATE, PIVOT LOCK, GMS/MS-20	1
22	10343	SCREW, CAP 1/2-20 X 2-1/2	1
23	10205	NUT, HEX LOCK 1/2-20 ZINC	1
24	41108	ROD, ALLTHREAD 1/2-13 X 7"L	1
25	10312	WASHER, FLAT 1/2 SAE ZINC (QTY. & SPACING MAY VARY)	10
26	40358	NUT, TAIL HANDLE 1/2-13	1
27	79035	BUSHING, RUBBER 1-1/16 X 5/8 X 1/4	1
28	10155	NUT, HEX NYLON LOCK 1/2-13 ZINC	1
29	10045	WASHER, LOCK 1/2 ZINC	1
30	10417	NUT, HEX 1/2-13 ZINC	1
31	40375	CURTAIN 15" X 28" W/ LOGO	1
32	40377	CURTAIN ROD 1/2"DIA. X 13"L	1
33	40376	HOOK, CURTAIN	3

ILLUSTRATION 2: FOOT PEDAL & LINKAGE GROUPING



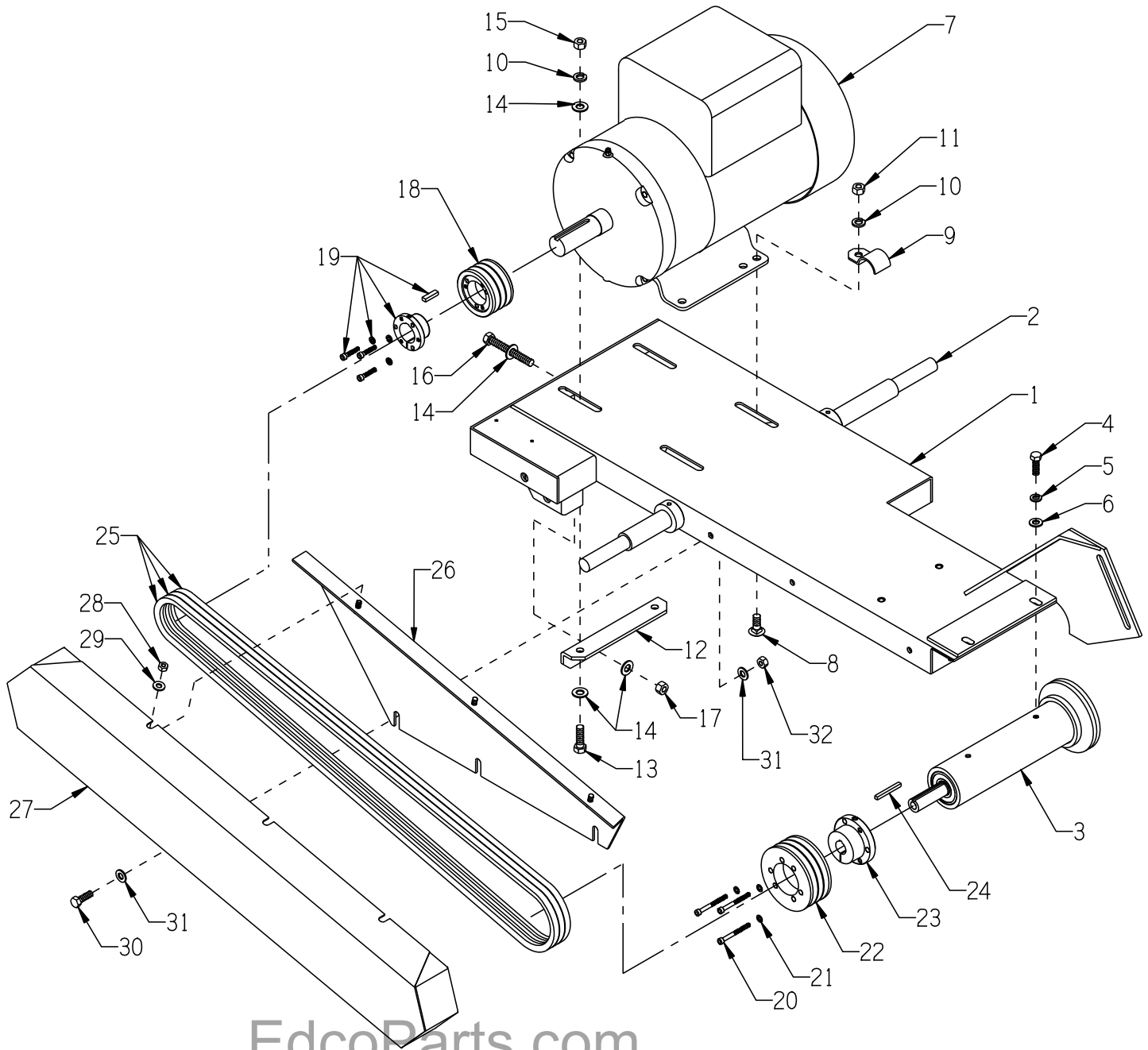
EdcoParts.com
888-634-4289

An iBuy Stores Company

PARTS LISTING - ILLUSTRATION 2: FOOT PEDAL & LINKAGE GROUPING

ITEM #	PART #	DESCRIPTION	QTY.
1	41121	TREADLE (FOOT PEDAL) MS/GMS-20	1
2	41132	TREAD, ABRASIVE, FOOT PEDAL	1
3	41012	HANDWHEEL, SMALL W/ 5/8-8 X 15" ROD	1
4	10346	SCREW, SKT. HD. CAP 1/2-13 X 4-1/2	1
5	50550	SLEEVE, BRASS 1/2" TAPERED	1
6	10104	KNOB, BALL 1-7/8 W/ 1/2-13THD, BLK.	1
7	80009	BEARING, BALL 5/8" 2-HOLE (NO G.F.)	1
8	55010	SPACER, HANDWHEEL 5/8" ID X 3/4" L	1
9	10096	COLLAR, LOCKING 5/8" ID	1
10	10412	BOLT, CARRIAGE 1/4-20 X 1 FULL THD.	2
11	10602	WASHER, FLAT 1/4 SAE ZINC	2
12	10861	NUT, KEPS LOCK 1/4-20 ZINC	2
13	41013	LINKAGE, CUT CONTROL, GMS/MS-20	1
14	10808	FITTING, GREASE 1/4-28 STRAIGHT	1
15	41014	LINKAGE, PIVOT, MS/GMS-20	1
16	10322	SCREW, CAP 1/2-20 X 2	2
17	10205	NUT, HEX LOCK 1/2-20 ZINC	6
18	41015	LINKAGE, CONNECTING, MS/GMS-20	2
19	10409	SCREW, CAP 1/2-20 X 4-1/2	2
20	10312	WASHER, FLAT 1/2 SAE ZINC	14
21	41060	BEARING, BALL 1" 2-HOLE SHEET METAL	4
22	10819	BOLT, CARRIAGE 5/16-18 X 1 FULL THD	8
23	10054	NUT, HEX 5/16-18 ZINC	16
24	10801	WASHER, LOCK 5/16 ZINC	8
25	10202	SCREW, CAP 1/2-20 X 3	1
26	41041	SPRING, EXT. 1.75" OD X 8" L	2
27	10845	BOLT, SPADE 3/8-16 X 4-1/2	1
28	10843	BOLT, SPADE 3/8-16 X 1-5/8	1
29	10113	SPACER, STEEL 9/16 OD X 3/8 ID X 7/32	1
30	10811	WASHER, LOCK 3/8 ZINC	1
31	10404	NUT, HEX 3/8-16 ZINC	1
32	10810	NUT, HEX LOCK 3/8-16 ZINC	1
33	40044	NUT, TAIL HANDLE 3/8-16	1
34	10011	SPACER, STEEL 5/8 OD X 3/8 ID X 3/8 T	1
35	10025	WASHER, FLAT 3/8 SAE ZINC	1
36	41122	TREADLE, TRANSFER ARM, MS/GMS-20	1
37	41019	LINKAGE, CLEVIS, MS/GMS-20	1
38	10046	NUT, HEX 5/8-11 ZINC	1
39	10308	SCREW, CAP 1/2-20 X 1-1/2	1
40	41018	LINKAGE, DRAG, GMS/MS-20	1

ILLUSTRATION 3: MAIN DECK & BELT DRIVE GROUPING



EdcoParts.com

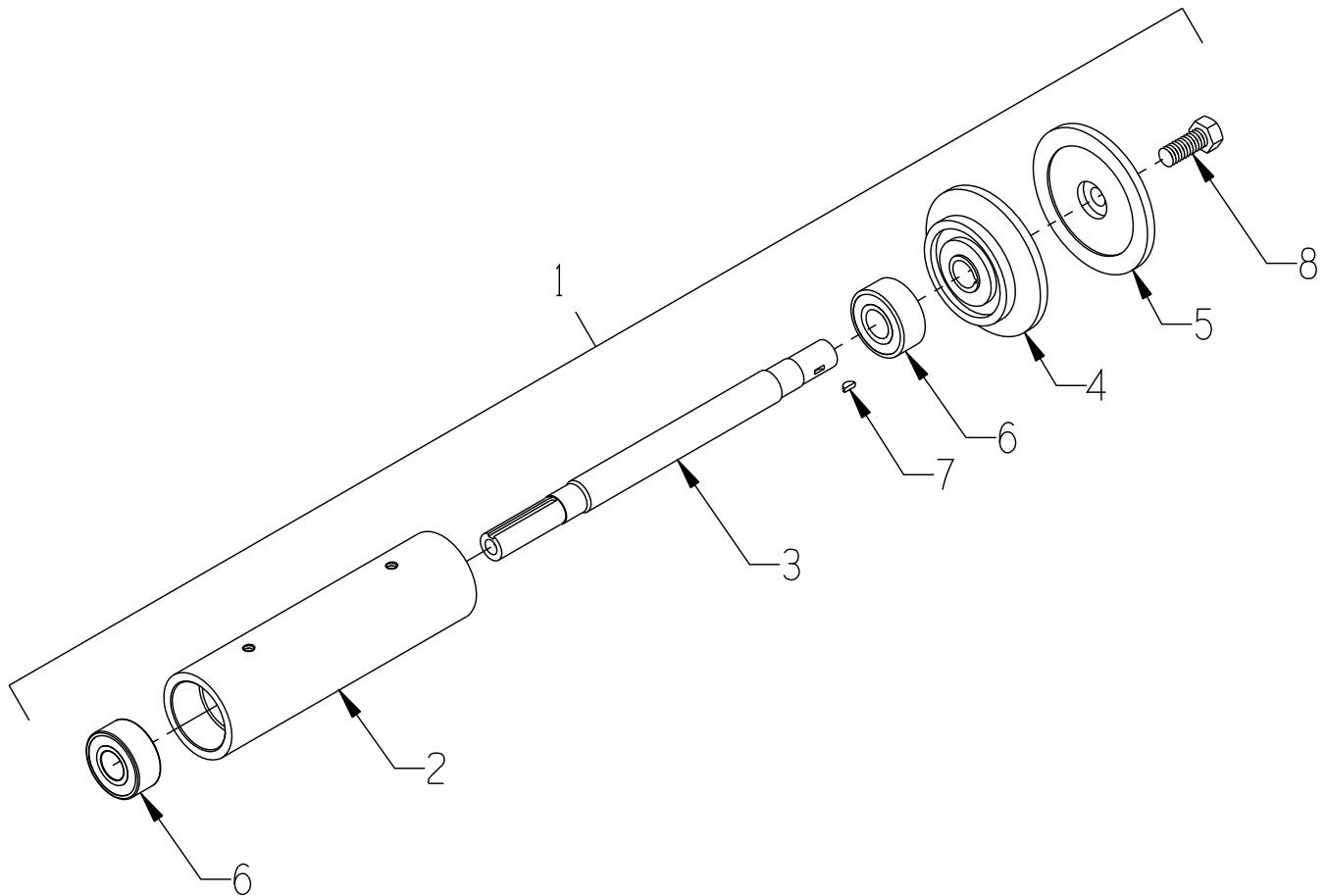
888-634-4289

An iBuy Stores Company

PARTS LISTING - ILLUSTRATION 3: MAIN DECK & BELT DRIVE GROUPING

ITEM #	PART #	DESCRIPTION	QTY.
1	41112	DECK, MAIN, MS-20	1
2	41120	SHAFT, PIVOT, MS-20	1
3	41113	ARBOR ASSY. COMPLETE (REFER TO ILLUS. 4 FOR BREAKDOWN)	1
4	10332	SCREW, CAP 5/16-24 X 1	4
5	10801	WASHER, LOCK 5/16 ZINC	4
6	10213	WASHER, FLAT 5/16 SAE ZINC	4
7	-----	MOTOR (REFER TO ILLUS. 7 FOR DETAILS)	1
8	10802	BOLT, CARRIAGE 3/8-16 X 1 ZINC	2
9	41124	CLAMP, CONDUIT 1/2"PIPE (13/16")	2
10	10811	WASHER, LOCK 3/8 ZINC	4
11	10404	NUT, HEX 3/8-16 ZINC	2
12	41109	TENSIONER, MS-20	1
13	10309	SCREW, CAP 3/8-24 X 1-1/4 ZINC	2
14	10025	WASHER, FLAT 3/8 SAE ZINC	5
15	10014	NUT, HEX 3/8-24 ZINC	2
16	28025	BOLT, TAP 3/8-16 X 3 (FULL THREAD)	1
17	10156	NUT, HEX NYLON LOCK 3/8-16 ZINC	1
18	10534	SHEAVE 2.65"OD X 3GR.3V X JA	1
19	10533	BUSHING, SHEAVE JA X 1-1/8"BORE	1
20	11584	SCREW, SKT. HD. CAP 10-24 X 2	6
21	10831	WASHER, LOCK, INT. TOOTH #10	6
22	10539	SHEAVE 3.65"OD X 3GR.3V X SH	1
23	10532	BUSHING, SHEAVE SH X 3/4"BORE	1
24	10170	KEY 3/16SQ X 1-3/4	1
25	10257	BELT 3VX-630, GATES SUPER HC V (3/8" x 63")	3
26	41111	BRACKET, BELT COVER, MS-20	1
27	41110	COVER, BELT, MS-20	1
28	10861	NUT, KEPS LOCK 1/4-20 ZINC	3
29	10602	WASHER, FLAT 1/4 SAE ZINC	3
30	10053	SCREW, CAP 5/16-18 X 3/4	2
	10806	SCREW, CAP 5/16-18 X 1 (SHOWN)	1
31	10213	WASHER, FLAT 5/16 SAE ZINC	6
32	10807	NUT, HEX LOCK 5/16-18 ZINC	3

ILLUSTRATION 4: ARBOR ASSEMBLY



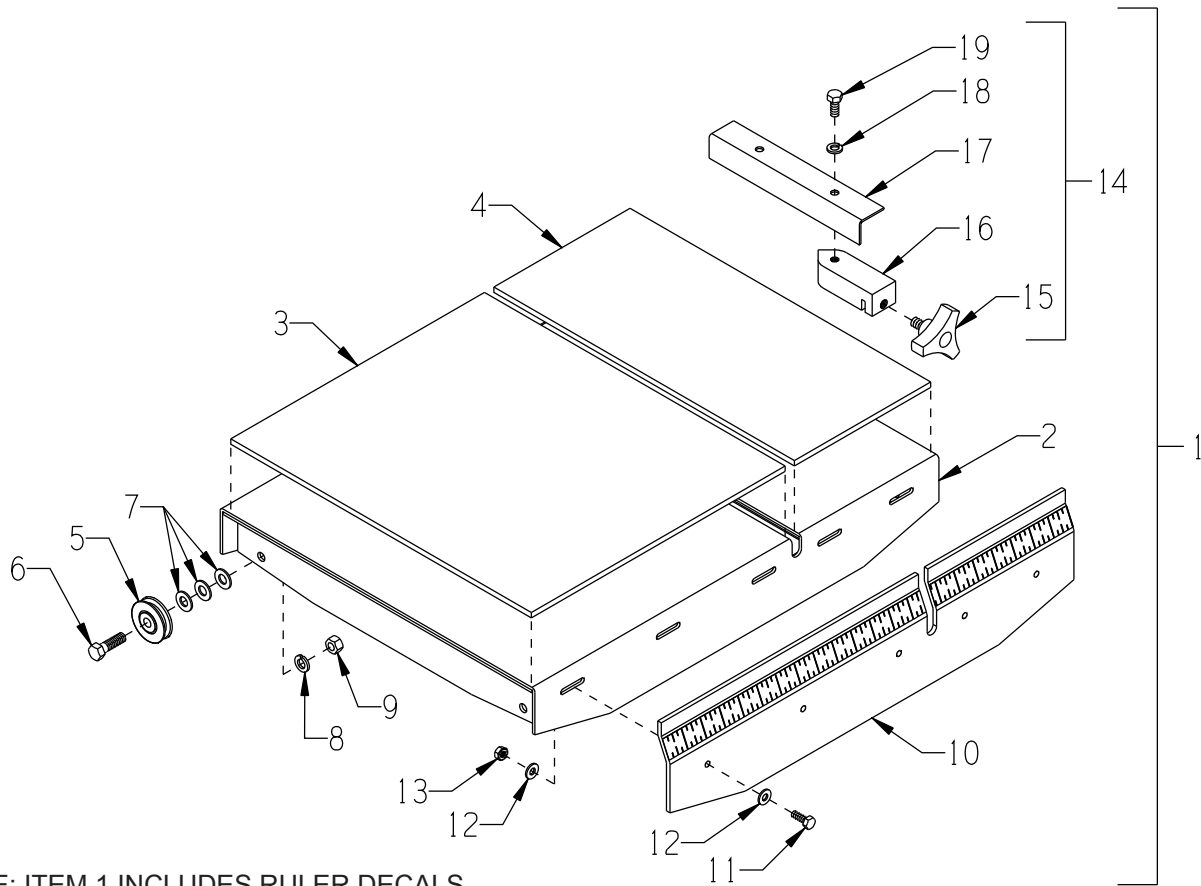
ITEM #	PART #	DESCRIPTION	QTY.
1	41113	ARBOR ASSY. COMPLETE (INCLUDES ITEMS 2 THRU 8)	1
2	41024	ARBOR HOUSING, MS/GMS-20	1
3	41025	ARBOR SHAFT 11-3/4"L, MS/GMS-20	1
4	40022	ARBOR BACKING PLATE 4", MASONRY SAW	1
5	40023	ARBOR BLADE CAP 4", MASONRY SAW	1
6	40018	BEARING, RADIAL BALL 20X47X20.6MM	2
7	40036	KEY, WOODRUFF 1/8 X 3/8 (#403)	1
8	10321	SCREW, CAP 1/2-20 X 1-1/4	1

EdcoParts.com
888-634-4289

An iBuy Stores Company

ILLUSTRATION 5: ROLLING TABLE ASSEMBLY

E-MS20-PL-1012

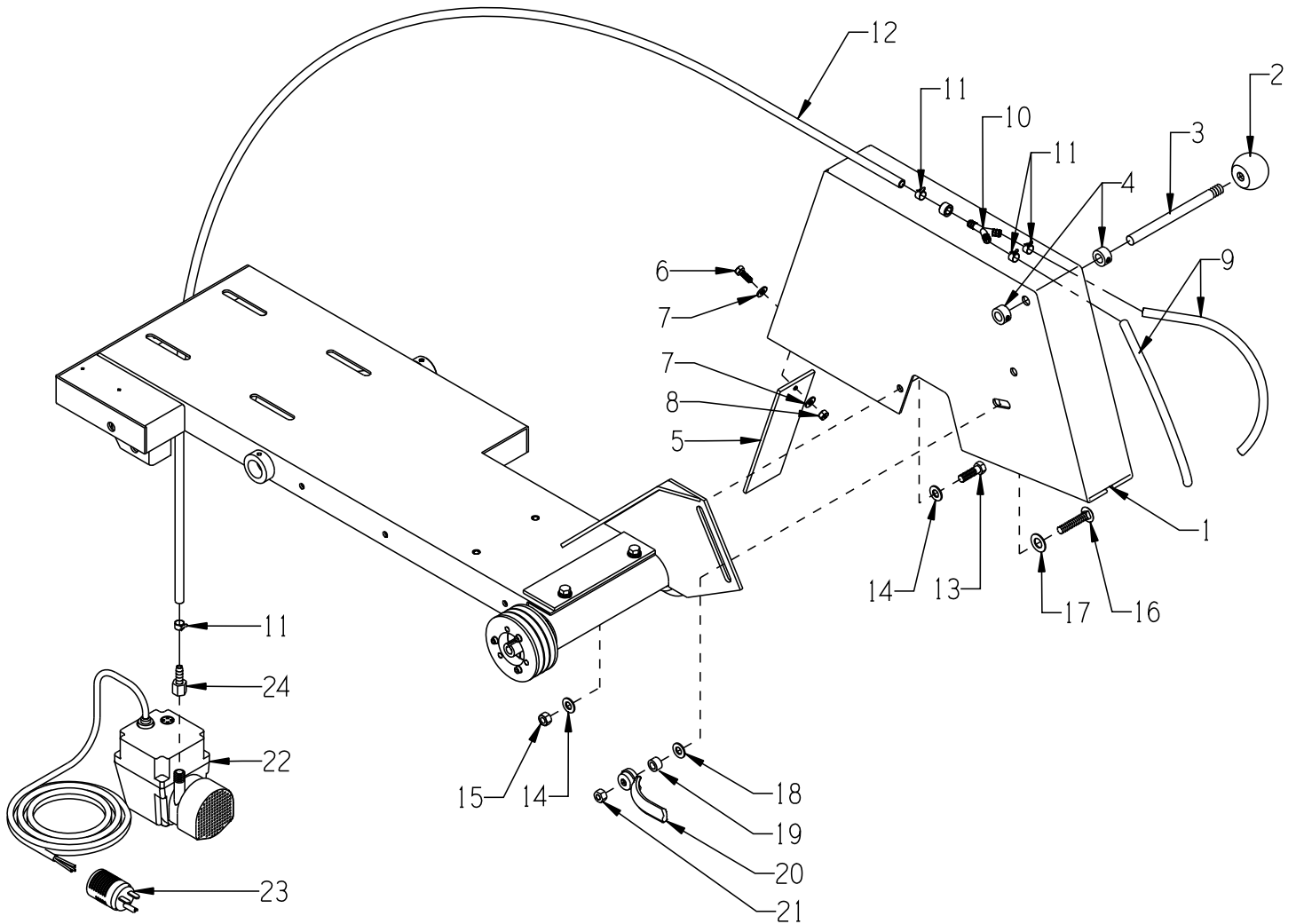


* NOTE: ITEM 1 INCLUDES RULER DECALS

ITEM #	PART #	DESCRIPTION	QTY.
1*	41101	TABLE COMPLETE, ROLLING (INCLUDES ITEMS 2 THRU 19)	1
2	41102	TABLE ONLY, ROLLING, GMS/MS-20	1
3	41006	RUBBER PAD 16 X 13-5/8 X 1/4	1
4	41007	RUBBER PAD 16 X 7-1/4 X 1/4	1
5	3621	PULLEY BEARING 1-3/4DIA. X 3/8BORE (A.K.A. TRACK WHEEL)	4
6	10816	SCREW, CAP 3/8-24 X 1-1/2	4
7	10025	WASHER, FLAT 3/8 SAE ZINC (QTY. & SPACING MAY VARY)	12
8	10811	WASHER, LOCK 3/8 ZINC	4
9	10014	NUT, HEX 3/8-24 ZINC	4
10	41103	FRONT PANEL, ROLL TABLE (NO RULER DECALS)	1
11	10018	SCREW, CAP 1/4-20 X 3/4	5
12	10602	WASHER, FLAT 1/4 SAE ZINC	10
13	10861	NUT, KEPS LOCK 1/4-20 ZINC	5
14	40689A	GUIDE ASSY., CUT, UNIVERSAL (INCL. ITEMS 15 THRU 19)	1
15	40425	KNOB, 3-PRONG W/ 3/8 16 X 5/8 STUD	1
16	42015	BLOCK, CUT GUIDE, MASONRY SAW	1
17	40689	BRACKET, CUT GUIDE, UNIVERSAL	1
18	10801	WASHER, LOCK 5/16 ZINC	1
19	10053	SCREW, CAP 5/16-18 X 3/4	1

EdcoParts.com
888-634-4280
An iBuy Stores Company

ILLUSTRATION 6: BLADE GUARD & WATER PUMP GROUPING



EdcoParts.com

888-634-4289

An iBuy Stores Company

**PARTS LISTING - ILLUSTRATION 6:
BLADE GAURD & WATER PUMP GROUPING**

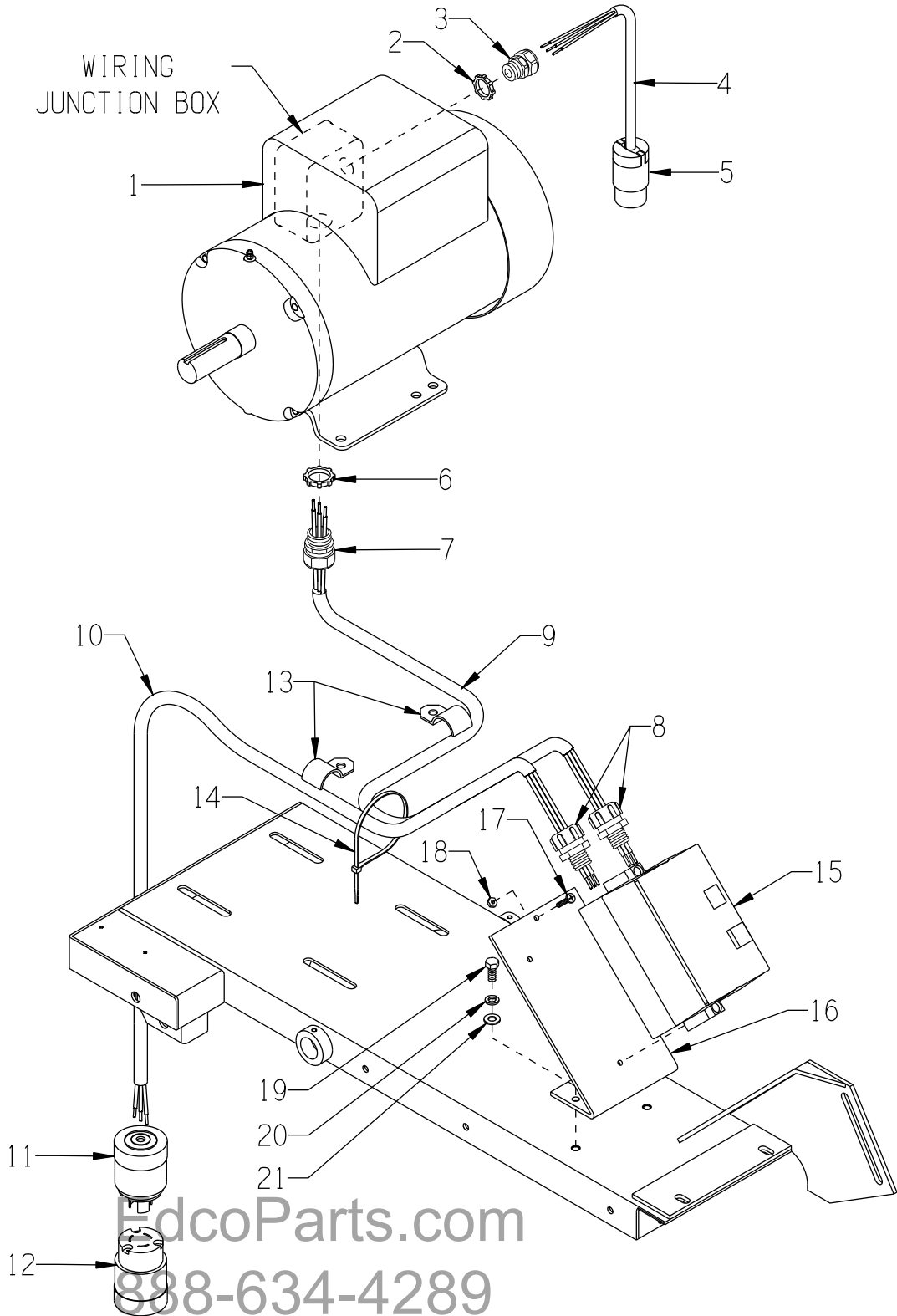
ITEM #	PART #	DESCRIPTION	QTY.
1	41026	GUARD, BLADE 20", MS/GMS-20	1
2	10104	KNOB, BALL 1-7/8 W/ 1/2-13THD, BLK.	1
3	41027	SHAFT, HANDLE, GMS/MS-20	1
4	10431	COLLAR, LOCKING 1/2"ID	2
5	41115	FLAP, RUBBER 2-1/2 X 8	1
6	10018	SCREW, CAP 1/4-20 X 3/4	1
7	10602	WASHER, FLAT 1/4 SAE ZINC	2
8	10015	NUT, HEX LOCK 1/4-20 ZINC	1
9	41061	HOSE 5/16"ID X 12"L, GMS/MS-20	2
10	11721	BARBED FITTING, "Y" 5/16"HOSE	1
11	10763	CLAMP, HOSE, SPRING-BAND 7/16"	8
12	41116	HOSE 5/16"ID X 50"L, MS-20	1
13	10309	SCREW, CAP 3/8-24 X 1-1/4 ZINC	1
14	10025	WASHER, FLAT 3/8 SAE ZINC	2
15	10004	NUT, HEX LOCK 3/8-24 ZINC	1
16	10364	BOLT, CARRIAGE 3/8-16 X 2 GRADE 5	1
17	10040	WASHER, GARRET 17/32 X 1 X .054	1
18	10025	WASHER, FLAT 3/8 SAE ZINC	1
19	10011	SPACER, STEEL 5/8OD X 3/8ID X 3/8T	1
20	40044	NUT, TAIL HANDLE 3/8-16	1
21	10810	NUT, HEX LOCK 3/8-16 ZINC	1
22	41117	PUMP, WATER, 230 VAC, SUBMERSIBLE	1
23	41118	PLUG, STRAIGHT 15A/250V NEMA 6-15P	1
24	10739	BARB, 5/16 HOSE X 1/4 FPT	1

EdcoParts.com

888-634-4289

An iBuy Stores Company

ILLUSTRATION 7: MOTOR GROUPING



EdcoParts.com
888-634-4289

An iBuy Stores Company

PARTS LISTING - ILLUSTRATION 7: MOTOR GROUPING

ITEM #	PART #	DESCRIPTION	QTY.
1	81026 81022 16002	MOTOR, BALDOR 5HP-1PH 60HZ 3450RPM 230V, 19.5 FLA (SHOWN) 5HP-3PH-60HZ-3450RPM 230/460V, 12/6 FLA 7.5HP-3P 60HZ 3450RPM 230/460V, 17.4/8.7 FLA	1
2*	10790	CONDUIT LOCK NUT 1/2 NP (LOCATED INSIDE WIRING BOX)	1
3*	40066	STRAIN RELIEF 1/2NPT X .350-.450"	1
4*	41129	WIRE HARNESS 16/3 X 15"LOA, MS-20	1
5*	41119	CONNECTOR, STR. 15A/250V 6-15R	1
6	10740	CONDUIT LOCK NUT 3/4 NP (LOCATED INSIDE WIRING BOX)	1
7	10605	STRAIN RELIEF 3/4NPT X .650-.750"	1
8	41053	STRAIN RELIEF 1/2NPT X .625-.750"	2
9	41125 41126	WIRE HARNESS SJOOW 300V (STARTER TO MOTOR) 10/3 X 50" (SINGLE PHASE) 10/4 X 50" (THREE PHASE)	1
10	41127 41128	WIRE HARNESS SJOOW 300V (POWER CORD) 10/3 X 50" (SINGLE PHASE) 10/4 X 50" (THREE PHASE)	1
11*	40037	PLUG, LOCKING 20A/250V L6-20P (SINGLE PHASE ONLY)	1
12*	40000	CONNECTOR, LOCKING 20A/250V L6-20C (SINGLE PHASE ONLY)	1
13	41124	CLAMP, CONDUIT 1/2"PIPE (13/16")	2
14	10982	TIE, CABLE, BLACK NYLON 11-1/4"	3
15	16410 16405 16406 16408 16617 16618 16622 16623 16632 16633 16635 16637	STARTER ACI #128826 200/240V COIL 17.5-21.5A O/L STARTER ACI #128841 200/240V COIL 11.3-16A O/L STARTER ACI #128847 440/480V COIL 5.5-7.5A O/L STARTER ACI #128848 440/480V COIL 7.2-10A O/L REPLACEMENT PARTS: STARTER CONT./COIL ACI SK18.310-230 STARTER CONT./COIL ACI SK18.310-460 STARTER AC COIL 200/240V-60HZ STARTER AC COIL 440/480V-60HZ STARTER OVERLOAD RELAY 5.5-7.5 AMP STARTER OVERLOAD RELAY 7.2-10.0 AMP STARTER OVERLOAD RELAY 11.3-16.0 AMP STARTER OVERLOAD RELAY 17.5-21.5 AMP	1 1 1 1 1 1 1 1 1 1 1 1
16	41134	MOUNT, ACI STARTER, MS-20	1
17	11732 10384	SCREW, MACHINE 10-32 X 1-3/4 RHP SCREW, MACHINE 10-32 X 1 RHP	2 1
18	10832	NUT, KEPS LOCK 10-32 ZINC	3
19	10053	SCREW, CAP 5/16-18 X 3/4	2
20	10801	WASHER, LOCK 5/16 ZINC	2
21	10213	WASHER, FLAT 5/16 SAE ZINC	2
*NOTE/ THESE ITEMS ARE NOT INCLUDED ON THREE-PHASE UNITS.			

DECAL SHEET 1



GMS & MS 20 14 x 17
P/N 92222-1 RevA

CALIFORNIA PROPOSITION 65 WARNING
The engine exhaust from this product contains chemicals known to the State of California to cause cancer, birth defects or other reproductive harm.



Disengage
water pump
when
cutting dry

THROTTLE

CHECK OIL DAILY

exceeds 85dBA

SINGLE PHASE

THREE PHASE

230 VOLTS



GREASE BEARINGS
DAILY

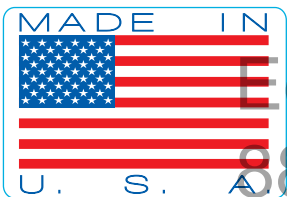


Frederick, Maryland

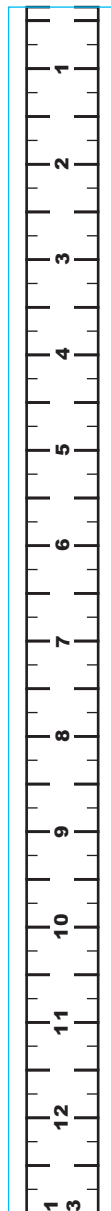
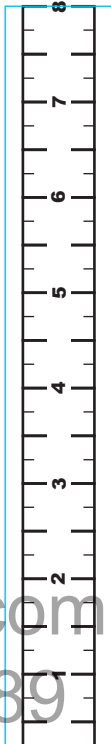


USA

With Pride



YOU MUST READ OPERATOR'S INSTRUCTION MANUAL BEFORE OPERATING



RENTAL-TOUGH

BrickKOT-R

Eddo Parts.com
888-634-289

An iBuy Stores Company

DECAL SHEET 2

GMS & MS 20 14 x 11
P/N 92222-2_RevA



EdcoParts.com

888-634-4289

An iBuy Stores Company