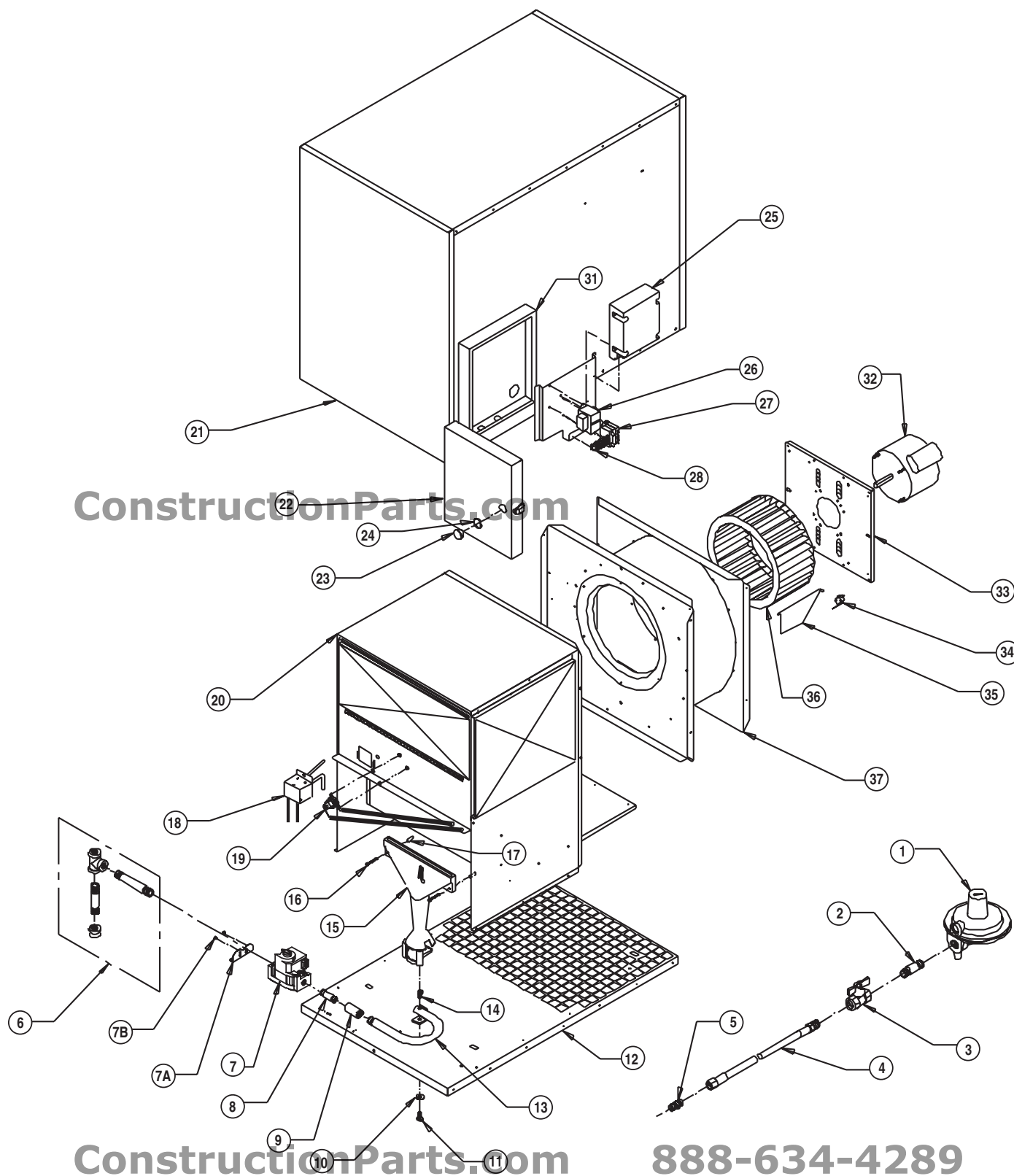


Parts Identification

GreenGro 220
Model HD220D

888-634-4289

PARTS SCHEMATIC



ConstructionParts.com

888-634-4289

PARTS LIST

<u>Item</u>	<u>Description</u>	<u>Part Number</u>
1	Regulator, LP Gas	06553
	Regulator, Natural Gas	23360
2	Nipple, 1/2 x 3 1/2 in.	07148
3	Valve, Manual Shut Off	05548
4	Hose, 1/2 x 10 ft., Rigid x Swivel	20714
5	Adapter, Hose, 1/2 NPT x 1/2 NPS	02894
6	Kit, Sediment Trap	00815
7	Valve, Gas Control, LP Gas	23837
	Valve, Gas Control, Natural Gas	23838
7A	Bracket	21768
7B	Screw	09425
8	Nipple, 1/2 x 3 1/2 in.	07148
9	Coupling	03130
10	Washer	01589
11	Bolt	02692
12	Base	23522
13	Manifold, U-shape	09019
14	Orifice, LP Gas	23471
	Orifice, Natural Gas	23470
15	Burner	21781
16	Screw	02688
17	Spacer	02687
18	Igniter/Sensor Assembly	23780
19	Switch, High Limit	05566
20	Heat Chamber	23473
21	Case Assembly, w/ Doors & Latches ⁽¹⁾	23853
22	Cover, Control Box w/ Hinge & Latch	23897
23	Plug, Window	08255
24	O-Ring	08347
25	Ignition Control	24900
26	Transformer	08684
27	Relay, Motor	08685
28	Terminal Strip	08253
31	Control Box Back, w/ Clasp	23845
32	Motor	115 Volt 24799 230 Volt 08635
33	Mount, Motor	08647
34	Switch, Air Proving	02680
35	Sail Flapper	08658
36	Fan Wheel	08636
37	Fan Housing, w/ Flapper, Air Proving Switch, & Motor Mount	115 Volt 24951 230 Volt 08798

(1) Specify fuel type when ordering.

(2) Complete control box assembly with all control components is part number 23855.

(3) Screw part number 07288 (#8 x 3/8) is the standard fastener used for assembly of all sheet metal components.