

PARTS AND OPERATION MANUAL

MULTIQUIP Model GA-6RZR2 A.C. GENERATOR

Revision #5 (09/16/05)

TABLE OF CONTENTS

Here's How To Get Help	3
Table Of Contents	4
Parts Ordering Procedures	5
Rules For Safe Operation	6
Operation and Safety Decals	7
Specifications	8
General Information	9

Multiquip GA-6RZR2— AC Generator

Controls and Indicators	10
Installation	11
Pre-Setup	12-13
Instrumentation	14
Load Application	15
Operating Instructions	16
Maintenance	17
Preparation For Long Term Storage	18
Wiring Diagram	19
Troubleshooting (Engine)	20-21
Troubleshooting (Generator)	22-23
Explanation Of Codes In Remarks Column	24
Suggested Spare Parts	25
Generator Assembly	26-27
Control Box Assembly	28-29
Pipe Frame Assembly	30-31
Name Plate And Decals	32-33

ROBIN EH-34YD Engine

Crankcase Assembly	34-35
Crankshaft & Piston Assembly	36-37
Intake Exhaust Assembly	38-39
Governor Assembly	40-41
Cooling & Recoil Starter Assembly	42-43
Carburetor Assembly	44-45
Electric Coil Assembly And Spark Plug	46-47
Oil Level Sensor & Solenoid Assembly	48-49

Terms and Conditions Of Sale — Parts	50
--	----

OPERATION AND SAFETY DECALS

Machine Safety Decals

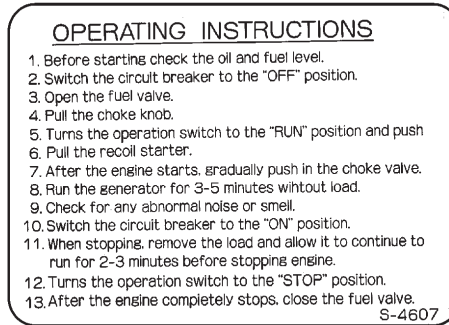
The GA-6RZR2 portable generator is equipped with a number of safety decals. These decals are provided for operator safety and maintenance information. The illustration below shows these decals as they appear on the machine. Should any of these decals become unreadable, replacements can be obtained from your dealer.



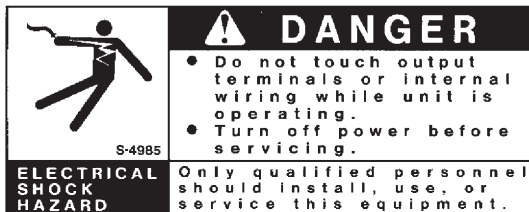
P/N 797900631402



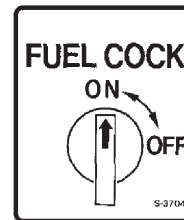
P/N 7900636004



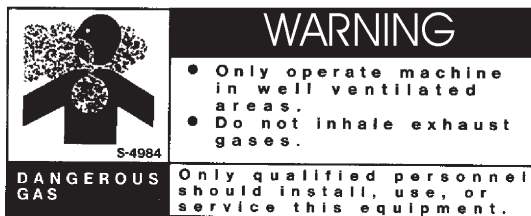
P/N 7900638204



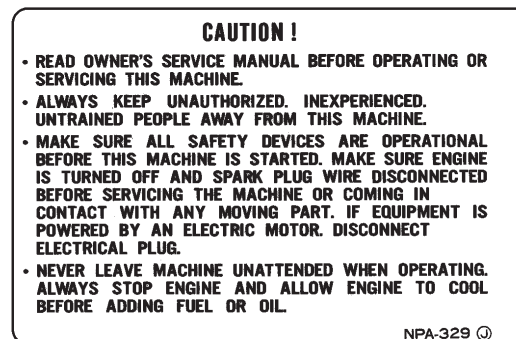
P/N 8700611904



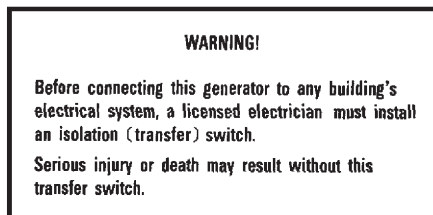
P/N 1980680004



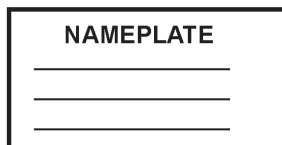
P/N 8700611804



P/N 920203290



P/N 0820610404



CONTACT MULTIQUIP SERVICE DEPT.



P/N 0800628504

GA-6RZR2—SUGGESTED SPARE PARTS

GA-6RZR2 WITH ROBIN EH-34DS ENGINE

1 to 5 Units

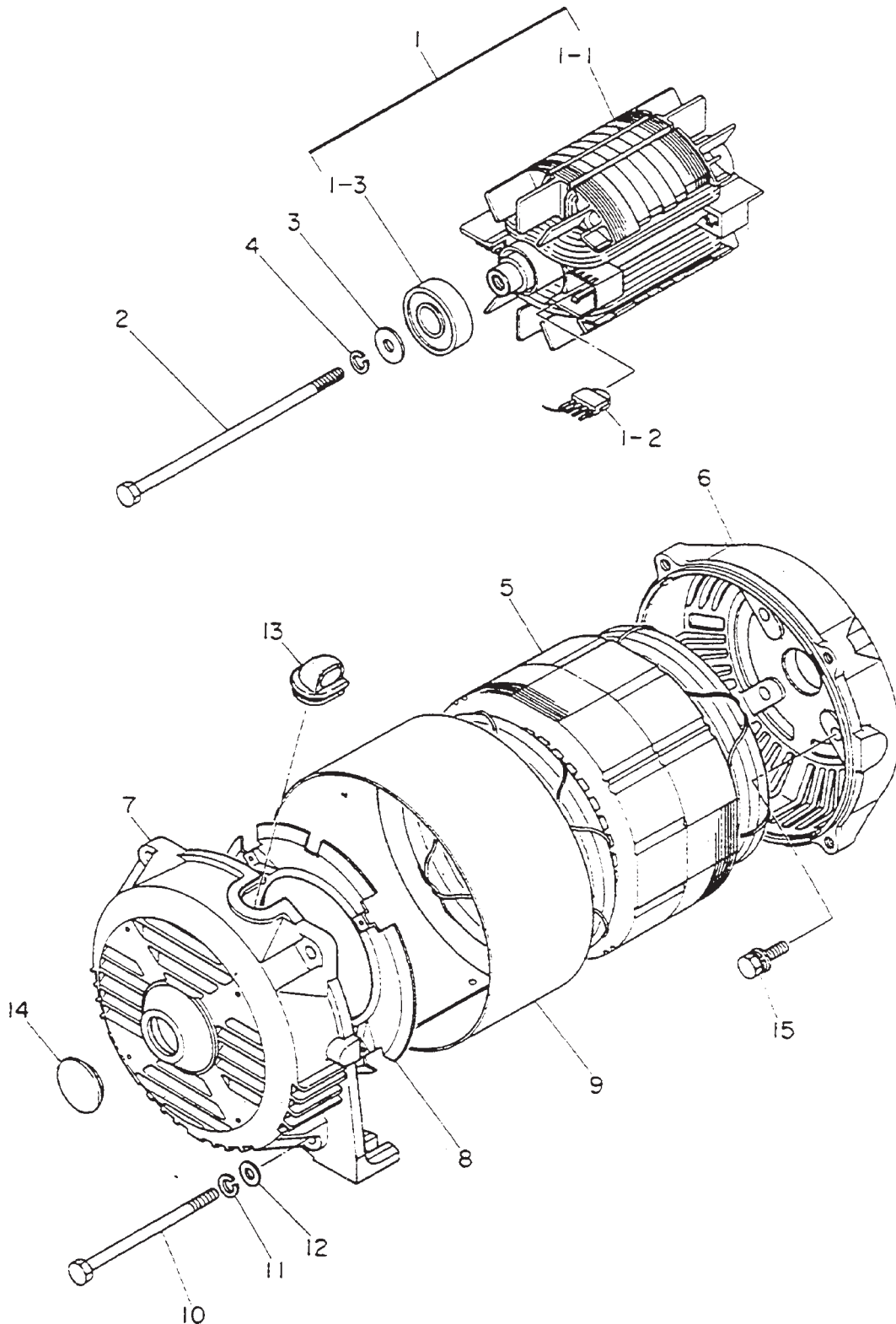
Qty.	P/N	Description
1	0601804819	CIRCUIT BREAKER
1	0601812597	RECEPTACLE, GFCI
1	0601811035	RECEPTACLE, 125V, 30A
1	0601811032	RECEPTACLE, 250V, 20A
3	0601823204	RECTIFIER
2	0642009000	STRAINER, FUEL
2	0810107103	FILTER, FUEL
1	0810106004	CAP, FUEL TANK
5	2462360107	ELEMENT, AIR CLEANER
5	0650140100	SPARK PLUG

5 to 10 Units

Qty.	P/N	Description
2	0601804819	CIRCUIT BREAKER
2	0601812597	RECEPTACLE, GFCI
2	0601811031	RECEPTACLE, 125V, 30A
2	0601811032	RECEPTACLE, 250V, 20A
6	0601823204	RECTIFIER
4	0642009000	STRAINER, FUEL
4	0810107103	FILTER, FUEL
3	0810106004	CAP, FUEL TANK
2	3015419004	SUSPENSION RUBBER
4	7855419014	SUSPENSION RUBBER
10	2462360107	ELEMENT, AIR CLEANER
5	0650140100	SPARK PLUG
1	0601823853	SLOW DOWN UNIT
1	0601800258	AC VOLMETER
2	0601830737	FULL POWER SWITCH
2	0601830727	IDLE CONTROL SWITCH
1	0602123555	OIL ALARM LAMP
1	KS31101301	OIL LEVEL SENSOR ASSY.
1	2467820121	IGNITION COIL
1	2476231500	CARBURETOR ASSY.

GA-6RZR2— GENERATOR ASSY.

GENERATOR ASSY.



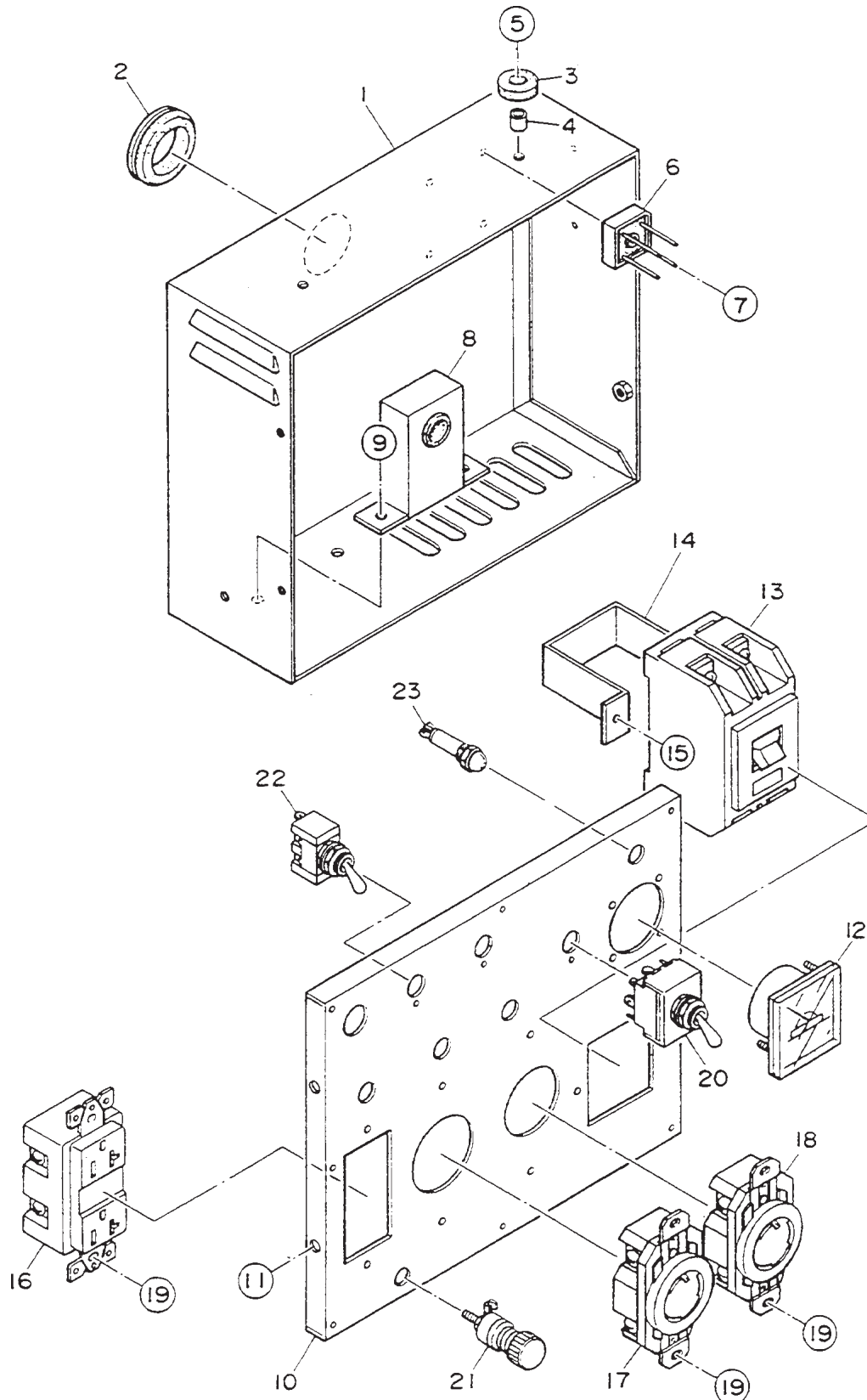
GA-6RZR2— GENERATOR ASSY.

GENERATOR ASSY.

<u>NO</u>	<u>PART NO</u>	<u>PART NAME</u>	<u>QTY.</u>	<u>REMARKS</u>
1	7901000503	ROTOR ASSY.....	1	INCLUDES ITEMS W/*
1-1*	7871080003	FIELD COIL	1	
1-2*	0601823207	RECTIFIER.....	2	D3SB60,S
	0601822638	SURGE ABSORBER.....	2	TNR15G431K
1-3*	0071706304	BEARING.....	1	6304 2RUNYCM
2	7871017004	SET BOLT, ROTOR	1	
3	0801086104	SET WASHER, BEARING	1	
4	0040010000	SPRING WASHER	1	
5	7901340603	ARMATURE ASSY.	1	
6	7901315202	END BRACKET	1	
7	7871315022	END BRACKET	1	
8	7875021513	GUIDE PANEL, AIR	1	
9	7871331003	COVER	1	
10	7871344204	SET BOLT, STATOR	4	
11	0040008000	SPRING WASHER	4	
12	0041208000	PLAIN WASHER	4	
13	7871329514	GROMMET	1	
14	0601851760	CAP	1	
15	0017108020	HEX. HEAD BOLT	4	

GA-6RZR2—CONTROL BOX ASSY.

CONTROL BOX ASSY.



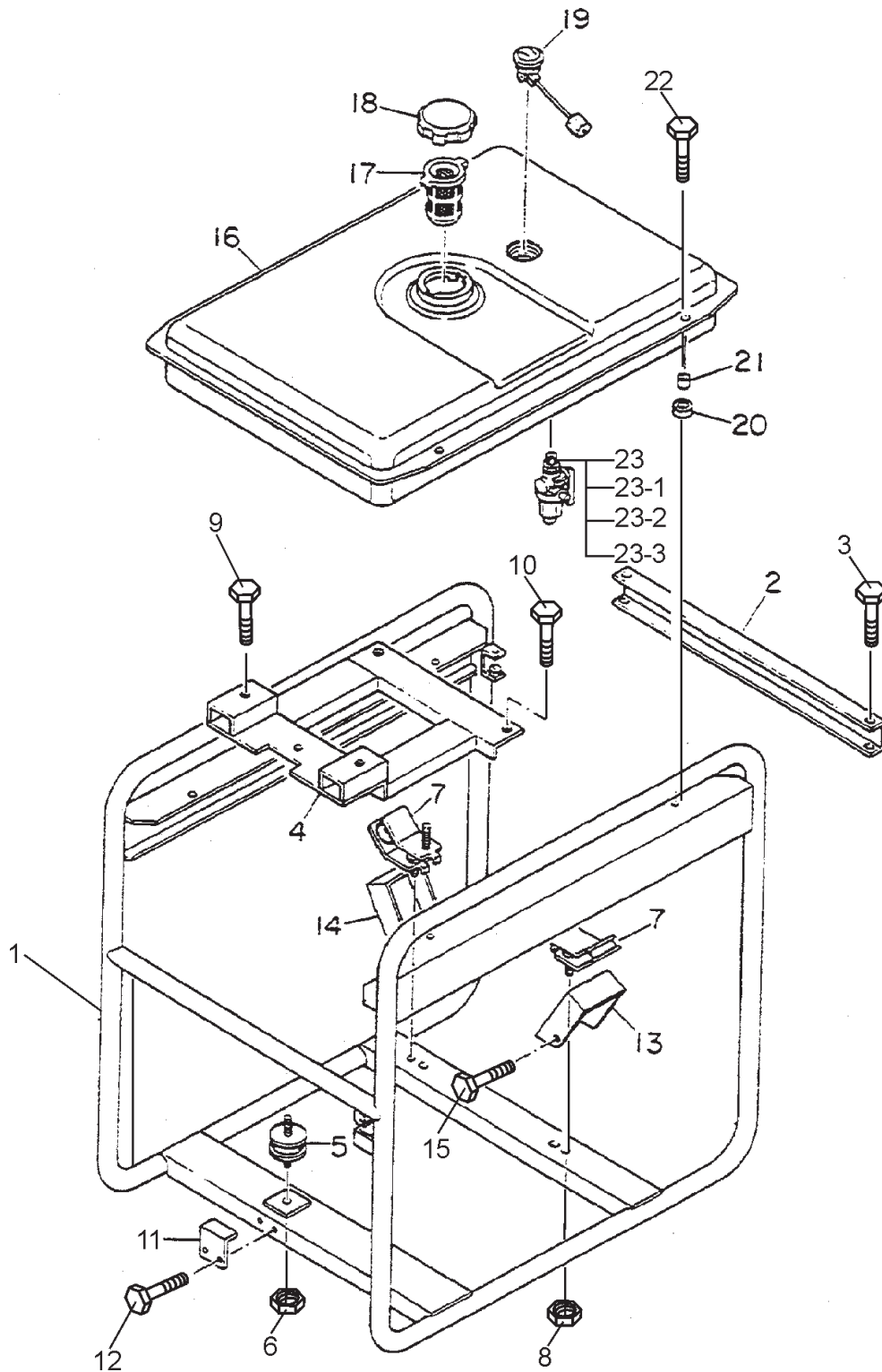
GA-6RZR2— CONTROL BOX ASSY.

CONTROL BOX ASSY.

<u>NO</u>	<u>PART NO</u>	<u>PART NAME</u>	<u>QTY.</u>	<u>REMARKS</u>
1	7901810303	CONTROL BOX	1	
2	0601850102	GROMMET	1	G-3
3	0805088004	RUBBER CUSHION	2	
4	0805088304	COLLAR	2	
5	0017106020	HEX. HEAD BOLT	2	
6	0601823204	RECTIFIER	2	S5VB60
7	0027103020	MACHINE SCREW	2	
8	0601823853	SLOW DOWN UNIT	1	ND-80
9	0027104010	MACHINE SCREW	2	
	003000400	HEX. NUT	2	REPLACES 0038404000
10	7911820413	CONTROL PANEL	1	
11	5585	HEX. HEAD BOLT	4	REPLACES 0017105010
12	0601800258	AC VOLTMETER	1	0~120V, 0~240V
13	0601804819	CIRCUIT BREAKER	1	KM-2 21A
14	4341817004	BRACKET CIRCUIT BREAKER	1	
15	0027504010	MACHINE SCREW	2	
16	0601812597	RECEPTACLE	1	5-20R, GF-5352
17	0601811035	RECEPTACLE	1	L5-30R, 125V 30A
18	0601811032	RECEPTACLE	1	L6-20R, 250V 20A
19	0027504010	MACHINE SCREW	6	
	003000400	HEX. NUT	6	REPLACES 0038404000
20	0601830737	FULL POWER SWITCH	1	ET330D12
21	0601815109	GROUNDING TERMINAL	1	T -381
22	0601830727	IDLE CONTROL SWITCH	1	ET115A12
23	0602123555	OIL ALARM LAMP	1	06-106PR

GA-6RZR2—PIPE FRAME ASSY.

PIPE FRAME ASSY.



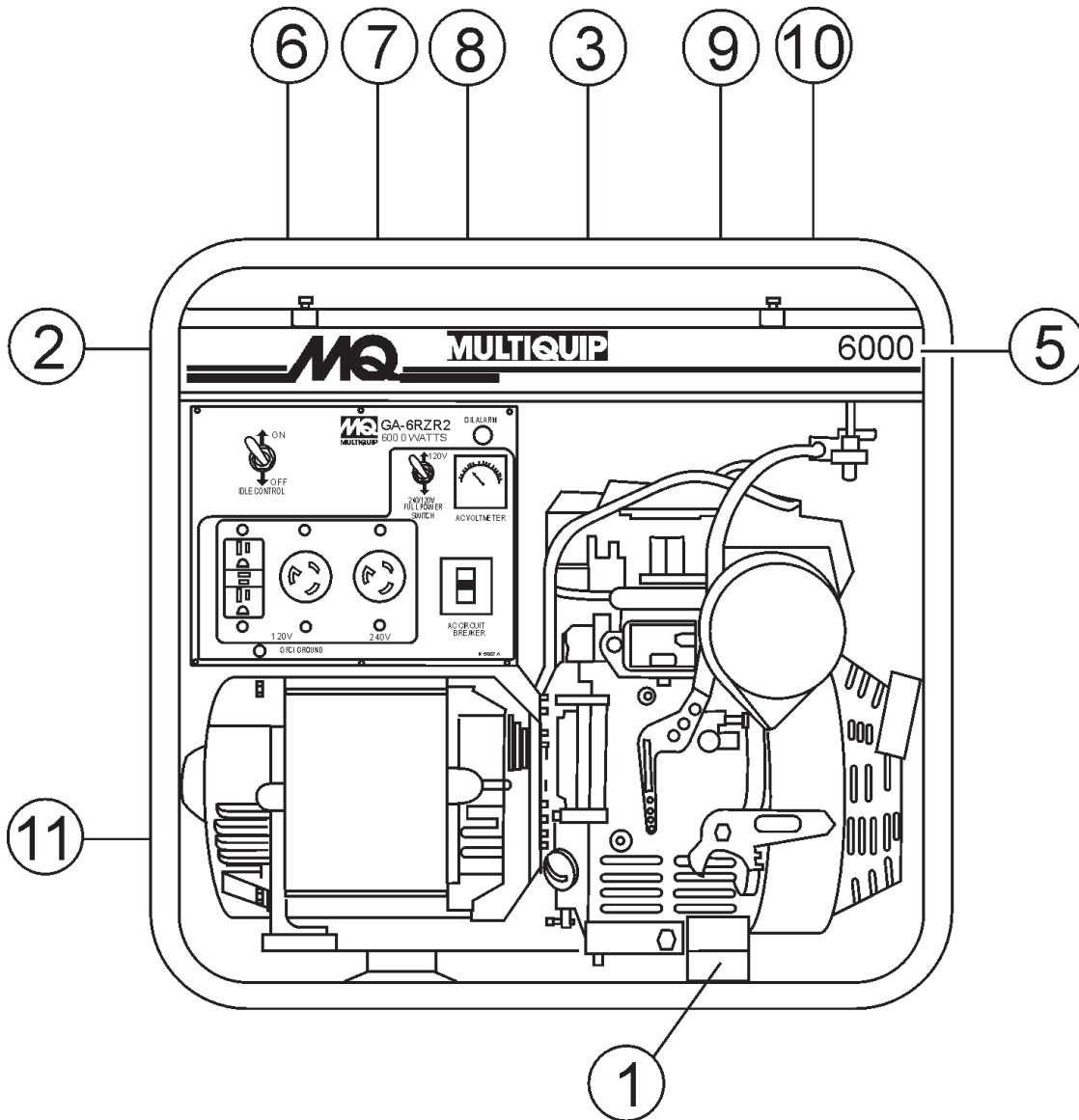
GA-6RZR2— PIPE FRAME ASSY.

PIPE FRAME ASSY.

<u>NO</u>	<u>PART NO</u>	<u>PART NAME</u>	<u>QTY.</u>	<u>REMARKS</u>
1	7905412202	PIPE FRAME	1	
2	7905414104	BRACKET	1	
3	0017106016	HEX. HEAD BOLT	4	
4	7905442103	BASE	1	
5	3015419004	RUBBER SUSPENSION	1	
6	0023808000	HEX. NUT	2	REPLACES 0038408000
7	1665419004	RUBBER SUSPENSION	2	
8	020108060	HEX. NUT	4	REPLACES 0207008000
9	011208030	HEX. HEAD BOLT	2	
	0023808000	HEX. NUT	2	
10	0017108040	HEX. HEAD BOLT	2	
	002308000	HEX. NUT	2	REPLACES 0038408000
11	7905456014	STOPPER	1	
12	0017106016	HEX. HEAD BOLT	2	
13	7915455003	COVER	1	
14	7915455103	COVER	1	
15	0017106016	HEX. HEAD BOLT	1	
16	7905512102	FUEL TANK	1	
17	0810107103	FUEL FILTER	1	
18	0810106004	CAP	1	
19	0602125031	FUEL GAUGE	1	
20	7855525514	RUBBER CUSHION	4	
21	7855525604	COLLAR	4	
22	0017108030	HEX. HEAD BOLT	4	
23	0642009000	FUEL STRAINER	1	INCLUDES ITEMS W/#, REPLACES 0605510025
	0521070042	JOINT	1	REPLACES 0605512561
23-1#	0642000220	SCREEN	1	
23-2#	0642000230	RUBBER PACKING	1	
23-3#	0642001910	CUP	1	

GA-6RZR2 — NAME PLATE AND DECALS

NAME PLATE AND DECALS

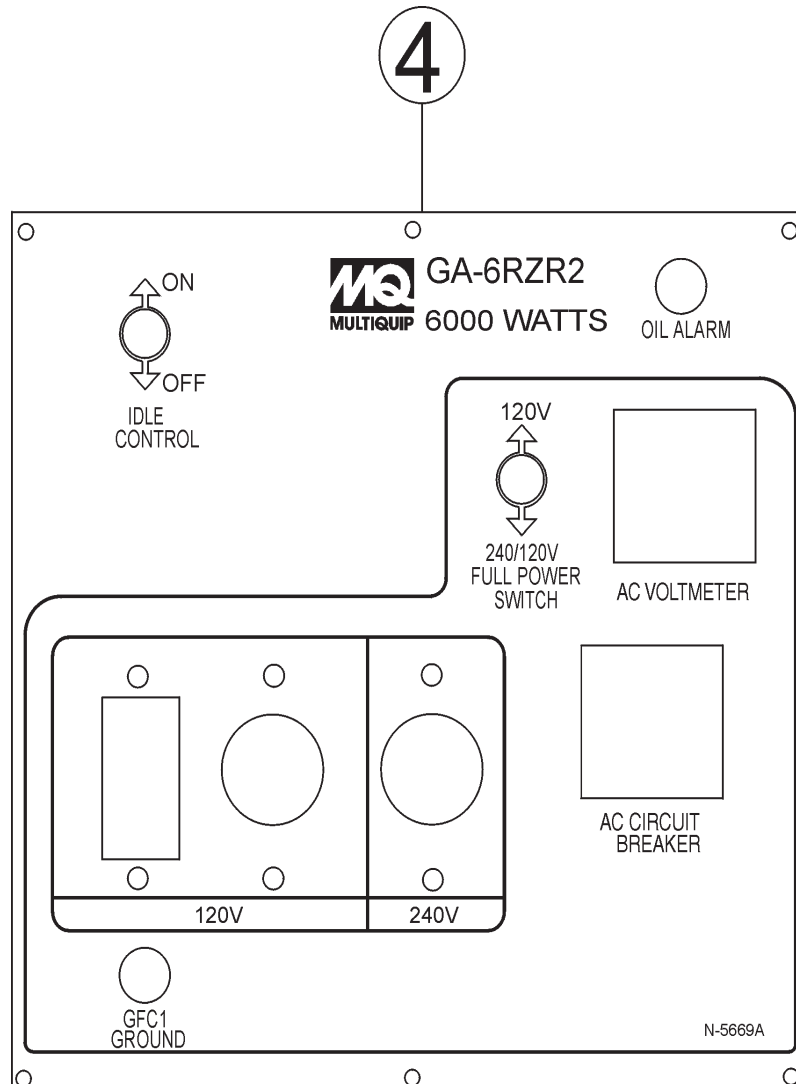


GA-6RZR2 — NAME PLATE AND DECALS

NAME PLATE AND DECALS

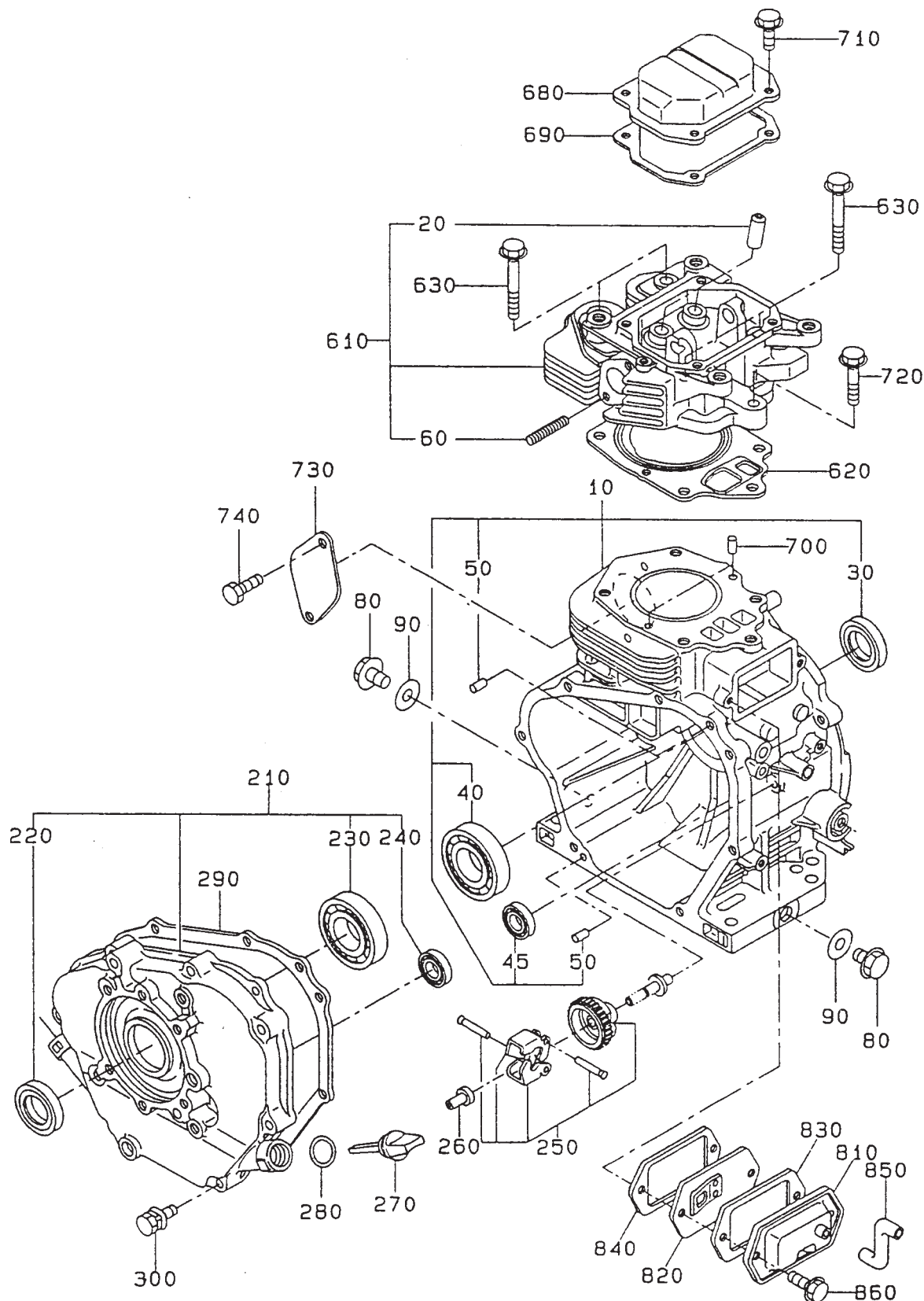
NO	PART NO	PART NAME	QTY.	REMARKS
1*	0800628504	DECAL : GROUND	1	S-1123
2*	1980680004	DECAL : FUEL COCK	1	S-3704
3*	7900638204	DECAL : OPERATING INSTRUCTIONS	1	S-4605
4*	7900501102	DECAL : MQ GA-6RZR2	1	N-5669A
5*	7900631402	DECAL : MQ 6000	1	S-5179
6*	920203290	DECAL : CAUTION	1	NPA-329
7*	0820610404	DECAL : WARNING	1	
8*	7900636004	DECAL : OPERATE AT 3600 RPM ONLY	1	S-4461
9*	8700611804	DECAL : WARNING	1	S-4984
10*	8700611904	DECAL : DANGER	1	S-4985
11		PLATE, SERIAL NO.	1 CONTACT MQ SERVICE DEPT. W/MODEL & S/N
	DCLGA6RZR2	KIT, DECAL	1 INCLUDES ITEMS W/*

SEE DECAL ILLUSTRATIONS ON PAGE 7.



ROBIN EH-34 ENGINE — CRANKCASE ASSY.

CRANKCASE ASSY.



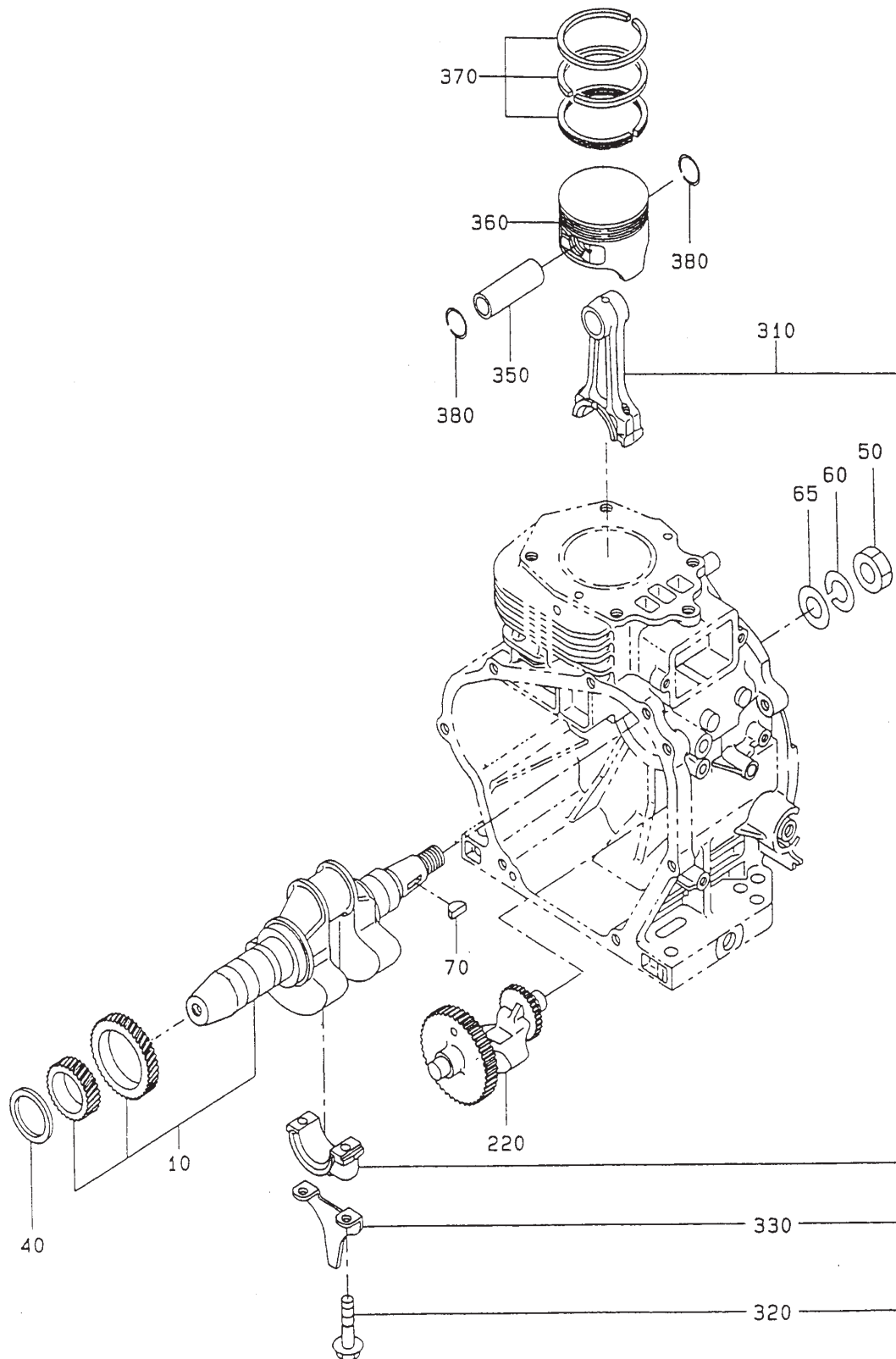
ROBIN EH-34 ENGINE — CRANKCASE ASSY.

CRANKCASE ASSY.

<u>NO</u>	<u>PART NO</u>	<u>PART NAME</u>	<u>QTY.</u>	<u>REMARKS</u>
10	2471010221	CRANKCASE CP	1	INCLUDES ITEMS W/*
20+	2461420203	VALVE GUIDE	2	OVER SIZE
30*	0440350090	OIL SEAL	1	35X48X8
40*	040006207	BALL BEARING	1	BB6207C3 REPLACES 0600350010
45*	0600150010	BALL BEARING	1	BB6202C3
50*	0310060020	DOWEL PIN	2	
60+	0105080430	STUD	2	
80	0401140030	PLUG	2	
90	0211140020	GASKET	2	
210	2461100141	MAIN BEARING COVER	1	INCLUDES ITEMS W/#
220#	0440350090	OIL SEAL	1	35X48X8
230#	040006207	BALL BEARING	1	BB6207C3 REPLACES 0600350010
240#	0600150010	BALL BEARING	1	BB6202C3
250	2464500101	GOVERNOR GEAR CP	1	
260	2054190103	GOVERNOR SLEEVE	1	
270	2246360107	OIL GAUGE	1	REPLACES 2246360103
280	0213200010	GASKET	1	
290%	2461510103	GASKET, BEARING COVER	1	
300	0011308400	BOLT AND WASHER ASSY.	7	
610	2471300301	CYLINDER HEAD CP	1	INCLUDES ITEMS W/+ REPLACES 2471300131
620%	2471500113	GASKET, HEAD	1	
630	0110100040	FLANGE BOLT	4	
680	2461550102	ROCKER COVER UN	1	
690%	2461600203	GASKET, ROCKER COVER	1	
700	0310060020	DOWEL PIN	2	
710	0110060020	FLANGE BOLT	4	
720	0110100020	FLANGE BOLT	1	
730	2241710103	BLIND COVER	1	
740	0016508120	BOLT	2	
810	2461430101	BREATHER COVER CP	1	
820	2461440101	BREATHER PLATE CP	1	
830	2461600603	GASKET, BREATHER COVER	1	
840	2461600703	GASKET, BREATHER PLATE	1	
850	2461080103	RUBBER PIPE	1	
860	0110060030	FLANGE BOLT	2	
960	2479900207	GASKET SET	1	INCLUDES ITEMS W/% REPLACES 2479900107

ROBIN EH-34 ENGINE — CRANKSHAFT & PISTON ASSY.

CRANKSHAFT & PISTON ASSY.



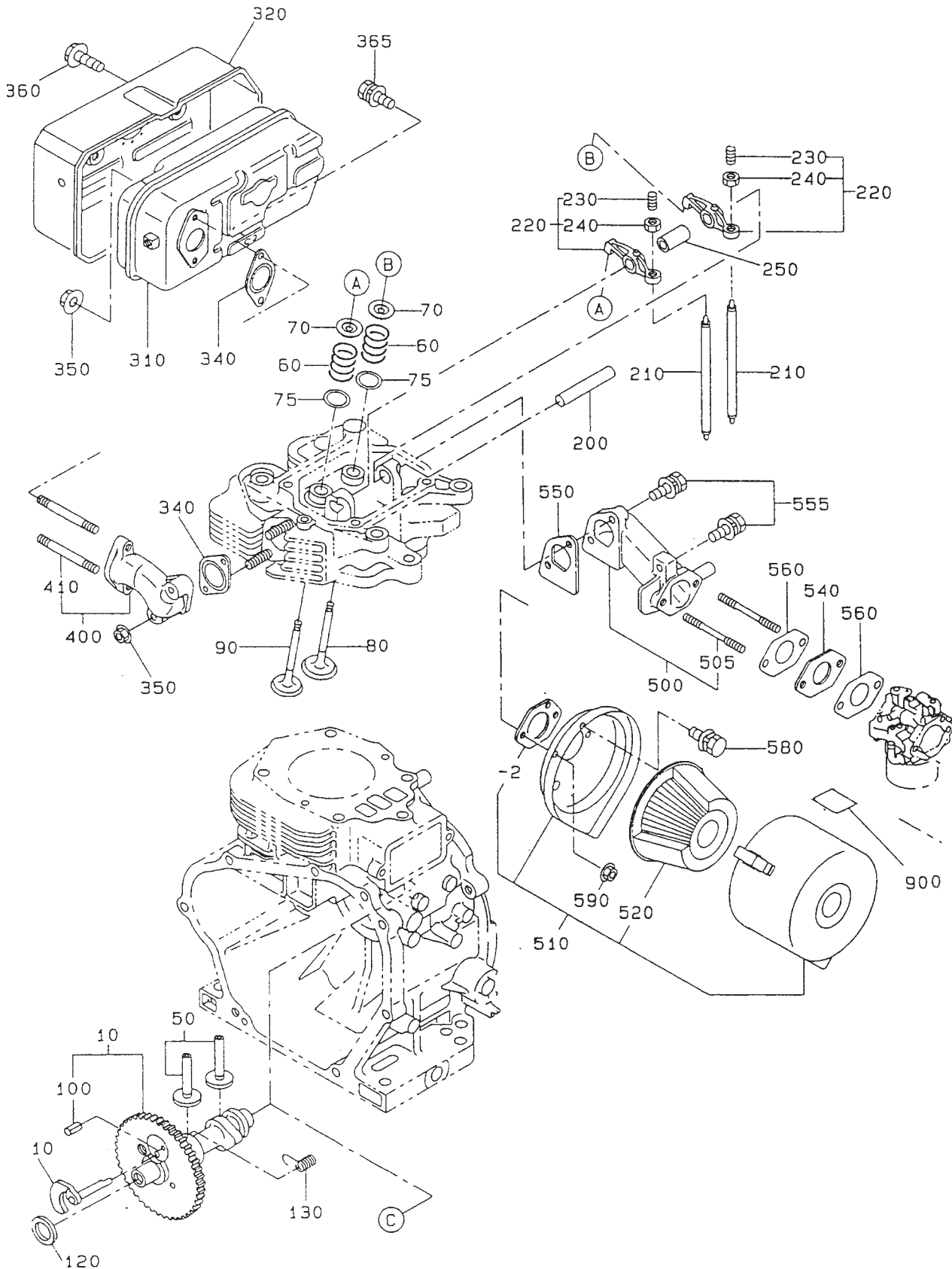
ROBIN EH-34 ENGINE — CRANKSHAFT & PISTON ASSY.

CRANKSHAFT & PISTON ASSY.

<u>NO</u>	<u>PART NO</u>	<u>PART NAME</u>	<u>QTY.</u>	<u>REMARKS</u>
10	2462070201	CRANKSHAFT CP	1	
40	0230350160	SPACER.....	1	SELECTIVE ASSY T=0.6
	0230350170	SPACER.....	1	SELECTIVE ASSY T=0.8
	0230350180	SPACER.....	1	SELECTIVE ASSY T=1.0
50	0021818000	NUT	1	
60	0032018000	SPRING WASHER	1	
65	0031018000	WASHER	1	
70	0053205401	WOODRUFF KEY	1	
220	2462410223	BALANCER SHAFT	1	
310	2462250100	CONNECTING ROD ASSY.	1	INCLUDES ITEMS W/*
320*	2462300103	CONNECTING ROD BOLT	2	
330*	2462310113	OIL SCRAPER	1	
350	2462330103	PISTON PIN	1	
360	2472340113	PISTON.....	1	STD.
	2472340213	PISTON.....	1	OVER SIZE 0.25MM
	2472340313	PISTON.....	1	OVER SIZE 0.50MM
370	2472350117	PISTON.....	1	STD.
	2472350217	PISTON.....	1	OVER SIZE 0.25MM
	2472350317	PISTON.....	1	OVER SIZE 0.50MM
380	0565210020	CLIP, PISTON PIN	2	

ROBIN EH-34 ENGINE — INTAKE EXHAUST ASSY.

INTAKE EXHAUST ASSY.



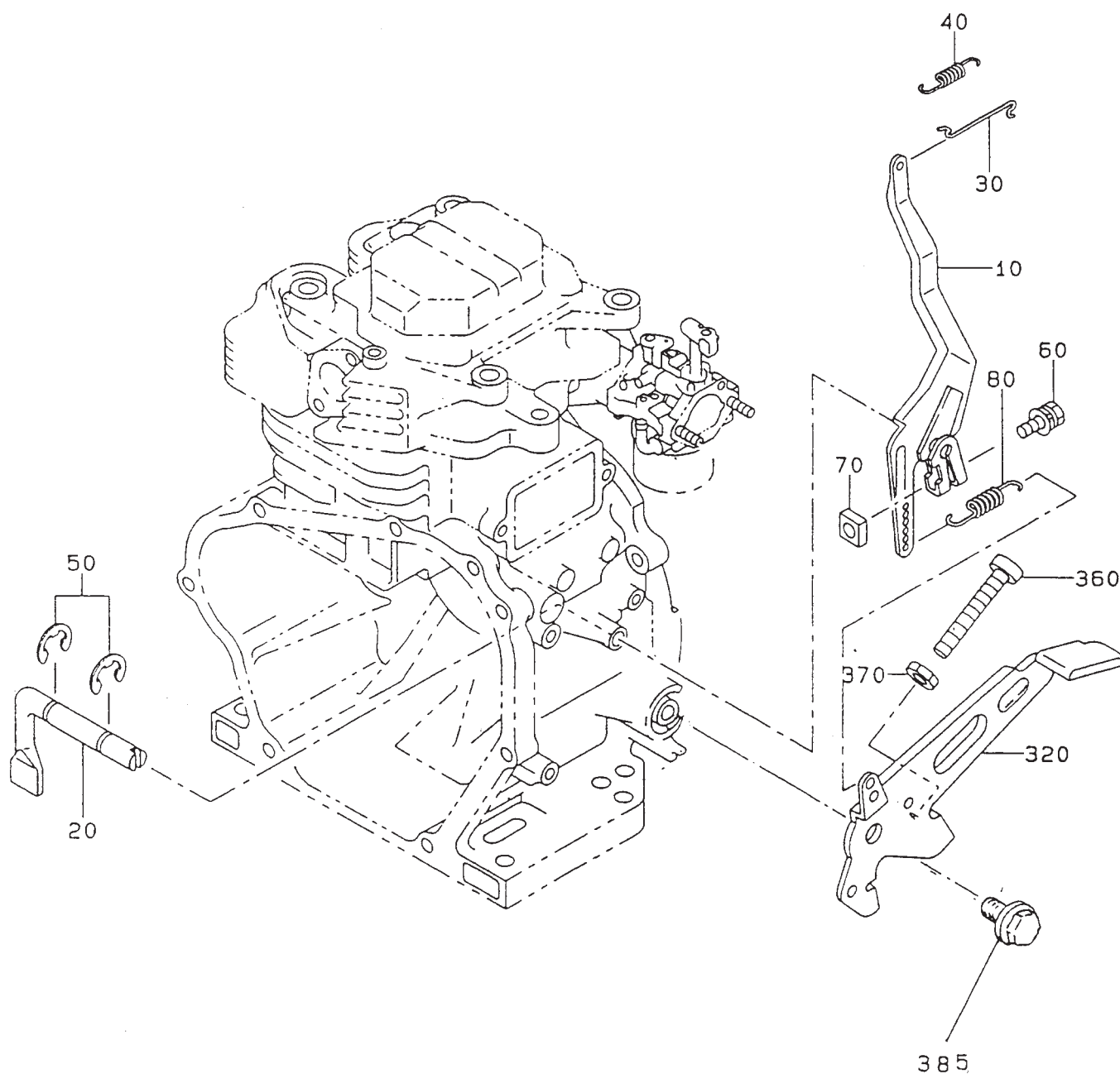
ROBIN EH-34 ENGINE — INTAKE EXHAUST ASSY.

INTAKE EXHAUST ASSY.

<u>NO</u>	<u>PART NO</u>	<u>PART NAME</u>	<u>QTY.</u>	<u>REMARKS</u>
10	2463170101	CAMSHAFT CP	1	INCLUDES ITEMS W/#
50	2463330103	TAPPET	2	
60	2463360103	VALVE SPRING	2	
70	2463370113	SPRING RETAINER	2	
75	0200200010	WASHER	2	
80	2463341103	INTAKE VALVE	1	REPLACES 2463340103
90	2463350103	EXHAUST VALVE	1	
100#	0051904100	SPRING PIN	1	
110	2463620101	RELEASE LEVER CP	1	
120	0230220050	SPACER	1	SELECTIVE ASSY T=0.6
	0230220060	SPACER	1	SELECTIVE ASSY T=0.7
	0230220070	SPACER	1	SELECTIVE ASSY T=0.8
130	2463670103	RETURN SPRING	1	
200	2393500103	ROCKER SHAFT	1	
210	2463530111	PUSH ROD CP	2	
220	2463610110	ROCKER ARM ASSY.	2	INCLUDES ITEMS W/+
230+	0149080021	ADJUSTING SCREW	2	
240+	0170080090	NUT	2	
250	2463612003	SPACER, ROCKER SHAFT	1	REPLACES 2463612013
310	2463010121	MUFFLER CP	1	
320	2463420121	MUFFLER COVER CP	1	
340	2463520103	GASKET, MUFFLER	2	
350	0110060050	FLANGE NUT	4	REPLACES 0180080010
360	0110060010	FLANGE BOLT	3	
365	0011108160	BOLT AND WASHER ASSY.	1	
400	2463400101	EXHAUST PIPE CP	1	INCLUDES ITEMS W/%
410%	0105080360	STUD	2	
500	2463300101	INTAKE PIPE CP	1	INCLUDES ITEMS W/■
505■	0105060230	STUD	1	
510	2543260210	AIR CLEANER ASSY.	1	INCLUDES ITEM W/*
510-2*	2343600308	PACKING	1	
520*	2343260707	ELEMENT SET	1	
540	2463290103	INSULATOR	1	
550	2463600113	GASKET, IN. PIPE	1	
555	0011308300	BOLT AND WASHER ASSY.	3	
560	2343590203	GASKET 2, INSULATOR	2	
580	0016606120	BOLT AND WASHER ASSY.	1	REPLACES 0011006120
590	0023706000	FLANGE NUT	2	REPLACES 0023806000
900	0732000150	LABEL, SHUTTER	1	

ROBIN EH-34 ENGINE — GOVERNOR ASSY.

GOVERNOR ASSY.



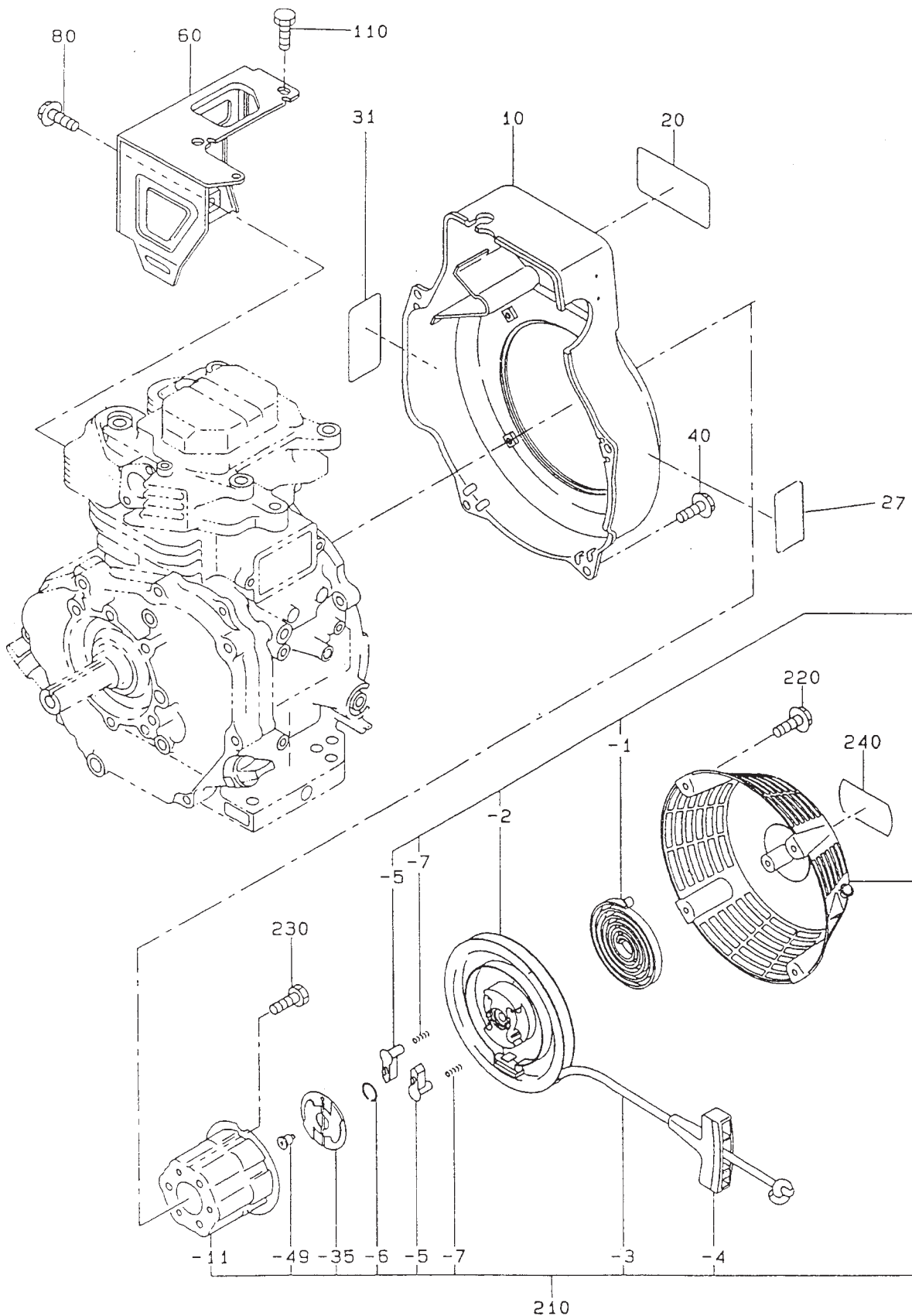
ROBIN EH-34 ENGINE — GOVERNOR ASSY.

GOVERNOR ASSY.

<u>NO</u>	<u>PART NO</u>	<u>PART NAME</u>	<u>QTY.</u>	<u>REMARKS</u>
10	2464230401	GOVERNOR LEVER CP	1	
20	2464220113	GOVERNOR SHAFT	1	
30	2344270301	GOVERNOR ROD CP	1	
40	2464280113	ROD SPRING	1	
50	0031306000	CLIP	2	
60	0011406250	BOLT AND WASHER ASSY.	1	
70	0186060020	NUT	1	
80	2464250123	GOVERNOR SPRING	1	
320	2464330111	SPEED CONTROL CP	1	
360	0043105350	SCREW, PANHEAD	1	
370	0022705000	NUT	1	
385	0011008160	BOLT & WASHER ASSY.	1	

ROBIN EH-34 ENGINE — COOLING & RECOIL STARTER ASSY.

COOLING & RECOIL STARTER ASSY.



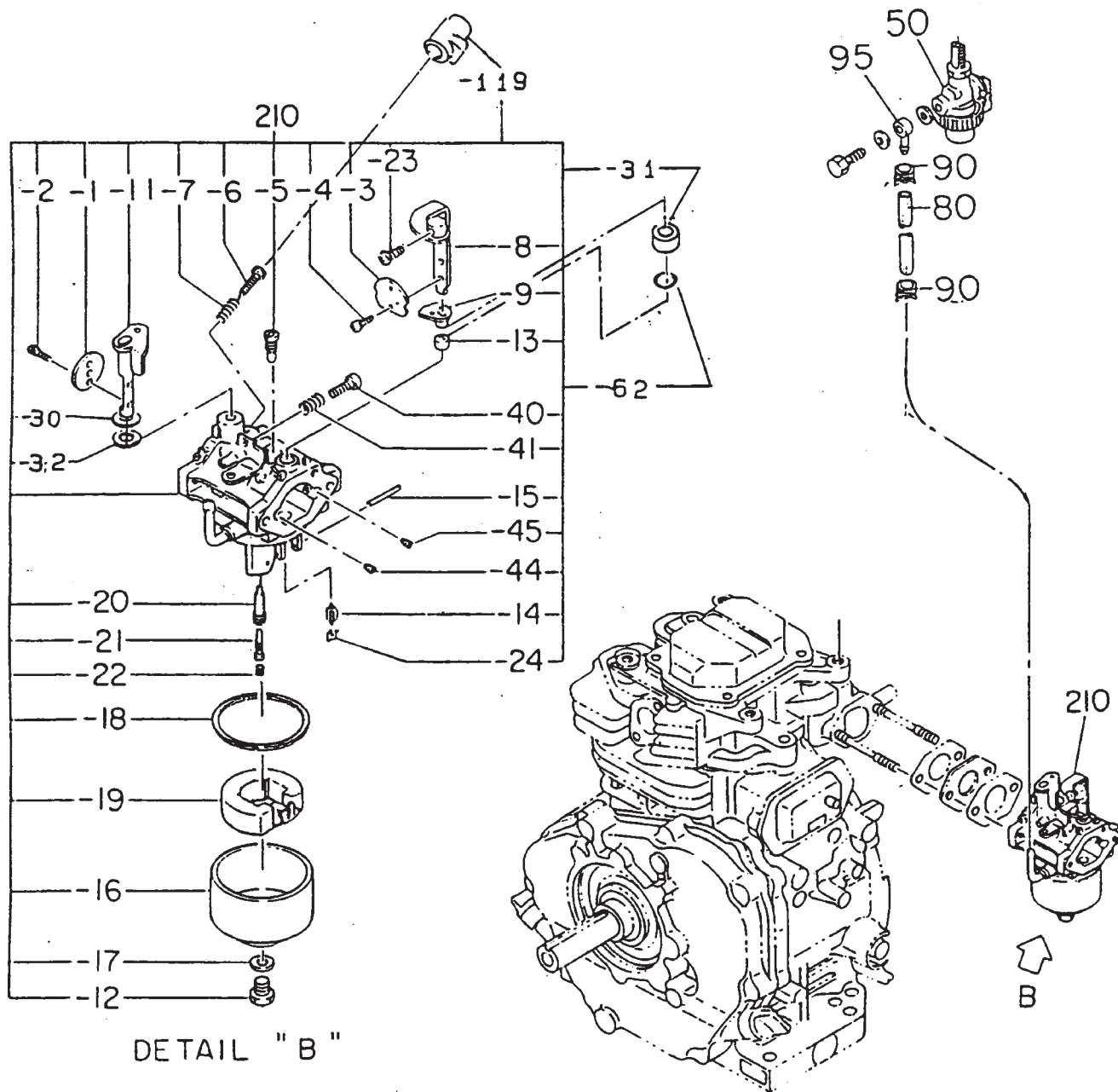
ROBIN EH-34 ENGINE — COOLING & RECOIL STARTER ASSY.

COOLING & RECOIL STARTER ASSY.

<u>NO</u>	<u>PART NO</u>	<u>PART NAME</u>	<u>QTY.</u>	<u>REMARKS</u>
10	2465120301	BLOWER HOUSING CP	1	
20	2479170303	LABEL, TRADE MARK	1	
27	0732003900	LABEL, WARNING	1	
31	2479520103	LABEL, EMISSION CONT	1	
40	0110060010	FLANGE BELT	4	
60	2465270112	CYLINDER BAFFLE UN	1	
80	0110060050	FLANGE BOLT	2	REPLACES 0110060010
110	0016510160	BOLT	2	
210	2465020120	RECOIL STARTER ASSY.	1	INCLUDES ITEMS W/ *
210-1*	2465011508	SPIRAL SPRING	1	
210-2*	2465012008	REEL	1	
210-3*	2355011008	STARTER ROPE	1	
210-4*	2365010108	STARTER KNOB	1	
210-5*	2465012508	RATCHET	2	
210-6*	2465013008	FRICTION SPRING	1	
210-7*	2275013508	RETURN SPRING	2	
210-11*	2465014708	STARTER PULLY	1	
210-35*	2465016008	RATCHET GUIDE	1	
210-49*	2275015208	SET SCREW	1	
220	0110060050	FLANGE BOLT	4	REPLACES 0110060010
230	0016508120	BOLT	3	
240	0732004350	LABEL, OHV MARK	1	

ROBIN EH-34 ENGINE — CARBURETOR ASSY.

CARBURETOR ASSY.



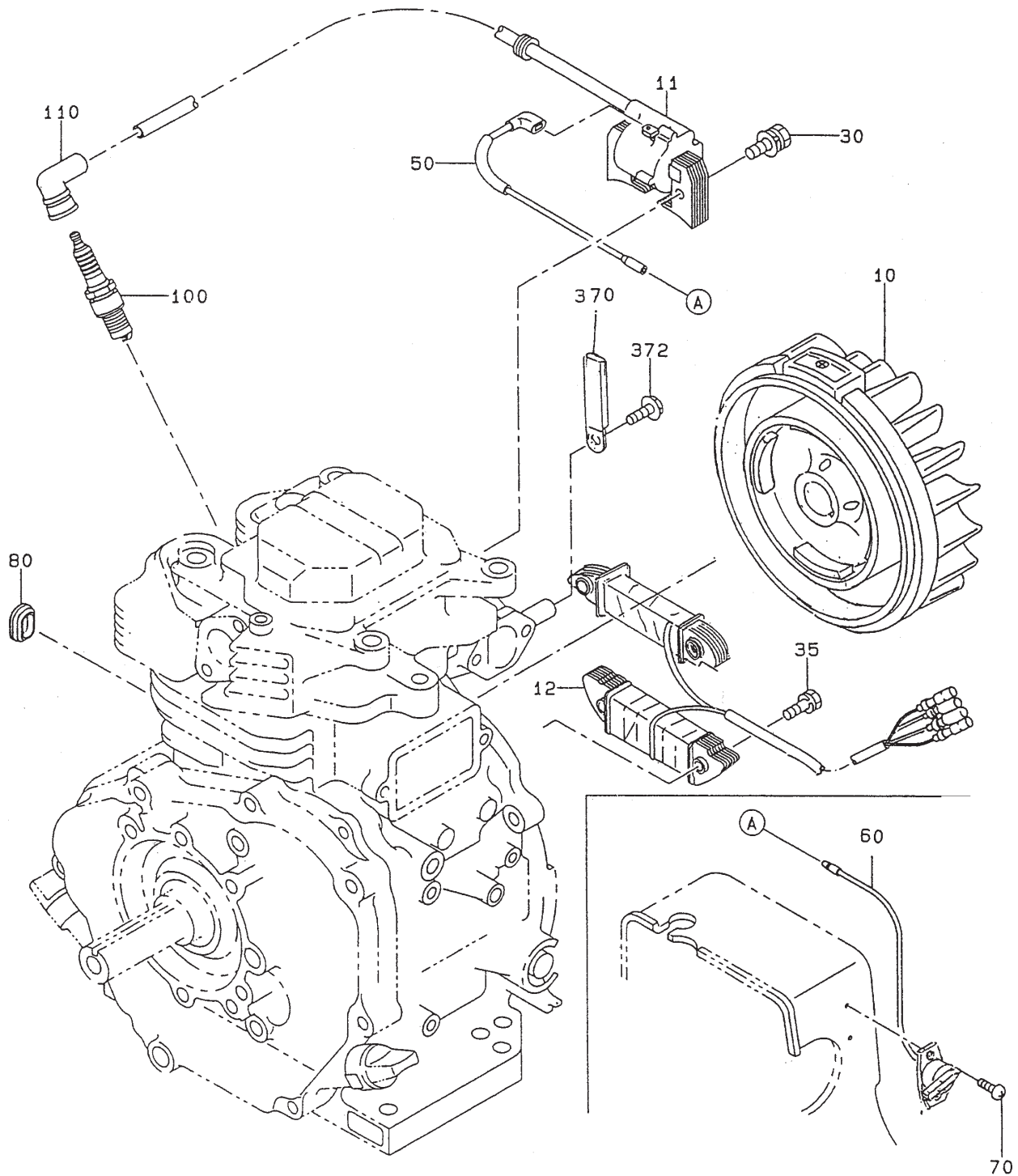
ROBIN EH-34 ENGINE — CARBURETOR ASSY.

CARBURETOR ASSY.

NO	PART NO	PART NAME	QTY.	REMARKS
50	0642009000	FUEL STRAINER ASSY.	1	FOR COMPONENTS SEE PAGE 31
80	0851060230	RUBBER PIPE	1	REPLACES 0851060000
90	0561110020	HOSE CLAMP	2	
95	0521070042	BANJO	1	
210	2476231500	CARBURETOR ASSY.....	1	INCLUDES ITEMS W/ *
210-1*	2136253508	THROTTLE VALVE	1	
210-2*	2096235108	SCREW	2	
210-3*	2346252508	CHOKE VALVE	1	
210-4*	2376245108	SCREW	1	
210-5*	2476242008	PILOT JET	1	
210-6*	2466243608	PILOT SCREW	1	
210-7*	2096244508	SPRING	1	
210-8*	2346252008	LEVER ASSY., CHOKE	1	
210-9*	2396256008	RING	1	
210-11*	2466253108	THROTTLE SHAFT, ASSY.	1	
210-12*	2246254408	BOLT	1	
210-13*	2266255008	RING	1	
210-14*	2246231208	NEEDLE VALVE ASSY.	1	
210-15*	2146251508	PIN	1	
210-16*	2246255208	FLOAT CHAMBER BODY	1	
210-17*	2076234508	INSERT WASHER	1	
210-18*	2066254008	CHAMBER PACKING	1	
210-19*	2346250608	FLOT ASSY.	1	
210-20*	2466244108	MAIN NOZZLE	1	
210-21*	2466242508	GUIDE HOLDER	1	
210-22*	2466240208	MAIN JET	1	
210-24*	2246256908	CLIP	1	
210-32*	1066239208	SEAL	1	
210-40*	2466243508	ADJUST SCREW	1	
210-41*	2096244508	SPRING	1	
210-60*	1566235108	PACKING	1	
210-61*	2476255008	CAP, CHOKE	1	
210-62*	2366268008	SEAL	1	
210-119*	2466255108	CAP	1	

ROBIN EH-34 ENGINE — ELECTRIC COIL ASSY. AND SPARK PLUG

ELECTRIC COIL ASSY. AND SPARK PLUG



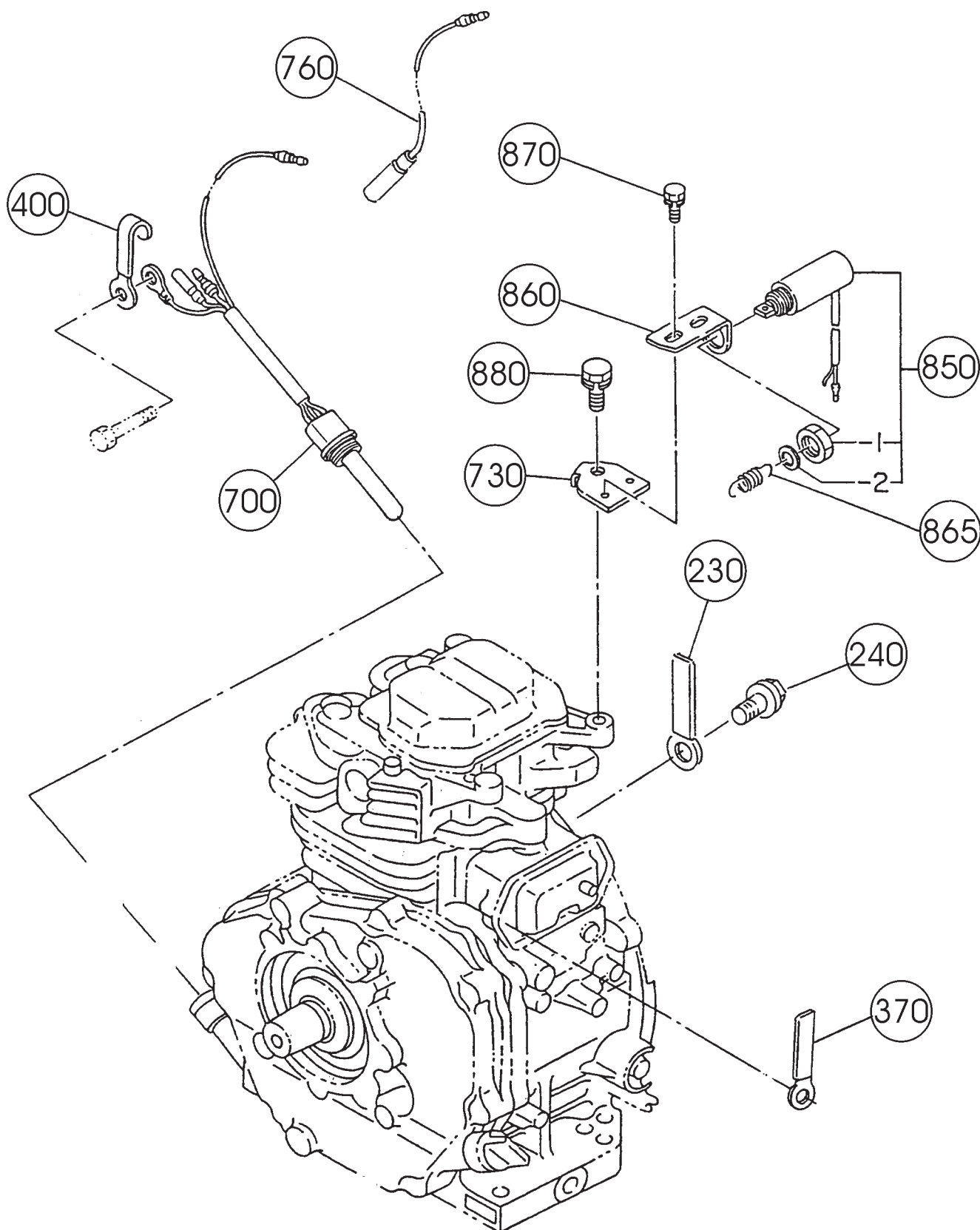
ROBIN EH-34 ENGINE — ELECTRIC COIL ASSY. AND SPARK PLUG

ELECTRIC COIL ASSY. AND SPARK PLUG

<u>NO</u>	<u>PART NO</u>	<u>PART NAME</u>	<u>QTY.</u>	<u>REMARKS</u>
10	2467720401	FLYWHEEL CP	1	
11	2467820121	IGNITION COIL CP	1	
12	2467920301	CHARGE COIL CP	1	
30	0011406300	BOLT AND WASHER ASSY.	2	
35	0043506200	SCREW & WASHER ASSY.	4	
50	2467310301	WIRE 3 CP	1	
60	0669900217	SWITCH ASSY.	1	REPLACES 0660000360
70	0150040090	TAPPING SCREW	2	
80	2267550103	GROMMET	1	
100	0650140100	SPARK PLUG	1	B-6ES
110	0655000051	SPARK PLUG CAP	1	
370	0566000250	CLAMP	2	
372	0110060010	FLANGE BOLT	1	

ROBIN EH-34 ENGINE — OIL LEVEL SENSOR & SOLENOID ASSY.

OIL LEVEL SENSOR & SOLENOID ASSY.



ROBIN EH-34 ENGINE — OIL LEVEL SENSOR & SOLENOID ASSY.

OIL LEVEL SENSOR & SOLENOID ASSY.

<u>NO</u>	<u>PART NO</u>	<u>PART NAME</u>	<u>QTY.</u>	<u>REMARKS</u>
230	2467550201	CLAMP CP	1	
240	0043106080	SCREW, PANHEAD	1	
370	0566000250	CLAMP CP	1	
400	0566000260	CLAMP	3	
700	KS31101301	OIL LEVEL SENSOR ASSY.	1	
730	2467600501	BRACKET, SOLENOID, 1 CP	1	
760	2467311801	WIRE 18 CP	1	
850	2277550100	SOLENOID ASSY.	1	
850-1*		NUT, HEX	1	CANNOT BE PURCHASED SEPERATELY
850-2*		WASHER, LOCK	1	CANNOT BE PURCHASED SEPERATELY
860	2467600701	BRACKET, SOLENOID, 2 CP	1	
865	2347820203	SPRING, SOLENOID	1	
870	0011106100	BOLT AND WASHER ASSY.	2	
880	0011310200	BOLT AND WASHER ASSY.	1	