

OPERATION AND PARTS MANUAL



**MODEL
MC44SH
MC44SE
CONCRETE MIXER
(HONDA GX120 SERIES GASOLINE ENGINES)**

Revision #10 (08/30/19)

THIS MANUAL MUST ACCOMPANY THE EQUIPMENT AT ALL TIMES.

TABLE OF CONTENTS

MC44S Concrete Mixer

Fuel and Chemical Exposure Warnings	2
Silicosis/Respiratory Warnings	3
Table of Contents.....	4
Training Checklist	6
Safety Information	7–12
Mixer Specifications/Noise and Vibration	13
Engine/Electric Motor Specifications	14
General Information.....	15
Basic Components (Mixer)	16
Engine Components.....	17
Electric Motor Components	18
Towing Guidelines	19
Safety Chain Connection.....	20
Inspection	21–22
Start-Up	23–24
Operation.....	25–26
Maintenance (Engine)	27–29
Maintenance (Mixer).....	30–33
Troubleshooting (Engine).....	34–35
Explanation of Code in Remarks Column.....	36
Suggested Spare Parts	37

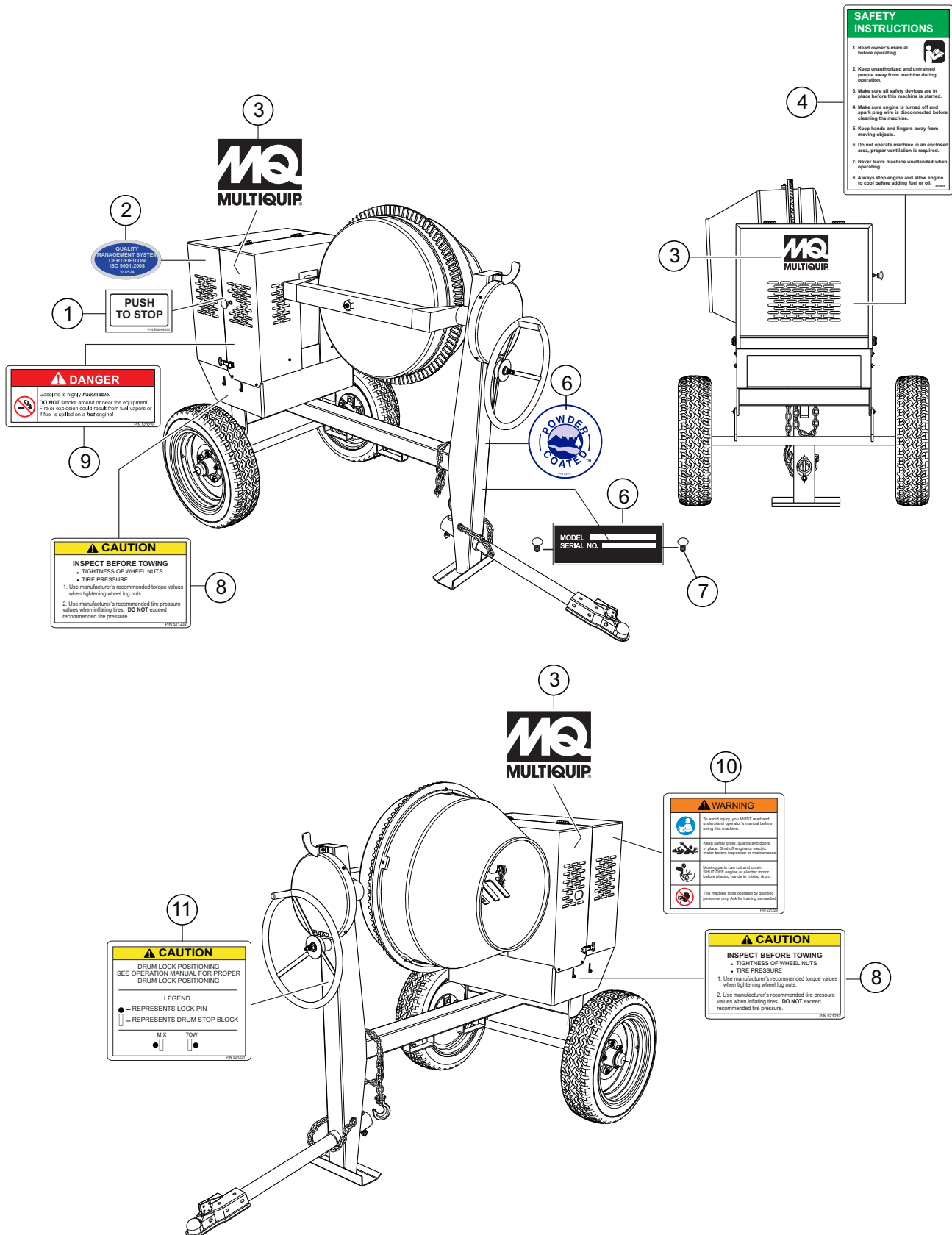
Component Drawings

Nameplate and Decals Assembly.....	38–39
Steel Barrel Assembly	40–41
Main Frame Assembly	42–43
Axle Assembly	44–45
Cabinet Assembly.....	46–47
Gas Engine Mounting Plate Assembly	48–49
Electric Motor Mounting Plate Assembly	50–51
Engine Service Parts.....	52–53

NOTICE

Specifications and part numbers are subject to change without notice.

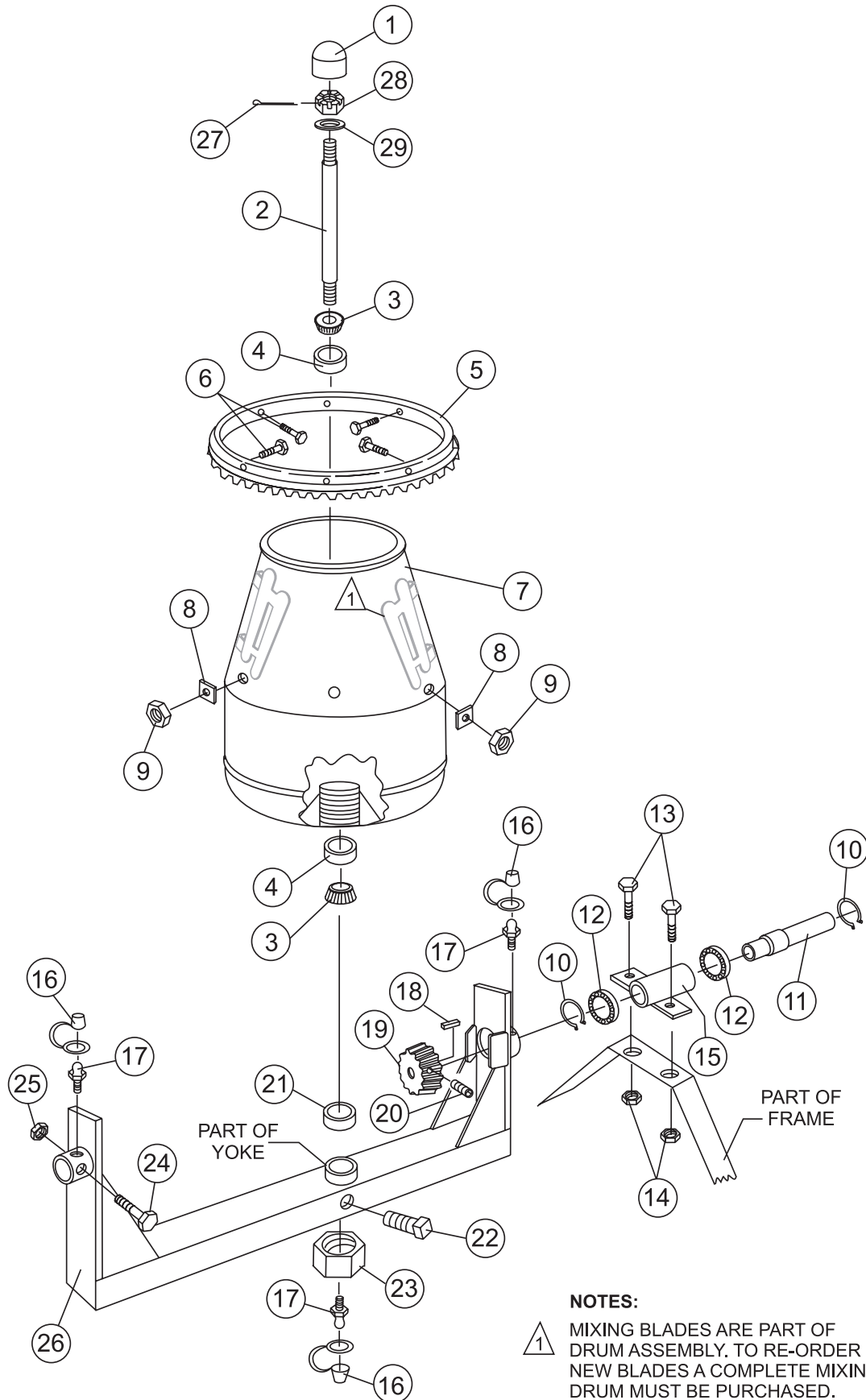
NAMEPLATE AND DECALS ASSY.



NAMEPLATE AND DECALS ASSY.

<u>NO.</u>	<u>PART NO.</u>	<u>PART NAME</u>	<u>QTY.</u>	<u>REMARKS</u>
1	948630	DECAL, PUSH TO STOP	1	
2	518524	DECAL, ISO 9001:2000, EXPORT	1	
3	512910	MQ MULTQUIP LOGO	3	
4	520935	DECAL, SAFETY INSTRUCTIONS	1	
5	13118	DECAL, POWDER COATED	1	
6		NAMEPLATE	1CONTACT MQ PARTS DEPT.
7	491757	POP RIVET	2	
8	521232	DECAL, TOWING INSTRUCTIONS	2	
9	521228	DECAL, DANGER NO SMOKING	2	
10	521229	DECAL, WARNING READ MANUAL	2	
11	521231	DECAL, DRUM LOCK POSITION	1	

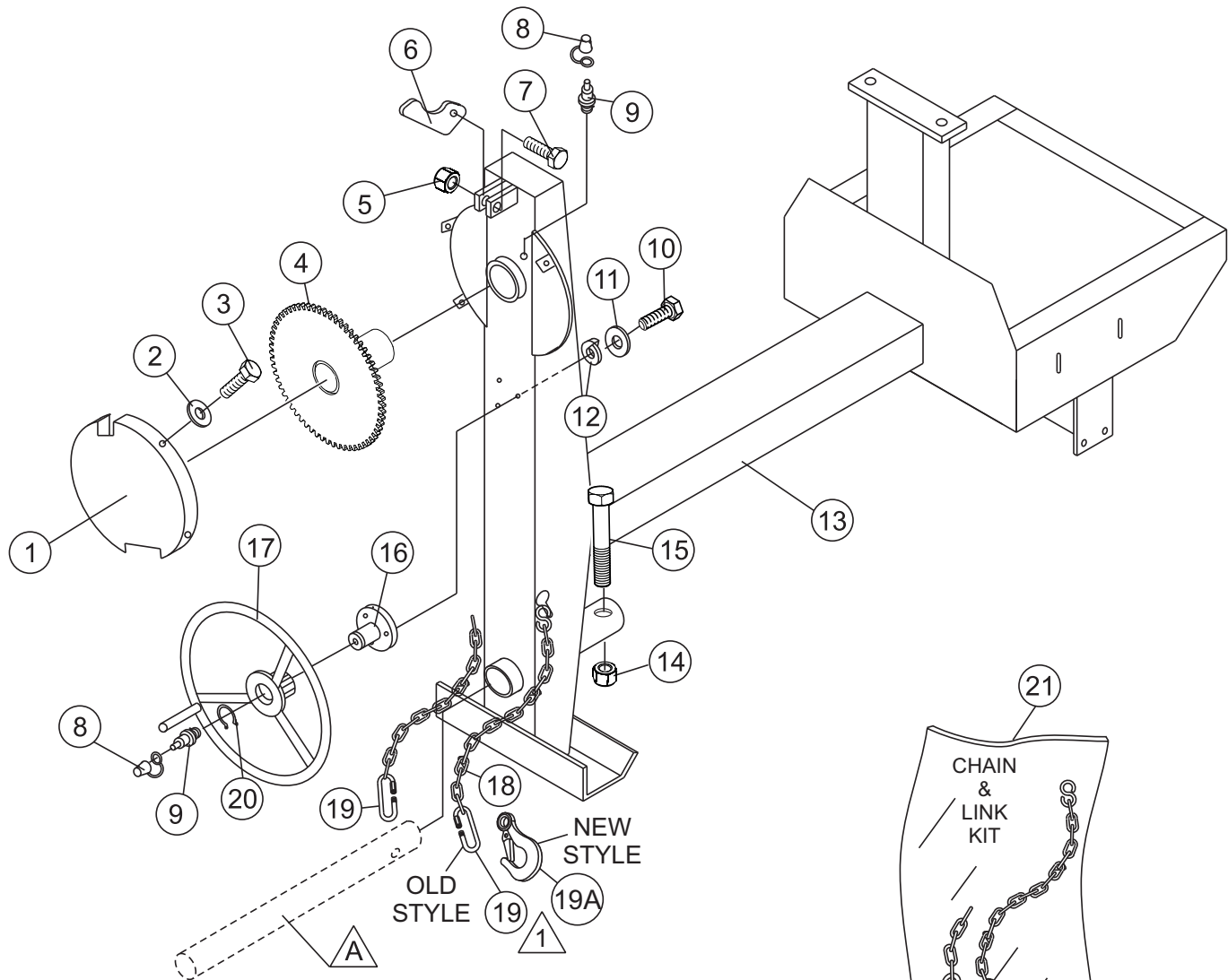
STEEL BARREL ASSY.



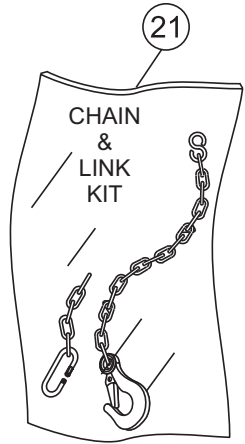
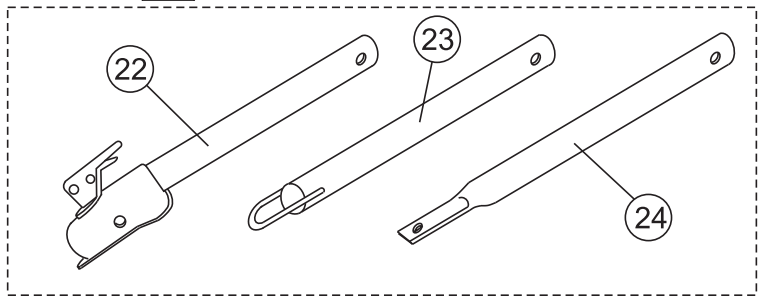
STEEL BARREL ASSY.

<u>NO.</u>	<u>PART NO.</u>	<u>PART NAME</u>	<u>QTY.</u>	<u>REMARK</u>
1	500904	CAP	1	
2	501867	KING PIN	1	
3	EM903054	SPINDLE BEARING 5/8" CONE.....	2.....	REPLACES 492154
4	EM903017	SPINDLE BEARING CUP.....	2.....	REPLACES 492233
5	504096	RING GEAR	1	
6	EM963610	BOLT 3/8" NC 1-1/4" G5	6	
7	501061	BARREL, STEEL 4 CU. FT.	1	
8	511732	SHIM 0.25 THICK	AR	
8	511731	SHIM .187 THICK	AR	
8	511730	SHIM .140 THICK	AR	
9	EM969013	NUT, LOCK 3/8" NC	5	
10	490952	RING, RETENTION	2	
11	502019	DRIVE PINION SHAFT	1	
12	493296	PINION SHAFT BEARING	2	
13	EM963692	BOLT 1/2" NC X 1-1/2" G5	2	
14	492584	LOCKNUT, HEX 1/2" NC	2	
15	514672	HOUSING JACKSHAFT	1	
16	491008	CAP, GREASE FITTING	3	
17	EM916001	GREASE FITTING 1/8" NPT	3.....	REPLACES 491698
18	500214	SQUARE KEY 1/4" X 30 MM	1	
19	501917	DRIVE PINION	1	
20	492467	ALLEN SCREW 5/16 NC 3/8"	1	
21	505680	SPACER, BARREL	1	
22	492483	SET SCREW 3/8" X 1- 1/4" NC	1	
23	500601	NUT, HEX LOWER 1"	1.....	REPLACES 492579
24	492406	BOLT 5/8" NC X 1-1/2" NC	2	
25	492584	LOCKNUT, HEX 1/2" NC	2	
26	510736	YOKE	1	
27	491685	COTTER PIN 3/32" X 2"	1	
28	500601	CASTLE NUT 1"	1	
29	501269	SPACER	1	

MAIN FRAME ASSY.



A OPTIONAL TOW BARS

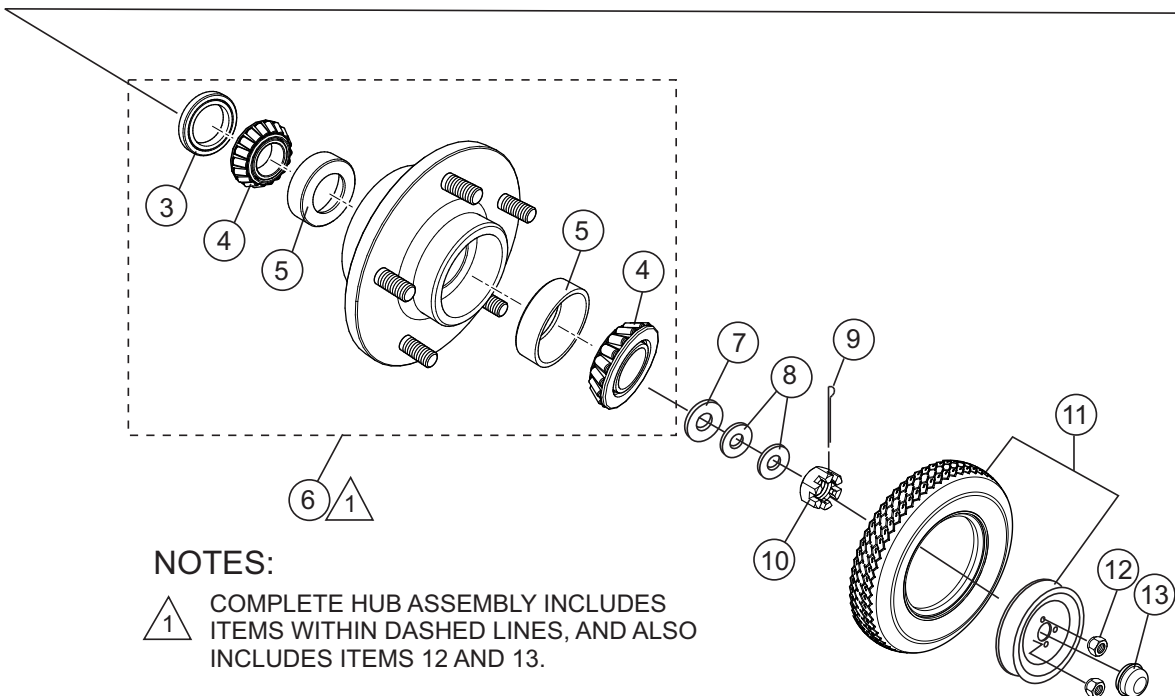
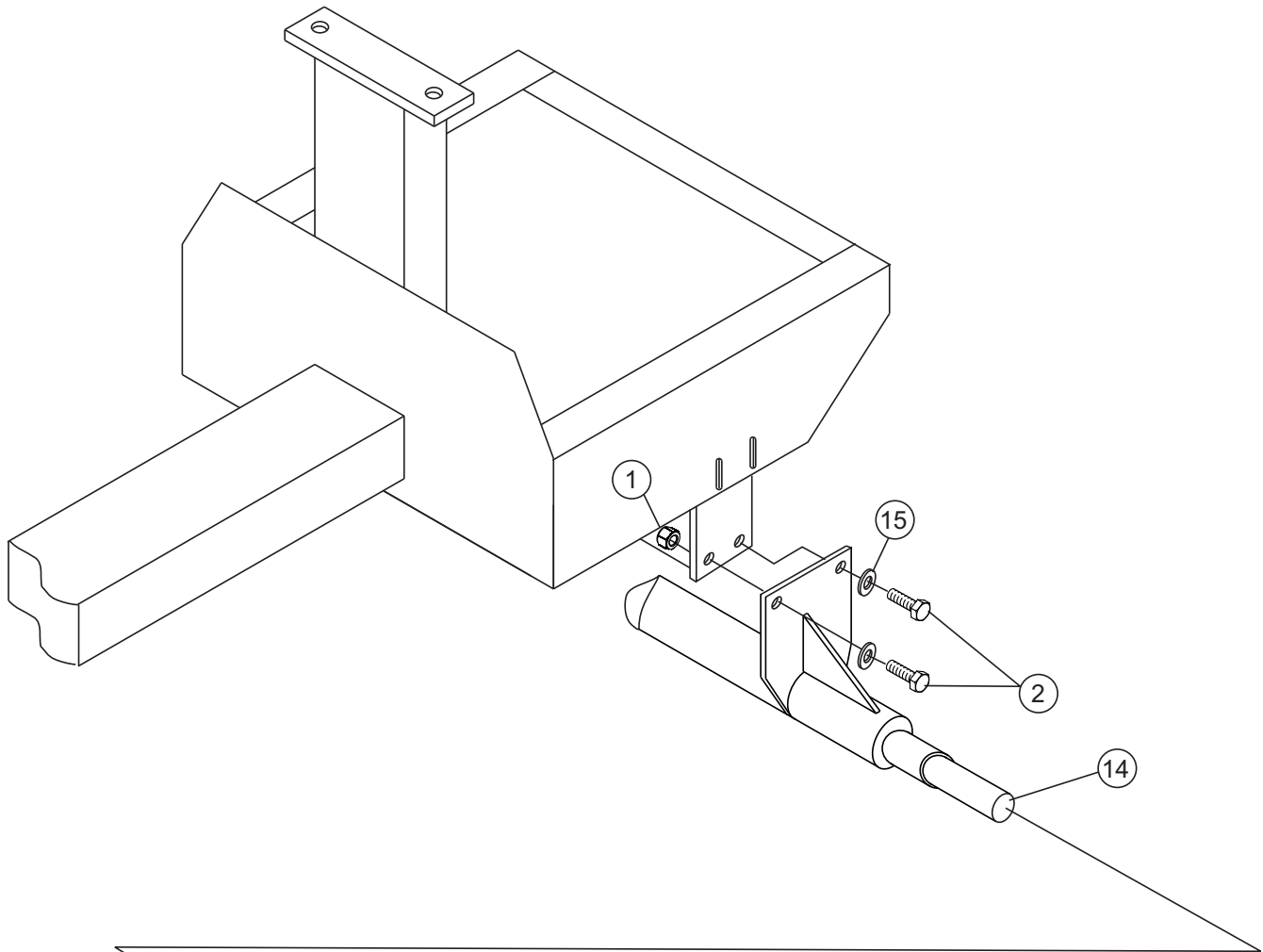


Quantity of item 19, Connector Link, changed from 2 to 1 in January 2006. Item 19A, Clevis Safety Hook, replaces discontinued Connector Link.



MAIN FRAME ASSY.

<u>NO.</u>	<u>PART NO.</u>	<u>PART NAME</u>	<u>QTY.</u>	<u>REMARK</u>
1	501844	GUARD, GEAR WHEEL	1	
2	2101402	WASHER, LOCK 1/4"	4	
3	492284	ROUND HEAD BOLT 1/4" NC 3/8 G2"	4	REPLACES 492279
4	502017	DUMP GEAR	1	
5	EM969013	NUT, LOCK 3/8" NC	1	
6	490896	DUMP LATCH	1	
7	EM963610	BOLT 3/8" NC X 1-1/2" G5	1	
8	491008	GREASE CAP	2	
9	EM916001	GREASE FITTING 1/8" NPT	2	REPLACES 491698
10	EM963055	ALLEN BOLT 3/16" NS X 5/8"	4	
11	3103160	WASHER, LOCK 3/16"	4	
12	495595	WASHER, FLAT 3/16"	4	
13	514643	FRAME	1	
14	10176	LOCK NUT 1/2 NC.....	1	REPLACES 492586
15	EM124	BOLT 1/2"- 13 X 4 G5	1	
16	500596	HANDWHEEL SHAFT	1	
17#	501902	HANDWHEEL	1	
18#		SAFETY CHAIN	1	
19#	01004	CONNECTOR LINK.....	2	BEFORE JANUARY 2006
19#	01004	CONNECTOR LINK.....	1	AFTER JANUARY 2006
19A#	516580	CLEVIS SAFETY HOOK, 1/4"	1	AFTER JANUARY 2006
20	490958	RING RETAINING	1	
21	13363KIT	CHAIN LINK KIT	1	INCLUDES ITEMS W/ #
22	HBC-1	BALL HITCH 2-INCH	1	CONTACT UNIT SALES
23	HLC-1	LOOP HITCH.....	1	CONTACT UNIT SALES
24	HPC-1	PIN HITCH 1-INCH.....	1	CONTACT UNIT SALES



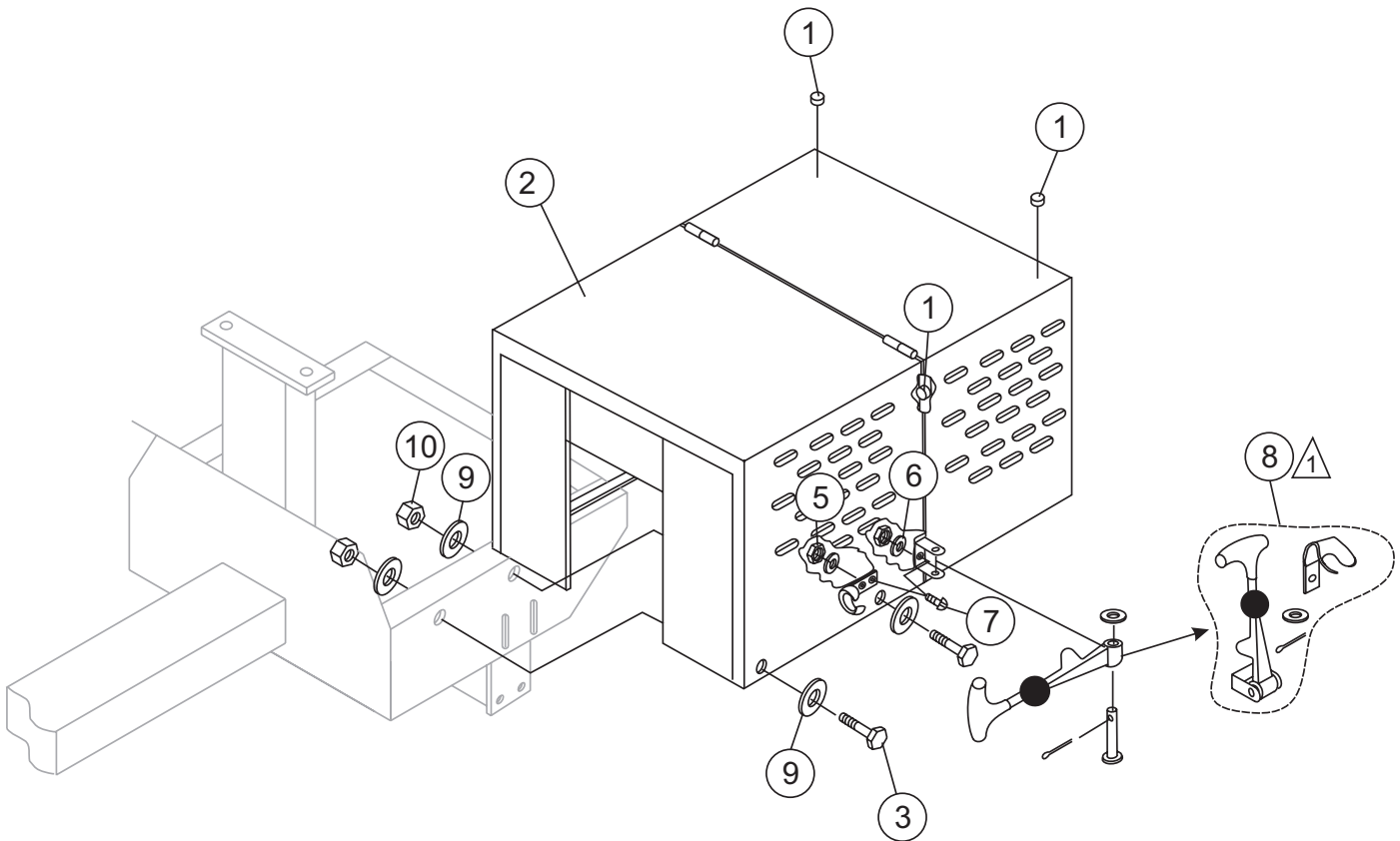
NOTES:

△ 1 COMPLETE HUB ASSEMBLY INCLUDES ITEMS WITHIN DASHED LINES, AND ALSO INCLUDES ITEMS 12 AND 13.

AXLE ASSY.

<u>NO.</u>	<u>PART NO.</u>	<u>PART NAME</u>	<u>QTY.</u>	<u>REMARK</u>
1	492584	LOCK NUT 1/2" NC	8	
2	492394	BOLT 1/2" NC 1-1/2" G5	8	
3#	EM914288	OIL SEAL	2	
4#	EM903113	BEARING CONE	4	
5#	EM903012	BEARING CUP	4	
6	EM941306	HUB ASSY., 4-BOLT (1-1/16" SPINDLE).....	2.....	INCLUDES ITEMS W/#
7	EM511159	WASHER, FLAT, .087" THICKNESS	2	
8	EM501299	WASHER, FLAT, .135" THICKNESS	AR	
9	491688	COTTER PIN 1/8" X 1-1/2'	2	
10	8164	NUT, SLOTTED HEX JAM 1"- 20	2	
11	516476	TIRE AND RIM	2	
12#	8115	LUG NUTS	8	
13#	3469	DUST CAP	2	
14	514679	AXLE, RIGID	1	
15	492600	WASHER, FLAT	12	

CABINET ASSY.



NOTES:

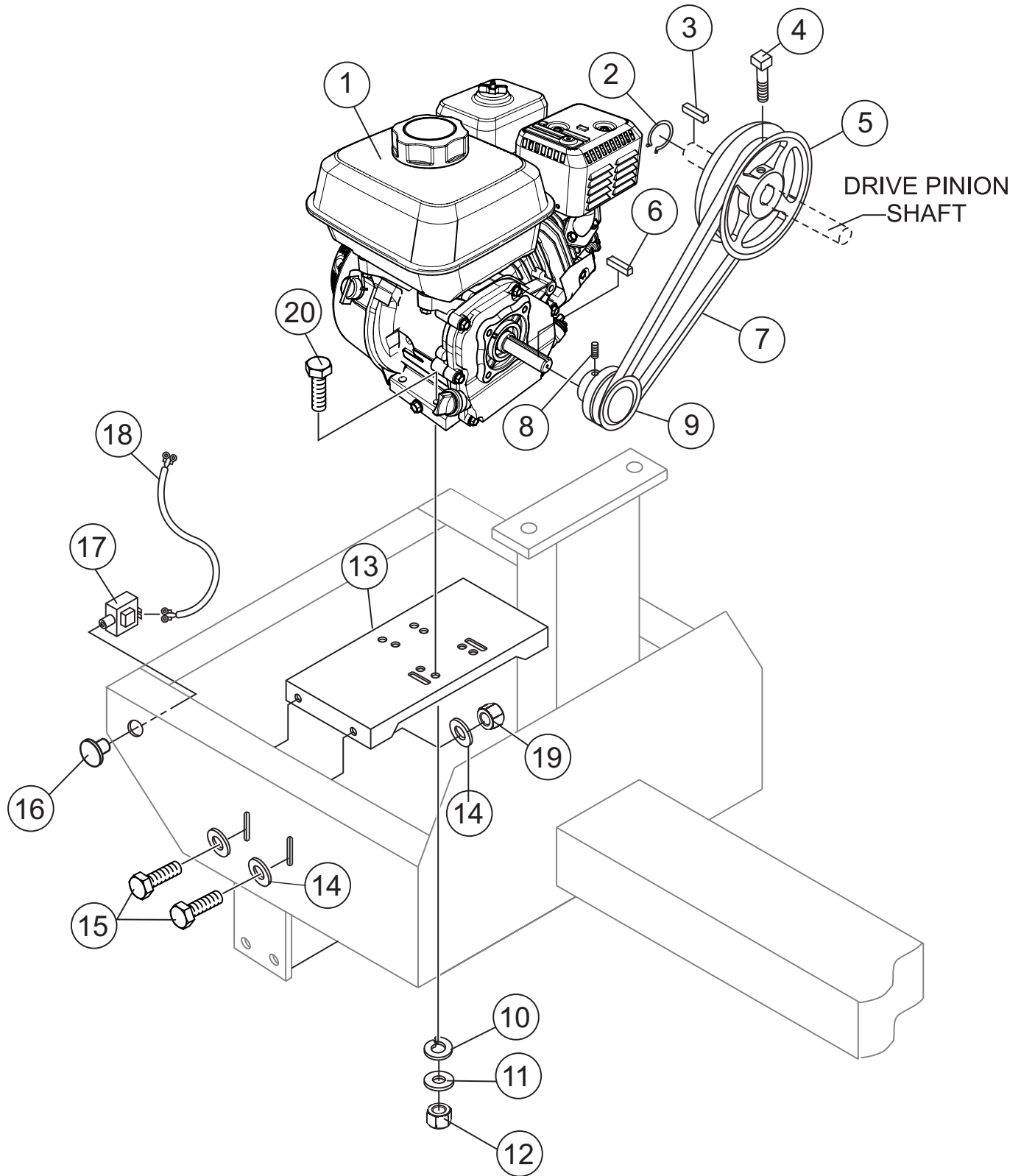


COMPLETE LATCH ASSEMBLY
INCLUDES ITEMS WITHIN DASHED
LINES. ITEMS CANNOT BE PURCHASED
SEPARATELY.

CABINET ASSY.

<u>NO.</u>	<u>PART NO.</u>	<u>PART NAME</u>	<u>QTY.</u>	<u>REMARKS</u>
1	490202	RUBBER PROTECTOR	4	
2	514771	ENGINE HOUSING CABINET W/DECALS	1.....	INCLUDES ITEM W/ # REPLACES P/N 514648
3	492375	BOLT 3/8" NC X 1" G5	6	
4	EM923023	WASHER, FLAT 5/16"	8	
5	13287	LOCK NUT 8-32.....	6.....	REPLACEMENT PART ONLY
6	2203	WASHER, FLAT #10.....	6.....	REPLACEMENT PART ONLY
7	1307	RHMS 8-32 X 1/2"	6.....	REPLACEMENT PART ONLY
8#	491010	LATCH ASSY., COMPLETE	2	
9	492598	WASHER, FLAT 3/8"	12	
10	2105164	NUT 3/8" NC G5	6	

GAS ENGINE MOUNTING PLATE ASSY.

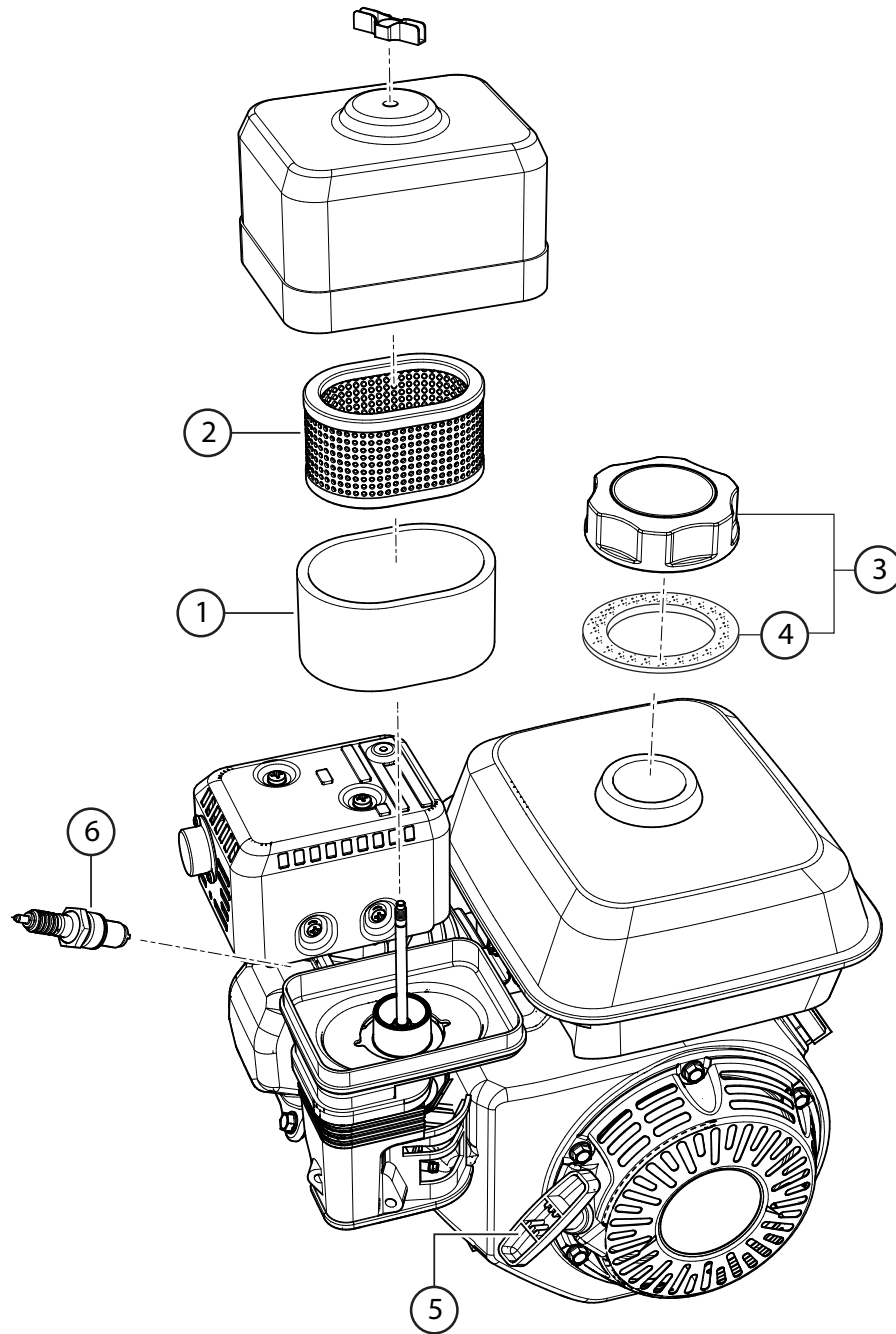


GAS ENGINE MOUNTING PLATE ASSY.

<u>NO.</u>	<u>PART NO.</u>	<u>PART NAME</u>	<u>QTY.</u>	<u>REMARKS</u>
1	GX120UT1QX2	ENGINE, HONDA 3.9 HP	1	REPLACES GX120K1QX2 GX120U1QX2 ENGINES
2	490956	RING, RETAINING	1	
3	500246	SQUARE KEY 1/4 X 35 MM	1	
4	EM961045	SET SCREW 5/16" NC X 3/4"	1	
5	492066	UPPER PULLEY	1	
6	501019	SQUARE KEY 3/16" X 45 MM	1	
7	EM507846	V-BELT A-50	1	
8	492467	ALLEN SCREW 5/16" NC X 3/8"	1	
9	492065	DRIVE PULLEY 4.0 HP	1	
10	EM923343	WASHER, LOCK 5/16"	4	
11	EM923023	WASHER, FLAT 5/16"	4	
12	2105164	NUT, HEX 5/16 X18 NC G5	4	
13	514670	BASE PLATE ENGINE/ELECTRIC MOTOR	1	
14	492600	WASHER, FLAT 1/2"	8	
15	EM963692	BOLT, HEX 1/2" NC 1-1/2" G5	4	
16	29174-001	BUTTON, STOP	1	
17	29173-001	SWITCH, STOP	1	
18	510573C	ENGINE CABLE HARNESS	1	
19	492584	LOCKNUT 1/2"	4	
20	492367	BOLT 5/16" X 1-3/4" G5	4	

ELECTRIC MOTOR MOUNTING PLATE ASSY.

<u>NO.</u>	<u>PART NO.</u>	<u>PART NAME</u>	<u>QTY.</u>	<u>REMARKS</u>
1	34F3245596	MOTOR, ELECTRIC .5 HP	1	
2	490956	RING, RETAINING	1	
3	500246	SQUARE KEY 3/16" X 45 MM	1	
4	EM961045	SET SCREW 5/16" NC X 3/4"	1	
5	492066	UPPER PULLEY	1	
6	501019	SQUARE KEY 3/16" X 45 MM	1	
7	EM507846	V-BELT A-50	1	
8	492467	ALLEN SCREW 5/16" NC X 1/2"	1	
9	492067	DRIVE PULLEY	1	
10	EM923343	WASHER, LOCK 5/16"	4	
11	EM923023	WASHER, FLAT 5/16"	4	
12	492553	NUT, HEX 5/16 X18 NC G5	4	
13	514670	BASE PLATE ENGINE/ELECTRIC MOTOR	1	
14	492600	WASHER, FLAT 1/2"	8	
15	EM963692	BOLT, HEX 1/2" NC 1-1/2" G5	4	
16	4922584	LOCKNUT 1/2"	4	
17	492367	BOLT 5/16" X 1-3/4"	4	



ENGINE SERVICE PARTS

NO.	PART NO.	PART NAME	QTY.	REMARKS
1♦	17218ZE0505	FILTER, OUTER	1	
1♣♦	17218ZE0821	FILTER, OUTER	1	
2♦	17210ZE0505	AIR CLEANER ELEMENT	1	
2♣♦	17210ZE0822	AIR CLEANER ELEMENT	1	
3♦	17620ZH7023	TANK CAP	1	INCLUDES ITEM W/%
3♣	17620Z0T305	TANK CAP	1	INCLUDES ITEM W/\$
3◇	17620Z0T813	TANK CAP	1	INCLUDES ITEM W/#
4%	17631329003	GASKET	1	
4\$	17631Z0T812	GASKET	1	
4#	17631Z0T801	GASKET	1	
5	28462ZH8003	ROPE, RECOIL	1	
6♦♣	9807955846	SPARK PLUG, BPR5ES (NGK)	1	
6◇	9807955876	SPARK PLUG, BPR5ES (NGK)	1	

NOTICE

- ♦ HONDA GX120K1QX2
- ♣ HONDA GX120U1QX2
- ◇ HONDA GX120UT1QX2