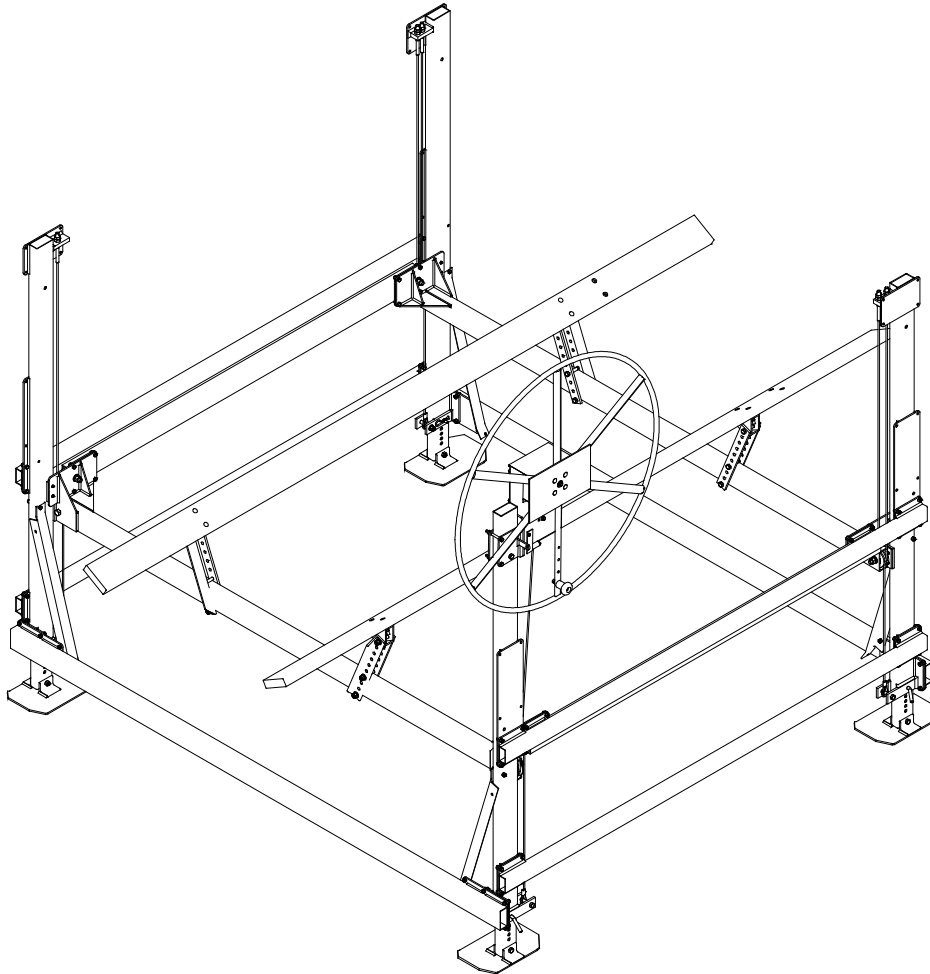




VL 45108, VL45116, VL45116 TALL & VL40124P VERTICAL LIFT INSTRUCTIONS



REIMANN & GEORGER CORPORATION
MARINE PRODUCTS
P/N 6113641

BUFFALO, NY
3/03/17

7 PARTS LISTS

Each reference number or letter in the parts lists of Sections 7.1 through 7.6 can be matched with the reference number or letter referred to in both the text and illustrations of Chapter 3, Installation and Setup.



WARNING:

FAILURE TO APPLY A SUITABLE LUBRICANT TO THE MATING SURFACES OF STAINLESS STEEL THREADED FASTENERS MAY CAUSE GALLING AND/OR SEIZING OF ASSEMBLY.

7.1 VL4.5K LIFTS

7.1.1 #3689416 VL45108 LIFT W/ R18LT WINCH

REF #	PART #	QTY	DESCRIPTION
	3689440	1	VL45108/116 Common Bundle 1 of 2 See section 7.2.1
	3689443	1	VL45108 Bundle 2 of 2 See Section 7.2.2
	3689354	1	VL 3.5-4.5K Hardware Carton of Parts See Section 7.8
	3704983	1	R18LT W/ Mounting Hardware See Section 7.11

7.1.2 #3689419 VL45116 LIFT W/ R18LT WINCH

REF #	PART #	QTY	DESCRIPTION
	3689440	1	VL45108/116 Common Bundle 1 of 2 See section 7.3.1
	3689446	1	VL45116 Bundle 2 of 2 See Section 7.3.2
	3689354	1	VL 3.5-4.5K Hardware Carton of Parts See Section 7.8
	3704983	1	R18LT W/ Mounting Hardware See Section 7.11

7.1.3 #3689422 VL45116 TALL LIFT W/ R18LT WINCH

REF #	PART #	QTY	DESCRIPTION
	3689449	1	VL45108T/116T Common Bundle 1 of 2 See section 7.4.1
	3689452	1	VL45116T Common Bundle 2 of 2 See Section 7.4.2
	3689354	1	VL Hardware 3.5-4.5K Hardware Carton of Parts See Section 7.8
	3704983	1	R18LT W/ Mounting Hardware See Section 7.11

7.1.4 #3689413 VL40124P LIFT W/ R18LT WINCH

REF #	PART #	QTY	DESCRIPTION
	3689434	1	VL40124P BDL 1 OF 2 '13 See section 7.5.1
	3689437	1	VL40124P BDL 2 OF 2 See Section 7.5.2
	3689354	1	VL 3.5-4.5K Hardware Carton of Parts See Section 7.8
	3704983	1	R18LT W/ Mounting Hardware See Section 7.11

7.2 VL45108 BUNDLES

7.2.1 #3689440 VL45108/116 Common Bundle 1 of 2

REF #	PART #	QTY	DESCRIPTION
1	3603809	4	VL FOOT PLATE ASSY—SMALL
2	3689702	4	VL LOWER DIAGONAL BRACE 31.25 FORMED ‘13
3	3608003	1	VL VERTICAL LEG (A) ASSY 1.6-4.5K
4	3645215	1	VL VERTICAL LEG (B) ASSY 4.5K
5	3608005	1	VL VERTICAL LEG (C) ASSY 1.6-4.5K
6	3645220	1	VL VERTICAL LEG (D) ASSY 4.5K

7.2.2 #3689443 VL45108 Bundle 2 of 2

REF #	PART #	QTY	DESCRIPTION
7	3603853	4	VL HORIZONTAL TUBE 108” 3-4K
8	3689708	2	VL HORIZONTAL TUBE 116” (6X10.5)
9	3603787	1	VL SPREADER TUBE ASSY (AD) 4K
10	3603786	1	VL SPREADER TUBE ASSY (BC) 4K
11	3603380	1	VL LOAD TUBE ASSY A-B 40108
12	3603381	1	VL LOAD TUBE ASSY C-D 40108

7.3 VL 45116 BUNDLES

7.3.1 #3689440 VL45108/116 Common Bundle 1 of 2

REF #	PART #	QTY	DESCRIPTION
1	3603809	4	VL FOOT PLATE ASSY—SMALL
2	3689702	4	VL LOWER DIAGONAL BRACE 31.25” FORMED ‘13
3	3608003	1	VL VERTICAL LEG (A) ASSY 1.6-4.5K
4	3645215	1	VL VERTICAL LEG (B) ASSY 4.5K
5	3608005	1	VL VERTICAL LEG (C) ASSY 1.6-4.5K
6	3645220	1	VL VERTICAL LEG (D) ASSY 4.5K

7.3.2 #3689446 VL 45116 Bundle 2 of 2

REF #	PART #	QTY	DESCRIPTION
7	3603853	4	VL HORIZONTAL TUBE 108” 3-4.5K
8	3689711	2	VL HORIZONTAL TUBE 124” (6X10.5)
9	3603787	1	VL SPREADER TUBE ASSY (AD) 4.5K
10	3603786	1	VL SPREADER TUBE ASSY (BC) 4.5K
11	3603946	1	VL LOAD TUBE ASSY A-B 45116
12	3603945	1	VL LOAD TUBE ASSY C-D 45116

7.4 VL45116 TALL BUNDLES

7.4.1 #3689449 VL45116 TALL Bundle 1 of 2

REF #	PART #	QTY	DESCRIPTION
1	3603809	4	VL FOOT PLATE ASSY—SMALL
2	3689705	4	VL LOWER DIAGONAL BRACE 43” FORMED ‘13
3	3647505	1	VL VERTICAL LEG (A) ASSY 4KT&5KTSR
4	3645225	1	VL VERTICAL LEG (B) ASSY 4.5KT
5	3647515	1	VL VERTICAL LEG (C) ASSY 4KT&5KTSR
6	3645230	1	VL VERTICAL LEG (D) ASSY 4.5KT

7.4.2 #3689452 VL45116 TALL Bundle 2 of 2

REF #	PART #	QTY	DESCRIPTION
7	3603853	4	VL HORIZONTAL TUBE 108” 3-4.5K
8	3689711	2	VL HORIZONTAL WELDMENT 124” (6X10.5”)
9	3647435	1	VL SPREADER TUBE ASSY (AD) 4.5KT
10	3647440	1	VL SPREADER TUBE ASSY (BC) 4.5KT
11	3647425	1	VL LOAD TUBE ASSY (AB) 4K116T
12	3647430	1	VL LOAD TUBE ASSY (CD) 4K116T

7.5 VL40124P BUNDLES

7.5.1 #3689434 VL40124P Bundle 1 of 2

REF #	PART #	QTY	DESCRIPTION
1	3603809	4	VL FOOT PLATE ASSY—SMALL
2	3689702	4	VL LOWER DIAGONAL BRACE 31.25” FORMED
3	3608003	1	VL VERTICAL LEG (A) WELDMENT 3.5-5KSR
4	3608014	1	VL VERTICAL LEG (B) ASSY 4.5K
5	3608005	1	VL VERTICAL LEG (C) WELDMENT 3.5-5KSR
6	3608016	1	VL VERTICAL LEG (D) ASSY 4.5K

7.5.2 #3689437 VL40124P Bundle 2 of 2

REF #	PART #	QTY	DESCRIPTION
7	3601605	4	VL HORIZONTAL TUBE 133” 40124P
8	3689714	2	VL HORIZONTAL TUBE 132” (6X10.5”) (1/8”)
9	3601515	1	VL SPREADER TUBE ASSY (AD) 40124P
10	3601520	1	VL SPREADER TUBE ASSY (BC) 40124P
11	3601505	1	VL LOAD TUBE ASSY (AB) 40124P
12	3601510	1	VL LOAD TUBE ASSY (CD) 40124P

7.6 VL EXTENSION LEGS

REF #	PART #	QTY	DESCRIPTION
13	as ordered	4	VL EXTENSION LEGS 29-1/2” to 10’ (sold in pairs)

7.7 VL 4.5K BUNKS

REF #	PART #	QTY	DESCRIPTION
	3670655	1	VL4.5K WOOD BUNKS W/ 13" BRACKETS & HARDWARE
	3670656	1	VL4.5K TALL WOOD BUNKS W/ 19 1/2" BRACKETS & HARDWARE
	3636005	1	VL4.5K ALUM/VINYL BUNKS W/ 13" BRACKETS & HARDWARE
	3636030	1	VL4.5K TALL ALUM/VINYL BUNKS W/ 19 1/2" BRACKETS & HARDWARE
	3604015	1	VL4.5K WOOD SKIBOAT BUNKS W/35" BRACKETS & HARDWARE
	3604030	1	VL4.5K ALUM/VINYL SKIBOAT BUNKS W/35" BRACKETS & HARDWARE

7.8 #3689354 VL 45108, VL 45116 and VL40124 COMMON HARDWARE

REF #	PART #	QTY	DESCRIPTION
I	3629961	1	VL LEG PIN SET (4 PINS)
	6403794	4	CAP PLASTIC—2 X 4 X 1/8W
	6403795	4	CAP PLASTIC—1-1/2 X 3 X 1/8W
	3689357	4 Pkgs.	VL 3.5-6K09 CORNER HARDWARE BAG OF BOLTS
J	5896247	18	3/8-16 X 1" HHCS
K	5896255	1	3/8-16 X 3 HHCS
L	5896288	1	1/2-13 X 3" HHCS
M	5840103	19	3/8-16 LOCKNUT NYLOCK ALUM
N	5836107	1	1/2-13 LOCKNUT NYLOCK ALUM
	3606541	1 Pkg.	VL CABLE HARDWARE 1.6-4.5K
E	5896290	4	1/2-13 X 3-1/2" HHCS
H	5896379	4	1/2-13 NUT HEX
F	5896400	4	1/2 WASHER SAE
G	5806244	4	1/2 WASHER SPLIT LOCK
O	5896397	10	9/16-12 NUT HEX

7.9 VL4.5K PLATFORM HARDWARE (IN SPREADER ASSEMBLIES – SEE SECTIONS 7.4.2&7.5.2)

REF #	PART #	QTY	DESCRIPTION
AA	5896306	2	5/8-11 X 3-1/2 SS HEX BOLT (QTY PER SPREADER ASSY)
BB	5896414	2	5/8 SAE FLAT SS WASHER (QTY PER SPREADER ASSY)
CC	5806246	2	5/8 SPLIT LOCK SS WASHER (QTY PER SPREADER ASSY)
DD	5896380	2	5/8 SS HEX NUT (QTY PER SPREADER ASSY)

7.10 #3703812 VL HANDWHEEL 4' 3-5K CARTON

REF #	PART #	QTY	DESCRIPTION
17	3703803	1	VL HANDWHEEL 4'
	3703800	1	HANDWHEEL MOUNTING BAG OF BOLTS R18 CONSISTING OF:
P	5896217	4	3/8-16 X 1-1/4 CARRIAGE BOLT
M	5840103	4	3/8-16 LOCKNUT NYLOCK ALUM
F	5806400	1	1/2" WASHER SAE CZP
Q	5896192	1	1/2-20 ACORN NUT
G	5806244	1	1/2 WASHER SPLIT LOCK
25	3709007	1	CW R15/R18 HANDWHEEL ADAPTER
	3671010	1	HANDWHEEL SPINNER KNOB ASSY SS CONSISTING OF:
B	5896406	3	3/8" SS SAE FLAT WASHER
R	5896255	1	3/8-16 X 3 SS HEX BOLT
D	5896377	2	3/8-16 SS HEX NUT
18	3603670	1	HANDWHEEL SPINNER KNOB

7.11 #3704983 CW R18LT W/ MOUNTING HARDWARE

REF #	PART #	QTY	DESCRIPTION
15		1	CW R18LT WINCH
19	3701501	1	R18 BRAKE RATCHET – 10 TOOTH
20	3709047	1	R18 PAWL ASSEMBLY
21	5805936	1	R18 PAWL SPRING
22	3709038	1	R18 PAWL POLY SPACER
23	5100601	1	7/8" ID BRONZE THRUST BEARING
24	6703833	1	4" OD BRAKE DISC
	3755259	1	CW R18LT MOUNTING HARDWARE SS BAG OF BOLTS CONSISTING OF:
	5806187	1	3/16 L HANDLE HEX WRENCH
A	5896257	2	3/8-16 X 3 1/2 SS HEX BOLT
D	5803638	2	3/8-16 SILICON BRONZE HEX NUT
B	5896406	2	3/8" SAE SS FLAT WASHER
C	5806243	2	3/8" SS SPLIT LOCK WASHER
E	5896290	1	1/2-13 X 3 1/2 SS HEX BOLT
H	5803612	1	1/2-13 SILICON BRONZE HEX NUT
F	5896400	1	1/2" SAE SS FLAT WASHER
G	5806244	1	1/2" SS SPLIT LOCK WASHER

