

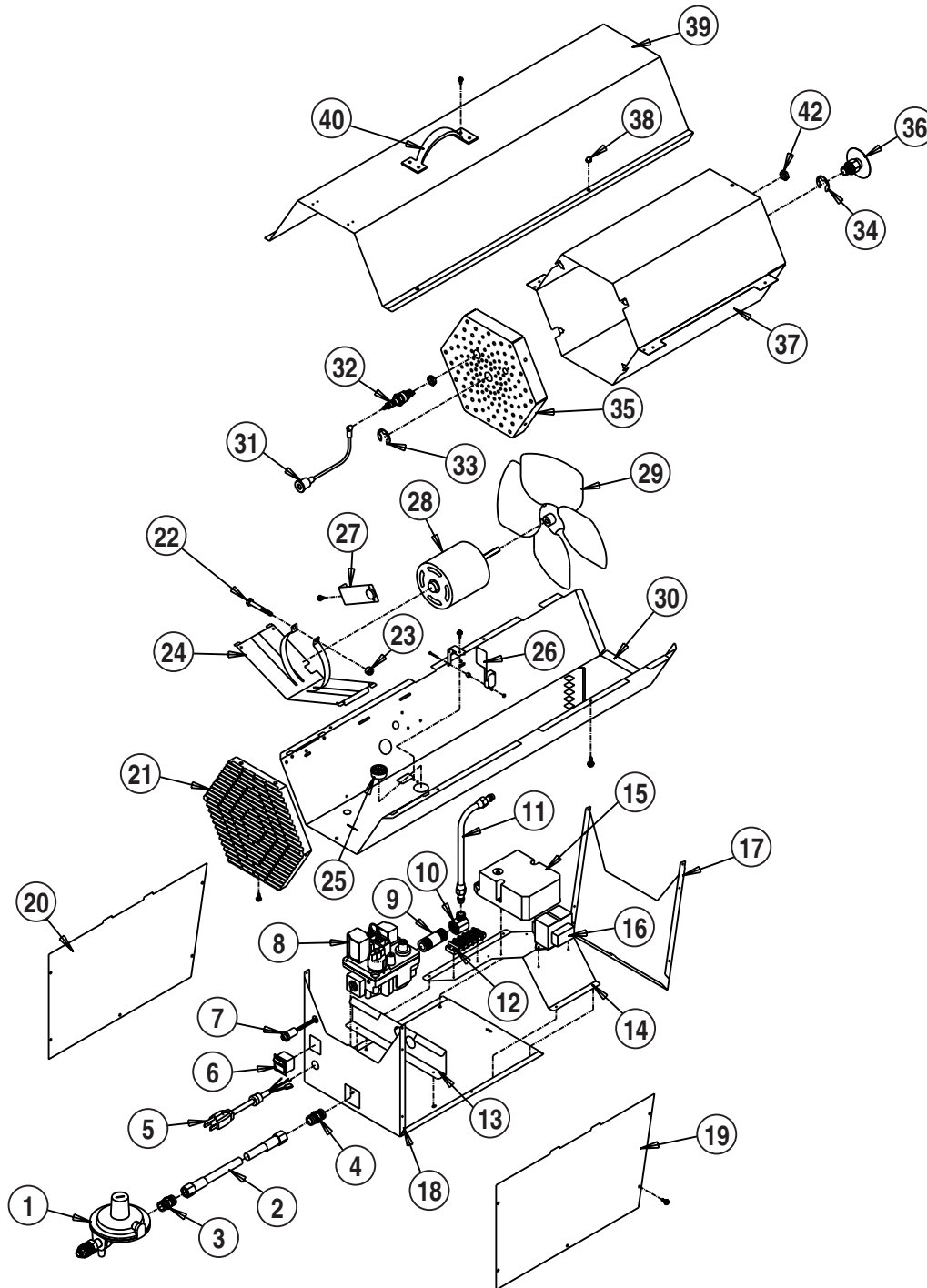


***TRADESMAN***

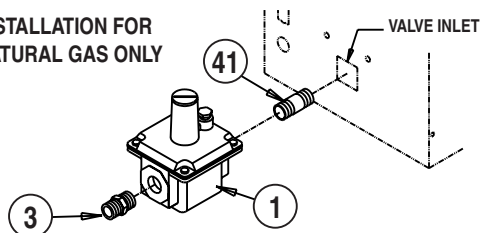
***Portable Forced Air Heaters***

# Portable Forced Air Heaters

**MODELS CP100A, CP100B, CP155A & CP155B**



INSTALLATION FOR  
NATURAL GAS ONLY



# Portable Forced Air Heaters



## PARTS IDENTIFICATION

Item	Description	Model	
		CP100A & CP100B	CP155A & CP155B
1	Regulator	L.P. Gas	550-06772
		Natural Gas	N/A 550-06713
2	Hose 1/2 In. x 10 Ft.		400-20243
3	Adapter, Hose to Regulator	L.P. Gas	310-03536
		Natural Gas	310-02894
4	Adapter, 1/2 NPS x 1/2 NPT, L.P. Gas		310-02894
5	Cord, Power		400-08961
6	Switch, On/Off		120-08240
7	L.E.D. w/ Leads		120-08811
8	Valve, Gas Control	L.P. Gas	550-06071
		Natural Gas	550-06623
9	Nipple		130-08899
10	Elbow		130-08900
11	Tube, Tinned Manifold, w/ Nuts & Sleeves		550-22549
12	Terminal Strip		120-08253
13	Bracket, Gas Control		225-08792
14	Bracket, Control Mounting		225-08579
15	Control, Ignition		120-08810
16	Transformer		120-08260
17	Case, Front		271-08575
18	Case, Base w/ Back		271-08576
19	Case, Panel, Left		271-06316
20	Case, Panel, Right		271-07162
21	Guard, Fan		220-06403
22	Bolt		130-03140
23	Nut, Self Locking		130-04955
24	Mount, Motor		220-06400
25	Bushing		130-05768
26	Switch, Air Proving		400-06739
27	Switch, Backflash		550-06687
28	Motor		120-03830
29	Fan		130-05686
30	Case Bottom		271-06219
31	Wire, Igniter		120-09347
32	Igniter, w/ Nuts Gapped		550-07160
33	Ring, Retaining, Bowed		130-05848
34	Ring, Retaining, Flat		130-05847
35	Burner Plate		260-06429
36	Orifice, Burner w/ Retaining Rings	L.P. Gas	550-05851 550-06685
		Natural Gas	550-06686
37	Heat Chamber Assembly	L.P. Gas	400-06939 400-06938
		Natural Gas	400-06940
	(Includes Heat Chamber, Orifice, and Igniter)		
38	Nut, Acorn		130-03938
39	Case, Top		271-06222
40	Handle, w/ Screws		550-03941
41	Nipple, Natural Gas		
42	Nut, Jam		130-05460