

PARTS SECTION

NortonParts.com

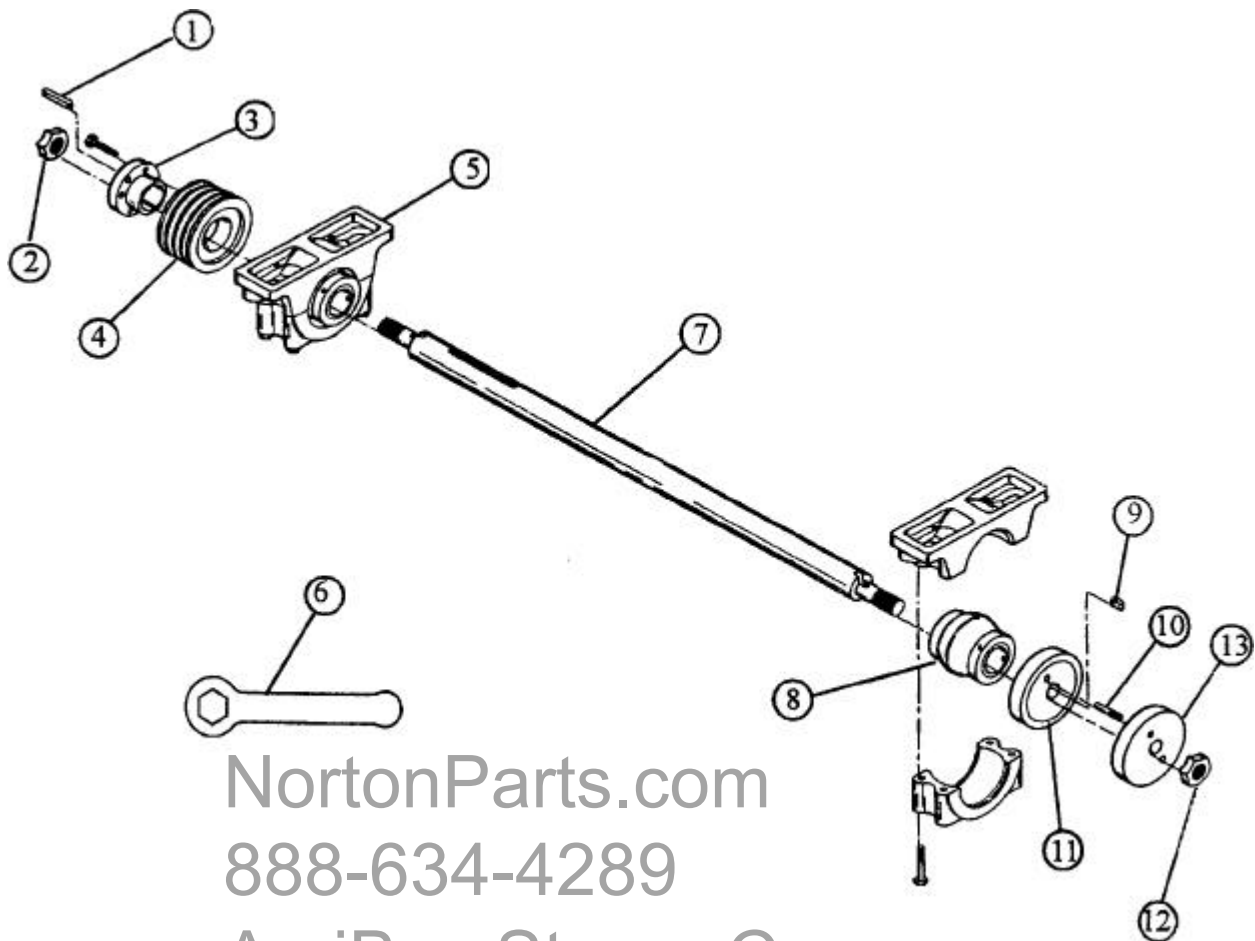
888-634-4289

An iBuy Stores Company

clipper 29

Parts for Arbor Shaft Assembly

✓ITEM	PART	DESCRIPTION
1	P110715	Key, 3/8 x 2-3/4
2	P416808	Arbor nut RH thread
3	P110640	Bushing SK x 1-11/16" (14", 18", 20", 26")
4	P111022	Sheave 6 GR - 3V - 4.75" Ø [35 HP] (14", 18", 20")
	P111023	Sheave 6GR - 3V - 5.3" Ø [35 HP] (26")
	P110787	Sheave 6GR - 3V - 5.6" Ø [35 HP] (30")
5	P110736	Pillow block 1-11/16 (2)
6	P416832	Arbor wrench 1-1/2" Hex
7	P416820	Blade shaft
8	P110600	Replacement bearing
9	P110712	Key 1/4 x 1-3/4
10	P416844	Drive Pin 3/8 x 1-3/8
11	P416907	Inside collar 4-1/2"
12	P416807	Arbor nut left hand thread
13	P416943	Outside collar 4-1/2"



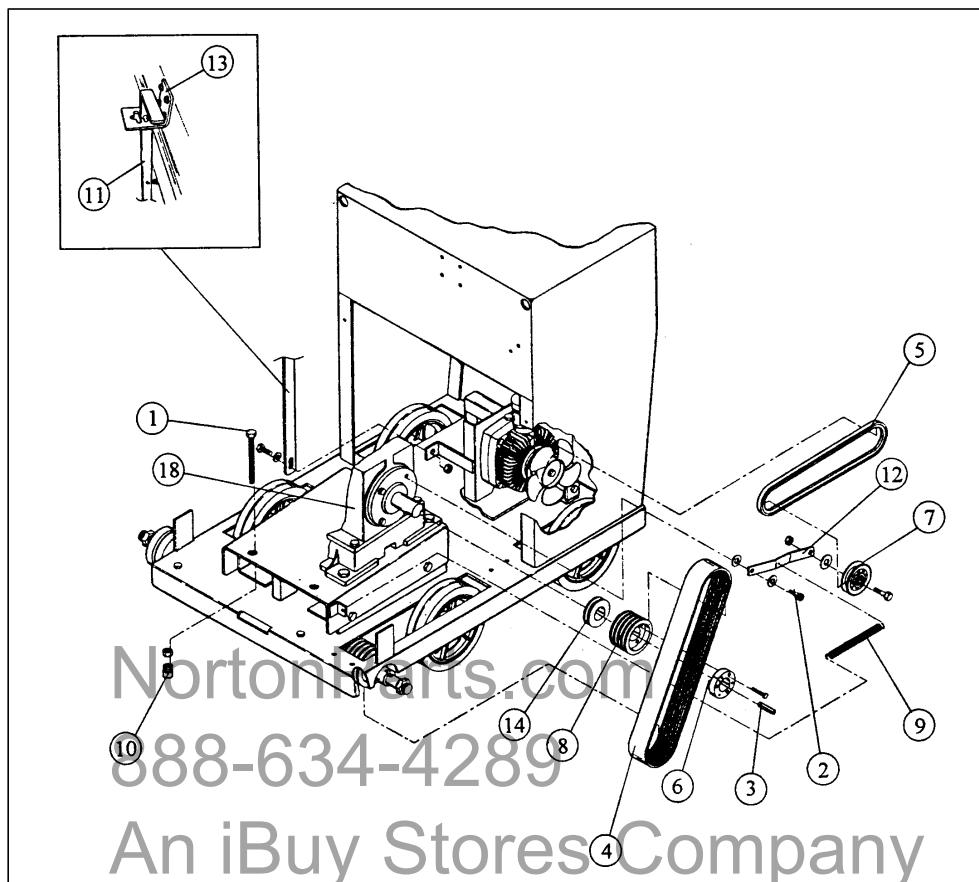
NortonParts.com

888-634-4289

An iBuy Stores Company

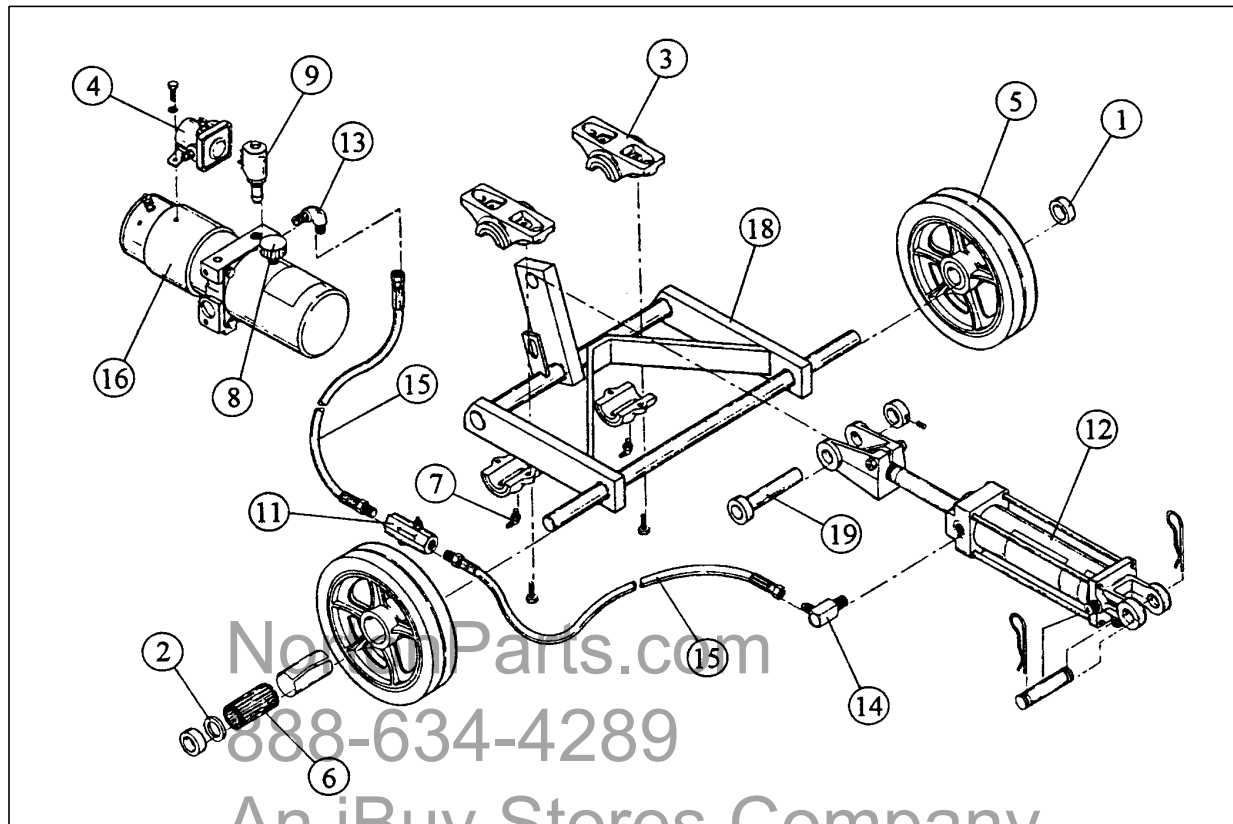
Parts for Engine Drive Assembly

ITEM	PART #	DESCRIPTION
1	P100480	HHCS 5/8 x 6 full thread (2 req'd)
2	P100482	Soc. head cap screw 3/8 x 2
3	P110294	Key 3/8 x 2
4	P111024	Belt 3VX/500
5	P110626	Belt A-57
6	P111043	Engine Pulley Bushing SK 1-7/16" S/N 01-28
	P110643	Engine Pulley Bushing SK 1-7/16" S/N 28 UP
7	P110758	Idler pulley
8	P111023	Sheave 6 Gr / 3V / 5.3 " Dia. (14", 18", 20" sawing)
	P111042	Sheave 6 Gr / 3V/ 4.75" Dia. (26" sawing) S/N 01-28
	P111022	Sheave 6 Gr / 3V/ 4.75" Dia. (26" sawing) S/N 28 UP
	P111027	Sheave 6 Gr / 3V/ 4.12" Dia. (30" sawing)
9	P110797	Idler spring
11	P419605	Disengage bar
	P419606	Extension free wheel
12	P403283	Idler bar w/stud
13	P404110	Disengage bracket & Lifting Bail
14	P416899	Hyd engine pulley
15	P404073	Belt guard 35 (not shown)
18	P110670	Engine Wisconsin Model W4-1770 Spec #



Parts for Front Axle

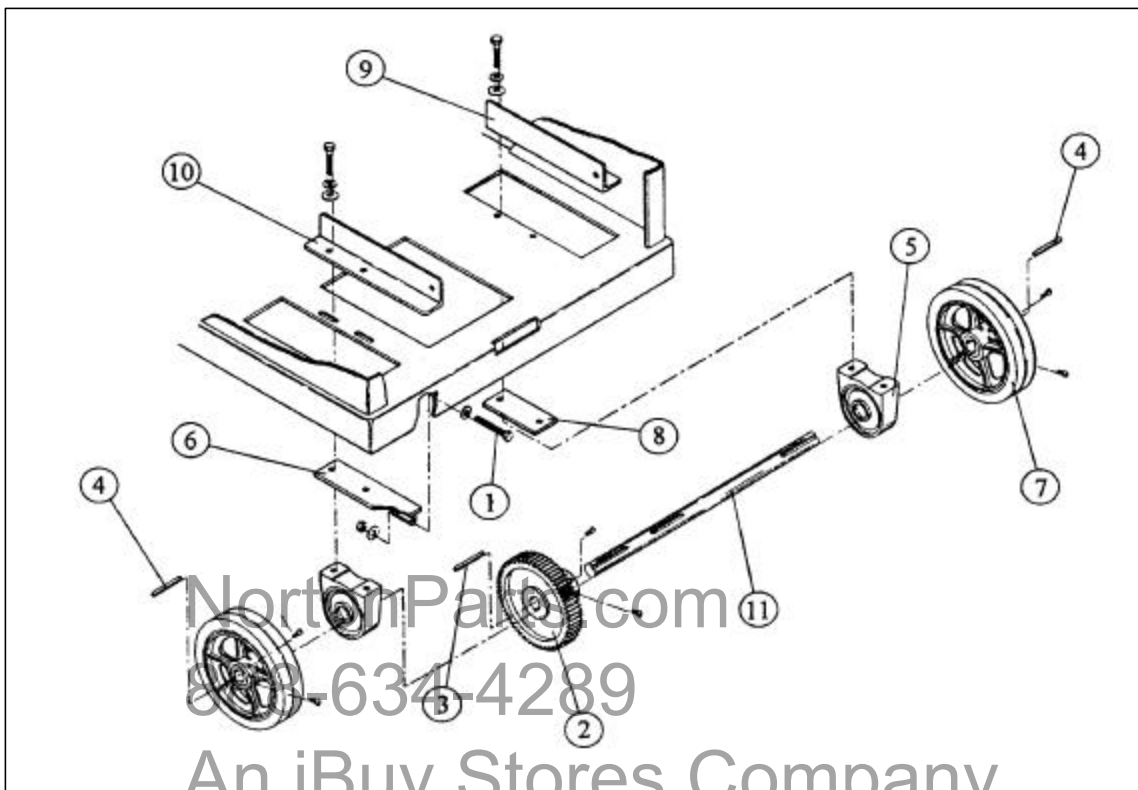
✓ITEM	PART	DESCRIPTION
1	P110115	Set collar 1 (2 req'd)
2	P110604	Bearing retainer (2 req'd)
3	P110611	Split babbit bearing 1 1/4 (2 req'd)
4	P130118	Solenoid
5	P140343	Wheel w/bearing 10 x 2-1/2
6	P140354	Wheel bearing w/sleeve (2 req'd)
7	P150099	Grease zerk (2 req'd)
8	P170386	Breather cap
9	P170390	Cartridge
10	P170391	Check valve (not shown)
11	P170418	Flow control 3/8
12	P170432	Hyd. cylinder 2 x 6
13	P170435	Hyd. fitting 6-6 x 90
14	P170436	Hyd. fitting 8-6 x 90
15	P170438	Hyd. hose 3/8 x 18 (2 req'd)
16	P170473	Hydraulic Power Unit w/Solenoid
17	P170481	Relief valve (not shown)
18	P403060	Front axle
19	P417034	Retaining pin
20	P170398	Seal kit for hyd. cylinder (not shown)



No Parts.com
 888-634-4289
 An iBuy Stores Company

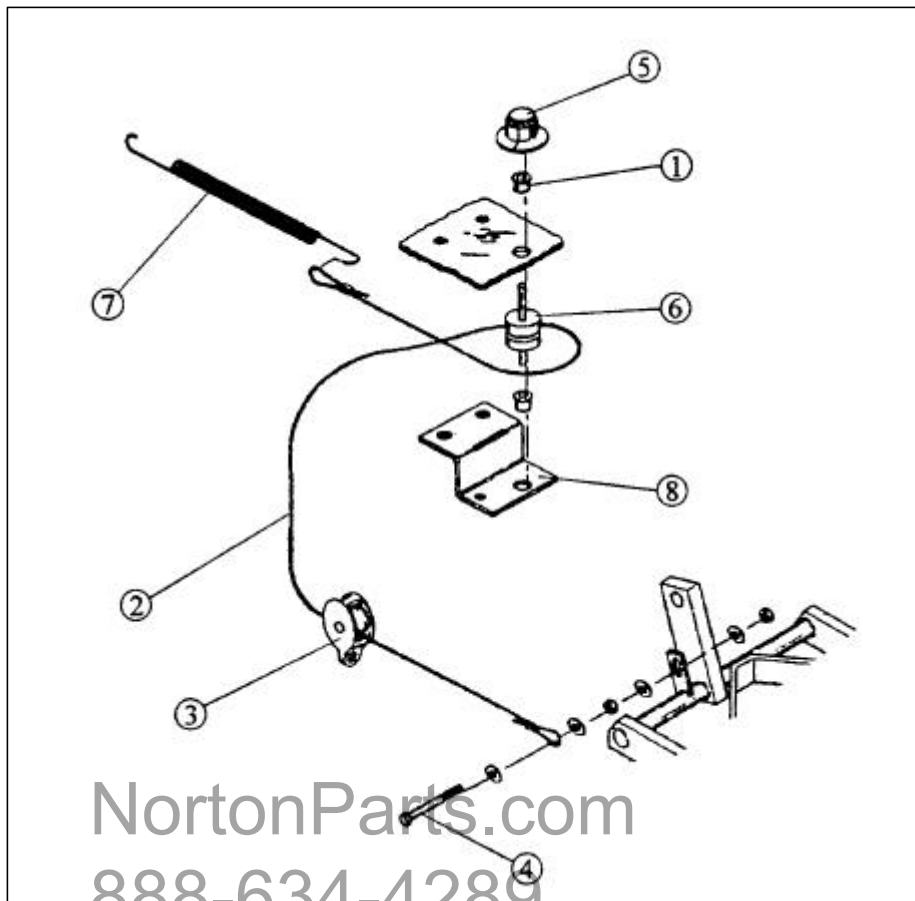
Parts for Rear Axle

✓ITEM	PART	DESCRIPTION
1	P100486	Adjust. bolt 1/2 x 4 1/2 full thread
2	P110694	Spur gear 80T 1 1/4
3	P110714	Key 3/8 x 13/4
4	P110715	Key 3/8 x 2 3/4
5	P110748	Pillow block - TB 1 1/4 (2 reqd)
6	P402951	Axle adjuster
7	P403222	Wheel w/bushing 10 (2 req'd)
8	P416836	Axle shim
9	P416934	Mount angle 1
10	P416935	Mount angle 2
11	P416961	Rear axle



Parts for Depth Control

ITEM	PART	DESCRIPTION
1	P120472	Bushing 3/8 x 1/4 (2 req'd)
2	P152503	Cable Assembly
3	P152086	Cable guide
4	P100018	Bolt 3/8 x 1-1/2 "
5	P152176	Indicator knob
6	P152177	Indicator pulley
7	P152300	Tension spring
8	P403103	Indicator mount



NortonParts.com

888-634-4289

An iBuy Stores Company

clipper

Gauges and Misc. Parts

✓ITEM	PART	DESCRIPTION
1	P416856	Cable mount
2	P110595	Amp gauge (35 & 65 HP)
3	P110701	Ignition switch (not shown)
4	P110816	Switch knob
5	P130184	Hour meter / Tachometer
6	P160823	Decal set
7	P200223	Wear strip [2]
8	P130122	Switch assembly
9	P152025	Univ. bushing 7/8 - (not shown)
10	P152077	Blind cover
11	P152090	Choke cable
12	P403533	Depth knob
13	P152123	Gas cap w/gauge
14	P403504	Securing L-bolt 3/8 (2 req'd)
15	P152288	Throttle cable
16	P153047	Wire Harness Primary
	P153088	Wire Harness Auxiliary Switches
17	P160862	Decal – Instrument panel
18	P404092	Instrument enclosure

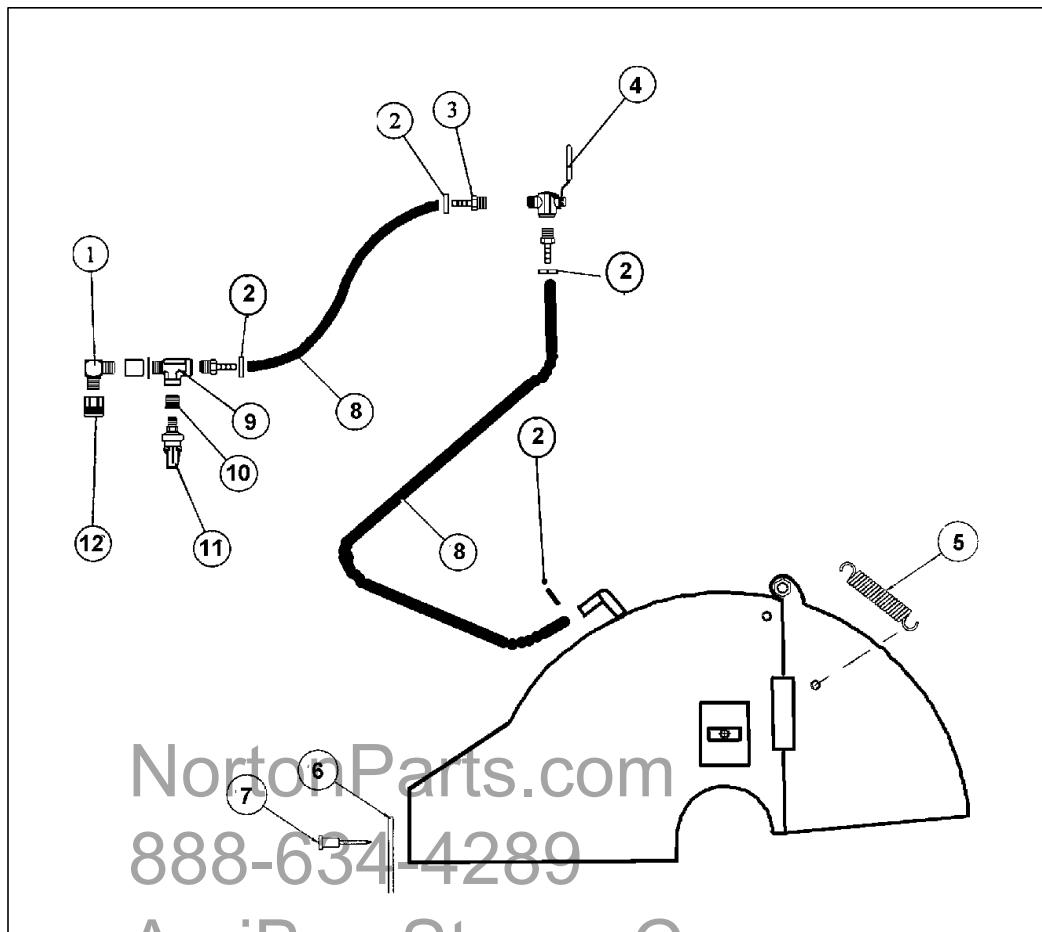


NortonParts.com
888-634-4289

An iBuy Stores Company

Parts for Blade Guard and Water System

✓ITEM	PART	DESCRIPTION
1	P170618	Elbow, male 8MP x 8MT - 90'
2	P152161	Hose clamp # 6 (4 req'd)
3	P120453	Hose barb 8NT x 6HB (3 req'd)
4	P120641	Ball valve 1/2 x 90'
5	P110761	Return spring
6	P152257	Spray flap
7	P100522	Rivet 3/16 (2 reqd)
8	P120435	Water hose 3/8
9	P170019	Tee, pipe 8NT@ x 8FP x 817P
10	P120384	Bushing, hex 1/2 x 1/8
11	P130126	Water safety switch
12	P120508	Hose coupling w/gasket
	Part # P404132 14"	Blade Guard Assembly
	Part # P404133 18"	Blade Guard Assembly
	Part # P404134 26"	Blade Guard Assembly
	Part # P404135 30"	Blade Guard Assembly



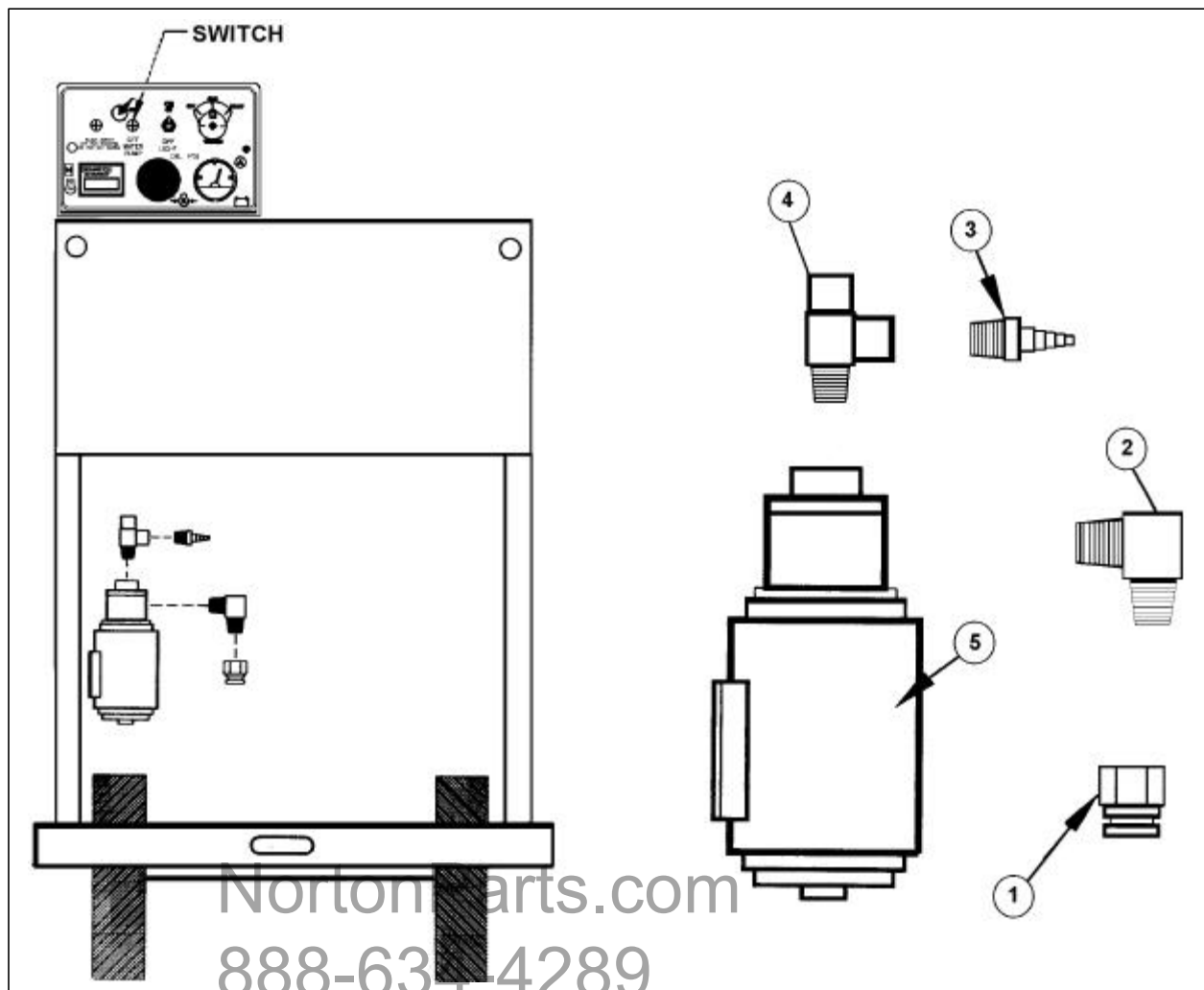
NortonParts.com
888-634-4289

An iBuy Stores Company

clipper

Electric Water Pump Option - Part # 107844

✓ITEM	PART	DESCRIPTION
1	P120507	Hose coupler x 3/4
2	P170434	Hyd. elbow 3/4 - 90
3	P120458	Barb. connector 3/4 - 90
4	P120454	Barb. connector 1/2 x 3/4
5	P152158	Hose clamp #12 (2 req'd)
6	P120572	Water hose 3/4
7	107844	Water pump 12VDC
9	P418083	Spacer (not shown)
11	P130122	Switch



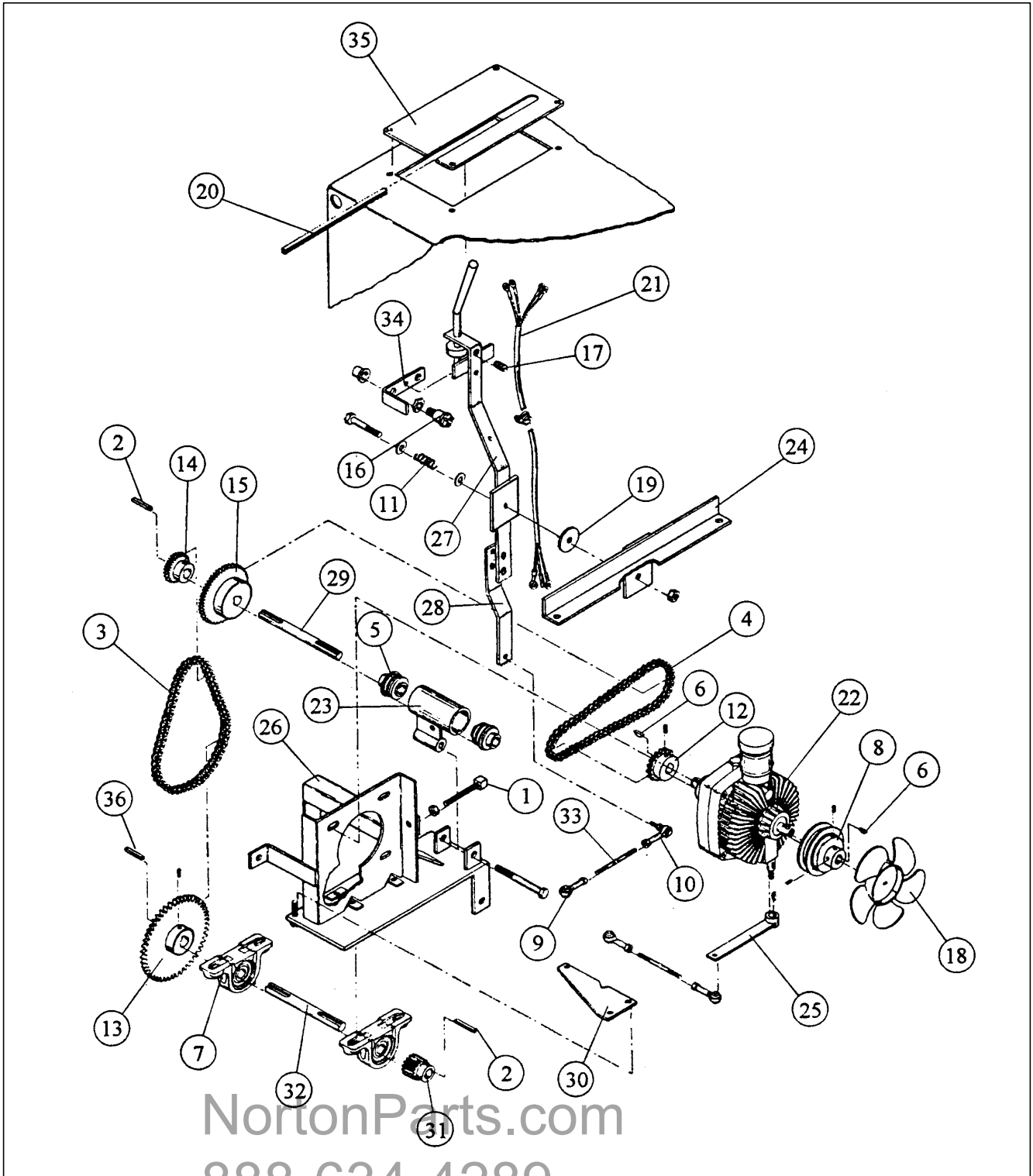
Norton Parts.com
888-634-4289

An iBuy Stores Company

Parts for Drive Assembly

✓ITEM	PART #	DESCRIPTION
1	P100482	Sq. head set screw 3/8 x 2
2	P110091	Key 3/16 x 1 1/2 (2 req'd w/dbl reduction)
3	P110571	Chain #40 x 29
5	P110602	Bearing ER12
6	P110516	Key 1/8 x 1/2 Woodruff (2 req'd)
7	P110738	Pillow block 3/4 (2 req'd)
8	P110757	Transmission pulley
9	P110763	Rod end F
10	P110764	Rod end M
11	P110799	Friction spring
12	P110805	Trans. sprocket 4015
13	P110806	Sprocket 4045
14	P110808	Sprocket 40B 14
15	P110811	Sprocket 40B28
16	P152058	Push button switch (2 req'd)
17	P152070	Ball plunger 1/2
18	P152109	Transmission fan
19	P152116	Friction washer
20	P200323	Wear strip x 8.75 (2 req'd)
21	P152299	Wire harness
22	P170374	Hyd. transmission
23	P402958	Bearing housing
24	P403010	Control mount
25	P403032	Directional control arm
26	P403100	Transmission frame
27	P404091	Speed control arm
28	P416566	Arm extension
29	P416669	Jack shaft
30	P416841	Bell crank
31	P416876	Drive gear* 15T
32	P416886	Gear shaft
33	P416925	Linkage rod
34	P417007	Switch mount
35	P417053	Control cover
36	P110090	Key 33/16 x 1
37	P152839	Foam Grip

Parts for Drive Assembly



NortonParts.com

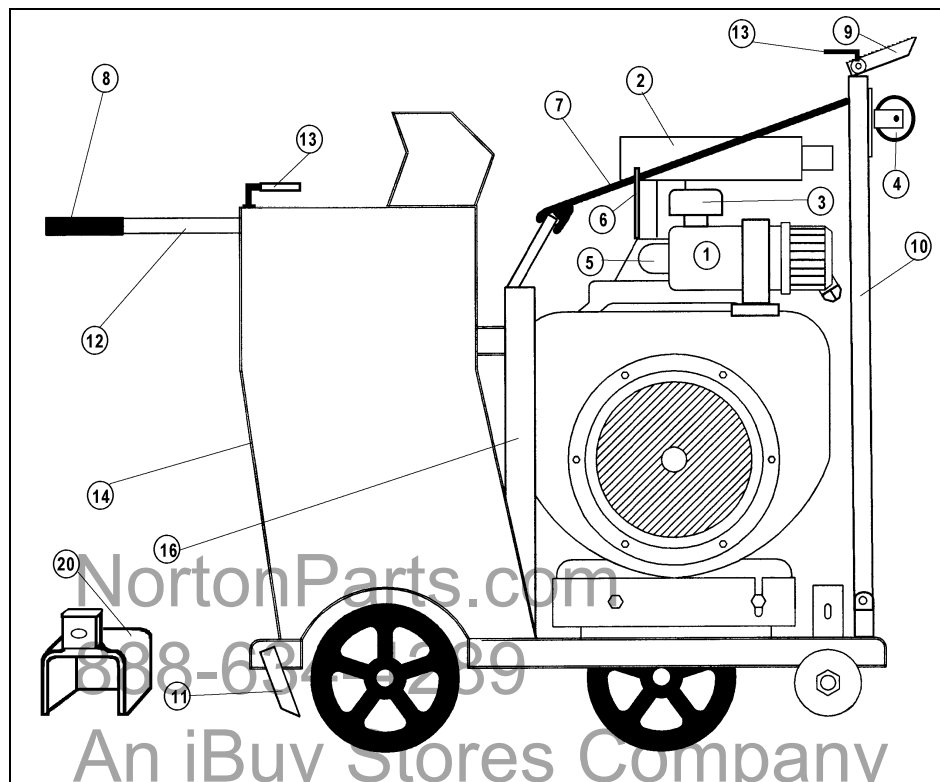
888-634-4289

An iBuy Stores Company

clipper

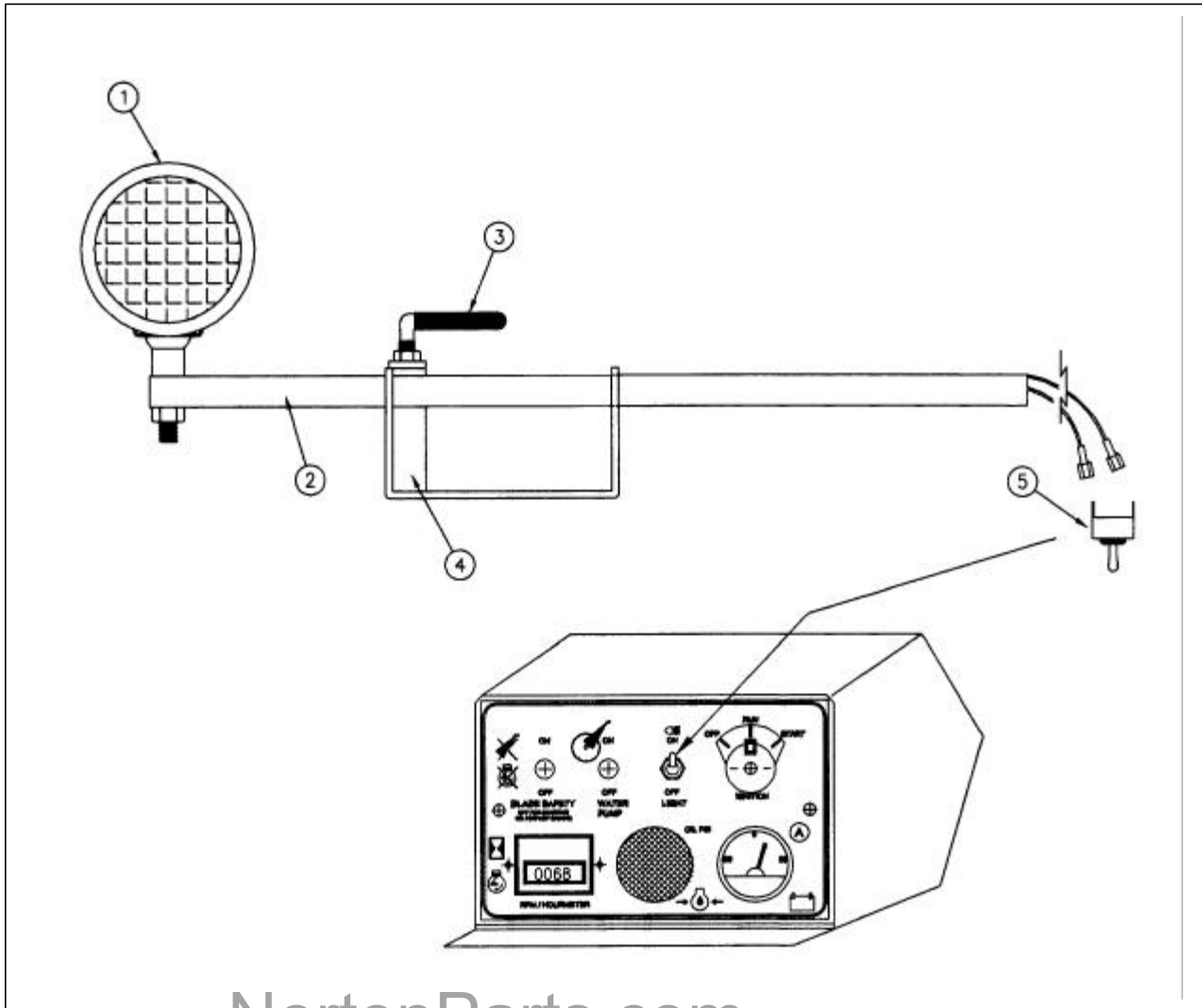
Miscellaneous Parts

✓ITEM	PART #	DESCRIPTION
1	P111028	Air cleaner
	P111001	Air filter element OUTER
2	P110724	Muffler 35 WD-72
3	P111030	Pre-cleaner (35 HP)
4	P140323	Caster wheel 3
5	P152648	Connection hose 3 5
6	P404125	Pulley 5/16 rope (2 reqd)
7	P152233	5/16 Nylon rope
8	P152304	Handle grip 1 (2 req'd)
9	P403077	Guide adjuster.
10	P404071	Guide frame
11	P403153	Rear line pointer
12	P416966	Retractable handle
13	P403504	Securing L bolt 3/8
14	P416894	Guard plate
15	P110730	Oil filter 35 (not shown)
16	P404110	Lifting Bail
17	P150212	Battery 12V (not shown)
18	P403071	Fuel Tank (35 HP) (not shown)
19	P160823	Decal Kit (not shown)
20	P402942	Arbor Cover (not shown)



Parts for Night Light Assembly - Part # P403126

✓ITEM	PART	DESCRIPTION
1	P152183	Light 12V
2	P416924	Light mount tube
3	P403504	L – Bolt .38
4	P403111	Light mount bracket
5	P130122	Switch Assembly



NortonParts.com

888-634-4289

An iBuy Stores Company

clipper



Construction Products

MAILING ADDRESS

P. O. Box 2898, Gainesville, Ga. 30503
Phone: 800 – 554 – 8003 or 770 –967 – 3954
FAX: 800 – 443 – 1092 or 770 – 967 – 4287

SHIPPING ADDRESS:

4600 Cantrell Road
Flowery Branch, Georgia 30542

WARNING

Some dust created by power sanding, sawing, grinding, drilling, and other construction activities contains chemicals known to cause cancer, birth defects or other reproductive harm. Some examples of these chemicals are:

- Lead from lead-based paints,
- Crystalline silica from bricks and cement and other masonry products, and
- Arsenic and chromium from chemically-treated lumber.

Your risk from these exposures varies, depending on how often you do this type of work. To reduce your exposure to these chemicals: work in a well ventilated area, and work with approved safety equipment, such as those dust masks that are specially designed to filter out microscopic particles.