

PARTS MANUAL



**MODEL GA-9.7HEA
PORTABLE GENERATOR
(HONDA GX630RVD GASOLINE ENGINE)**

Revision #2 (03/03/22)

THIS MANUAL MUST ACCOMPANY THE EQUIPMENT AT ALL TIMES.

**GA-9.7HEA
60 Hz Portable Generator**

Explanation Of Code In Remarks Column..... 4
Suggested Spare Parts 5

Component Drawings

Nameplate And Decals Assembly 6-7
Generator Assembly 8-9
Control Box Assembly (S/N 5681188 And Below) 10-11
Control Box Assembly (S/N 5681189 And Above) 12-13
Pipe Frame Assembly..... 14-15
Battery Assembly..... 16-17
Engine Service Parts..... 18-19

SUGGESTED SPARE PARTS

GA9.7HEA PORTABLE 60HZ GENERATOR

1 to 3 units

Qty.	P/N	Description
40602201357REGULATOR
40601828508RELAY
20601802137FUSE
20601812529RECEPTACLE, L14-30R
10601811032RECEPTACLE, L6-20R
20601811035RECEPTACLE, L5-30R
10601814013RECEPTACLE, 5-20R
1◆0601870451CIRCUIT BREAKER, 2P, 40A
1◇0601872302CIRCUIT BREAKER, 2P, 35A
1◇0601829301EARTH LEAKAGE RELAY
10601806425CIRCUIT BREAKER, 2P, 30A
10601806036CIRCUIT BREAKER, 2P, 20A
40601806424CIRCUIT BREAKER, 1P, 30A
10601806423CIRCUIT BREAKER, 1P, 20A
1♣0601800699HOUR METER
10601830771IDLE CONTROL SWITCH
10601830799OPERATION SWITCH
10602100102START SWITCH
2A9924800104CAP, FUEL TANK
20605505120FUEL FILTER, TANK
10602125032GAUGE, FUEL
20805083204SUSPENSION RUBBER
2A6415800004SUSPENSION RUBBER

NOTICE

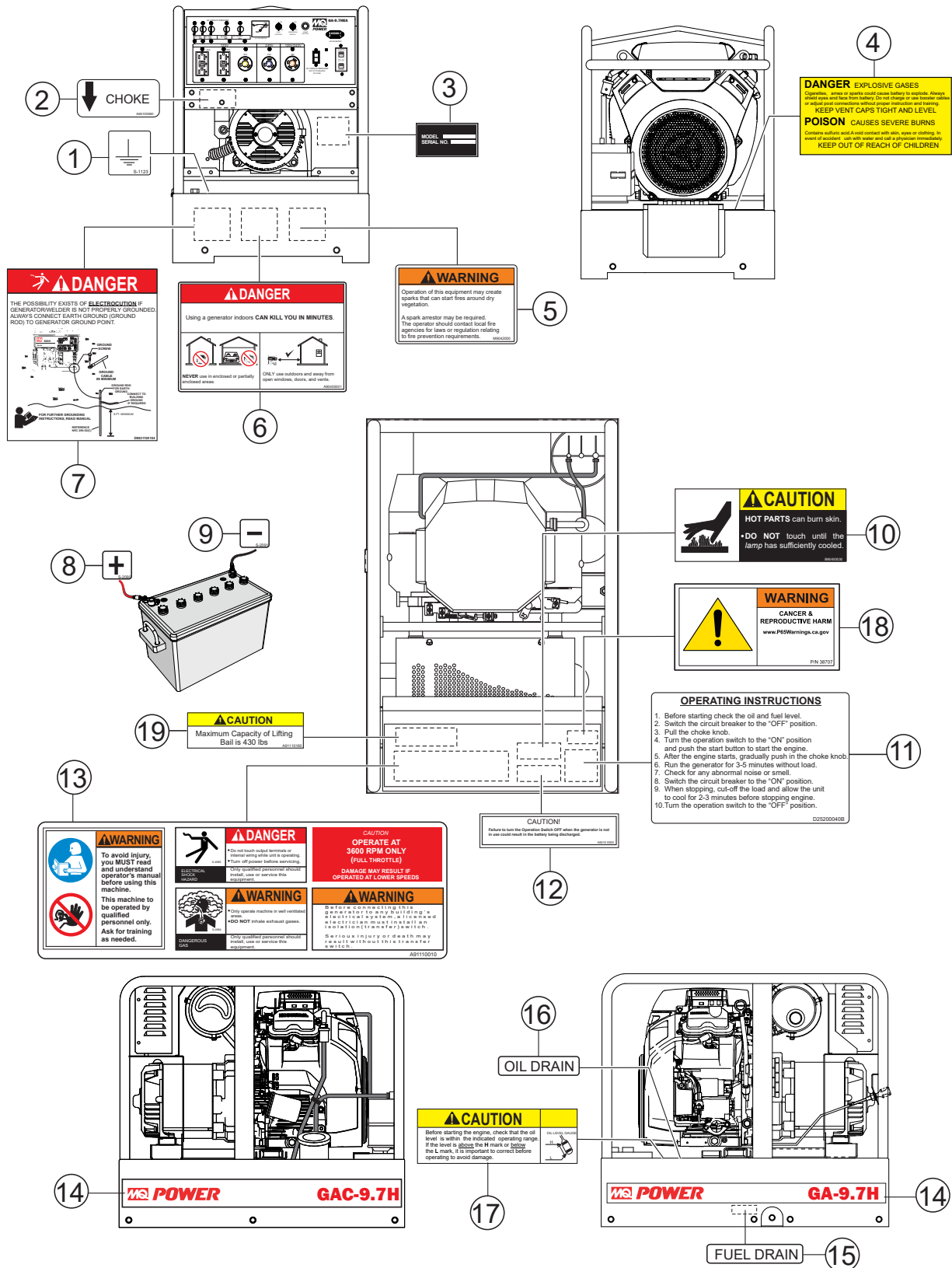
- ◆ S/N 5681188 AND BELOW
- ◇ S/N 5681189 AND ABOVE
- ♣ S/N 5681197 AND ABOVE

HONDA GX630RVD GASOLINE ENGINE

1 to 3 units

3980795587GSPARK PLUG (ZFR5F)
315400PLMA01PEOIL FILTER CARTRIDGE
31728Z6L0001AIR FILTER OUTER, FOAM
135480Z6L003SWITCH ASSY., OIL LEVEL
216910Z6L003IN-LINE FUEL FILTER

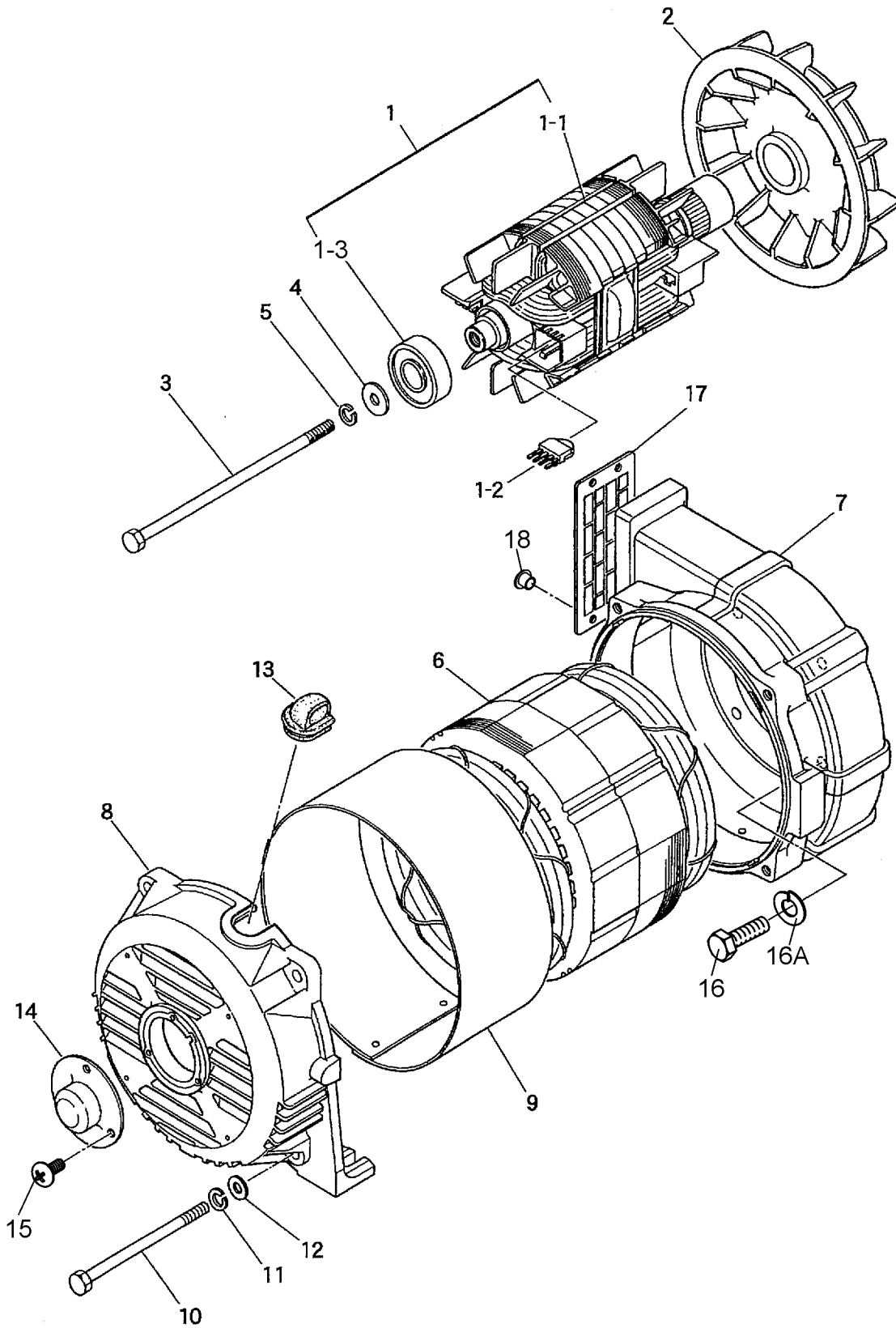
GA9.7HEA — NAMEPLATE AND DECALS ASSY.



GA9.7HEA — NAMEPLATE AND DECALS ASSY.

<u>NO.</u>	<u>PART NO.</u>	<u>PART NAME</u>	<u>QTY.</u>	<u>REMARKS</u>
1	W0800628504	DECAL: GROUND	1.....	S-1123
2	A6551000604	DECAL: CHOKE LEVER.....	1.....	A65100060
3		DECAL: NAMEPLATE.....	1.....	CONTACT MQ PARTS DEPT.
4	W0820650604	DECAL: CAUTION BATTERY	1	
5	M9504200004	DECAL: WARNING, START FIRES	1.....	M90420000
11	A9504000014	DECAL: DANGER, CARBON MONOXIDE	1.....	A90400001
7	D9531100104	DECAL: DANGER, ELECTROCUTION	1.....	D93110010
8	W0800689404	DECAL: +	1.....	S-2090
9	W0800689504	DECAL: -	1.....	S-2091
10	B9504000304	DECAL: CAUTION, HOT PARTS	1.....	B90400030
11	D2552000404	DECAL: OPERATING INSTRUCTIONS.....	1.....	D25200040B
12	A6551000504	DECAL: OPERATION SWITCH	1.....	A65100050
13	A9511100103	DECAL: WARNING	1.....	A91110010
			1	S/N 5749946 AND BELOW
13	A9511100113	DECAL: WARNING	1.....	A91110011
				S/N 5749947 AND ABOVE
14	A6561000903	DECAL: MQ POWER, GA-9.7H	2	
15	W7810680104	DECAL: FUEL DRAIN.....	1.....	S-3060
16	W1630645004	DECAL: OIL DRAIN	1.....	S-1403
17	W8700611524	DECAL: CAUTION, OIL LEVEL GAUGE	1.....	S-4926B
18	A9511101304	DECAL: WARNING PROPOSITION 65	1.....	A91110130
				S/N 5822490 AND ABOVE
19	A9511101604	DECAL: CAUTION	1.....	A91110160
				S/N 5845251 AND ABOVE

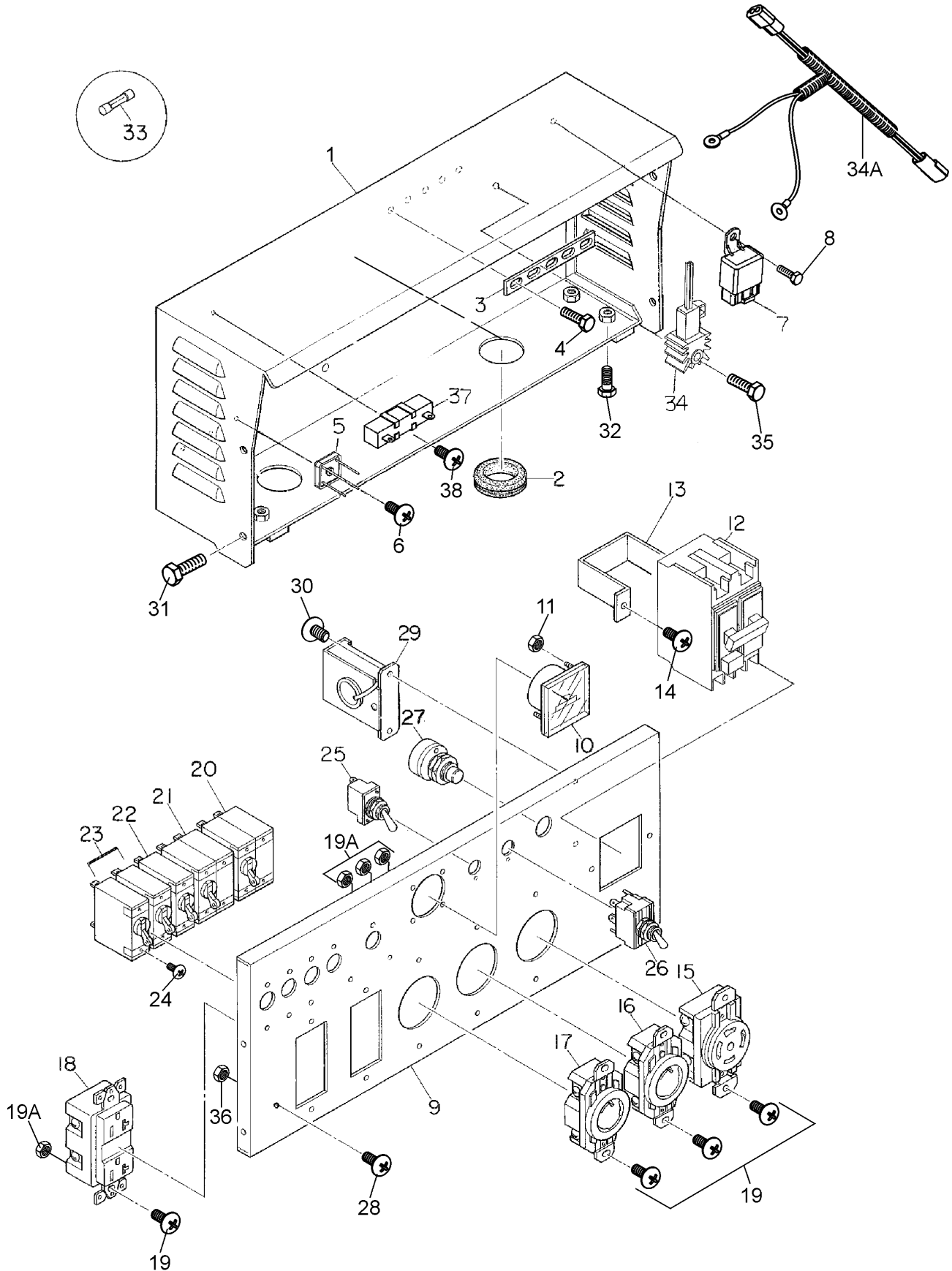
GA9.7HEA — GENERATOR ASSY.



GA9.7HEA — GENERATOR ASSY.

<u>NO.</u>	<u>PART NO.</u>	<u>PART NAME</u>	<u>QTY.</u>	<u>REMARKS</u>
1	A6110200103	ROTOR ASSY.....	1.....	INCLUDES ITEMS W/#
1-1#		FIELD ASSY.....	1.....	NOT SOLD SEPARATELY
1-2#	7871025004	RECTIFIER	2	
1-3#	0071206304	BEARING	1	
2	A6113100004	FAN.....	1.....	S/N 5884919 AND BELOW
2	A6112100103	FAN.....	1.....	S/N 5884920 AND ABOVE
3	A6113400004	SET BOLT, ROTOR	1	
4	0801086104	SET WASHER BEARING	1	
5	0040010000	WASHER, LOCK	1	
6	A6136000103	ARMATURE ASSY.....	1.....	S/N 5681188 AND BELOW
6	A6135000503	ARMATURE ASSY.....	1.....	S/N 5681189 AND ABOVE
7	A6155100102	END BRACKET	1	
8	A6155000002	END BRACKET	1	
9	A6133300003	COVER, STATOR	1	
10	A6133500004	SET BOLT, STATOR	4	
11	0040008000	WASHER, LOCK	4	
12	0401450080	WASHER, FLAT.....	4.....	REPLACES P/N 0041208000
13	7871329514	GROMMET	1	
14	A6155400104	COVER, BEARING	1	
15	0027105012	MACHINE SCREW	3	
16	Y0343903025	HEX, HEAD BOLT	4	
16A	0040008000	WASHER, LOCK	4	
17	A6155400204	COVER	1	
18	R060500801A	RIVET	4	

GA9.7HEA — CONTROL BOX ASSY. (S/N 5681188 AND BELOW)



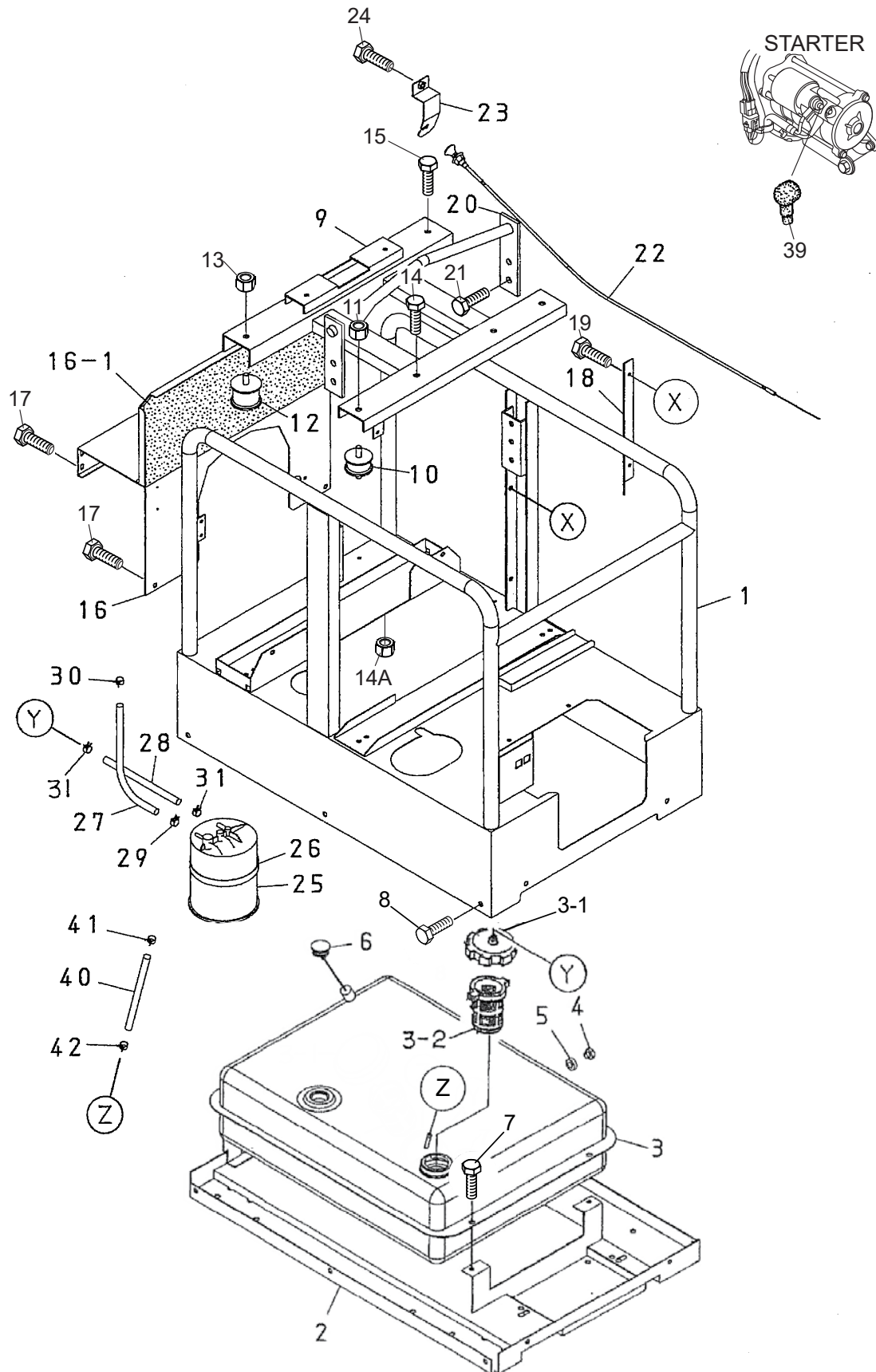
GA9.7HEA — CONTROL BOX ASSY. (S/N 5681188 AND BELOW)

NO.	PART NO.	PART NAME	QTY.	REMARKS
1	A6214000603	CONTROL BOX	1	
2	0601850102	GROMMET	2	
3	8511864601A	TERMINAL PLATE.....	1	REPLACES P/N W8511864604
4	0016906020	HEX, HEAD BOLT	5	
5	0601823204	RECTIFIER	3	
6	0027103020	MACHINE SCREW	3	
7	0601828508	RELAY, DC12V	1	
8	0017106015	HEX HEAD BOLT	1	
9	A6511100402	CONTROL PANEL	1	
10	0601806819	AC VOLTMETER, 120/240V	1	REPLACES P/N 0601800258
11	0207003000	HEX. NUT	2	
12	0601870451	CIRCUIT BREAKER 2P 40A	1	
13	A9121000304	BRACKET, CIRCUIT BREAKER	1	
14	0027404010	MACHINE SCREW	2	
15	0601812529	RECEPTACLE, L14-30R 125/250V, 30A	1	
16	0601811032	RECEPTACLE, L6-20R 250V, 20A	1	
17	0601811031	RECEPTACLE, L5-30R125V, 30A	1	REPLACES P/N 0601811035
18	0601814024	RECEPTACLE, 5-20R GF20LA 120V, 20A.....	2	REPLACES P/N 0601814013
19	0021004010	MACHINE SCREW	10	
19A	OEMAA8	HEX. NUT	10	REPLACES P/N 0207004000
20	0601806425	CIRCUIT BREAKER 2P, 250V @ 30A	1	
21	0601806036	CIRCUIT BREAKER 2P, 250V @ 20A	1	
22	0601806424	CIRCUIT BREAKER 1P, 250V @ 30A	1	
23	0601806423	CIRCUIT BREAKER 1P, 250V @ 20A	2	
24	0027103005	MACHINE SCREW	10	
25	0601830771	IDLE CONTROL SWITCH	1	
26	0601830799	OPERATION SWITCH	1	
27	0602100102	START SWITCH	1	
28	0021004015	MACHINE SCREW	1	
29	0601823853	IDLE CONTROL DEVICE	1	
30	0021004010	MACHINE SCREW	2	
31	Y0016905012	HEX. HEAD BOLT	4	
32	0016906020	HEX. HEAD BOLT	4	
33	0601802137	FUSE, 10A @ 250V	2	
34	0602201357	REGULATOR, 14.5V	1	
34A	0602202480	HARNESS, REGULATOR RECTIFIER	1	
35	0017106035	HEX. HEAD BOLT	1	
36	OEMAA8	HEX NUT	2	REPLACES P/N 0207004000
37	0601842506	RESISTOR 20W, 50Ω	1	
38	0027103010	MACHINE SCREW	1	

GA9.7HEA — CONTROL BOX ASSY. (S/N 5681189 AND ABOVE)

NO.	PART NO.	PART NAME	QTY.	REMARKS
1	A6214000613	CONTROL BOX	1	
2	0601850102	GROMMET	2	
3	8511864601A	TERMINAL PLATE.....	1.....	REPLACES P/N W8511864604
4	0016906020	HEX, HEAD BOLT	5	
5	0601823204	RECTIFIER	3	
6	0027103020	MACHINE SCREW	3	
7	0601828508	RELAY, DC12V	1	
8	0017106015	HEX HEAD BOLT	1	
9	A6511100602	CONTROL PANEL.....	1.....	S/N 5681189 ~5741196
9	A6511100612	CONTROL PANEL.....	1.....	S/N 5741197 AND ABOVE
10	0601806819	AC VOLTMETER, 120/240V	1.....	REPLACES P/N 0601800258
11	0207003000	HEX. NUT	2	
15	0601812529	RECEPTACLE, L14-30R 125/250V, 30A	1	
16	0601811032	RECEPTACLE, L6-20R 250V, 20A	1	
17	0601811031	RECEPTACLE, L5-30R125V, 30A	1.....	REPLACES P/N 0601811035
18	0601814065	RECEPTACLE, 5-20R DR20,120V, 20A	2	
19	0021004010	MACHINE SCREW	10	
19A	OEMAA8	HEX. NUT	10.....	REPLACES P/N 0207004000
20	0601806425	CIRCUIT BREAKER 2P, 250V @ 30A	1	
21	0601806036	CIRCUIT BREAKER 2P, 250V @ 20A	1	
22	0601806424	CIRCUIT BREAKER 1P, 250V @ 30A	1	
23	0601806423	CIRCUIT BREAKER 1P, 250V @ 20A	2	
24	0027103005	MACHINE SCREW	10	
25	0601830771	IDLE CONTROL SWITCH	1	
26	0601830799	OPERATION SWITCH	1	
27	0602100102	START SWITCH	1	
28	0021004015	MACHINE SCREW	1	
29	0601823853	IDLE CONTROL DEVICE	1	
30	0021004010	MACHINE SCREW	2	
31	Y0016905012	HEX. HEAD BOLT	4	
32	0016906020	HEX. HEAD BOLT	4	
33	0601802137	FUSE, 10A @ 250V	2	
34	0602201357	REGULATOR, 14.5V	1	
34A	0602202480	HARNESS, REGULATOR RECTIFIER	1	
35	0017106035	HEX. HEAD BOLT	1	
36	OEMAA8	HEX NUT	2.....	REPLACES P/N 0207004000
37	0601842506	RESISTOR 20W, 50Ω	1	
38	0027103010	MACHINE SCREW	1	
39	0601815758	TERMINAL BOARD.....	1.....	S/N 5681189 AND ABOVE
39A	D9522000804	DECAL, SYMBOL MARK.....	1.....	S/N 5681189 AND ABOVE
40	0027104020	MACHINE SCREW.....	2.....	S/N 5681189 AND ABOVE
41	0601829301	EARTH LEAKAGE RELAY.....	1.....	S/N 5681189 AND ABOVE
42	0601872302	CIRCUIT BREAKER, 125V, 35A 2P	1.....	S/N 5681189 AND ABOVE
43	0021003005	MACHINE SCREW.....	4.....	S/N 5681187 AND ABOVE
44	0601800699	HOUR METER.....	1.....	S/N 5741197 AND ABOVE
45	0021003012	MACHINE SCREW.....	2.....	S/N 5741197 AND ABOVE
45A	0207003000	HEX NUT	2.....	S/N 5741197 AND ABOVE

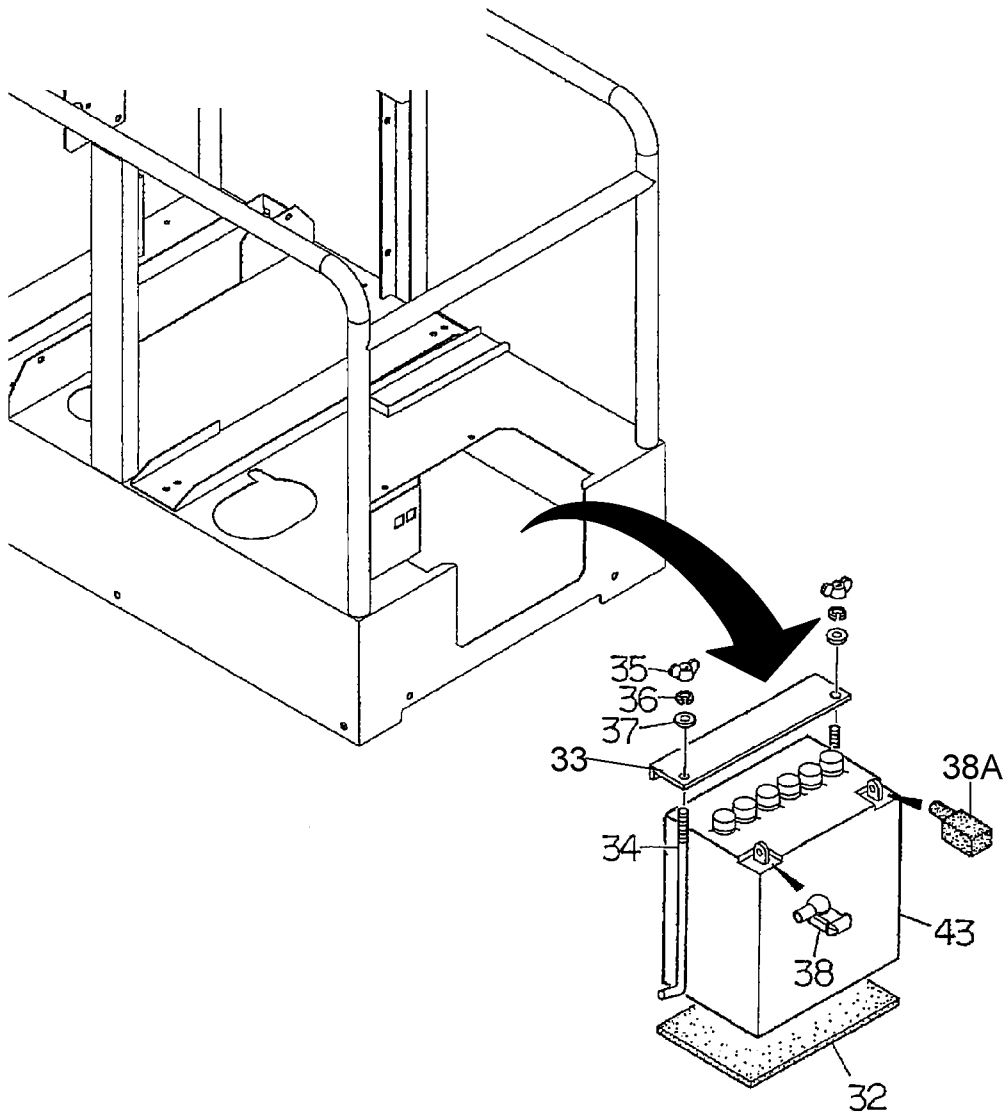
GA9.7HEA — PIPE FRAME ASSY.



GA9.7HEA — PIPE FRAME ASSY.

<u>NO.</u>	<u>PART NO.</u>	<u>PART NAME</u>	<u>QTY.</u>	<u>REMARKS</u>
1	A6417000102	PIPE FRAME	1	
2	A6414100103	FLOOR PANEL	1	
3	A6361000204	FUEL TANK.....	1.....	INCLUDES ITEMS W/ # S/N 5863763 AND BELOW
3	A6361000214	FUEL TANK.....	1.....	INCLUDES ITEMS W/ % S/N 5863764 AND ABOVE
3-1#	A9924800104	CAP, FUEL TANK.....	1.....	S/N 5863763 AND BELOW
3-1%	A2361000304	CAP, FUEL TANK.....	1.....	S/N 5863764 AND ABOVE
3-2#	0605505120	FUEL FILTER.....	1.....	S/N 5863763 AND BELOW
3-2%	0605505162	FUEL FILTER.....	1.....	S/N 5863764 AND ABOVE
4	3015530004	DRAIN PLUG	1	
5	0150200011	O-RING	1	
6	0602125032	FUEL GAUGE	1	
7	0016908020	HEX. HEAD BOLT	4	
8	0016908020	HEX. HEAD BOLT	11	
9	A6418700123	BASE	1	
10	0805083204	RUBBER SUSPENSION	2	
11	0207010000	HEX. NUT	2	
12	6415800004	RUBBER SUSPENSION	2	
13	0207010000	HEX. NUT	2	
14	Y0012910045	HEX. HEAD BOLT	3	
14A	0207010000	HEX. NUT	3	
15	0012308030	HEX. HEAD BOLT	2	
16	A6424400003	BRACKET	1	
16-1	A6498200004A	LINING.....	1.....	REPLACES P/N A6498200004
17	0016906015	HEX, HEAD BOLT	8	
18	A6418400304	AIR GUIDE	1	
19	0016906015	HEX. HEAD BOLT	2	
20	A6435300003D	HANGER.....	1.....	REPLACES P/N A6435300003 S/N 5845250 AND BELOW
20	A6435300013	HANGER.....	1.....	S/N 5845251 AND ABOVE
21	0017110025	HEX. HEAD BOLT	4	
22	A6355400103	CHOKE CABLE	1	
23	A6355200104	BRACKET	1	
24	0016906015	HEX. HEAD BOLT	1	
25	Y0605507003	CANISTER.....	1.....	S/N 5753978 AND BELOW
25	Y0605507006	CANISTER.....	1.....	S/N 5753979 - 5853763
25	Y0605507011	CANISTER.....	1.....	S/N 5853764 AND ABOVE
26	0605515211	HOSE BAND	1	
27	0605513209	HOSE	1	
28	0605513206	HOSE	1	
29	0605515170	HOSE BAND	1	
30	0605515229	HOSE BAND	1	
31	0605515223	HOSE BAND	2	
39	0602220643	TERMINAL CAP	1	
40	950014500860M	HOSE.....	1.....	REPLACES P/N 0605513143
41	950024105008	HOSE BAND.....	1.....	REPLACES P/N 0605515240
42	0605515093	HOSE BAND	1	

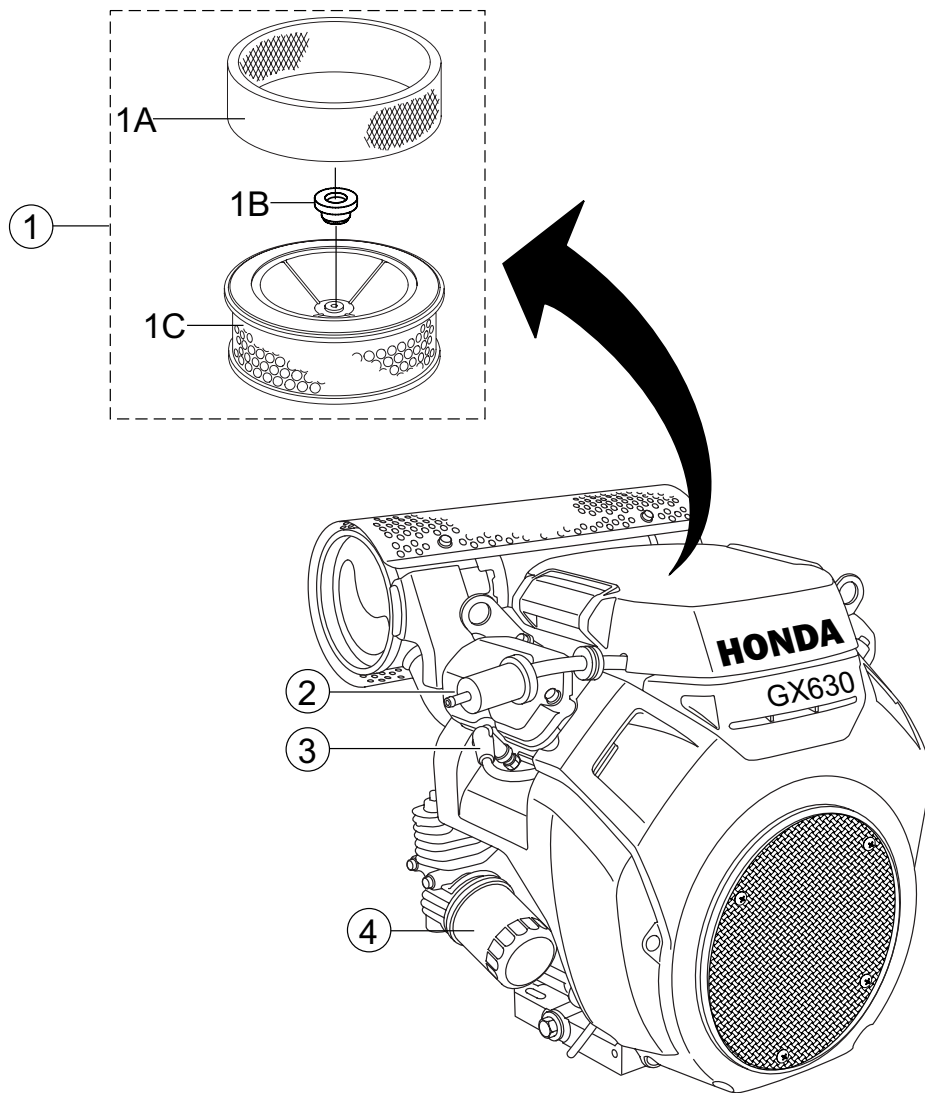
GA9.7HEA — BATTERY ASSY.



GA9.7HEA — BATTERY ASSY.

<u>NO.</u>	<u>PART NO.</u>	<u>PART NAME</u>	<u>QTY.</u>	<u>REMARKS</u>
32	A6345200204	BATTERY SHEET	1	
33	D1343200204	BATTERY BAND	1	
34	0805082704	BATTERY BOLT	2	
35	0037806000	WING NUT	2	
36	0040006000	WASHER, LOCK	2	
37	952404470	WASHER, FLAT	2.....	REPLACES P/N 0041206000
38	0802276803	TERMINAL CAP (RED)	1	
38A	0845041304	TERMINAL CAP (BLK)	1.....	REPLACES P/N 0602220601
43	Y0165103819	BATTERY, 12 VOLT	1.....	NEUTON 38B19R

GA9.7HEA — ENGINE SERVICE PARTS



GA9.7HEA — ENGINE SERVICE PARTS

<u>NO.</u>	<u>PART NO.</u>	<u>PART NAME</u>	<u>QTY.</u>	<u>REMARKS</u>
1	17210Z6L010	AIR FILTER.....	1.....	INCLUDES ITEMS W/ \$
1A\$	17218Z6L0001	AIR FILTER OUTER, FOAM.....	1.....	REPLACES P/N 17218Z6L000
1B\$	17232Z2E000	GROMMET	1	
1C\$		AIR FILTER INNER.....	1.....	NOT SOLD SEPARATELY
2	16910Z6L003	IN-LINE FUEL FILTER	1	
3	980795587GA	SPARK PLUG (ZFR5F).....	1.....	REPLACES P/N 980795587G
4	15400PLMA01PE	OIL FILTER CARTRIDGE.....	1.....	REPLACES P/N 15400RTA004